

LM5117/Q1 具有模拟电流监视器的宽输入范围同步降压控制器

1 特性

- LM5117-Q1 符合汽车级应用要求
- 具有符合 AEC-Q100 标准的下列结果：
 - 器件温度 1 级：-40°C 至 125°C 的环境运行温度范围
- 仿真峰值电流模式控制
- 宽工作电压范围：5.5V 至 65V
- 稳健耐用的 3.3A 峰值栅极驱动
- 自适应死区输出驱动器控制
- 自由运行或同步运行时钟频率最高可达 750kHz
- 可选二极管仿真模式
- 可编程输出（基准电压为 0.8V）
- 精度为 1.5% 的基准电压
- 模拟电流监视器
- 可编程电流限制
- 断续模式过流保护
- 可编程软启动和跟踪
- 可编程线路欠压锁定
- 可编程切换至外部偏置电源
- 热关断

2 应用

- 车用信息娱乐
- 工业 DC-DC 电机驱动器
- 汽车 USB 电源
- 电信服务器

3 说明

LM5117 是一款用于由高压或宽变化范围输入电源供电的降压稳压器应用的同步降压控制器。此控制方法基于采用仿真电流斜坡的电流模式控制。电流模式控制可提供内部线路前馈、逐周期电流限制和简化的环路补偿。通过使用仿真电流斜坡可降低脉宽调制电路的噪声灵敏度，从而对高输入电压应用中所需的极小占空比进行可靠控制。

工作频率可在 50kHz 至 750kHz 之间进行编程。

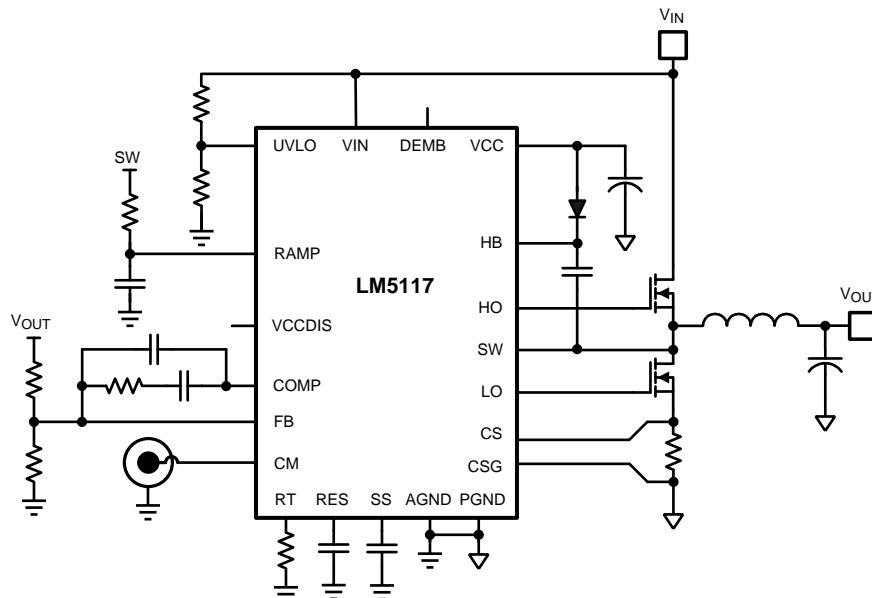
LM5117 使用自适应死区时间控制来驱动外部高侧和低侧 NMOS 功率开关。用户可选二极管仿真模式可实现断续模式运行，从而提高轻负载条件下的效率。凭借高压偏置稳压器，器件可以使用外部偏置电源，从而进一步提高效率。LM5117 具备独特的模拟遥测功能，可提供平均输出电流信息。其他特性包括：热关断、频率同步、断续模式电流限制和可调线路欠压锁定。

器件信息⁽¹⁾

器件型号	封装	封装尺寸（标称值）
LM5117	HTSSOP (20) PWP	6.50mm x 4.40mm
LM5117-Q1	WQFN (24) RTW	4.00mm x 4.00mm

(1) 如需了解所有可用封装，请见数据表末尾的可订购产品附录。

典型应用



目录

1	特性	1	7.3	Feature Description	13
2	应用	1	7.4	Device Functional Modes	21
3	说明	1	8	Application and Implementation	22
4	修订历史记录	2	8.1	Application Information	22
5	Pin Configuration and Functions	3	8.2	Typical Applications	22
6	Specifications	5	8.3	Detailed Design Procedure	22
6.1	Absolute Maximum Ratings	5	8.4	Application Curves	32
6.2	ESD Ratings (LM5117)	5	9	Power Supply Recommendations	35
6.3	ESD Ratings (LM5117-Q1)	5	10	Layout	35
6.4	Recommended Operating Conditions	6	10.1	Layout Guideline	35
6.5	Thermal Information	6	11	器件和文档支持	36
6.6	Electrical Characteristics	7	11.1	相关链接	36
6.7	Switching Characteristics	8	11.2	社区资源	36
6.8	Typical Characteristics	9	11.3	商标	36
7	Detailed Description	11	11.4	静电放电警告	36
7.1	Overview	11	11.5	Glossary	36
7.2	Functional Block Diagram	12	12	机械、封装和可订购信息	36

4 修订历史记录

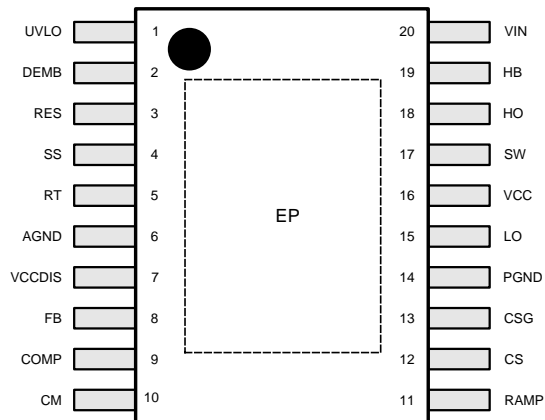
NOTE: Page numbers for previous revisions may differ from page numbers in the current version.

Changes from Revision E (March 2013) to Revision F	Page
• 已添加 器件信息和引脚配置和功能部分, ESD 额定值表, 特性描述, 器件功能模式, 应用和实施, 电源相关建议, 布局, 器件和文档支持以及机械、封装和可订购信息部分	1
• Changed μH into μF	29

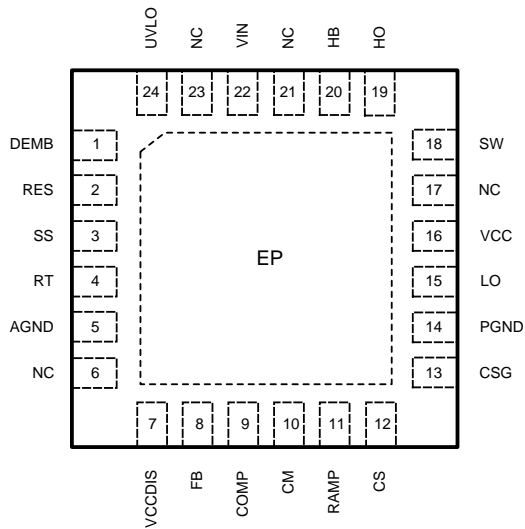
Changes from Revision D (March 2013) to Revision E	Page
• Changed layout of National Data Sheet to TI format	34

5 Pin Configuration and Functions

**PWP Package
20-Pin HTSSOP
Top View**



**RTW Package
24-Pin WQFN
Top View**



Pin Functions

PIN			TYPE ⁽¹⁾	DESCRIPTION
HTSSOP	WQFN	NAME		
1	24	UVLO	I	Undervoltage lockout programming pin. If the UVLO pin voltage is below 0.4 V, the regulator is in the shutdown mode with all functions disabled. If the UVLO pin voltage is greater than 0.4 V and less than 1.25 V, the regulator is in standby mode with the VCC regulator operational, the SS pin grounded, and no switching at the HO and LO outputs. If the UVLO pin voltage is above 1.25 V, the SS pin is allowed to ramp and pulse width modulated gate drive signals are delivered to the HO and LO pins. A 20µA current source is enabled when UVLO exceeds 1.25 V and flows through the external UVLO resistors to provide hysteresis.
2	1	DEMB	I	Optional logic input that enables diode emulation when in the low state. In diode emulation mode, the low-side NMOS is latched off for the remainder of the PWM cycle after detecting reverse current flow (current flow from output to ground through the low-side NMOS). When DEMB is high, diode emulation is disabled allowing current to flow in either direction through the low-side NMOS. A 50-kΩ pull-down resistor internal to the LM5117 holds DEMB pin low and enables diode emulation if the pin is left floating.
3	2	RES	O	The restart timer pin that configures the hiccup mode current limiting. A capacitor on the RES pin determines the time the controller remains off before automatically restarting. The hiccup mode commences when the controller experiences 256 consecutive PWM cycles of cycle-by-cycle current limiting. After this occurs, a 10-µA current source charges the RES pin capacitor to the 1.25 V threshold and restarts LM5117.
4	3	SS	I	An external capacitor and an internal 10-µA current source set the ramp rate of the error amplifier reference during soft-start. The SS pin is held low when VCC < 5 V, UVLO < 1.25 V or during thermal shutdown.
5	4	RT	I	The internal oscillator is programmed with a single resistor between RT and the AGND. The recommended maximum oscillator frequency is 750kHz. The internal oscillator can be synchronized to an external clock by coupling a positive pulse into the RT pin through a small coupling capacitor.
6	5	AGND	G	Analog ground. Return for the internal 0.8 V voltage reference and analog circuits.
7	7	VCCDIS	I	Optional input that disables the internal VCC regulator. If VCCDIS > 1.25 V, the internal VCC regulator is disabled. VCCDIS has an internal 500-kΩ pulldown resistor to enable the VCC regulator when the pin is left floating. The internal 500-kΩ pull-down resistor can be overridden by pulling VCCDIS above 1.25 V with a resistor divider connected to an external bias supply.
8	8	FB	I	Feedback. Inverting input of the internal error amplifier. A resistor divider from the output to this pin sets the output voltage level. The regulation threshold at the FB pin is 0.8 V.
9	9	COMP	O	Output of the internal error amplifier. The loop compensation network should be connected between this pin and the FB pin.
10	10	CM	O	Current monitor output. Average of the sensed inductor current is provided. Monitor directly between CM and AGND. CM should be left floating when the pin is not used.
11	11	RAMP	I	PWM ramp signal. An external resistor and capacitor connected between the SW pin, the RAMP pin and the AGND pin sets the PWM ramp slope. Proper selection of component values produces a RAMP signal that emulates the AC component of the inductor with a slope proportional to input supply voltage.
12	12	CS	I	Current sense amplifier input. Connect to the high-side of the current sense resistor.
13	13	CSG	G	Kelvin ground connection to the current sense resistor. Connect directly to the low-side of the current sense resistor.
14	14	PGND	O	Power ground return pin for low-side NMOS gate driver. Connect directly to the low-side of the current sense resistor.
15	15	LO	P/O/I	Low-side NMOS gate drive output. Connect to the gate of the low-side synchronous NMOS transistor through a short, low inductance path.
16	16	VCC	I/O	Bias supply pin. Locally decouple to PGND using a low ESR/ESL capacitor located as close to controller as possible.
17	18	SW	O	Switching node of the buck regulator. Connect to the bootstrap capacitor, the source terminal of the high-side NMOS transistor and the drain terminal of the low-side NMOS through a short, low inductance path.
18	19	HO	P	High-side NMOS gate drive output. Connect to the gate of the high-side NMOS transistor through a short, low inductance path.

(1) I = Input, O = Output, G = Ground, P = Power

Pin Functions (continued)

PIN			TYPE (1)	DESCRIPTION
HTSSOP	WQFN	NAME		
19	20	HB	P/I	High-side driver supply for the bootstrap gate drive. Connect to the cathode of the external bootstrap diode and to the bootstrap capacitor. The bootstrap capacitor supplies current to charge the high-side NMOS gate and should be placed as close to controller as possible.
20	22	VIN	P/I	Supply voltage input source for the VCC regulator.
EP	EP	EP	-	Exposed pad of the package. Electrically isolated. Should be soldered to the ground plane to reduce thermal resistance.
	6	NC	-	No electrical contact.
	17	NC	-	No electrical contact.
	21	NC	-	No electrical contact.
	23	NC	-	No electrical contact.

6 Specifications

6.1 Absolute Maximum Ratings

over operating free-air temperature range (unless otherwise noted)⁽¹⁾

	MIN	MAX	UNIT
VIN to AGND	-0.3	75	V
SW to AGND	-3.0	75	V
HB to SW	-0.3	15	V
VCC to AGND ⁽²⁾	-0.3	15	V
HO to SW	-0.3	HB + 0.3	V
LO to AGND	-0.3	VCC + 0.3	V
FB, DEMB, RES, VCCDIS, UVLO to AGND	-0.3	15	V
CM, COMP to AGND ⁽³⁾	-0.3	7	V
SS, RAMP, RT to AGND	-0.3	7	V
CS, CSG, PGND, to AGND	-0.3	0.3	V
Storage Temperature, T _{stg}	-55	150	°C
Junction temperature	-40	150	°C

- (1) Stresses beyond those listed under *Absolute Maximum Ratings* may cause permanent damage to the device. These are stress ratings only, which do not imply functional operation of the device at these or any other conditions beyond those indicated under *Recommended Operating Conditions*. Exposure to absolute-maximum-rated conditions for extended periods may affect device reliability.
- (2) See [Application and Implementation](#) when input supply voltage is less than the VCC voltage.
- (3) These pins are output pins. As such they are not specified to have an external voltage applied.

6.2 ESD Ratings (LM5117)

		VALUE	UNIT	
V _(ESD)	Electrostatic discharge	Human-body model (HBM), per ANSI/ESDA/JEDEC JS-001 ⁽¹⁾	±2000	V
		Charged-device model (CDM), per JEDEC specification JESD22- V C101 ⁽²⁾	±750	V

- (1) JEDEC document JEP155 states that 500-V HBM allows safe manufacturing with a standard ESD control process.
- (2) JEDEC document JEP157 states that 250-V CDM allows safe manufacturing with a standard ESD control process.

6.3 ESD Ratings (LM5117-Q1)

		VALUE	UNIT	
V _(ESD)	Electrostatic discharge	Human-body model (HBM), per AEC Q100-002 ⁽¹⁾	±2000	V
		Charged-device model (CDM), per AEC Q100-011	±750	V

- (1) AEC Q100-002 indicates that HBM stressing shall be in accordance with the ANSI/ESDA/JEDEC JS-001 specification.

6.4 Recommended Operating Conditions

over operating free-air temperature range (unless otherwise noted)⁽¹⁾

	MIN	MAX	UNIT
VIN ⁽²⁾	5.5	65	V
VCC	5.5	14	V
HB to SW	5.5	14	V
Junction temperature	-40	125	°C

- (1) *Recommended Operating Conditions* are conditions under which operation of the device is intended to be functional, but does not ensure specific performance limits. For specifications and test conditions see [Electrical Characteristics](#).
- (2) Minimum VIN operating voltage is defined with VCC supplied by the internal HV startup regulator and no external load on VCC. When VCC is supplied by an external source, minimum VIN operating voltage is 4.5 V.

6.5 Thermal Information

THERMAL METRIC ⁽¹⁾		LM5117, LM5117-Q1		UNIT
		PWP (HTSSOP)	RTW (WQFN)	
		20 PINS	24 PINS	
R _{θJA}	Junction-to-ambient thermal resistance	40	40	°C/W
R _{θJC(top)}	Junction-to-case (top) thermal resistance	4	6	°C/W

- (1) For more information about traditional and new thermal metrics, see the *Semiconductor and IC Package Thermal Metrics* application report, [SPRA953](#).

6.6 Electrical Characteristics

Typical limits are for $T_j = 25^\circ\text{C}$ only, represent the most likely parametric norm at $T_j = 25^\circ\text{C}$, and are provided for reference purposes only; minimum and maximum limits apply over the junction temperature range of -40°C to $+125^\circ\text{C}$. Unless otherwise specified, the following conditions apply: $V_{\text{VIN}} = 48\text{ V}$, $V_{\text{VCCDIS}} = 0\text{ V}$, $R_T = 25\text{ k}\Omega$, no load on LO and HO.

PARAMETER		TEST CONDITIONS	MIN	TYP	MAX	UNIT
VIN SUPPLY						
I_{BIAS}	V_{IN} operating current ⁽¹⁾	$V_{\text{SS}} = 0\text{ V}$		4.8	6.2	mA
		$V_{\text{SS}} = 0\text{ V}$, $V_{\text{VCCDIS}} = 2\text{ V}$		0.4	0.55	mA
I_{SHUTDOWN}	V_{IN} shutdown current	$V_{\text{SS}} = 0\text{ V}$, $V_{\text{UVLO}} = 0\text{ V}$		16	40	μA
VCC REGULATOR						
$V_{\text{CC(REG)}}$	VCC regulation	No load	6.85	7.6	8.2	V
	VCC dropout (V_{IN} to VCC)	$V_{\text{VIN}} = 5.5\text{ V}$, No external load		0.05	0.14	V
		$V_{\text{VIN}} = 6\text{ V}$, $I_{\text{CC}} = 20\text{ mA}$		0.4	0.5	V
	VCC sourcing current limit	$V_{\text{VCC}} = 0\text{ V}$	30	42		mA
I_{VCC}	VCC operating current ⁽¹⁾	$V_{\text{SS}} = 0\text{ V}$, $V_{\text{VCCDIS}} = 2\text{ V}$		4	5	mA
		$V_{\text{SS}} = 0\text{ V}$, $V_{\text{VCCDIS}} = 2\text{ V}$, $V_{\text{VCC}} = 14\text{ V}$		5.8	7.3	mA
	VCC undervoltage threshold	VCC rising	4.7	4.9	5.15	V
	VCC undervoltage hysteresis			0.2		V
VCC DISABLE						
	VCCDIS threshold	VCCDIS rising	1.22	1.25	1.29	V
	VCCDIS hysteresis			0.06		V
	VCCDIS input current	$V_{\text{VCCDIS}} = 0\text{ V}$		-20		nA
	VCCDIS pulldown resistance			500		k Ω
UVLO						
	UVLO threshold	UVLO rising	1.22	1.25	1.29	V
	UVLO hysteresis current	$V_{\text{UVLO}} = 1.4\text{ V}$	15	20	25	μA
	UVLO shutdown threshold	UVLO falling	0.23	0.3		V
	UVLO shutdown hysteresis			0.1		V
SOFT START						
I_{SS}	SS current source	$V_{\text{SS}} = 0\text{ V}$	7	10	12	μA
	SS pulldown resistance			13	24	Ω
ERROR AMPLIFIER						
V_{REF}	FB reference voltage	Measured at FB, FB = COMP	788	800	812	mV
	FB input bias current	$V_{\text{FB}} = 0.8\text{ V}$		1		nA
V_{OH}	COMP output high voltage	$I_{\text{SOURCE}} = 3\text{ mA}$	2.8			V
V_{OL}	COMP output low voltage	$I_{\text{SINK}} = 3\text{ mA}$			0.26	V
A_{OL}	DC gain			80		dB
f_{BW}	Unity gain bandwidth			3		MHz
PWM COMPARATOR						
$t_{\text{HO(OFF)}}$	Forced HO Off-time		260	320	440	ns
$t_{\text{ON(MIN)}}$	Minimum HO On-time	$V_{\text{VIN}} = 65\text{ V}$		100		ns
	COMP to PWM comparator offset			1.2		V
OSCILLATOR						
f_{SW1}	Frequency 1	$R_T = 25\text{ k}\Omega$	180	200	220	kHz
f_{SW2}	Frequency 2	$R_T = 10\text{ k}\Omega$	430	480	530	kHz
	RT output voltage			1.25		V
	RT sync positive threshold		2.6	3.2	3.95	V
	Sync pulse width		100			ns

(1) Operating current does not include the current into the R_T resistor.

Electrical Characteristics (continued)

Typical limits are for $T_J = 25^\circ\text{C}$ only, represent the most likely parametric norm at $T_J = 25^\circ\text{C}$, and are provided for reference purposes only; minimum and maximum limits apply over the junction temperature range of -40°C to $+125^\circ\text{C}$. Unless otherwise specified, the following conditions apply: $V_{VIN} = 48\text{ V}$, $V_{VCCDIS} = 0\text{ V}$, $R_T = 25\text{ k}\Omega$, no load on LO and HO.

PARAMETER		TEST CONDITIONS	MIN	TYP	MAX	UNIT
CURRENT LIMIT						
$V_{CS(TH)}$	Cycle-by-cycle sense voltage threshold	$V_{RAMP} = 0\text{ V}$, CSG to CS	106	120	135	mV
	CS input bias current	$V_{CS} = 0\text{ V}$	-100	-66		μA
	CSG input bias current	$V_{CSG} = 0\text{ V}$	-100	-66		μA
	Current sense amplifier gain			10		V/V
	Hiccup mode fault timer			256		Cycles
RES						
I_{RES}	RES Current Source			10		μA
V_{RES}	RES Threshold	RES Rising	1.22	1.25	1.285	V
DIODE EMULATION						
V_{IL}	DEMB input low threshold			2	1.65	V
V_{IH}	DEMB input high threshold		2.95	2.5		V
	SW zero cross threshold			-5		mV
	DEMB input pulldown resistance			50		k Ω
CURRENT MONITOR						
	Current monitor amplifier gain	CS to CM	17.5	20.5	23.5	V/V
	Current monitor amplifier gain	Drift over Temperature	-2	0	2	%
	Zero input offset			25	120	mV
HO GATE DRIVER						
V_{OHH}	HO High-state voltage drop	$I_{HO} = -100\text{ mA}$, $V_{OHH} = V_{HB} - V_{HO}$		0.17	0.3	V
V_{OLH}	HO Low-state voltage drop	$I_{HO} = 100\text{ mA}$, $V_{OLH} = V_{HO} - V_{SW}$		0.1	0.2	V
	HO rise time	C-load = 1000 pF ⁽²⁾		6		ns
	HO fall time	C-load = 1000pF ⁽²⁾		5		ns
I_{OHH}	Peak HO source current	$V_{HO} = 0\text{ V}$, $SW = 0\text{ V}$, $HB = 7.6\text{ V}$		2.2		A
I_{OLH}	Peak HO sink current	$V_{HO} = V_{HB} = 7.6\text{ V}$		3.3		A
	HB to SW undervoltage		2.56	2.9	3.32	V
	HB DC bias current	$HB - SW = 7.6\text{ V}$		65	100	μA
LO GATE DRIVER						
V_{OHL}	LO High-state Voltage Drop	$I_{LO} = -100\text{ mA}$, $V_{OHL} = V_{CC} - V_{LO}$		0.17	0.27	V
V_{OLL}	LO Low-state Voltage Drop	$I_{LO} = 100\text{ mA}$, $V_{OLL} = V_{LO}$		0.1	0.2	V
	LO rise time	C-load = 1000 pF ⁽²⁾		6		ns
	LO fall time	C-load = 1000 pF ⁽²⁾		5		ns
I_{OHL}	Peak LO source current	$V_{LO} = 0\text{ V}$		2.5		A
I_{OLL}	Peak LO sink current	$V_{LO} = 7.6\text{ V}$		3.3		A
THERMAL						
T_{SD}	Thermal shutdown	Temperature rising		165		$^\circ\text{C}$
	Thermal shutdown hysteresis			25		$^\circ\text{C}$

(2) High and low reference are 80% and 20% of the pulse amplitude, respectively.

6.7 Switching Characteristics

over operating free-air temperature range (unless otherwise noted)

PARAMETER		TEST CONDITIONS	MIN	TYP	MAX	UNIT
T_{DLH}	LO fall to HO rise delay	No load		72		ns
T_{DHL}	HO fall to LO rise delay			71		ns

6.8 Typical Characteristics

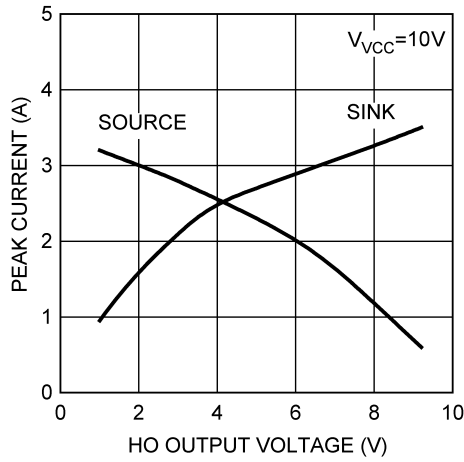


Figure 1. HO Peak Driver Current vs Output Voltage

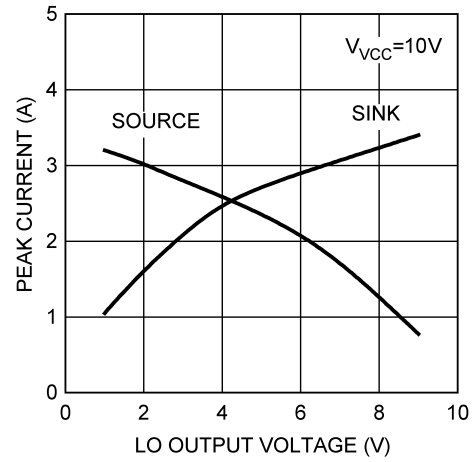


Figure 2. LO Peak Driver Current vs Output Voltage

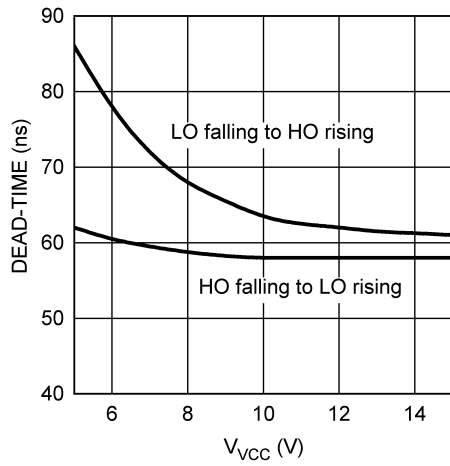


Figure 3. Driver Dead Time vs VCC

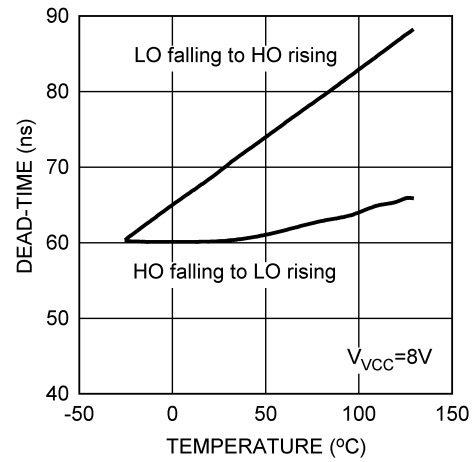


Figure 4. Driver Dead Time vs Temperature

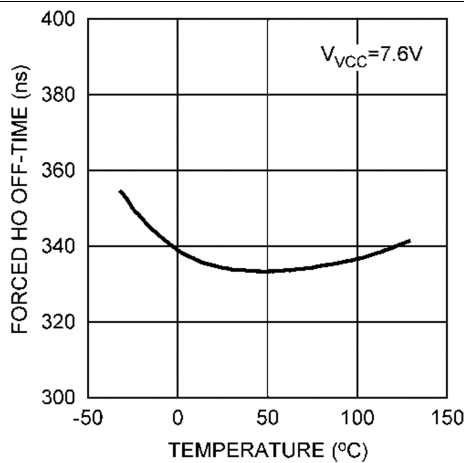


Figure 5. Forced HO Off-time vs Temperature

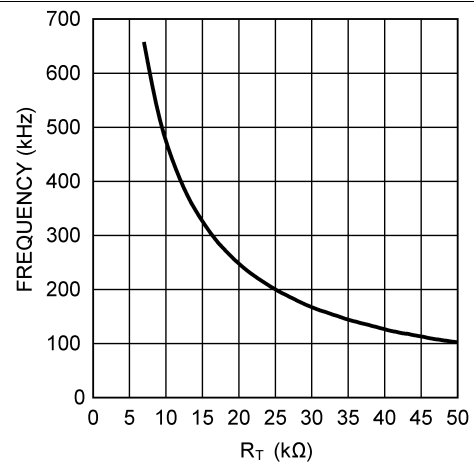


Figure 6. Switching Frequency vs RT

Typical Characteristics (continued)

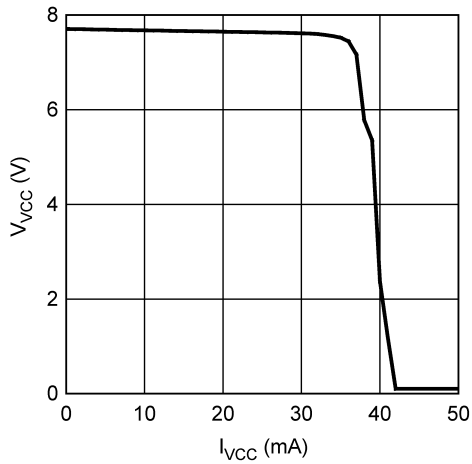


Figure 7. V_{VCC} vs I_{VCC}

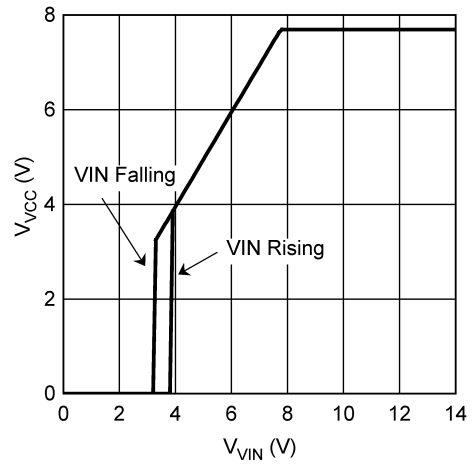


Figure 8. V_{VCC} vs V_{VIN}

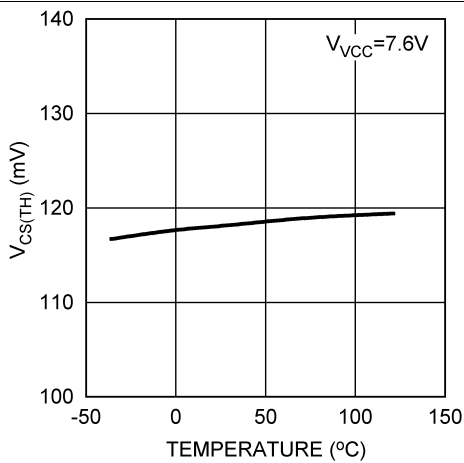


Figure 9. $V_{CS(TH)}$ vs Temperature

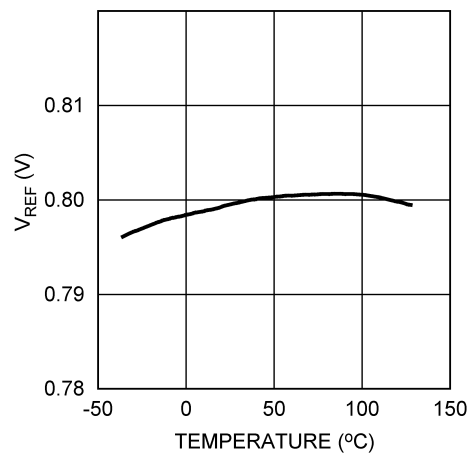


Figure 10. V_{REF} vs Temperature

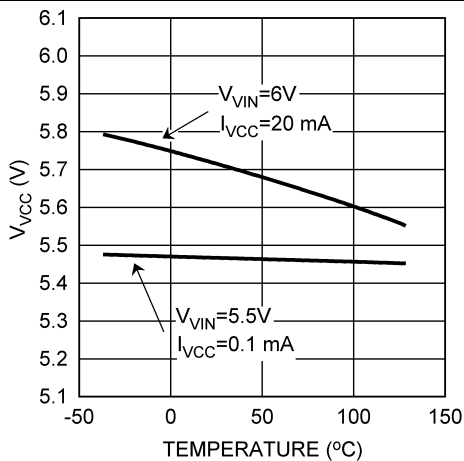


Figure 11. V_{VCC} vs Temperature

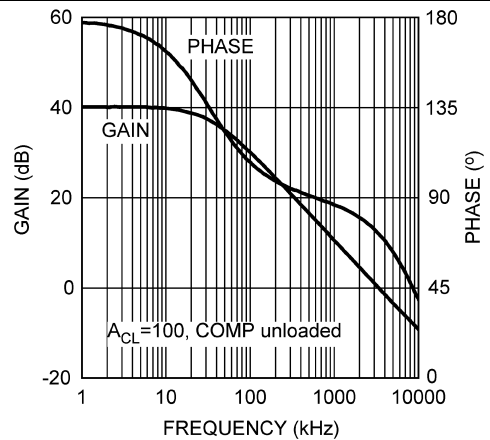
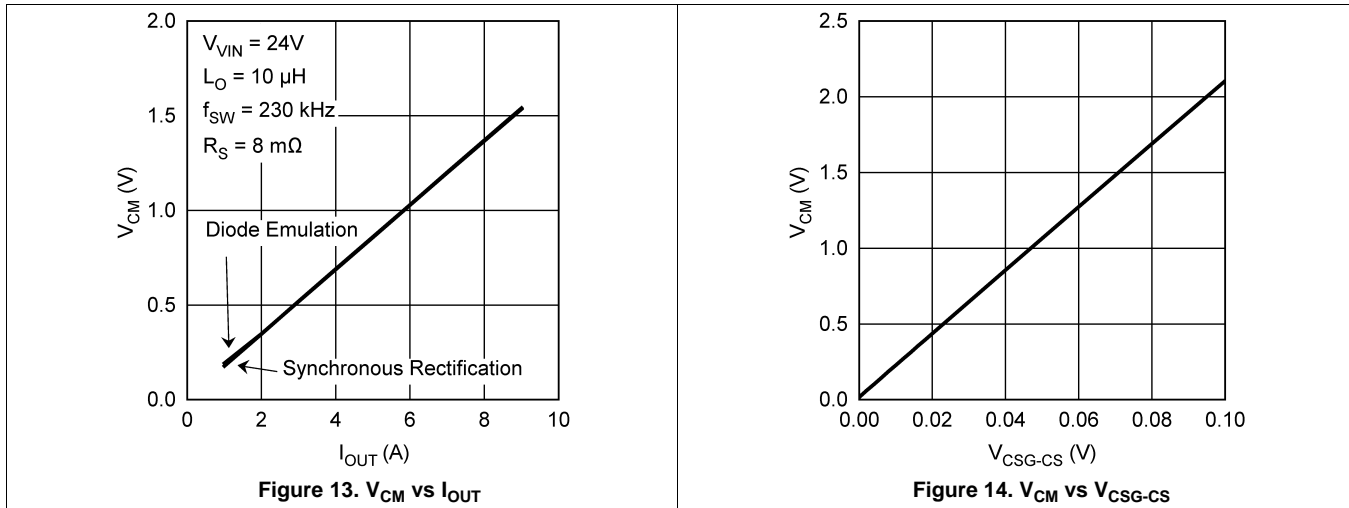


Figure 12. Error Amp Gain and Phase vs Frequency

Typical Characteristics (continued)



7 Detailed Description

7.1 Overview

The LM5117 high voltage switching controller features all of the functions necessary to implement an efficient high voltage buck regulator that operates over a very wide input voltage range. This easy to use controller integrates high-side and low-side NMOS drivers. The regulator control method is based upon peak current mode control utilizing an emulated current ramp. Peak current mode control provides inherent line feed-forward, cycle-by-cycle current limiting and ease of loop compensation. The use of an emulated control ramp reduces noise sensitivity of the PWM circuit, allowing reliable processing of the very small duty cycles necessary in high input voltage applications.

The switching frequency is user programmable up to 750 kHz. The RT pin allows the switching frequency to be programmed by a single resistor or synchronized to an external clock. Fault protection features include cycle-by-cycle and hiccup mode current limiting, thermal shutdown and remote shutdown capability by pulling down UVLO pin. The UVLO input enables the regulator when the input voltage reaches a user selected threshold and provides a very low quiescent shutdown current when pulled low. A unique analog telemetry feature provides averaged output current information, allowing various applications that need either a current monitor or current control. The functional block diagram and typical application circuit of the LM5117 are shown in [Functional Block Diagram](#).

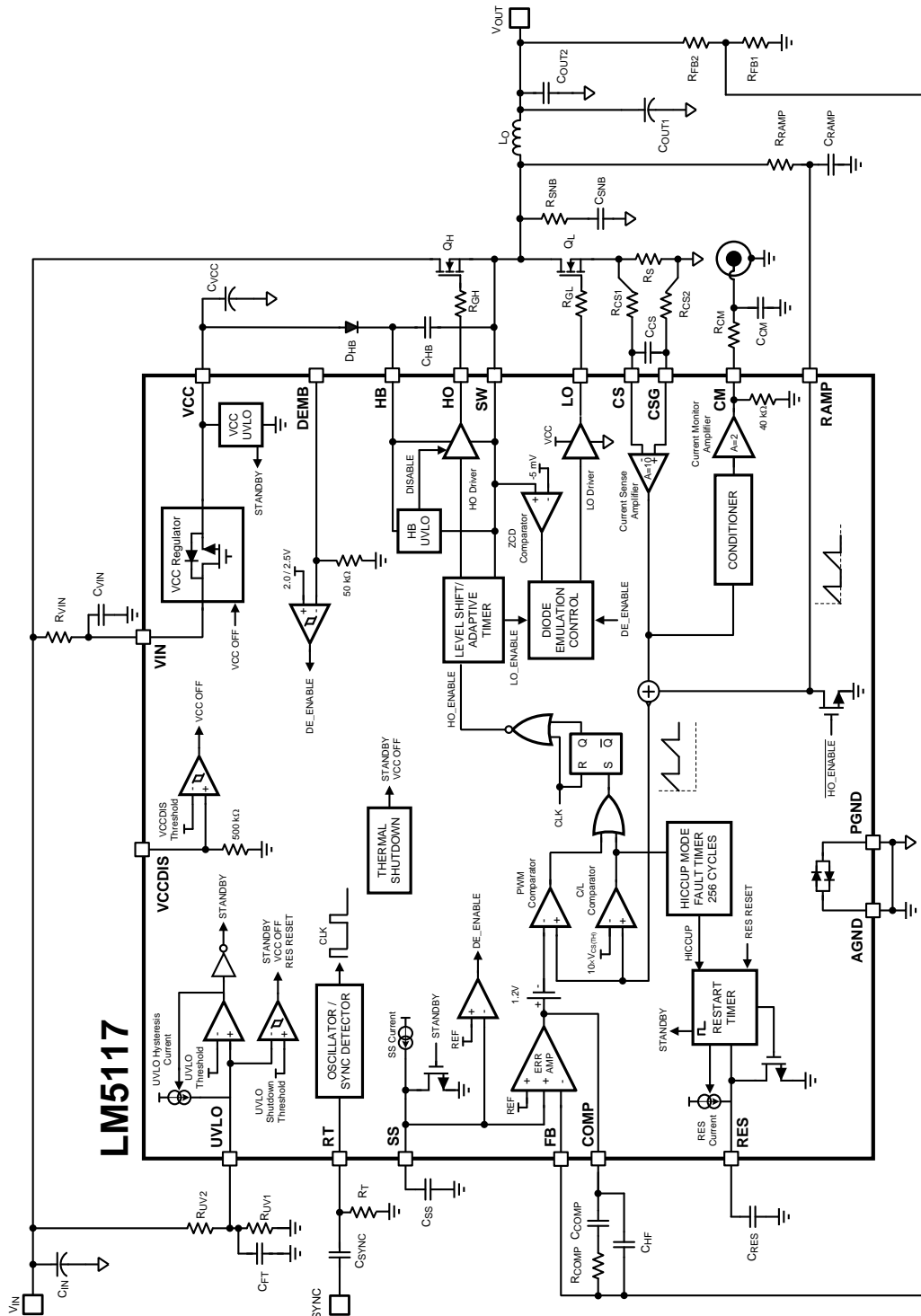
The device is available in a HTSSOP-20 (6.5 mm x 4.4 mm) package, as well as a WQFN-24 (4 mm x 4 mm) package which features an exposed pad to aid in thermal dissipation.

LM5117, LM5117-Q1

ZHCS579F – APRIL 2011 – REVISED AUGUST 2015

www.ti.com.cn

7.2 Functional Block Diagram



7.3 Feature Description

7.3.1 High Voltage Start-up Regulator and VCC Disable

The LM5117 contains an internal high voltage bias regulator that provides the VCC bias supply for the PWM controller and NMOS gate drivers. The VIN pin can be connected to an input voltage source as high as 65 V. The output of the VCC regulator is set to 7.6V. When the input voltage is below the VCC set-point level, the VCC output tracks the VIN with a small dropout voltage. The output of the VCC regulator is current limited at 30mA minimum.

Upon power-up, the regulator sources current into the capacitor connected to the VCC pin. The recommended capacitance range for the pin VCC is 0.47 μ F to 10 μ F. When the VCC pin voltage exceeds the VCC UV threshold and the UVLO pin is greater than UVLO threshold, the HO and LO drivers are enabled and a soft-start sequence begins. The HO and LO drivers remain enabled until either the VCC pin voltage falls below VCC UV threshold, the UVLO pin voltage falls below UVLO threshold, hiccup mode is activated or the die temperature exceeds the thermal shutdown threshold. Enabling/Disabling the IC by controlling UVLO is recommended in most of cases.

An output voltage derived bias supply can be applied to the VCC pin to reduce the controller power dissipation at higher input voltage. The VCCDIS input can be used to disable the internal VCC regulator when external biasing is supplied. The externally supplied bias should be coupled to the VCC pin through a diode, preferably a Schottky diode. If the VCCDIS pin voltage exceeds the VCCDIS threshold, the internal VCC regulator is disabled. VCCDIS has a 500-k Ω internal pull-down resistor to ground for normal operation with no external bias.

The VCC regulator series pass transistor includes a diode between VCC (Anode) and VIN (Cathode) that should not be forward biased in normal operation. If the voltage of the external bias supply is greater than the VIN pin voltage, an external blocking diode is required from the input power supply to the VIN pin to prevent the external bias supply from passing current to the input supply through VCC.

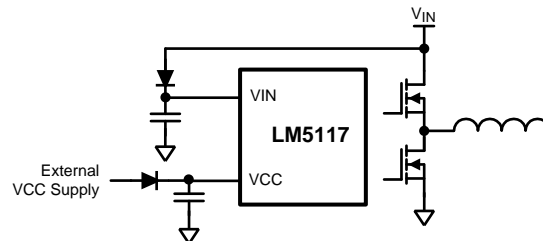


Figure 15. VIN Configuration for $V_{VIN} < V_{VCC}$

For V_{OUT} between 6 V and 14.5 V, the output can be connected directly to VCC through a diode.

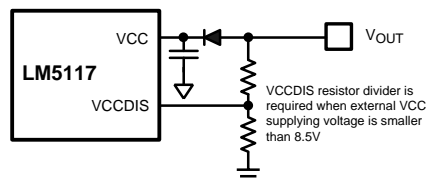


Figure 16. External VCC Supply for $6\text{ V} < V_{OUT} < 14.5\text{ V}$

For $V_{OUT} < 6\text{ V}$, a bias winding on the output inductor can be added to generate the external VCC supply voltage.

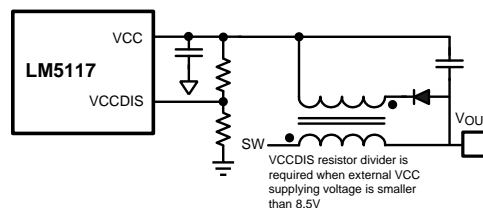


Figure 17. External VCC Supply for $V_{OUT} < 6\text{ V}$

Feature Description (continued)

For $14.5\text{ V} < V_{\text{OUT}}$, the external supply voltage can be regulated by using a series Zener diode from the output to VCC.

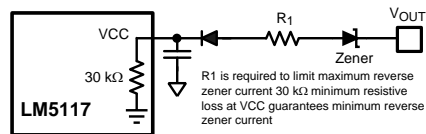


Figure 18. External VCC Supply for $14.5\text{ V} < V_{\text{OUT}}$

In high input voltage applications, extra care should be taken to ensure the VIN pin does not exceed the absolute maximum voltage rating of 75V. During line or load transients, voltage ringing on the VIN that exceeds the Absolute Maximum Rating can damage the IC. Both careful PC board layout and the use of quality bypass capacitors located close to the VIN and AGND pin are essential. Adding an R-C filter (R_{VIN} , C_{VIN}) on VIN is optional and helps to prevent faulty operation caused by poor PC board layout and high frequency switching noise injection. The recommended capacitance and resistance range are $0.1\ \mu\text{F}$ to $10\ \mu\text{F}$ and $1\ \Omega$ to $10\ \Omega$.

7.3.2 UVLO

The LM5117 contains a dual level UVLO (under-voltage lockout) circuit. When the UVLO is less than 0.4 V , the LM5117 is in shutdown mode. The shutdown comparator provides 100 mV of hysteresis to avoid chatter during transitions. When the UVLO pin voltage is greater than 0.4 V but less than 1.25 V , the controller is in standby mode. In the standby mode, the VCC bias regulator is active but the HO and LO drivers are disabled and the SS pin is held low. This feature allows the UVLO pin to be used as a remote shutdown function by pulling the UVLO pin down below 0.4 V with an external open collector or open drain device. When the VCC pin exceeds its under-voltage lockout threshold and the UVLO pin voltage is greater than 1.25 V , the HO and LO drivers are enabled and normal operation begins.

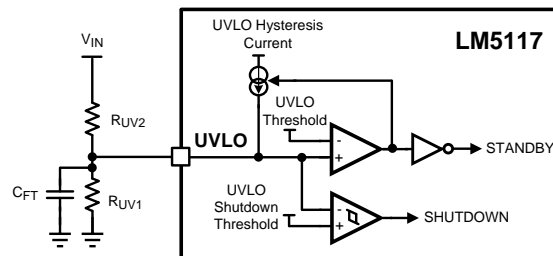


Figure 19. UVLO Configuration

The UVLO pin should not be left floating. An external UVLO set-point voltage divider from the VIN to AGND is used to set the minimum input operating voltage of the regulator. The divider must be designed such that the voltage at the UVLO pin is greater than 1.25 V and never exceeds 15 V when the input voltage is in the desired operating range. If necessary, the UVLO pin can be clamped with a Zener diode.

UVLO hysteresis is accomplished with an internal $20\ \mu\text{A}$ current source that is switched on or off into the impedance of the UVLO set-point divider. When the UVLO pin voltage exceeds the 1.25 V threshold, the current source is enabled to quickly raise the voltage at the UVLO pin. When the UVLO pin voltage falls below the 1.25 V threshold, the current source is disabled causing the voltage at the UVLO pin to quickly fall. The use of a C_{FT} capacitor in parallel with R_{UV1} helps to minimize switching noise injection into UVLO pin, but it may slow down the falling speed of the UVLO pin when the $20\ \mu\text{A}$ current source is disabled. The recommended range for C_{FT} is 10 pF to 220 pF .

Feature Description (continued)

The values of R_{UV1} and R_{UV2} can be determined from the following equations:

$$R_{UV2} = \frac{V_{HYS}}{20 \mu A} [\Omega] \quad (1)$$

$$R_{UV1} = \frac{1.25V \times R_{UV2}}{V_{IN(STARTUP)} - 1.25V} [\Omega]$$

where

- V_{HYS} is the desired UVLO hysteresis and $V_{IN(STARTUP)}$ is the desired start-up voltage of the regulator during turn-on (2)

7.3.3 Oscillator and Sync Capability

The LM5117 switching frequency is programmed by a single external resistor connected between the RT pin and the AGND pin. The resistor should be located very close to the device and connected directly to the RT and AGND pins. To set a desired switching frequency (f_{SW}), the resistor value can be calculated from the following equation:

$$R_T = \frac{5.2 \times 10^9}{f_{SW}} - 948 [\Omega] \quad (3)$$

The RT pin can be used to synchronize the internal oscillator to an external clock. The internal oscillator can be synchronized by AC coupling a positive edge into the RT pin. The voltage at the RT pin is nominally 1.25 V and the voltage at the RT pin must exceed the RT Sync Positive Threshold to trip the internal synchronization pulse detector. A 5 V amplitude pulse signal coupled through a 100-pF capacitor is a good starting point. The frequency of the external synchronization pulse is recommended to be within $\pm 10\%$ of the frequency programmed by the RT resistor but will operate to $+100\%$ /-40% of the programmed frequency. Care should be taken to guarantee that the RT pin voltage does not go below -0.3 V at the falling edge of the external pulse. This may limit the duty cycle of external synchronization pulse.

The R_T resistor is always required, whether the oscillator is free running or externally synchronized.

7.3.4 Ramp Generator and Emulated Current Sense

The ramp signal used in the pulse width modulator for traditional current mode control is typically derived directly from the high-side switch current. This switch current corresponds to the positive slope portion of the inductor current. Using this signal for the PWM ramp simplifies the control loop transfer function to a single pole response and provides inherent input voltage feed-forward compensation.

The disadvantage of using the high-side switch current signal for PWM control is the large leading edge spike due to circuit parasitics that must be filtered or blanked. Minimum achievable pulse width is limited by the filtering, blanking time and propagation delay with a high-side current sensing scheme.

In the applications where the input voltage may be relatively large in comparison to the output voltage, controlling small pulse widths and duty cycles are necessary for regulation. The LM5117 utilizes a unique ramp generator which does not actually measure the high-side switch current but rather reconstructs the signal. Representing or emulating the inductor current provides a ramp signal to the PWM comparator that is free of leading edge spikes and measurement or filtering delays, while maintaining the advantages of traditional peak current mode control.

The current reconstruction is comprised of two elements: a sample-and-hold DC level and the emulated inductor current ramp as shown in [Figure 20](#). The sample-and-hold DC level is derived from a measurement of the recirculating current flowing through the current sense resistor. The voltage across the sense resistor is sampled and held just prior to the onset of the next conduction interval of the high-side switch. The current sense amplifier with a gain of 10 and sample-and-hold circuit provide the DC level of the reconstructed current signal as shown in [Figure 21](#).

Feature Description (continued)

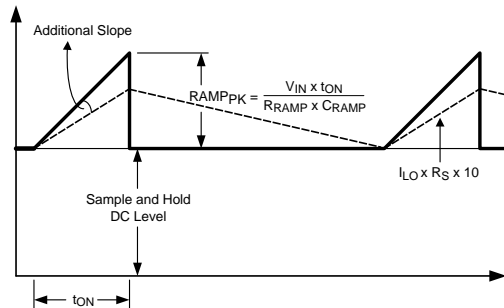


Figure 20. Composition of Emulated Current Sense Signal

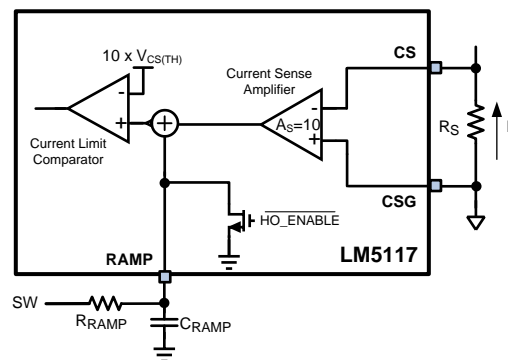


Figure 21. RAMP Generator and Current Limit Circuit

The positive slope inductor current ramp is emulated by C_{RAMP} connected between RAMP and AGND and R_{RAMP} connected between SW and RAMP. R_{RAMP} should not be connected to VIN directly because the RAMP pin absolute maximum voltage rating could be exceeded under high input voltage conditions. C_{RAMP} is discharged by an internal switch during the off-time and must be fully discharged during the minimum off-time. This limits the ramp capacitor to be less than 2 nF. A good quality, thermally stable ceramic capacitor is recommended for C_{RAMP} .

The selection of R_{RAMP} and C_{RAMP} can be simplified by adopting a K factor, which is defined as:

$$K = \frac{L_o}{R_{RAMP} \times C_{RAMP} \times R_S \times A_S}$$

where

- A_S is the current sense amplifier gain which is normally 10 (4)

By choosing 1 as the K factor, the regulator removes any error after one switching cycle and the design procedure is simplified. See [Application and Implementation](#) for detailed information.

7.3.5 Error Amplifier and PWM Comparator

The internal high-gain error amplifier generates an error signal proportional to the difference between the FB pin voltage and the internal precision 0.8-V reference. The output of error amplifier is connected to the COMP pin allowing the user to provide Type 2 loop compensation components, R_{COMP} , C_{COMP} and optional C_{HF} .

Feature Description (continued)

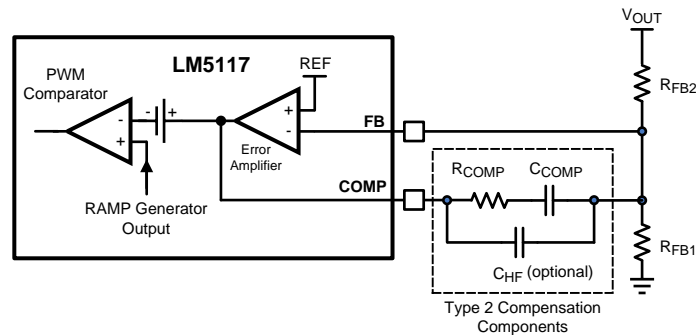


Figure 22. Feedback Configuration and PWM Comparator

R_{COMP} , C_{COMP} and C_{HF} configure the error amplifier gain and phase characteristics to achieve a stable voltage loop gain. This network creates a pole at DC (F_{P1}), a mid-band zero (F_Z) for phase boost, and a high frequency pole (F_{P2}). The recommended range of R_{COMP} is 2 k Ω to 40 k Ω . See [Application and Implementation](#) for detailed information.

$$F_{P1} = 0 \quad [\text{Hz}] \quad (5)$$

$$F_Z = \frac{1}{2\pi \times R_{COMP} \times C_{COMP}} \quad [\text{Hz}] \quad (6)$$

$$F_{P2} = \frac{1}{2\pi \times R_{COMP} \times \left(\frac{C_{COMP} \times C_{HF}}{C_{COMP} + C_{HF}} \right)} \quad [\text{Hz}] \quad (7)$$

The PWM comparator compares the emulated current sense signal from Ramp Generator to the voltage at the COMP pin through a 1.2-V internal voltage drop and terminates the present cycle when the emulated current sense signal is greater than $V_{COMP} - 1.2 \text{ V}$.

7.3.6 Soft-Start

The soft-start feature allows the regulator to gradually reach the steady state operating point, thus reducing startup stresses and surges. The LM5117 regulates the FB pin to the SS pin voltage or the internal 0.8-V reference, whichever is lower. The internal 10- μA soft-start current source gradually increases the voltage on an external soft-start capacitor connected to the SS pin. This results in a gradual rise of the output voltage. Soft-start time (t_{SS}) can be calculated from the following equation:

$$t_{SS} = \frac{C_{SS} \times 0.8\text{V}}{10 \mu\text{A}} \quad [\text{sec}] \quad (8)$$

The LM5117 can track the output of a master power supply during soft-start by connecting a voltage divider from the output of master power supply to the SS pin. At the beginning of the soft-start sequence, V_{SS} should be allowed to go below 25 mV by the internal SS pull-down switch. During soft-start period, when SS pin voltage is less than 0.8V, the LM5117 forces diode emulation for startup into a pre-biased load. If the tracking feature is desired, connect the DEMB pin to GND or leave the pin floating.

7.3.7 Cycle-by-Cycle Current Limit

The LM5117 contains a current limit monitoring scheme to protect the regulator from possible over-current conditions as shown in [Figure 21](#). If the emulated ramp signal exceeds 1.2 V, the present cycle is terminated. For the case where the switch current overshoots when the inductor is saturated or the output is shorted to ground, the sample-and-hold circuit detects the excess recirculating current before the high-side NMOS driver is turned on again. The high-side NMOS driver is disabled and will skip pulses until the current has decayed below the current limit threshold. This approach prevents current runaway conditions since the inductor current is forced to decay to a controlled level following any current overshoot.

Feature Description (continued)

Maximum peak inductor current can be calculated as:

$$I_{L(MAX)_PK} = \frac{V_{CS(TH)}}{R_S} + I_{PP} - \frac{V_{OUT}}{f_{SW} \times A_S \times R_S \times R_{RAMP} \times C_{RAMP}} \quad [A] \quad (9)$$

$$I_{L(MAX)_AVE} = I_{L(MAX)_PK} - \frac{I_{PP}}{2} \quad [A]$$

where

- I_{PP} represents inductor peak to peak ripple current in Figure 23, and is defined as: (10)

$$I_{PP} = \frac{V_{OUT}}{L_O \times f_{SW}} \times \left(1 - \frac{V_{OUT}}{V_{IN}} \right) \quad [A] \quad (11)$$

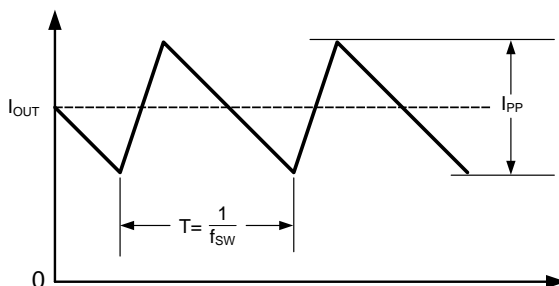


Figure 23. Inductor Current

During an output short condition, the worst case peak inductor current is limited to:

$$I_{LIM_PK} = \frac{V_{CS(TH)}}{R_S} + \frac{V_{IN(MAX)} \times t_{ON(MIN)}}{L_O} \quad [A]$$

where

- $t_{ON(MIN)}$ is the minimum HO on-time (12)

In most cases, especially if the output voltage is relatively high, it is recommended that a soft-saturating inductor such as a powder core device is used. If a sharp-saturating inductor is used, the inductor saturation level must be above I_{LIM_PK} . The temperatures of the NMOS devices, R_S and inductor should be checked under this output short condition.

7.3.8 Hiccup Mode Current Limiting

To further protect the regulator during prolonged current limit conditions, LM5117 provides a hiccup mode current limit. An internal hiccup mode fault timer counts the PWM clock cycles during which cycle-by-cycle current limiting occurs. When the hiccup mode fault timer detects 256 consecutive cycles of current limiting, an internal restart timer forces the controller to enter a low power dissipation standby mode and starts sourcing 10 μ A of current into the RES pin capacitor C_{RES} . In this standby mode, HO and LO outputs are disabled and the soft-start capacitor C_{SS} is discharged.

Feature Description (continued)

C_{RES} is connected from RES pin to AGND and determines the time (t_{RES}) in which the LM5117 remains in the standby before automatically restarting. When the RES pin voltage exceeds the 1.25-V RES threshold, RES capacitor is discharged and a soft-start sequence begins. t_{RES} can be calculated from the following equation:

$$t_{RES} = \frac{C_{RES} \times 1.25V}{10 \mu A} \text{ [sec]} \tag{13}$$

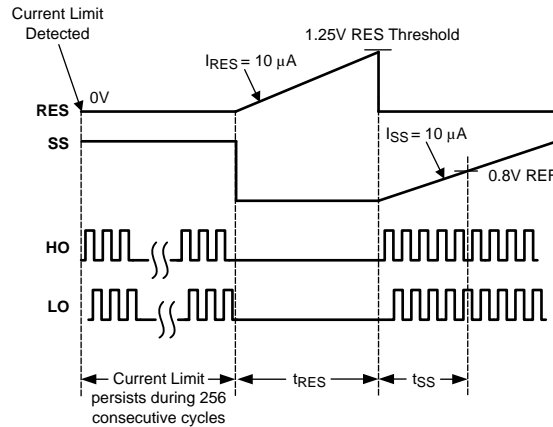


Figure 24. Hiccup Mode Current Limit Timing Diagram

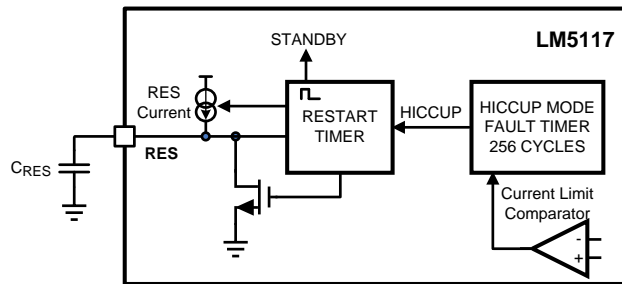


Figure 25. Hiccup Mode Current Limit Circuit

The RES pin can also be configured for latch-off mode current limiting or non-hiccup mode cycle-by-cycle current limiting. If the RES pin is tied to VCC or a voltage greater than the RES threshold at initial power-on, the restart timer is disabled and the regulator operates with non-hiccup mode cycle-by-cycle current limit. If the RES pin is tied to GND, the regulator enters into the standby mode after 256 consecutive cycles of current limiting and then never restarts until UVLO shutdown is cycled. The restart timer is configured during initial power-on when UVLO is above the UVLO threshold and VCC is above the VCC UV threshold.

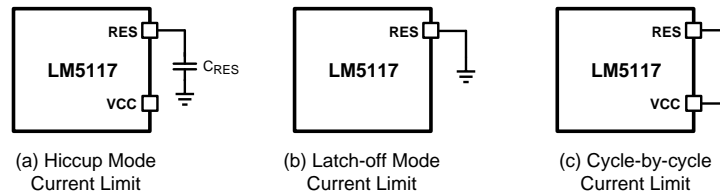


Figure 26. RES Configurations

Feature Description (continued)

7.3.9 HO and LO Drivers

The LM5117 contains high current NMOS drivers and an associated high-side level shifter to drive the external high-side NMOS device. This high-side gate driver works in conjunction with an external diode D_{HB} , and bootstrap capacitor C_{HB} . A 0.1- μ F or larger ceramic capacitor, connected with short traces between the HB and SW pin, is recommended. During the off-time of the high-side NMOS driver, the SW pin voltage is approximately 0V and the C_{HB} is charged from VCC through the D_{HB} . When operating with a high PWM duty cycle, the high-side NMOS device is forced off each cycle for 320 ns to ensure that C_{HB} is recharged.

The LO and HO outputs are controlled with an adaptive dead-time methodology which insures that both outputs are never enabled at the same time. When the controller commands HO to be enabled, the adaptive dead-time logic first disables LO and waits for the LO voltage to drop. HO is then enabled after a small delay (LO Fall to HO Rise Delay). Similarly, the LO turn-on is delayed until the HO voltage has discharged. LO is then enabled after a small delay (HO Fall to LO Rise Delay). This technique insures adequate dead-time for any size NMOS device, especially when VCC is supplied by a higher external voltage source. The adaptive dead-time circuitry monitors the voltages of HO and LO outputs and insures the dead-time between the HO and LO outputs. Adding a gate resistor, R_{GH} or R_{GL} , may decrease the effective dead-time.

Care should be exercised in selecting an output NMOS device with the appropriate threshold voltage, especially if VCC is supplied by an external bias supply voltage below the VCC regulation level. During startup at low input voltages, the low-side NMOS device gate plateau voltage should be lower than the VCC under-voltage lockout threshold. Otherwise, there may be insufficient VCC voltage to completely enhance the NMOS device as the VCC under-voltage lockout is released during startup. If the high-side NMOS drive voltage is lower than the high-side NMOS device gate plateau voltage during startup, the regulator may not start or it may hang up momentarily in a high power dissipation state. This condition can be addressed by selecting an NMOS device with a lower threshold voltage. This situation can be avoided if the minimum input voltage programmed by the UVLO resistor is above the VCC regulation level.

7.3.10 Current Monitor

The LM5117 provides average output current information, enabling various applications requiring monitoring or control of the output current.

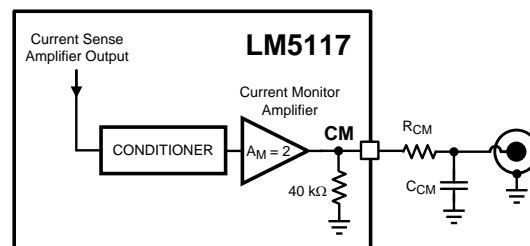


Figure 27. Current Monitor

The average of CM output can be calculated by:

$$V_{CM_AVE} = (I_{PEAK} + I_{VALLEY}) \times R_S \times A_S \quad [V] \quad (14)$$

The current monitor output is only valid in continuous conduction operation. The current monitor has a limited bandwidth of approximately one tenth of f_{SW} . Adding an R-C filter, R_{CM} and C_{CM} , on the output of current monitor with the cut off frequency below one tenth of f_{SW} is recommended to attenuate sampling noise.

Feature Description (continued)

7.3.11 Maximum Duty Cycle

When operating with a high PWM duty cycle, the high-side NMOS device is forced off each cycle for 320ns to ensure that C_{HB} is recharged and to allow time to sample and hold the current in the low-side NMOS FET. This forced off-time limits the maximum duty cycle of the controller. When designing a regulator with high switching frequency and high duty cycle requirements, a check should be made of the required maximum duty cycle against the graph shown in Figure 28. The actual maximum duty cycle varies with the switching frequency as follows:

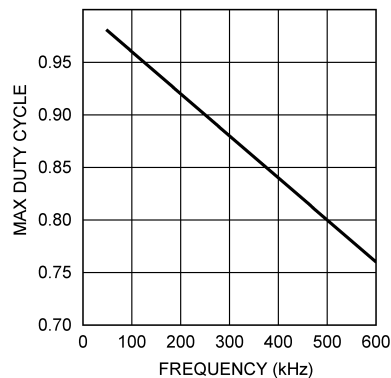


Figure 28. Maximum Duty Cycle vs Switching Frequency

7.3.12 Thermal Protection

Internal thermal shutdown circuitry is provided to protect the controller in the event the maximum junction temperature is exceeded. When activated, typically at 165°C, the controller is forced into a low power shutdown mode, disabling the output drivers and the VCC regulator. This feature is designed to prevent overheating and destroying the device.

7.4 Device Functional Modes

7.4.1 Diode Emulation

A fully synchronous buck regulator implemented with a freewheeling NMOS rather than a diode has the capability to sink current from the output in certain conditions such as light load, over-voltage or pre-bias startup. The LM5117 provides a diode emulation feature that can be enabled to prevent reverse current flow in the low-side NMOS device. When configured for diode emulation, the low-side NMOS driver is disabled when SW pin voltage is greater than -5mV during the off-time of the high-side NMOS driver, preventing reverse current flow.

A benefit of the diode emulation is lower power loss at no load or light load conditions. The negative effect of diode emulation is degraded light load transient response.

The diode emulation feature is configured with the DEMB pin. To enable diode emulation, connect the DEMB pin to GND or leave the pin floating. If continuous conduction operation is desired, the DEMB pin should be tied to a voltage greater than 3 V and may be connected to VCC. The LM5117 forces the regulator to operate in diode emulation mode when SS pin voltage is less than the internal 0.8-V reference, allowing for startup into a pre-biased load with the continuous conduction configuration.

8 Application and Implementation

NOTE

Information in the following applications sections is not part of the TI component specification, and TI does not warrant its accuracy or completeness. TI's customers are responsible for determining suitability of components for their purposes. Customers should validate and test their design implementation to confirm system functionality.

8.1 Application Information

The LM5117 is a step-down dc-dc controller. The device is typically used to convert a higher dc-dc voltage to a lower dc voltage. Use the following design procedure to select component values. Alternately, use the WEBENCH[®] software to generate a complete design. The WEBENCH software uses an iterative design procedure and assesses a comprehensive database of components when generating a design.

8.2 Typical Applications

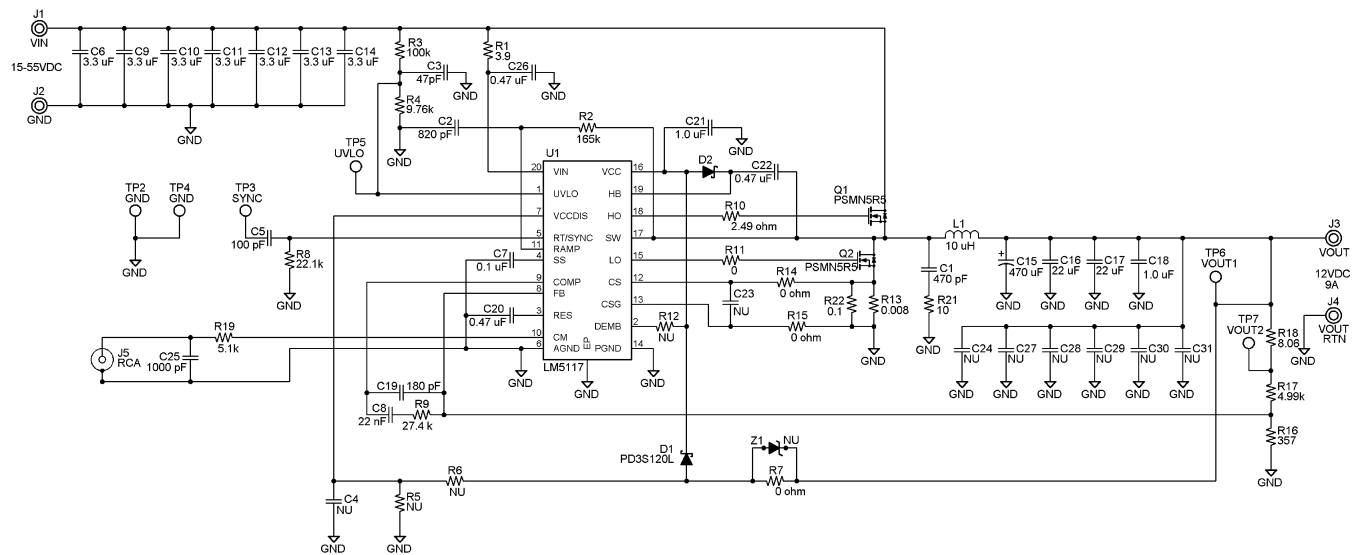


Figure 29. 12 V, 9 A Typical Application Schematic

8.3 Detailed Design Procedure

8.3.1 Feedback Compensation

Open loop response of the regulator is defined as the product of modulator transfer function and feedback transfer function. When plotted on a dB scale, the open loop gain is shown as the sum of modulator gain and feedback gain.

Detailed Design Procedure (continued)

The modulator transfer function includes a power stage transfer function with an embedded current loop and can be simplified as one pole and one zero system as shown in [Equation 15](#).

$$\frac{\hat{V}_{OUT}}{\hat{V}_{COMP}} = A_M \times \frac{1 + \frac{s}{\omega_{Z_ESR}}}{\left(1 + \frac{s}{\omega_{P_LF}}\right)} \quad (15)$$

$$\text{Where } A_M \text{ (Modulator DC gain)} = \frac{R_{LOAD}}{R_S \times A_S},$$

$$\omega_{Z_ESR} \text{ (ESR zero)} = \frac{1}{R_{ESR} \times C_{OUT}},$$

$$\omega_{P_LF} \text{ (Load pole)} = \frac{1}{R_{LOAD} \times C_{OUT}}$$

If the ESR of C_{OUT} (R_{ESR}) is very small, the modulator transfer function can be further simplified to a one pole system and the voltage loop can be closed with only two loop compensation components, R_{COMP} and C_{COMP} , leaving a single pole response at the crossover frequency. A single pole response at the crossover frequency yields a very stable loop with 90 degrees of phase margin.

The feedback transfer function includes the feedback resistor divider and loop compensation of the error amplifier. R_{COMP} , C_{COMP} and optional C_{HF} configure the error amplifier gain and phase characteristics and create a pole at origin, a low frequency zero and a high frequency pole. This is shown mathematically in [Equation 16](#).

$$\frac{\hat{V}_{COMP}}{\hat{V}_{OUT}} = A_{FB} \times \frac{1 + \frac{s}{\omega_{Z_EA}}}{s \times \left(1 + \frac{s}{\omega_{P_EA}}\right)} \quad (16)$$

$$\text{Where } A_{FB} \text{ (Feedback DC gain)} = \frac{1}{R_{FB2} \times (C_{COMP} + C_{HF})},$$

$$\omega_{Z_EA} \text{ (Low frequency zero)} = \frac{1}{R_{COMP} \times C_{COMP}},$$

$$\omega_{P_EA} \text{ (High frequency pole)} = \frac{1}{R_{COMP} \times C_{HF}}$$

The pole at the origin minimizes output steady state error. The low frequency zero should be placed to cancel the load pole of the modulator. The high frequency pole can be used to cancel the zero created by the output capacitor ESR or to decrease noise susceptibility of the error amplifier. By placing the low frequency zero an order of magnitude less than the crossover frequency, the maximum amount of phase boost can be achieved at the crossover frequency. The high frequency pole should be placed well beyond the crossover frequency since the addition of C_{HF} adds a pole in the feedback transfer function.

The crossover frequency (loop bandwidth) is usually selected between one twentieth and one fifth of the f_{SW} . In a simplified formula, the crossover frequency can be defined as:

$$f_{CROSS} = \frac{R_{COMP}}{2 \times \pi \times R_S \times R_{FB2} \times A_S \times C_{OUT}} \text{ [Hz]} \quad (17)$$

For higher crossover frequency, R_{COMP} can be increased, while proportionally decreasing C_{COMP} . Conversely, decreasing R_{COMP} while proportionally increasing C_{COMP} , results in lower bandwidth while keeping the same zero frequency in the feedback transfer function.

The sampled gain inductor pole is inversely proportional to the K factor, which is defined as:

$$\omega_{P_HF} = \frac{f_{SW}}{K - 0.5} \quad (18)$$

Detailed Design Procedure (continued)

The maximum achievable loop bandwidth, in fact, is limited by this sampled gain inductor pole. In traditional current mode control, the maximum achievable loop bandwidth varies with input voltage. With the LM5117's unique slope compensation scheme, the sampled gain inductor pole is independent of changes to the input voltage. This frees the user from additional concerns in wide varying input range applications and is an advantage of the LM5117.

If the sampled gain inductor pole or the ESR zero is close to the crossover frequency, it is recommended that the comprehensive formulas in [Table 1](#) be used and the stability should be checked by a network analyzer. The modulator transfer function can be measured and the feedback transfer function can be configured for the desired open loop transfer function. If a network analyzer is not available, step load transient tests can be performed to verify acceptable performance. The step load goal is minimum overshoot/undershoot with a damped response.

8.3.2 Sub-Harmonic Oscillation

Peak current mode regulators can exhibit unstable behavior when operating above 50% duty cycle. This behavior is known as sub-harmonic oscillation and is characterized by alternating wide and narrow pulses at the SW pin. Sub-harmonic oscillation can be prevented by adding an additional voltage ramp (slope compensation) on top of the sensed inductor current shown in [Figure 20](#). By choosing $K \geq 1$, the regulator will not be subject to sub-harmonic oscillation caused by a varying input voltage.

In time-domain analysis, the steady-state inductor current starts and ends at the same value during one clock cycle. If the magnitude of the end-of-cycle current error, dl_1 , caused by an initial perturbation, dl_0 , is less than the magnitude of dl_0 or $dl_1/dl_0 > -1$, the perturbation naturally disappears after a few cycles. When $dl_1/dl_0 < -1$, the initial perturbation does not disappear, resulting in sub-harmonic oscillation in steady-state operation.

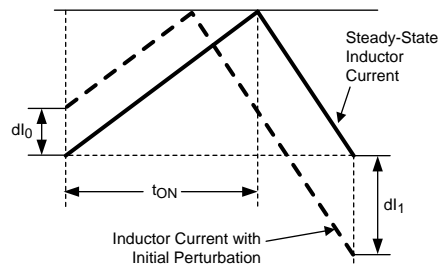


Figure 30. Effect of Initial Perturbation when $dl_1/dl_0 < -1$

dl_1/dl_0 can be calculated by:

$$\frac{dl_1}{dl_0} = 1 - \frac{1}{K} \quad (19)$$

The relationship between dl_1/dl_0 and K factor is illustrated graphically in [Figure 31](#).

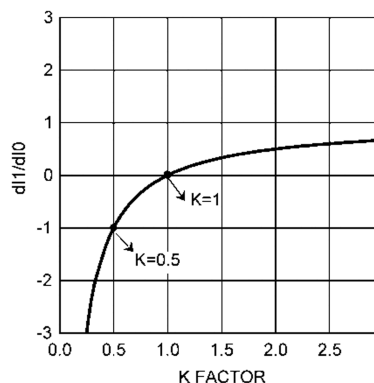


Figure 31. dl_1/dl_0 vs K Factor

Detailed Design Procedure (continued)

The minimum value of K is 0.5. When $K < 0.5$, the amplitude of dl_1 is greater than the amplitude of dl_0 and any initial perturbation results in sub-harmonic oscillation. If $K = 1$, any initial perturbation will be removed in one switching cycle. This is known as one-cycle damping. When $-1 < dl_1/dl_0 < 0$, any initial perturbation will be under-damped. Any perturbation will be over-damped when $0 < dl_1/dl_0 < 1$.

In the frequency-domain, Q, the quality factor of the sampling gain term in the modulator transfer function, is used to predict the tendency for sub-harmonic oscillation, which is defined as:

$$Q = \frac{1}{\pi(K-0.5)} \tag{20}$$

The relationship between Q and K factor is illustrated graphically in [Figure 32](#).

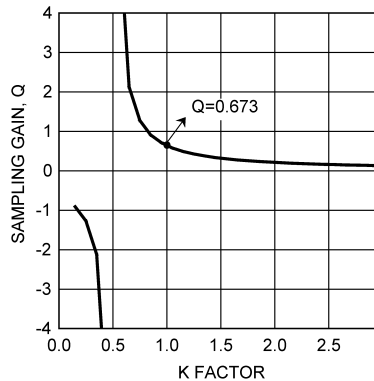


Figure 32. Sampling gain Q vs K Factor

The minimum value of K is 0.5 again. This is the same as time domain analysis result. When $K < 0.5$, the regulator is unstable. High gain peaking at 0.5 results in sub-harmonic oscillation at $F_{SW}/2$. When $K = 1$, one-cycle damping is realized. Q is equal to 0.673 at this point. A higher K factor may introduce additional phase shift by moving the sampled gain inductor pole closer to the crossover frequency, but will help reduce noise sensitivity in the current loop. The maximum allowable value of K factor can be calculated by the Maximum Crossover Frequency equation in [Table 1](#).

8.3.3 Design Requirements

DESIGN PARAMETER	EXAMPLE VALUE
Output voltage	12 V
Full load current, I_{OUT}	9 A
Minimum input voltage, $V_{IN(MIN)}$	15 V
Maximum input voltage, $V_{IN(MAX)}$	55 V
Switching frequency, f_{SW}	230 kHz
Diode emulation	yes
External VCC supply	yes

8.3.4 Timing Resistor R_T

Generally, higher frequency applications are smaller but have higher losses. Operation at 230 kHz was selected for this example as a reasonable compromise between small size and high efficiency. The value of R_T for 230 kHz switching frequency can be calculated from [Equation 3](#) as follows:

$$R_T = \frac{5.2 \times 10^9}{230 \times 10^3} - 948 = 21.7 \text{ k}\Omega \tag{21}$$

A standard value of 22.1 k Ω was chosen for R_T .

8.3.5 Output Inductor L_O

The maximum inductor ripple current occurs at the maximum input voltage. Typically, 20% to 40% of the full load current is a good compromise between core loss and copper loss of the inductor. Higher ripple current allows for a smaller inductor size, but places more of a burden on the output capacitor to smooth the ripple voltage on the output. For this example, a ripple current of 40% of 9 A was chosen. Knowing the switching frequency, maximum ripple current, maximum input voltage and the nominal output voltage, the inductor value can be calculated as follows:

$$L_O = \frac{V_{OUT}}{I_{PP(MAX)} \times f_{SW}} \times \left(1 - \frac{V_{OUT}}{V_{IN(MAX)}}\right) = \frac{12V}{9A \times 0.4 \times 230kHz} \times \left(1 - \frac{12V}{55V}\right) = 11.3\mu H \quad (22)$$

The closest standard value of 10 μ H was chosen for L_O. Using the value of 10 μ H for L_O, calculate I_{PP} again. This step is necessary if the chosen value of L_O differs significantly from the calculated value.

From [Equation 11](#),

$$I_{PP(MAX)} = \frac{12V}{10\mu H \times 230kHz} \times \left(1 - \frac{12V}{55V}\right) = 4.1A \quad (23)$$

At the minimum input voltage, this value is 1.04 A.

8.3.6 Diode Emulation Function

The DEMB pin is left floating since this example uses diode emulation to reduce the power loss under no load or light load conditions.

8.3.7 Current Sense Resistor R_S

The performance of the converter will vary depending on the K value. For this example, K = 1 was chosen to control sub-harmonic oscillation and achieve one-cycle damping. The maximum output current capability (I_{OUT(MAX)}) should be 20–50% higher than the required output current, to account for tolerances and ripple current. For this example, 130% of 9 A was chosen. The current sense resistor value can be calculated from [Equation 9](#) and [Equation 10](#) as follows:

$$R_S = \frac{V_{CS(TH)}}{I_{OUT(MAX)} + \frac{V_{OUT} \times K}{f_{SW} \times L_O} - \frac{I_{PP}}{2}} \quad [\Omega] \quad (24)$$

$$R_S = \frac{0.12V}{9A \times 1.3 + \frac{12 \times 1}{230kHz \times 10\mu H} - \frac{1.04A}{2}} = 7.3m\Omega \quad (25)$$

A value of 7.41 m Ω was realized for R_S by placing an additional 0.1- Ω sense resistor in parallel with 8 m Ω . The sense resistor must be rated to handle the power dissipation at maximum input voltage when current flows through the low-side NMOS for the majority of the PWM cycle. The maximum power dissipation of R_S can be calculated as:

$$P_{RS} = \left(1 - \frac{V_{OUT}}{V_{IN(MAX)}}\right) \times I_{OUT}^2 \times R_S \quad [W] \quad (26)$$

$$P_{RS} = \left(1 - \frac{12V}{55V}\right) \times 9A^2 \times 7.41m\Omega = 0.47W \quad (27)$$

The worst case peak inductor current under the output short condition can be calculated from [Equation 12](#) as follows:

$$I_{LIM_PK} = \frac{0.12V}{7.41m\Omega} + \frac{55V \times 100ns}{10\mu H} = 16.7A$$

where

- t_{ON(MIN)} is normally 100ns (28)

8.3.8 Current Sense Filter R_{CS} and C_{CS}

The LM5117 itself is not affected by the large leading edge spike because it samples valley current just prior to the onset of the high-side switch. A current sense filter is used to minimize a noise injection from any external noise sources. In general, a current sense filter is not necessary. In this example, a current sense filter is not used

Adding R_{CS} resistor changes the current sense amplifier gain which is defined as $A_S = 10 \text{ k} / (1 \text{ k} + R_{CS})$. A small value of R_{CS} resistor below 100Ω is recommended to minimize the gain change which is caused by the temperature coefficient difference between internal and external resistors.

8.3.9 Ramp Resistor R_{RAMP} and Ramp Capacitor C_{RAMP}

The positive slope of the inductor current ramp signal is emulated by R_{RAMP} and C_{RAMP} . For this example, the value of C_{RAMP} was set at the standard capacitor value of 820 pF . With the inductor, sense resistor and the K factor selected, the value of R_{RAMP} can be calculated from Equation 4 as follows:

$$R_{RAMP} = \frac{L_O}{K \times C_{RAMP} \times R_S \times A_S} \quad [\Omega] \quad (29)$$

$$R_{RAMP} = \frac{10 \mu\text{H}}{1 \times 820 \text{ pF} \times 7.41 \text{ m}\Omega \times 10} = 165 \text{ k}\Omega \quad (30)$$

The standard value of $165 \text{ k}\Omega$ was selected for R_{RAMP} .

8.3.10 UVLO Divider R_{UV2} , R_{UV1} and C_{FT}

The desired startup voltage and the hysteresis are set by the voltage divider R_{UV1} and R_{UV2} . Capacitor C_{FT} provides filtering for the divider. For this design, the startup voltage was set to 14 V , 1 V below $V_{IN(MIN)}$. V_{HYS} was set to 2 V . The value of R_{UV1} , R_{UV2} can be calculated from Equation 1 and Equation 2 as follows:

$$R_{UV2} = \frac{2\text{V}}{20 \mu\text{A}} = 100 \text{ k}\Omega \quad (31)$$

$$R_{UV1} = \frac{1.25\text{V} \times 100 \text{ k}\Omega}{14\text{V} - 1.25\text{V}} = 9.8 \text{ k}\Omega \quad (32)$$

The standard value of $100 \text{ k}\Omega$ was selected for R_{UV2} . R_{UV1} was selected to be $9.76 \text{ k}\Omega$. A value of 47 pF was chosen for C_{FT} .

8.3.11 VCC Disable and External VCC Supply

The 12-V output voltage allows the external VCC supply configuration as shown in Figure 16. In this example, VCCDIS can be left floating since V_{OUT} is higher than VCC regulator set-point level.

8.3.12 Power Switches Q_H and Q_L

Selection of the power NMOS devices is governed by the same trade-offs as switching frequency. Breaking down the losses in the high-side and low-side NMOS devices is one way to compare the relative efficiencies of different devices. Losses in the power NMOS devices can be broken down into conduction loss, gate charging loss, and switching loss.

Conduction loss P_{DC} is approximately:

$$P_{DC (\text{High-Side})} = D \times (I_{OUT}^2 \times R_{DS(ON)} \times 1.3) \quad [\text{W}] \quad (33)$$

$$P_{DC (\text{Low-Side})} = (1 - D) \times (I_{OUT}^2 \times R_{DS(ON)} \times 1.3) \quad [\text{W}]$$

where

- D is the duty cycle
- the factor of 1.3 accounts for the increase in the NMOS device on-resistance due to heating (34)

Alternatively, the factor of 1.3 can be eliminated and the high temperature on-resistance of the NMOS device can be estimated using the $R_{DS(ON)}$ vs Temperature curves in the MOSFET datasheet.

Gate charging loss (P_{GC}) results from the current driving the gate capacitance of the power NMOS devices and is approximated as:

$$P_{GC} = n \times V_{VCC} \times Q_g \times f_{SW} \quad [W] \quad (35)$$

Q_g refers to the total gate charge of an individual NMOS device, and 'n' is the number of NMOS devices. Gate charge loss differs from conduction and switching losses in that the actual dissipation occurs in the controller IC. Switching loss (P_{SW}) occurs during the brief transition period as the high-side NMOS device turns on and off. During the transition period both current and voltage are present in the channel of the NMOS device. The switching loss can be approximated as:

$$P_{SW} = 0.5 \times V_{IN} \times I_{OUT} \times (t_r + t_f) \times f_{SW} \quad [W] \quad (36)$$

t_r and t_f are the rise and fall times of the high-side NMOS device. The rise and fall times are usually mentioned in the MOSFET datasheet or can be empirically observed with an oscilloscope. Switching loss is calculated for the high-side NMOS device only. Switching loss in the low-side NMOS device is negligible because the body diode of the low-side NMOS device turns on before and after the low-side NMOS device switches. For this example, the maximum drain-to-source voltage applied to either NMOS device is 55 V. The selected NMOS devices must be able to withstand 55 V plus any ringing from drain to source and must be able to handle at least the VCC voltage plus any ringing from gate to source.

8.3.13 Snubber Components R_{SNB} and C_{SNB}

A resistor-capacitor snubber network across the low-side NMOS device reduces ringing and spikes at the switching node. Excessive ringing and spikes can cause erratic operation and can couple noise to the output voltage. Selecting the values for the snubber is best accomplished through empirical methods. First, make sure the lead lengths for the snubber connections are very short. Start with a resistor value between 5 and 50 Ω . Increasing the value of the snubber capacitor results in more damping, but higher snubber losses. Select a minimum value for the snubber capacitor that provides adequate damping of the spikes on the switch waveform at heavy load. A snubber may not be necessary with an optimized layout.

8.3.14 Bootstrap Capacitor C_{HB} and Bootstrap Diode D_{HB}

The bootstrap capacitor between the HB and SW pin supplies the gate current to charge the high-side NMOS device gate during each cycle's turn-on and also supplies recovery charge for the bootstrap diode. These current peaks can be several amperes. The recommended value of the bootstrap capacitor is at least 0.1 μF . C_{HB} should be a good quality, low ESR, ceramic capacitor located at the pins of the IC to minimize potentially damaging voltage transients caused by trace inductance. The absolute minimum value for the bootstrap capacitor is calculated as:

$$C_{HB} \geq \frac{Q_g}{\Delta V_{HB}} \quad [F]$$

where

- Q_g is the high-side NMOS gate charge
 - ΔV_{HB} is the tolerable voltage droop on C_{HB} , which is typically less than 5% of VCC or 0.15 V conservatively
- (37)

A value of 0.47 μF was selected for this design.

8.3.15 VCC Capacitor C_{VCC}

The primary purpose of the VCC capacitor (C_{VCC}) is to supply the peak transient currents of the LO driver and bootstrap diode as well as provide stability for the VCC regulator. These peak currents can be several amperes. The recommended value of C_{VCC} should be no smaller than 0.47 μF , and should be a good quality, low ESR, ceramic capacitor. C_{VCC} should be placed at the pins of the IC to minimize potentially damaging voltage transients caused by trace inductance. A value of 1 μF was selected for this design.

8.3.16 Output Capacitor C_O

The output capacitors smooth the output voltage ripple caused by inductor ripple current and provide a source of charge during transient loading conditions. For this design example, a 470- μ F electrolytic capacitor with maximum 20m Ω ESR was selected as the main output capacitor. The fundamental component of the output ripple voltage with maximum ESR is approximated as:

$$\Delta V_{OUT} = I_{PP} \times \sqrt{R_{ESR}^2 + \left(\frac{1}{8 \times f_{SW} \times C_{OUT}} \right)^2} \quad [V] \quad (38)$$

$$\Delta V_{OUT} = 4.1 \times \sqrt{0.02\Omega^2 + \left(\frac{1}{8 \times 230 \text{ kHz} \times 470 \mu\text{F}} \right)^2} = 82 \text{ mV} \quad (39)$$

Additional low ERS / ESL ceramic capacitors can be placed in parallel with the main output capacitor to further reduce the output voltage ripple and spikes. In this example, two 22 μ F capacitors were added.

8.3.17 Input Capacitor C_{IN}

The regulator input supply voltage typically has high source impedance at the switching frequency. Good quality input capacitors are necessary to limit the ripple voltage at the VIN pin while supplying most of the switch current during the on-time. When the high-side NMOS device turns on, the current into the device steps to the valley of the inductor current waveform, ramps up to the peak value, and then drops to the zero at turnoff. The input capacitor should be selected for RMS current rating and minimum ripple voltage. A good approximation for the required ripple current rating necessary is $I_{RMS} > I_{OUT} / 2$.

In this example, seven 3.3 μ F ceramic capacitors were used. With ceramic capacitors, the input ripple voltage will be triangular. The input ripple voltage can be approximated as:

$$\Delta V_{IN} = \frac{I_{OUT}}{4 \times f_{SW} \times C_{IN}} \quad [V] \quad (40)$$

$$\Delta V_{IN} = \frac{9 \text{ A}}{4 \times 230 \text{ kHz} \times 3.3 \mu\text{F} \times 7} = 0.42 \text{ V} \quad (41)$$

Capacitors connected in parallel should be evaluated for RMS current rating. The current will split between the input capacitors based on the relative impedance of the capacitors at the switching frequency.

8.3.18 VIN Filter R_{VIN} , C_{VIN}

An R-C filter (R_{VIN} , C_{VIN}) on VIN is optional. The filter helps to prevent faults caused by high frequency switching noise injection into the VIN pin. A 0.47- μ F ceramic capacitor is used for C_{VIN} in the example. R_{VIN} is selected to be 3.9 Ω .

8.3.19 Soft-Start Capacitor C_{SS}

The capacitor at the SS pin (C_{SS}) determines the soft-start time (t_{SS}), which is the time for the output voltage to reach the final regulated value. The t_{SS} for a given C_{SS} can be calculated from [Equation 8](#) as follows:

$$t_{SS} = \frac{0.1 \mu\text{F} \times 0.8\text{V}}{10 \mu\text{A}} = 8 \text{ ms} \quad (42)$$

For this example, a value of 0.1 μ F was chosen for a soft-start time of 8 ms.

8.3.20 Restart Capacitor C_{RES}

The capacitor at the RES pin (C_{RES}) determines t_{RES} , which is the time the LM5117 remains off before a restart attempt is made in hiccup mode current limiting. t_{RES} for a given C_{RES} can be calculated from [Equation 13](#) as follows:

$$t_{RES} = \frac{0.47 \mu\text{F} \times 1.25\text{V}}{10 \mu\text{A}} = 59 \text{ ms} \quad (43)$$

For this example, a value of 0.47 μ F was chosen for a restart time of 59 ms.

8.3.21 Output Voltage Divider R_{FB2} and R_{FB1}

R_{FB1} and R_{FB2} set the output voltage level. The ratio of these resistors is calculated as:

$$\frac{R_{FB2}}{R_{FB1}} = \frac{V_{OUT}}{0.8V} - 1 \quad (44)$$

The ratio between R_{COMP} and R_{FB2} determines the mid-band gain, A_{FB_MID} . A larger value for R_{FB2} may require a corresponding larger value for R_{COMP} . R_{FB2} should be large enough to keep the total divider power dissipation small. 4.99 k Ω was chosen for R_{FB2} in this example, which results in a R_{FB1} value of 357 Ω for 12-V output.

8.3.22 Loop Compensation Components C_{COMP} , R_{COMP} and C_{HF}

R_{COMP} , C_{COMP} and C_{HF} configure the error amplifier gain and phase characteristics to produce a stable voltage loop. For a quick start, follow the 4 steps listed below.

STEP1: Select f_{CROSS}

By selecting one tenth of the switching frequency, f_{CROSS} is calculated as follows:

$$f_{CROSS} = \frac{f_{SW}}{10} = 23 \text{ kHz} \quad (45)$$

STEP2: Determine required R_{COMP}

Knowing f_{CROSS} , R_{COMP} is calculated as follows:

$$R_{COMP} = 2\pi \times R_S \times A_S \times C_{OUT} \times R_{FB2} \times f_{CROSS} \quad [\Omega] \quad (46)$$

$$R_{COMP} = 2\pi \times 7.41 \text{ m}\Omega \times 10 \times 514 \mu\text{F} \times 4.99 \text{ k}\Omega \times 23 \text{ kHz} = 27.5 \text{ k}\Omega \quad (47)$$

The standard value of 27.4k Ω was selected for R_{COMP}

STEP3: Determine C_{COMP} to cancel load pole

Knowing R_{COMP} , C_{COMP} is calculated as follows:

$$C_{COMP} = \frac{R_{LOAD} \times C_{OUT}}{R_{COMP}} = \frac{\left(\frac{12V}{9A}\right) \times 514 \mu\text{F}}{27.4 \text{ k}\Omega} = 25 \text{ nF} \quad (48)$$

The standard value of 22nF was selected for C_{COMP}

STEP4: Determine C_{HF} to cancel ESR zero

Knowing R_{COMP} and C_{COMP} , C_{HF} is calculated as follows:

$$C_{HF} = \frac{R_{ESR} \times C_{OUT} \times C_{COMP}}{R_{COMP} \times C_{COMP} - R_{ESR} \times C_{OUT}} \quad [F] \quad (49)$$

$$C_{HF} = \frac{10 \text{ m}\Omega \times 514 \mu\text{F} \times 22 \text{ nF}}{27.4 \text{ k}\Omega \times 22 \text{ nF} - 10 \text{ m}\Omega \times 514 \mu\text{F}} = 189 \text{ pF} \quad (50)$$

Half of the maximum ESR is assumed as a typical ESR. The standard value of 180pF was selected for C_{HF} .

Table 1. LM5117 Frequency Analysis Formulas

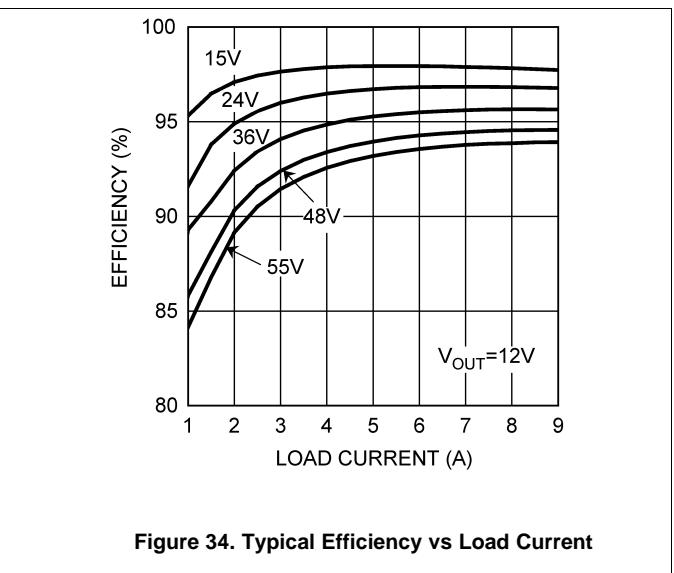
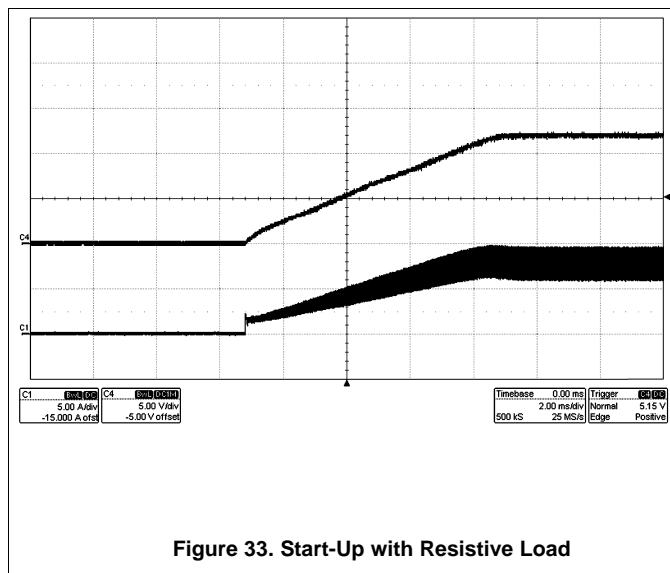
	SIMPLE FORMULA	COMPREHENSIVE FORMULA⁽¹⁾
MODULATOR TRANSFER FUNCTION	$\frac{\hat{V}_{OUT}}{\hat{V}_{COMP}} = A_M \times \frac{1 + \frac{s}{\omega_{Z_ESR}}}{\left(1 + \frac{s}{\omega_{P_LF}}\right)}$	$\frac{\hat{V}_{OUT}}{\hat{V}_{COMP}} = A_M \times \frac{1 + \frac{s}{\omega_{Z_ESR}}}{\left(1 + \frac{s}{\omega_{P_LF}}\right) \times \left(1 + \frac{s}{\omega_{P_ESR}}\right) \times \left(1 + \frac{s}{\omega_{P_HF}} + \frac{s^2}{\omega_n^2}\right)}$
Modulator DC Gain	$A_M = \frac{R_{LOAD}}{R_S \times A_S}$	$A_M = \frac{R_{LOAD}}{R_S \times A_S} \times \frac{1}{1 + \frac{R_{LOAD}}{\omega_{P_HF} \times L_O}}$
ESR Zero	$\omega_{Z_ESR} = \frac{1}{R_{ESR} \times C_{OUT}}$	$\omega_{Z_ESR} = \frac{1}{R_{ESR1} \times C_{OUT1}}$
ESR Pole	Not considered	$\omega_{P_ESR} = \frac{1}{R_{ESR1} \times (C_{OUT1} // C_{OUT2})}$
Dominant Load Pole	$\omega_{P_LF} = \frac{1}{R_{LOAD} \times C_{OUT}}$	$\omega_{P_LF} = \frac{1}{(R_{LOAD} + R_{ESR1}) \times (C_{OUT1} + C_{OUT2})} + \frac{1}{L_O \times (C_{OUT1} + C_{OUT2}) \times \omega_{P_HF}}$
Sampled Gain Inductor Pole	Not considered	$\omega_{P_HF} = \frac{f_{SW}}{K - 0.5} \quad \text{or} \quad \omega_{P_HF} = Q \times \omega_n$
Quality Factor	Not considered	$Q = \frac{1}{\pi(K - 0.5)}$
Sub-harmonic Double Pole	Not considered	$\omega_n = \frac{\omega_{SW}}{2} = \pi \times f_{SW} \quad \text{or} \quad f_n = \frac{f_{SW}}{2}$
K Factor	$K = 1$	$K = \frac{L_O}{R_{RAMP} \times C_{RAMP} \times R_S \times A_S}$
FEEDBACK TRANSFER FUNCTION	$-\frac{\hat{V}_{COMP}}{\hat{V}_{OUT}} = A_{FB} \times \frac{1 + \frac{s}{\omega_{Z_EA}}}{s \times \left(1 + \frac{s}{\omega_{P_EA}}\right)}$	$-\frac{\hat{V}_{COMP}}{\hat{V}_{OUT}} = A_{FB} \times \frac{1 + \frac{s}{\omega_{Z_EA}}}{s \times \left(1 + \frac{s}{\omega_{P_EA}}\right)}$
Feedback DC Gain	$A_{FB} = \frac{1}{R_{FB2} \times (C_{COMP} + C_{HF})}$	$A_{FB} = \frac{1}{R_{FB2} \times (C_{COMP} + C_{HF})}$
Mid-band Gain	$A_{FB_MID} = \frac{R_{COMP}}{R_{FB2}}$	$A_{FB_MID} = \frac{R_{COMP}}{R_{FB2}}$
Low Frequency Zero	$\omega_{Z_EA} = \frac{1}{R_{COMP} \times C_{COMP}}$	$\omega_{Z_EA} = \frac{1}{R_{COMP} \times C_{COMP}}$
High Frequency Pole	$\omega_{P_EA} = \frac{1}{R_{COMP} \times C_{HF}}$	$\omega_{P_EA} = \frac{1}{R_{COMP} \times (C_{HF} // C_{COMP})}$

(1) Comprehensive Equation includes an inductor pole and a gain peaking at $f_{SW}/2$, which caused by sampling effect of the current mode control. Also it assumes that a ceramic capacitor C_{OUT2} (No ESR) is connected in parallel with C_{OUT1} . R_{ESR1} represents ESR of C_{OUT1} .

Table 1. LM5117 Frequency Analysis Formulas (continued)

	SIMPLE FORMULA	COMPREHENSIVE FORMULA ⁽¹⁾
OPEN-LOOP RESPONSE	$T(s) = A_M \times A_{FB} \times \frac{1 + \frac{s}{\omega_{Z_ESR}}}{\left(1 + \frac{s}{\omega_{P_LF}}\right)} \times \frac{1 + \frac{s}{\omega_{Z_EA}}}{s \times \left(1 + \frac{s}{\omega_{P_EA}}\right)}$ $T(s) = \frac{A_M \times A_{FB}}{s}$ <p>when $\omega_{Z_EA} = \omega_{P_LF}$ & $\omega_{P_EA} = \omega_{Z_ESR}$</p>	$T(s) = A_M \times A_{FB} \times \frac{1 + \frac{s}{\omega_{Z_ESR}}}{\left(1 + \frac{s}{\omega_{P_LF}}\right) \times \left(1 + \frac{s}{\omega_{P_ESR}}\right) \times \left(1 + \frac{s}{\omega_{P_HF}} + \frac{s^2}{\omega_n^2}\right)} \times \frac{1 + \frac{s}{\omega_{Z_EA}}}{s \times \left(1 + \frac{s}{\omega_{P_EA}}\right)}$ $T(s) = \frac{A_M \times A_{FB}}{s} \times \frac{1 + \frac{s}{\omega_{Z_ESR}}}{\left(1 + \frac{s}{\omega_{P_EA}}\right) \times \left(1 + \frac{s}{\omega_{P_ESR}}\right) \times \left(1 + \frac{s}{\omega_{P_HF}} + \frac{s^2}{\omega_n^2}\right)}$ <p>when $\omega_{Z_EA} = \omega_{P_LF}$</p>
Cross Over Frequency (Open Loop Bandwidth)	$f_{CROSS} = \frac{R_{COMP}}{2 \times \pi \times R_S \times R_{FB2} \times A_S \times C_{OUT}}$ <p>when $\omega_{Z_EA} = \omega_{P_LF}$ & $\omega_{P_EA} = \omega_{Z_ESR}$</p>	$f_{CROSS} = \frac{R_{COMP}}{2 \times \pi \times R_S \times R_{FB2} \times A_S \times (C_{OUT1} + C_{OUT2})}$ <p>when $\omega_{Z_EA} = \omega_{P_LF}$ & $\omega_{P_EA} = \omega_{Z_ESR}$</p> <p>& $f_{CROSS} < \frac{\omega_{P_HF}}{2 \times \pi \times 10}$ & $f_{CROSS} < \frac{\omega_{P_ESR}}{2 \times \pi \times 10}$</p>
Maximum Cross Over Frequency	$f_{CROSS_MAX} = \frac{f_{SW}}{5}$	$f_{CROSS_MAX} = \frac{f_{SW}}{4 \times Q} \times \left(\sqrt{1 + 4 \times Q^2} - 1\right)$ <p>The frequency at which 45° phase shift occurs in modulator phase characteristics.</p>

8.4 Application Curves



Application Curves (continued)

8.4.1 Constant Current Regulator

The LM5117 can be configured as a constant current regulator by using the current monitor feature (CM) as the feedback input. A voltage divider at the VCCDIS pin from VOUT to AGND can be used to protect against output over-voltage. When the VCCDIS pin voltage is greater than the VCCDIS threshold, the controller disables the VCC regulator and the VCC pin voltage decays. When the VCC pin voltage is less than the VCC UV threshold, both HO and LO outputs stop switching. Due to the time delay required for VCC to decay below the VCC UV threshold, the over-voltage protection operates in hiccup mode. See [Figure 35](#).

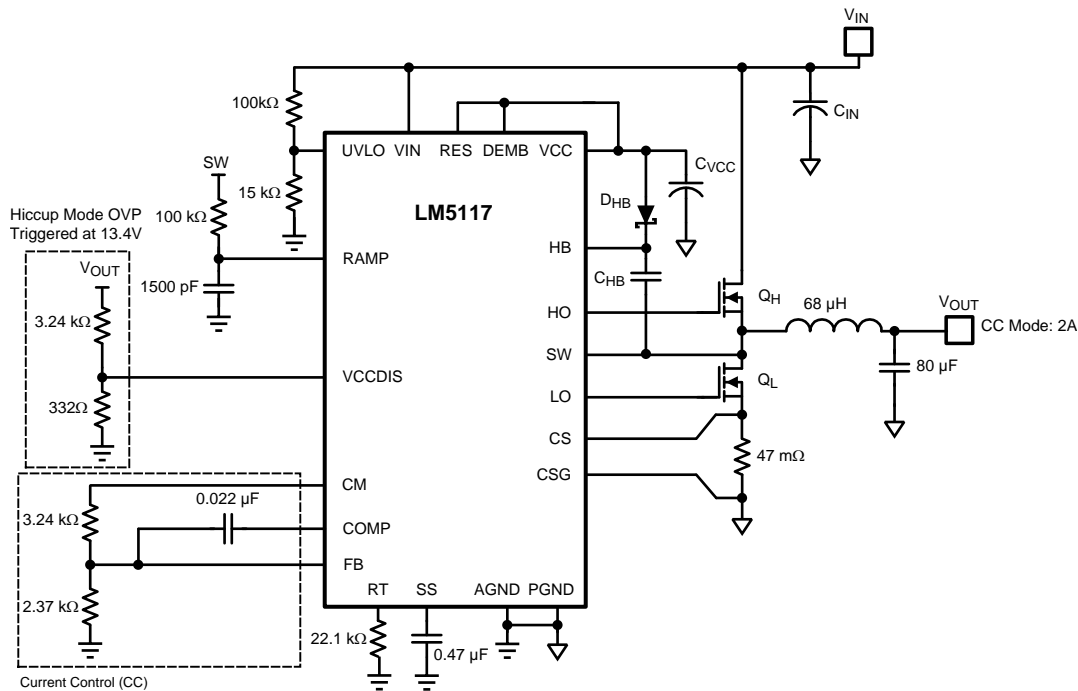


Figure 35. Constant Current Regulator With Hiccup Mode Output OVP

8.4.2 Constant Voltage and Constant Current Regulator

The LM5117 also can be configured as a constant voltage and constant current regulator, known as CV+CC regulator. In this configuration, there is much less variation in the current limiting as compared to peak cycle-by-cycle current limiting of the inductor current. The LMV431 and the PNP transistor create a voltage-to-current amplifier in the current loop. This amplifier circuitry does not affect the normal operation when the output current is less than the current limit set-point. When the output current is greater than the set-point, the PNP transistor sources a current into C_{RAMP} and increases the positive slope of emulated inductor current ramp until the output current is less than or equal to the current limit set-point. See [Figure 36](#) and [Figure 37](#).

Application Curves (continued)

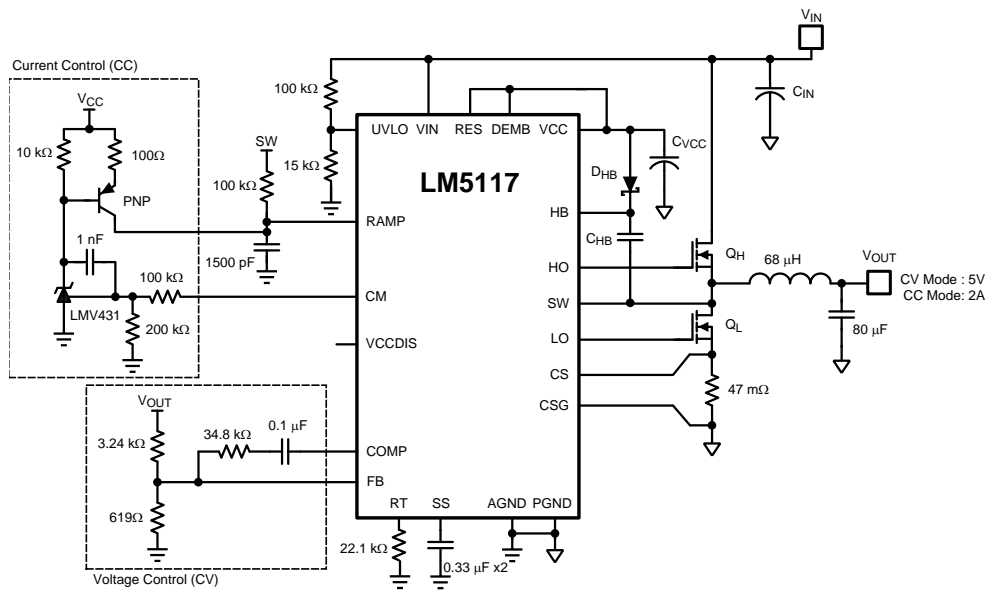


Figure 36. Constant Voltage Regulator with Accurate Current Limit

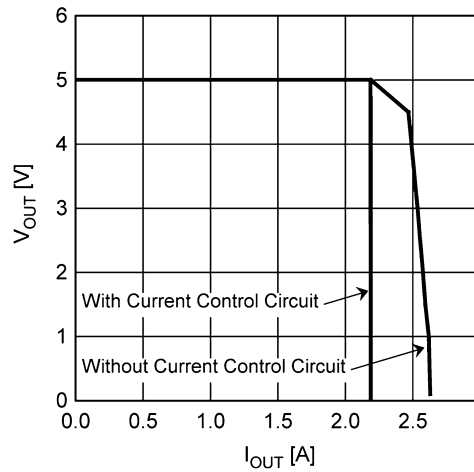


Figure 37. Current Limit Comparison

9 Power Supply Recommendations

The LM5117 is a power management device. The power supply for the device is any DC voltage source within the specified input range.

10 Layout

10.1 Layout Guideline

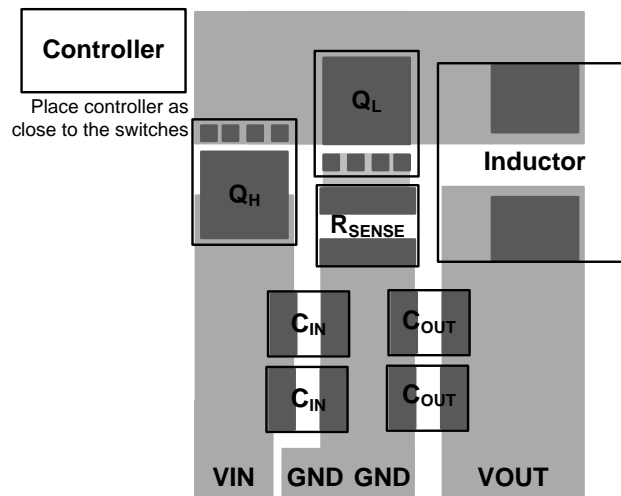


Figure 38. Layout Example

10.1.1 PC Board Layout Recommendation

In a buck regulator the primary switching loop consists of the input capacitor, NMOS power switches and current sense resistor. Minimizing the area of this loop reduces the stray inductance and minimizes noise and possible erratic operation. High quality input capacitors should be placed as close as possible to the NMOS power switches, with the V_{IN} side of the capacitor connected directly to the high-side NMOS drain and the ground side of the capacitor connected as close as possible to the current sense resistor ground connection.

Connect all of the low power ground connections (R_{UV1} , R_T , R_{FB1} , C_{SS} , C_{RES} , C_{CM} , C_{VIN} , C_{RAMP}) directly to the regulator AGND pin. Connect C_{VCC} directly to the regulator PGND pin. Note that C_{VIN} and C_{VCC} must be as physically close as possible to the IC. AGND and PGND must be directly connected together through a top-side copper pattern connected to the exposed pad. Ensure no high current flows beneath the underside exposed pad.

The LM5117 has an exposed thermal pad to aid power dissipation. Adding several vias under the exposed pad helps conduct heat away from the IC. The junction to ambient thermal resistance varies with application. The most significant variables are the area of copper in the PC board, the number of vias under the exposed pad and the amount of forced air cooling. The integrity of the solder connection from the IC exposed pad to the PC board is critical. Excessive voids greatly decrease the thermal dissipation capacity.

The highest power dissipating components are the two power switches. Selecting NMOS switches with exposed pads aids the power dissipation of these devices.

11 器件和文档支持

11.1 相关链接

以下表格列出了快速访问链接。范围包括技术文档、支持与社区资源、工具和软件，并且可以快速访问样片或购买链接。

表 2. 相关链接

器件	产品文件夹	样片与购买	技术文档	工具与软件	支持与社区
LM5117	请单击此处	请单击此处	请单击此处	请单击此处	请单击此处
LM5117-Q1	请单击此处	请单击此处	请单击此处	请单击此处	请单击此处

11.2 社区资源

The following links connect to TI community resources. Linked contents are provided "AS IS" by the respective contributors. They do not constitute TI specifications and do not necessarily reflect TI's views; see TI's [Terms of Use](#).

TI E2E™ Online Community *TI's Engineer-to-Engineer (E2E) Community*. Created to foster collaboration among engineers. At e2e.ti.com, you can ask questions, share knowledge, explore ideas and help solve problems with fellow engineers.

Design Support *TI's Design Support* Quickly find helpful E2E forums along with design support tools and contact information for technical support.

11.3 商标

E2E is a trademark of Texas Instruments.

WEBENCH is a registered trademark of Texas Instruments.

All other trademarks are the property of their respective owners.

11.4 静电放电警告



这些装置包含有限的内置 ESD 保护。存储或装卸时，应将导线一起截短或将装置放置于导电泡棉中，以防止 MOS 门极遭受静电损伤。

11.5 Glossary

[SLYZ022](#) — *TI Glossary*.

This glossary lists and explains terms, acronyms, and definitions.

12 机械、封装和可订购信息

以下页中包括机械、封装和可订购信息。 这些信息是针对指定器件可提供的最新数据。 这些数据会在无通知且不对本文档进行修订的情况下发生改变。 欲获得该数据表的浏览器版本，请查阅左侧的导航栏。

PACKAGING INFORMATION

Orderable Device	Status (1)	Package Type	Package Drawing	Pins	Package Qty	Eco Plan (2)	Lead finish/ Ball material (6)	MSL Peak Temp (3)	Op Temp (°C)	Device Marking (4/5)	Samples
LM5117PMH/NOPB	ACTIVE	HTSSOP	PWP	20	73	RoHS & Green	SN	Level-3-260C-168 HR	-40 to 125	LM5117 PMH	Samples
LM5117PMHE/NOPB	ACTIVE	HTSSOP	PWP	20	250	RoHS & Green	SN	Level-3-260C-168 HR	-40 to 125	LM5117 PMH	Samples
LM5117PMHX/NOPB	ACTIVE	HTSSOP	PWP	20	2500	RoHS & Green	SN	Level-3-260C-168 HR	-40 to 125	LM5117 PMH	Samples
LM5117PSQ/NOPB	ACTIVE	WQFN	RTW	24	1000	RoHS & Green	SN	Level-1-260C-UNLIM	-40 to 125	L5117P	Samples
LM5117PSQE/NOPB	ACTIVE	WQFN	RTW	24	250	RoHS & Green	SN	Level-1-260C-UNLIM	-40 to 125	L5117P	Samples
LM5117PSQX/NOPB	ACTIVE	WQFN	RTW	24	4500	RoHS & Green	SN	Level-1-260C-UNLIM	-40 to 125	L5117P	Samples
LM5117QPMH/NOPB	ACTIVE	HTSSOP	PWP	20	73	RoHS & Green	SN	Level-3-260C-168 HR	-40 to 125	LM5117 QMH	Samples
LM5117QPMHE/NOPB	ACTIVE	HTSSOP	PWP	20	250	RoHS & Green	SN	Level-3-260C-168 HR	-40 to 125	LM5117 QMH	Samples
LM5117QPMHX/NOPB	ACTIVE	HTSSOP	PWP	20	2500	RoHS & Green	SN	Level-3-260C-168 HR	-40 to 125	LM5117 QMH	Samples
LM5117QPSQ/NOPB	ACTIVE	WQFN	RTW	24	1000	RoHS & Green	SN	Level-1-260C-UNLIM	-40 to 125	L5117Q	Samples
LM5117QPSQE/NOPB	ACTIVE	WQFN	RTW	24	250	RoHS & Green	SN	Level-1-260C-UNLIM	-40 to 125	L5117Q	Samples
LM5117QPSQX/NOPB	ACTIVE	WQFN	RTW	24	4500	RoHS & Green	SN	Level-1-260C-UNLIM	-40 to 125	L5117Q	Samples

(1) The marketing status values are defined as follows:

ACTIVE: Product device recommended for new designs.

LIFEBUY: TI has announced that the device will be discontinued, and a lifetime-buy period is in effect.

NRND: Not recommended for new designs. Device is in production to support existing customers, but TI does not recommend using this part in a new design.

PREVIEW: Device has been announced but is not in production. Samples may or may not be available.

OBSELETE: TI has discontinued the production of the device.

(2) **RoHS:** TI defines "RoHS" to mean semiconductor products that are compliant with the current EU RoHS requirements for all 10 RoHS substances, including the requirement that RoHS substance do not exceed 0.1% by weight in homogeneous materials. Where designed to be soldered at high temperatures, "RoHS" products are suitable for use in specified lead-free processes. TI may reference these types of products as "Pb-Free".

RoHS Exempt: TI defines "RoHS Exempt" to mean products that contain lead but are compliant with EU RoHS pursuant to a specific EU RoHS exemption.

Green: TI defines "Green" to mean the content of Chlorine (Cl) and Bromine (Br) based flame retardants meet JS709B low halogen requirements of ≤ 1000 ppm threshold. Antimony trioxide based flame retardants must also meet the ≤ 1000 ppm threshold requirement.

(3) MSL, Peak Temp. - The Moisture Sensitivity Level rating according to the JEDEC industry standard classifications, and peak solder temperature.

(4) There may be additional marking, which relates to the logo, the lot trace code information, or the environmental category on the device.

(5) Multiple Device Markings will be inside parentheses. Only one Device Marking contained in parentheses and separated by a "~" will appear on a device. If a line is indented then it is a continuation of the previous line and the two combined represent the entire Device Marking for that device.

(6) Lead finish/Ball material - Orderable Devices may have multiple material finish options. Finish options are separated by a vertical ruled line. Lead finish/Ball material values may wrap to two lines if the finish value exceeds the maximum column width.

Important Information and Disclaimer: The information provided on this page represents TI's knowledge and belief as of the date that it is provided. TI bases its knowledge and belief on information provided by third parties, and makes no representation or warranty as to the accuracy of such information. Efforts are underway to better integrate information from third parties. TI has taken and continues to take reasonable steps to provide representative and accurate information but may not have conducted destructive testing or chemical analysis on incoming materials and chemicals. TI and TI suppliers consider certain information to be proprietary, and thus CAS numbers and other limited information may not be available for release.

In no event shall TI's liability arising out of such information exceed the total purchase price of the TI part(s) at issue in this document sold by TI to Customer on an annual basis.

TAPE AND REEL INFORMATION

QUADRANT ASSIGNMENTS FOR PIN 1 ORIENTATION IN TAPE

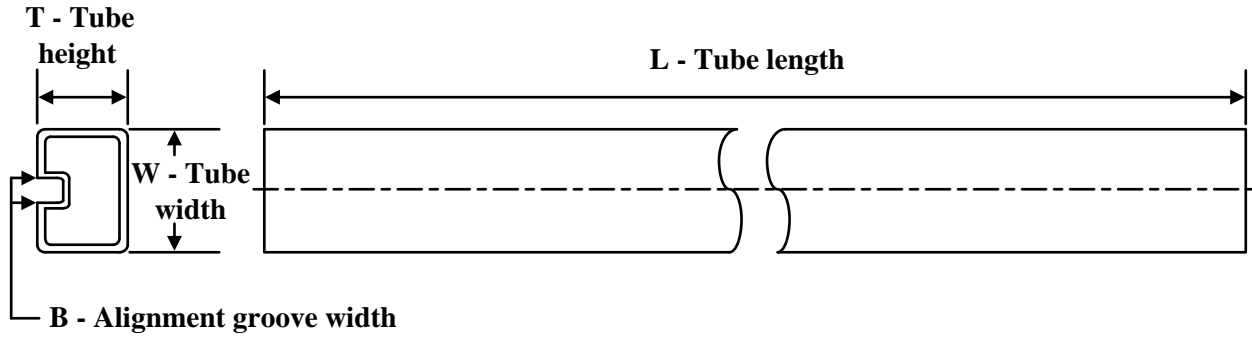

*All dimensions are nominal

Device	Package Type	Package Drawing	Pins	SPQ	Reel Diameter (mm)	Reel Width W1 (mm)	A0 (mm)	B0 (mm)	K0 (mm)	P1 (mm)	W (mm)	Pin1 Quadrant
LM5117PMHE/NOPB	HTSSOP	PWP	20	250	178.0	16.4	6.95	7.1	1.6	8.0	16.0	Q1
LM5117PMHX/NOPB	HTSSOP	PWP	20	2500	330.0	16.4	6.95	7.1	1.6	8.0	16.0	Q1
LM5117PSQ/NOPB	WQFN	RTW	24	1000	178.0	12.4	4.3	4.3	1.3	8.0	12.0	Q1
LM5117PSQE/NOPB	WQFN	RTW	24	250	178.0	12.4	4.3	4.3	1.3	8.0	12.0	Q1
LM5117PSQX/NOPB	WQFN	RTW	24	4500	330.0	12.4	4.3	4.3	1.3	8.0	12.0	Q1
LM5117QPMHE/NOPB	HTSSOP	PWP	20	250	178.0	16.4	6.95	7.1	1.6	8.0	16.0	Q1
LM5117QPMHX/NOPB	HTSSOP	PWP	20	2500	330.0	16.4	6.95	7.1	1.6	8.0	16.0	Q1
LM5117QPSQ/NOPB	WQFN	RTW	24	1000	178.0	12.4	4.3	4.3	1.3	8.0	12.0	Q1
LM5117QPSQE/NOPB	WQFN	RTW	24	250	178.0	12.4	4.3	4.3	1.3	8.0	12.0	Q1
LM5117QPSQX/NOPB	WQFN	RTW	24	4500	330.0	12.4	4.3	4.3	1.3	8.0	12.0	Q1

TAPE AND REEL BOX DIMENSIONS

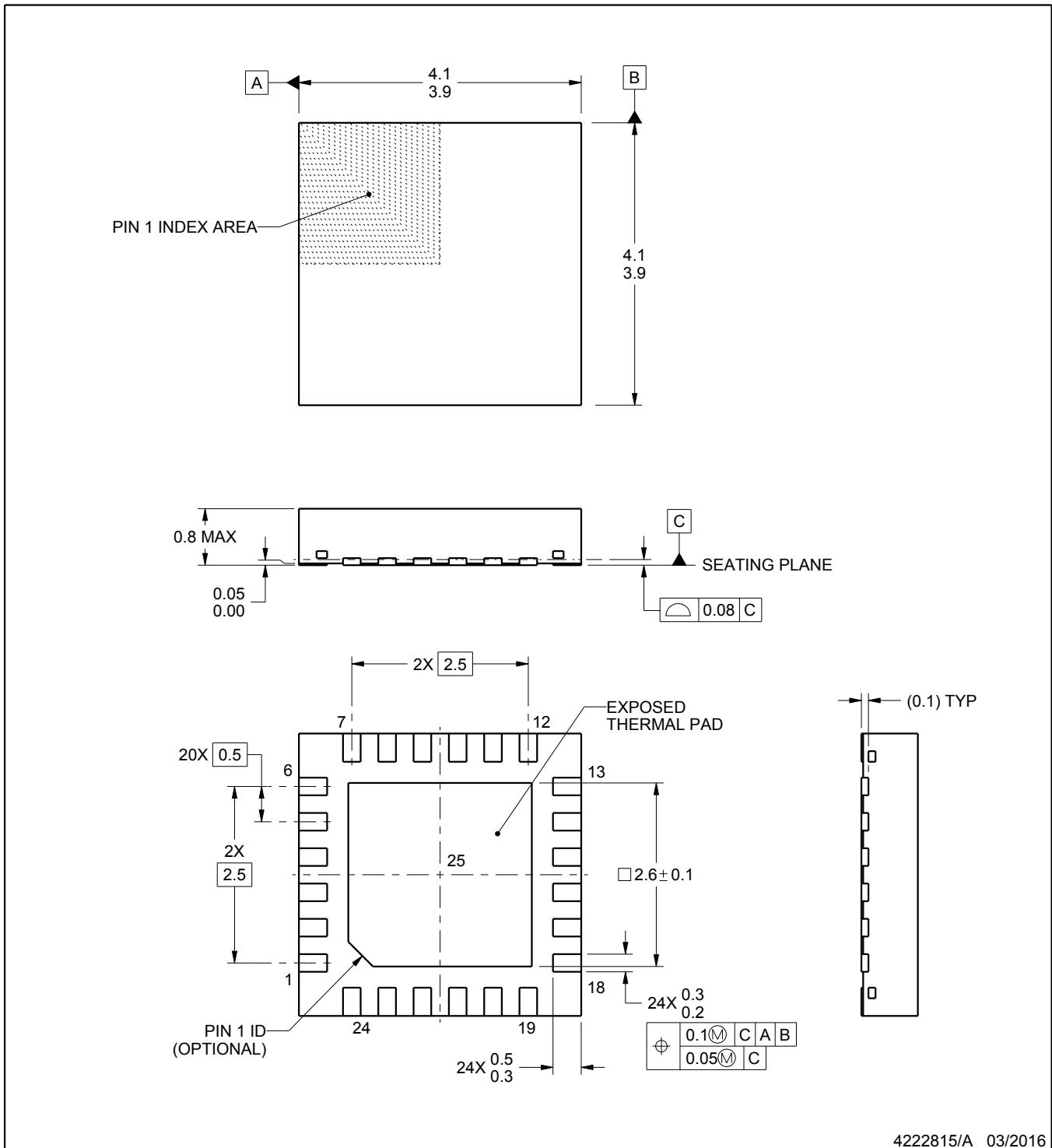
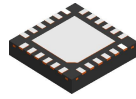

*All dimensions are nominal

Device	Package Type	Package Drawing	Pins	SPQ	Length (mm)	Width (mm)	Height (mm)
LM5117PMHE/NOPB	HTSSOP	PWP	20	250	208.0	191.0	35.0
LM5117PMHX/NOPB	HTSSOP	PWP	20	2500	356.0	356.0	35.0
LM5117PSQ/NOPB	WQFN	RTW	24	1000	208.0	191.0	35.0
LM5117PSQE/NOPB	WQFN	RTW	24	250	208.0	191.0	35.0
LM5117PSQX/NOPB	WQFN	RTW	24	4500	367.0	367.0	35.0
LM5117QPMHE/NOPB	HTSSOP	PWP	20	250	208.0	191.0	35.0
LM5117QPMHX/NOPB	HTSSOP	PWP	20	2500	356.0	356.0	35.0
LM5117QPSQ/NOPB	WQFN	RTW	24	1000	208.0	191.0	35.0
LM5117QPSQE/NOPB	WQFN	RTW	24	250	208.0	191.0	35.0
LM5117QPSQX/NOPB	WQFN	RTW	24	4500	367.0	367.0	35.0

TUBE


*All dimensions are nominal

Device	Package Name	Package Type	Pins	SPQ	L (mm)	W (mm)	T (μm)	B (mm)
LM5117PMH/NOPB	PWP	HTSSOP	20	73	495	8	2514.6	4.06
LM5117QPMH/NOPB	PWP	HTSSOP	20	73	495	8	2514.6	4.06



4222815/A 03/2016

NOTES:

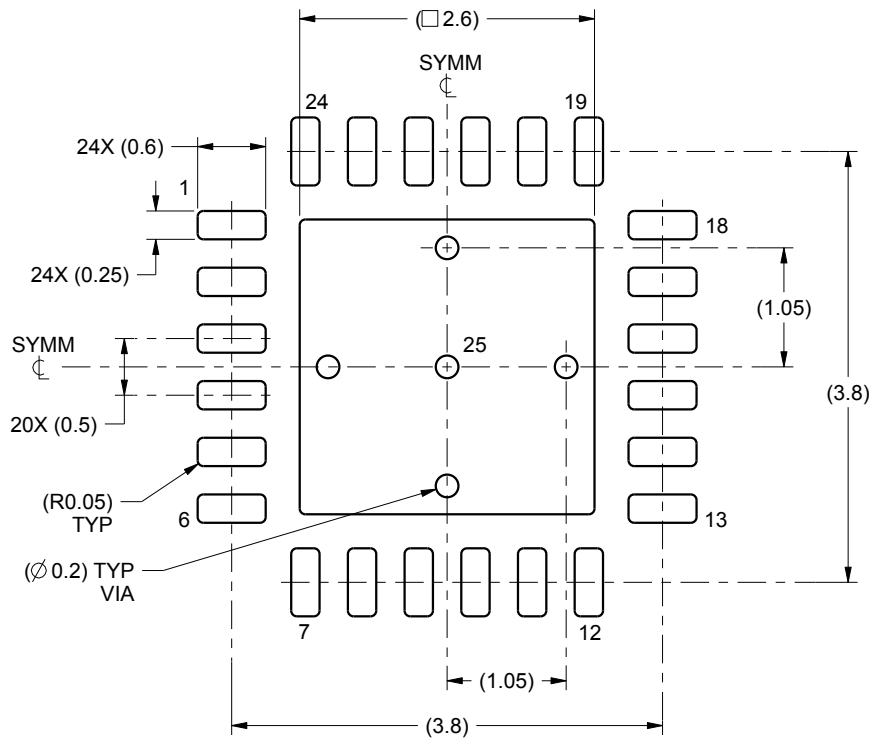
1. All linear dimensions are in millimeters. Any dimensions in parenthesis are for reference only. Dimensioning and tolerancing per ASME Y14.5M.
2. This drawing is subject to change without notice.
3. The package thermal pad must be soldered to the printed circuit board for thermal and mechanical performance.

EXAMPLE BOARD LAYOUT

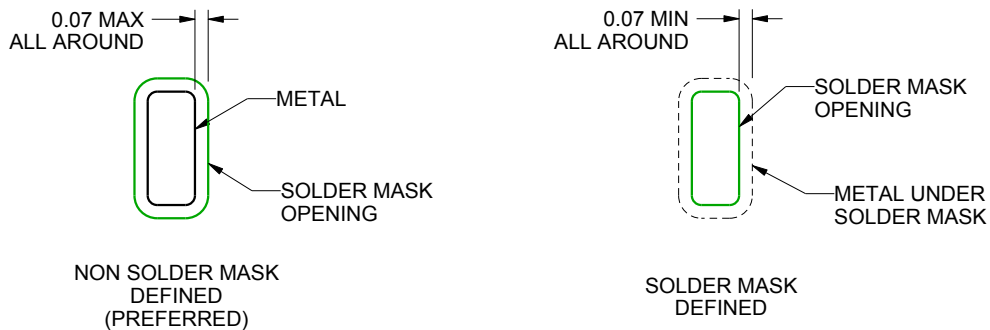
RTW0024A

WQFN - 0.8 mm max height

PLASTIC QUAD FLATPACK - NO LEAD



LAND PATTERN EXAMPLE
SCALE:15X



SOLDER MASK DETAILS

4222815/A 03/2016

NOTES: (continued)

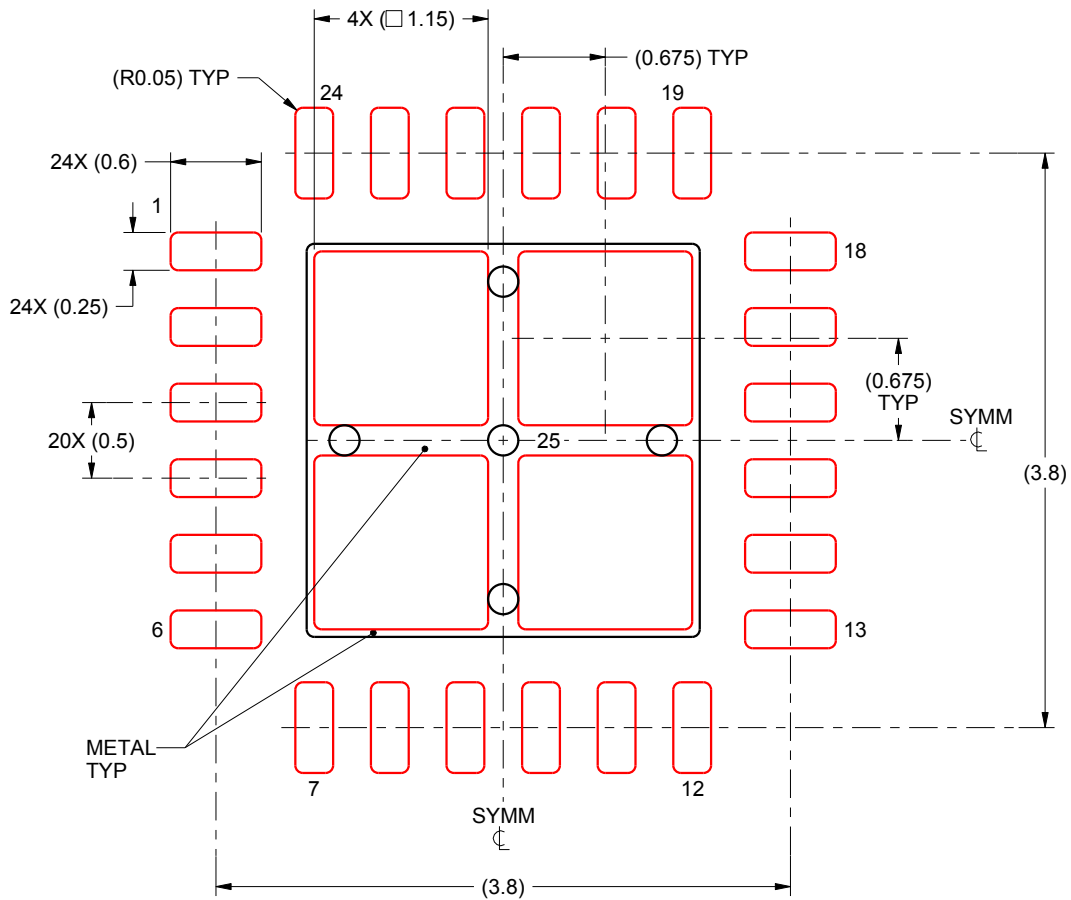
4. This package is designed to be soldered to a thermal pad on the board. For more information, see Texas Instruments literature number SLUA271 (www.ti.com/lit/sluea271).

EXAMPLE STENCIL DESIGN

RTW0024A

WQFN - 0.8 mm max height

PLASTIC QUAD FLATPACK - NO LEAD



SOLDER PASTE EXAMPLE
BASED ON 0.125 mm THICK STENCIL

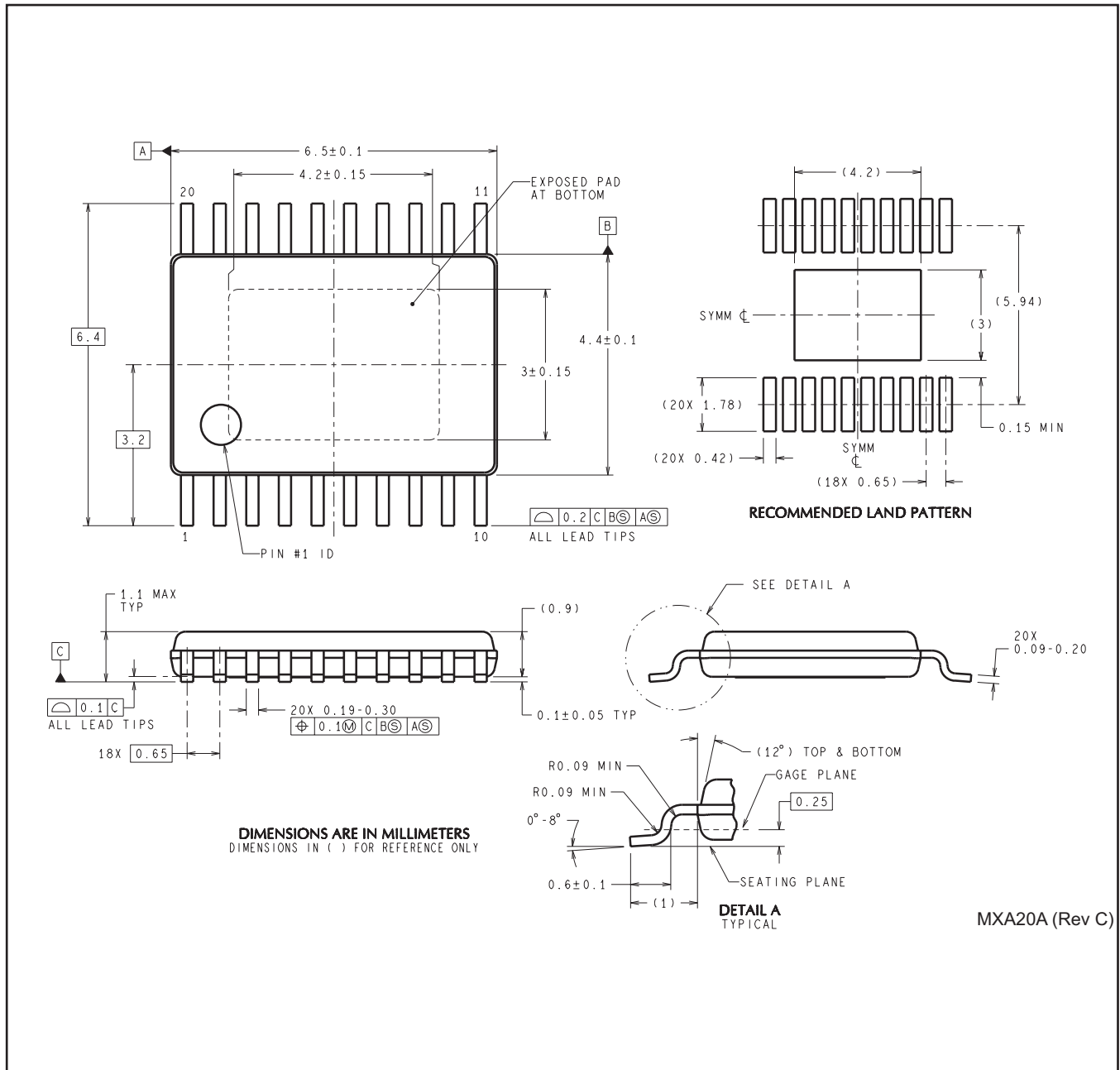
EXPOSED PAD 25:
78% PRINTED SOLDER COVERAGE BY AREA UNDER PACKAGE
SCALE:20X

4222815/A 03/2016

NOTES: (continued)

5. Laser cutting apertures with trapezoidal walls and rounded corners may offer better paste release. IPC-7525 may have alternate design recommendations.

PWP0020A



重要声明和免责声明

TI“按原样”提供技术和可靠性数据（包括数据表）、设计资源（包括参考设计）、应用或其他设计建议、网络工具、安全信息和其他资源，不保证没有瑕疵且不做任何明示或暗示的担保，包括但不限于对适销性、某特定用途方面的适用性或不侵犯任何第三方知识产权的暗示担保。

这些资源可供使用 TI 产品进行设计的熟练开发人员使用。您将自行承担以下全部责任：(1) 针对您的应用选择合适的 TI 产品，(2) 设计、验证并测试您的应用，(3) 确保您的应用满足相应标准以及任何其他功能安全、信息安全、监管或其他要求。

这些资源如有变更，恕不另行通知。TI 授权您仅可将这些资源用于研发本资源所述的 TI 产品的应用。严禁对这些资源进行其他复制或展示。您无权使用任何其他 TI 知识产权或任何第三方知识产权。您应全额赔偿因在这些资源的使用中对 TI 及其代表造成的任何索赔、损害、成本、损失和债务，TI 对此概不负责。

TI 提供的产品受 [TI 的销售条款](#) 或 [ti.com](#) 上其他适用条款/TI 产品随附的其他适用条款的约束。TI 提供这些资源并不会扩展或以其他方式更改 TI 针对 TI 产品发布的适用的担保或担保免责声明。

TI 反对并拒绝您可能提出的任何其他或不同的条款。

邮寄地址：Texas Instruments, Post Office Box 655303, Dallas, Texas 75265

Copyright © 2022，德州仪器 (TI) 公司