

## 具有低 $I_Q$ 的 LM25141-Q1 2.2MHz、42V 同步降压控制器

### 1 特性

- 符合面向汽车应用的 AEC-Q100 标准：
  - 器件温度等级 1：环境工作温度范围为  $-40^{\circ}\text{C}$  至  $+125^{\circ}\text{C}$
  - 器件 HBM ESD 分类等级 2
  - 器件 CDM ESD 分类等级 C4B
- $V_{\text{IN}}$  3.8V 至 42V（绝对最大值 47V）
- 输出：固定电压 3.3V、5V 或可调电压 1.5V 至 15V（精度  $\pm 0.8\%$ ）
- 通过改变模拟电压或  $R_T$  电阻实现可选变频
- 符合 CISPR 25 / EN 55025 EMI 标准
  - 2.2MHz 或 440kHz 固定开关频率，精度为  $\pm 5\%$
  - 具有压摆率控制的高侧和低侧栅极驱动器
  - 可选扩展频谱
- 可选择与外部时钟保持同步
- 关断模式  $I_Q$ ：10 $\mu\text{A}$ （典型值）
- 低功耗待机模式  $I_Q$ ：35 $\mu\text{A}$ （典型值）
- 限流阈值为 75mV，精度为  $\pm 0.9\%$
- 外部电阻或 DCR 电流感测
- 输出使能逻辑输入
- 针对持续过载条件的断续模式
- 电源正常指示输出
- 可选二极管仿真或强制 PWM
- 具有可湿性侧面的 VQFN-24 封装
- 使用 LM25141-Q1 并借助 [WEBENCH® 电源设计器](#) 创建定制设计

### 2 应用

- 汽车应用包括：
  - 信息娱乐系统
  - 仪表板
  - 高级驾驶员辅助系统 (ADAS)

### 3 说明

LM25141-Q1 是一款同步降压转换器，适用于高电压宽输入电压降压稳压器应用。控制方法为峰值电流模式控制。电流模式控制可提供内部线路前馈、逐周期电流限制和简化的环路补偿。LM25141-Q1 具有压摆率控制功能，能够轻松满足 CISPR 和汽车 EMI 要求。

LM25141-Q1 有两种开关频率可选：2.2MHz 和 440kHz。栅极驱动器具有压摆率控制功能，可通过调整来降低 EMI。

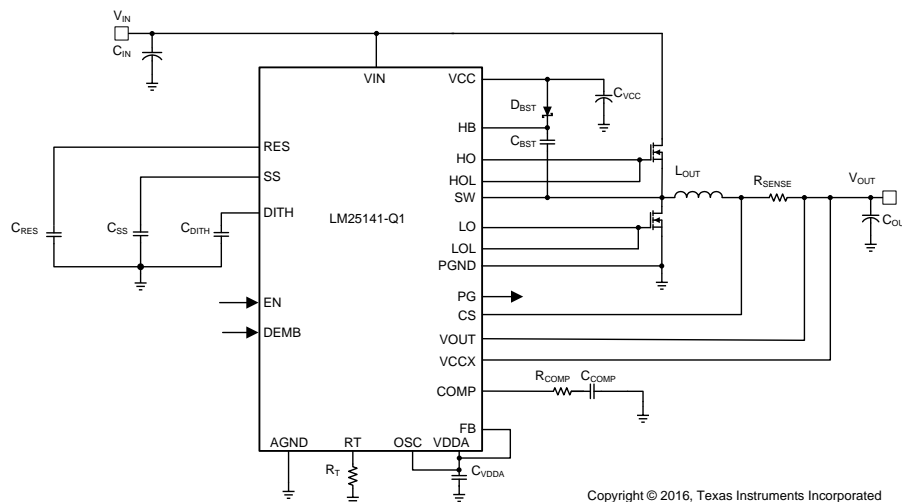
在轻负载或无负载条件下，LM25141-Q1 通过以跳周期模式运行来提升低功耗效率。LM25141-Q1 具备能够自动切换至外部偏置电源的高电压偏置稳压器，可以降低来自  $V_{\text{IN}}$  的  $I_Q$  电流。其他功能包括频率同步、逐周期电流限制、持续过载情况下的间断模式故障保护以及电源正常输出。

器件信息<sup>(1)</sup>

| 器件型号       | 封装        | 封装尺寸（标称值）       |
|------------|-----------|-----------------|
| LM25141-Q1 | VQFN (24) | 4.00mm x 4.00mm |

(1) 如需了解所有可用封装，请参阅数据表末尾的可订购产品附录。

简化原理图



Copyright © 2016, Texas Instruments Incorporated



## 目录

|   |  |
|---|--|
| <p><b>1 特性</b> ..... 1</p> <p><b>2 应用</b> ..... 1</p> <p><b>3 说明</b> ..... 1</p> <p><b>4 修订历史记录</b> ..... 2</p> <p><b>5 Pin Configuration and Functions</b> ..... 3</p> <p><b>6 Specifications</b> ..... 5</p> <p>  6.1 Absolute Maximum Ratings ..... 5</p> <p>  6.2 ESD Ratings ..... 5</p> <p>  6.3 Recommended Operating Conditions ..... 6</p> <p>  6.4 Thermal Information ..... 6</p> <p>  6.5 Electrical Characteristics ..... 6</p> <p>  6.6 Switching Characteristics ..... 9</p> <p>  6.7 Typical Characteristics ..... 10</p> <p><b>7 Detailed Description</b> ..... 13</p> <p>  7.1 Overview ..... 13</p> <p>  7.2 Functional Block Diagram ..... 13</p> <p>  7.3 Feature Description ..... 14</p> | <p><b>8 Application and Implementation</b> ..... 23</p> <p>  8.1 Application Information ..... 23</p> <p>  8.2 Typical Application ..... 23</p> <p><b>9 Power Supply Recommendations</b> ..... 35</p> <p><b>10 Layout</b> ..... 35</p> <p>  10.1 Layout Guidelines ..... 35</p> <p>  10.2 Layout Examples ..... 36</p> <p><b>11 器件和文档支持</b> ..... 39</p> <p>  11.1 器件支持 ..... 39</p> <p>  11.2 文档支持 ..... 39</p> <p>  11.3 接收文档更新通知 ..... 40</p> <p>  11.4 社区资源 ..... 40</p> <p>  11.5 商标 ..... 40</p> <p>  11.6 静电放电警告 ..... 40</p> <p>  11.7 Glossary ..... 40</p> <p><b>12 机械、封装和可订购信息</b> ..... 40</p> |
|---|--|

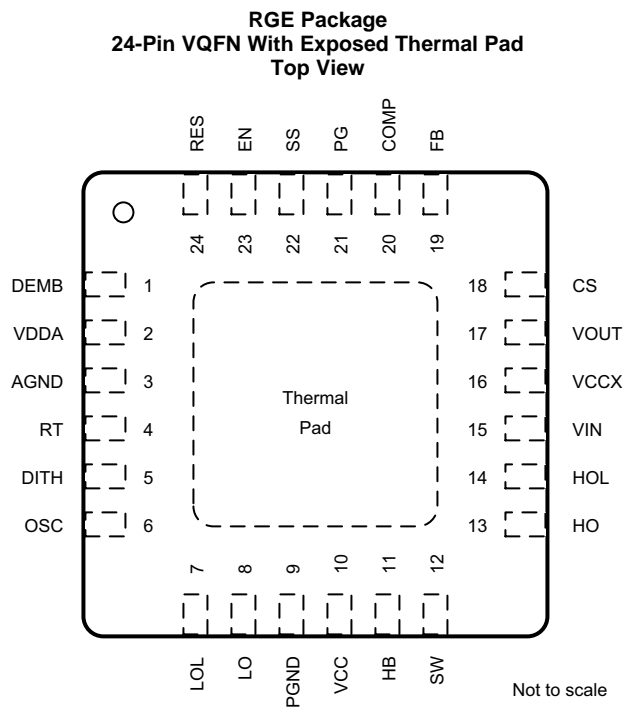
## 4 修订历史记录

### Changes from Original (March 2017) to Revision A

**Page**

|   |                              |
|---|------------------------------|
| <ul style="list-style-type: none"> <li>• 已添加 TI Design 参考设计顶部导航图标 ..... 1</li> <li>• Changed EVM MOSFET part number from: "CDS18534Q5A" to: "CSD18534Q5A" ..... 29</li> <li>• Changed "+" to "x" in <a href="#">Equation 55</a> ..... 33</li> </ul> | <p>1</p> <p>29</p> <p>33</p> |
|---|------------------------------|

## 5 Pin Configuration and Functions



Connect Exposed Pad on bottom to AGND and PGND on the PCB.

### Pin Functions

| PIN |      | TYPE | DESCRIPTION   |
|-----|------|------|---|
| NO. | NAME |      |   |
| 1   | DEMB | I    | Diode Emulation pin. Connect the DEMB pin to AGND to enable diode emulation. If it is connected to VDDA, the LM25141-Q1 operates in Forced PWM (FPWM) mode with continuous conduction at light loads. The DEMB pin can also be used as a synchronization input to synchronize the internal oscillator to an external clock.   |
| 2   | VDDA | P    | Internal analog bias regulator output. Connect a capacitor from the VDDA pin to AGND.   |
| 3   | AGND | G    | Analog ground connection. Ground return for the internal voltage reference and analog circuits.   |
| 4   | RT   | I    | A resistor from the RT pin to ground shifts the oscillator frequency up or down from 2.2 MHz (1.8 MHz to 2.53 MHz), or 440 kHz (300 kHz to 500 kHz). An analog voltage can be applied to the RT pin (through a resistor) to shift the oscillator frequency.   |
| 5   | DITH | O    | A capacitor connected between the DITH pin and AGND is charged and discharged with a 20- $\mu$ A current source. If Dither is enabled, the voltage on the DITH pin ramps up and down, modulating the oscillator frequency between -5% and +5% of the internal oscillator. Connecting DITH to VDDA disables the dithering feature. DITH is ignored if an external synchronization clock is used. |
| 6   | OSC  | I    | Frequency selection pin. Connecting the OSC pin to VDDA sets the oscillator frequency to 2.2 MHz. Connecting the OSC pin to AGND sets the frequency to 440 kHz.   |
| 7   | LOL  | O    | Low-side gate driver turnoff output.  |
| 8   | LO   | O    | Low-side gate driver turnon output.   |
| 9   | PGND | G    | Power ground connection pin for low-side NMOS gate driver.  |
| 10  | VCC  | P    | VCC bias supply pin. Connect a capacitor from the VCC pin to PGND.  |
| 11  | HB   | P    | High-side driver supply for bootstrap gate drive.   |
| 12  | SW   |      | Switching node of the buck regulator. Connect to the bootstrap capacitor, the source terminal of the high-side MOSFET, and the drain terminal of the low-side MOSFET.   |
| 13  | HO   | O    | High-side gate driver turnon output.  |
| 14  | HOL  | O    | High-side gate driver turnoff output.   |

**Pin Functions (continued)**

| PIN |      | TYPE | DESCRIPTION   |
|-----|------|------|---|
| NO. | NAME |      |   |
| 15  | VIN  | P    | Supply voltage input source for the VCC regulator   |
| 16  | VCCX | P    | Optional input for an external bias supply. If VCCX > 4.5 V, VCCX is internally connected to the VCC pin and the internal VCC regulator is disabled. If VCCX is unused, it must be grounded.  |
| 17  | VOUT | I    | Current sense amplifier input. Connect this pin to the output side of the current sense resistor.   |
| 18  | CS   | I    | Current sense amplifier input. Make a low current Kelvin connection between this pin and the inductor side of the external current sense resistor.  |
| 19  | FB   | I    | Connect the FB pin to VDDA for a fixed 3.3-V output or connect FB to AGND for a fixed 5-V output. Connecting the FB pin to the appropriate output divider network sets the output voltage between 1.5 V and 15 V. The regulation threshold at the FB pin is 1.2 V.  |
| 20  | COMP | I    | Output of the transconductance error amplifier.   |
| 21  | PG   | O    | An open-collector output which switches low if V <sub>OUT</sub> is outside of the power good window.  |
| 22  | SS   | I    | Soft-start programming pin. An external capacitor and an internal 20- $\mu$ A current source set the ramp rate of the internal error amplifier reference during soft start. Pulling SS pin below 80 mV turns off the gate driver outputs, but all the other functions remain active.  |
| 23  | EN   | I    | An active high logic input enables the controller.  |
| 24  | RES  | O    | Restart timer pin. An external capacitor configures the hiccup mode current limiting. The capacitor at the RES pin determines the time the controller will remain off before automatically restarting in hiccup mode. The hiccup mode commences when the controller experiences 512 consecutive PWM cycles with cycle-by-cycle current limiting. Connecting the RES pin to VDD during power up disables hiccup mode protection. |

## 6 Specifications

### 6.1 Absolute Maximum Ratings

over operating free-air temperature range (unless otherwise noted)<sup>(1)</sup>

|   |                                    | MIN  | MAX       | UNIT |
|---|------------------------------------|------|-----------|------|
| Input voltage                                 | VIN                                | -0.3 | 47        | V    |
|   | SW to PGND                         | -0.3 | 47        | V    |
|   | SW to PGND (20-ns transient)       | -5   |           | V    |
|   | HB to SW                           | -0.3 | 6.5       | V    |
|   | HB to SW (20-ns transient)         | -5   |           | V    |
|   | HO, HOL to SW                      | -0.3 | HB + 0.3  | V    |
|   | HO, HOL to SW (20-ns transient)    | -5   |           | V    |
|   | LO, LOL to PGND                    | -0.3 | VCC + 0.3 | V    |
|   | LO, LOL to PGND (20-ns transient)  | -1.5 |           | V    |
|   | OSC, SS, COMP, RES, DEMB, RT, DITH | -0.3 | VDD + 0.3 | V    |
|   | EN to PGND                         | -0.3 | 47        | V    |
|   | VCC, VCCX, VDD, PG, FB             | -0.3 | 6.5       | V    |
|   | VOUT, CS                           | -0.3 | 15.5      | V    |
| PGND to AGND                                  |                                    | -0.3 | 0.3       | V    |
| Operating junction temperature <sup>(2)</sup> |                                    | -40  | 150       | °C   |
| Storage temperature, T <sub>stg</sub>         |                                    | -65  | 150       | °C   |

(1) Stresses beyond those listed under *Absolute Maximum Ratings* may cause permanent damage to the device. These are stress ratings only, which do not imply functional operation of the device at these or any other conditions beyond those indicated under *Recommended Operating Conditions*. Exposure to absolute-maximum-rated conditions for extended periods may affect device reliability.

(2) High junction temperatures degrade operating lifetimes. Operating lifetime is de-rated for junction temperatures greater than 125°C.

### 6.2 ESD Ratings

|  |   | VALUE                                     | UNIT |      |
|--|---|---|------|------|
| V <sub>(ESD)</sub> Electrostatic discharge | Human-body model (HBM), per AEC Q100-002 <sup>(1)</sup> | ±2000                                     | V    |      |
|  | Charged-device model (CDM), per AEC Q100-011            | All pins except 1,6,7,12,13,18,19, and 24 |      | ±500 |
|  |   | Pins 1,6,7,12,13,18,19, and 24            |      | ±750 |

(1) AEC Q100-002 indicates that HBM stressing shall be in accordance with the ANSI/ESDA/JEDEC JS-001 specification.

### 6.3 Recommended Operating Conditions

 over operating free-air temperature range (unless otherwise noted)<sup>(1)</sup>

|   |                                  | MIN  | NOM | MAX      | UNIT |
|---|----------------------------------|------|-----|----------|------|
| V <sub>IN</sub>                               | Input voltage                    |      |     |          |      |
|   | VIN                              | 3.8  |     | 42       | V    |
|   | SW to PGND                       | -0.3 |     | 42       | V    |
|   | HB to SW                         | -0.3 | 5   | 5.25     | V    |
|   | HO, HOL to SW                    | -0.3 |     | HB + 0.3 | V    |
|   | LO, LOL to PGND                  | -0.3 | 5   | 5.25     | V    |
|   | FB, PG, OSC, SS, RES, DEMB, VCCX | -0.3 |     | 5        | V    |
|   | EN to PGND                       | -0.3 |     | 42       | V    |
|   | VCC, VDD                         | -0.3 | 5   | 5.25     | V    |
|   | VOUT, CS                         | 1.5  | 5   | 15       | V    |
| PGND to AGND                                  |                                  | -0.3 |     | 0.3      | V    |
| Operating junction temperature <sup>(2)</sup> |                                  | -40  |     | 150      | °C   |

- (1) *Recommended Operating Conditions* are conditions under which the device is intended to be functional. For specifications and test conditions, see [Electrical Characteristics](#).
- (2) High junction temperatures degrade operating lifetimes. Operating lifetime is de-rated for junction temperatures greater than 125°C.

### 6.4 Thermal Information

| THERMAL METRIC <sup>(1)</sup> |  | LM25141-Q1 | UNIT |
|-------------------------------|--|------------|------|
|                               |  | RGE (VQFN) |      |
|                               |  | 24 PINS    |      |
| R <sub>θJA</sub>              | Junction-to-ambient thermal resistance       | 34.1       | °C/W |
| R <sub>θJC(top)</sub>         | Junction-to-case (top) thermal resistance    | 36.8       | °C/W |
| R <sub>θJB</sub>              | Junction-to-board thermal resistance         | 12.1       | °C/W |
| ψ <sub>JT</sub>               | Junction-to-top characterization parameter   | 0.5        | °C/W |
| ψ <sub>JB</sub>               | Junction-to-board characterization parameter | 12.2       | °C/W |
| R <sub>θJC(bot)</sub>         | Junction-to-case (bottom) thermal resistance | 2.9        | °C/W |

- (1) For more information about traditional and new thermal metrics, see the [Semiconductor and IC Package Thermal Metrics](#) application report.

### 6.5 Electrical Characteristics

T<sub>J</sub> = -40°C to +125°C; typical values T<sub>J</sub> = 25°C, V<sub>IN</sub> = 12 V, VCCX = 5 V, V<sub>OUT</sub> = 5 V, EN = 5 V, OSC = VDD, F<sub>SW</sub> = 2.2 MHz, no-load on the drive outputs (HO, HOL, LO, and LOL outputs), over operating free-air temperature range (unless otherwise noted)<sup>(1)(2)</sup>

| PARAMETER                 | TEST CONDITIONS            | MIN   | TYP  | MAX  | UNIT |    |
|---------------------------|----------------------------|---|------|------|------|----|
| <b>VIN SUPPLY VOLTAGE</b> |                            |   |      |      |      |    |
| I <sub>SHUTDOWN</sub>     | Shutdown mode current      | V <sub>IN</sub> = 8–18 V, EN = 0 V, VCCX = 0 V  | 10   | 12.5 | μA   |    |
| I <sub>STANDBY</sub>      | Standby current            | EN = 5 V, FB = VDD, V <sub>OUT</sub> in regulation, no-load, not switching, DEMB = GND              | 35   | 45   | μA   |    |
|                           |                            | EN = 5 V, FB = 0 V, V <sub>OUT</sub> in regulation, no-load, not switching, VCCX = 5 V, DEMB = GND. | 42   | 55   |      |    |
| <b>VCC REGULATOR</b>      |                            |   |      |      |      |    |
| VCC <sub>(REG)</sub>      | VCC regulation voltage     | V <sub>IN</sub> = 6–18 V, 0–75 mA, VCCX = 0 V   | 4.75 | 5    | 5.25 | V  |
| VCC <sub>(UVLO)</sub>     | VCC undervoltage threshold | VCC rising, VCCX = 0 V  | 3.25 | 3.4  | 3.55 | V  |
| VCC <sub>(HYST)</sub>     | VCC hysteresis voltage     | VCCX = 0 V  |      | 175  |      | mV |
| I <sub>CC(LIM)</sub>      | VCC sourcing current limit | VCCX = 0 V  | 85   | 125  |      | mA |

- (1) All minimum and maximum limits are specified by correlating the electrical characteristics to process and temperature variations and applying statistical process control.
- (2) The junction temperature (T<sub>J</sub> in °C) is calculated from the ambient temperature (T<sub>A</sub> in °C) and power dissipation (P<sub>D</sub> in Watts) as follows: T<sub>J</sub> = T<sub>A</sub> + (P<sub>D</sub> × R<sub>θJA</sub>) where R<sub>θJA</sub> (in °C/W) is the package thermal impedance provided in the [Thermal Information](#) section.

**Electrical Characteristics (continued)**

$T_J = -40^{\circ}\text{C}$  to  $+125^{\circ}\text{C}$ ; typical values  $T_J = 25^{\circ}\text{C}$ ,  $V_{IN} = 12\text{ V}$ ,  $V_{CCX} = 5\text{ V}$ ,  $V_{OUT} = 5\text{ V}$ ,  $EN = 5\text{ V}$ ,  $OSC = V_{DD}$ ,  $F_{SW} = 2.2\text{ MHz}$ , no-load on the drive outputs (HO, HOL, LO, and LOL outputs), over operating free-air temperature range (unless otherwise noted)<sup>(1)(2)</sup>

| PARAMETER                           |  | TEST CONDITIONS                                   | MIN       | TYP  | MAX   | UNIT          |
|-------------------------------------|--|---|-----------|------|-------|---------------|
| <b>VDDA</b>                         |  |   |           |      |       |               |
| $V_{DDA(\text{REG})}$               | Internal bias supply power   | $V_{CCX} = 0\text{ V}$                            | 4.75      | 5    | 5.25  | V             |
| $V_{DDA(\text{UVLO})}$              |  | VCC rising, $V_{CCX} = 0\text{ V}$                | 3.1       | 3.2  | 3.3   | V             |
| $V_{DDA(\text{HYST})}$              |  | $V_{CCX} = 0\text{ V}$                            |           | 125  |       | mV            |
| $R_{VDDA}$                          |  | $V_{CCX} = 0\text{ V}$                            |           | 55   |       | $\Omega$      |
| <b>VCCX</b>                         |  |   |           |      |       |               |
| $V_{CCX(\text{ON})}$                |  | VCC rising  | 4.1       | 4.3  | 4.4   | V             |
| $V_{CCX(\text{HYST})}$              |  |   |           | 80   |       | mV            |
| $R_{(VCCX)}$                        |  | $V_{CCX} = 5\text{ V}$                            |           | 2    |       | $\Omega$      |
| <b>OSCILLATOR SELECT THRESHOLDS</b> |  |   |           |      |       |               |
|                                     | Oscillator select threshold 2.2 MHz                                    | (OSC pin)   | 2         |      |       | V             |
|                                     | Oscillator select threshold 440 kHz                                    | (OSC pin)   |           |      | 0.8   | V             |
| <b>CURRENT LIMIT</b>                |  |   |           |      |       |               |
| $V_{(\text{CS})}$                   | Current limit threshold  | ILSET = VDDA, measure from CS to $V_{\text{OUT}}$ | 68        | 75   | 82    | mV            |
| $t_{\text{dly}}$                    | Current-sense delay to output  |   |           | 40   |       | ns            |
|                                     | Current-sense amplifier gain   |   | 11.4      | 12   | 12.6  | V/V           |
| $I_{\text{CS}(\text{BIAS})}$        | Amplifier input bias   |   |           |      | 10    | nA            |
| <b>RES</b>                          |  |   |           |      |       |               |
| $I_{(\text{RES})}$                  | RES current source   |   |           | 20   |       | $\mu\text{A}$ |
| $V_{(\text{RES})}$                  | RES threshold  |   |           | 1.2  |       | V             |
| $T_{\text{imer}}$                   | Timer hiccup-mode fault  |   |           | 512  |       | cycles        |
| $R_{\text{DS}(\text{ON})}$          | RES pulldown   |   |           | 4    |       | $\Omega$      |
| <b>OUTPUT VOLTAGE REGULATION</b>    |  |   |           |      |       |               |
|                                     | 3.3 V  | $V_{\text{IN}} = 3.8\text{--}42\text{ V}$         | 3.273     | 3.3  | 3.327 | V             |
|                                     | 5 V  | $V_{\text{IN}} = 5.5\text{--}42\text{ V}$         | 4.96      | 5    | 5.04  | V             |
| <b>FEEDBACK</b>                     |  |   |           |      |       |               |
|                                     | $V_{\text{OUT}}$ select threshold 3.3 V                                |   | VDD – 0.3 |      |       | V             |
|                                     | Regulated feedback voltage   |   | 1.193     | 1.2  | 1.207 | V             |
| $\text{FB}_{(\text{LOWRES})}$       | Resistance to ground on FB for FB = 0 detection                        |   |           |      | 500   | $\Omega$      |
| $\text{FB}_{(\text{EXTRES})}$       | Thevenin equivalent resistance at FB for external regulation detection | $\text{FB} < 2\text{ V}$                          | 5         |      |       | k $\Omega$    |
| <b>TRANSCONDUCTANCE AMPLIFIER</b>   |  |   |           |      |       |               |
| $G_m$                               | Gain   | Feedback to COMP                                  | 1010      | 1200 |       | $\mu\text{S}$ |
|                                     | Input bias current   |   |           |      | 15    | nA            |
|                                     | Transconductance amplifier source current                              | COMP = 1 V, FB = 1 V                              |           | 100  |       | $\mu\text{A}$ |
|                                     | Transconductance amplifier sink current                                | COMP = 1 V, FB = 1.4 V                            |           | 100  |       | $\mu\text{A}$ |
| <b>POWER GOOD</b>                   |  |   |           |      |       |               |
| $\text{PG}_{(\text{UV})}$           | PG undervoltage trip levels  | Falling with respect to the regulation voltage    | 90%       | 92%  | 94%   |               |
| $\text{PG}_{(\text{OVP})}$          | PG overvoltage trip levels   | Rising with respect to the regulation voltage     | 108%      | 110% | 112%  |               |
| $\text{PG}_{(\text{HYST})}$         |  |   |           | 3.4% |       |               |
| $\text{PG}_{(\text{VOL})}$          | PG   | Open collector, $I_{\text{sink}} = 2\text{ mA}$   |           |      | 0.4   | V             |

**Electrical Characteristics (continued)**

$T_J = -40^{\circ}\text{C}$  to  $+125^{\circ}\text{C}$ ; typical values  $T_J = 25^{\circ}\text{C}$ ,  $V_{IN} = 12\text{ V}$ ,  $V_{CCX} = 5\text{ V}$ ,  $V_{OUT} = 5\text{ V}$ ,  $EN = 5\text{ V}$ ,  $OSC = V_{DD}$ ,  $F_{SW} = 2.2\text{ MHz}$ , no-load on the drive outputs (HO, HOL, LO, and LOL outputs), over operating free-air temperature range (unless otherwise noted)<sup>(1)(2)</sup>

| PARAMETER                         |  | TEST CONDITIONS   | MIN  | TYP  | MAX  | UNIT          |
|-----------------------------------|--|---|------|------|------|---------------|
| $PG_{(rdly)}$                     | OV filter time                             | $V_{OUT}$ rising  |      | 25   |      | $\mu\text{s}$ |
| $PG_{(fdly)}$                     | UV filter time                             | $V_{OUT}$ falling   |      | 30   |      | $\mu\text{s}$ |
| <b>HO GATE DRIVER</b>             |  |   |      |      |      |               |
| $V_{OLH}$                         | HO low-state output voltage                | $I_{HO} = 100\text{ mA}$  |      | 0.05 |      | V             |
| $V_{OHH}$                         | HO high-state output voltage               | $I_{HO} = -100\text{ mA}$ , $V_{OHH} = V_{HB} - V_{HO}$                                   |      | 0.07 |      | V             |
| $t_{rHO}$                         | HO rise time (10% to 90%)                  | $C_{LOAD} = 2700\text{ pF}$   |      | 4    |      | ns            |
| $t_{fHO}$                         | HO fall time (90% to 10%)                  | $C_{LOAD} = 2700\text{ pF}$   |      | 3    |      | ns            |
| $I_{OHH}$                         | HO peak source current                     | $V_{HO} = 0\text{ V}$ , $SW = 0\text{ V}$ , $HB = 5\text{ V}$ ,<br>$V_{CCX} = 5\text{ V}$ |      | 3.25 |      | Apk           |
| $I_{OLH}$                         | HO peak sink current                       | $V_{CCX} = 5\text{ V}$  |      | 4.25 |      | Apk           |
| $V_{(BOOT)}$                      | UVLO                                       | HO falling  |      | 2.5  |      | V             |
|                                   | Hysteresis                                 |   |      | 110  |      | mV            |
| $I_{(BOOT)}$                      | Quiescent current                          |   |      | 3    |      | $\mu\text{A}$ |
| <b>LO GATE DRIVER</b>             |  |   |      |      |      |               |
| $V_{OLL}$                         | LO low-state output voltage                | $I_{LO} = 100\text{ mA}$  |      | 0.05 |      | V             |
| $V_{OHL}$                         | LO high-state output voltage               | $I_{LO} = -100\text{ mA}$ , $V_{OHL} = V_{CC} - V_{LO}$                                   |      | 0.07 |      | V             |
| $t_{rLO}$                         | LO rise time (10% to 90%)                  | $C_{LOAD} = 2700\text{ pF}$   |      | 4    |      | ns            |
| $t_{fLO}$                         | LO fall time (90% to 10%)                  | $C_{LOAD} = 2700\text{ pF}$   |      | 3    |      | ns            |
| $I_{OHL}$                         | LO peak source current                     | $V_{CCX} = 5\text{ V}$  |      | 3.25 |      | Apk           |
| $I_{OLL}$                         | LO peak sink current                       | $V_{CCX} = 5\text{ V}$  |      | 4.25 |      | Apk           |
| <b>ADAPTIVE DEAD TIME CONTROL</b> |  |   |      |      |      |               |
| $V_{(GS-DET)}$                    | VGS detection threshold                    | VGS falling, no-load  |      | 2.5  |      | V             |
| tdly1                             | HO off to LO on dead time                  |   |      | 20   | 40   | ns            |
| tdly2                             | LO off to HO on dead time                  |   |      | 20   | 38   | ns            |
| <b>DIODE EMULATION</b>            |  |   |      |      |      |               |
| $V_{IL}$                          | DEMB input low threshold                   |   |      |      | 0.8  | V             |
| $V_{IH}$                          | FPWM input high threshold                  |   | 2    |      |      | V             |
| SW                                | Zero cross threshold                       |   |      | -5   |      | mV            |
| <b>ENABLE INPUT</b>               |  |   |      |      |      |               |
| $V_{IL}$                          | Enable input low threshold                 | $V_{CCX} = 0\text{ V}$  |      |      | 0.8  | V             |
| $V_{IH}$                          | Enable input high threshold                | $V_{CCX} = 0\text{ V}$  | 2    |      |      | V             |
| $I_{lkg}$                         | Leakage                                    | EN logic input only   |      | 1    |      | $\mu\text{A}$ |
| <b>SYN INPUT (DEMB pin)</b>       |  |   |      |      |      |               |
| $V_{IL}$                          | DEMB input low threshold                   |   |      |      | 0.8  | V             |
| $V_{IH}$                          | DEMB input high threshold                  |   | 2    |      |      | V             |
|                                   | DEMB input low-frequency range<br>440 kHz  |   | 350  |      | 550  | kHz           |
|                                   | DEMB input high-frequency range<br>2.2 MHz |   | 1800 |      | 2600 | kHz           |
| <b>DITHER</b>                     |  |   |      |      |      |               |
| $I_{DITHER}$                      | Dither source/sink current                 |   |      | 20   |      | $\mu\text{A}$ |
| $V_{DITHER}$                      | Dither high threshold                      |   |      | 1.26 |      | V             |
|                                   | Dither low threshold                       |   |      | 1.14 |      | V             |
| <b>SOFT START</b>                 |  |   |      |      |      |               |
| $I_{SS}$                          | Soft-start current                         |   | 16   | 22   | 28   | $\mu\text{A}$ |



## Electrical Characteristics (continued)

$T_J = -40^{\circ}\text{C}$  to  $+125^{\circ}\text{C}$ ; typical values  $T_J = 25^{\circ}\text{C}$ ,  $V_{IN} = 12\text{ V}$ ,  $V_{CCX} = 5\text{ V}$ ,  $V_{OUT} = 5\text{ V}$ ,  $V_{EN} = 5\text{ V}$ ,  $OSC = V_{DD}$ ,  $F_{SW} = 2.2\text{ MHz}$ , no-load on the drive outputs (HO, HOL, LO, and LOL outputs), over operating free-air temperature range (unless otherwise noted)<sup>(1)(2)</sup>

| PARAMETER      |                                | TEST CONDITIONS | MIN | TYP | MAX | UNIT               |
|----------------|--------------------------------|-----------------|-----|-----|-----|--------------------|
| $R_{DS(ON)}$   | Soft-start pulldown resistance |                 |     | 3   |     | $\Omega$           |
| <b>THERMAL</b> |                                |                 |     |     |     |                    |
| $T_{SD}$       | Thermal shutdown               |                 |     | 175 |     | $^{\circ}\text{C}$ |
|                | Thermal shutdown hysteresis    |                 |     | 15  |     | $^{\circ}\text{C}$ |

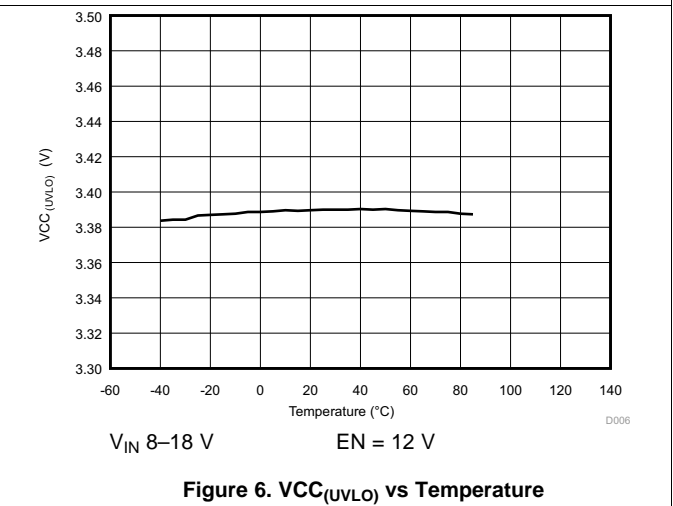
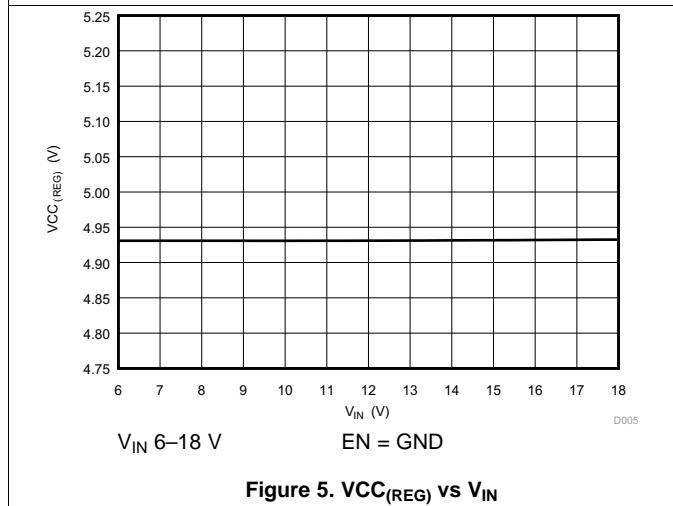
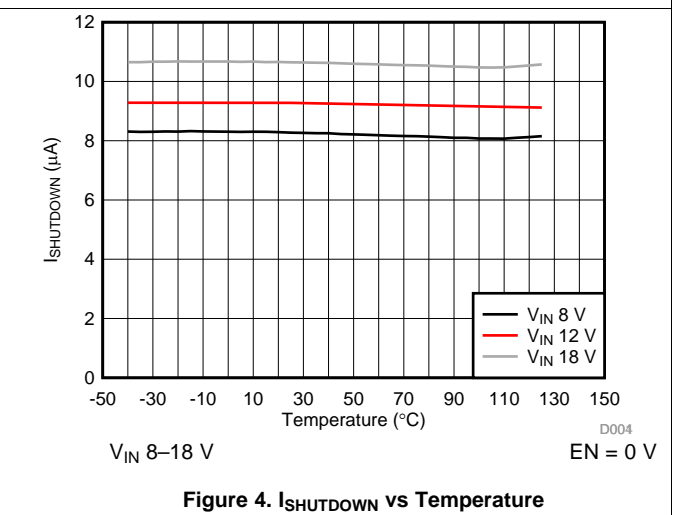
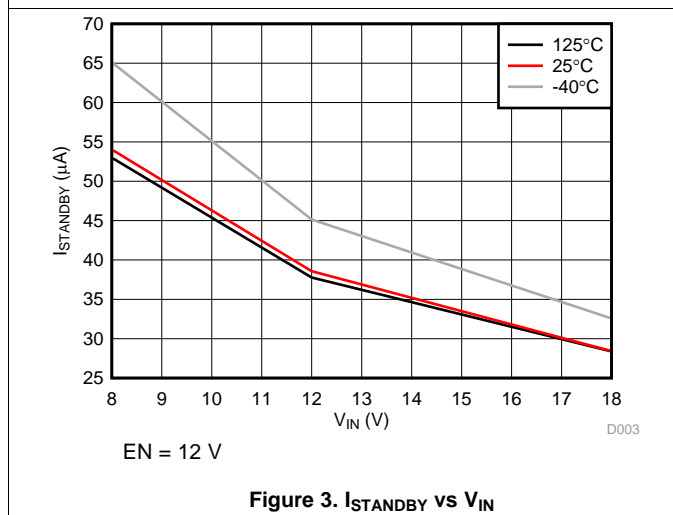
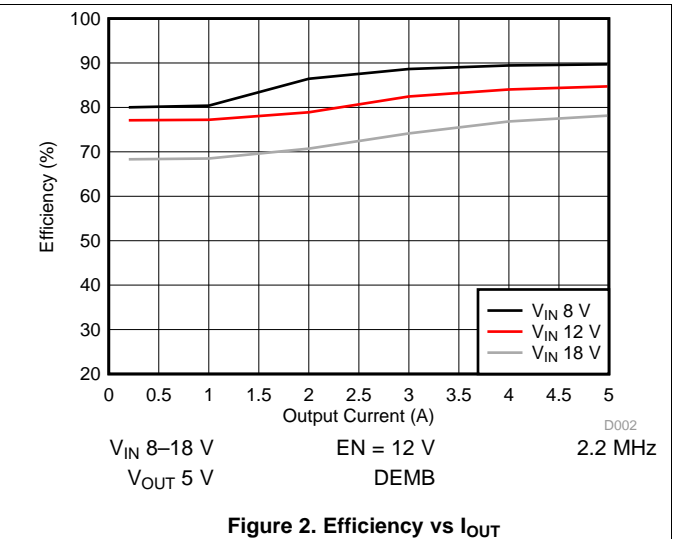
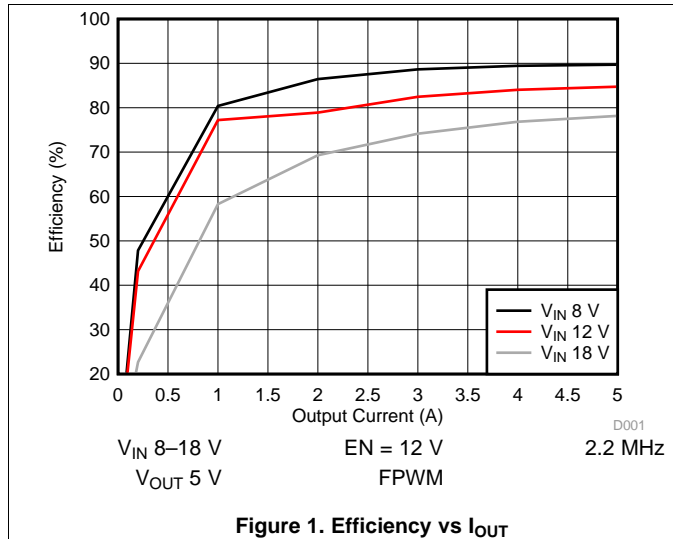
## 6.6 Switching Characteristics

over operating free-air temperature range (unless otherwise noted)

| PARAMETER |                              | TEST CONDITIONS                                    | MIN   | TYP  | MAX  | UNIT          |     |
|-----------|------------------------------|--|---|------|------|---------------|-----|
|           | Oscillator frequency 2.2 MHz | $OSC = V_{DDA}$ , $V_{IN} = 8\text{--}18\text{ V}$ | 2100  | 2200 | 2300 | kHz           |     |
|           | Oscillator frequency 440 kHz | $OSC = GND$ , $V_{IN} = 8\text{--}18\text{ V}$     | 420   | 440  | 460  | kHz           |     |
| RT        | Adjustment range 2.2 MHz     | Minimum  | $OSC = V_{DD}$ , $RT_{MIN} = 61.9\text{ k}\Omega$ | 1710 | 1800 | 1890          | kHz |
|           |                              | Typical  | $OSC = V_{DD}$ , $RT_{TYP} = 49.9\text{ k}\Omega$ | 2100 | 2200 | 2300          | kHz |
|           |                              | Maximum  | $OSC = V_{DD}$ , $RT_{MAX} = 43.2\text{ k}\Omega$ | 2405 | 2530 | 2655          | kHz |
| RT        | Adjustment range 440 kHz     | Minimum  | $OSC = GND$ , $RT_{MIN} = 73.2\text{ k}$          | 285  | 300  | 315           | kHz |
|           |                              | Typical  | $OSC = GND$ , $RT_{TYP} = 49.9\text{ k}\Omega$    | 420  | 440  | 460           | kHz |
|           |                              | Maximum  | $OSC = GND$ , $RT_{MAX} = 44.2\text{ k}\Omega$    | 475  | 500  | 525           | kHz |
| RT        | Response time                | $RT = 61.9\text{--}43.2\text{ k}\Omega$            |   | 2    |      | $\mu\text{s}$ |     |
| RT        | Response time                | $RT = 43.2\text{--}61.9\text{ k}\Omega$            |   | 3.5  |      | $\mu\text{s}$ |     |
| RT        | Response time                |  |   | 16   |      | $\mu\text{s}$ |     |
| $t_{on}$  | Minimum on-time              |  |   | 45   | 66   | ns            |     |
| $t_{off}$ | Minimum off-time             |  |   |      | 100  | ns            |     |

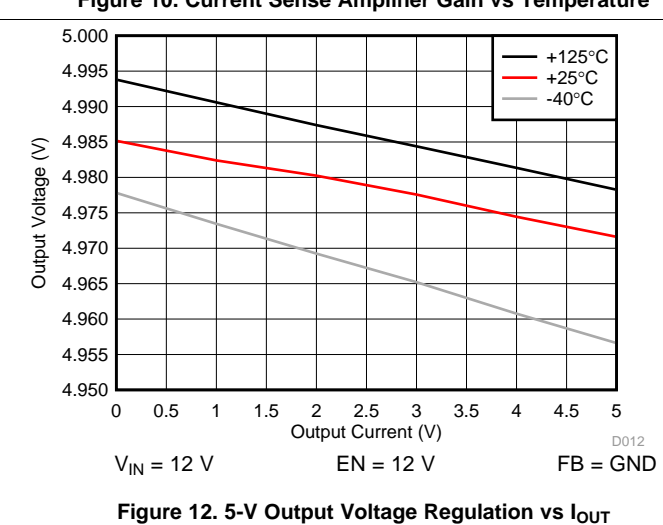
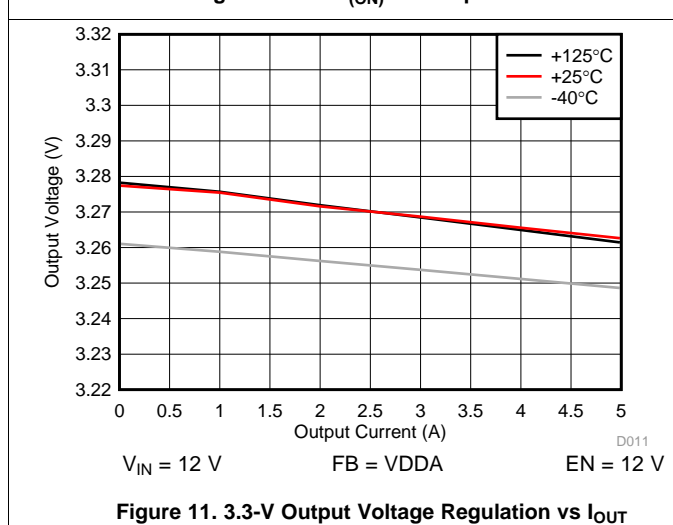
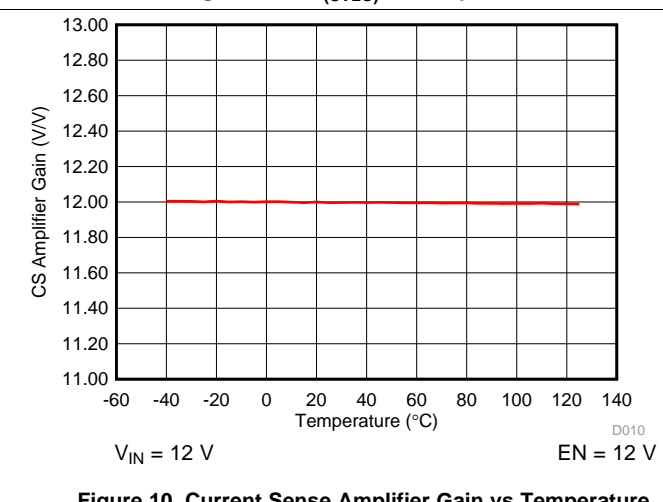
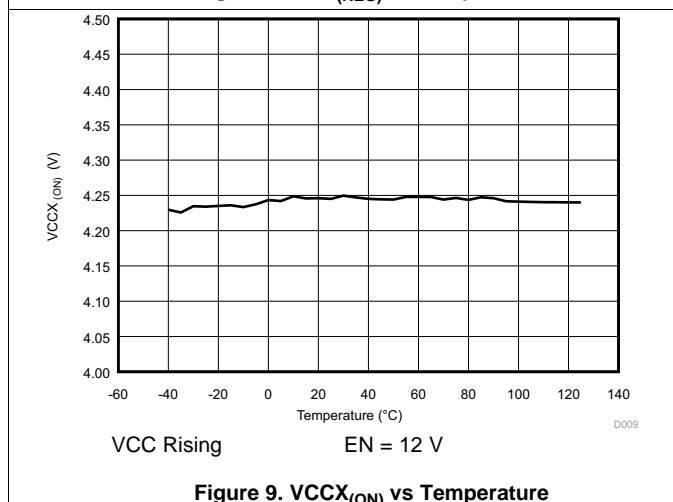
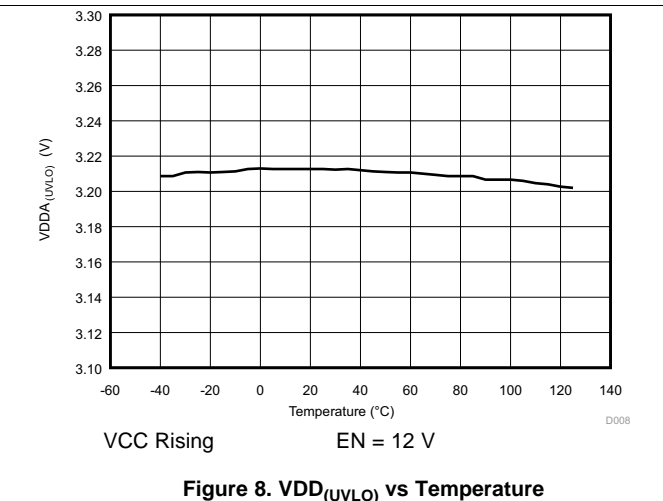
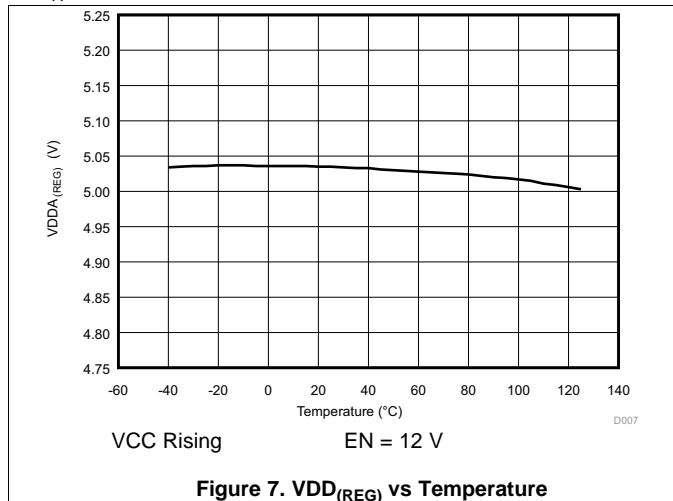
### 6.7 Typical Characteristics

At  $T_A = 25^\circ\text{C}$ , unless otherwise noted



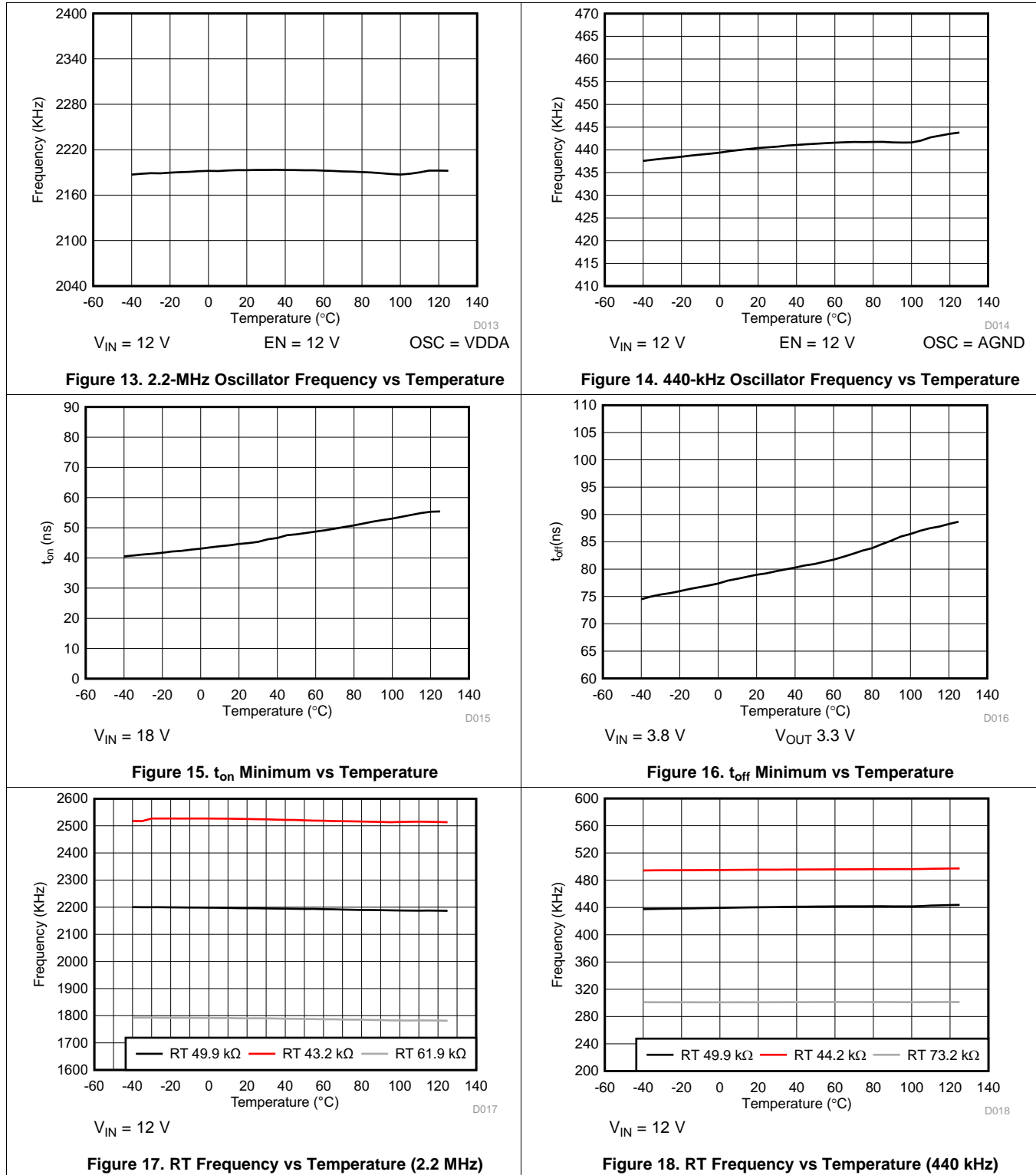
Typical Characteristics (continued)

At  $T_A = 25^\circ\text{C}$ , unless otherwise noted



### Typical Characteristics (continued)

At  $T_A = 25^\circ\text{C}$ , unless otherwise noted



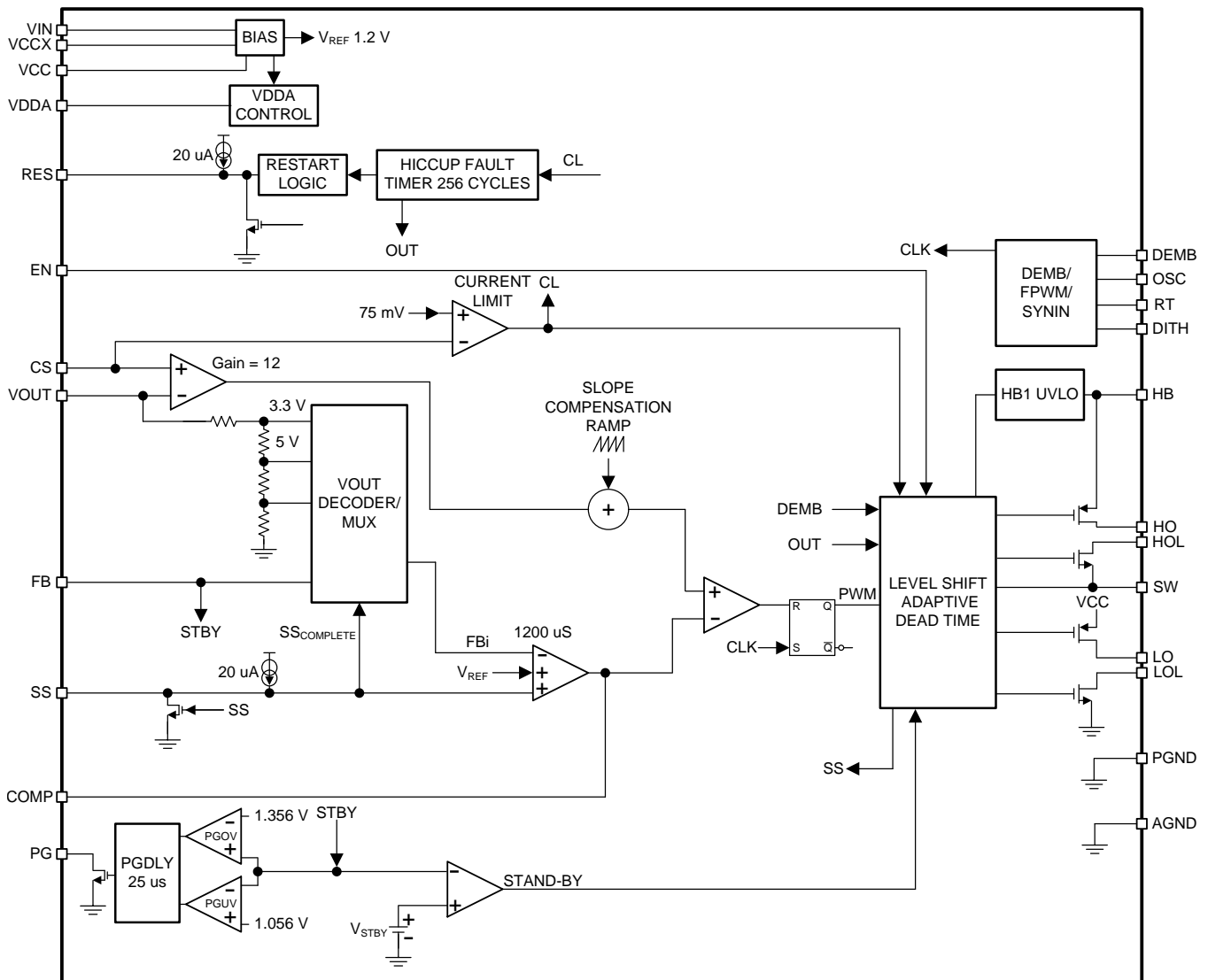
## 7 Detailed Description

### 7.1 Overview

The LM25141-Q1 is a switching controller which features all of the functions necessary to implement a high efficiency buck power supply that can operate over a wide input voltage range. The LM25141-Q1 is configured to provide a single fixed 3.3-V, or 5-V output, or an adjustable output between 1.5 V to 15 V. This easy to use controller integrates high-side and low-side MOSFET drivers capable of sourcing 3.25 A and sinking 4.25 A peak. The control method is current mode control which provides inherent line feed-forward, cycle-by-cycle current limiting, and ease of loop compensation. With the OSC pin connected to VDD, the default oscillator frequency is 2.2 MHz. With the OSC pin grounded, the oscillator frequency is 440 kHz. The LM25141-Q1 can be synchronized by applying an external clock to the DEMB pin. Fault protection features include current limiting, thermal shutdown, and remote shutdown capability.

The LM25141-Q1 incorporates features that simplify compliance with the CISPR and automotive EMI requirements. The LM25141-Q1 has optional spread spectrum to reduce the peak EMI and gate drivers with slew rate control. The VQFN-24 package features an exposed pad to aid in thermal dissipation.

### 7.2 Functional Block Diagram



Copyright © 2016, Texas Instruments Incorporated

## 7.3 Feature Description

### 7.3.1 High Voltage Start-Up Regulator

The LM25141-Q1 contains an internal high voltage VCC bias regulator that provides the bias supply for the PWM controller and the gate drivers for the external MOSFETs. The input pin (VIN) can be connected directly to an input voltage source up to 42 V. The output of the VCC regulator is set to 5 V. When the input voltage is below the VCC set-point level, the VCC output tracks VIN with a small voltage drop. In high voltage applications, take extra care to ensure the VIN pin does not exceed the absolute maximum voltage rating of 47 V including line or load transients. Voltage ringing on the VIN pin that exceeds the absolute maximum ratings can damage the IC. Use a high quality bypass capacitor between VIN and ground to minimize ringing.

### 7.3.2 VCC Regulator

The VCC regulator output current limit is 75 mA (minimum). At power-up, the regulator sources current into the capacitors connected to the VCC pin. When the voltage on the VCC pin exceeds 3.4 V, the output is enabled and the soft-start sequence begins. The output remains active unless the voltage on the VCC pin falls below the  $V_{CC(UVLO)}$  threshold of 3.2 V (typical) or the enable pin is switched to a low state. The recommended range for the VCC capacitor is 2.2  $\mu$ F to 4.7  $\mu$ F

An internal 5-V linear regulator generates the VDDA bias supply. Bypass VDDA with a 100-nF or greater ceramic capacitor to ensure a low noise internal bias rail. Normally VDDA is 5 V, but there are two operating conditions where it regulates at 3.3 V. The first is in skip cycle mode with VOUT of 3.3 V. The second is when  $V_{IN}$  is less than 5 V. Under these conditions, both VCC and VDD drop below 5 V. Internal power dissipation in the VCC Regulator can be minimized by connecting the VCCX pin to a 5 V output or to an external 5-V supply. If  $V_{CCX} > 4.5$  V, VCCX is internally connected to VCC and the internal VCC regulator is disabled. If VCCX is unused, it should be grounded. Never connect the VCCX pin to a voltage greater than 6.5 V.

### 7.3.3 Oscillator

The LM25141-Q1 has an internal trimmed oscillator with two frequency options: 2.2 MHz, or 440 kHz. With the OSC pin connected to VDDA the oscillator frequency is 2.2 MHz. With the OSC pin grounded, the oscillator frequency is 440 kHz. The state of the OSC pin is read and latched during VCC power-up and cannot be changed until VCC drops below the  $V_{CC(UVLO)}$  threshold.

The oscillator frequency can be modulated up or down from the nominal oscillator frequency (2.2 MHz or 440 kHz) on demand by connecting a resistor from the RT pin to ground (refer to [Figure 19](#)). To disable the frequency modulation option, the RT pin can be grounded or left open. If the RT pin is connected to ground during power-up the frequency modulation option is latch-off and cannot be changed unless VCC is allowed to drop below the  $V_{CC(UVLO)}$  threshold. If the RT pin is left open during power-up the frequency modulation option will be disabled, but it can be enabled at a later time by switching in a valid RT resistor. When the frequency modulation option is disabled, the LM25141-Q1 operates at the internal oscillator frequency (2.2 MHz or 440 kHz).

On power up, after soft start is complete and the output voltage is in regulation, a 16- $\mu$ s timer is initiated. If a valid RT resistor is connected, the LM25141-Q1 switches to the frequency set by the RT resistor n the completion of the 16- $\mu$ s time delay.

The modulation range for 2.2 MHz is 1.8 MHz to 2.53 MHz (refer to [Table 1](#)). If an RT resistor value  $> 95$  k $\Omega$  (typical) is placed on the RT pin, the LM25141-Q1 controller assumes that the RT pin is open and will use the internal oscillator. If an RT resistor  $< 27$  k $\Omega$  (typical) is connected, the controller uses the internal oscillator. To calculate an RT resistor for a specific oscillator frequency, use [Equation 1](#) for the 2.2-MHz frequency range or [Equation 2](#) for the 440-kHz frequency range.

$$RT_{2.2 \text{ MHz}} = \frac{1}{\frac{F_{sw}}{0.0086} - 0.0216}$$

where

- RT is k $\Omega$  and  $F_{sw}$  is in MHz

(1)

Feature Description (continued)

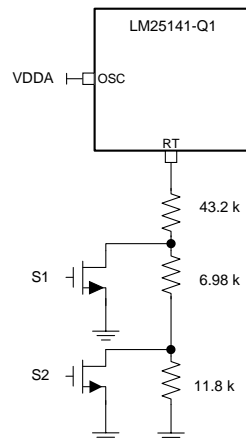
$$RT_{440\text{ kHz}} = \frac{1}{F_{sw}} - 1.38 \times 10^{-5} \over 4.5 \times 10^{-5}}$$

where

- RT is in kΩ and F<sub>sw</sub> is in kHz (2)

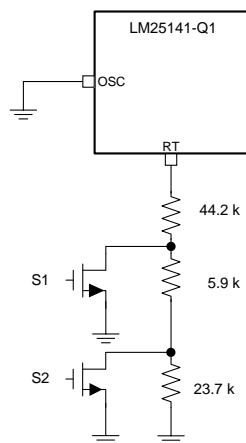
Table 1. RT Resistance vs Oscillator Frequency

| S1  | S2  | RT RESISTANCE (TYPICAL) 2.2 MHz | 2.2-MHz OSCILLATOR RANGE (TYPICAL) | RT RESISTANCE (TYPICAL) 440 kHz | 440-kHz OSCILLATOR RANGE (TYPICAL) |
|-----|-----|---------------------------------|------------------------------------|---------------------------------|------------------------------------|
| X   | X   | > 95 kΩ                         | Internal Oscillator                | > 95 kΩ                         | Internal Oscillator                |
| OFF | OFF | 61.98 kΩTotal                   | 1.8 MHz                            | 73.8 kΩTotal                    | 300 kHz                            |
| OFF | ON  | 50.18 kΩTotal                   | 2.2 MHz                            | 50.1 kΩTotal                    | 440 kHz                            |
| ON  | OFF | 43.2 kΩ                         | 2.53 MHz                           | 44.2 kΩ                         | 500 kHz                            |
| X   | X   | < 27 kΩ                         | Internal Oscillator                | < 27 kΩ                         | Internal Oscillator                |



Copyright © 2016, Texas Instruments Incorporated

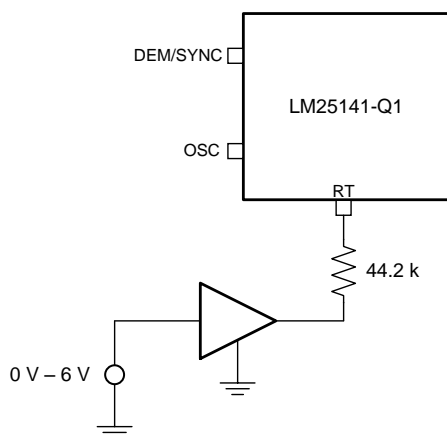
Figure 19. RT Connection Circuit, 2.2 MHz



Copyright © 2016, Texas Instruments Incorporated

Figure 20. RT Connection Circuit, 440 kHz

An alternative method to modulate the oscillator frequency is to use an analog voltage connected to the RT pin through a resistor. See [Figure 21](#). An analog voltage of 0.0 V to 0.6 V modulates the oscillator frequency between 1.8 MHz to 2.53 MHz (OSC at 2.2 MHz), or 300 kHz to 500 kHz (OSC at 440 kHz). The analog voltage source must be able to sink current.



Copyright © 2016, Texas Instruments Incorporated

**Figure 21. Analog Voltage Control of the Oscillator Frequency**

When the LM25141-Q1 is in the low  $I_Q$  standby mode, the controller will set the RT pin to a high impedance state and ignore the RT resistor. After coming out of standby mode, the controller will monitor the RT pin. If a valid resistor is connected, and there have been 16  $\mu$ s of continuous switching without a zero-crossing event, the LM25141-Q1 switches to the frequency set by the RT resistor.

### 7.3.4 Synchronization

To synchronize the LM25141-Q1 to an external source, apply a logic level clock signal to the DEMB pin. The synchronization range is 350 kHz to 550 kHz when the internal oscillator is set to 440 kHz. When the internal oscillator is set to 2.2 MHz, the synchronization range is 1.8 MHz to 2.6 MHz. If there is a valid RT resistor and a synchronization signal, the LM25141-Q1 will ignore the RT resistor and synchronize the controller to the external clock. Under low  $V_{IN}$  conditions, when the minimum off-time is reached (100 ns), the synchronization clock is ignored to allow the frequency to drop to maintain output voltage regulation.

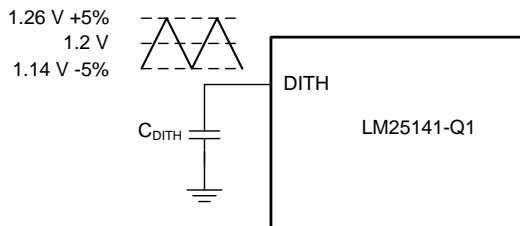
### 7.3.5 Frequency Dithering (Spread Spectrum)

The LM25141-Q1 provides a frequency dithering option that is enabled by connecting a capacitor from the DITH pin to AGND. A triangular waveform centered at 1.2 V is generated across the  $C_{DITH}$  capacitor. Refer to [Figure 22](#). The triangular waveform modulates the oscillator frequency by  $\pm 5\%$  of the nominal frequency set by the OSC pin or by an RT resistor. The  $C_{DITH}$  capacitance value sets the rate of the low frequency modulation. A lower  $C_{DITH}$  capacitance will modulate the oscillator frequency at a faster rate than a higher capacitance. For the dithering circuit to effectively reduce the peak EMI, the modulation rate must be less than the oscillator frequency ( $F_{sw}$ ). [Equation 3](#) calculates the DITH pin capacitance required to set the modulation frequency,  $F_{MOD}$ .

$$C_{DITH} = \frac{20 \mu A}{2 \times F_{MOD} \times 0.12 V} \quad (3)$$

If the DITH pin is connected to  $V_{DDA}$  during power-up the Dither feature is latch-off and cannot be changed unless  $V_{CC}$  is allowed to drop below the  $V_{CC(UVLO)}$  threshold. If the DITH pin is connected to ground on power up, Dither is disabled, but it can be enabled by raising the DITH pin voltage above ground and connecting it to  $C_{DITH}$ . When the LM25141 is synchronized to an external clock, Dither is disabled.





Copyright © 2016, Texas Instruments Incorporated

**Figure 22. Dither Operation**

### 7.3.6 Enable

The LM25141-Q1 has an enable input EN for start-up and shutdown control of the output. The EN pin can be connected to a voltage as high as 47 V. If the enable input is greater than 2.0 V the output is enabled. If the enable pin is pulled below 0.8 V, the output is in shutdown, and the LM25141-Q1 is switched to a low  $I_Q$  shutdown mode, with a 10- $\mu$ A typical current drawn from the VIN pin. TI does not recommend leaving the EN pin left floating.

### 7.3.7 Power Good

The LM25141-Q1 includes an output voltage monitoring function to simplify sequencing and supervision. The power good function can be used to enable circuits that are supplied by the output voltage rail or to turn on sequenced supplies. The PG pin switches to a high impedance state when the output voltage is in regulation. The PG signal switches low when the output voltage drops below the lower power good threshold (92% typical) or rises above the upper power good threshold (110% typical). A 25- $\mu$ s deglitch filter prevents any false tripping of the power good signal due to transients. TI recommends a pullup resistor of 10 k $\Omega$  from the PG pin to the relevant logic rail. Power good is asserted low during soft start and when the buck converter is disabled by EN.

### 7.3.8 Output Voltage

The LM25141-Q1 output can be configured for one of the two fixed output voltages with no external feedback resistors, or the output can be adjusted to the desired voltage using an external resistor divider.  $V_{OUT}$  can be configured as a 3.3-V output by connecting the FB pin to VDDA, or a 5-V output by connecting the FB pin to ground with a maximum resistance of 500  $\Omega$ . The FB connections (either VDDA or GND) are detected during power up.

The configuration setting is latched and cannot be changed until the LM25141-Q1 is powered down with VCC falling below  $VCC_{(UVLO)}$  (3.4 V typical) and then powered up again.

Alternatively the output voltage can be set using an external resistive dividers from the output to the FB pin. The output voltage adjustment range is between 1.5 V and 15 V. The regulation threshold at the FB pin is 1.2 V ( $V_{REF}$ ). To calculate  $R_{FB1}$  and  $R_{FB2}$  use Equation 4. Refer to Figure 23:

$$R_{FB2} = \left( \frac{V_{OUT}}{V_{REF}} - 1 \right) \times R_{FB1} \quad (4)$$

The recommend starting point is to select  $R_{FB1}$  between 10 k $\Omega$  to 20 k $\Omega$ .

The Thevenin equivalent impedance of the resistive divider connected to the FB pin must be greater than 5 k $\Omega$  for the LM25141-Q1 to detect the divider and set the controller to the adjustable output mode. Refer to Equation 5.

$$R_{TH} = \frac{R_{FB1} \times R_{FB2}}{R_{FB1} + R_{FB2}} > 5k\Omega \quad (5)$$

If a low  $I_Q$  mode is required, take care when selecting the external resistors. The extra current drawn from the external divider is added to the LM25141-Q1  $I_{\text{STANDBY}}$  current (35  $\mu\text{A}$  typical). The divider current reflected to  $V_{\text{IN}}$  is divided down by the ratio of  $V_{\text{OUT}}/V_{\text{IN}}$ . For example, if  $V_{\text{IN}}$  is 12V and  $V_{\text{OUT}}$  is set to 5.5 V with  $R_{\text{FB1}}$  10 k $\Omega$ , and  $R_{\text{FB2}} = 35.7$  k $\Omega$ , the input current at  $V_{\text{IN}}$  required to supply the current in the feedback resistors is:

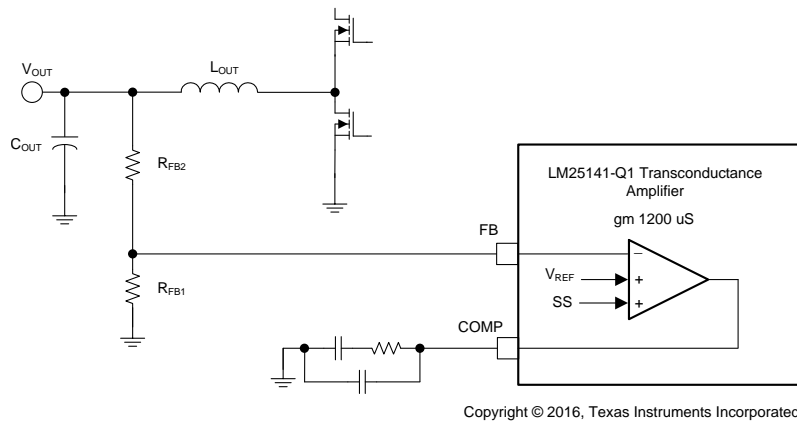
$$I_{\text{DIVIDER}} = \frac{V_{\text{OUT}}}{R_{\text{FB1}} + R_{\text{FB2}}} \times \frac{V_{\text{OUT}}}{V_{\text{IN}}} = \frac{5.5 \text{ V}}{10\text{k} + 35.7\text{k}} \times \frac{5.5 \text{ V}}{12 \text{ V}} = 55.16 \mu\text{A}$$

where

- $V_{\text{IN}} = 12 \text{ V}$  (6)

The total input current in this condition is:

$$I_{\text{VIN}} \approx I_{\text{STANDBY}} + I_{\text{DIVIDER}} \approx 35 \mu\text{A} + 55.16 \mu\text{A} \approx 90.16 \mu\text{A}$$
 (7)



**Figure 23. Voltage Feedback**

### 7.3.8.1 Minimum Output Voltage Adjustment

There are two limitations to the minimum output voltage adjustment range: the LM25141-Q1 voltage reference of 1.2 V and the minimum switch node pulse width,  $t_{\text{SW}}$ .

The minimum controllable on-time at the switch node ( $t_{\text{SW}}$ ) limits the voltage conversion ratio ( $V_{\text{OUT}}/V_{\text{IN}}$ ). For fixed-frequency PWM operation, the voltage conversion ratio should meet the condition in [Equation 8](#):

$$\frac{V_{\text{OUT}}}{V_{\text{IN}}} > t_{\text{SW}} \times F_{\text{SW}}$$

where

- $t_{\text{SW}}$  is 70 ns (typical)
- $F_{\text{SW}}$  is the switching frequency (8)

If the desired voltage conversion ratio does not meet the above condition, the controller transitions from fixed frequency operation into a pulse skipping mode to maintain regulation of the output voltage.

For example, if the desired output voltage is 3.3 V with a  $V_{\text{IN}}$  of 20 V and operating at 2.2 MHz, the voltage conversion ratio test is satisfied:

$$\frac{3.3 \text{ V}}{20 \text{ V}} > 70 \text{ ns} \times 2.2 \text{ MHz}$$

$$0.165 > 0.154$$
 (9)

For wide  $V_{\text{IN}}$  applications and lower output voltages, an alternative is to use the LM25141-Q1 with a 440-kHz oscillator frequency. Operating at 440 kHz, the limitation of the minimum  $t_{\text{SW}}$  time is less significant. For example, if a 1.8-V output is required with a  $V_{\text{IN}}$  of 42 V:

$$\frac{1.8 \text{ V}}{42 \text{ V}} > 70 \text{ ns} \times 440 \text{ kHz}$$

$$0.04286 > 0.0308$$
 (10)

### 7.3.9 Current Sense

There are two methods to sense the inductor current of the buck converter. The first is using current sense resistor in series with the inductor and the second is to use the DC resistance of the inductor (DCR sensing). Figure 24 illustrates inductor current sensing using a current sense resistor. This configuration continuously monitors the inductor current providing accurate current-limit protection. For the best current-sense accuracy and over current protection, use a low inductance  $\pm 1\%$  tolerance current-sense resistor between the inductor and output, with a Kelvin connection to the LM25141-Q1 sense amplifier.

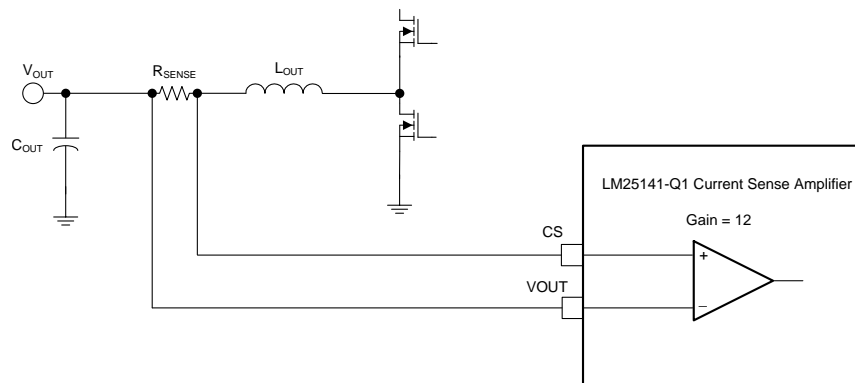
If the peak differential current signal sensed from CS to VOUT exceeds 75 mV, the current limit comparator immediately terminates the HO output for cycle-by-cycle current limiting.

$$R_{\text{SENSE}} = \frac{V_{(\text{CS})}}{\left( I_{\text{OUT}(\text{MAX})} + \frac{\Delta I}{2} \right)}$$

where

- $V_{(\text{CS})} = 75 \text{ mV}$  (11)

$I_{\text{OUT}(\text{MAX})}$  is the overcurrent set-point which is set higher than the maximum load current to avoid tripping the overcurrent comparator during load transients.  $\Delta I$  is the peak-peak inductor ripple current.



Copyright © 2016, Texas Instruments Incorporated

Figure 24. Current Sense

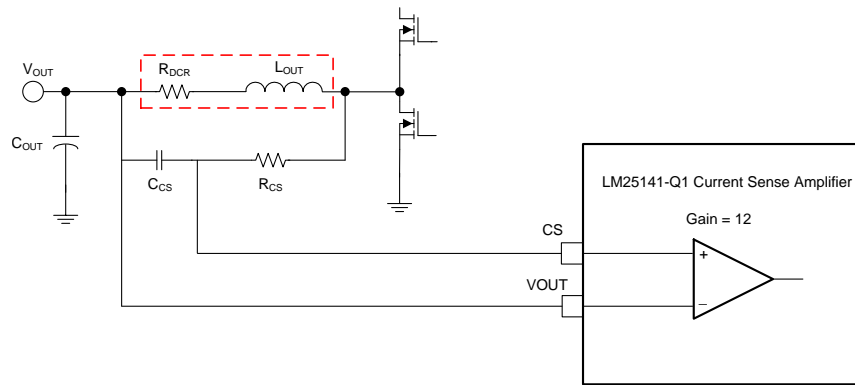
### 7.3.10 DCR Current Sensing

For high-power applications which do not require high accuracy current-limit protection, DCR sensing may be preferable. This technique provides lossless and continuous monitoring of the output current using an RC sense network in parallel with the inductor. Using an inductor with a low DCR tolerance, the user can achieve a typical current limit accuracy within the range of  $\pm 10\%$  to  $\pm 15\%$  at room temperature.

Components  $R_{\text{CS}}$  and  $C_{\text{CS}}$  in Figure 25 create a low-pass filter across the inductor to enable differential sensing of the voltage drop across inductor DCR. When  $R_{\text{CS}} \times C_{\text{CS}}$  is equal to  $L_{\text{OUT}}/R_{\text{DCR}}$ , the voltage developed across the sense capacitor,  $C_{\text{CS}}$ , is a replica of the inductor DCR voltage waveform. Choose the capacitance of  $C_{\text{CS}}$  to be greater than  $0.1 \mu\text{F}$  to maintain a low impedance sensing network, thus reducing the susceptibility of noise pickup from the switch node. Carefully observe the PCB layout guidelines to ensure the noise and DC errors do not corrupt the differential current-sense signals applied across the CS and VOUT pins.

The voltage drop across  $C_{\text{CS}}$ :

$$V_{\text{CS}}(s) = \frac{1 + \frac{sL_{\text{OUT}}}{R_{\text{DCR}}}}{1 + sR_{\text{CS}}C_{\text{CS}}} I_{\text{pk}} \times R_{\text{DCR}} \quad (12)$$



Copyright © 2016, Texas Instruments Incorporated

**Figure 25. DCR Current Sensing**
 $R_{CS}C_{CS} = L_{OUT}/R_{DCR} \rightarrow$  accurate DC and AC current sensing

 If the RC time constant is not equal to the  $L_{OUT}/L_{DRC}$  time constant there is an error

 $R_{CS}C_{CS} > L_{OUT}/R_{DCR} \rightarrow$  DC level still correct, the AC amplitude is attenuated

 $R_{CS}C_{CS} < L_{OUT}/R_{DCR} \rightarrow$  DC level still correct, the AC amplitude is amplified

### 7.3.11 Error Amplifier and PWM Comparator

The LM25141-Q1 has a high-gain transconductance amplifier which generates an error current proportional to the difference between the feedback voltage and an internal precision reference (1.2 V). The output of the transconductance amplifier is connected to the COMP pin allowing the user to provide external control loop compensation. Generally for current mode control a type II network is recommended.

### 7.3.12 Slope Compensation

The LM25141-Q1 provides internal slope compensation to ensure stable operation with a duty cycle greater than 50%. To correctly use the internal slope compensation, the inductor value must be calculated based on the following guidelines (Equation 13 assumes an inductor ripple current of 30%):

$$L_{OUT} \geq \frac{V_{OUT}}{F_{SW} \times (0.3 \times I_{OUT})} \quad (13)$$

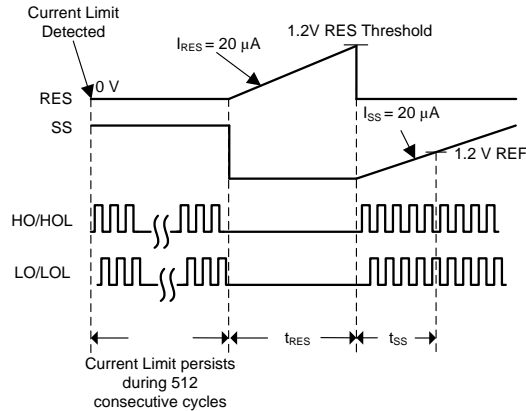
- Lower inductor values increase the peak-to-peak inductor current, which minimizes size and cost and improves transient response at the cost of reduced efficiency due to higher peak currents.
- Higher inductance values decrease the peak-to-peak inductor current typically increases efficiency by reducing the RMS current at the cost of requiring larger output capacitors to meet load-transient specifications.

### 7.3.13 Hiccup Mode Current Limiting

The LM25141-Q1 includes an optional hiccup mode protection function that is enabled when a capacitor is connected to the RES pin. In normal operation the RES capacitor is discharged to ground. If 512 consecutive cycles of cycle-by-cycle current limiting occur, the SS pin capacitor is pulled low and the HO and LO outputs are disabled (refer to Figure 26). A 20- $\mu$ A current source begins to charge the RES capacitor.

When the RES pin charges to 1.2 V, the RES pin is pulled low and the SS capacitor begins to charge. The 512 cycle hiccup counter is reset if 4 consecutive switching cycles occur without exceeding the current limit threshold. The controller is in forced PWM (FPWM) continuous conduction mode when the DEMB pin is connected to VDDA. In this mode the SS pin is clamped to a level 200 mV above the feedback voltage to the internal error amplifier. This ensures that SS can be pulled low quickly during a brief overcurrent event and prevent overshoot of VOUT when the overcurrent condition is removed.

If  $DEMB=0\text{ V}$ , the controller operates in diode emulation with light loads (discontinuous conduction mode) and the SS pin is allowed to charge to  $VDDA$ . This reduces the quiescent current of the LM25141-Q1. If 32 or more cycle-by-cycle current limit events occur, the SS pin is clamped to 200 mV above the feedback voltage to the internal error amplifier until the hiccup counter is reset. Thus, if a momentary overload occurs that causes at least 32 cycles of current limiting, the SS capacitor voltage is slightly higher than the FB voltage and controls  $VOUT$  during overload recovery.



**Figure 26. Hiccup Mode**

### 7.3.14 Standby Mode

The LM25141-Q1 operates with peak current mode control such that the compensation voltage is proportional to the peak inductor current. During no-load or light load conditions, the output capacitor will discharge very slowly. As a result, the compensation voltage does not demand a driver output pulses on a cycle-by-cycle basis. When the LM25141-Q1 controller detects that there have been 16 missing switching cycles, it enters Standby Mode and switches to a low IQ state to reduce the current drawn from  $VIN$ . For the LM25141-Q1 to go into a Standby Mode, the controller must be programmed for diode emulation ( $DEMB\text{ pin} < 0.4\text{ V}$ ). The typical IQ in Standby Mode is  $35\text{ }\mu\text{A}$  with  $VOUT$  regulating at  $3.3\text{ V}$ .

### 7.3.15 Soft Start

The soft-start feature allows the controller to gradually reach the steady-state operating point, thus reducing start-up stresses and surges. The LM25141-Q1 regulates the FB pin to the SS pin voltage or the internal 1.2-V reference, whichever is lower. At the beginning of the soft-start sequence when  $SS = 0\text{ V}$ , the internal  $20\text{-}\mu\text{A}$  soft-start current source gradually increases the voltage on an external soft-start capacitor connected to the SS pin, resulting in a gradual rise of the FB and output voltages. The controller is in the forced PWM (FPWM) mode when the  $DEMB$  pin is connected to  $VDDA$ . In this mode, the SS pin is clamped at 200 mV above the feedback voltage. This ensures that SS will be pulled low quickly when FB falls during brief overcurrent events to prevent overshoot of  $VOUT$  during recovery. SS can be pulled low with an external circuit to stop switching, but TI does not recommend this. Pulling SS low results in COMP being pulled down internally, as well. If the controller is operating in FPWM mode ( $DEMB = VDDA$ ), LO remains on and the low-side MOSFET discharges the  $VOUT$  capacitor resulting in large negative inductor current. In contrast when the LM25141-Q1 pulls SS low internally due to a fault condition, the LO gate driver is disabled.

### 7.3.16 Diode Emulation

A fully synchronous buck controller implemented with a free-wheel MOSFET rather than a diode has the capability to sink negative current from the output in certain conditions such as light load, overvoltage, and prebias start-up. The LM25141-Q1 provides a diode emulation feature that can be enabled to prevent reverse (drain to source) current flow in the low-side free-wheel MOSFET. The diode emulation feature is configured with the  $DEMB$  pin. To enable diode emulation, connect the  $DEMB$  pin to ground. When configured for diode emulation, the low-side MOSFET is disabled when reverse current flow is detected. The benefit of this configuration is lower power loss at no load or light load conditions and the ability to turn on into a prebiased output without discharging the output. The negative effect of diode emulation is degraded light load transient response times. Enabling the diode emulation feature is recommended to allow discontinuous conduction operation. If continuous conduction operation is desired, the  $DEMB$  pin must be tied to  $VDDA$ .

**Table 2. DEMB Pin Modes**

| DEMB PIN | MODE |
|----------|------|
| 1        | FPWM |
| 0        | DEMB |
| CLK      | FPWM |

### 7.3.17 High- and Low-Side Drivers

The LM25141-Q1 contains N-channel MOSFET gate drivers and an associated high-side level shifter to drive the external N-channel MOSFETs. The high-side gate driver works in conjunction with an external bootstrap diode  $D_{BST}$ , and bootstrap capacitor  $C_{BST}$  (refer to Figure 27). During the on-time of the low-side MOSFET, the SW pin voltage is approximately 0 V and  $C_{BST}$  is charged from VCC through the  $D_{BST}$ . A 0.1- $\mu$ F or larger ceramic capacitor, connected with short traces between the HB and SW pin is recommended.

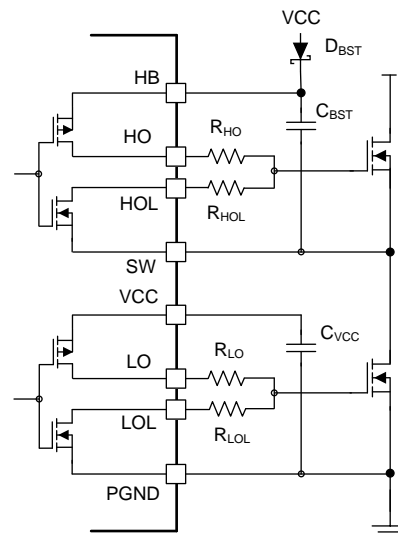
The LO and HO outputs are controlled with an adaptive dead-time methodology which ensures that both outputs (HO and LO) are never enabled at the same time, preventing cross conduction. When the controller commands LO to be enabled, the adaptive dead-time logic first disables HO and waits for the HO-SW voltage to drop below 2.5 V typical. LO is then enabled after a small delay (HO falling to LO rising delay). Similarly, the HO turnon is delayed until the LO voltage has dropped below 2.5 V. HO is then enabled after a small delay (LO falling to HO rising delay). This technique ensures adequate dead-time for any size N-channel MOSFET device or parallel MOSFET configurations. Caution is advised when adding series gate resistors, as this may decrease the effective dead-time. Each of the high and low-side drivers have independent driver source and sink output pins. This allows the user to adjust drive strength to optimize the switching losses for maximum efficiency and to control the slew rate for reduced EMI. The selected N-channel high-side MOSFET determines the appropriate boost capacitance values  $C_{BST}$  in the Figure 27 according to Equation 14.

$$C_{BST} = \frac{Q_G}{\Delta V_{BST}}$$

where

- $Q_G$  is the total gate charge of the high-side MOSFET
- $\Delta V_{BST}$  is the voltage variation allowed on the high-side MOSFET driver after turnon (14)

Choose  $\Delta V_{BST}$  such that the available gate-drive voltage is not significantly degraded when determining  $C_{BST}$ . A typical range of  $\Delta V_{BST}$  is 100 mV to 300 mV. The bootstrap capacitor should be a low-ESR ceramic capacitor. A minimum value of 0.1  $\mu$ F to 0.47  $\mu$ F is best in most cases. The gate threshold of the high-side and low-side MOSFETs should be a logic level variety appropriate for 5-V gate drive.


**Figure 27. Drivers**


## 8 Application and Implementation

### NOTE

Information in the following applications sections is not part of the TI component specification, and TI does not warrant its accuracy or completeness. TI's customers are responsible for determining suitability of components for their purposes. Customers should validate and test their design implementation to confirm system functionality.

### 8.1 Application Information

The LM25141-Q1 is a synchronous buck controller used to convert a higher input voltage to a lower output voltage. The following design procedure can be used to select external component values. Alternately, the WEBENCH® software may be used to generate a complete design. The WEBENCH software uses an iterative design procedure and accesses a comprehensive database of components when generating a design. This section presents a simplified design process. In addition to the WEBENCH software, the user should avail of the LM25141-Q1 [quick-start calculator](#).



For step-by-step design procedure, circuit schematics, bill of materials, PCB files, simulation and test results of an LM25141-Q1-powered implementation, see [TI Designs](#) reference design library.

### 8.2 Typical Application

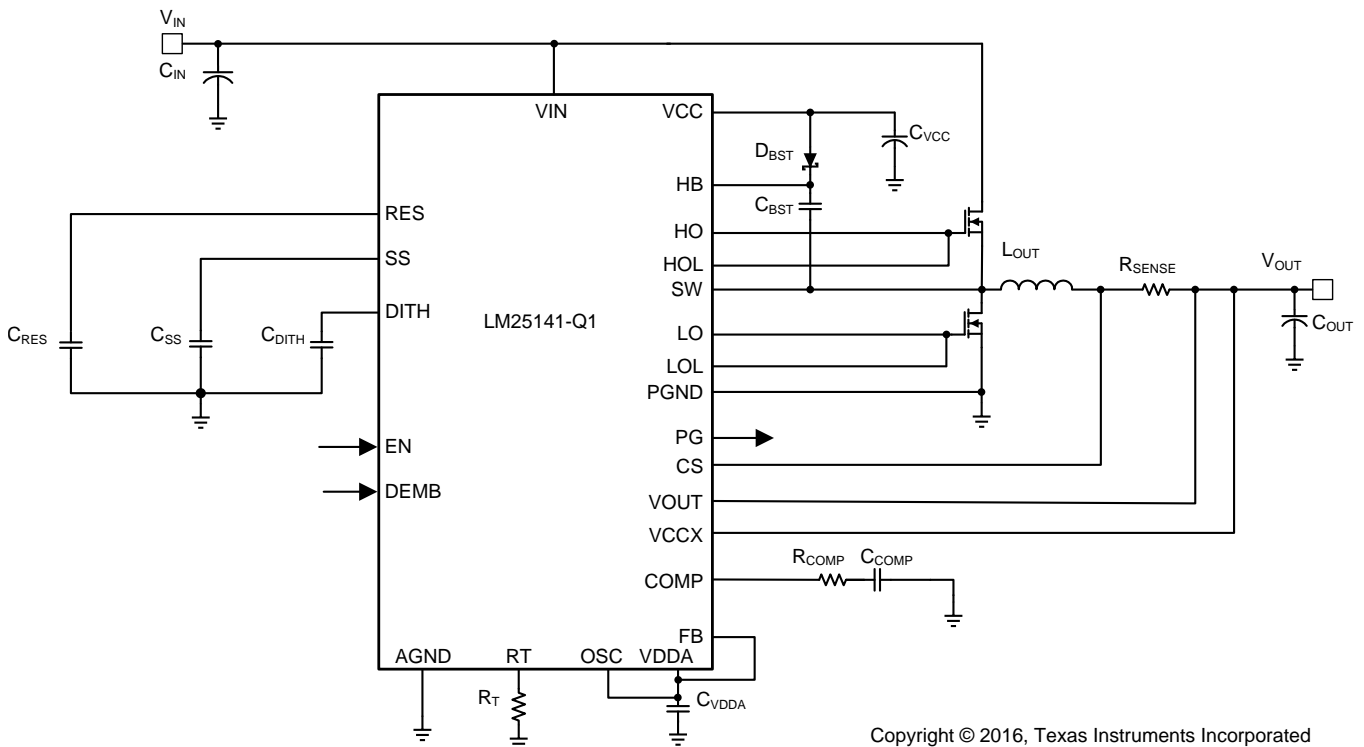


Figure 28. Typical Application Schematic

## Typical Application (continued)

### 8.2.1 Design Requirements

For this design example, the intended input, output, and performance parameters are shown in [Table 3](#).

**Table 3. Design Requirements**

| DESIGN PARAMETER                             | EXAMPLE VALUE |
|--|---------------|
| Input voltage range (Steady State)           | 8 V to 18 V   |
| V <sub>IN</sub> maximum (Transient)          | 42 V          |
| V <sub>IN</sub> minimum (Cold Crank)         | 3.8 V         |
| Output voltage                               | 3.3 V         |
| Output current                               | 6 A           |
| Operating frequency                          | 2.2 MHz       |
| Output voltage regulation                    | ±1%           |
| Standby current, one output enabled, no-load | < 35 μA       |
| Shutdown Current                             | 10 μA         |

### 8.2.2 Detailed Design Procedure

- Buck Inductor value
- Calculate the peak inductor current
- Current Sense resistor value
- Output capacitor value
- Input filter
- MOSFET selection
- Control Loop design

#### 8.2.2.1 Custom Design With WEBENCH® Tools

[Click here](#) to create a custom design using the LM25141-Q1 device with the WEBENCH® Power Designer.

1. Start by entering the input voltage (V<sub>IN</sub>), output voltage (V<sub>OUT</sub>), and output current (I<sub>OUT</sub>) requirements.
2. Optimize the design for key parameters such as efficiency, footprint, and cost using the optimizer dial.
3. Compare the generated design with other possible solutions from Texas Instruments.

The WEBENCH Power Designer provides a customized schematic along with a list of materials with real-time pricing and component availability.

In most cases, these actions are available:

- Run electrical simulations to see important waveforms and circuit performance
- Run thermal simulations to understand board thermal performance
- Export customized schematic and layout into popular CAD formats
- Print PDF reports for the design, and share the design with colleagues

Get more information about WEBENCH tools at [www.ti.com/WEBENCH](http://www.ti.com/WEBENCH).

#### 8.2.2.2 Inductor Calculation

For peak current mode control, sub-harmonic oscillation occurs with a duty cycle greater than 50% and is characterized by alternating wide and narrow pulses at the SW pin. By adding a slope compensating ramp equal to at least one-half the inductor current down-slope, any tendency toward sub-harmonic oscillation is damped within one switching cycle. For design simplification, the LM25141-Q1 has an internal slope compensation ramp added to the current sense signal.

For the slope compensation ramp to dampen sub-harmonic oscillation, the inductor value should be calculated based on the following guidelines ([Equation 15](#) assumes an inductor ripple current 30%):

$$L_{OUT} \geq \frac{V_{OUT}}{F_{SW} \times (0.3 \times I_{OUT})} \quad (15)$$



- Lower inductor values increase the peak-to-peak inductor current, which minimizes size and cost and improves transient response at the expense of reduced efficiency due to higher peak currents.
- Higher inductance values decrease the peak-to-peak inductor current, which typically increases efficiency by reducing the RMS current but requires larger output capacitors to meet load-transient specifications.

$$L_{OUT} \geq \frac{3.3V}{2.2MHz \times (0.3 \times 6A)} \quad (16)$$

$$L_{OUT} \geq 0.833\mu H$$

A standard inductor value of 1.5  $\mu H$  was selected

$$D_{MAX} = \frac{V_{OUT}}{V_{IN(MIN)}} = \frac{3.3V}{8V} = 0.413 \quad (17)$$

$$D_{MIN} = \frac{V_{OUT}}{V_{IN(MAX)}} = \frac{3.3V}{18V} = 0.183 \quad (18)$$

The peak-to-peak inductor current is:

$$\Delta I = \frac{V_{IN(MAX)} - V_{OUT}}{L_{OUT}} \times \frac{D_{MIN}}{F_{SW}} \quad (19)$$

$$\Delta I = \frac{18V - 3.3V}{1.5\mu H} \times \frac{0.183}{2.2MHz} = 0.815A \quad (20)$$

$$I_{pk} = I_{OUT} + \frac{\Delta I}{2} \quad (21)$$

$$I_{pk} = 6A + \frac{0.815}{2} = 6.41A \quad (22)$$

### 8.2.2.3 Current Sense Resistor

When calculating the current sense resistor, the maximum output current capability ( $I_{OUT(MAX)}$ ) should be at least 20% higher than the required full load current to account for tolerances, ripple current, and load transients. For this example, 120% of the 6.41-A peak inductor current calculated in the previous section ( $I_{pk}$ ) is 7.69 A. The current sense resistor value can be calculated using [Equation 23](#):

$$R_{SENSE} = \frac{V_{(CS)}}{I_{OUT(MAX)}} \quad (23)$$

$$R_{SENSE} = \frac{75mV}{7.69A} = 0.00975\Omega$$

where

- $V_{(CS)}$  is the 75 mV current limit threshold (24)

The  $R_{SENSE}$  value selected is 9 m $\Omega$

Carefully observe the PCB layout guidelines to ensure that noise and DC errors do not corrupt the differential current sense signals between the CS and VOUT pins. Place the sense resistor close to the devices with short, direct traces, creating Kelvin-sense connections between the current-sense resistor and the LM25141-Q1.

The propagation delays through the current limit comparator, logic, and external MOSFET gate drivers allow the peak current to increase above the calculated current limit threshold. For a propagation delay of  $t_{dly}$ , the worst case peak current through the inductor with the output shorted can be calculated from [Equation 25](#):

$$I_{pk_{SCKT}} = \frac{V_{(CS)}}{R_{SENSE}} + \frac{V_{IN(MAX)} \times t_{dly}}{L_{OUT}} \quad (25)$$

From the [Electrical Characteristics](#),  $t_{dly}$  is typically 40 ns.

$$I_{pk\_SCKT} = \frac{75\text{mV}}{0.009\Omega} + \frac{18\text{V} \times 40\text{ns}}{1.5\mu\text{H}} = 8.81\text{A} \quad (26)$$

Once the peak current and the inductance parameters are known, the inductor can be chosen. An inductor with a saturation current greater than  $I_{pk\_SCKT}$  (8.81 A) should be selected.

### 8.2.2.4 Output Capacitor

In a switch mode power supply, the minimum output capacitance is typically selected based on the capacitor ripple current rating and the load transient requirements. The output capacitor must be large enough to absorb the inductor energy and limit over voltage when transitioning from full-load to no-load, and to limit the output voltage undershoot during no-load to full load transients. The worst-case load transient from zero to full load occurs when the input voltage is at the maximum value and a current switching cycle has just finished. The total output voltage drop  $\Delta V_{OUT}$  is the sum of the voltage drop while the inductor is ramping up to support the full load and the voltage drop before the next pulse can occur.

The output capacitance required to maintain the minimum output voltage drop ( $\Delta V_{OUT}$ ) can be calculated as follows:

$$C_{OUT(MIN)} = \frac{L_{OUT} \times I_{STEP}^2}{2 \times \Delta V_{OUT} \times D_{MAX} \times (V_{IN(MIN)} - V_{OUT})} \quad (27)$$

$$C_{OUT(MIN)} = \frac{1.5\mu\text{H} \times 4\text{A}^2}{2 \times 33\text{mV} \times 0.413 \times (8\text{V} - 3.3\text{V})} = 186\mu\text{F}$$

where

- $I_{STEP} = 4\text{A}$
  - $\Delta V_{OUT} = 1\%$  of 3.3 V, or 33 mV
- (28)

For this example a total of 211  $\mu\text{F}$  of capacitance is used, two 82- $\mu\text{F}$  aluminum capacitors for energy storage and one 47- $\mu\text{F}$  low ESR ceramic capacitor to reduce high-frequency noise.

Generally, when sufficient capacitance is used to satisfy the undershoot requirement, the overshoot during a full-load to no-load transient is also satisfactory. After the output capacitance has been selected, calculate the output ripple current and verify that the ripple current is within the capacitor ripple current ratings.

$$I_{OUT(RMS)} = \frac{\Delta I}{\sqrt{12}} \quad (29)$$

$$I_{OUT(RMS)} = \frac{0.815\text{A}}{\sqrt{12}} = 0.235\text{A} \quad (30)$$

### 8.2.2.5 Input Filter

A power supply input typically has a relatively high source impedance at the switching frequency. Good-quality input capacitors are necessary to limit the ripple voltage at the VIN pin while supplying most of the switch current during the buck switch on-time. When the buck switch turns on, the current drawn from the input capacitor steps from zero to the valley of the inductor current waveform, then ramps up to the peak value, and then drops to the zero at turnoff.

Average input current can be calculated from the total input power required to support the load at  $V_{OUT}$ :

$$P_{IN} = \frac{V_{OUT} \times I_{OUT}}{\eta} \quad (31)$$

The efficiency ( $\eta$ ) is assumed to be 83% for this design example, yielding a total input power:

$$P_{IN} = \frac{3.3\text{V} \times 6\text{A}}{0.83} = 23.86\text{W} \quad (32)$$

$$I_{avg} = \frac{P_{IN}}{V_{IN(MIN)}} \quad (33)$$

$$I_{\text{avg}} = \frac{28.6 \text{ W}}{8 \text{ V}} = 3.58 \text{ A} \quad (34)$$

The input capacitors should be selected with sufficient RMS current rating and the maximum voltage rating.

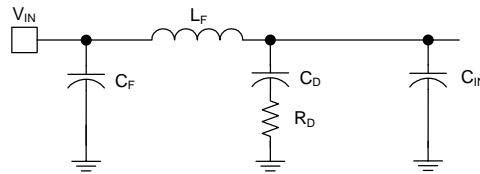
$$I_{\text{IN(RMS)}} = \sqrt{\left[ (I_{\text{pk}} - I_{\text{avg}})^2 + \frac{\Delta I^2}{12} \right] \times D_{\text{MAX}} + (I_{\text{avg}}^2 \times (1 - D_{\text{MAX}}))} \quad (35)$$

$$I_{\text{IN(RMS)}} = \sqrt{(6.41 \text{ A} - 3.58 \text{ A})^2 + \frac{0.815^2}{12} \times 0.413 + (3.58 \text{ A}^2 \times (1 - 0.413))} = 2.93 \text{ A} \quad (36)$$

### 8.2.2.5.1 EMI Filter Design

EMI Filter Design Steps:

- Calculate the required attenuation
- Capacitor  $C_{\text{IN}}$  represents the existing capacitor at the input of the switching converter (10  $\mu\text{F}$  was used for this application)
- Inductor  $L_{\text{F}}$  is usually selected between 1  $\mu\text{H}$  and 10  $\mu\text{H}$  (1.8  $\mu\text{H}$  was used for this application), but can be smaller to reduce losses in a high current design
- Calculate capacitor  $C_{\text{F}}$



**Figure 29. Input EMI Filter**

By calculating the first harmonic current from the Fourier series of the input current waveform and multiplying it by the input impedance (the impedance is defined by the existing input capacitor  $C_{\text{IN}}$ ), a formula can be derived to obtain the required attenuation:

$$|\text{Attn}| = 20 \times \log \left[ \frac{\frac{I_{\text{pk}}}{\pi^2 \times F_{\text{SW}} \times C_{\text{IN}}} \times \sin(\pi \times D_{\text{MAX}})}{1 \mu\text{V}} \right] - V_{\text{MAX}} \quad (37)$$

$$|\text{Attn}| = 20 \log \left[ \frac{\frac{6.41 \text{ A}}{\pi^2 \times 2.2 \text{ MHz} \times 10 \mu\text{F}} \times \sin(\pi \times 0.413)}{1 \mu\text{V}} \right] - 45 \text{ dB}\mu\text{V} = 44.07 \text{ dB} \quad (38)$$

$V_{\text{MAX}}$  is the allowed  $\text{dB}\mu\text{V}$  noise level for the particular EMI standard.  $C_{\text{IN}}$  is the existing input capacitors of the Buck converter, for this application 10  $\mu\text{F}$  was selected.  $D_{\text{MAX}}$  is the maximum duty cycle,  $I_{\text{pk}}$  is the inductor current, the current at the input can be modeled as a square wave,  $F_{\text{SW}}$  is the switching frequency.

$$C_{\text{F}} = \frac{1}{L_{\text{F}}} \left[ \frac{\frac{|\text{Attn}|}{10^{\frac{40}{20}}}}{2 \times \pi \times F_{\text{SW}}} \right]^2 \quad (39)$$

$$C_{\text{F}} = \frac{1}{1.8 \mu\text{H}} \left( \frac{10^{\frac{44.07}{20}}}{2 \times \pi \times 2.2 \text{ MHz}} \right)^2 = 0.47 \mu\text{F} \quad (40)$$

For this application,  $C_F$  was chosen to be  $1 \mu\text{F}$ . Adding an input filter to a switching regulator modifies the control-to output transfer function. The output impedance of the filter must be sufficiently small such that the input filter does not significantly affect the loop gain of the buck converter. The impedance of the filter peaks at the filter resonant frequency.

$$F_R = \frac{1}{2 \times \pi \sqrt{L_F C_{IN}}} \quad (41)$$

$$F_R = \frac{1}{2 \times \pi \sqrt{1.8 \mu\text{H} \times 10 \mu\text{F}}} = 37.53 \text{kHz} \quad (42)$$

Referring to [Figure 29](#), the purpose of  $R_D$  is to reduce the peak output impedance of the filter at the cutoff frequency. The capacitor  $C_D$  blocks the DC component of the input voltage, and avoids excessive power dissipation on  $R_D$ . The capacitor  $C_D$  should have lower impedance than  $R_D$  at the resonant frequency, with a capacitance value greater than 5 times the filter capacitor  $C_{IN}$ . This will prevent it from interfering with the cutoff frequency of the main filter. Added damping is needed when the output impedance is high at the resonant frequency (Q) of filter formed by  $C_{IN}$  and  $L_F$  is too high):

An electrolytic cap  $C_D$  can be used as damping device, with value:

$$R_D = \sqrt{\frac{L_F}{C_{IN}}} \quad (43)$$

For this design  $C_D = 47 \mu\text{F}$  was selected

$$R_D = \sqrt{\frac{1.8 \mu\text{H}}{10 \mu\text{F}}} = 0.424 \Omega \quad (44)$$

#### 8.2.2.5.2 MOSFET Selection

The LM25141-Q1 gate drivers are powered by the internal 5-V VCC bias regulator. To reduce power dissipation in the controller and improve efficiency, the VCCX pin should be connected to the 5-V output or an external 5-V bias supply. The MOSFETs used with the LM25141-Q1 require a logic-level gate threshold with  $R_{DS(ON)}$  specified with  $V_{GS} = 4.5 \text{V}$  or lower.

The MOSFETs must be chosen with a  $V_{DS}$  rating to withstand the maximum  $V_{IN}$  voltage plus supply voltage transients and spikes (ringing). For automotive applications, the maximum  $V_{IN}$  occurs during a load dump and the voltage can surge up to 42 V under some conditions. A MOSFET with a  $V_{DS}$  rating of 60 V would meet most application requirements. The N-channel MOSFETs must be capable of delivering the load current plus peak ripple current during switching.

The high-side MOSFET losses are associated with the  $R_{DS(ON)}$  of the MOSFET and the switching losses.

$$P_{D(HS)} = (I_{OUT}^2 \times R_{DS(ON)} \times D_{MAX}) + \frac{1}{2} \times V_{IN} \times (t_r + t_f) \times I_{OUT} \times F_{SW} \quad (45)$$

$$P_{D(HS)} = ((6 \text{A})^2 \times 0.026 \Omega \times 0.413) + \frac{1}{2} \times 12 \text{V} \times (17 \text{ns} + 17 \text{ns}) \times 6 \text{A} \times 2.2 \text{MHz} = 2.69 \text{W}$$

where

- $t_r = t_s = 17 \text{ns}$  (46)

The losses in the low side MOSFET include:  $R_{DS(ON)}$  losses, dead time losses, and losses in the MOSFETs internal body diode. The body diode conducts the inductor current during the dead time before the rising edge of the switch node; minority carriers are injected into and stored in the diode PN junction when forward biased. As the high-side FET starts to turn on, a negative current must first flow through the diode to remove the stored charge before the diode can block a reverse voltage. During this time, the high side drain-source voltage remains at  $V_{IN}$  until all the diode minority carriers are removed. Then, the diode begins to block negative voltage and the reverse current continues to flow to charge the body diode depletion capacitance. The total charge involved in this period is called reverse-recovery charge  $Q_{rr}$ .

$$P_{D(LO)} = (I_{OUT}^2 \times R_{DS(ON)} \times (1 - D_{MAX})) + (I_{OUT} \times (t_{dr} + t_{df})) \times F_{SW} \times V_{D(FET)} + (D_{Qrr} \times F_{SW} \times V_{IN}) \quad (47)$$

$$P_{D(LO)} = ((6A)^2 \times 26m\Omega \times (1 - 0.413)) + (6A \times (20ns + 20ns)) \times 2.2MHz \times 0.8V + (105nC \times 2.2MHz \times 12V) = 3.744W$$

where

- $t_{dr}$  and  $t_{df}$  are the switch node voltage rise and fall times (20 ns)
  - $V_{D(FET)}$  is the forward voltage drop across the low-side MOSFET internal body diode (0.8 V)
  - $D_{Qrr}$  is the internal body diode reverse recovery charge (105 nC)
  - $R_{DS(ON)}$  is the on resistance of the MOSFETs (26 mΩ at  $T_J = 125^\circ C$ )
- (48)

Table 4 provides parameters for several MOSFETs that have tested in the LM25141-Q1 evaluation module.

Table 4. EVM MOSFETs

| MANUFACTURER      | PART NUMBER | $V_{DS}$ (V) | $I_D$ (A) | $Q_{g(MAX)}$ (nC)<br>$V_{GS} = 4.5V$ | $R_{DS(ON)}$ (mΩ)<br>$V_{GS} = 4.5V$ | $C_{OSS(MAX)}$ (pF) | APPLICATION           |
|-------------------|-------------|--------------|-----------|--------------------------------------|--------------------------------------|---------------------|-----------------------|
| VISHAY            | SQJ850EP    | 60           | 24        | 30                                   | 32                                   | 215                 | Automotive high power |
| VISHAY            | SQ7414EN    | 60           | 5.6       | 25                                   | 36                                   | 175                 | Automotive low power  |
| Texas Instruments | CSD18534Q5A | 60           | 13        | 11.1                                 | 12.4                                 | 217                 | Industrial            |

### 8.2.2.5.3 Driver Slew Rate Control

Figure 30 shows the high current driver outputs with independent source and current sink pins for slew rate control. Slew rate control enables the user to adjust the switch node rise and fall times which can reduce the conducted EMI in the FM radio band (30 MHz to 108 MHz). Using the LM25141-Q1 EVM, conducted emissions were measured in accordance with CISPR 25 Class 5. Figure 31 shows the measured results without slew rate control.

The conducted EMI results with slew rate control are shown in Figure 32, a 10-dB reduction in conduction emissions in the FM band is attained by using slew rate control. This can help reduce the size and cost of the EMI filters.

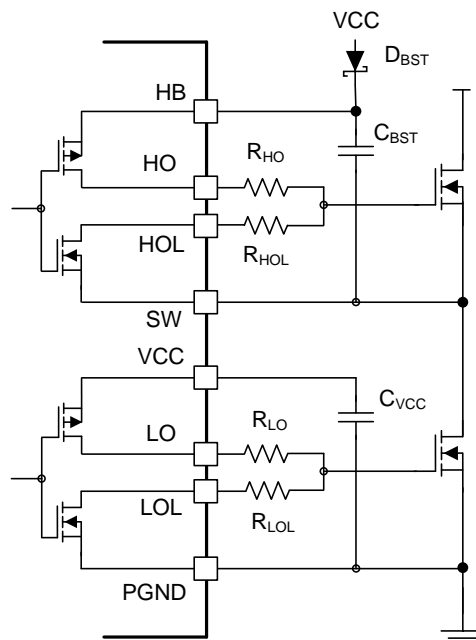
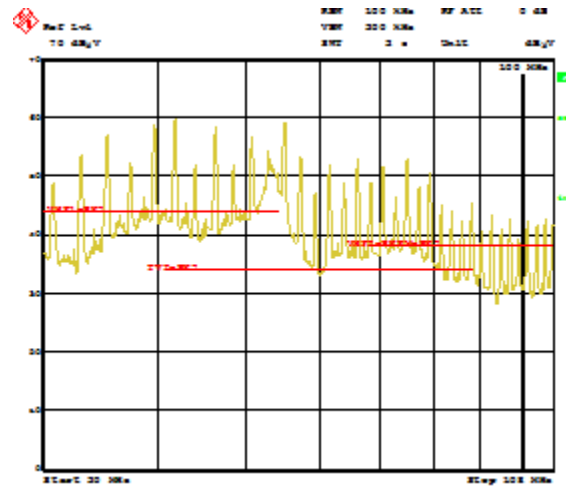
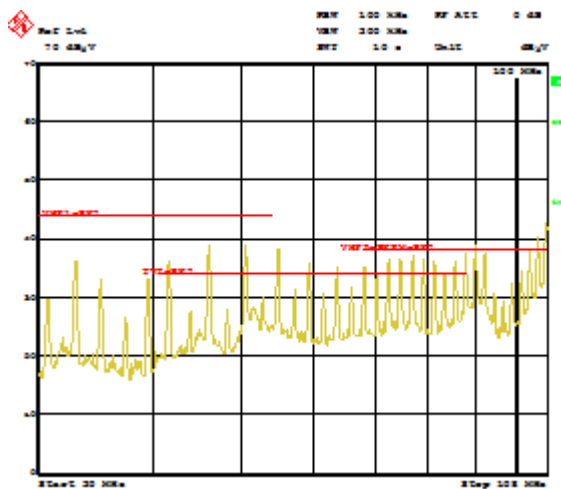


Figure 30. Drivers With Slew Rate Control



**Figure 31. EMI Measurements CISPR 25 Class 5, Without Slew Rate Control**



**Figure 32. EMI Measurements CISPR 25 Class 5, With Slew Rate Control**



For technical solutions, industry trends, and insights for designing and managing power supplies, please refer to TI's [Power House](#) blog series.

### 8.2.2.5.4 Frequency Dithering

Figure 33 shows the CISPR 25 Class 5 conducted emission test run on the LM25141-Q1EVM, without the Dither feature enabled. The first harmonic (peak measurement) is 48 dB $\mu$ V, Figure 34 shows the conducted emissions test results with the Dither feature enabled. With the Dither featured enabled, the first harmonic (peak measurement) was lowered to 40 dB $\mu$ V, an 8-dB reduction.

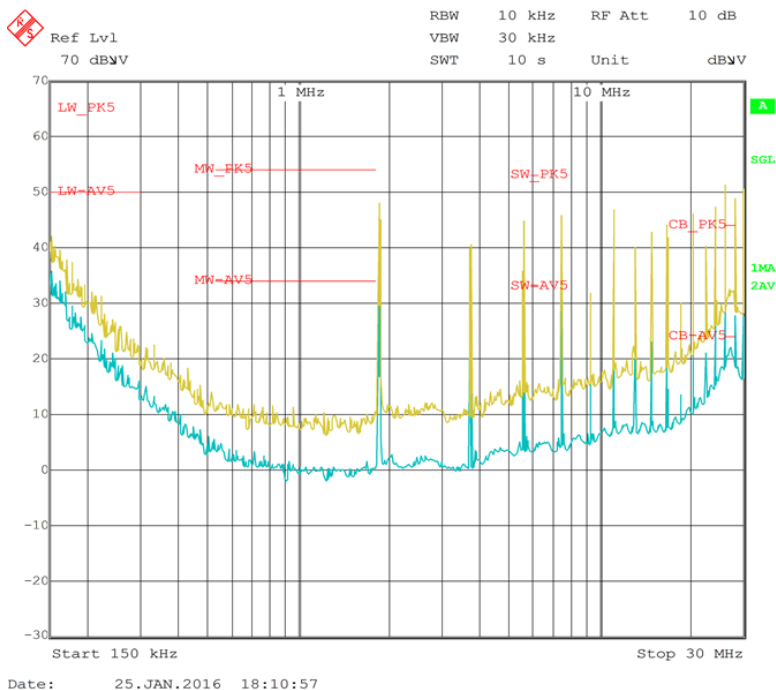


Figure 33. CISPR 25 Class 5 Conducted EMI, Without Dither

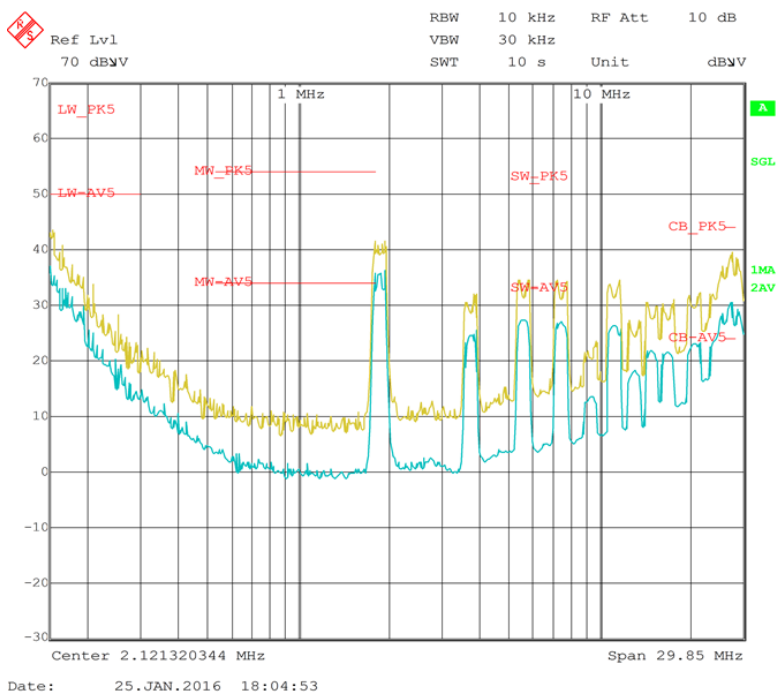


Figure 34. CISPR 25 Class 5 With Dither

### 8.2.2.6 Control Loop

The open-loop gain is defined as the product of modulator transfer function and feedback transfer function. When plotted on a dB scale, the open-loop gain is shown as the sum of modulator gain and feedback gain.

DC modulator gain is:

$$AM = \frac{R_{LOAD}}{(R_{SENSE} + R_{DCR}) \times G_{CS}} \quad (49)$$

The modulator gain plus power stage transfer function with an embedded current loop is show in Equation 50. The Equation 50 includes the sample gain at  $F_{SW}/2$  ( $\omega_n$ ), which is caused by sampling effect of current mode control.

$$\frac{\hat{V}_{OUT}(s)}{\hat{V}_C(s)} = AM \times \frac{\left(1 + \frac{s}{\omega_Z}\right)}{\left(1 + \frac{s}{\omega_P}\right) \times \left(1 + \frac{s}{\omega_n Q} + \frac{s^2}{\omega_n^2}\right)}$$

where

- $s = 2 \times \pi \times F_{SW}$
- $Q = \frac{1}{\pi(K - 0.5)}$
- $\omega_Z = \frac{1}{C_{ESR} \times C_{OUT}}$
- $\omega_P = \frac{1}{R_{LOAD} \times C_{OUT}}$
- $\omega_n = \pi \times F_{SW}$
- $K = 1$
- $G_{CS}$  is the current sense amplifier gain which is 12

Because the loop cross over frequency is well below sample gain effects, Equation 50 can be simplified as one pole and a one zero system as shown in Equation 51.

$$\frac{\hat{V}_{OUT}(s)}{\hat{V}_C(s)} = AM \times \frac{\left(1 + \frac{s}{\omega_Z}\right)}{\left(1 + \frac{s}{\omega_P}\right)} \quad (51)$$

$R_{LOAD}$  is the load resistance

$R_{DCR}$  is the DC resistance on the output inductor which is 8.1 mΩ

$R_{SENSE}$  is the current sense resistance which is 9 mΩ

#### 8.2.2.6.1 Feedback Compensator

A type II compensator using an transconductance error amplifier (EA),  $G_m$ , is shown in Figure 35. The dominant pole of the EA open-loop gain is set by the EA output resistance,  $R_{AMP}$ , and effective bandwidth-limiting capacitance,  $C_O$ , as follows:

$$G_{EA(openloop)}(s) = -\frac{G_m R_{AMP}}{1 + s R_{AMP} C_O} \quad (52)$$

The EA high frequency pole is neglected in the above expression. The compensator transfer function from output voltage to COMP, including the gain contribution from the feedback resistor divider network is:

$$G_C(s) = \frac{\hat{V}_C(s)}{\hat{V}_{OUT}(s)} = -\frac{V_{REF}}{V_{OUT}} \times G_m \times Z_{EAOUT}(s) \quad (53)$$



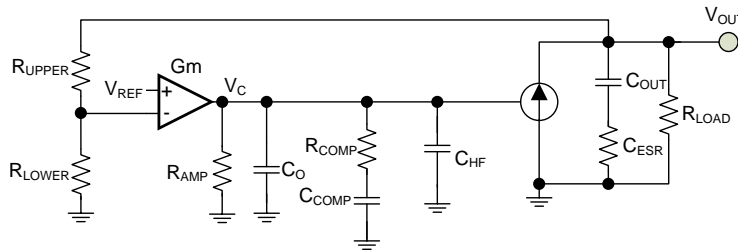
$$\frac{R_{\text{LOWER}}}{R_{\text{LOWER}} + R_{\text{UPPER}}} = \frac{V_{\text{REF}}}{V_{\text{OUT}}}$$

where

$$Z_{\text{EAOUT}}(s) = G_m \times \left( R_{\text{AMP}} \left\| \left( R_{\text{COMP}} + \frac{1}{sC_{\text{COMP}}} \right) \right\| \frac{1}{sC_{\text{HF}}} \right\| \frac{1}{sC_{\text{O}}} \right) \quad (54)$$

Which simplifies to:

$$Z_{\text{EAOUT}}(s) = R_{\text{AMP}} \frac{1 + \frac{s}{\omega_{\text{zEA}}}}{\left( 1 + \frac{s}{\omega_{\text{pEA1}}} \right) \times \left( 1 + \frac{s}{\omega_{\text{pEA2}}} \right)} \quad (55)$$



**Figure 35. Transconductance Amplifier**

$$\omega_{\text{zEA}} = \frac{1}{R_{\text{COMP}} \times C_{\text{COMP}}} \quad (56)$$

$$\omega_{\text{pEA1}} = \frac{1}{(R_{\text{AMP}} + R_{\text{COMP}})(C_{\text{COMP}} + C_{\text{HF}} + C_{\text{O}})} \cong \frac{1}{R_{\text{AMP}} \times C_{\text{COMP}}} \quad (57)$$

$$\omega_{\text{pEA2}} = \frac{1}{R_{\text{COMP}} (C_{\text{COMP}} \parallel (C_{\text{HF}} + C_{\text{O}}))} \cong \frac{1}{R_{\text{COMP}} \times C_{\text{HF}}} \quad (58)$$

Typically  $R_{\text{COMP}} \ll R_{\text{AMP}}$  and  $C_{\text{COMP}} \gg (C_{\text{HF}} + C_{\text{O}})$  so the approximations are valid.

where

$V_{\text{REF}}$  is the feedback voltage reference (1.2 V)

$G_m$  is the error amplifier gain transconductance (1200  $\mu\text{S}$ )

$R_{\text{AMP}}$  is the error amplifier output impedance (2.5 M $\Omega$ )

The error amplifier compensation components create a pole at the origin, a zero, and a high frequency pole.

The procedure for choosing compensation components for a stable closed loop is:

- Select the desired open-loop gain crossover frequency ( $f_c$ ); for this application 30 kHz was chosen
- Calculate the  $R_{\text{COMP}}$  resistor for the gain crossover frequency at 30 kHz

$$R_{\text{COMP}} = f_c \frac{V_{\text{OUT}}}{V_{\text{REF}}} \times \frac{2 \times \pi \times C_{\text{OUT}} \times (R_{\text{SENSE}} + R_{\text{DCR}}) \times G_{\text{CS}}}{G_m} \quad (59)$$

$$R_{\text{COMP}} = 30\text{KHz} \times \frac{3.3\text{V}}{1.2\text{V}} \times \frac{2 \times \pi \times 293\mu\text{F} \times (0.009\Omega + 0.0081\Omega) \times 12}{1200 \times 10^{-6}\mu\text{S}} = 25927\Omega \quad (60)$$

The value selected for  $R_{\text{COMP}}$  is 22.6 k $\Omega$ .

where

$R_{\text{DCR}} = 0.0081 \Omega$

- Calculate the  $C_{\text{COMP}}$  capacitor value to create a zero that cancels the pole  $\omega_p$  ( $\omega_p = 1/R_{\text{LOAD}} \times C_{\text{OUT}}$ )

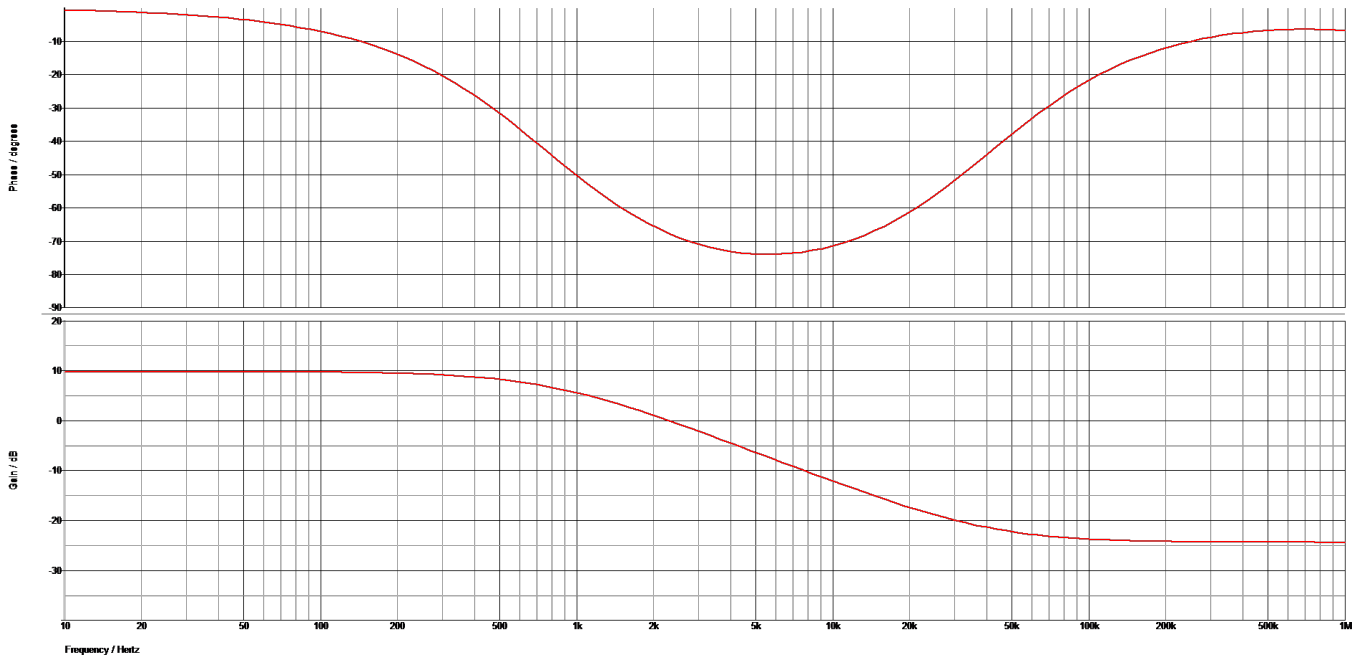
$$C_{\text{COMP}} = \frac{R_{\text{LOAD}} \times C_{\text{OUT}}}{R_{\text{COMP}}} \quad (61)$$

$$C_{\text{COMP}} = \frac{0.477\Omega \times 290\mu\text{F}}{22.6\text{k}\Omega} = 6\text{nF} \quad (62)$$

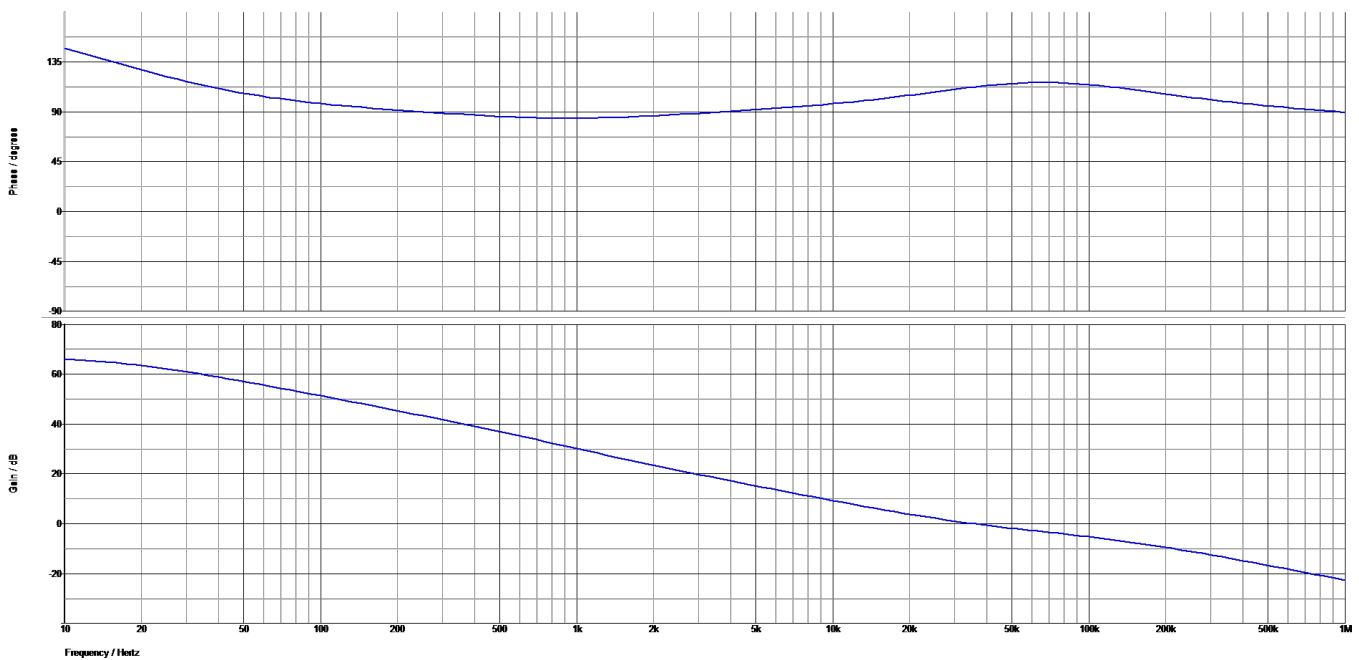
The value selected for  $C_{\text{COMP}}$  is 10 nF.

### 8.2.3 Application Curves

The Bode Plots of the modulator and plus power stage are shown in refer to [Figure 36](#). The results of the total loop gain crossover frequency are 40 kHz with 112° of phase margin, (see [Figure 37](#)).



**Figure 36. ( $V_{\text{OUT}}/V_{\text{C}}$ ) Modulator Gain and Phase**



**Figure 37. Loop Gain and Phase**

## 9 Power Supply Recommendations

The LM25141-Q1EVM was designed to operate over an input voltage supply range between 5.5 V and 42 V. The input supply must be well regulated. If the power source is located more than a few inches from the LM25141-Q1 EVM, additional bulk capacitance and ceramic bypass capacitors may be required at the power supply input. An electrolytic capacitor with a value of 47  $\mu$ F is typically a good choice.

## 10 Layout

### 10.1 Layout Guidelines

Careful PCB layout is critical to achieve low EMI and stable power supply operation. Make the high-frequency current loops as small as possible, and follow these guidelines of good layout practices:

1. Keep the high-current paths short. This is essential for stable, jitter-free operation.
2. Keep the power traces and load connections short. This is essential for high efficiency. Using 2-oz. or thicker copper can enhance full load efficiency.
3. Minimize current-sensing errors by routing CS and VOUT using a kelvin sensing directly across the current sense resistor ( $R_{SENSE}$ ).
4. Route high-speed switching nodes (HB, HO, LO, and SW) away from sensitive analog signals (FB, CS, and VOUT).

#### 10.1.1 Layout Procedure

Place the power components first, with ground terminals adjacent to the low-side FET.

- Mount the controller IC as close as possible to the high and low-side MOSFETs. Make the grounds and high and low-sided drive gate drive lines as short and wide as possible. Place the series gate drive resistor as close to the MOSFET as possible to minimize gate ringing.
- Locate the gate drive components (D1 and C12) together and near the controller IC; refer to [Figure 38](#). Be aware that peak gate drive currents can be as high as 4 A. Average current up to 75 mA can flow from the VCC pin to the  $V_{CC}$  capacitor through the bootstrap diode to the bootstrap capacitor. Size the traces accordingly.
- [Figure 39](#) shows the high-frequency loops of the synchronous buck converter. The high frequency current flows through Q1 and Q2, through the power ground plane and back to  $V_{IN}$  through the ceramic capacitors C6, C7, and C8. This loop must be as small as possible to minimize EMI. Refer to [Figure 41](#) and [Figure 42](#) for the recommended PCB layout.
- Make the PGND and AGND connections to the LM25141-Q1 controller as shown in [Figure 40](#). Create a power grounds directly connected to all high-power components and an analog ground plane for sensitive analog components. The analog ground plane (AGND) and power ground plane (PGND) must be connected at a single point directly under the IC (at the die attach pad or DAP).

## 10.2 Layout Examples

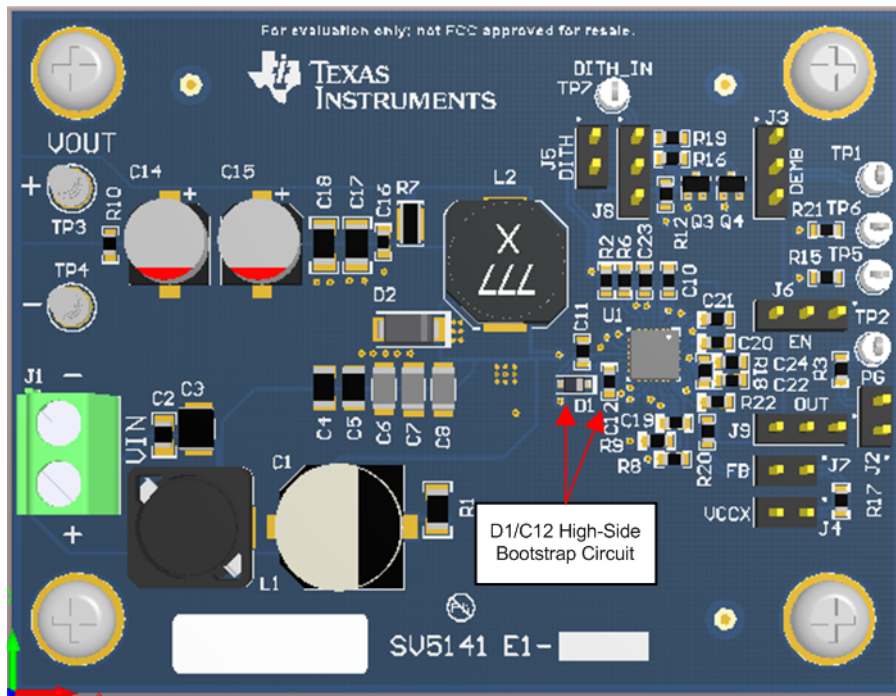


Figure 38. EVM Top Side

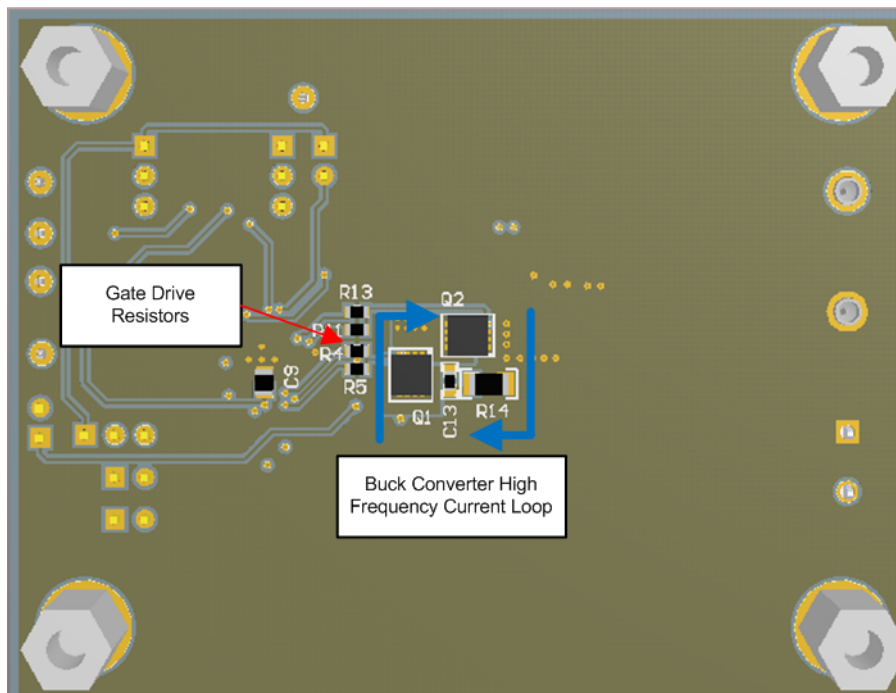


Figure 39. EVM Bottom Layer, High-Frequency Current Loop

Layout Examples (continued)

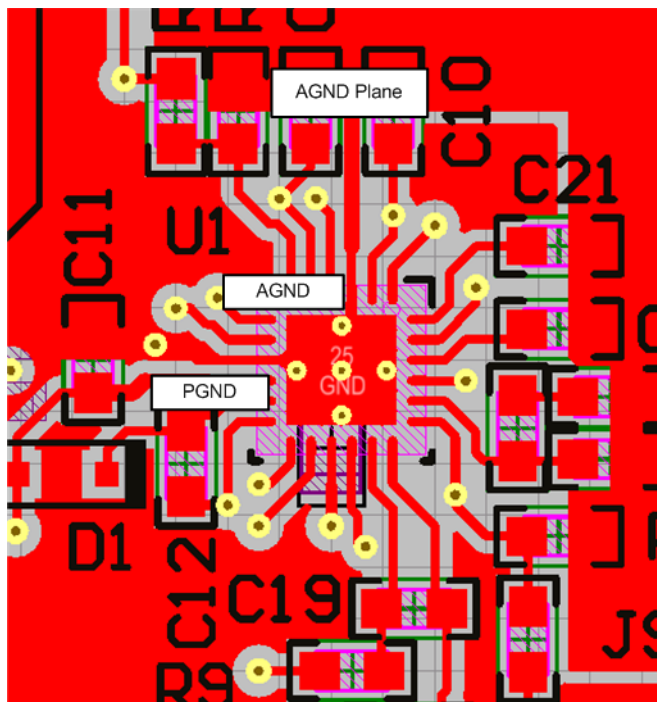


Figure 40. AGND and PGND Connections

Figure 41 and Figure 42 show the Top and Bottom layer of the LM25141-Q1 EVM.

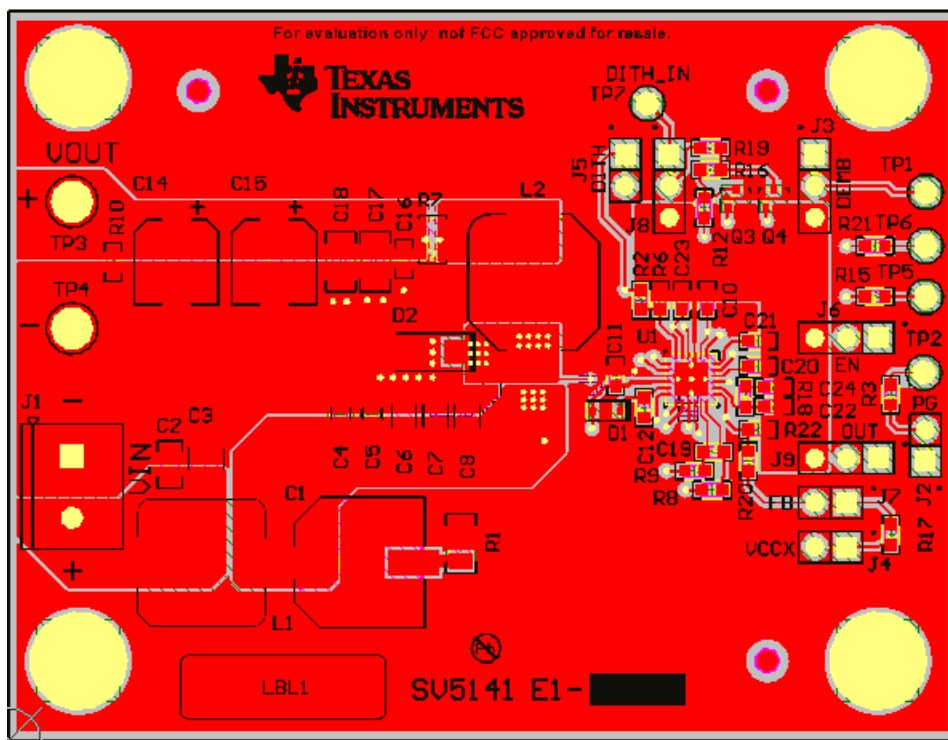
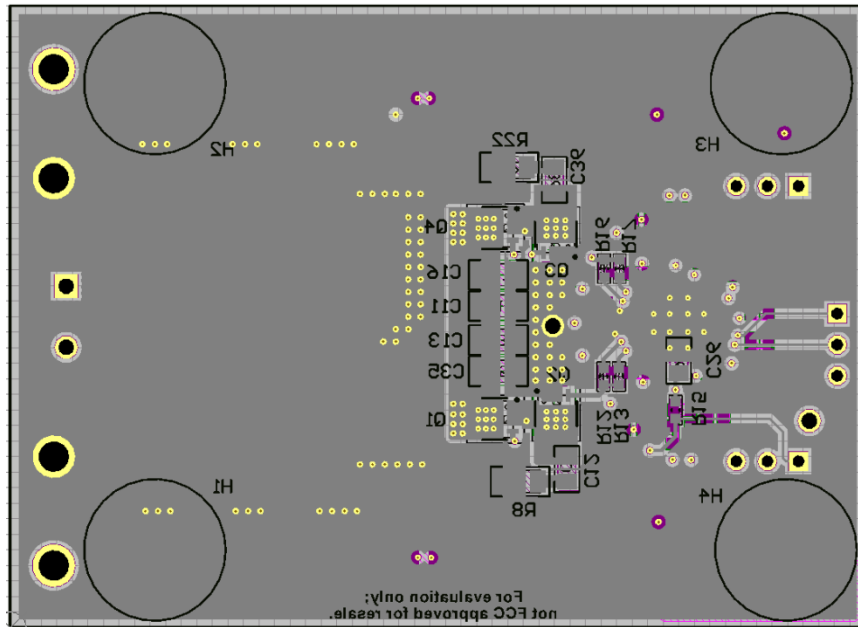


Figure 41. EVM Top Layer

**Layout Examples (continued)**



**Figure 42. EVM Bottom Layer**

## 11 器件和文档支持

### 11.1 器件支持

#### 11.1.1 开发支持

相关开发支持请参阅以下文档:

- [LM25141-Q1 设计计算器](#)
- [LM25141-Q1 仿真模型](#)
- 有关 TI 的参考设计库, 请访问 [TI Designs](#)
- 有关 TI WEBENCH 设计环境, 请访问 [WEBENCH® 设计中心](#)
- 要查看本产品的相关器件, 请参阅 [LM5140-Q1 65V、低 I<sub>Q</sub> 双路同步降压控制器](#)

##### 11.1.1.1 使用 **WEBENCH®** 工具创建定制设计

请单击[此处](#), 使用 LM25141-Q1 器件并借助 WEBENCH® 电源设计器创建定制设计。

1. 首先键入输入电压 ( $V_{IN}$ )、输出电压 ( $V_{OUT}$ ) 和输出电流 ( $I_{OUT}$ ) 要求。
2. 使用优化器拨盘优化关键参数设计, 如效率、封装和成本。
3. 将生成的设计与德州仪器 (TI) 的其他解决方案进行比较。

WEBENCH 电源设计器可提供定制原理图以及罗列实时价格和组件供货情况的物料清单。

在多数情况下, 可执行以下操作:

- 运行电气仿真, 观察重要波形以及电路性能
- 运行热性能仿真, 了解电路板热性能
- 将定制原理图和布局方案导出至常用 CAD 格式
- 打印设计方案的 PDF 报告并与同事共享

有关 WEBENCH 工具的详细信息, 请访问 [www.ti.com/WEBENCH](http://www.ti.com/WEBENCH)。

### 11.2 文档支持

#### 11.2.1 相关文档

如需相关文档, 请参阅:

- [LM5141QRG 同步降压转换器评估模块](#)
- [通过将电感寄生效应降至最低来降低降压转换器 EMI 和电压应力](#)
- [设计高性能、低 EMI 的汽车电源](#)
- TI 参考设计:
  - [汽车同步降压参考设计 \(TIDUDL3\)](#)
  - [汽车同步降压 \(3.3V, 12.0A\) 参考设计 \(TIDUDL6\)](#)
  - [汽车仪表组同步降压转换器参考设计 \(TIDUE07\)](#)
- 白皮书:
  - [《评估适用于具有成本效益的严苛应用的宽  \$V\_{IN}\$ 、低 EMI 同步降压 电路》](#)
- Power House 博客:
  - [如何将转换速率用于 EMI 控制](#)
  - [利用电流模式控制进行宽输入电压直流/直流转换](#)
  - [同步降压控制器解决方案支持提供宽  \$V\_{IN}\$  性能和灵活性](#)

##### 11.2.1.1 PCB 布局资源

- [《AN-1149 开关电源布局指南》](#)
- [AN-1229 Simple Switcher PCB 布局指南](#)
- [构建电源 - 布局注意事项](#)
- [直流/直流转换器的高密度 PCB 布局](#)

## 文档支持 (continued)

### 11.2.1.2 热设计资源

- 《AN-2020 热设计：学会洞察先机，不做事后诸葛》
- AN-1520 《外露焊盘封装实现最佳热阻性的电路板布局指南》
- 半导体和集成电路 (IC) 封装热量量
- 使用 LM43603 与 LM43602 简化热设计
- <sup>TM</sup> 《PowerPAD 热增强型封装》
- 《PowerPAD 速成》
- 《使用新的热指标》

### 11.3 接收文档更新通知

要接收文档更新通知，请导航至 TI.com 上的器件产品文件夹。单击右上角的 [通知我](#) 进行注册，即可每周接收产品信息更改摘要。有关更改的详细信息，请查看任何已修订文档中包含的修订历史记录。

### 11.4 社区资源

下列链接提供到 TI 社区资源的连接。链接的内容由各个分销商“按照原样”提供。这些内容并不构成 TI 技术规范，并且不一定反映 TI 的观点；请参阅 TI 的 [《使用条款》](#)。

**TI E2E™ 在线社区** *TI 的工程师对工程师 (E2E) 社区*。此社区的创建目的在于促进工程师之间的协作。在 [e2e.ti.com](http://e2e.ti.com) 中，您可以咨询问题、分享知识、拓展思路并与同行工程师一道帮助解决问题。

**设计支持** *TI 参考设计支持* 可帮助您快速查找有帮助的 E2E 论坛、设计支持工具以及技术支持的联系信息。

### 11.5 商标

E2E is a trademark of Texas Instruments.

WEBENCH is a registered trademark of Texas Instruments.

is a trademark of ~ Texas Instruments.

All other trademarks are the property of their respective owners.

### 11.6 静电放电警告



ESD 可能会损坏该集成电路。德州仪器 (TI) 建议通过适当的预防措施处理所有集成电路。如果不遵守正确的处理措施和安装程序，可能会损坏集成电路。

ESD 的损坏小至导致微小的性能降级，大至整个器件故障。精密的集成电路可能更容易受到损坏，这是因为非常细微的参数更改都可能会导致器件与其发布的规格不相符。

### 11.7 Glossary

[SLYZ022](#) — *TI Glossary*.

This glossary lists and explains terms, acronyms, and definitions.

## 12 机械、封装和可订购信息

以下页面包含机械、封装和可订购信息。这些信息是指定器件的最新可用数据。数据如有变更，恕不另行通知和修订此文档。如欲获取此数据表的浏览器版本，请参阅左侧的导航。



**PACKAGING INFORMATION**

| Orderable Device | Status<br>(1) | Package Type | Package Drawing | Pins | Package Qty | Eco Plan<br>(2) | Lead finish/<br>Ball material<br>(6) | MSL Peak Temp<br>(3) | Op Temp (°C) | Device Marking<br>(4/5) | Samples   |
|------------------|---------------|--------------|-----------------|------|-------------|-----------------|--------------------------------------|----------------------|--------------|-------------------------|---|
| LM25141QRGERQ1   | ACTIVE        | VQFN         | RGE             | 24   | 3000        | RoHS & Green    | NIPDAU   SN                          | Level-2-260C-1 YEAR  | -40 to 150   | LM<br>25141Q            |  |
| LM25141QRGETQ1   | ACTIVE        | VQFN         | RGE             | 24   | 250         | RoHS & Green    | NIPDAU   SN                          | Level-2-260C-1 YEAR  | -40 to 150   | LM<br>25141Q            |  |
| LM25141QURGERQ1  | ACTIVE        | VQFN         | RGE             | 24   | 3000        | RoHS & Green    | SN                                   | Level-2-260C-1 YEAR  | -40 to 150   | 25141Q<br>RGEU          |  |

(1) The marketing status values are defined as follows:

**ACTIVE:** Product device recommended for new designs.

**LIFEBUY:** TI has announced that the device will be discontinued, and a lifetime-buy period is in effect.

**NRND:** Not recommended for new designs. Device is in production to support existing customers, but TI does not recommend using this part in a new design.

**PREVIEW:** Device has been announced but is not in production. Samples may or may not be available.

**OBSELETE:** TI has discontinued the production of the device.

(2) **RoHS:** TI defines "RoHS" to mean semiconductor products that are compliant with the current EU RoHS requirements for all 10 RoHS substances, including the requirement that RoHS substance do not exceed 0.1% by weight in homogeneous materials. Where designed to be soldered at high temperatures, "RoHS" products are suitable for use in specified lead-free processes. TI may reference these types of products as "Pb-Free".

**RoHS Exempt:** TI defines "RoHS Exempt" to mean products that contain lead but are compliant with EU RoHS pursuant to a specific EU RoHS exemption.

**Green:** TI defines "Green" to mean the content of Chlorine (Cl) and Bromine (Br) based flame retardants meet JS709B low halogen requirements of <=1000ppm threshold. Antimony trioxide based flame retardants must also meet the <=1000ppm threshold requirement.

(3) MSL, Peak Temp. - The Moisture Sensitivity Level rating according to the JEDEC industry standard classifications, and peak solder temperature.

(4) There may be additional marking, which relates to the logo, the lot trace code information, or the environmental category on the device.

(5) Multiple Device Markings will be inside parentheses. Only one Device Marking contained in parentheses and separated by a "~" will appear on a device. If a line is indented then it is a continuation of the previous line and the two combined represent the entire Device Marking for that device.

(6) Lead finish/Ball material - Orderable Devices may have multiple material finish options. Finish options are separated by a vertical ruled line. Lead finish/Ball material values may wrap to two lines if the finish value exceeds the maximum column width.

**Important Information and Disclaimer:**The information provided on this page represents TI's knowledge and belief as of the date that it is provided. TI bases its knowledge and belief on information provided by third parties, and makes no representation or warranty as to the accuracy of such information. Efforts are underway to better integrate information from third parties. TI has taken and continues to take reasonable steps to provide representative and accurate information but may not have conducted destructive testing or chemical analysis on incoming materials and chemicals. TI and TI suppliers consider certain information to be proprietary, and thus CAS numbers and other limited information may not be available for release.

In no event shall TI's liability arising out of such information exceed the total purchase price of the TI part(s) at issue in this document sold by TI to Customer on an annual basis.

**OTHER QUALIFIED VERSIONS OF LM25141-Q1 :**

- Catalog : [LM25141](#)

NOTE: Qualified Version Definitions:

- Catalog - TI's standard catalog product

**TAPE AND REEL INFORMATION**

**QUADRANT ASSIGNMENTS FOR PIN 1 ORIENTATION IN TAPE**


\*All dimensions are nominal

| Device          | Package Type | Package Drawing | Pins | SPQ  | Reel Diameter (mm) | Reel Width W1 (mm) | A0 (mm) | B0 (mm) | K0 (mm) | P1 (mm) | W (mm) | Pin1 Quadrant |
|-----------------|--------------|-----------------|------|------|--------------------|--------------------|---------|---------|---------|---------|--------|---------------|
| LM25141QRGERQ1  | VQFN         | RGE             | 24   | 3000 | 330.0              | 12.4               | 4.25    | 4.25    | 1.15    | 8.0     | 12.0   | Q2            |
| LM25141QRGETQ1  | VQFN         | RGE             | 24   | 250  | 180.0              | 12.4               | 4.25    | 4.25    | 1.15    | 8.0     | 12.0   | Q2            |
| LM25141QURGERQ1 | VQFN         | RGE             | 24   | 3000 | 330.0              | 12.4               | 4.3     | 4.3     | 1.1     | 8.0     | 12.0   | Q2            |

**TAPE AND REEL BOX DIMENSIONS**


\*All dimensions are nominal

| Device          | Package Type | Package Drawing | Pins | SPQ  | Length (mm) | Width (mm) | Height (mm) |
|-----------------|--------------|-----------------|------|------|-------------|------------|-------------|
| LM25141QRGERQ1  | VQFN         | RGE             | 24   | 3000 | 367.0       | 367.0      | 35.0        |
| LM25141QRGETQ1  | VQFN         | RGE             | 24   | 250  | 210.0       | 185.0      | 35.0        |
| LM25141QURGERQ1 | VQFN         | RGE             | 24   | 3000 | 367.0       | 367.0      | 38.0        |

**RGE 24**

**GENERIC PACKAGE VIEW**

**VQFN - 1 mm max height**

PLASTIC QUAD FLATPACK - NO LEAD



Images above are just a representation of the package family, actual package may vary.  
Refer to the product data sheet for package details.

4204104/H



4219013/A 05/2017

NOTES:

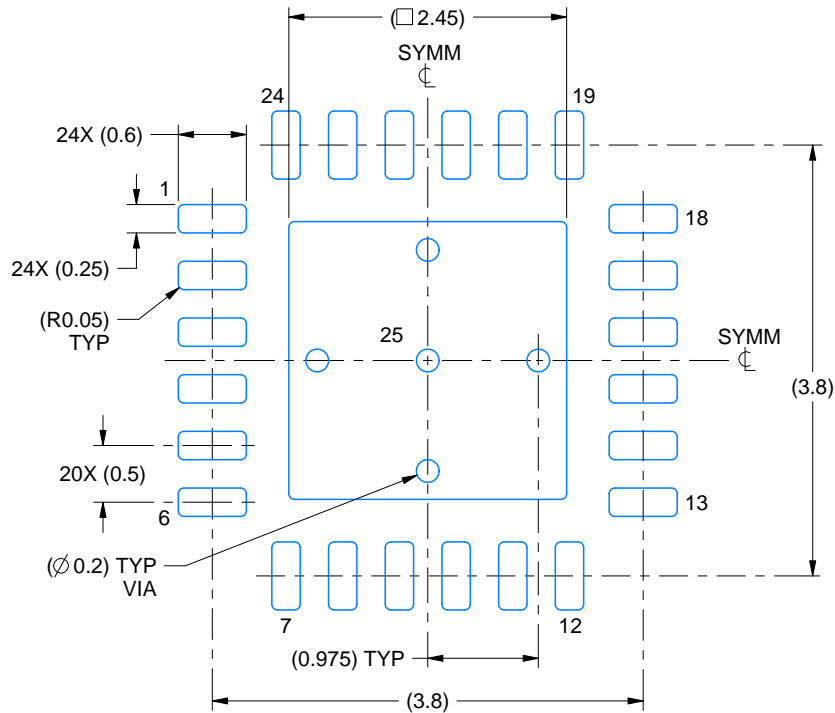
1. All linear dimensions are in millimeters. Any dimensions in parenthesis are for reference only. Dimensioning and tolerancing per ASME Y14.5M.
2. This drawing is subject to change without notice.
3. The package thermal pad must be soldered to the printed circuit board for thermal and mechanical performance.

# EXAMPLE BOARD LAYOUT

RGE0024B

VQFN - 1 mm max height

PLASTIC QUAD FLATPACK - NO LEAD



LAND PATTERN EXAMPLE  
EXPOSED METAL SHOWN  
SCALE:15X



SOLDER MASK DETAILS

4219013/A 05/2017

NOTES: (continued)

4. This package is designed to be soldered to a thermal pad on the board. For more information, see Texas Instruments literature number SLUA271 ([www.ti.com/lit/sluea271](http://www.ti.com/lit/sluea271)).
5. Vias are optional depending on application, refer to device data sheet. If any vias are implemented, refer to their locations shown on this view. It is recommended that vias under paste be filled, plugged or tented.

# EXAMPLE STENCIL DESIGN

RGE0024B

VQFN - 1 mm max height

PLASTIC QUAD FLATPACK - NO LEAD



SOLDER PASTE EXAMPLE  
BASED ON 0.125 mm THICK STENCIL

EXPOSED PAD 25  
78% PRINTED SOLDER COVERAGE BY AREA UNDER PACKAGE  
SCALE:20X

4219013/A 05/2017

NOTES: (continued)

6. Laser cutting apertures with trapezoidal walls and rounded corners may offer better paste release. IPC-7525 may have alternate design recommendations.



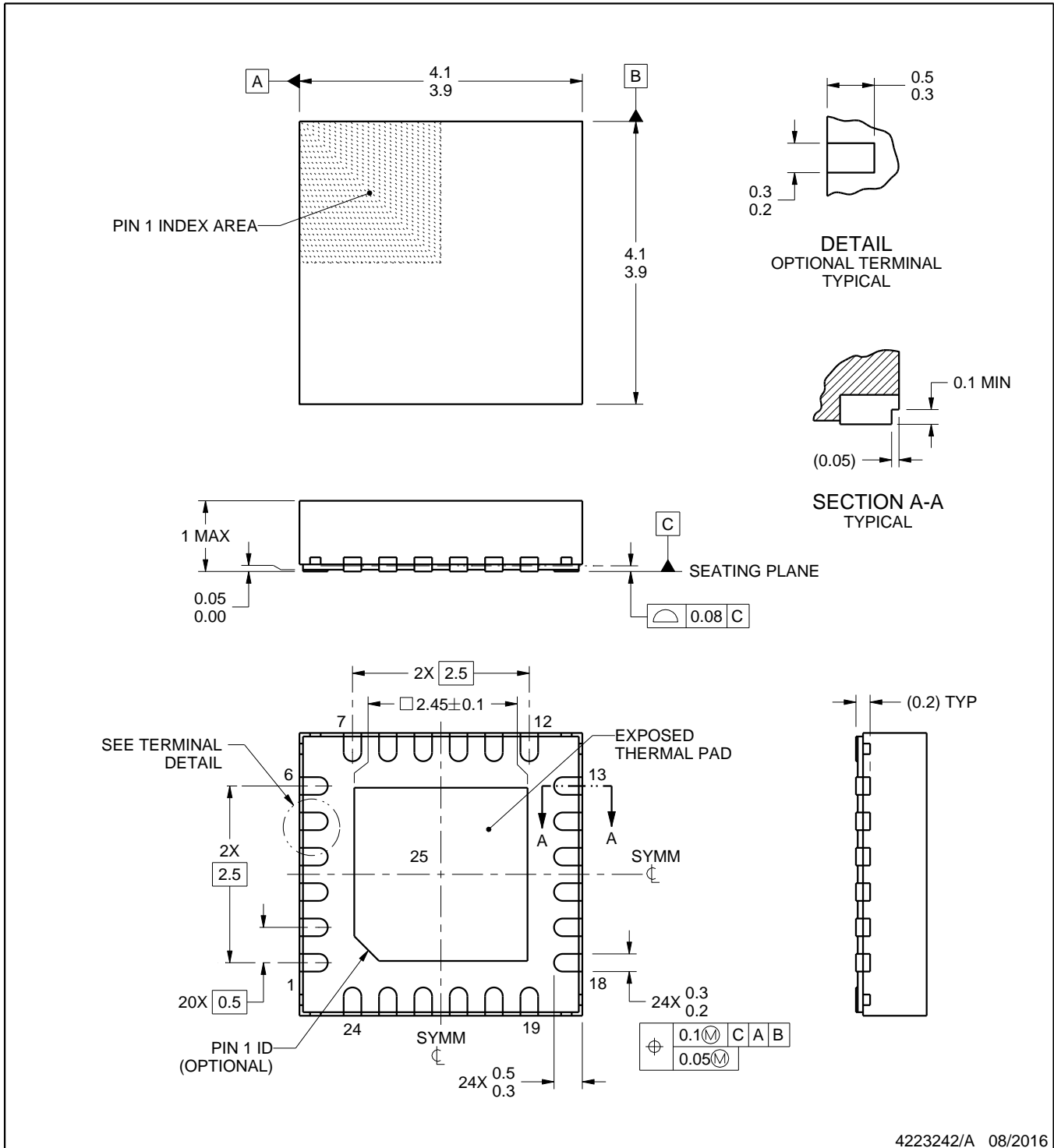
# RGE0024J



# PACKAGE OUTLINE

## VQFN - 1 mm max height

PLASTIC QUAD FLATPACK - NO LEAD



### NOTES:

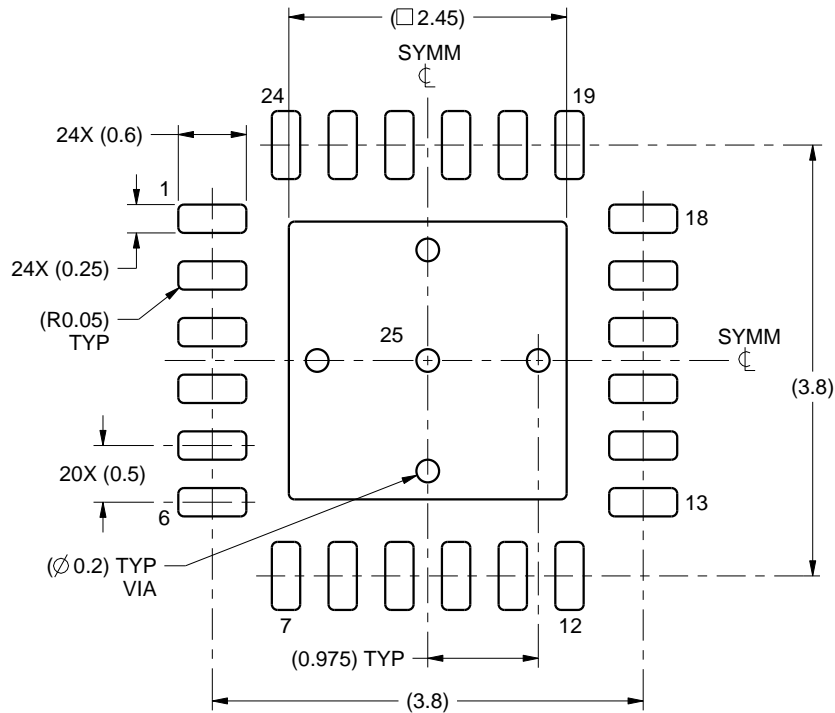
1. All linear dimensions are in millimeters. Any dimensions in parenthesis are for reference only. Dimensioning and tolerancing per ASME Y14.5M.
2. This drawing is subject to change without notice.
3. The package thermal pad must be soldered to the printed circuit board for thermal and mechanical performance.

# EXAMPLE BOARD LAYOUT

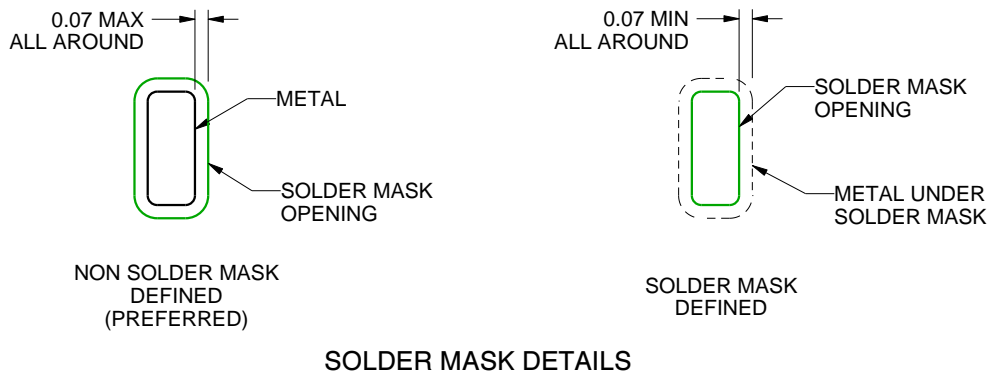
RGE0024J

VQFN - 1 mm max height

PLASTIC QUAD FLATPACK - NO LEAD



LAND PATTERN EXAMPLE  
SCALE:15X



4223242/A 08/2016

NOTES: (continued)

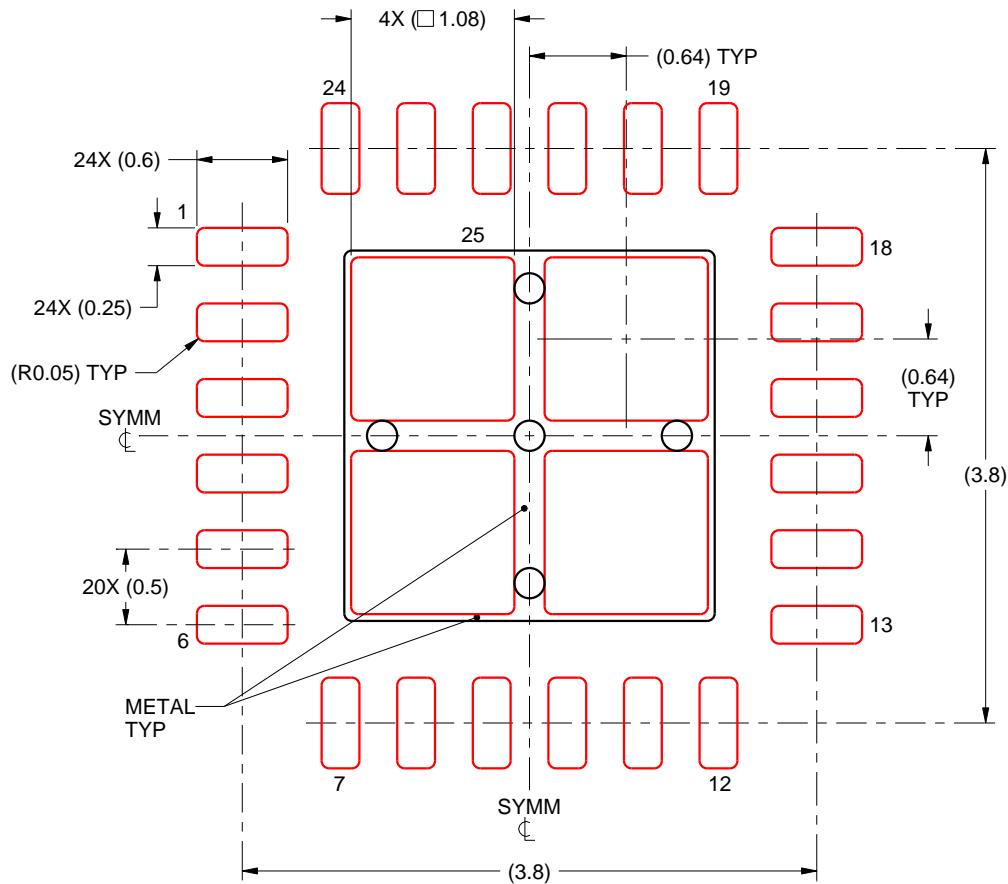
4. This package is designed to be soldered to a thermal pad on the board. For more information, see Texas Instruments literature number SLUA271 ([www.ti.com/lit/slua271](http://www.ti.com/lit/slua271)).
5. Vias are optional depending on application, refer to device data sheet. If any vias are implemented, refer to their locations shown on this view. It is recommended that vias under paste be filled, plugged or tented.

# EXAMPLE STENCIL DESIGN

RGE0024J

VQFN - 1 mm max height

PLASTIC QUAD FLATPACK - NO LEAD



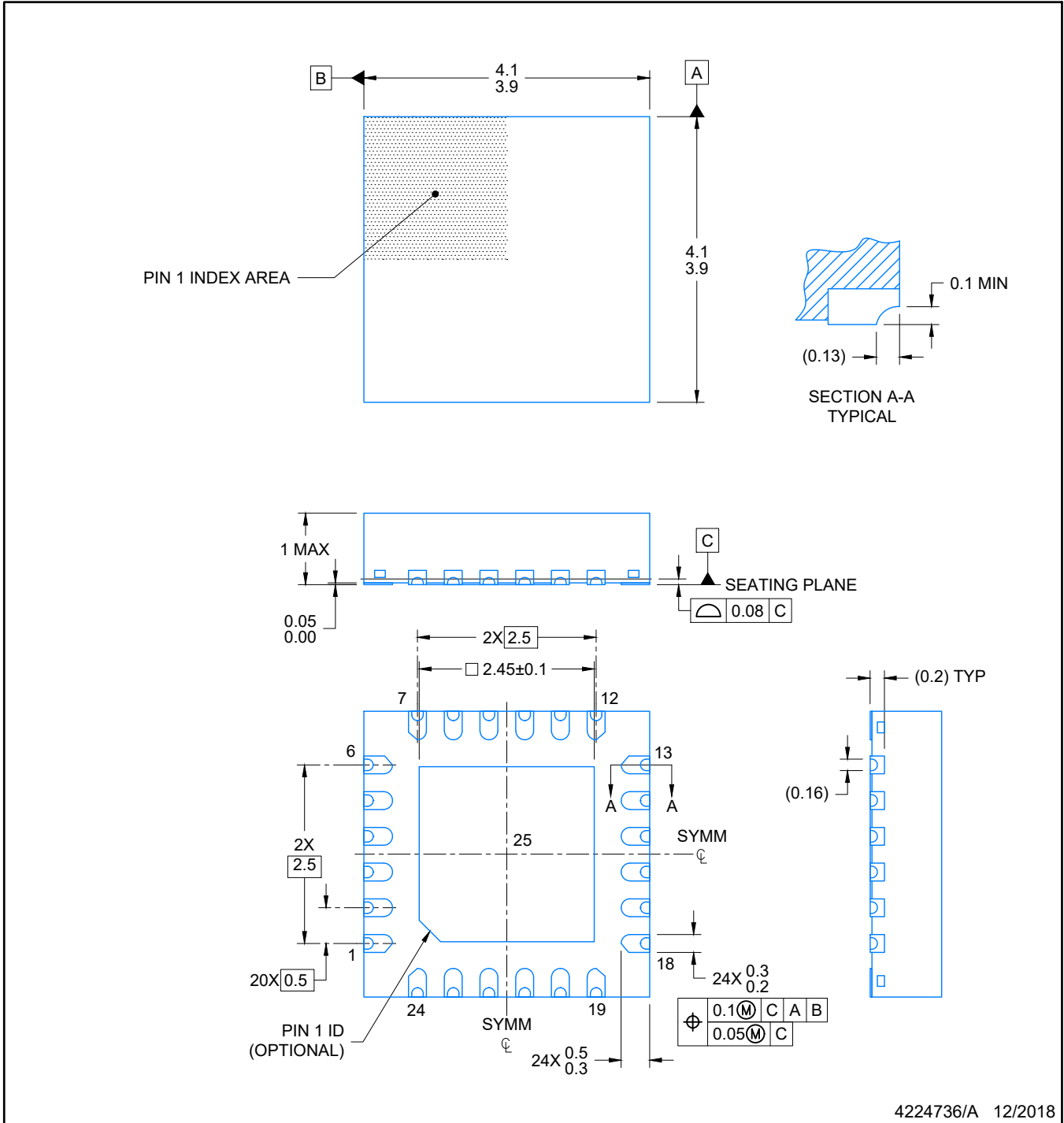
SOLDER PASTE EXAMPLE  
BASED ON 0.125 mm THICK STENCIL

EXPOSED PAD 25  
78% PRINTED SOLDER COVERAGE BY AREA UNDER PACKAGE  
SCALE:20X

4223242/A 08/2016

NOTES: (continued)

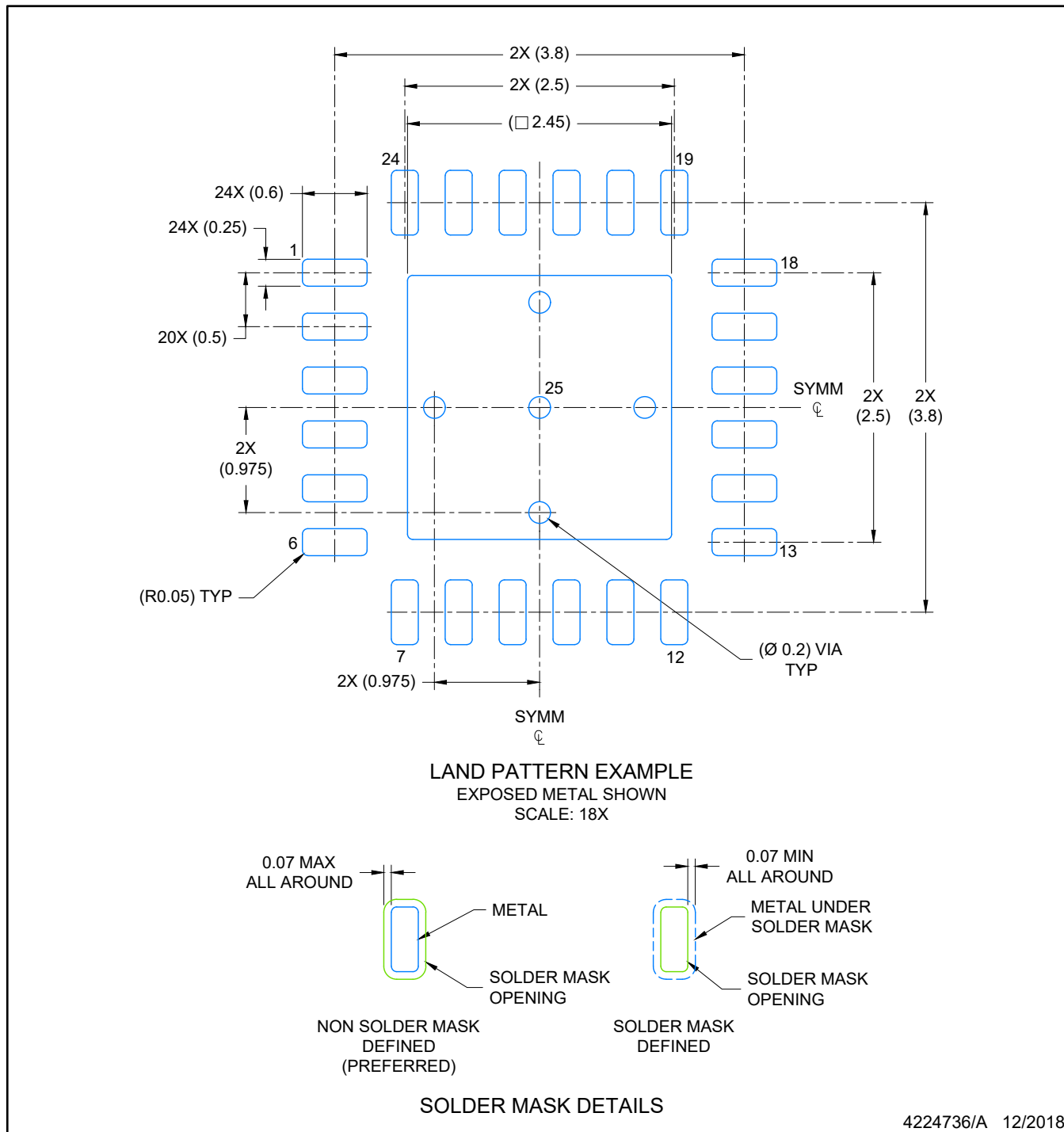
6. Laser cutting apertures with trapezoidal walls and rounded corners may offer better paste release. IPC-7525 may have alternate design recommendations.



4224736/A 12/2018

NOTES:

1. All linear dimensions are in millimeters. Any dimensions in parenthesis are for reference only. Dimensioning and tolerancing per ASME Y14.5M.
2. This drawing is subject to change without notice.
3. The package thermal pad must be soldered to the printed circuit board for optimal thermal and mechanical performance.



NOTES: (continued)

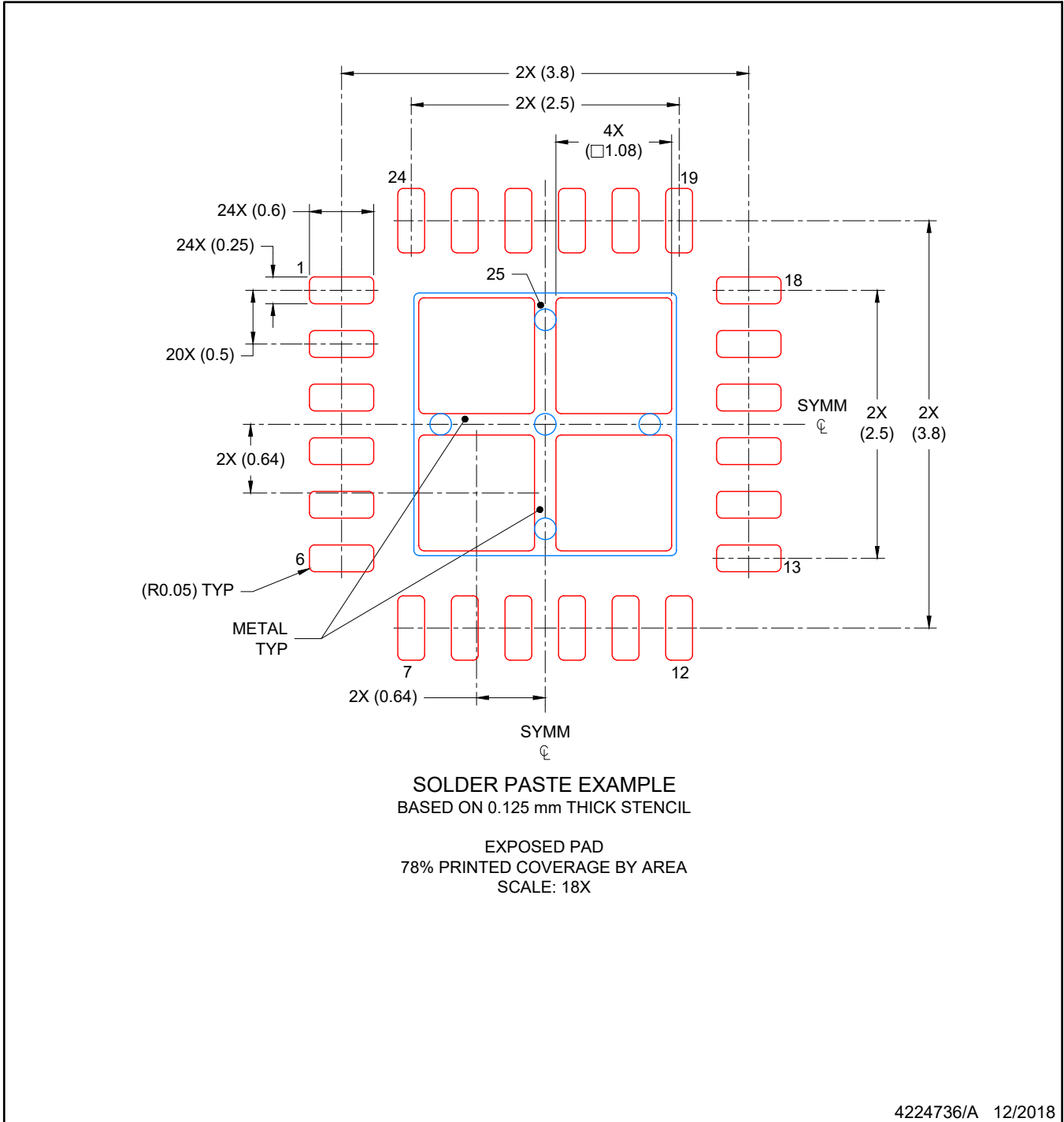
4. This package is designed to be soldered to a thermal pad on the board. For more information, see Texas Instruments literature number SLUA271 ([www.ti.com/lit/sluea271](http://www.ti.com/lit/sluea271)).
5. Vias are optional depending on application, refer to device data sheet. If any vias are implemented, refer to their locations shown on this view. It is recommended that vias under paste be filled, plugged or tented.

# EXAMPLE STENCIL DESIGN

RGE0024N

VQFN - 1 mm max height

PLASTIC QUAD FLATPACK-NO LEAD



NOTES: (continued)

6. Laser cutting apertures with trapezoidal walls and rounded corners may offer better paste release. IPC-7525 may have alternate design recommendations.

## 重要声明和免责声明

TI“按原样”提供技术和可靠性数据（包括数据表）、设计资源（包括参考设计）、应用或其他设计建议、网络工具、安全信息和其他资源，不保证没有瑕疵且不做任何明示或暗示的担保，包括但不限于对适销性、某特定用途方面的适用性或不侵犯任何第三方知识产权的暗示担保。

这些资源可供使用 TI 产品进行设计的熟练开发人员使用。您将自行承担以下全部责任：(1) 针对您的应用选择合适的 TI 产品，(2) 设计、验证并测试您的应用，(3) 确保您的应用满足相应标准以及任何其他功能安全、信息安全、监管或其他要求。

这些资源如有变更，恕不另行通知。TI 授权您仅可将这些资源用于研发本资源所述的 TI 产品的应用。严禁对这些资源进行其他复制或展示。您无权使用任何其他 TI 知识产权或任何第三方知识产权。您应全额赔偿因在这些资源的使用中对 TI 及其代表造成的任何索赔、损害、成本、损失和债务，TI 对此概不负责。

TI 提供的产品受 [TI 的销售条款](#) 或 [ti.com](#) 上其他适用条款/TI 产品随附的其他适用条款的约束。TI 提供这些资源并不会扩展或以其他方式更改 TI 针对 TI 产品发布的适用的担保或担保免责声明。

TI 反对并拒绝您可能提出的任何其他或不同的条款。

邮寄地址：Texas Instruments, Post Office Box 655303, Dallas, Texas 75265

Copyright © 2022，德州仪器 (TI) 公司