

TLIN1024-Q1 具有显性状态超时功能的汽车类四路本地互连网络 (LIN) 收发器

1 特性

- 符合面向汽车应用的 AEC Q100 标准
 - 温度：-40°C 至 125°C (环境温度)
 - HBM 分类等级：±8kV
 - CDM 分类等级：±1.5kV
- 符合 LIN2.0、LIN2.1、LIN2.2、LIN2.2A 和 ISO/DIS 17987 - 4.2 标准 (请参阅 [SLLA492](#))
- 符合适用于 LIN 的 SAE J2602 推荐实践的要求 (请参阅 [SLLA492](#))
- 支持 12V 电池应用
- LIN 数据传输速率高达 20kbps
- 宽工作范围
 - 4V 至 36V 的电源电压
 - ±45V LIN 总线故障保护
 - 睡眠模式：超低电流消耗
 - 支持以下类型的唤醒事件：
 - LIN 总线
 - 通过 EN 引脚进行的本地唤醒
 - 上电和断电无干扰运行
- 保护特性：
 - V_{SUP} 欠压保护
 - TXD 显性超时 (DTO) 保护
 - 热关断保护
 - 系统级未供电节点或接地断开失效防护。
- 3.5mm × 5.5mm QFN 封装，提高了自动光学检测 (AOI) 能力

2 应用

- 车身电子装置和照明
- 信息娱乐系统与仪表组
- 混合动力电动汽车和动力总成系统
- 被动安全

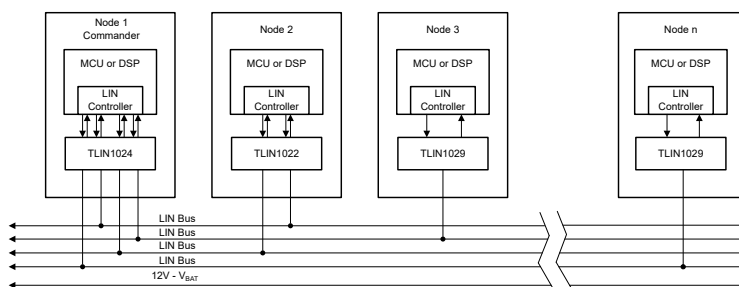
3 说明

TLIN1024-Q1 器件是一款四路本地互连网络 (LIN) 物理层收发器，集成了唤醒和保护功能、符合 LIN2.0、LIN2.1、LIN2.2、LIN2.2A 和 ISO/DIS 17987 - 4.2 标准。LIN 是一根单线制双向总线，通常用于低速车载网络，数据传输速率高达 20kbps。LIN 接收器支持数据传输速率高达 100kbps 的内联编程应用。TLIN1024-Q1 具有两个独立的双路 LIN 收发器模块。V_{SUP1/2} 可控制独立的双路收发器模块。TLIN1024-Q1 通过使用可降低电磁发射 (EME) 的限流波形整形驱动器，将 TXD 输入上的 LIN 协议数据流转换为 LIN 总线信号。接收器将数据流转化为逻辑电平信号，此信号通过开漏 RXD 引脚发送到微处理器。睡眠模式可实现超低电流消耗，该模式允许通过 LIN 总线或 EN 引脚实现唤醒。集成电阻器、静电放电 (ESD) 保护和故障保护功能有助于设计人员在其应用中节省布板空间。

封装信息

器件型号	封装 ⁽¹⁾	封装尺寸 (标称值)
TLIN1024-Q1	VQFN (24)	3.50mm × 5.50mm

(1) 如需了解所有可用封装，请参阅数据表末尾的可订购产品附录。



简化版原理图



Table of Contents

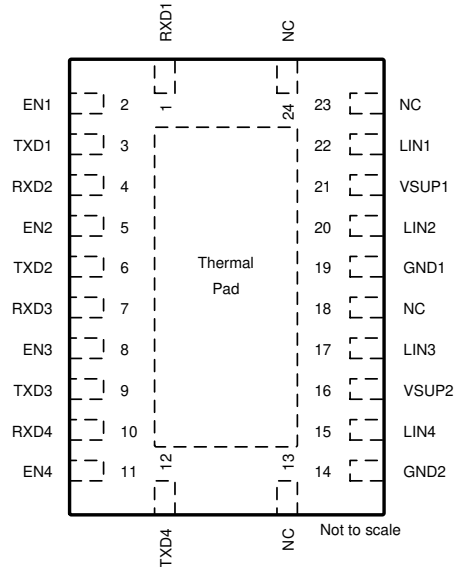
1 特性.....	1	7.3 Feature Description.....	21
2 应用.....	1	7.4 Device Functional Modes.....	25
3 说明.....	1	8 Application and Implementation.....	27
4 Revision History.....	2	8.1 Application Information.....	27
5 Pin Configuration and Functions.....	3	8.2 Typical Application.....	27
6 Specifications.....	4	8.3 Power Supply Recommendations.....	29
6.1 Absolute Maximum Ratings.....	4	8.4 Layout.....	29
6.2 ESD Ratings.....	4	9 Device and Documentation Support.....	31
6.3 ESD Ratings - IEC.....	4	9.1 Documentation Support.....	31
6.4 Thermal Information.....	4	9.2 接收文档更新通知.....	31
6.5 Recommended Operating Conditions.....	5	9.3 支持资源.....	31
6.6 Electrical Characteristics.....	5	9.4 Trademarks.....	31
6.7 Switching Characteristics ⁽²⁾	7	9.5 Electrostatic Discharge Caution.....	32
6.8 Timing Requirements.....	7	9.6 术语表.....	32
7 Detailed Description.....	20	10 Mechanical, Packaging, and Orderable Information.....	33
7.1 Overview.....	20		
7.2 Functional Block Diagram.....	21		

4 Revision History

注：以前版本的页码可能与当前版本的页码不同

Changes from Revision C (May 2020) to Revision D (June 2022)	Page
• 将提到的所有旧术语实例更改为“指挥官”和“响应者”。.....	1
• Changed D2 _{12V} test parameter from TH _{REC(MAX)} to TH _{REC(MIN)}	7
Changes from Revision B (December 2019) to Revision C (May 2020)	Page
• 添加了 (请参阅 SLLA492) 至特性列表.....	1
• Added : See errata TLIN1024-Q1 Duty Cycle Over V _{SUP}	7
Changes from Revision A (May 2018) to Revision B (December 2019)	Page
• 将特性从 HBM 分类等级 : ±6kV 更改为 HBM 分类等级 : ±8kV.....	1
• Changed the V _{LOGIC} MAX value From: 5.5 V To: 6 V in the Absolute Maximum Ratings.....	4
• Deleted J2962-1 ESD and ISO Pulses from ESD Ratings.....	4
• Changed the HBM value from ±6000 to ±8000 in the ESD Ratings.....	4
• Changed IEC 61000-4-2 to IEC 62228-2 and made three rows, two for contact and added indirect ESD.....	4
• Changed I _{CC} to I _{SUP}	5
• Changed the Supply Current 4 V Sleep Mode TYP values From: 20 μA To: 7 μA and the MAX value From: 40 μA To: 20 μA.....	5
• Changed the Supply Current 14 V Sleep Mode MAX value From: 60 μA To: 30 μA.....	5
• Changed the C _{LINPIN} MAX value From: 45 pF To: 25 pF.....	5
• Added TEST CONDITION: VSUP = 14 V to C _{LINPIN}	5
• Changed From ±42 V To: ±45 V in Overview Section.....	20
• Cleaned up wording in Overview section second paragraph.....	20
Changes from Revision * (April 2018) to Revision A (June 2019)	Page
• Changed R _{RESPONDER} Typical value from 30 kΩ to 45 kΩ in the Electrical Characteristics.....	5

5 Pin Configuration and Functions



**图 5-1. RGY Package, 24-Pin RGY (VQFN)
(Top View)**

表 5-1. Pin Functions

PIN		TYPE ⁽¹⁾	DESCRIPTION
NAME	NO.		
RXD1	1	O	Channel 1 RXD Output (open-drain) interface reporting state of LIN bus voltage
EN1	2	I	Channel 1 Enable Input
TXD1	3	I	Channel 1 TXD input interface to control state of LIN output
RXD2	4	O	Channel 2 RXD Output (open-drain) interface reporting state of LIN bus voltage
EN2	5	I	Channel 2 Enable Input
TXD2	6	I	Channel 2 TXD input interface to control state of LIN output
RXD3	7	O	Channel 3 RXD Output (open-drain) interface reporting state of LIN bus voltage
EN3	8	I	Channel 3 Enable Input
TXD3	9	I	Channel 3 TXD input interface to control state of LIN output
RXD4	10	O	Channel 4 RXD Output (open-drain) interface reporting state of LIN bus voltage
EN4	11	I	Channel 4 Enable Input
TXD4	12	I	Channel 4 TXD input interface to control state of LIN output
GND2	14	G	Ground pin for Channels 3 and 4
LIN4	15	I/O	Channel 4 LIN Bus single-wire transmitter and receiver
V _{SUP2}	16	Supply	Channels 3 and 4 Supply Voltage (connected to battery in series with external reverse blocking diode)
LIN3	17	I/O	Channel 3 LIN Bus single-wire transmitter and receiver
GND1	19	G	Ground pin for Channels 1 and 2
LIN2	20	I/O	Channel 2 LIN Bus single-wire transmitter and receiver
V _{SUP1}	21	Supply	Channels 1 and 2 Supply Voltage (connected to battery in series with external reverse blocking diode)
LIN1	22	I/O	Channel 1 LIN Bus single-wire transmitter and receiver
NC	13, 18, 23, 24	-	Not Connected

(1) I = Input, O = Output, I/O = Input or Output, G = Ground.

6 Specifications

6.1 Absolute Maximum Ratings

over operating free-air temperature range (unless otherwise noted)⁽¹⁾

Symbol	Parameter	MIN	MAX	UNIT
V _{SUP1/2}	Supply voltage range (ISO/DIS 17987 Param 10)	- 0.3	45	V
V _{LIN}	LIN Bus input voltage (ISO/DIS 17987 Param 82)	- 45	45	V
V _{LOGIC}	Logic Pin Voltage (RXDx, TXDx, ENx)	- 0.3	6	V
T _A	Ambient temperature range	- 40	125	°C
T _J	Junction temperature range	- 55	150	°C
T _{stg}	Storage temperature range	- 65	150	°C

- (1) Stresses beyond those listed under Absolute Maximum Ratings may cause permanent damage to the device. These are stress ratings only, which do not imply functional operation of the device at these or any other conditions beyond those indicated under Recommended Operating Conditions. Exposure to absolute-maximum-rated conditions for extended periods may affect device reliability.

6.2 ESD Ratings

ESD Ratings				VALUE	UNIT
V _(ESD)	Electrostatic discharge	Human body model (HBM) RXD, EN Pins, per AEC Q100-002 ⁽¹⁾		±4000	V
		Human body model (HBM) LIN and V _{SUP} , per AEC Q100-002 ⁽²⁾		±8000	
		Charged device model (CDM), per AEC Q100-011	All terminals	±1500	

- (1) JEDEC document JEP155 states that 500-V HBM allows safe manufacturing with a standard ESD control process.
 (2) LIN bus is stressed with respect to GND.

6.3 ESD Ratings - IEC

ESD and Surge Protection Ratings			VALUE	UNIT
V _(ESD)	Electrostatic discharge, LIN and V _{SUP} to GND, per IEC 62228-2	Contact discharge, without LIN bus filter capacitor ⁽¹⁾	±5000	V
		Contact discharge, with LIN bus filter capacitor ⁽¹⁾	±9000	V
		Indirect ESD ⁽¹⁾	±15000	V

- (1) IEC 62228-2 ESD test performed by a third party. Different system level configurations may lead to different results

6.4 Thermal Information

THERMAL METRIC ⁽¹⁾		RGY (VQFN)	UNIT
		24-PINS	
R _{θJA}	Junction-to-ambient thermal resistance	34.3	°C/W
R _{θJC(top)}	Junction-to-case (top) thermal resistance	30.8	°C/W
R _{θJB}	Junction-to-board thermal resistance	13.3	°C/W
Ψ _{JT}	Junction-to-top characterization parameter	0.5	°C/W
Ψ _{JB}	Junction-to-board characterization parameter	13.3	°C/W
R _{θJC(bot)}	Junction-to-case (bottom) thermal resistance	2.8	°C/W

- (1) For more information about traditional and new thermal metrics, see the [Semiconductor and IC package thermal metrics](#) application report.

6.5 Recommended Operating Conditions

over operating free-air temperature range (unless otherwise noted)

PARAMETER - DEFINITION		MIN	NOM	MAX	UNIT
V _{SUP1/2}	Supply voltage	4		36	V
V _{LINx}	LINx Bus input voltage	0		36	V
V _{LOGIC}	Logic Pin Voltage (RXDx, TXDx, ENx)	0		5.5	V
TSD	Thermal shutdown edge	165			°C
TSD _(HYS)	Thermal shutdown hysteresis		15		°C

6.6 Electrical Characteristics

over operating free-air temperature range (unless otherwise noted)

PARAMETER	TEST CONDITIONS	MIN	TYP	MAX	UNIT
Power Supply					
V _{SUP}	Operational supply voltage (ISO/DIS 17987 Param 10)	Device is operational beyond the LIN defined nominal supply voltage range See 图 7-1 and 图 7-2	4		36 V
V _{SUP}	Nominal supply voltage (ISO/DIS 17987 Param 10): Normal Mode: Ramp VSUP while LIN signal is a 10 kHz Square Wave with 50 % duty cycle and 18V swing. See 图 7-1 and 图 7-2 . Sleep Mode	Normal and Standby Modes Normal Mode: Ramp VSUP while LIN signal is a 10 kHz Square Wave with 50 % duty cycle and 18V swing. See 图 7-1 and 图 7-2	4		36 V
		Sleep Mode	4		36 V
UV _{SUP}	Under voltage VSUP threshold		2.9		3.85 V
UV _{HYS}	Delta hysteresis voltage for VSUP under voltage threshold		0.2		V
I _{SUP}	Supply Current ⁽¹⁾	Normal Mode: EN = High, bus dominant: total bus load where R _{LIN} > 500 Ω and C _{LIN} < 10 nF (See 图 7-7)		3	15 mA
		Standby Mode: EN = Low, bus dominant: total bus load where R _{LIN} > 500 Ω and C _{LIN} < 10 nF (See 图 7-7)		2.2	8 mA
I _{SUP}	Supply Current ⁽¹⁾	Normal Mode: EN = High, Bus Recessive: LIN = V _{SUP} ,		1	2 mA
		Standby Mode: EN = Low, Bus Recessive: LIN = V _{SUP} ,		40	80 μA
		Sleep Mode: 4.0 V < V _{SUP} < 14 V, LIN = V _{SUP} , EN = 0 V, TXD and RXD Floating		7	20 μA
		Sleep Mode: 14 V < V _{SUP} < 36 V, LIN = V _{SUP} , EN = 0 V, TXD and RXD Floating			30 μA
RXD OUTPUT PIN (OPEN DRAIN)					
V _{OL}	Output Low voltage	Based upon External pull up to V _{CC}			0.6 V
I _{OL}	Low level output current, open drain	LIN = 0 V, RXD = 0.4 V	1.5		mA
I _{ILG}	Leakage current, high-level	LIN = V _{SUP} , RXD = 5 V	- 5	0	5 μA
TXD INPUT PIN					
V _{IL}	Low level input voltage		- 0.3		0.8 V
V _{IH}	High level input voltage		2		5.5 V
V _{IT}	Input threshold voltage, normal modes& selective wake modes		30		500 mV
I _{ILG}	Low level input leakage current	TXD = Low	- 5	0	5 μA

6.6 Electrical Characteristics (continued)

over operating free-air temperature range (unless otherwise noted)

PARAMETER		TEST CONDITIONS	MIN	TYP	MAX	UNIT
R _{TXD}	Internal pulldown resistor value		125	350	800	k Ω
EN INPUT PIN						
V _{IL}	Low level input voltage		-0.3		0.8	V
V _{IH}	High level input voltage		2		5.5	V
V _{IT}	Hysteresis voltage	By design and characterization	30		500	V
I _{ILG}	Low level input current	EN = Low	-5	0	5	μ A
R _{EN}	Internal Pulldown resistor		125	350	800	k Ω
LIN PIN						
V _{OH}	High level output voltage	LIN recessive, TXD = high, I _O = 0 mA, V _{SUP} = 7 V to 36 V	0.85			V _{SUP}
		LIN recessive, TXD = high, I _O = 0 mA, 4 V \leq V _{SUP} < 7 V	3.0			V
V _{OL}	Low level output voltage	LIN dominant, TXD = low, V _{SUP} = 7 V to 36 V			0.2	V _{SUP}
		LIN dominant, TXD = low, 4 V \leq V _{SUP} < 7 V			1.2	V
V _{SUP_NON_OP}	V _{SUP} where Impact of recessive LIN Bus < 5% (ISO/DIS 17987 Param 11)	TXD& RXD open LIN = 4 V to 45 V	-0.3		36	V
I _{BUS_LIM}	Limiting current (ISO/DIS 17987 Param 12)	TXD = 0 V, V _{LIN} = 18 V, R _{MEAS} = 440 Ω , V _{SUP} = 18 V, V _{BUSdom} < 4.518 V See 图 7-6	40	90	200	mA
I _{BUS_PAS_dom}	Receiver leakage current, dominant (ISO/DIS 17987 Param 13)	LIN = 0 V, V _{SUP} = 18 V Driver off/ recessive See 图 7-7	-1			mA
I _{BUS_PAS_rec}	Receiver leakage current, recessive (ISO/DIS 17987 Param 14)	LIN > V _{SUP} , 4 V < V _{SUP} < 36 V Driver off; See 图 7-8			20	μ A
I _{BUS_NO_GND}	Leakage current, loss of ground (ISO/DIS 17987 Param 15)	GND = V _{SUP} , 0 V \leq V _{LIN} \leq 18 V, V _{SUP} = 12 V; See 图 7-9	-1		1	mA
I _{BUS_NO_BAT}	Leakage current, loss of supply (ISO/DIS 17987 Param 16)	LIN = 36 V, V _{SUP} = GND; See 图 7-10			5	μ A
V _{BUSdom}	Low level input voltage (ISO/DIS 17987 Param 17)	LIN dominant (including LIN dominant for wake up) See 图 7-4 and 图 7-3			0.4	V _{SUP}
V _{BUSrec}	High level input voltage (ISO/DIS 17987 Param 18)	Lin recessive See 图 7-4 and 图 7-3	0.6			V _{SUP}
V _{BUS_CNT}	Receiver center threshold (ISO/DIS 17987 Param 19)	V _{BUS_CNT} = (V _{IL} + V _{IH})/2 See 图 7-4 and 图 7-3	0.475	0.5	0.525	V _{SUP}
V _{HYS}	Hysteresis voltage (ISO/DIS 17987 Param 20)	V _{HYS} = (V _{IL} - V _{IH}) See 图 7-4 and 图 7-3	0.05		0.175	V _{SUP}
V _{SERIAL_DIODE}	Serial diode LIN term pullup path (ISO/DIS 17987 Param 21)	By design and characterization	0.4	0.7	1	V
R _{RESPONDER}	Pullup resistor to V _{SUP} (ISO/DIS 17987 Param 26)	Normal and Standby modes	20	45	60	k Ω
I _{RSLEEP}	Pullup current source to V _{SUP}	Sleep mode, V _{SUP} = 14 V, LIN = GND	-20		-2	μ A
C _{LINPIN}	Capacitance of LIN pin	V _{SUP} = 14 V			25	pF

(1) Values are for each V_{SUP} pin

6.7 Switching Characteristics⁽²⁾

over operating free-air temperature range (unless otherwise noted)

PARAMETER		TEST CONDITIONS	MIN	TYP	MAX	UNIT
D1 _{12V}	Duty Cycle 1 (ISO/DIS 17987 Param 27) ⁽¹⁾	TH _{REC(MAX)} = 0.744 x V _{SUP} , TH _{DOM(MAX)} = 0.581 x V _{SUP} , V _{SUP} = 7 V to 18 V, t _{BIT} = 50 μs (20 kbps), D1 = t _{BUS_rec(min)} / (2 x t _{BIT}) (See 图 7-11 and 图 7-12)	0.396			
D1 _{12V}	Duty Cycle 1	TH _{REC(MAX)} = 0.625 x V _{SUP} , TH _{DOM(MAX)} = 0.581 x V _{SUP} , V _{SUP} = 4 V to 7 V, t _{BIT} = 50 μs (20 kbps), D1 = t _{BUS_rec(min)} / (2 x t _{BIT}) (See 图 7-11 and 图 7-12)	0.396			
D2 _{12V}	Duty Cycle 2 (ISO/DIS 17987 Param 28)	TH _{REC(MIN)} = 0.422 x V _{SUP} , TH _{DOM(MIN)} = 0.284 x V _{SUP} , V _{SUP} = 4.6 V to 18 V, t _{BIT} = 50 μs (20 kbps), D2 = t _{BUS_rec(MAX)} / (2 x t _{BIT}) (See 图 7-11 and 图 7-12)			0.581	
D3 _{12V}	Duty Cycle 3 (ISO/DIS 17987 Param 29)	TH _{REC(MAX)} = 0.778 x V _{SUP} , TH _{DOM(MAX)} = 0.616 x V _{SUP} , V _{SUP} = 7 V to 18 V, t _{BIT} = 96 μs (10.4 kbps), D3 = t _{BUS_rec(min)} / (2 x t _{BIT}) (See 图 7-11 and 图 7-12)	0.417			
D3 _{12V}	Duty Cycle	TH _{REC(MAX)} = 0.645 x V _{SUP} , TH _{DOM(MAX)} = 0.616 x V _{SUP} , V _{SUP} = 4 V to 7 V, t _{BIT} = 96 μs (10.4 kbps), D3 = t _{BUS_rec(min)} / (2 x t _{BIT}) (See 图 7-11 and 图 7-12)	0.417			
D4 _{12V}	Duty Cycle 4 (ISO/DIS 17987 Param 30)	TH _{REC(MIN)} = 0.389 x V _{SUP} , TH _{DOM(MIN)} = 0.251 x V _{SUP} , V _{SUP} = 4.6 V to 18 V, t _{BIT} = 96 μs (10.4 kbps), D4 = t _{BUS_rec(MAX)} / (2 x t _{BIT}) (See 图 7-11 and 图 7-12)			0.59	

- (1) Duty cycles: LIN driver bus load conditions (CLINBUS, RLINBUS): Load1 = 1 nF, 1 kΩ; Load2 = 10 nF, 500 Ω. Duty cycles 3 and 4 are defined for 10.4-kbps operation. The TLIN1029 also meets these lower data rate requirements, while it is capable of the higher speed 20-kbps operation as specified by duty cycles 1 and 2. SAEJ2602 derives propagation delay equations from the LIN 2.0 duty cycle definitions, for details see the SAEJ2602 specification
- (2) See errata [TLIN1024-Q1 Duty Cycle Over V_{SUP}](#)

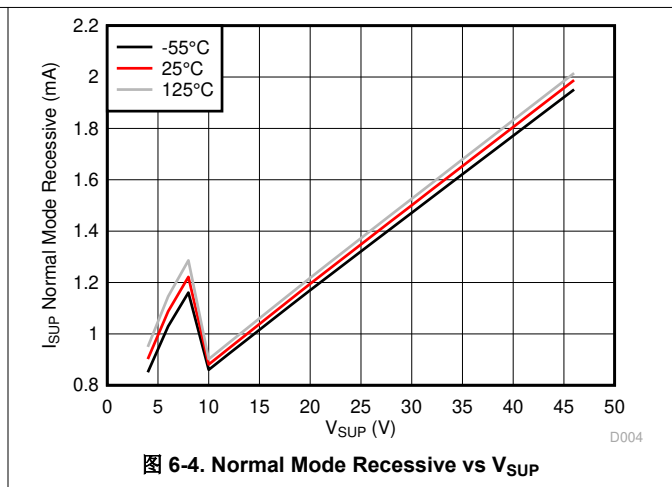
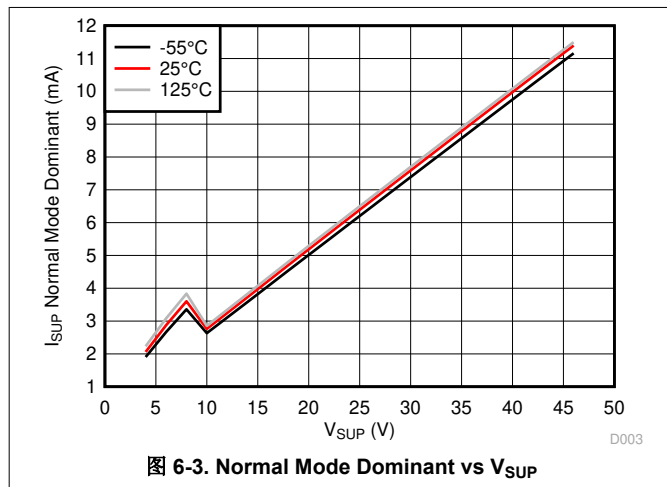
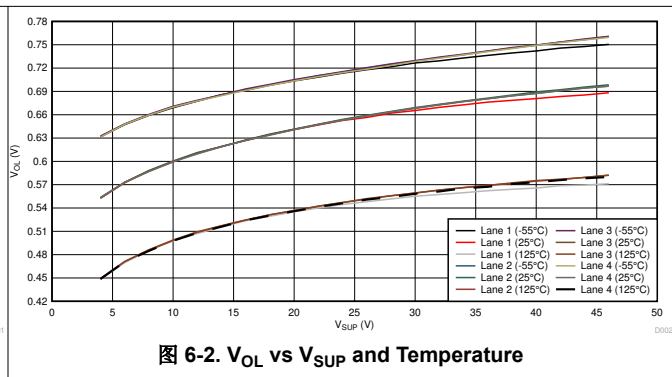
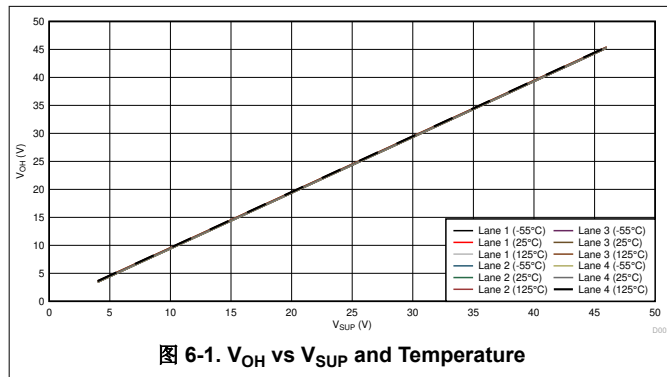
6.8 Timing Requirements

SYMBOL	DESCRIPTION	TEST CONDITIONS	MIN	NOM	MAX	UNIT
t _{rx_pdr}	Receiver rising propagation delay time (ISO/DIS 17987 Param 31)	R _{RXD} = 2.4 kΩ, C _{RXD} = 20 pF (See 图 7-13 and 图 7-14)			6	μs
t _{rx_pdf}	Receiver falling propagation delay time (ISO/DIS 17987 Param 31)				6	μs
t _{rs_sym}	Symmetry of receiver propagation delay time Receiver rising propagation delay time (ISO/DIS 17987 Param 32)	Rising edge with respect to falling edge, (tr _{x_sym} = tr _{x_pdf} - tr _{x_pdr}), R _{RXD} = 2.4 kΩ, C _{RXD} = 20 pF (See 图 7-13 and 图 7-14)	-2		2	μs
t _{LINBUS}	LIN wakeup time (Minimum dominant time on LIN bus for wakeup)	See 图 7-17 , 图 7-2 , and 图 7-3	25	100	150	μs
t _{CLEAR}	Time to clear false wakeup prevention logic if LIN bus had a bus stuck dominant fault (recessive time on LIN bus to clear bust stuck dominant fault)	See 图 7-3	8	17	50	μs
t _{DST}	Dominant state time out		20	34	80	ms

6.8 Timing Requirements (continued)

SYMBOL	DESCRIPTION	TEST CONDITIONS	MIN	NOM	MAX	UNIT
t_{MODE_CHANGE}	Mode change delay time	Time to change from standby mode to normal mode or normal mode to sleep mode through EN pin: See 图 7-15 and 图 7-4	2		15	μs
t_{NOMINT}	Normal mode initialization time	Time for normal mode to initialize and data on RXD pin to be valid See 图 7-15			35	μs
t_{PWR}	Power up time	Upon power up time it takes for valid data on RXD			1.5	ms

Typical Characteristics



Typical Characteristics

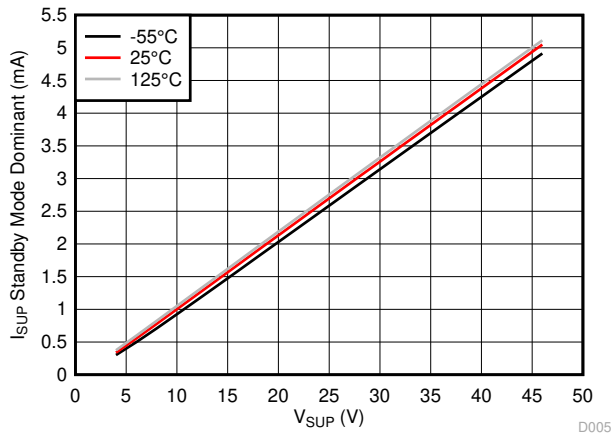


图 6-5. Standby Mode Dominant vs V_{SUP}

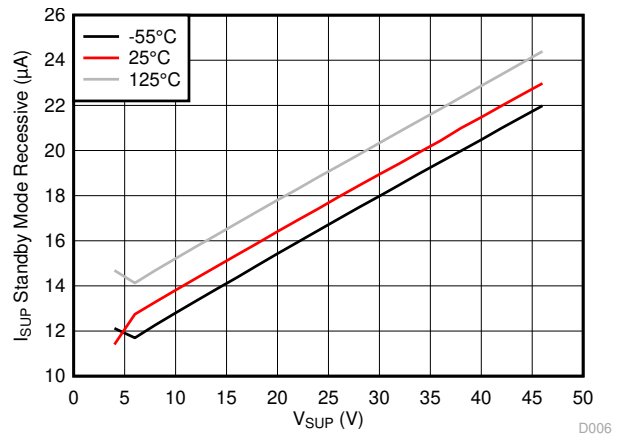


图 6-6. Standby Mode Recessive vs V_{SUP}

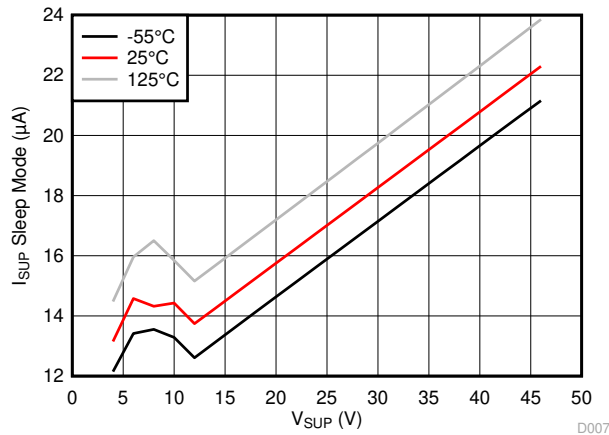


图 6-7. Sleep Mode vs V_{SUP}

Parameter Measurement Information

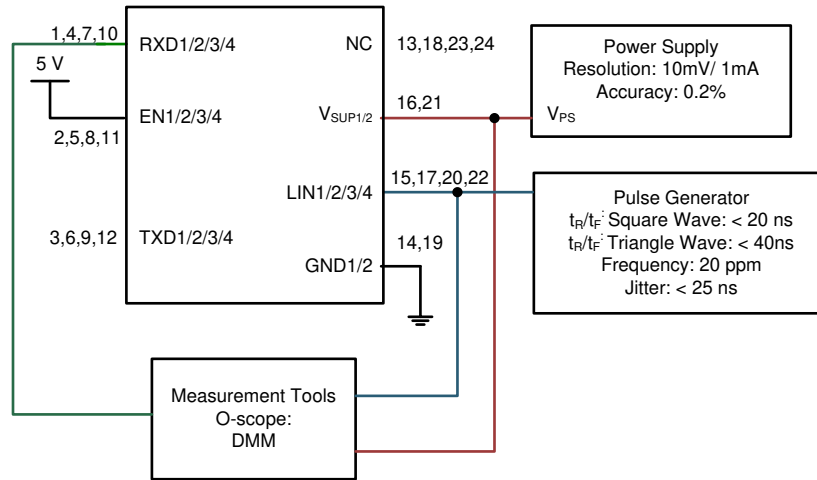


图 7-1. Test System: Operating Voltage Range with RX and TX Access

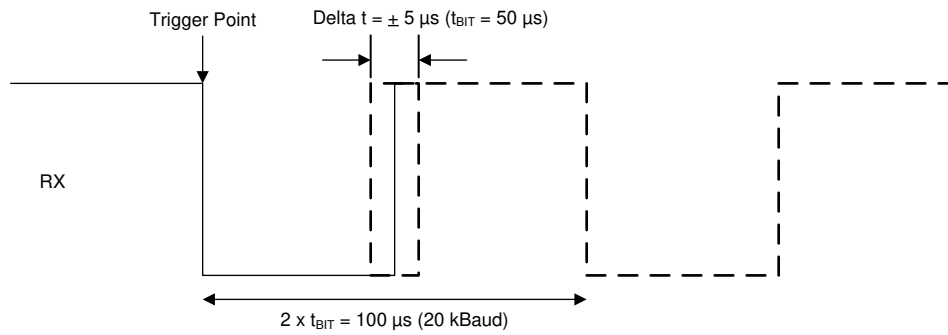


图 7-2. RX Response: Operating Voltage Range

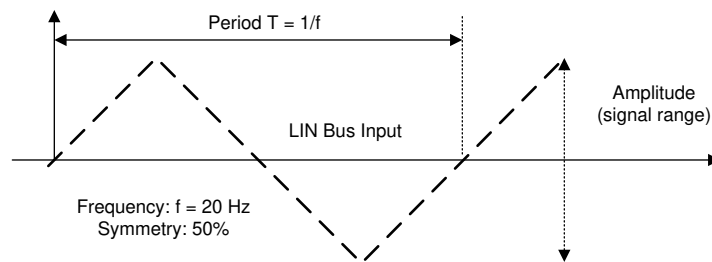


图 7-3. LIN Bus Input Signal

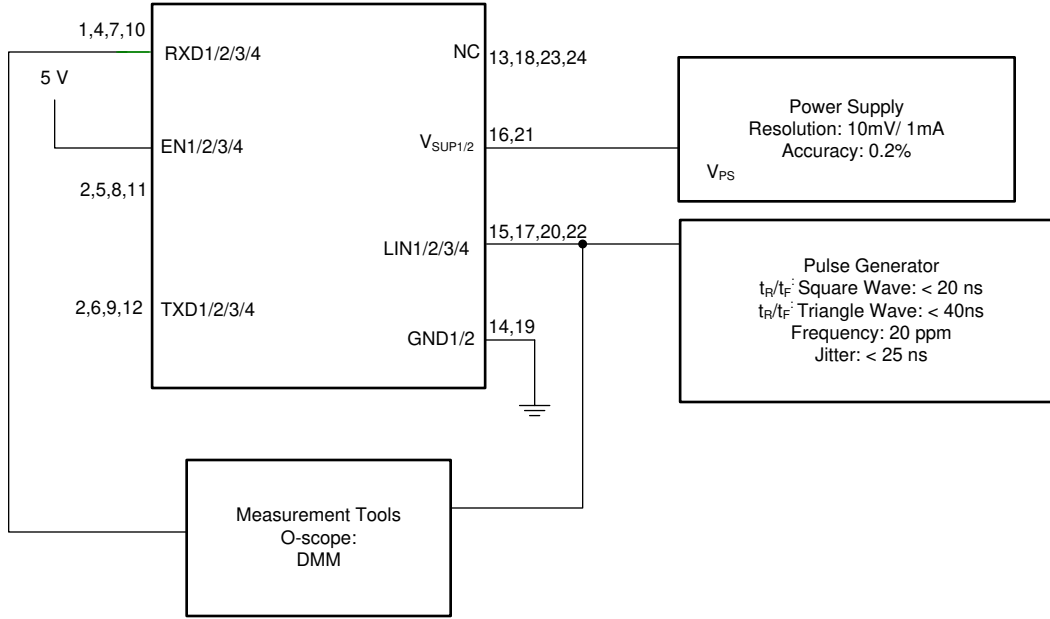


图 7-4. LIN Receiver Test with RX Access

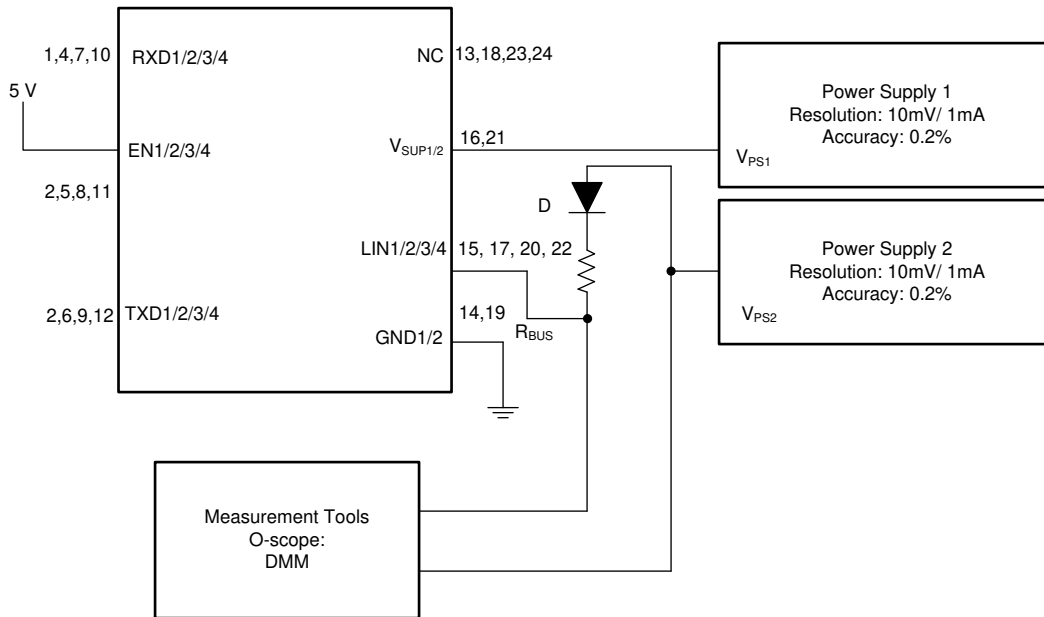


图 7-5. $V_{SUP_NON_OP}$

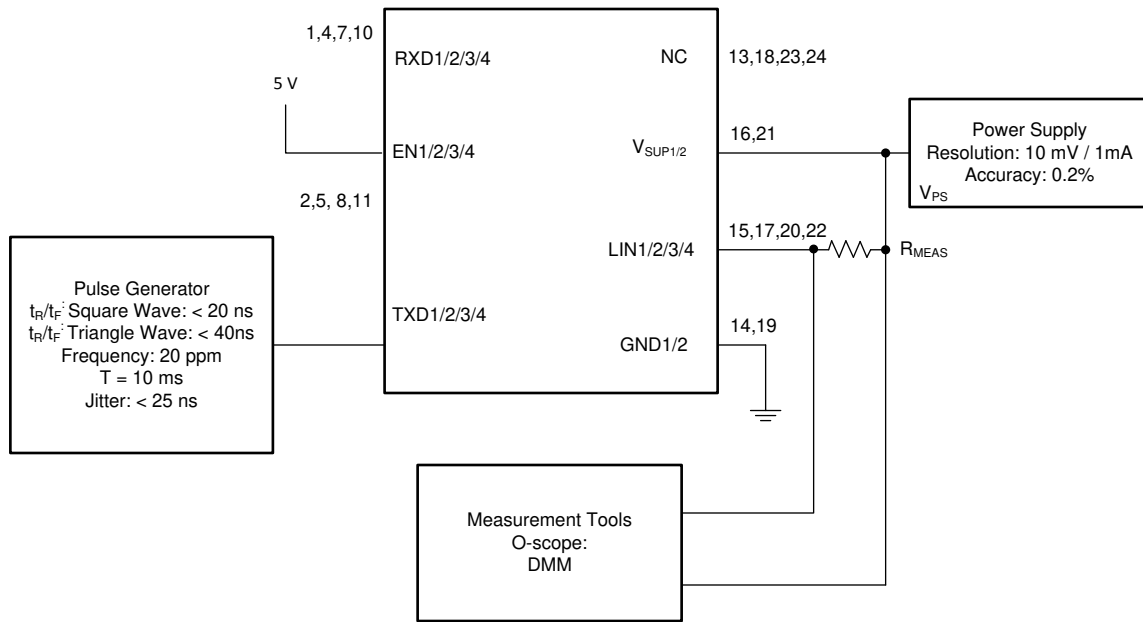


图 7-6. Test Circuit for I_{BUS_LIM} at Dominant State (Driver on)

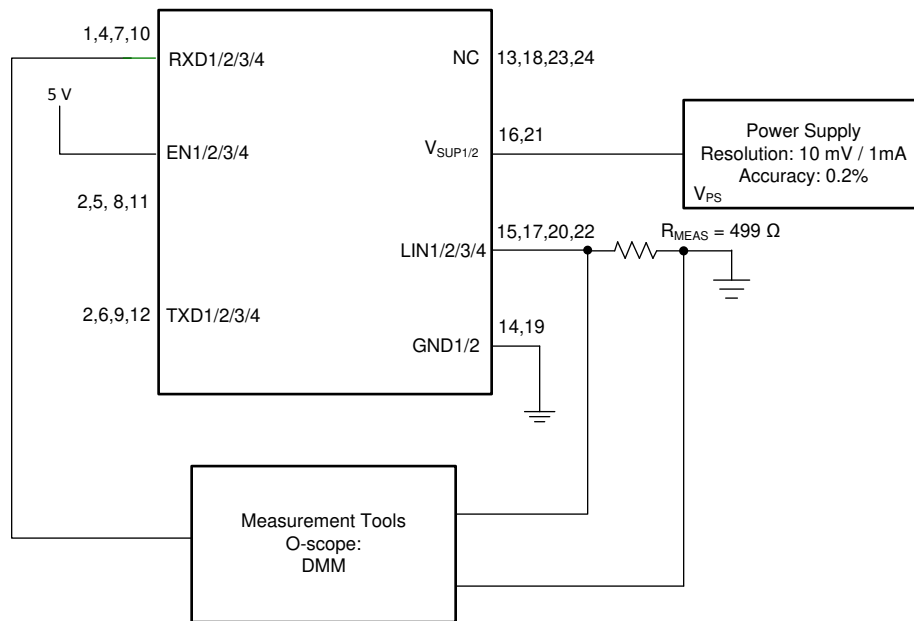


图 7-7. Test Circuit for $I_{BUS_PAS_dom}$; TXD = Recessive State $V_{BUS} = 0$ V

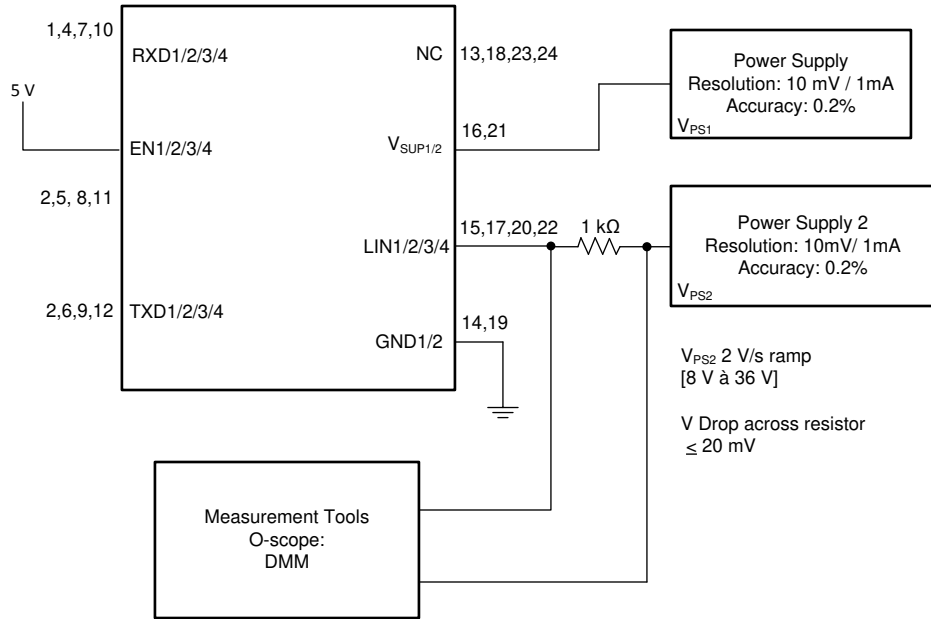


图 7-8. Test Circuit for $I_{BUS_PAS_rec}$

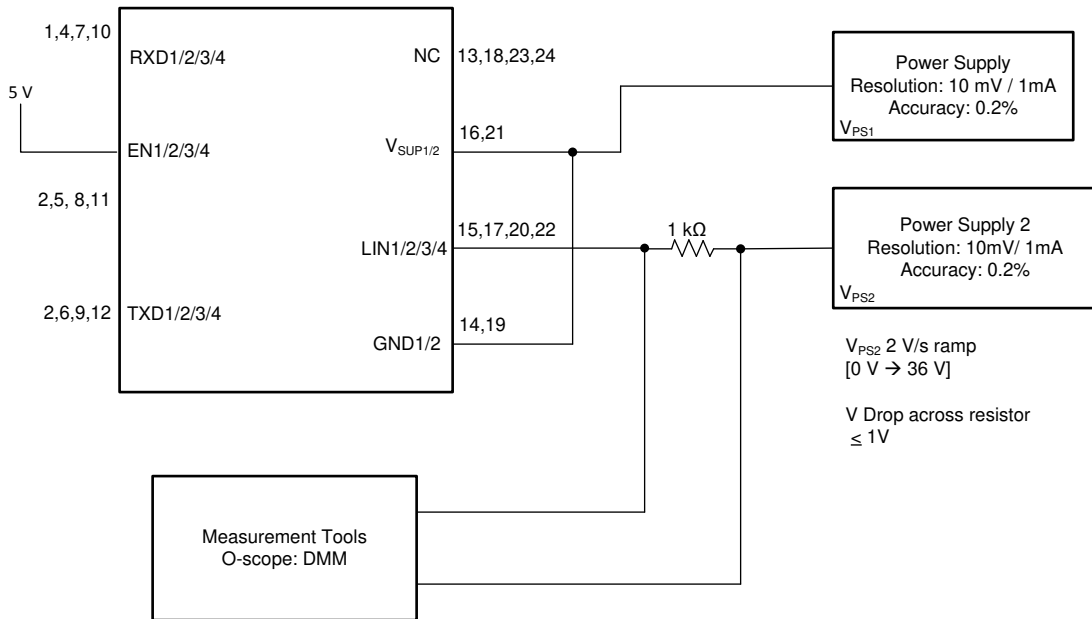


图 7-9. Test Circuit for $I_{BUS_NO_GND}$ Loss of GND

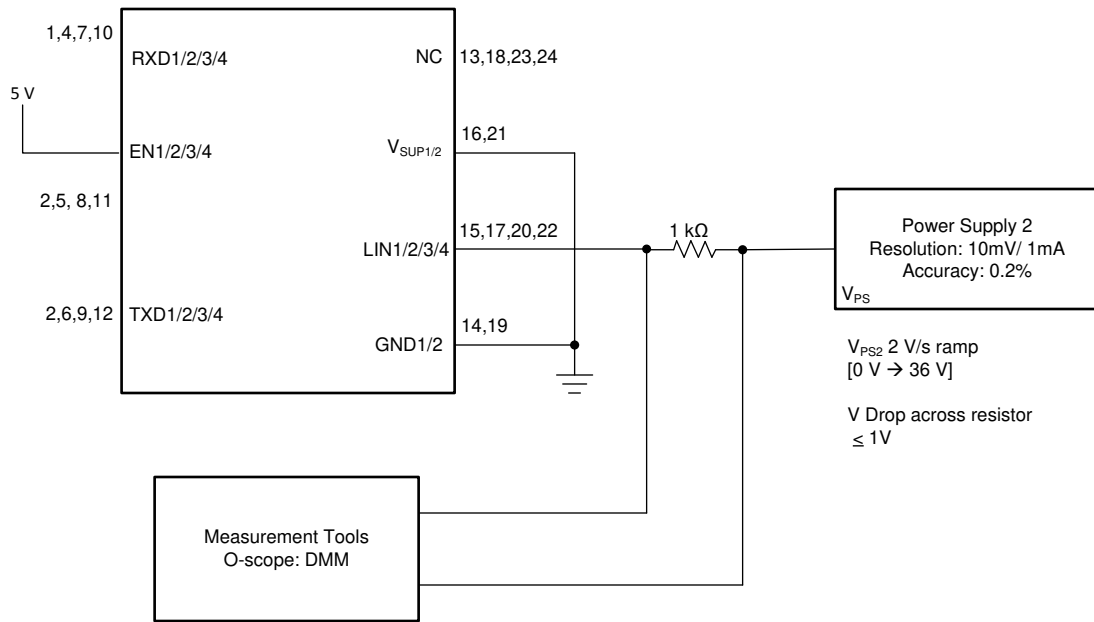


图 7-10. Test Circuit for $I_{BUS_NO_BAT}$ Loss of Battery

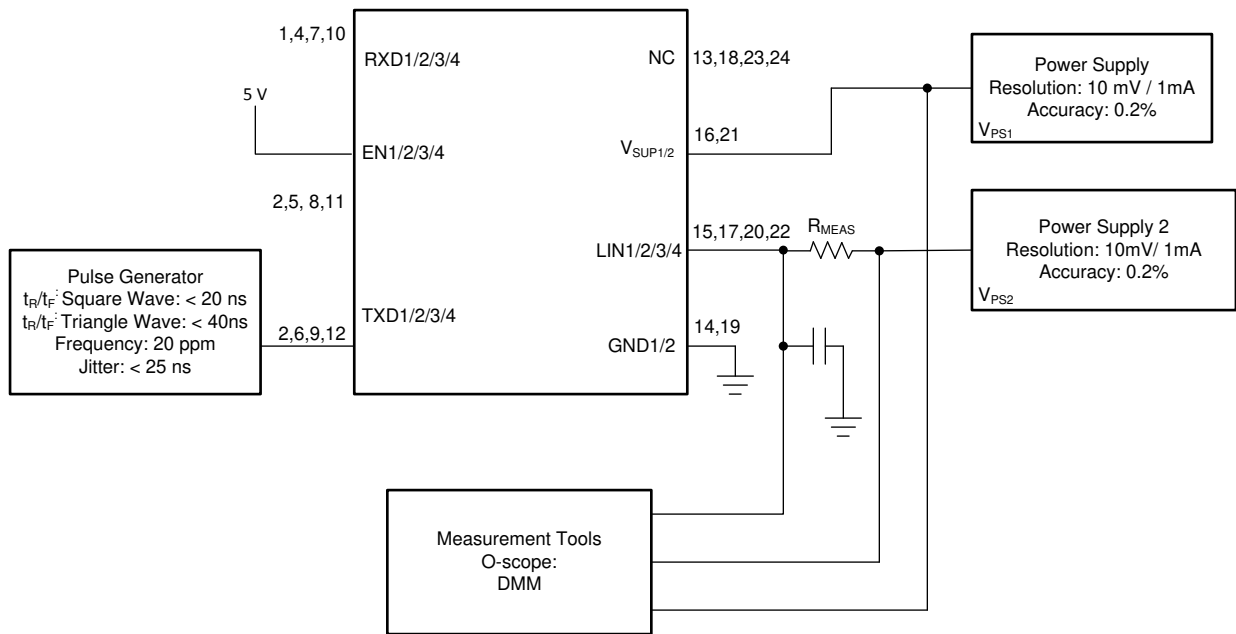


图 7-11. Test Circuit Slope Control and Duty Cycle

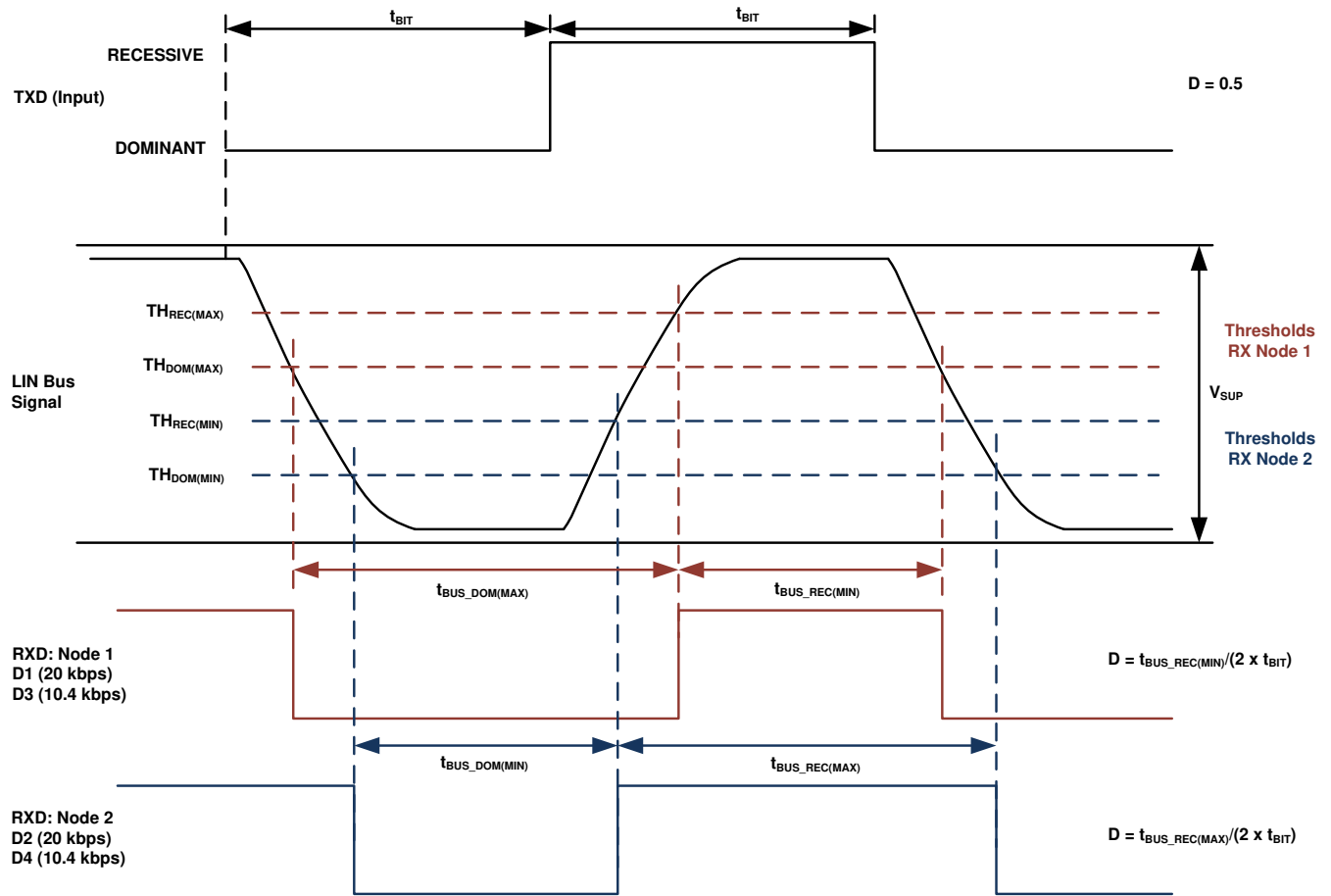


图 7-12. Definition of Bus Timing Parameters

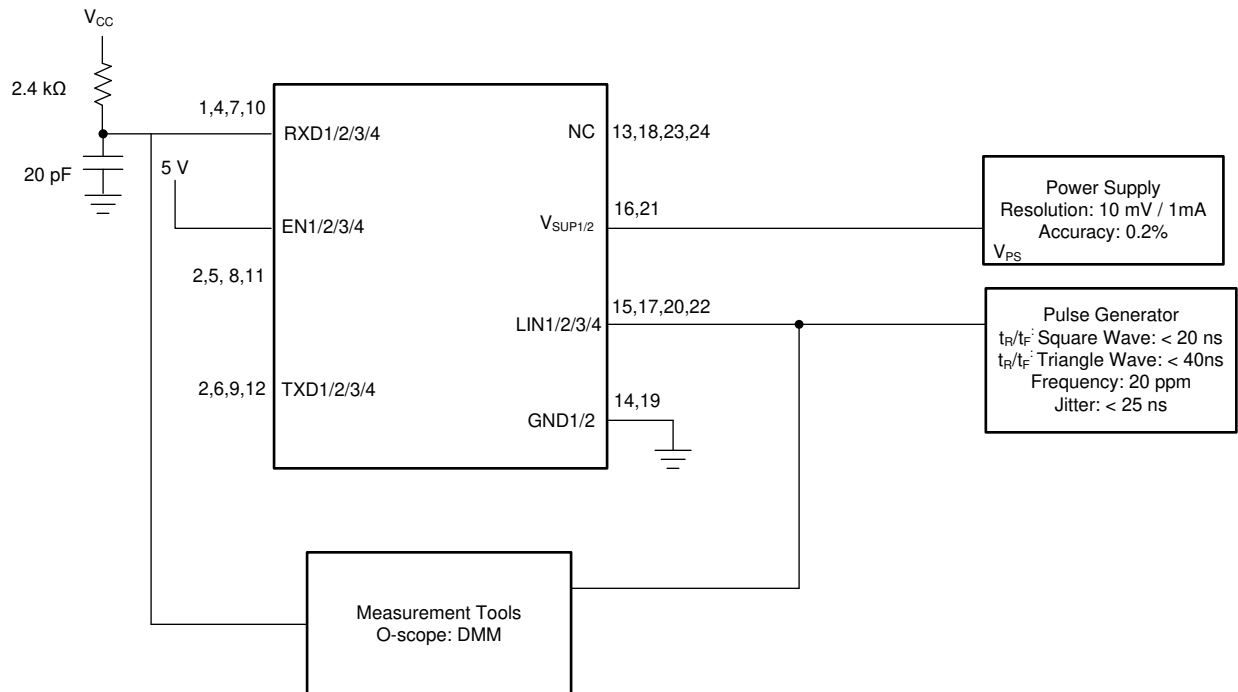


图 7-13. Propagation Delay Test Circuit

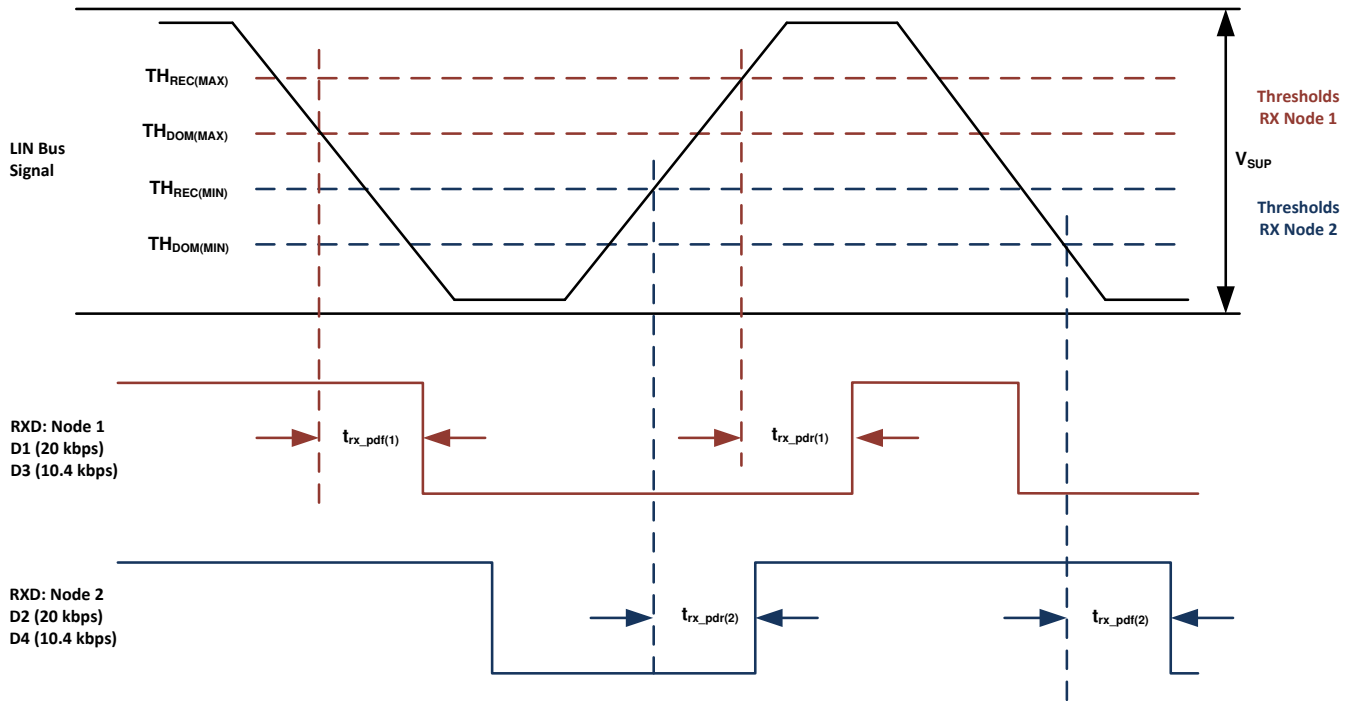


图 7-14. Propagation Delay

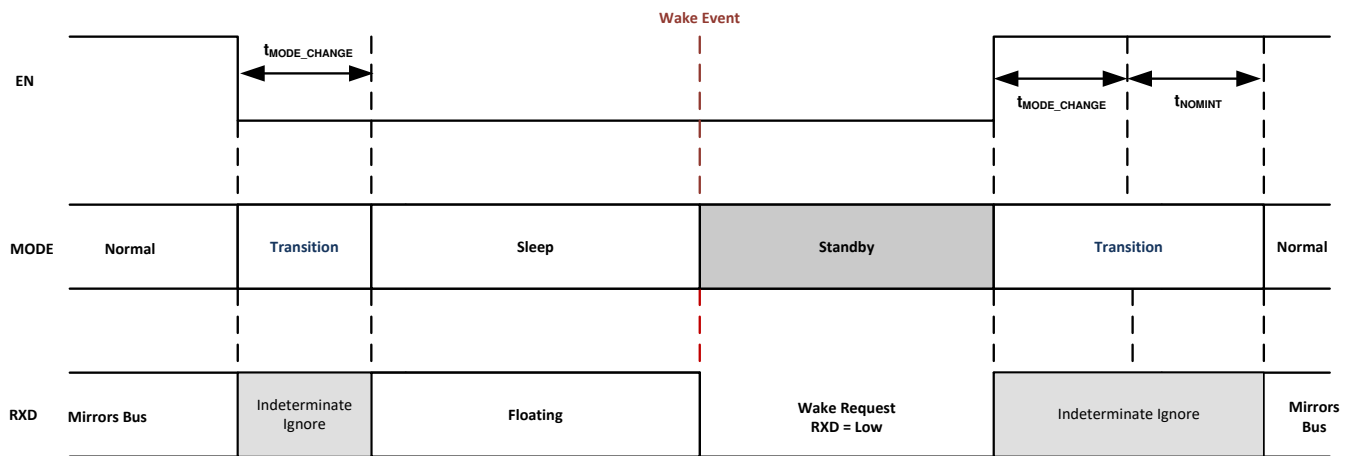


图 7-15. Mode Transitions

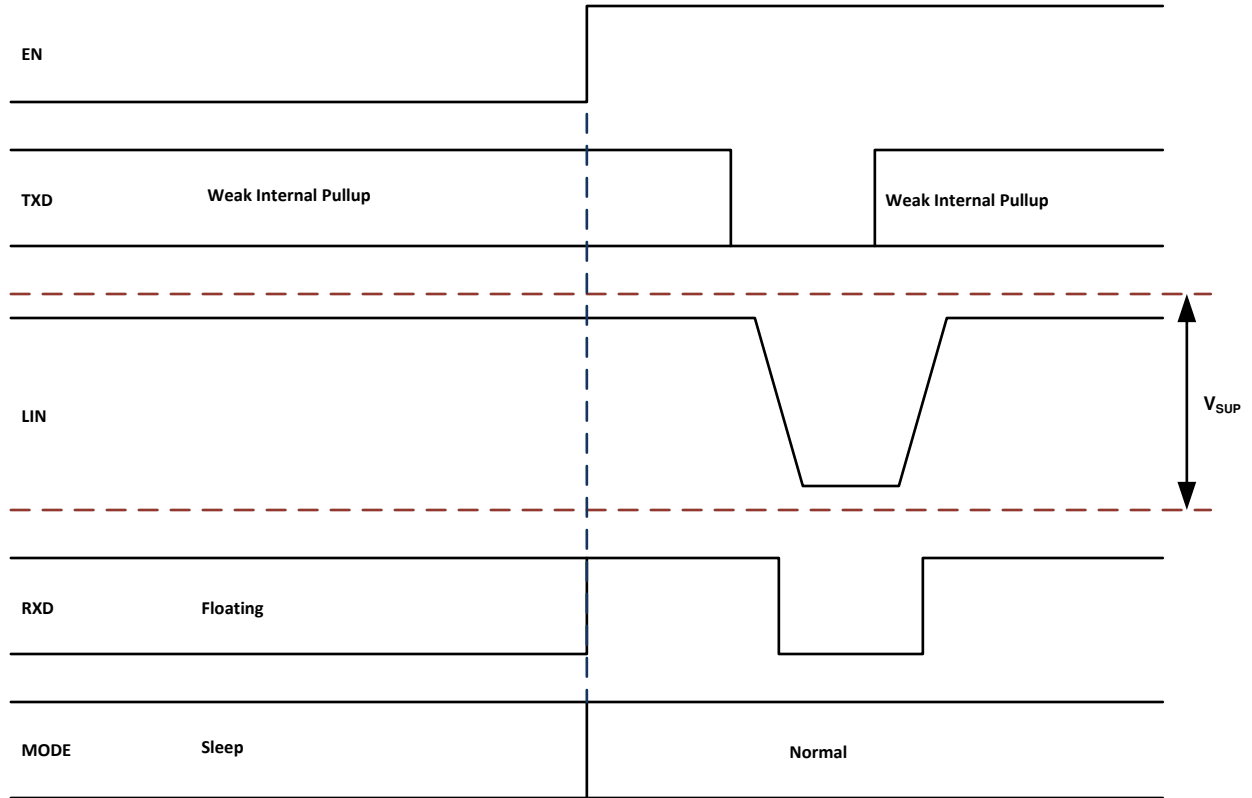


图 7-16. Wake Up Through EN

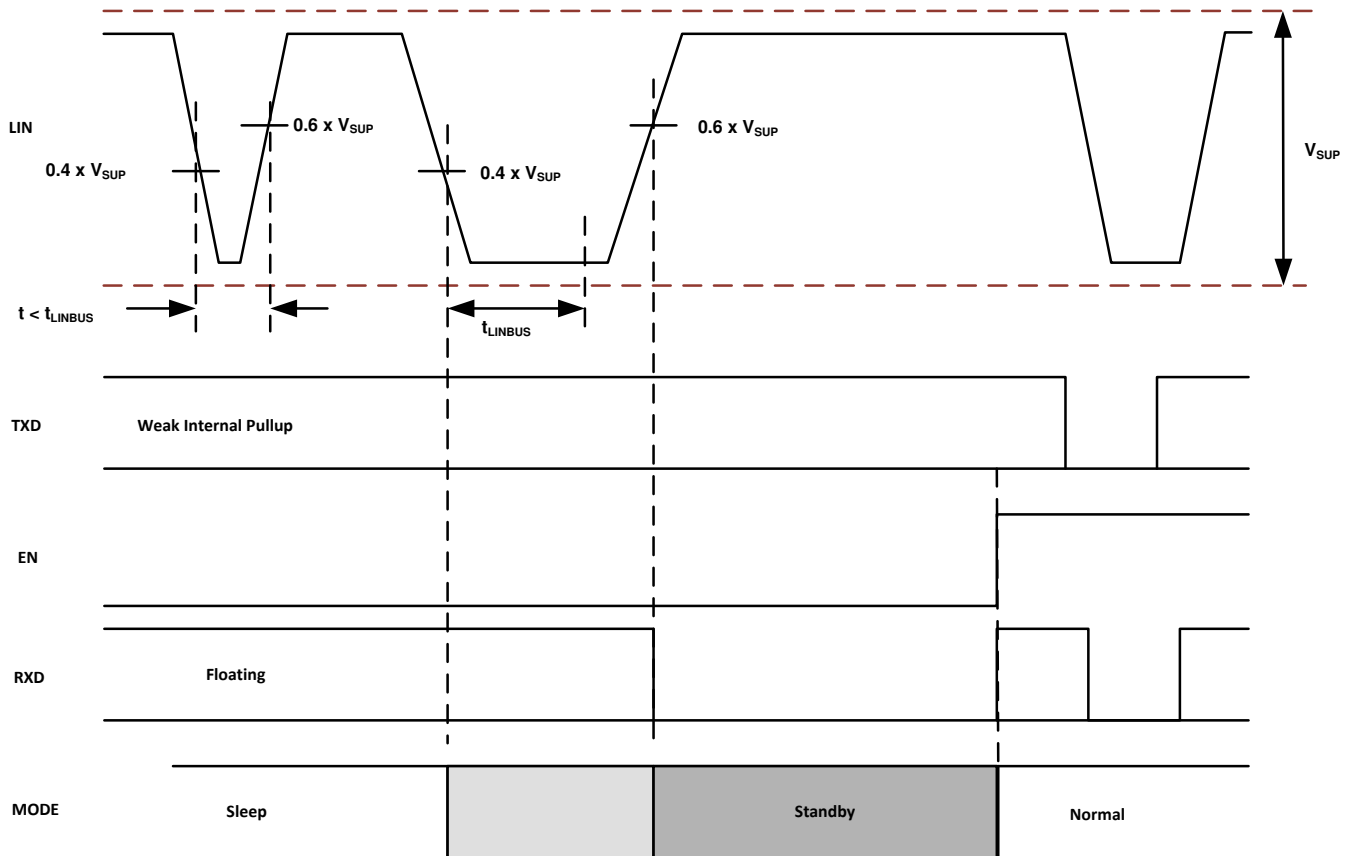


图 7-17. Wake Up Through LIN

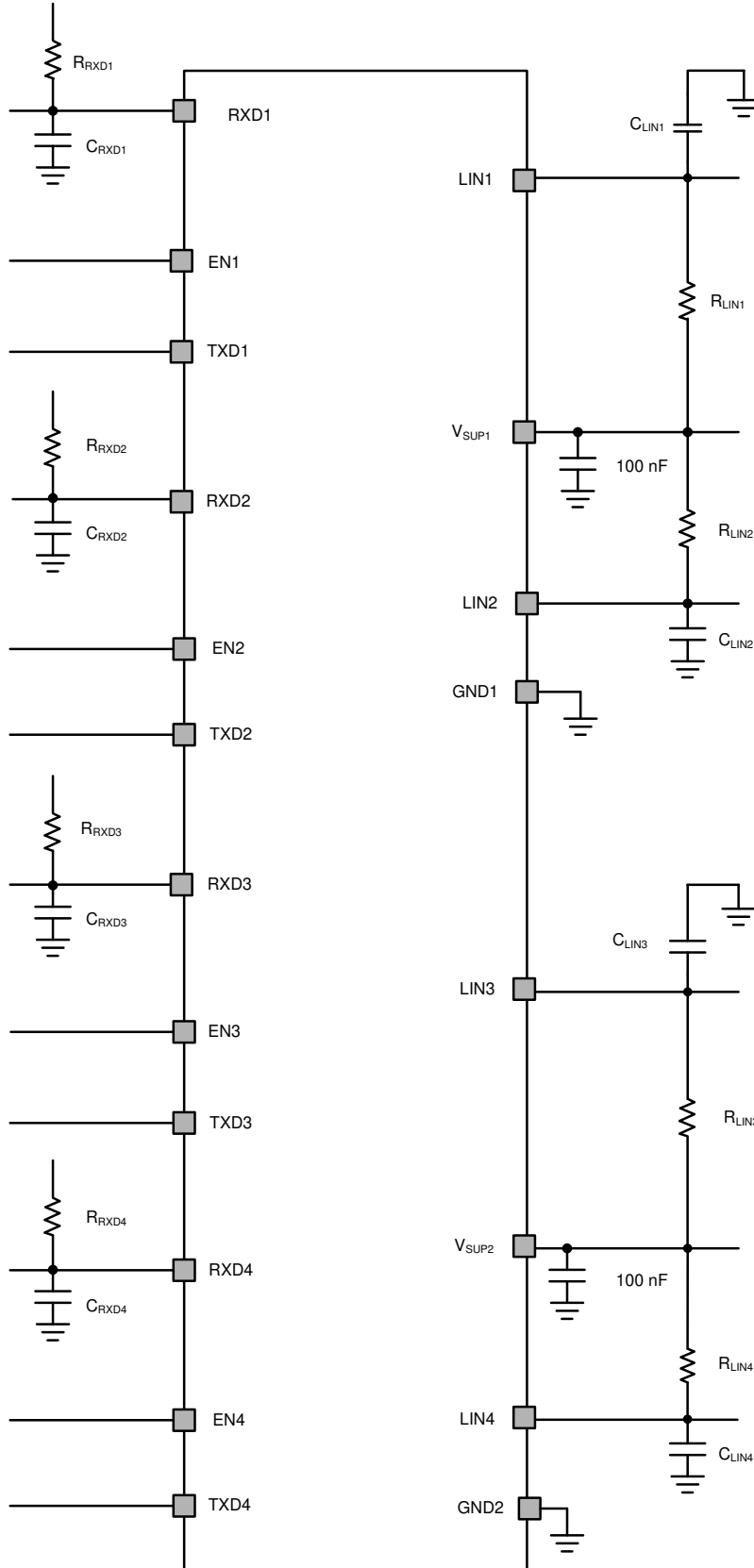


图 7-18. Test Circuit for AC Characteristics

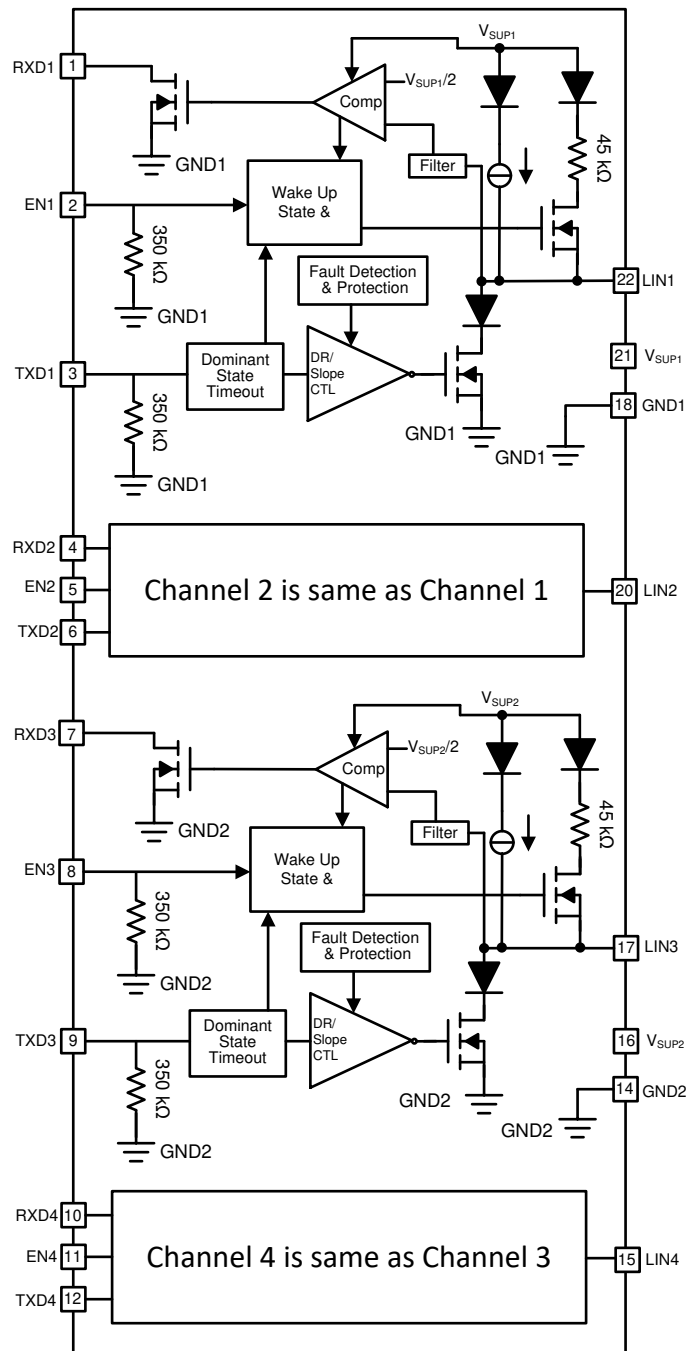
7 Detailed Description

7.1 Overview

The TLIN1024-Q1 device is a Quad Local Interconnect Network (LIN) physical layer transceiver, compliant to LIN 2.0, LIN 2.1, LIN 2.2, LIN 2.2A and ISO/DIS 17987 - 4.2, with integrated wake-up and protection features. The TLIN1024-Q1 has two separate dual LIN transceiver blocks. $V_{SUP1/2}$ provides power to the separate dual transceiver blocks. The LIN bus is a single wire bidirectional bus typically used for low speed in vehicle networks using data rates up to 20 kbps. The TLIN1024-Q1 LIN receivers work up to 100 kbps supporting in-line programming. The LIN protocol output data stream on the TXD is converted by the TLIN1024-Q1 into LIN bus signal using a current-limited wave shaping driver as outlined by the LIN physical layer specification. The receiver converts the data stream to logic level signals that are sent to the microprocessor through the open drain RXD pin. The LIN bus has two states: dominant state (voltage near ground) and recessive state (voltage near battery). In the recessive state, the LIN bus is pulled high by the internal pull-up resistor ($45\text{ k}\Omega$) and a series diode. No external pull-up components are required for responder applications. Commander applications require an external pull-up resistor ($1\text{ k}\Omega$) plus a series diode per the LIN specification. The TLIN1024-Q1 provides many protection features such as ESD, EMC and high bus standoff voltage.

The TLIN1024-Q1 support wide operating ranges with $V_{SUP1/2}$ of 4 V to 36 V, $\pm 45\text{ V}$ LIN bus fault protection, -40 to $+125\text{ C}$ T_A . Sleep mode is supported which is Ultra-Low current consumption. There are two methods to wake up the TLIN1024-Q1 from sleep mode; by the LIN bus and local wake-up using the EN pin. The TLIN1024-Q1 provides protection features that include $\pm 8\text{ kV}$ HBM and IEC ESD protection on LIN pins, under voltage protection on $V_{SUP1/2}$, TXD dominant time out protection (DTO), thermal shutdown protection and unpowered node or ground disconnection failsafe at system level. V_{SUP1} and GND1 supplies transceivers 1 and 2 while V_{SUP2} and GND2 supplies transceiver 3 and 4. The TLIN1024-Q1 is part of the LIN family that includes the TLIN1022 and TLIN1029 LIN transceivers.

7.2 Functional Block Diagram



7.3 Feature Description

7.3.1 LIN (Local Interconnect Network) Bus

These high voltage input/output pins are single wire LIN bus transmitters and receivers. The LIN pins can survive excessive DC and transient voltages up to 45 V. Reverse currents from the LIN pins to supply ($V_{SUP1/2}$) are minimized with blocking diodes, even in the event of a ground shift or loss of supply ($V_{SUP1/2}$).

7.3.1.1 LIN Transmitter Characteristics

The transmitter has thresholds and AC parameters according to the LIN specification. The transmitter is a low side transistor with and internal current limitation and thermal shutdown. During a thermal shutdown condition, the transmitter is disabled to protect the device. There is an internal pull-up resistor with a serial diode structure

to $V_{SUP1/2}$, so no external pull-up components are required for the LIN responder mode applications. An external pull-up resistor and series diode to $V_{SUP1/2}$ must be added when the device is used for a commander node application.

7.3.1.2 LIN Receiver Characteristics

The receiver characteristic thresholds are ratio-metric with the device supply pin according to the LIN specification.

The receiver is capable of receiving higher data rates (> 100 kbps) than supported by LIN or SAE J2602 specifications. This allows the TLIN1024-Q1 to be used for high speed downloads at the end-of-line production or other applications. The actual data rate achievable depends on system time constants (bus capacitance and pull-up resistance) and driver characteristics used in the system.

7.3.1.2.1 Termination

There is an internal pull-up resistor with a serial diode structure to $V_{SUP1/2}$, so no external pull-up components are required for the LIN responder mode applications. An external pull-up resistor ($1\text{ k}\Omega$) and a series diode to $V_{SUP1/2}$ must be added when the device is used for commander node applications as per the LIN specification.

图 7-1 shows a Commander Node configuration and how the voltage levels are defined

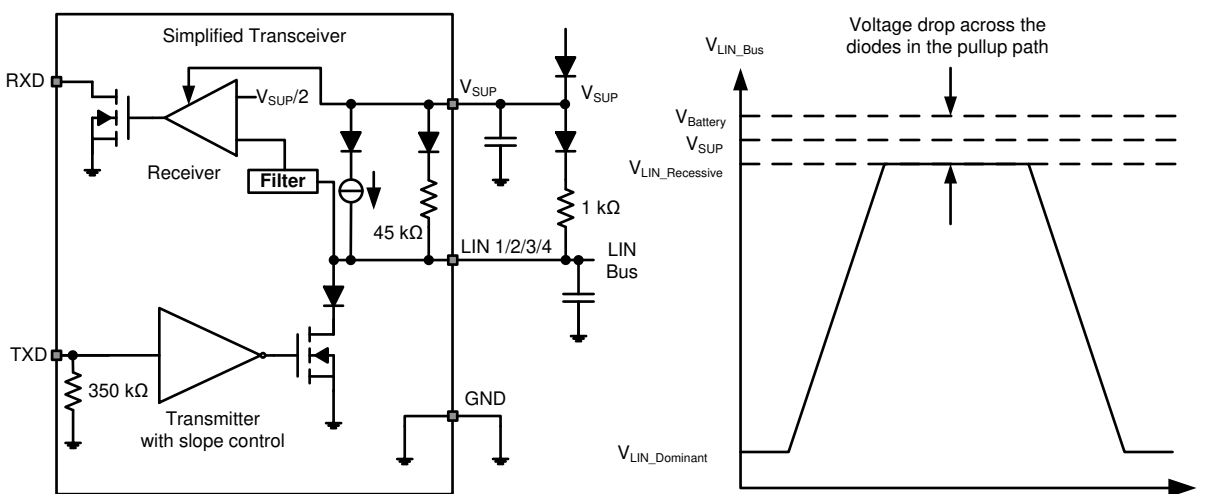


图 7-1. Commander Node Configuration with Voltage Levels

7.3.2 TXD (Transmit Input/Output)

TXD is the interface to the processors LIN protocol controller or SCI/UART that is used to control the state of the LIN output. When TXD is low the LIN output is dominant (near ground). When TXD is high the LIN output is recessive (near $V_{Battery}$). See 图 7-1. The TXD input structure is compatible with microprocessors with 3.3 V and 5 V I/O. TXD has an internal pull-down resistor. The LIN bus is protected from being stuck dominant through a system failure driving TXD low through the dominant state timer-out timer.

7.3.3 RXD (Receive Output)

RXD is the interface to the processors LIN protocol controller or SCI/UART, which reports the state of the LIN bus voltage. LIN recessive (near $V_{Battery}$) is represented by a high level on the RXD and LIN dominant (near ground) is represented by a low level on the RXD pin. The RXD output structure is an open-drain output stage. This allows the device to be used with 3.3 V and 5 V I/O microprocessors. If the microprocessor's RXD pin does not have an integrated pull-up, an external pull-up resistor to the microprocessor I/O supply voltage is required. In standby mode the RXD pin is driven low to indicate a wake up request from the LIN bus.

7.3.4 $V_{SUP1/2}$ (Supply Voltage)

$V_{SUP1/2}$ are the power supply pins. $V_{SUP1/2}$ is connected to the battery through an external reverse battery blocking diode (See 图 7-1). If there is a loss of power at the ECU level, the device has extremely low leakage

from the LIN pin, which does not load the bus down. This is optimal for LIN systems in which some of the nodes are unpowered (ignition supplied) while the rest of the network remains powered (battery supplied).

7.3.5 GND (Ground)

GND1/2 are the device ground connections. The device can operate with a ground shift as long as the ground shift does not reduce $V_{SUP1/2}$ below the minimum operating voltage. If there is a loss of ground at the ECU level, the device has a low leakage from the LIN pin, which does not load the bus down. This is optimal for LIN systems in which some of the nodes are unpowered (ignition supplied) while the rest of the network remains powered (battery supplied).

7.3.6 EN (Enable Input)

EN controls the operational modes of the device. When EN is high the device is in normal operating mode allowing a transmission path from TXD to LIN and from LIN to RXD. When EN is low the device is put into sleep mode and there are no transmission paths available. The device can enter normal mode only after wake up. EN has an internal pull-down resistor to endure the device remains in low power mode even if EN floats.

7.3.7 Protection Features

The TLIN1024-Q1 has several protection features that will now be described.

7.3.8 TXD Dominant Time Out (DTO)

During normal mode, if TXD is inadvertently driven permanently low by a hardware or software application failure, the LIN bus is protected by the dominant state timeout timer. This timer is triggered by a falling edge on the TXD pin. If the low signal remains on TXD for longer than t_{DST} , the transmitter is disabled, thus allowing the LIN bus to return to recessive state and communication to resume on the bus. The protection is cleared and the t_{DST} timer is reset by a rising edge on TXD. The TXD pin has an internal pull-down to ensure the device fails to a known state if TXD is disconnected. During this fault, the transceiver remains in normal mode (assuming no change of stated request on EN), the transmitter is disabled, the RXD pin reflects the LIN bus and the LIN bus pull-up termination remains on.

7.3.9 Bus Stuck Dominant System Fault: False Wake Up Lockout

The TLIN1024-Q1 contains logic to detect bus stuck dominant system faults and prevents the device from waking up falsely during the system fault. Upon entering sleep mode, the device detects the state of the LIN bus. If the bus is dominant, the wake up logic is locked out until a valid recessive on the bus “clears” the bus stuck dominant, preventing excessive current use [图 7-2](#) and [图 7-3](#) show the behavior of this protection.

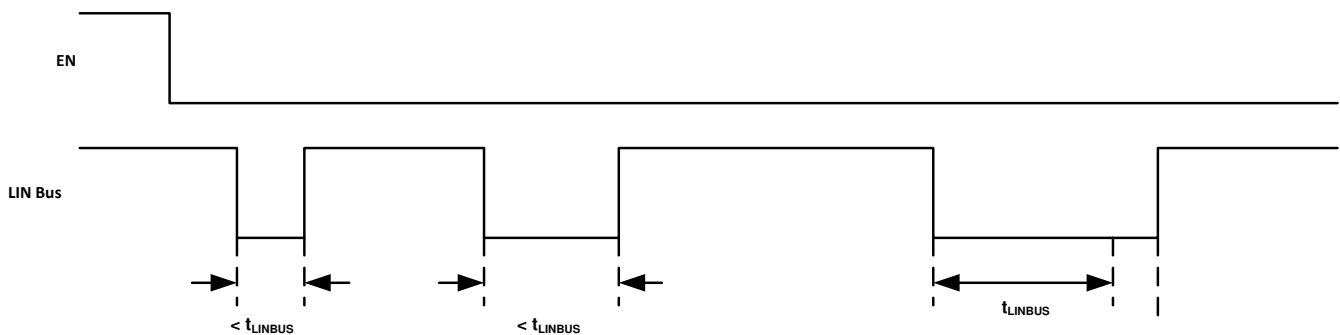


图 7-2. No Bus Fault: Entering Sleep Mode with Bus Recessive Condition and Wakeup

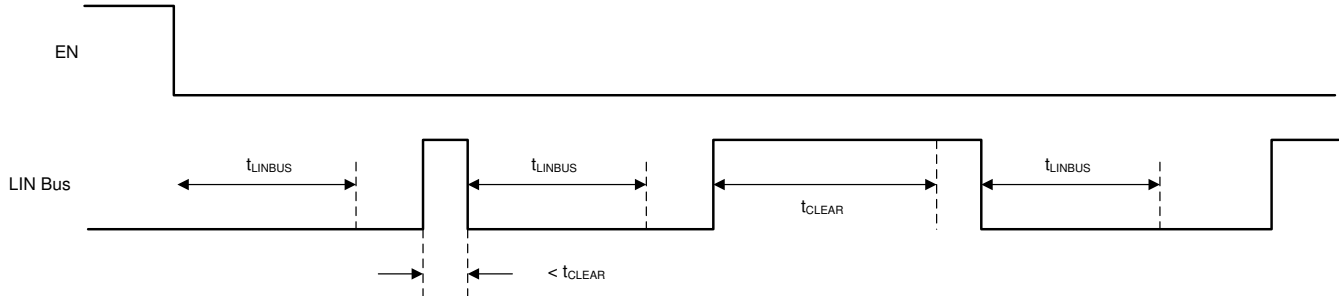


图 7-3. Bus Fault: Entering Sleep Mode with Bus Stuck Dominant Fault, Clearing, and Wakeup

7.3.10 Thermal Shutdown

The LIN transmitter is protected limiting the current; however if the junction temperature of the device exceeds the thermal shutdown threshold, the device puts the LIN transmitter into the recessive state. Once the over temperature fault condition has been removed and the junction temperature has cooled beyond the hysteresis temperature, the transmitter is re-enabled, assuming the device remained in the normal operation mode. During this fault, the transceiver remains in normal mode (assuming no change of state request on EN), the transmitter is in recessive state, the RXD pin reflects the LIN bus and LIN bus pull-up termination remains on.

7.3.11 Under Voltage on V_{SUP}

The TLIN1024-Q1 contains a power on reset circuit to avoid false bus messages during under voltage conditions when $V_{SUP1/2}$ is less than $UV_{SUP1/2}$.

7.3.12 Unpowered Device and LIN Bus

In automotive applications some LIN nodes in a system can be unpowered (ignition supplied) while others in the network remains powered by the battery. The TLIN1024-Q1 has a low unpowered leakage current from the bus so an unpowered node does not affect the network or load it down.

7.4 Device Functional Modes

The TLIN1024-Q1 has three functional modes of operation, normal, sleep, and standby. The next sections describe these modes as well as how the device moves between the different modes. 图 7-4 graphically shows the relationship while 表 7-1 shows the state of pins.

表 7-1. Operating Modes

MODE	ENx	RXDx	LIN BUS TERMINATION	TRANSMITTER	COMMENT
Sleep	Low	Floating	Weak Current Pull-up	Off	
Standby	Low	Low	45 kΩ (typical)	Off	Wake up event detected, waiting on MCU to set EN
Normal	High	LINx Bus Data	45 kΩ (typical)	On	LINx transmission up to 20 kbps

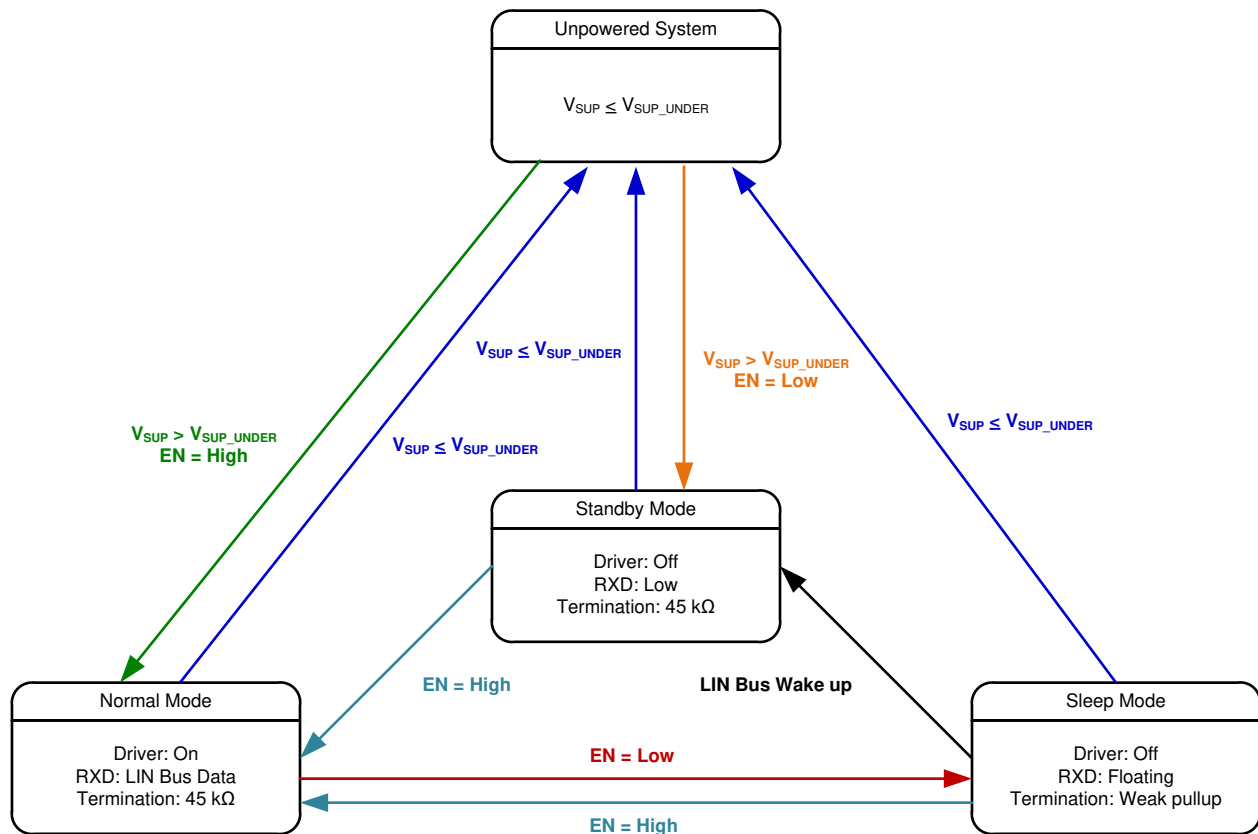


图 7-4. Operating State Diagram

7.4.1 Normal Mode

If the EN pin is high at power up, the device powers up in normal mode. The EN pin controls the mode of the device. In normal operational mode, the receiver and transmitter are active and the LIN transmission up to the LIN specified maximum of 20 kbps is supported. The receiver detects the data stream on the LIN bus and outputs it on RXD for the LIN controller. A recessive signal on the LIN bus is a digital high and a dominate signal on the LIN bus is a digital low. The driver transmits input data from TXD to the LIN bus. Normal mode is entered as EN transitions high while the TLIN1024-Q1 is in sleep or standby mode for $> t_{MODE_CHANGE}$.

7.4.2 Sleep Mode

Sleep Mode is the power saving mode for the TLIN1024-Q1. Even with extremely low current consumption in this mode, the TLIN1024-Q1 can still wake up from LIN bus through a wake up signal or if EN is set high for $>$

$t_{\text{MODE_CHANGE}}$. The Lin bus is filtered to prevent false wake up events. The wake up events must be active for the respective time periods (t_{LINBUS}).

The sleep mode is entered by setting EN low for longer than $t_{\text{MODE_CHANGE}}$.

While the device is in sleep mode, the following conditions exist.

- The LIN bus driver is disabled and the internal LIN bus termination is switched off (to minimize power loss if LIN is short circuited to ground). However, the weak current pull-up is active to prevent false wake up events in case an external connection to the LIN bus is lost.
- The normal receiver is disabled.
- EN input and LIN wake up receiver are active.

7.4.3 Standby Mode

During power up if EN is low the device enters standby mode. Standby mode is entered whenever a wake up event occurs through LIN bus while the device is in sleep mode. The LIN bus responder termination circuit is turned on when standby mode is entered. Standby mode is signaled through a low level on RXD. See [节 8.2.2.2](#) for more application information.

When EN is set high for longer than $t_{\text{MODE_CHANGE}}$ while the device is in standby mode the device returns to normal mode and the normal transmission paths from TXD to LIN bus and LIN bus to RXD are enabled.

7.4.4 Wake Up Events

There are two ways to wake up from sleep mode:

- Remote wake up initiated by the falling edge of a recessive (high) to dominant (low) state transition on LIN bus where the dominant state is held for t_{LINBUS} filter time. After this t_{LINBUS} filter time has been met and a rising edge on the LIN bus going from dominant state to recessive state initiates a remote wake up event, eliminating false wake ups from disturbances on the LIN bus or if the bus is shorted to ground.
- Local wake up through EN being set high for longer than $t_{\text{MODE_CHANGE}}$.

7.4.4.1 Wake Up Request (RXD)

When the TLIN1024-Q1 encounters a wake up event from the LIN bus, RXD goes low and the device transitions to standby mode until EN is reasserted high and the device enters normal mode. Once the device enters normal mode the RXD pin is releasing the wake up request signal and the RXD pin then reflects the receiver output from the LIN bus.

7.4.4.2 Mode Transitions

When the TLIN1024-Q1 is transitioning between modes the device needs the time, $t_{\text{MODE_CHANGE}}$, to allow the change to fully propagate from the EN pin through the device into the new state. When transitioning from sleep or standby mode to normal mode the transition time is the sum of $t_{\text{MODE_CHANGE}}$ and t_{NOMINT} .

8 Application and Implementation

备注

以下应用部分中的信息不属于 TI 器件规格的范围，TI 不担保其准确性和完整性。TI 的客户应负责确定器件是否适用于其应用。客户应验证并测试其设计，以确保系统功能。

8.1 Application Information

The TLIN1024-Q1 can be used as both a responder device and a commander device in a LIN network. The device comes with the ability to support both remote wake up request and local wake up request.

8.2 Typical Application

The device comes with an integrated 45 kΩ pull-up resistor and series diode for responder applications. For commander applications, an external 1 kΩ pull-up resistor with series blocking diode can be used. 图 8-1 shows the device being used in both commander and responder applications.

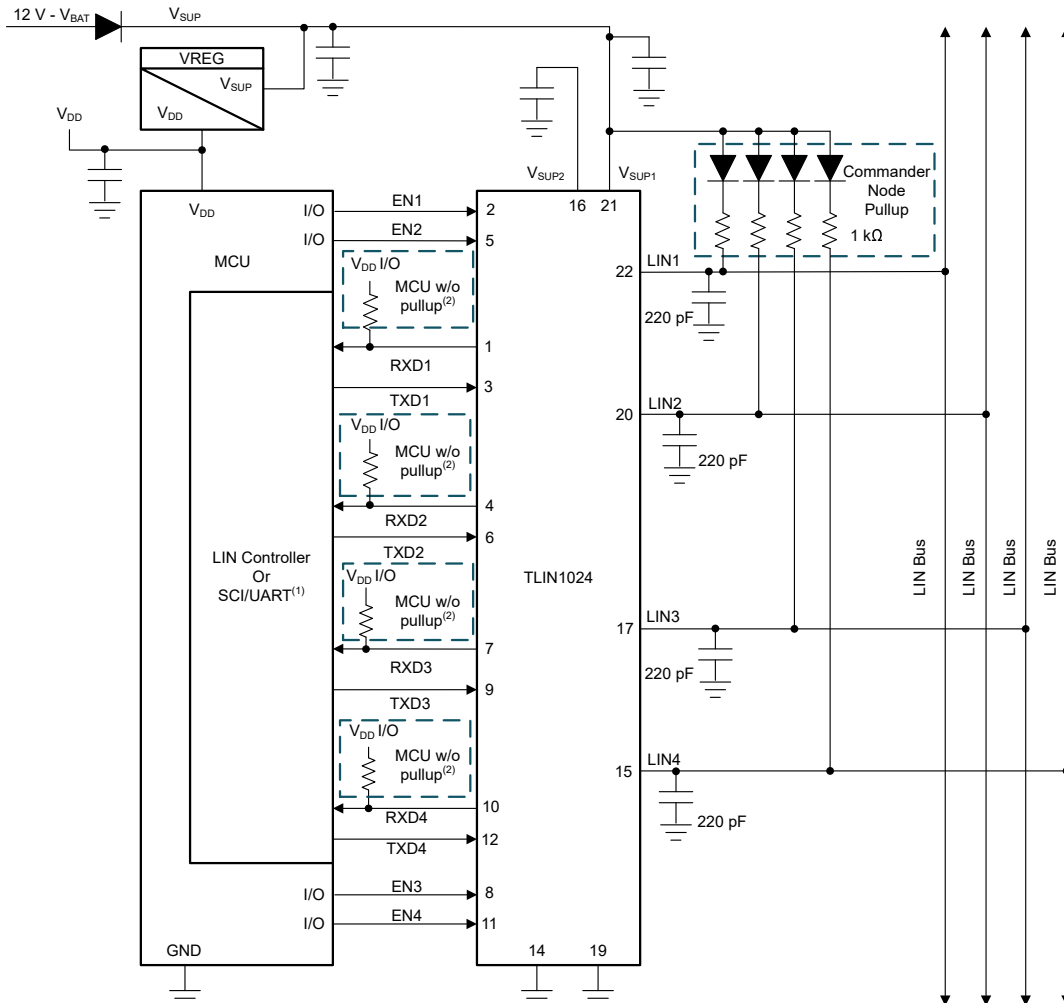


图 8-1. Typical LIN Bus

8.2.1 Design Requirements

1. RXD on MCU or LIN responder has internal pull-up; no external pull-up resistor is needed.
2. RXD on MCU or LIN responder without internal pull-up requires external pull-up resistor.
3. Commander node applications require an external 1 k Ω pull-up resistor and serial diode.
4. Decoupling capacitor values are system dependant but usually have a 100 nF, 1 μ F and ≥ 10 μ F.

8.2.2 Detailed Design Procedure

The RXD output structure is an open drain output stage. This allows the TLIN1024-Q1 to be used with 3.3 V and 5 V I/O microprocessors. If the RXD pin of the microprocessor does not have an integrated pull-up, an external pull-up resistor to the microprocessor I/O supply voltage is required.

The $V_{SUP1/2}$ pins of the device should be decoupled with a 100 nF capacitor as close to the supply pin on the device as possible.

8.2.2.1 Normal Mode Application Note

When using the TLIN1024-Q1 in systems which are monitoring the RXD pin for a wake up request, special care should be taken during the mode transitions. The output of the RXD pin is indeterminate for the transition period between states as the receivers are switched. The application software should not look for an edge on the RXD pin indicating a wake up request until t_{MODE_CHANGE} plus t_{NOMINT} when going from sleep or standby to normal mode. This is shown in [Figure 7-15](#)

8.2.2.2 Standby Mode Application Note

If the TLIN1024-Q1 detects an under voltage on $V_{SUP1/2}$, the RXD pin transitions low and would signal to the software that the TLIN1024-Q1 is in standby mode and should be returned to sleep mode for the lowest power state.

8.2.2.3 TXD Dominant State Timeout Application Note

The maximum dominant TXD time allowed by the TXD dominant state time out limits the minimum possible data rate of the device. The LIN protocol has different constraints for commander and responder applications thus there are different maximum consecutive dominant bits for each application case and thus different minimum data rates.

8.2.3 Application Curves

and show the propagation delay from the TXD pin to the LIN pin for both dominant to recessive and recessive to dominant stated under lightly loaded conditions.

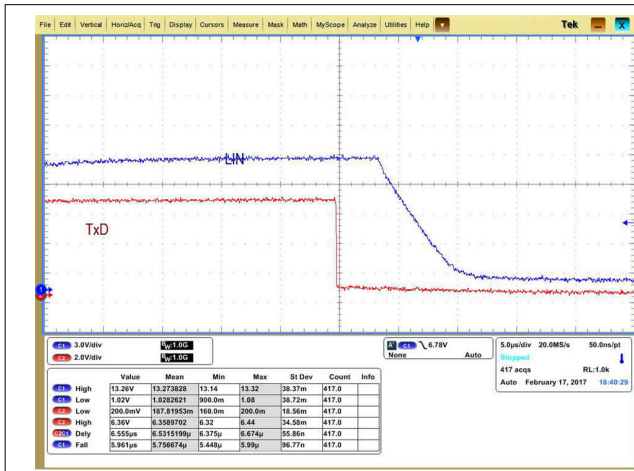


图 8-2. Dominant to Recessive Propagation

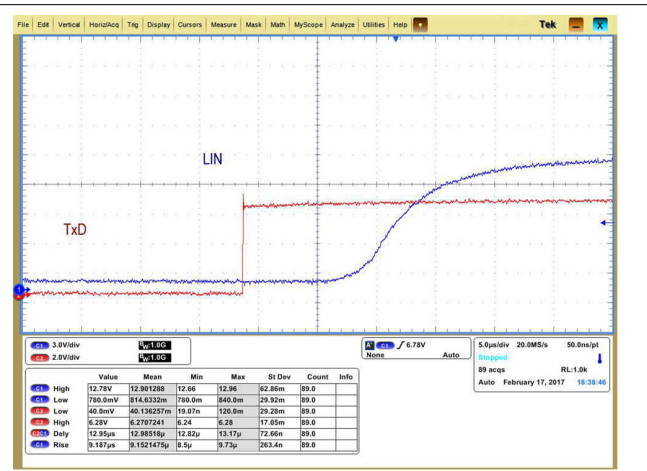


图 8-3. Recessive to Dominant Propagation

8.3 Power Supply Recommendations

The TLIN1024-Q1 was designed to operate directly off a car battery, or any other DC supply ranging from 4 V to 36 V. A 100 nF decoupling capacitor should be placed as close to the $V_{SUP1/2}$ pin of the device as possible. Most applications will include a 1 μ F and $\geq 10 \mu$ F decoupling capacitors.

8.4 Layout

In order for the PCB design to be successful, start with design of the protection and filtering circuitry. Because ESD and EFT transients have a wide frequency bandwidth from approximately 3 MHz to 3 GHz, high frequency layout techniques must be applied during PCB design. Placement at the connector also prevents these noisy events from propagating further into the PCB and system.

8.4.1 Layout Guidelines

- **Pins 1, 4, 7 and 10 (RXD1/2/3/4):** The pins are open drain outputs and require an external pull-up resistor in the range of 1 k Ω and 10 k Ω to function properly. If the microprocessor paired with the transceiver does not have an integrated pull-up, an external resistor should be placed between RXD and the regulated voltage supply for the microprocessor.
- **Pins 2, 5, 8 and 11 (EN1/2/3/4):** EN is an input pin that is used to place the device in a low power sleep mode. If this feature is not used the pin should be pulled high to the regulated voltage supply of the microprocessor through a series resistor, values between 1 k Ω and 10 k Ω . Additionally, a series resistor may be placed on the pin to limit current on the digital lines in the case of an over voltage fault.
- **Pin 13, 18, 23 and 24 (NC):** Not Connected
- **Pins 3, 6, 9 and 12 (TXD1/2/3/4):** The TXD pins are the transmitter input signals to the device from the microprocessor. A series resistor can be placed to limit the input current to the device in the case of an overvoltage on this pin. A capacitor to ground can be placed close to the input pin of the device to filter noise.
- **Pin 14, 19 (GND2/1):** This is the ground connection for the device. This pin should be tied to the ground plane through a short trace with the use of two vias to limit total return inductance.
- **Pins 22, 20, 17 and 15 (LIN1/2/3/4):** This pin connects to the LIN bus. For responder applications a 220 pF capacitor to ground is implemented. For commander applications an additional series resistor and blocking diode should be placed between the LIN pin and the $V_{SUP1/2}$ pin. See 图 8-1.
- **Pin 21, 160 ($V_{SUP1/2}$):** This is the supply pin for the device. A 100 nF decoupling capacitor should be placed as close to the device as possible.

9 Device and Documentation Support

9.1 Documentation Support

This device will conform to the following LIN standards. The core of what is needed is covered within this system spec, however reference should be made to these standards and any discrepancies pointed out and discussed. This document should provide all the basics of what is needed.

9.1.1 Related Documentation

[TLIN1024-Q1 Duty Cycle Over \$V_{SUP}\$](#)

For related documentation see the following:

- LIN Standards:
- ISO/DIS 17987-1.2: Road vehicles -- Local Interconnect Network (LIN) -- Part 1: General information and use case definition
- ISO/DIS 17987-4.2: Road vehicles -- Local Interconnect Network (LIN) -- Part 4: Electrical Physical Layer (EPL) specification 12V/24V
- SAE J2602-1: LIN Network for Vehicle Applications

EMC requirements:

- SAE J2962-2: TBD
- ISO 10605: Road vehicles - Test methods for electrical disturbances from electrostatic discharge
- ISO 11452-4:2011: Road vehicles - Component test methods for electrical disturbances from narrowband radiated electromagnetic energy - Part 4: Harness excitation methods
- ISO 7637-1:2015: Road vehicles - Electrical disturbances from conduction and coupling - Part 1: Definitions and general considerations
- ISO 7637-3: Road vehicles - Electrical disturbances from conduction and coupling - Part 3: Electrical transient transmission by capacitive and inductive coupling via lines other than supply lines
- IEC 62132-4:2006: Integrated circuits - Measurement of electromagnetic immunity 150 kHz to 1 GHz - Part 4: Direct RF power injection method
- IEC 6100-4-2
- IEC 61967-4
- CISPR25

Conformance Test requirements:

- ISO/DIS 17987-7.2: Road vehicles -- Local Interconnect Network (LIN) -- Part 7: Electrical Physical Layer (EPL) conformance test specification
- SAE J2602-2: LIN Network for Vehicle Applications Conformance Test

9.2 接收文档更新通知

要接收文档更新通知，请导航至 [ti.com](#) 上的器件产品文件夹。点击 [订阅更新](#) 进行注册，即可每周接收产品信息更改摘要。有关更改的详细信息，请查看任何已修订文档中包含的修订历史记录。

9.3 支持资源

[TI E2E™ 支持论坛](#) 是工程师的重要参考资料，可直接从专家获得快速、经过验证的解答和设计帮助。搜索现有解答或提出自己的问题可获得所需的快速设计帮助。

链接的内容由各个贡献者“按原样”提供。这些内容并不构成 TI 技术规范，并且不一定反映 TI 的观点；请参阅 TI 的 [《使用条款》](#)。

9.4 Trademarks

TI E2E™ is a trademark of Texas Instruments.

所有商标均为其各自所有者的财产。

9.5 Electrostatic Discharge Caution



This integrated circuit can be damaged by ESD. Texas Instruments recommends that all integrated circuits be handled with appropriate precautions. Failure to observe proper handling and installation procedures can cause damage.

ESD damage can range from subtle performance degradation to complete device failure. Precision integrated circuits may be more susceptible to damage because very small parametric changes could cause the device not to meet its published specifications.

9.6 术语表

TI 术语表

本术语表列出并解释了术语、首字母缩略词和定义。

10 Mechanical, Packaging, and Orderable Information

The following pages include mechanical, packaging, and orderable information. This information is the most current data available for the designated devices. This data is subject to change without notice and revision of this document. For browser-based versions of this data sheet, refer to the left-hand navigation.

PACKAGING INFORMATION

Orderable Device	Status (1)	Package Type	Package Drawing	Pins	Package Qty	Eco Plan (2)	Lead finish/ Ball material (6)	MSL Peak Temp (3)	Op Temp (°C)	Device Marking (4/5)	Samples
TLIN1024RGYRQ1	ACTIVE	VQFN	RGY	24	3000	RoHS & Green	SN	Level-2-260C-1 YEAR	-40 to 125	TL024	Samples
TLIN1024RGYTQ1	ACTIVE	VQFN	RGY	24	250	RoHS & Green	SN	Level-2-260C-1 YEAR	-40 to 125	TL024	Samples

(1) The marketing status values are defined as follows:

ACTIVE: Product device recommended for new designs.

LIFEBUY: TI has announced that the device will be discontinued, and a lifetime-buy period is in effect.

NRND: Not recommended for new designs. Device is in production to support existing customers, but TI does not recommend using this part in a new design.

PREVIEW: Device has been announced but is not in production. Samples may or may not be available.

OBSOLETE: TI has discontinued the production of the device.

(2) **RoHS:** TI defines "RoHS" to mean semiconductor products that are compliant with the current EU RoHS requirements for all 10 RoHS substances, including the requirement that RoHS substance do not exceed 0.1% by weight in homogeneous materials. Where designed to be soldered at high temperatures, "RoHS" products are suitable for use in specified lead-free processes. TI may reference these types of products as "Pb-Free".

RoHS Exempt: TI defines "RoHS Exempt" to mean products that contain lead but are compliant with EU RoHS pursuant to a specific EU RoHS exemption.

Green: TI defines "Green" to mean the content of Chlorine (Cl) and Bromine (Br) based flame retardants meet JS709B low halogen requirements of <=1000ppm threshold. Antimony trioxide based flame retardants must also meet the <=1000ppm threshold requirement.

(3) MSL, Peak Temp. - The Moisture Sensitivity Level rating according to the JEDEC industry standard classifications, and peak solder temperature.

(4) There may be additional marking, which relates to the logo, the lot trace code information, or the environmental category on the device.

(5) Multiple Device Markings will be inside parentheses. Only one Device Marking contained in parentheses and separated by a "~" will appear on a device. If a line is indented then it is a continuation of the previous line and the two combined represent the entire Device Marking for that device.

(6) Lead finish/Ball material - Orderable Devices may have multiple material finish options. Finish options are separated by a vertical ruled line. Lead finish/Ball material values may wrap to two lines if the finish value exceeds the maximum column width.

Important Information and Disclaimer:The information provided on this page represents TI's knowledge and belief as of the date that it is provided. TI bases its knowledge and belief on information provided by third parties, and makes no representation or warranty as to the accuracy of such information. Efforts are underway to better integrate information from third parties. TI has taken and continues to take reasonable steps to provide representative and accurate information but may not have conducted destructive testing or chemical analysis on incoming materials and chemicals. TI and TI suppliers consider certain information to be proprietary, and thus CAS numbers and other limited information may not be available for release.

In no event shall TI's liability arising out of such information exceed the total purchase price of the TI part(s) at issue in this document sold by TI to Customer on an annual basis.

TAPE AND REEL INFORMATION

QUADRANT ASSIGNMENTS FOR PIN 1 ORIENTATION IN TAPE


*All dimensions are nominal

Device	Package Type	Package Drawing	Pins	SPQ	Reel Diameter (mm)	Reel Width W1 (mm)	A0 (mm)	B0 (mm)	K0 (mm)	P1 (mm)	W (mm)	Pin1 Quadrant
TLIN1024RGYRQ1	VQFN	RGY	24	3000	330.0	12.4	3.8	5.8	1.2	8.0	12.0	Q1
TLIN1024RGYTQ1	VQFN	RGY	24	250	180.0	12.4	3.8	5.8	1.2	8.0	12.0	Q1

TAPE AND REEL BOX DIMENSIONS


*All dimensions are nominal

Device	Package Type	Package Drawing	Pins	SPQ	Length (mm)	Width (mm)	Height (mm)
TLIN1024RGYRQ1	VQFN	RGY	24	3000	367.0	367.0	38.0
TLIN1024RGYTQ1	VQFN	RGY	24	250	213.0	191.0	35.0

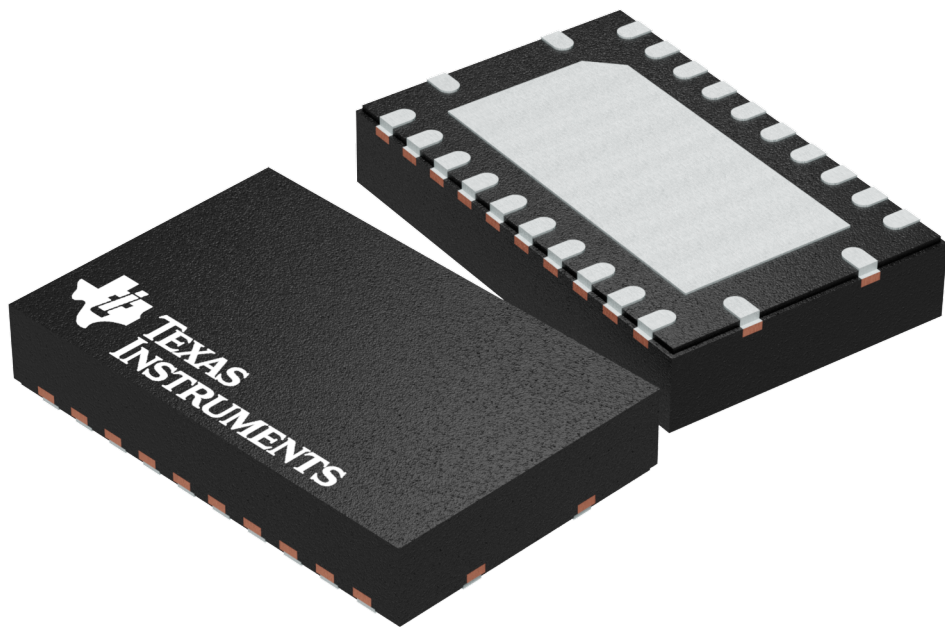
GENERIC PACKAGE VIEW

RGY 24

VQFN - 1 mm max height

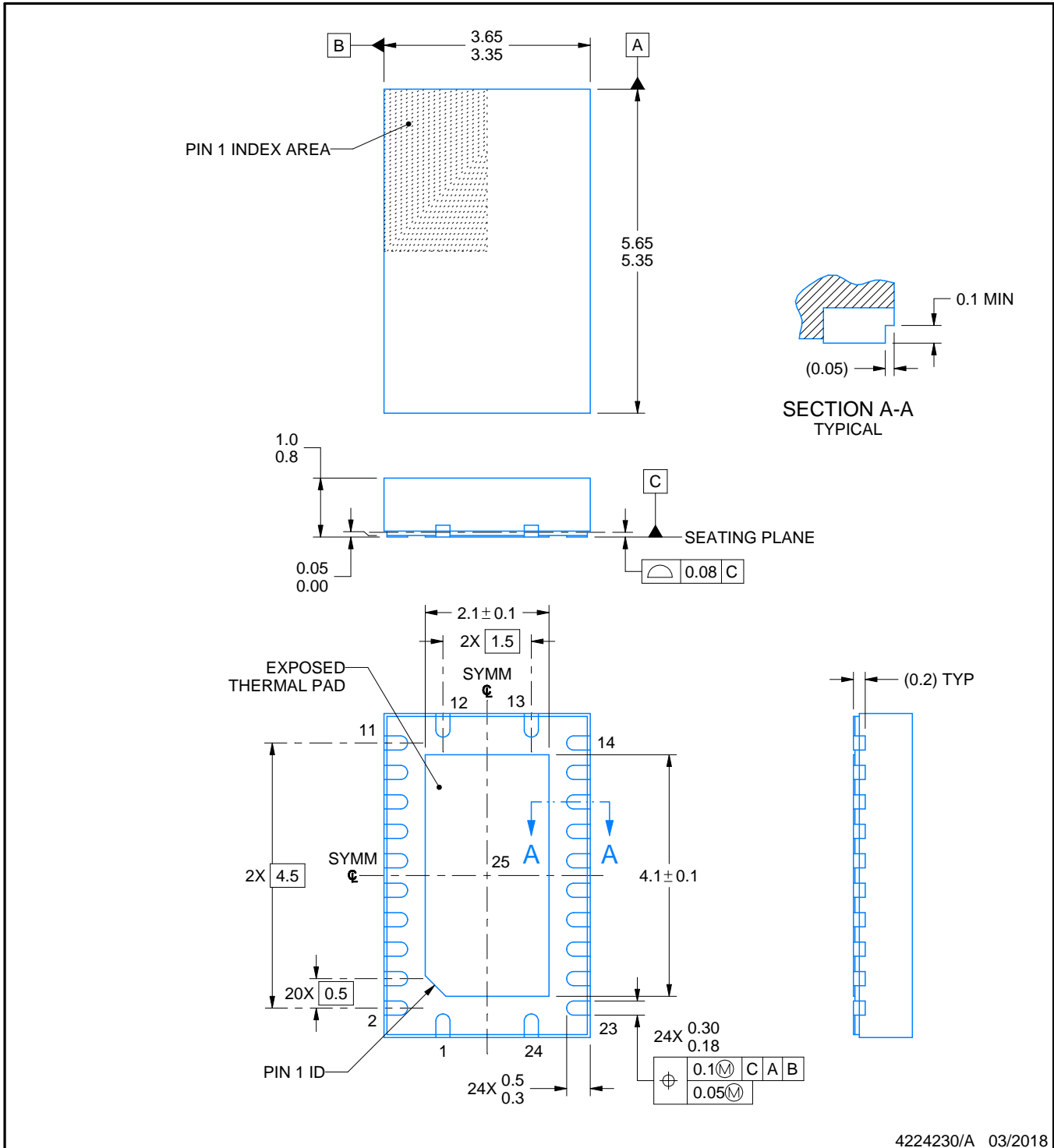
5.5 x 3.5 mm, 0.5 mm pitch

PLASTIC QUAD FLATPACK - NO LEAD



Images above are just a representation of the package family, actual package may vary.
Refer to the product data sheet for package details.

4203539-5/J



4224230/A 03/2018

NOTES:

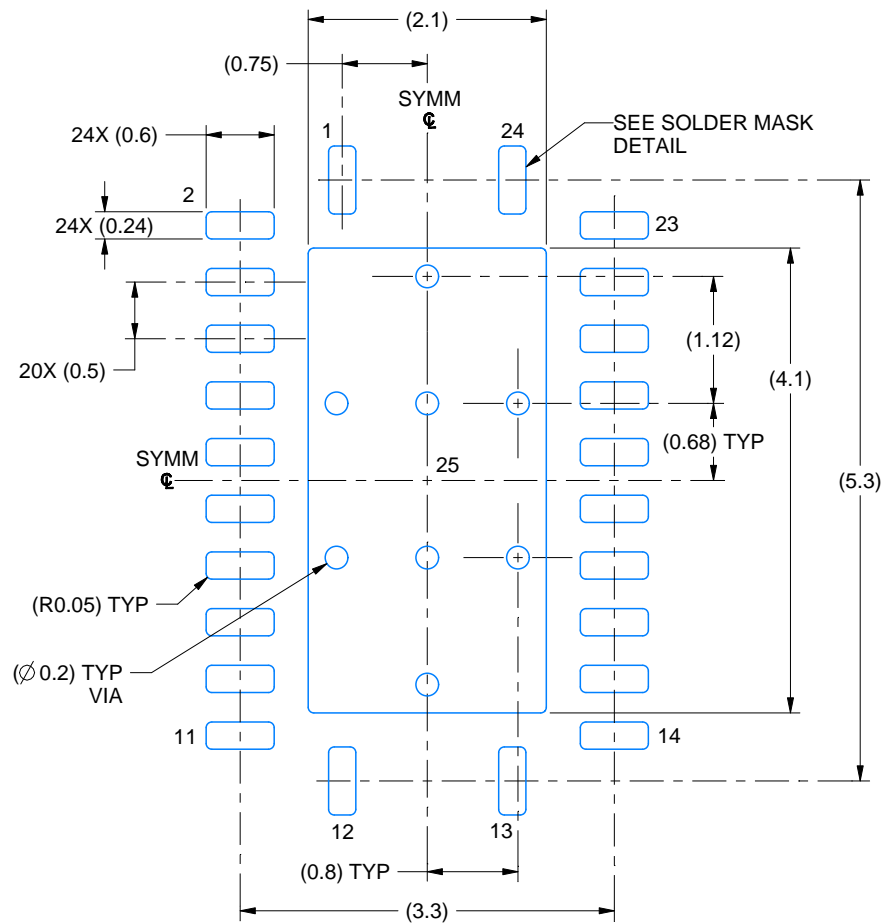
1. All linear dimensions are in millimeters. Any dimensions in parenthesis are for reference only. Dimensioning and tolerancing per ASME Y14.5M.
2. This drawing is subject to change without notice.
3. The package thermal pad must be soldered to the printed circuit board for thermal and mechanical performance.

EXAMPLE BOARD LAYOUT

RGY0024C

VQFN - 1 mm max height

PLASTIC QUAD FLATPACK - NO LEAD



LAND PATTERN EXAMPLE
EXPOSED METAL SHOWN
SCALE: 15X



4224230/A 03/2018

NOTES: (continued)

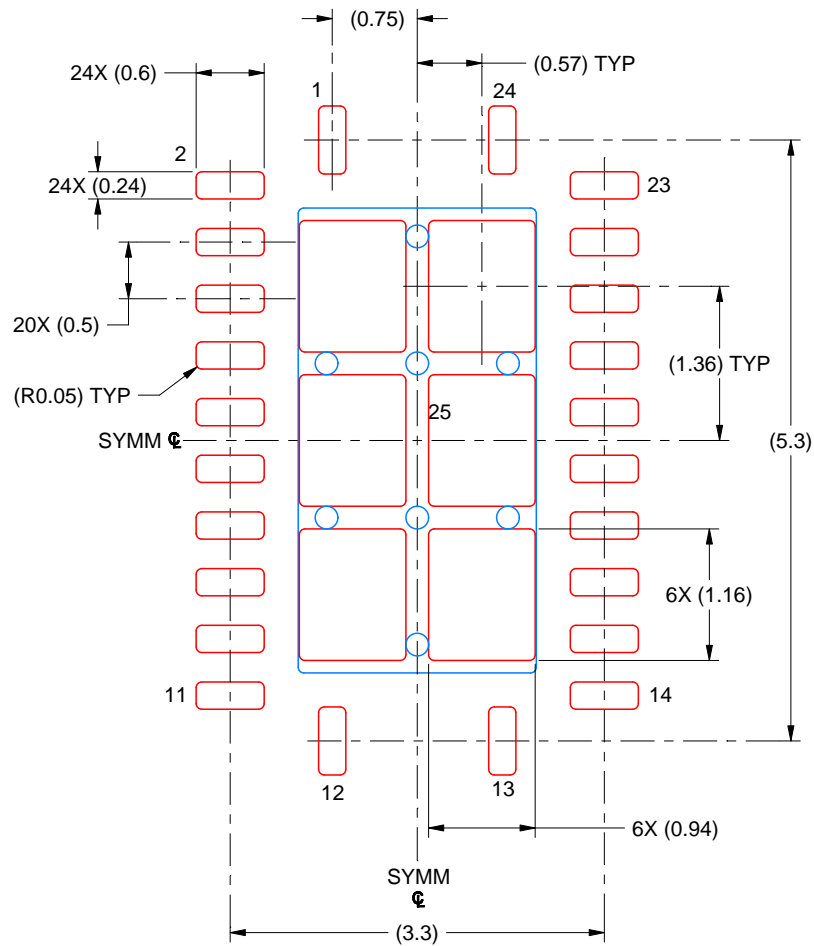
- This package is designed to be soldered to a thermal pad on the board. For more information, see Texas Instruments literature number SLUA271 (www.ti.com/lit/slua271).
- Vias are optional depending on application, refer to device data sheet. If any vias are implemented, refer to their locations shown on this view. It is recommended that vias under paste be filled, plugged or tented.

EXAMPLE STENCIL DESIGN

RGY0024C

VQFN - 1 mm max height

PLASTIC QUAD FLATPACK - NO LEAD



SOLDER PASTE EXAMPLE
BASED ON 0.125 MM THICK STENCIL
SCALE: 15X

EXPOSED PAD 25
76% PRINTED SOLDER COVERAGE BY AREA UNDER PACKAGE

4224230/A 03/2018

NOTES: (continued)

6. Laser cutting apertures with trapezoidal walls and rounded corners may offer better paste release. IPC-7525 may have alternate design recommendations.

重要声明和免责声明

TI“按原样”提供技术和可靠性数据（包括数据表）、设计资源（包括参考设计）、应用或其他设计建议、网络工具、安全信息和其他资源，不保证没有瑕疵且不做任何明示或暗示的担保，包括但不限于对适销性、某特定用途方面的适用性或不侵犯任何第三方知识产权的暗示担保。

这些资源可供使用 TI 产品进行设计的熟练开发人员使用。您将自行承担以下全部责任：(1) 针对您的应用选择合适的 TI 产品，(2) 设计、验证并测试您的应用，(3) 确保您的应用满足相应标准以及任何其他功能安全、信息安全、监管或其他要求。

这些资源如有变更，恕不另行通知。TI 授权您仅可将这些资源用于研发本资源所述的 TI 产品的应用。严禁对这些资源进行其他复制或展示。您无权使用任何其他 TI 知识产权或任何第三方知识产权。您应全额赔偿因在这些资源的使用中对 TI 及其代表造成的任何索赔、损害、成本、损失和债务，TI 对此概不负责。

TI 提供的产品受 [TI 的销售条款](#) 或 [ti.com](#) 上其他适用条款/TI 产品随附的其他适用条款的约束。TI 提供这些资源并不会扩展或以其他方式更改 TI 针对 TI 产品发布的适用的担保或担保免责声明。

TI 反对并拒绝您可能提出的任何其他或不同的条款。

邮寄地址：Texas Instruments, Post Office Box 655303, Dallas, Texas 75265

Copyright © 2022，德州仪器 (TI) 公司