

双通道高速差分线路驱动器

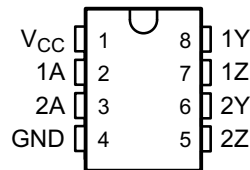
 查询样品: [uA9638C-EP](#)

特性

- 符合或者优于ANSI标准EIA/TIA-422-B
- 单一5V电源供电下运行
- 驱动负载低至50 Ω 高达15Mbps
- TTL- 和 CMOS-输入兼容性
- 输出短路保护
- 可与美国国家半导体公司 (National Semiconductor) 的™ DS9638 互换

支持国防, 航空航天, 和医疗应用

- 可控基线
- 一个组装/测试场所
- 一个制造场所
- 额定温度为-40°C 至 85°C
- 延长的产品生命周期
- 延长产品的变更通知周期
- 产品可追溯性

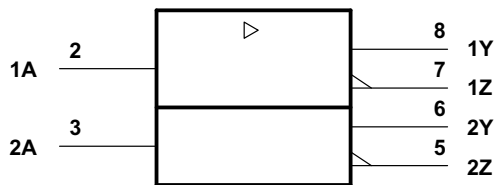
**D PACKAGE
(TOP VIEW)**


说明

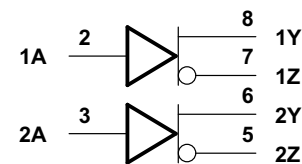
uA9638C是一款双通道高速差分线路驱动器, 设计满足ANSI标准EIA/TIA-422-B。此输入是TTL和CMOS兼容的并且具有输入钳位二极管。肖特基(Schottky)钳位二极管晶体管用于大大减少传播延迟时间。这个器件由一个单一5V电源供电并采用一个8引脚封装。

uA9638提供高速驱动低阻抗负载所需的电流。通常使用双绞线和差分接收器, 在设计正确的系统中, 基带数据速率传输可高达甚至超过14Mbps。uA9637A双线路接收器通常用作接收器。要在同样的引脚配置下获得更快的开关速度, 请见SN75ALS191。

uA9638C额定运行温度为-40°C 至 85°C。



This symbol is in accordance with ANSI/IEEE Std 91-1984 and IEC Publication 617-12.

Figure 1. Logic Symbol

Figure 2. Logic Diagram

ORDERING INFORMATION⁽¹⁾

T _A = T _J	PACKAGE		ORDERABLE PART NUMBER	TOP-SIDE MARKING	VID NUMBER
-40°C to 85°C	SOIC - D	Reel of 2500	UA9638CIDREP	9638I	V62/12606-10XE

(1) For the most current package and ordering information, see the Package Option Addendum at the end of this document, or see the TI web site at www.ti.com.



Please be aware that an important notice concerning availability, standard warranty, and use in critical applications of Texas Instruments semiconductor products and disclaimers thereto appears at the end of this data sheet.

美国国家半导体公司 (National Semiconductor) 的 is a trademark of National Semiconductor Corporation.

SCHEMATICS OF INPUTS AND OUTPUTS

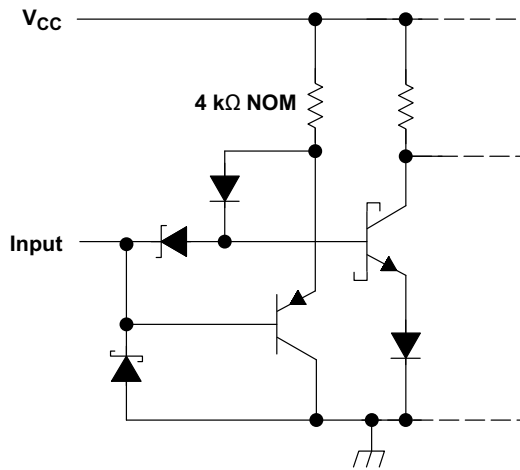


Figure 3. Equivalent of Each Input

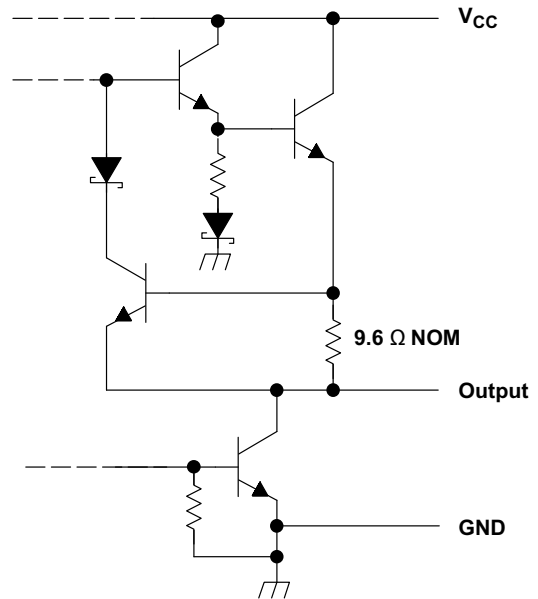


Figure 4. Typical of All Inputs

ABSOLUTE MAXIMUM RATINGS ⁽¹⁾

over operating free-air temperature range (unless otherwise noted)

V_{CC}	Supply voltage range ⁽²⁾	-0.5 V to 7 V
V_I	Input voltage range	-0.5 V to 7 V
	Continuous total power dissipation	See Dissipation Ratings Table
	Lead temperature 1,6 mm (1/16 inch) from 10 seconds	260°C
T_A	Operating free-air temperature range	-40°C to 85°C
T_{stg}	Storage temperature range	-65°C to 150°C

- (1) Voltage values except differential output voltages are with respect to network GND.
- (2) Stresses beyond those listed under *absolute maximum ratings* may cause permanent damage to the device. These are stress ratings only, and functional operation of the device at these or any other conditions beyond those indicated under *recommended operating conditions* is not implied. Exposure to absolute-maximum-rated conditions for extended periods may affect device reliability.

THERMAL INFORMATION

THERMAL METRIC ⁽¹⁾		uA9638C		UNITS
		D		
		8 PINS		
θ_{JA}	Junction-to-ambient thermal resistance ⁽²⁾	114.3		°C/W
θ_{JC}	Junction-to-case thermal resistance	59.1		
θ_{JB}	Junction-to-board thermal resistance ⁽³⁾	55.3		
ψ_{JT}	Junction-to-top characterization parameter ⁽⁴⁾	12.7		
ψ_{JB}	Junction-to-board characterization parameter ⁽⁵⁾	54.7		

- (1) 有关传统和新的热度的更多信息，请参阅 *IC* 封装热量应用报告 [SPRA953](#)。
- (2) 在 JESD51-2a 描述的环境中，按照 JESD51-7 的指定在一个 JEDEC 标准 high-K 测试电路板上进行仿真，从而获得自然对流条件下的结到外部热阻。
- (3) 按照 JESD51-8 中的说明，通过在配有用于控制 PCB 温度的环形冷板夹具的环境中进行仿真，以获得结到电路板热阻。
- (4) 结到顶部的表征参数 (ψ_{JT}) 估算真实系统中器件的结温，并使用 JESD51-2a (第 6 章和第 7 章) 中描述的程序从得到 θ_{JA} 的仿真数据中提取出该参数。
- (5) 结到电路板的表征参数 (ψ_{JB}) 估算真实系统中器件的结温，并使用 JESD51-2a (第 6 章和第 7 章) 中描述的程序从得到 θ_{JA} 的仿真数据中提取出该参数。

DISSIPATION RATINGS

PACKAGE	POWER RATING $T_A = 25^\circ\text{C}$ (mW)	DERATING FACTOR $T_A > 70^\circ\text{C}$ (mW/°C)	POWER RATING $T_A = 85^\circ\text{C}$ (mW)
D	725	8.75	199

RECOMMENDED OPERATING CONDITIONS

over operating free-air temperature range (unless otherwise noted)

	MIN	NOM	MAX	UNIT
V_{CC} Supply voltage	4.75	5	5.25	V
V_{IH} High-level input voltage	2			V
V_{IL} Low-level input voltage			0.8	V
I_{OH} High-level output current			-50	mA
I_{OL} Low-level output current			50	mA
T_A Operating free-air temperature	-40		85	°C

ELECTRICAL CHARACTERISTICS

over operating free-air temperature range (unless otherwise noted)

PARAMETER	TEST CONDITIONS	MIN	TYP ⁽¹⁾	MAX	UNIT
V_{IK} Input clamp voltage	$V_{CC} = 4.75\text{ V}$, $I_I = -18\text{ mA}$		-1	-1.2	V
V_{OH} High level output voltage	$V_{CC} = 4.75\text{ V}$, $V_{IH} = 2\text{ V}$, $V_{IL} = 0.8\text{ V}$	$I_{OH} = -10\text{ mA}$ $I_{OH} = -40\text{ mA}$	2.5 3.5		V
V_{OL} Low level output voltage	$V_{CC} = 4.75\text{ V}$, $V_{IH} = 2\text{ V}$, $V_{IL} = 0.8\text{ V}$, $I_{OL} = 40\text{ mA}$			0.5	V
$ V_{OD1} $ Magnitude of differential output voltage	$V_{CC} = 5.25\text{ V}$, $I_O = 0\text{ A}$		$1.25 \times V_{OD2}$		V
$ V_{OD2} $ Magnitude of differential output voltage	$V_{CC} = 4.75\text{ V}$ to 5.25 V , $R_L = 100\ \Omega$, See Figure 5	2			V
$\Delta V_{OD} $ Change in magnitude of differential output voltage ⁽²⁾	$V_{CC} = 4.75\text{ V}$ to 5.25 V , $R_L = 100\ \Omega$, See Figure 5			± 0.4	V
V_{OC} Common-mode output voltage ⁽³⁾	$V_{CC} = 4.75\text{ V}$ to 5.25 V , $R_L = 100\ \Omega$, See Figure 5			3	V

- (1) All typical values are at $V_{CC} = 5\text{ V}$ and $T_A = 25^\circ\text{C}$.
- (2) $\Delta|V_{OD}|$ and $\Delta|V_{OC}|$ are the changes in magnitude of V_{OD} and V_{OC} , respectively, that occur when the input is changed from a high level to a low level or vice versa.
- (3) In Standard EIA-422-A, V_{OC} , which is the average of the two output voltages with respect to ground, is called output offset voltage, V_{OS} .

ELECTRICAL CHARACTERISTICS (continued)

over operating free-air temperature range (unless otherwise noted)

PARAMETER	TEST CONDITIONS	MIN	TYP ⁽¹⁾	MAX	UNIT
$\Delta V_{oc} $	Change in magnitude of common-mode output voltage ⁽²⁾ $V_{CC} = 4.75 \text{ V to } 5.25 \text{ V}, R_L = 100 \Omega$, See Figure 5			± 0.4	V
I_O	Output current with power off $V_{CC} = 0 \text{ V}$	$V_O = 6 \text{ V}$	0.1	100	μA
		$V_O = -0.25 \text{ V}$	-0.1	-100	
		$V_O = -0.25 \text{ V to } 6 \text{ V}$		± 100	
I_I	Input current $V_{CC} = 5.25 \text{ V}, V_I = 5.5 \text{ V}$			50	μA
I_{IH}	High-level input current $V_{CC} = 5.25 \text{ V}, V_I = 2.7 \text{ V}$			25	μA
I_{IL}	Low-level input current $V_{CC} = 5.25 \text{ V}, V_I = 0.5 \text{ V}$			-200	μA
I_{OS}	Short-circuit output current ⁽⁴⁾ $V_{CC} = 5.25 \text{ V}, V_O = 0 \text{ V}$	-50		-150	mA
I_{CC}	Supply current (both drivers) $V_{CC} = 5.25 \text{ V}, \text{ No load, All inputs at } 0 \text{ V}$		45	65	mA

(4) Only one output at a time should be shorted, and duration of the short circuit should not exceed one second.

SWITCHING CHARACTERISTICS

$V_{CC} = 5 \text{ V}, T_A = 25^\circ\text{C}$ (unless otherwise noted)

PARAMETER	TEST CONDITIONS	MIN	TYP	MAX	UNIT
$t_{d(OD)}$	Differential output delay time $C_L = 15 \text{ pF}, R_L = 100 \Omega$, See Figure 6		10		ns
$t_{t(OD)}$	Differential output transition time $C_L = 15 \text{ pF}, R_L = 100 \Omega$, See Figure 6		10		ns
$t_{sk(o)}$	Output skew See Figure 6		1		ns

PARAMETER MEASUREMENT INFORMATION

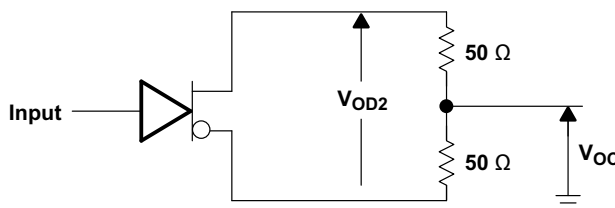
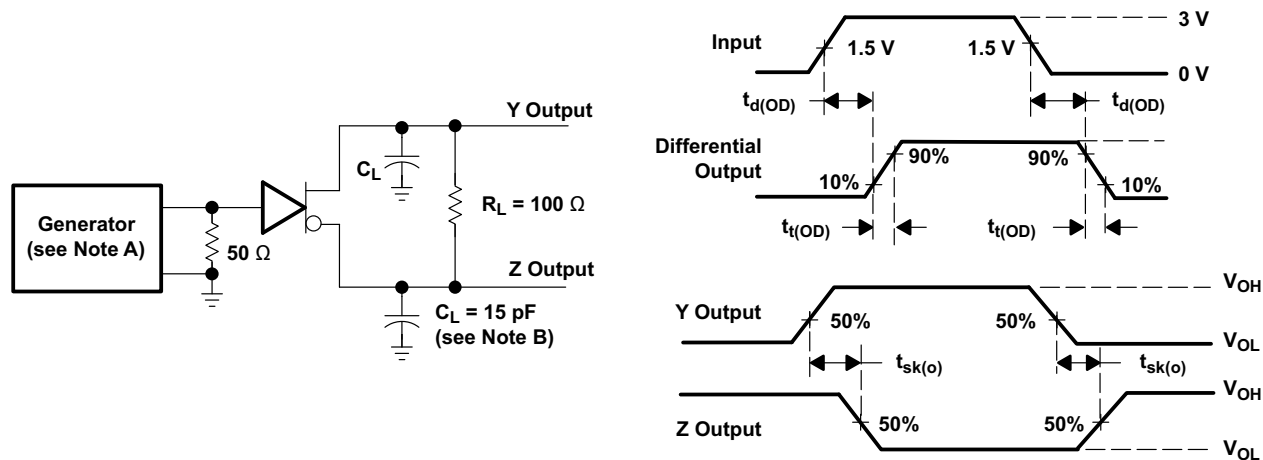


Figure 5. Differential and Common-Mode Output Voltages



TEST CIRCUIT

VOLTAGE WAVEFORMS

- A. The input pulse generator has the following characteristics: $Z_O = 50 \Omega, \text{ PRR} \leq 500 \text{ kHz}, t_w = 100 \text{ ns}, t_r \leq 5 \text{ ns}$.
- B. C_L includes probe and jig capacitance.

Figure 6. Test Circuit and Voltage Waveforms

PACKAGING INFORMATION

Orderable Device	Status (1)	Package Type	Package Drawing	Pins	Package Qty	Eco Plan (2)	Lead finish/ Ball material (6)	MSL Peak Temp (3)	Op Temp (°C)	Device Marking (4/5)	Samples
UA9638CIDREP	ACTIVE	SOIC	D	8	2500	RoHS & Green	NIPDAU	Level-2-260C-1 YEAR	-40 to 85	9638I	Samples
V62/12606-01XE	ACTIVE	SOIC	D	8	2500	RoHS & Green	NIPDAU	Level-2-260C-1 YEAR	-40 to 85	9638I	Samples

(1) The marketing status values are defined as follows:

ACTIVE: Product device recommended for new designs.

LIFEBUY: TI has announced that the device will be discontinued, and a lifetime-buy period is in effect.

NRND: Not recommended for new designs. Device is in production to support existing customers, but TI does not recommend using this part in a new design.

PREVIEW: Device has been announced but is not in production. Samples may or may not be available.

OBSOLETE: TI has discontinued the production of the device.

(2) **RoHS:** TI defines "RoHS" to mean semiconductor products that are compliant with the current EU RoHS requirements for all 10 RoHS substances, including the requirement that RoHS substance do not exceed 0.1% by weight in homogeneous materials. Where designed to be soldered at high temperatures, "RoHS" products are suitable for use in specified lead-free processes. TI may reference these types of products as "Pb-Free".

RoHS Exempt: TI defines "RoHS Exempt" to mean products that contain lead but are compliant with EU RoHS pursuant to a specific EU RoHS exemption.

Green: TI defines "Green" to mean the content of Chlorine (Cl) and Bromine (Br) based flame retardants meet JS709B low halogen requirements of <=1000ppm threshold. Antimony trioxide based flame retardants must also meet the <=1000ppm threshold requirement.

(3) MSL, Peak Temp. - The Moisture Sensitivity Level rating according to the JEDEC industry standard classifications, and peak solder temperature.

(4) There may be additional marking, which relates to the logo, the lot trace code information, or the environmental category on the device.

(5) Multiple Device Markings will be inside parentheses. Only one Device Marking contained in parentheses and separated by a "~" will appear on a device. If a line is indented then it is a continuation of the previous line and the two combined represent the entire Device Marking for that device.

(6) Lead finish/Ball material - Orderable Devices may have multiple material finish options. Finish options are separated by a vertical ruled line. Lead finish/Ball material values may wrap to two lines if the finish value exceeds the maximum column width.

Important Information and Disclaimer:The information provided on this page represents TI's knowledge and belief as of the date that it is provided. TI bases its knowledge and belief on information provided by third parties, and makes no representation or warranty as to the accuracy of such information. Efforts are underway to better integrate information from third parties. TI has taken and continues to take reasonable steps to provide representative and accurate information but may not have conducted destructive testing or chemical analysis on incoming materials and chemicals. TI and TI suppliers consider certain information to be proprietary, and thus CAS numbers and other limited information may not be available for release.

In no event shall TI's liability arising out of such information exceed the total purchase price of the TI part(s) at issue in this document sold by TI to Customer on an annual basis.

TAPE AND REEL INFORMATION

QUADRANT ASSIGNMENTS FOR PIN 1 ORIENTATION IN TAPE


*All dimensions are nominal

Device	Package Type	Package Drawing	Pins	SPQ	Reel Diameter (mm)	Reel Width W1 (mm)	A0 (mm)	B0 (mm)	K0 (mm)	P1 (mm)	W (mm)	Pin1 Quadrant
UA9638CIDREP	SOIC	D	8	2500	330.0	12.4	6.4	5.2	2.1	8.0	12.0	Q1

TAPE AND REEL BOX DIMENSIONS


*All dimensions are nominal

Device	Package Type	Package Drawing	Pins	SPQ	Length (mm)	Width (mm)	Height (mm)
UA9638CIDREP	SOIC	D	8	2500	340.5	336.1	25.0



D0008A

PACKAGE OUTLINE

SOIC - 1.75 mm max height

SMALL OUTLINE INTEGRATED CIRCUIT



4214825/C 02/2019

NOTES:

- Linear dimensions are in inches [millimeters]. Dimensions in parenthesis are for reference only. Controlling dimensions are in inches. Dimensioning and tolerancing per ASME Y14.5M.
- This drawing is subject to change without notice.
- This dimension does not include mold flash, protrusions, or gate burrs. Mold flash, protrusions, or gate burrs shall not exceed .006 [0.15] per side.
- This dimension does not include interlead flash.
- Reference JEDEC registration MS-012, variation AA.

EXAMPLE BOARD LAYOUT

D0008A

SOIC - 1.75 mm max height

SMALL OUTLINE INTEGRATED CIRCUIT



LAND PATTERN EXAMPLE
EXPOSED METAL SHOWN
SCALE:8X



SOLDER MASK DETAILS

4214825/C 02/2019

NOTES: (continued)

6. Publication IPC-7351 may have alternate designs.

7. Solder mask tolerances between and around signal pads can vary based on board fabrication site.

EXAMPLE STENCIL DESIGN

D0008A

SOIC - 1.75 mm max height

SMALL OUTLINE INTEGRATED CIRCUIT



SOLDER PASTE EXAMPLE
BASED ON .005 INCH [0.125 MM] THICK STENCIL
SCALE:8X

4214825/C 02/2019

NOTES: (continued)

8. Laser cutting apertures with trapezoidal walls and rounded corners may offer better paste release. IPC-7525 may have alternate design recommendations.
9. Board assembly site may have different recommendations for stencil design.

重要声明和免责声明

TI 提供技术和可靠性数据（包括数据表）、设计资源（包括参考设计）、应用或其他设计建议、网络工具、安全信息和其他资源，不保证没有瑕疵且不做任何明示或暗示的担保，包括但不限于对适销性、某特定用途方面的适用性或不侵犯任何第三方知识产权的暗示担保。

这些资源可供使用 TI 产品进行设计的熟练开发人员使用。您将自行承担以下全部责任：(1) 针对您的应用选择合适的 TI 产品，(2) 设计、验证并测试您的应用，(3) 确保您的应用满足相应标准以及任何其他安全、安保或其他要求。这些资源如有变更，恕不另行通知。TI 授权您仅可将这些资源用于研发本资源所述的 TI 产品的应用。严禁对这些资源进行其他复制或展示。您无权使用任何其他 TI 知识产权或任何第三方知识产权。您应全额赔偿因在这些资源的使用中对 TI 及其代表造成的任何索赔、损害、成本、损失和债务，TI 对此概不负责。

TI 提供的产品受 TI 的销售条款 (<https://www.ti.com.cn/zh-cn/legal/termsofsale.html>) 或 [ti.com.cn](https://www.ti.com.cn) 上其他适用条款/TI 产品随附的其他适用条款的约束。TI 提供这些资源并不会扩展或以其他方式更改 TI 针对 TI 产品发布的适用的担保或担保免责声明。

邮寄地址：上海市浦东新区世纪大道 1568 号中建大厦 32 楼，邮政编码：200122
Copyright © 2021 德州仪器半导体技术（上海）有限公司