

具有两个 MIPI CSI-2 端口的 DS90UB960-Q1 四路 4.16Gbps FPD-Link III 解串器集线器

1 特性

- 符合面向汽车应用的 AEC-Q100 标准：
 - 器件温度等级 2: -40°C 至 $+105^{\circ}\text{C}$ 工作环境温度范围
- 四路 4.16Gbps 解串器集线器同时从最多 4 个传感器聚合数据
- 支持 200 万像素传感器，可在 60Hz 帧速率下支持全高清 1080p 分辨率
- 精确多摄像头同步
- 符合 MIPI DPHY 版本 1.2/CSI-2 版本 1.3 标准
 - 2 个 MIPI CSI-2 输出端口
 - 每个 CSI-2 端口支持 1、2、3、4 个数据通道
 - CSI-2 数据速率可扩展：每个数据通道支持 400Mbps/800Mbps/1.2Gbps/1.5Gbps/1.6Gbps
 - 端口复制模式
- 超低数据和控制路径延迟
- 支持单端同轴（包括电缆供电 (PoC)）或屏蔽双绞线 (STP) 电缆
- 自适应接收均衡
- 具有快速模式增强版（高达 1Mbps）的双 I2C 端口
- 用于传感器同步和诊断的灵活 GPIO
- 与 DS90UB953-Q1、DS90UB935-Q1、DS90UB933-Q1、DS90UB913A-Q1 串行器兼容
- 内部可编程精密帧同步发生器
- 线路故障检测和高级诊断

2 应用

- 汽车 ADAS
 - 后视摄像头 (RVC)
 - 环视系统 (SVS)
 - 摄像头监控系统 (CMS)
 - 前视摄像头 (FC)
 - 驾驶员监控系统 (DMS)
 - 卫星雷达、飞行时间 (ToF) 和激光雷达传感器模块
 - 传感器融合
- 安全和监控

3 说明

DS90UB960-Q1 是一款多功能传感器集线器，可通过 FPD-Link III 接口收集从 4 个独立视频数据流接收到的串行传感器数据。与 DS90UB953-Q1 串行器搭配使用时，DS90UB960-Q1 可接收来自传感器（例如可在 60Hz 帧速率下支持全高清 1080p/2MP 分辨率的成像器）的数据。接收的数据将聚合至符合 MIPI CSI-2 标准并与下游处理器互连的输出端。该器件还配有第二个 MIPI CSI-2 输出端口，可提供额外带宽或提供第二个复制输出以便进行数据记录和并行处理。

DS90UB960-Q1 包括 4 个 FPD-Link III 解串器，每个均支持通过具有成本效益的 50Ω 单端同轴或 100Ω 差分 STP 电缆进行连接。接收均衡器会自动适应以补偿电缆损耗特性，包括随时间推移而出现的劣化。

每个 FPD-Link III 接口还包括一个单独的低延迟双向控制通道，该通道可连续传送 I2C、GPIO 和其他控制信息。通用 I/O 信号（如摄像头同步和诊断功能所需的信号）也会利用此双向控制通道。

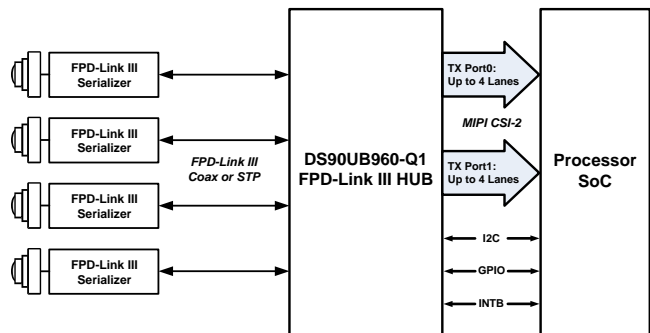
DS90UB960-Q1 符合适用于汽车应用的 AEC-Q100 标准，并采用具有成本效益且节省空间的 64 引脚 VQFN 封装。

器件信息(1)

| 器件型号 | 封装 | 封装尺寸 (标称值) |
|--------------|-----------|-----------------|
| DS90UB960-Q1 | VQFN (64) | 9.00mm x 9.00mm |

(1) 如需了解所有可用封装，请参阅产品说明书末尾的可订购产品附录。

典型应用原理图



目录

| | | | | | |
|----------|--|-----------|-----------|---|------------|
| 1 | 特性 | 1 | 7.5 | Programming | 52 |
| 2 | 应用 | 1 | 7.6 | Register Maps | 69 |
| 3 | 说明 | 1 | 8 | Application and Implementation | 147 |
| 4 | 修订历史记录 | 2 | 8.1 | Application Information | 147 |
| 5 | Pin Configuration and Functions | 3 | 8.2 | Typical Application | 151 |
| 6 | Specifications | 7 | 8.3 | System Examples | 154 |
| 6.1 | Absolute Maximum Ratings | 7 | 9 | Power Supply Recommendations | 158 |
| 6.2 | ESD Ratings | 7 | 9.1 | VDD Power Supply | 158 |
| 6.3 | Recommended Operating Conditions | 8 | 9.2 | Power-Up Sequencing | 158 |
| 6.4 | Thermal Information | 8 | 10 | Layout | 161 |
| 6.5 | DC Electrical Characteristics | 8 | 10.1 | Layout Guidelines | 161 |
| 6.6 | AC Electrical Characteristics | 12 | 10.2 | Layout Example | 163 |
| 6.7 | CSI-2 Timing Specifications | 13 | 11 | 器件和文档支持 | 167 |
| 6.8 | Recommended Timing for the Serial Control Bus .. | 17 | 11.1 | 文档支持 | 167 |
| 6.9 | Typical Characteristics | 22 | 11.2 | 接收文档更新通知 | 167 |
| 7 | Detailed Description | 23 | 11.3 | 社区资源 | 167 |
| 7.1 | Overview | 23 | 11.4 | 商标 | 167 |
| 7.2 | Functional Block Diagram | 24 | 11.5 | 静电放电警告 | 167 |
| 7.3 | Feature Description | 24 | 11.6 | 术语表 | 167 |
| 7.4 | Device Functional Modes | 24 | 12 | 机械、封装和可订购信息 | 167 |

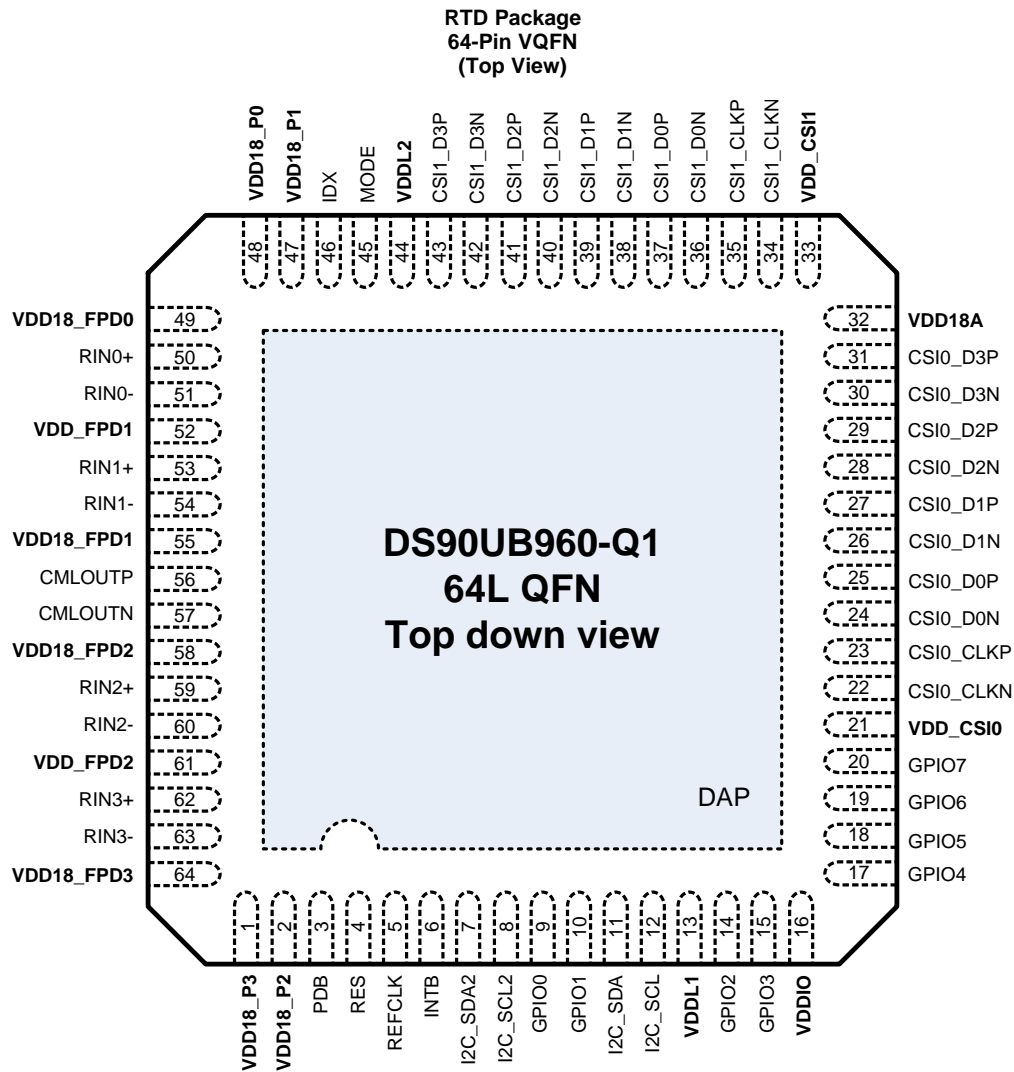
4 修订历史记录

注：之前版本的页码可能与当前版本有所不同。

| Changes from Revision A (Febuary 2018) to Revision B | Page |
|--|------|
| • 将器件和数据表状态由受限制的“预告信息”发布改成了公开“生产数据” | 1 |

| Changes from Original (September 2016) to Revision A | Page |
|---|------|
| • 将器件状态从“生成数据”更改为“预告信息” | 1 |
| • 将工作环境温度范围由 -40°C 至 +115°C 更改成了 -40°C 至 +105°C | 1 |
| • Combined the <i>ESD Ratings - JEDEC</i> and <i>ESD Ratings - IEC and ISO</i> tables into one table | 7 |
| • Removed I2C pullup voltage and maximum allowable POC noise parameter from the <i>Recommended Operating Conditions</i> table | 8 |
| • Changed the maximum operating free-air temperature from: 115°C to: 105°C | 8 |
| • Added a maximum value for the reference clock frequency | 8 |
| • Added test conditions for the total power consumption in operation mode | 8 |
| • Changed the I _{DDT1} and I _{DDT2} parameters and added the I _{DDT3} parameter | 9 |
| • Changed test conditions for the high and low level output voltages | 11 |
| • Removed tablenote for the <i>Recommended Timing for the Serial Control Bus</i> table | 18 |

5 Pin Configuration and Functions



Pin Functions

| PIN | | I/O TYPE | DESCRIPTION |
|----------------------------------|-----|-------------|--|
| NAME | NO. | | |
| MIPI CSI-2 TX INTERFACE | | | |
| CSI0_CLKN | 22 | O | CSI-2 TX Port 0 differential clock output pins. Leave unused pins as No Connect. |
| CSI0_CLKP | 23 | | |
| CSI0_D0N | 24 | | CSI-2 TX Port 0 differential data output pins. Use CSI_PORT_SEL (See Table 71), CSI_CTL (See Table 72), and CSI_CTL2 (See Table 73) registers for the CSI-2 TX control. Leave unused pins as No Connect. |
| CSI0_D0P | 25 | | |
| CSI0_D1N | 26 | | |
| CSI0_D1P | 27 | | |
| CSI0_D2N | 28 | | |
| CSI0_D2P | 29 | | |
| CSI0_D3N | 30 | | |
| CSI0_D3P | 31 | | |
| CSI1_CLKN | 34 | O | CSI-2 TX Port 1 differential clock output pins. Leave unused pins as No Connect. |
| CSI1_CLKP | 35 | | |
| CSI1_D0N | 36 | | CSI-2 TX Port 1 differential data output pins. Use CSI_PORT_SEL (See Table 71), CSI_CTL (See Table 72), and CSI_CTL2 (See Table 73) registers for the CSI-2 TX control. Leave unused pins as No Connect. |
| CSI1_D0P | 37 | | |
| CSI1_D1N | 38 | | |
| CSI1_D1P | 39 | | |
| CSI1_D2N | 40 | | |
| CSI1_D2P | 41 | | |
| CSI1_D3N | 42 | | |
| CSI1_D3P | 43 | | |
| FPD-LINK III RX INTERFACE | | | |
| RIN0+ | 50 | I/O | FPD-Link III RX Port 0 pins. The port receives FPD-Link III high-speed forward channel video and control data and transmits back channel control data. It can interface with a compatible FPD-Link III serializer TX through a STP or coaxial cable (See Figure 44 and Figure 45). It must be AC-coupled per Table 265 . If port is unused, set RX_PORT_CTL register bit 0 to 0 to disable RX Port 0 (See Table 33) and leave the pins as No Connect. |
| RIN0- | 51 | | |
| RIN1+ | 53 | | FPD-Link III RX Port 1 pins. The port receives FPD-Link III high-speed forward channel video and control data and transmits back channel control data. It can interface with a compatible FPD-Link III serializer TX through a STP or coaxial cable (See Figure 44 and Figure 45). It must be AC-coupled per Table 265 . If port is unused, set RX_PORT_CTL register bit 1 to 0 to disable RX Port 1 (See Table 33) and leave the pins as No Connect. |
| RIN1- | 54 | | |
| RIN2+ | 59 | | FPD-Link III RX Port 2 pins. The port receives FPD-Link III high-speed forward channel video and control data and transmits back channel control data. It can interface with a compatible FPD-Link III serializer TX through a STP or coaxial cable (See Figure 44 and Figure 45). It must be AC-coupled per Table 265 . If port is unused, set RX_PORT_CTL register bit 2 to 0 to disable RX Port 2 (See Table 33) and leave the pins as No Connect. |
| RIN2- | 60 | | |
| RIN3+ | 62 | | FPD-Link III RX Port 3 pins. The port receives FPD-Link III high-speed forward channel video and control data and transmits back channel control data. It can interface with a compatible FPD-Link III serializer TX through a STP or coaxial cable (See Figure 44 and Figure 45). It must be AC-coupled per Table 265 . If port is unused, set RX_PORT_CTL register bit 3 to 0 to disable RX Port 3 (See Table 33) and leave the pins as No Connect. |
| RIN3- | 63 | | |

Pin Functions (continued)

| PIN | | I/O TYPE | DESCRIPTION |
|--|----------|-------------|---|
| NAME | NO. | | |
| SYNCHRONIZATION AND GENERAL-PURPOSE I/O | | | |
| GPIO0 | 9 | I/O, PD | General-Purpose Input/Output pins. The pins can be used to control and respond to various commands. They may be configured to be input signals for the corresponding GPIOs on the serializer or they may be configured to be outputs to follow local register settings. At power up, the GPIO pins are disabled and by default include a pull-down resistor (25-kΩ typ). See GPIO Support for programmability. If unused, leave the pin as No Connect. |
| GPIO1 | 10 | | |
| GPIO2 | 14 | | |
| GPIO3 | 15 | | |
| GPIO4 | 17 | | |
| GPIO5 | 18 | | |
| GPIO6 | 19 | | |
| GPIO7 | 20 | | |
| INTB | 6 | O, OD | Interrupt Output pin. INTB is an active-low open drain and controlled by the status registers. See Interrupt Support . Recommend a 4.7-kΩ Pullup to to 1.8 V or 3.3 V. If unused, leave the pin as No Connect. |
| SERIAL CONTROL BUS (I2C) | | | |
| I2C_SCL | 12 | I/O, OD | Primary I2C Clock Input / Output interface pin. See Serial Control Bus . Recommend a 2.2 kΩ to 4.7 kΩ Pullup ⁽¹⁾ to 1.8 V or 3.3 V. |
| I2C_SDA | 11 | I/O, OD | Primary I2C Data Input / Output interface pin. See Serial Control Bus . Recommend a 2.2 kΩ to 4.7 kΩ Pullup ⁽¹⁾ to 1.8 V or 3.3 V. |
| I2C_SCL2 | 8 | I/O, OD | Secondary I2C Clock Input / Output interface pin. See Second I2C Port . Recommend a 2.2-kΩ to 4.7-kΩ Pullup ⁽¹⁾ to 1.8 V or 3.3 V. |
| I2C_SDA2 | 7 | I/O, OD | Secondary I2C Data Input / Output interface pin. See Second I2C Port . Recommend a 2.2-kΩ to 4.7-kΩ Pullup ⁽¹⁾ to 1.8 V or 3.3 V. |
| CONFIGURATION AND CONTROL | | | |
| IDX | 46 | S | I2C Serial Control Bus Device ID Address Select configuration pin. Connect to an external pullup to VDD18 and a pull-down to GND to create a voltage divider. See Table 18 . |
| MODE | 45 | S | Mode Select configuration pin. Connect to external pullup to VDD18 and a pull-down to GND to create a voltage divider. See Table 2 . |
| PDB | 3 | I, PD | Inverted Power-Down input pin. Typically connected to a processor GPIO with a pull-down. When PDB input is brought HIGH, the device is enabled and internal registers and state machines are reset to default values. Asserting PDB signal low will power down the device and consume minimum power. The default function of this pin is PDB = LOW; POWER DOWN with an internal 50-kΩ internal pull-down enabled. PDB should remain low until after power supplies are applied and reach minimum required levels. See VDD Power Supply . INPUT IS 3.3-V TOLERANT PDB = 1.8 V, device is enabled (normal operation) PDB = 0 V, device is powered down. |
| POWER AND GROUND | | | |
| VDDIO | 16 | P | 1.8-V (±5%) OR 3.3-V (±10%) LVCMOS I/O Power Requires 1-μF and 0.1-μF or 0.01-μF capacitors to GND. |
| VDD_CS10 VDD_CS11 | 21 33 | P | 1.1-V (±5%) Power Supplies Requires 0.1-μF or 0.01-μF capacitors to GND at each VDD pin. Additional 1-μF and 10-μF decoupling is recommended for the pin group. |
| VDDL1 VDDL2 | 13 44 | P | 1.1-V (±5%) Power Supplies Requires 0.1-μF or 0.01-μF capacitors to GND at each VDD pin. Additional 1-μF and 10-μF decoupling is recommended for the pin group. |
| VDD_FPD1 VDD_FPD2 | 52 61 | P | 1.1-V (±5%) Power Supplies Requires 0.1-μF or 0.01-μF capacitors to GND at each VDD pin. Additional 1-μF and 10-μF decoupling is recommended for the pin group. |

(1) Optimum Pullup Resistor (RPU) value depends on the I2C mode of operation, refer to [I2C Bus Pullup Resistor Calculation](#) (SLVA689)

Pin Functions (continued)

| PIN | | I/O TYPE | DESCRIPTION |
|---------------|-----|-------------|---|
| NAME | NO. | | |
| VDD18_P2 | 2 | P | 1.8-V (±5%) Power Supplies Requires 0.1-μF or 0.01-μF capacitors to GND at each VDD pin. Additional 1-μF, and 10-μF decoupling is recommended for the pin group. |
| VDD18_P3 | 1 | | |
| VDD18_P1 | 47 | | |
| VDD18_P0 | 48 | | |
| VDD18A | 32 | P | 1.8-V (±5%) Power Supplies Requires 0.1-μF or 0.01-μF capacitors to GND at each VDD pin. Additional 1-μF, and 10-μF decoupling is recommended for the pin group. |
| VDD18_FPD0 | 49 | P | 1.8-V (±5%) Power Supplies Requires 0.1-μF or 0.01-μF capacitors to GND at each VDD pin. Additional 1-μF, and 10-μF decoupling is recommended for the pin group. |
| VDD18_FPD1 | 55 | | |
| VDD18_FPD2 | 58 | | |
| VDD18_FPD3 | 64 | | |
| GND | DAP | G | DAP is the large metal contact at the bottom side, located at the center of the VQFN package. Connect to the ground plane (GND). |
| OTHERS | | | |
| REFCLK | 5 | I | Reference clock oscillator input. Typically connected to a 23-MHz to 26-MHz LVCMOS-level oscillator (100 ppm). For 400-Mbps, 800-Mbps, 1.2-Gbps or 1.6-Gbps CSI-2 data rates, use 25-MHz frequency. For the oscillator requirements, see REFCLK . For other common CSI-2 data rates, see CSI-2 Transmitter Frequency . |
| RES | 4 | - | This pin must be tied to GND for normal operation. |
| CMLOUTP | 56 | O | Channel Monitor Loop-through Driver differential output. Route to a test point or a pad with 100-Ω termination resistor between pins for channel monitoring (recommended). See Channel Monitor Loop-Through Output Driver . |
| CMLOUTN | 57 | | |

The definitions below define the functionality of the I/O cells for each pin.

TYPE:

- I = Input
- O = Output
- I/O = Input/Output
- S = Configuration/Strap Input (All strap pins have internal pulldowns determined by IOZ specification. If the default strap value is needed to be changed then an external resistor should be used.
- PD = Internal Pulldown
- OD = Open Drain
- P = Power Supply
- G = Ground

6 Specifications

6.1 Absolute Maximum Ratings

Over operating free-air temperature range (unless otherwise noted)^{(1) (2)}

| | | MIN | MAX | UNIT | |
|--------------------------------|--|--|-----------------------------------|------|---|
| Supply voltage | VDD11 (VDD_CSIO, VDD_CS11, VDDL1, VDDL2, VDD_FPD1, VDD_FPD2) | -0.3 | 1.32 and $V_{(VDD18)}$ | V | |
| | VDD18 (VDD18_P0, VDD18_P1, VDD18_P2, VDD18_P3, VDD18A, VDD18_FPD0, VDD18_FPD1, VDD18_FPD2, VDD18_FPD3) | -0.3 | 2.16 | V | |
| | VDDIO | -0.3 | 3.96 | V | |
| FPD-Link III input voltage | RIN0+, RIN0-, RIN1+, RIN1-, RIN2+, RIN2-, RIN3+, RIN3- | Device powered up (All supplies within recommended operating conditions) | -0.3 | 2.75 | V |
| | | Device powered down, Transient voltage | -0.3 | 1.45 | V |
| | | Device powered down, DC voltage | -0.3 | 1.35 | V |
| CSI-2 voltage | CSI0_D0P, CSI0_D0N, CSI0_D1P, CSI0_D1N, CSI0_D2P, CSI0_D2N, CSI0_D3P, CSI0_D3N, CSI0_CLKP, CSI0_CLKN, CSI1_D0P, CSI1_D0N, CSI1_D1P, CSI1_D1N, CSI1_D2P, CSI1_D2N, CSI1_D3P, CSI1_D3N, CSI1_CLKP, CSI1_CLKN | -0.3 | 1.32 | V | |
| LVCMOS IO voltage | PDB | -0.3 | 3.96 | V | |
| | GPIO[7:0], REFCLK, RES, CMLOUTP, CMLOUTN | -0.3 | $V_{(VDDIO)} + 0.3$ | V | |
| Configuration input voltage | MODE, IDX | -0.3 | $V_{(VDD18)} + 0.3$ | V | |
| Open-Drain voltage | I2C_SDA, I2C_SCL, I2C_SDA2, I2C_SCL2, INTB | -0.3 | 3.96 | V | |
| Junction temperature | | | 150 | °C | |
| Storage temperature, T_{stg} | | -65 | 150 | °C | |

- (1) If Military/Aerospace specified devices are required, please contact the Texas Instruments Sales Office or Distributors for availability and specifications.
- (2) Stresses beyond those listed under *Absolute Maximum Ratings* may cause permanent damage to the device. These are stress ratings only, which do not imply functional operation of the device at these or any other conditions beyond those indicated under *Recommended Operating Conditions*. Exposure to absolute-maximum-rated conditions for extended periods may affect device reliability.

6.2 ESD Ratings

| | | | VALUE | UNIT |
|--|---|--|---------|------|
| $V_{(ESD)}$ Electrostatic discharge | Human body model (HBM), per AEC Q100-002 ⁽¹⁾ | RIN0+, RIN0-, RIN1+, RIN1-, RIN2+, RIN2-, RIN3+, RIN3- | ±6000 | V |
| | | Other pins | ±4500 | V |
| | Charged device model (CDM), per AEC Q100-011 | | ±1000 | V |
| | ESD Rating (IEC 61000-4-2) $R_D = 330 \Omega$, $C_S = 150 \text{ pF}$ | Contact Discharge (RIN0+, RIN0-, RIN1+, RIN1-, RIN2+, RIN2-, RIN3+, RIN3-) | ±10 000 | V |
| | | Air Discharge (RIN0+, RIN0-, RIN1+, RIN1-, RIN2+, RIN2-, RIN3+, RIN3-) | ±21 000 | V |
| | ESD Rating (ISO 10605) $R_D = 330 \Omega$, $C_S = 150 \text{ pF}$ and 330 pF $R_D = 2 \text{ k}\Omega$, $C_S = 150 \text{ pF}$ and 330 pF | Contact Discharge (RIN0+, RIN0-, RIN1+, RIN1-, RIN2+, RIN2-, RIN3+, RIN3-) | ±10 000 | V |
| Air Discharge (RIN0+, RIN0-, RIN1+, RIN1-, RIN2+, RIN2-, RIN3+, RIN3-) | | ±21 000 | V | |

- (1) AEC Q100-002 indicates HBM stressing is done in accordance with the ANSI/ESDA/JEDEC JS-001 specification.

6.3 Recommended Operating Conditions

Over operating free-air temperature range (unless otherwise noted)

| | | MIN | NOM | MAX | UNIT |
|---|--|-------|-----|-------|-------------------|
| Supply voltage | $V_{(VDD11)}$ | 1.045 | 1.1 | 1.155 | V |
| | $V_{(VDD18)}$ | 1.71 | 1.8 | 1.89 | V |
| LVCMOS I/O supply voltage | $V_{(VDDIO)} = 1.8\text{ V}$ | 1.71 | 1.8 | 1.89 | V |
| | OR $V_{(VDDIO)} = 3.3\text{ V}$ | 3.0 | 3.3 | 3.6 | V |
| Open-drain voltage | $INTB = V_{(INTB)}, I2C\text{ pins} = V_{(I2C)}$ | 1.71 | | 3.6 | V |
| Operating free-air temperature, T_A | | -40 | 25 | 105 | °C |
| MIPI data rate (per CSI-2 lane) | | 368 | 800 | 1664 | Mbps |
| MIPI CSI-2 HS clock frequency | | 184 | 400 | 832 | MHz |
| Reference clock frequency | | 23 | 25 | 26 | MHz |
| Spread-spectrum reference clock modulation percentage | REFCLK, Center spread | -0.5 | | 0.5 | % |
| | REFCLK, Down spread | -1 | | 0 | % |
| Local I ² C frequency, f_{I2C} | | | | 1 | MHz |
| Supply noise ⁽¹⁾ | $V_{(VDD11)}$ | | | 25 | mV _{P-P} |
| | $V_{(VDD18)}$ | | | 50 | mV _{P-P} |
| | $V_{(VDDIO)} = 1.8\text{ V}$ | | | 50 | mV _{P-P} |
| | $V_{(VDDIO)} = 3.3\text{ V}$ | | | 100 | mV _{P-P} |
| | RIN0+, RIN1+, RIN2+, RIN3+ | | | 10 | mV _{P-P} |

(1) DC to 50 MHz.

6.4 Thermal Information

| THERMAL METRIC ⁽¹⁾ | | DS90UB960-Q1 | UNIT |
|-------------------------------|--|--------------|------|
| | | RTD (VQFN) | |
| | | 64 PINS | |
| $R_{\theta JA}$ | Junction-to-ambient thermal resistance | 23.8 | °C/W |
| $R_{\theta JC(TOP)}$ | Junction-to-case (top) thermal resistance | 10.4 | °C/W |
| $R_{\theta JC(BOT)}$ | Junction-to-case (bottom) thermal resistance | 0.4 | °C/W |
| $R_{\theta JB}$ | Junction-to-board thermal resistance | 7.6 | °C/W |
| Ψ_{JT} | Junction-to-top characterization parameter | 0.1 | °C/W |
| Ψ_{JB} | Junction-to-board characterization parameter | 7.5 | °C/W |

 (1) For more information about traditional and new thermal metrics, see the *Semiconductor and IC Package Thermal Metrics* application report, [SPRA953](#).

6.5 DC Electrical Characteristics

Over recommended operating supply and temperature ranges unless otherwise specified.

| PARAMETER | TEST CONDITIONS | PIN OR FREQUENCY | MIN | TYP | MAX | UNIT |
|--------------------------|---|--|-----|-----|-----|------|
| POWER CONSUMPTION | | | | | | |
| P_T | Total power consumption in operation mode | CSI-2 TX = 2 x (4 data lanes + 1 CLK lane) CSI-2 TX line rate = 1.664 Gbps 4 x FPD-Link III RX inputs FPD-Link III line rate = 4.16 Gbps CSI-2 mode, Non-replicate mode Default registers | | 800 | 999 | mW |

DC Electrical Characteristics (continued)

Over recommended operating supply and temperature ranges unless otherwise specified.

| PARAMETER | | TEST CONDITIONS | PIN OR FREQUENCY | MIN | TYP | MAX | UNIT |
|-------------------------|---|--|------------------------|---------------------------|-----|---------------------------|---------|
| SUPPLY CURRENT | | | | | | | |
| I_{DDT1} | Deserializer supply current (includes load current) | CSI-2 TX = 4 data lanes + 1 CLK lane CSI-2 TX line rate = 1.664 Gbps 4 × FPD-Link III RX inputs FPD-Link III line rate = 4.16 Gbps CSI-2 mode, Non-replicate mode Default registers | VDD11 | | 165 | 310 | mA |
| | | | VDD18 | | 295 | 340 | |
| | | | VDDIO | | 2 | 3 | |
| | | CSI-2 TX = 4 data lanes + 1 CLK lane CSI-2 TX line rate = 832 Mbps 4 × FPD-Link III RX inputs FPD-Link III line rate = 4.16 Gbps CSI-2 mode, Non-replicate mode Default registers | VDD11 | | 150 | 290 | mA |
| | | | VDD18 | | 295 | 340 | |
| | | | VDDIO | | 2 | 3 | |
| I_{DDT2} | Deserializer supply current (includes load current) | CSI-2 TX = 2 × (4 data lanes + 1 CLK lane) CSI-2 TX line rate = 1.664 Gbps 4 × FPD-Link III RX inputs FPD-Link III line rate = 4.16 Gbps CSI-2 mode, Replicate mode Default registers | VDD11 | | 174 | 360 | mA |
| | | | VDD18 | | 312 | 370 | |
| | | | VDDIO | | 2 | 3 | |
| | | CSI-2 TX = 2 × (4 data lanes + 1 CLK lane) CSI-2 TX line rate = 832 Mbps 4 × FPD-Link III RX inputs FPD-Link III line rate = 4.16 Gbps CSI-2 mode, Replicate mode Default registers | VDD11 | | 127 | 305 | mA |
| | | | VDD18 | | 369 | 415 | |
| | | | VDDIO | | 2 | 3 | |
| I_{DDT3} | Deserializer supply current (includes load current) | CSI-2 TX = 4 data lanes + 1 CLK lane CSI-2 TX line rate = 1.664 Gbps 4 × FPD-Link III RX inputs FPD-Link III line rate = 1.867 Gbps RAW12 HF mode, Non-replicate mode Default registers | VDD11 | | 122 | 300 | mA |
| | | | VDD18 | | 263 | 305 | |
| | | | VDDIO | | 2 | 3 | |
| | | CSI-2 TX = 2 × (4 data lanes + 1 CLK lane) CSI-2 TX line rate = 832 Mbps 4 × FPD-Link III RX inputs FPD-Link III line rate = 1.867 Gbps RAW12 HF mode, Replicate mode Default registers | VDD11 | | 120 | 330 | mA |
| | | | VDD18 | | 315 | 365 | |
| | | | VDDIO | | 2 | 3 | |
| I_{DDZ} | Deserializer shutdown current | PDB = LOW | VDD11 | | | 160 | mA |
| | | | VDD18 | | | 4 | |
| | | | VDDIO | | | 3 | |
| 1.8-V LVCMOS I/O | | | | | | | |
| V_{OH} | High level output voltage | $I_{OH} = -2$ mA, $V_{(VDDIO)} = 1.71$ to 1.89 V | GPIO[7:0] | $V_{(VDDIO)} - 0.45$ | | $V_{(VDDIO)}$ | V |
| V_{OL} | Low level output voltage | $I_{OL} = 2$ mA, $V_{(VDDIO)} = 1.71$ to 1.89 V | GPIO[7:0], INTB | GND | | 0.45 | V |
| V_{IH} | High level input voltage | $V_{(VDDIO)} = 1.71$ to 1.89 V | GPIO[7:0], PDB, REFCLK | $0.65 \times V_{(VDDIO)}$ | | $V_{(VDDIO)}$ | V |
| V_{IL} | Low level input voltage | | | GND | | $0.35 \times V_{(VDDIO)}$ | |
| I_{IH} | Input high current | $V_{IN} = V_{(VDDIO)} = 1.71$ to 1.89 V, internal pulldown enabled | GPIO[7:0], PDB | 45 | | 115 | μ A |
| | | $V_{IN} = V_{(VDDIO)} = 1.71$ to 1.89 V, internal pulldown disabled | GPIO[7:0], REFCLK | | | 20 | μ A |

DC Electrical Characteristics (continued)

Over recommended operating supply and temperature ranges unless otherwise specified.

| PARAMETER | | TEST CONDITIONS | | PIN OR FREQUENCY | MIN | TYP | MAX | UNIT | |
|--|--|---|-----------------------------|--|------------------------|-----|------------------------|---------------|---------------|
| I_{IL} | Input low current | $V_{IN} = 0\text{ V}$ | | GPIO[7:0], PDB, REFCLK | -20 | | 3.5 | μA | |
| $I_{IN-STRAP}$ | Strap pin input current | $V_{IN} = 0\text{ V}$ to $V_{(VDD18)}$ | | MODE, IDX | -1 | | 1 | μA | |
| I_{OS} | Output short circuit current | $V_{OUT} = 0\text{ V}$ | | GPIO[7:0] | | -40 | | mA | |
| I_{OZ} | TRI-STATE output current | $V_{OUT} = 0\text{ V}$ or $V_{(VDDIO)}$, PDB = LOW | | GPIO[7:0] | -20 | | 20 | μA | |
| 3.3-V LVCMOS I/O | | | | | | | | | |
| V_{OH} | High level output voltage | $I_{OH} = -4\text{ mA}$, $V_{(VDDIO)} = 3.0$ to 3.6 V | | GPIO[7:0] | 2.4 | | $V_{(VDDIO)}$ | V | |
| V_{OL} | Low level output voltage | $I_{OL} = 4\text{ mA}$, $V_{(VDDIO)} = 3.0$ to 3.6 V | | GPIO[7:0], INTB | GND | | 0.4 | V | |
| V_{IH} | Highlevel input voltage | $V_{(VDDIO)} = 3.0$ to 3.6 V | | GPIO[7:0], REFCLK | 2 | | $V_{(VDDIO)}$ | V | |
| | | | | PDB | 1.17 | | $V_{(VDDIO)}$ | V | |
| V_{IL} | Low level input voltage | $V_{(VDDIO)} = 3.0$ to 3.6 V | | GPIO[7:0], REFCLK | GND | | 0.8 | V | |
| | | | | PDB | GND | | 0.63 | V | |
| I_{IH} | Input high current | $V_{IN} = V_{(VDDIO)} = 3.0$ to 3.6 V , internal pulldown enabled | | GPIO[7:0], PDB | 85 | | 215 | μA | |
| | | $V_{IN} = V_{(VDDIO)} = 3.0$ to 3.6 V , internal pulldown disabled | | GPIO[7:0], REFCLK | | | 30 | μA | |
| I_{IL} | Input low current | $V_{IN} = V_{(VDDIO)} = 0\text{ V}$ | | GPIO[7:0], PDB, REFCLK | -20 | | 3.5 | μA | |
| I_{OS} | Output short circuit current | $V_{OUT} = 0\text{ V}$ | | GPIO[7:0] | | -65 | | mA | |
| I_{OZ} | TRI-STATE output current | $V_{OUT} = 0\text{ V}$ or $V_{(VDDIO)}$, PDB = LOW | | GPIO[7:0] | -20 | | 30 | μA | |
| I²C SERIAL CONTROL BUS | | | | | | | | | |
| V_{IH} | Input high level | | | I2C_SDA, I2C_SCL, I2C_SDA2, I2C_SCL2 | $0.7 \times V_{(I2C)}$ | | $V_{(I2C)}$ | V | |
| V_{IL} | Input low level | | | | GND | | $0.3 \times V_{(I2C)}$ | V | |
| V_{HYS} | Input hysteresis | | | | | 50 | | mV | |
| V_{OL1} | Output low level | $V_{(I2C)} = 3.0$ to 3.6 V , $I_{OL} = 3\text{ mA}$ | Standard-mode | | 0 | 0.4 | | | V |
| | | $V_{(I2C)} = 3.0$ to 3.6 V , $I_{OL} = 20\text{ mA}$ | Fast-mode Plus | | | | | | |
| V_{OL2} | Output low level | $V_{(I2C)} = 1.71$ to 1.89 V , $I_{OL} = 2\text{ mA}$ | Fast-mode Fast-mode Plus | | 0 | | $0.2 \times V_{(I2C)}$ | V | |
| I_{IN} | Input current | $V_{IN} = 0\text{ V}$ or $V_{(I2C)}$ | | | | -10 | | 10 | μA |
| C_{IN} | Input capacitance | | | | | 5 | | pF | |
| FPD-LINK III RECEIVER INPUT | | | | | | | | | |
| V_{CM} | Common mode voltage | | | RIN0+, RIN0-, RIN1+, RIN1-, RIN2+, RIN2-, RIN3+, RIN3- | | 1.2 | | V | |
| R_T | Internal termination resistance | Single-ended RIN+ or RIN- | | | 40 | 50 | 60 | Ω | |
| | | Differential across RIN+ and RIN- | | | 80 | 100 | 120 | Ω | |
| FPD-LINK III BACK CHANNEL DRIVER OUTPUT | | | | | | | | | |
| V_{OUT-BC} | Back channel single-ended output voltage | $R_L = 50\ \Omega$ Coaxial configuration Forward channel disabled | | RIN0+, RIN1+, RIN2+, RIN3+ | 190 | 220 | 260 | mV | |

DC Electrical Characteristics (continued)

Over recommended operating supply and temperature ranges unless otherwise specified.

| PARAMETER | | TEST CONDITIONS | PIN OR FREQUENCY | MIN | TYP | MAX | UNIT |
|--------------------------|--|---|---|------|-----|------|-------------------|
| V_{OD-BC} | Back channel differential output voltage $V_{(RIN+)} - V_{(RIN-)}$ | $R_L = 100 \Omega$ STP configuration Forward channel disabled | RIN0+, RIN0-, RIN1+, RIN1-, RIN2+, RIN2-, RIN3+, RIN3- | 380 | 440 | 520 | mV |
| HSTX DRIVER | | | | | | | |
| V_{CMTX} | HS transmit static common-mode voltage | | CSI0_D0P, CSI0_D0N, CSI0_D1P, CSI0_D1N, CSI0_D2P, CSI0_D2N, CSI0_D3P, CSI0_D3N, | 150 | 200 | 250 | mV |
| $ \Delta V_{CMTX(1,0)} $ | V_{CMTX} mismatch when output is 1 or 0 | | CSI0_D0P, CSI0_D0N, CSI0_D1P, CSI0_D1N, CSI0_D2P, CSI0_D2N, CSI0_D3P, CSI0_D3N, | | | 5 | mV _{P-P} |
| $ V_{OD} $ | HS transmit differential voltage | | CSI0_D0P, CSI0_D0N, CSI0_D1P, CSI0_D1N, CSI0_D2P, CSI0_D2N, CSI0_D3P, CSI0_D3N, | 140 | 200 | 270 | mV |
| $ \Delta V_{OD} $ | V_{OD} mismatch when output is 1 or 0 | | CSI0_D0P, CSI0_D0N, CSI0_D1P, CSI0_D1N, CSI0_D2P, CSI0_D2N, CSI0_D3P, CSI0_D3N, | | | 14 | mV |
| V_{OHHS} | HS output high voltage | | CSI0_D0P, CSI0_D0N, CSI0_D1P, CSI0_D1N, CSI0_D2P, CSI0_D2N, CSI0_D3P, CSI0_D3N, | | | 360 | mV |
| Z_{OS} | Single-ended output impedance | | CSI1_D0P, CSI1_D0N, CSI1_D1P, CSI1_D1N, CSI1_D2P, CSI1_D2N, CSI1_D3P, CSI1_D3N, | 40 | 50 | 62.5 | Ω |
| ΔZ_{OS} | Mismatch in single-ended output impedance | | CSI1_D0P, CSI1_D0N, CSI1_D1P, CSI1_D1N, CSI1_D2P, CSI1_D2N, CSI1_D3P, CSI1_D3N, CSI1_CLKP, CSI1_CLKN | | | 10 | % |
| LPTX DRIVER | | | | | | | |
| V_{OH} | High level output voltage | CSI-2 TX line rate ≤ 1.5 Gbps | CSI0_D0P, CSI0_D0N, CSI0_D1P, CSI0_D1N, CSI0_D2P, CSI0_D2N, CSI0_D3P, CSI0_D3N, | 1.1 | 1.2 | 1.3 | V |
| | | CSI-2 TX line rate > 1.5 Gbps | CSI0_D0P, CSI0_D0N, CSI0_D1P, CSI0_D1N, CSI0_D2P, CSI0_D2N, CSI0_D3P, CSI0_D3N, | 0.95 | | 1.3 | V |
| V_{OL} | Low level output voltage | | CSI0_D0P, CSI0_D0N, CSI0_D1P, CSI0_D1N, CSI0_D2P, CSI0_D2N, CSI0_D3P, CSI0_D3N, | -50 | | 50 | mV |
| Z_{OLP} | Output impedance | | CSI0_D0P, CSI0_D0N, CSI0_D1P, CSI0_D1N, CSI0_D2P, CSI0_D2N, CSI0_D3P, CSI0_D3N, CSI0_CLKP, CSI0_CLKN, CSI1_D0P, CSI1_D0N, CSI1_D1P, CSI1_D1N, CSI1_D2P, CSI1_D2N, CSI1_D3P, CSI1_D3N, CSI1_CLKP, CSI1_CLKN | 110 | | | Ω |

6.6 AC Electrical Characteristics

Over recommended operating supply and temperature ranges unless otherwise specified.

| PARAMETER | | TEST CONDITIONS | PIN OR FREQUENCY | MIN | TYP | MAX | UNIT |
|---|-------------------------------------|--|---|-----|-----|-----|------------------|
| LVC MOS I/O | | | | | | | |
| t_{CLH} | LVC MOS low-to-high transition time | $V_{(VDDIO)} = 1.71\text{ V to }1.89\text{ V}$ OR | GPIO[7:0] | | 2.5 | | ns |
| t_{CHL} | LVC MOS high-to-low transition time | $V_{(VDDIO)} = 3.0\text{ V to }3.6\text{ V}$ $C_L = 8\text{ pF}$ (lumped load) Default Registers (图 1) | | | | | |
| t_{PDB} | PDB reset pulse width | Power supplies applied and stable (图 56) | PDB | 2 | | | ms |
| FPD-LINK III RECEIVER INPUT | | | | | | | |
| V_{IN} | Single ended input voltage | Coaxial cable attenuation = -19.2 dB @ 2.1 GHz | RIN0+, RIN0-, RIN1+, RIN1-, RIN2+, RIN2-, RIN3+, RIN3- | 60 | | | mV |
| V_{ID} | Differential input voltage | STP cable attenuation = -19.6 dB @ 2.1 GHz | | 115 | | | mV |
| $t_{DDL T}$ | Deserializer data lock time | CSI-2 Mode, paired with DS90UB953-Q1, coaxial cable attenuation = -19.2 dB @ 2.1 GHz, AEQ range +/-3 | | 15 | 30 | | ms |
| | | CSI-2 Mode, paired with DS90UB953-Q1, coaxial cable attenuation = -19.2 dB @ 2.1 GHz, AEQ default range | | 400 | | | ms |
| | | Raw Mode, paired with DS90UB933-Q1, coaxial cable attenuation = -14 dB @ 1.4 GHz, AEQ range +/-3 | | 15 | 30 | | ms |
| t_{JIT} | Input jitter | Raw Mode, paired with DS90UB933-Q1, coaxial cable attenuation = -14 dB @ 1.4 GHz, AEQ default range | | 400 | | | ms |
| | | CSI-2 Mode, paired with DS90UB953-Q1, coaxial cable attenuation = -19.2 dB @ 2.1 GHz, Jitter frequency > FPD3_PCLK ⁽¹⁾ / 15 See Input Jitter Tolerance | | | | 0.4 | UI |
| | | CSI-2 Mode, paired with DS90UB953-Q1, STP cable attenuation = -19.6 dB @ 2.1 GHz, Jitter frequency > FPD3_PCLK ⁽¹⁾ / 15 See Input Jitter Tolerance | | | | | |
| FPD-LINK III BACK CHANNEL DRIVER | | | | | | | |
| E_{W-BC} | Back channel output eye width | Coaxial or STP configuration, $f_{BC} = 52\text{ Mbps}$ | RIN0+, RIN0-, RIN1+, RIN1-, RIN2+, RIN2-, RIN3+, RIN3- | 0.7 | 0.8 | | UI _{BC} |
| E_{H-BC} | Back channel output eye height | Coaxial configuration, $f_{BC} = 52\text{ Mbps}$ | | 130 | 160 | | mV |
| | | STP configuration, $f_{BC} = 52\text{ Mbps}$ | | 260 | 320 | | mV |

- (1) FPD3_PCLK frequency is a function of the PCLK, CLK_IN or REFCLK frequency and dependent on the serializer operating MODE:
- CSI-2 synchronous mode: FPD3_PCLK = 4 x REFCLK
 - CSI-2 non-synchronous mode: FPD3_PCLK = 2 x CLK_IN
 - RAW 10-bit mode: FPD3_PCLK = PCLK / 2
 - RAW 12-bit HF mode: FPD3_PCLK = 2 x PCLK / 3
 - RAW 12-bit LF mode: FPD3_PCLK = PCLK

AC Electrical Characteristics (continued)

Over recommended operating supply and temperature ranges unless otherwise specified.

| PARAMETER | TEST CONDITIONS | PIN OR FREQUENCY | MIN | TYP | MAX | UNIT |
|-----------------------------------|-----------------------------------|---|--------------------|-----|-----|------|
| f _{BC} Back channel data | CSI-2 synchronous mode | RIN0+, RIN0-, RIN1+, RIN1-, RIN2+, RIN2-, RIN3+, RIN3- | 2x REFCLK | | | Mbps |
| | CSI-2 synchronous mode, no REFCLK | | 46 | | 56 | Mbps |
| | CSI-2 non-synchronous mode | | 2x REFCLK /5 | | | Mbps |
| | Raw mode | | REFCLK /10 | | | Mbps |

6.7 CSI-2 Timing Specifications

Over recommended operating supply and temperature ranges unless otherwise specified.

| PARAMETER | TEST CONDITIONS | PIN OR FREQUENCY | MIN | TYP | MAX | UNIT |
|--|-----------------------------|--|-----|-----|------|-------------------|
| HSTX DRIVER | | | | | | |
| HSTX _{DBR} Data rate | REFCLK = 23 MHz | CSI0_D0P, CSI0_D0N, CSI0_D1P, CSI0_D1N, CSI0_D2P, CSI0_D2N, CSI0_D3P, CSI0_D3N, CSI1_D0P, CSI1_D0N, CSI1_D1P, CSI1_D1N, CSI1_D2P, CSI1_D2N, CSI1_D3P, CSI1_D3N, | 368 | 736 | 1472 | Mbps |
| | REFCLK = 25 MHz | | 400 | 800 | 1600 | Mbps |
| | REFCLK = 26 MHz | | 416 | 832 | 1664 | Mbps |
| f _{CLK} DDR clock frequency | REFCLK = 23 MHz | CSI0_CLKP, CSI0_CLKN, CSI1_CLKP, CSI1_CLKN | 184 | 368 | 736 | MHz |
| | REFCLK = 25 MHz | | 200 | 400 | 800 | MHz |
| | REFCLK = 26 MHz | | 208 | 416 | 832 | MHz |
| ΔV _{CMTX(HF)} Common mode voltage variations HF | Above 450 MHz | CSI0_D0P, CSI0_D0N, CSI0_D1P, CSI0_D1N, CSI0_D2P, CSI0_D2N, CSI0_D3P, CSI0_D3N, CSI1_D0P, CSI1_D0N, CSI1_D1P, CSI1_D1N, CSI1_D2P, CSI1_D2N, CSI1_D3P, CSI1_D3N, | | | 15 | mV _{RMS} |
| ΔV _{CMTX(LF)} Common mode voltage variations LF | Between 50 and 450 MHz | | | | 25 | mV _{RMS} |
| t _{RHS} t _{FHS} | 20% to 80% rise and fall HS | HS data rates ≤ 1 Gbps (UI ≥ 1 ns) | | | 0.3 | UI |
| | | HS data rates > 1 Gbps (UI ≤ 1 ns) but less than 1.5 Gbps (UI ≥ 0.667 ns) | | | 0.35 | UI |
| | | Applicable when supporting maximum HS data rates ≤ 1.5 Gbps. | 100 | | | ps |
| | | Applicable for all HS data rates when supporting > 1.5 Gbps. | | | 0.4 | UI |
| | | Applicable for all HS data rates when supporting > 1.5 Gbps. | 50 | | | ps |

CSI-2 Timing Specifications (continued)

Over recommended operating supply and temperature ranges unless otherwise specified.

| PARAMETER | | TEST CONDITIONS | PIN OR FREQUENCY | MIN | TYP | MAX | UNIT |
|---|---|--|--|-------|--|-----|-------|
| SDD _{TX} | TX differential return loss | f _{LP} MAX | HS data rates <1.5 Gbps | | -18 | | dB |
| | | f _H | | | -9 | | dB |
| | | f _{MAX} | | | -3 | | dB |
| | | f _{LP} MAX | HS data rates >1.5 Gbps | | -18 | | dB |
| | | f _H | | | -4.5 | | dB |
| | | f _{MAX} | | | -2.5 | | dB |
| SCC _{TX} | TX common mode return loss | DC to f _{LP} MAX | All HS data rates | | -20 | | dB |
| | | f _H | | | -15 | | dB |
| | | f _{MAX} | | | -9 | | dB |
| LPTX DRIVER | | | | | | | |
| t _{RLP} | Rise time LP ⁽¹⁾ | 15% to 85% rise time | | | | 25 | ns |
| t _{FLP} | Fall time LP ⁽¹⁾ | 15% to 85% fall time | | | | 25 | ns |
| t _{REOT} | Rise time post-EoT ⁽¹⁾ | 30%-85% rise time | | | | 35 | ns |
| t _{LP-PULSE-TX} | Pulse width of the LP exclusive-OR clock ⁽¹⁾ | First LP exclusive-OR clock pulse after Stop state or last pulse before Stop state | | 40 | | | ns |
| | | All other pulses | | 20 | | | ns |
| t _{LP-PER-TX} | Period of the LP exclusive-OR clock | | | 90 | | | ns |
| DV/DtSR | Slew rate ⁽¹⁾ | C _{LOAD} = 0 pF | CSI0_D0P, CSI0_D0N, CSI0_D1P, CSI0_D1N, CSI0_D2P, CSI0_D2N, CSI0_D3P, CSI0_D3N, CSI0_CLKP, CSI0_CLKN, CSI1_D0P, CSI1_D0N, CSI1_D1P, CSI1_D1N, CSI1_D2P, CSI1_D2N, CSI1_D3P, CSI1_D3N, CSI1_CLKP, CSI1_CLKN | | | 500 | mV/ns |
| | | C _{LOAD} = 5 pF | | | | 300 | mV/ns |
| | | C _{LOAD} = 20 pF | | | | 250 | mV/ns |
| | | C _{LOAD} = 70 pF | | | | 150 | mV/ns |
| | | C _{LOAD} = 0 to 70 pF (falling edge only), data rate ≤ 1.5 Gbps | | | 30 | | mV/ns |
| | | C _{LOAD} = 0 to 70 pF (falling edge only), data rate ≤ 1.5 Gbps | | | 30 | | mV/ns |
| | | C _{LOAD} = 0 to 70 pF (falling edge only), data rate > 1.5 Gbps | | | 25 | | mV/ns |
| | | C _{LOAD} = 0 to 70 pF (falling edge only), data rate > 1.5 Gbps | | | 25 | | mV/ns |
| | | C _{LOAD} = 0 to 70 pF (falling edge only) ^{(2) (3)} | | | 30 - 0.075x(V _{O,INST} - 700) | | mV/ns |
| C _{LOAD} = 0 to 70 pF (falling edge only) ^{(4) (5)} | | 25 - 0.0625x(V _{O,INST} - 550) | | mV/ns | | | |
| C _{LOAD} | Load capacitance ⁽¹⁾ | | | 0 | | 70 | pF |

(1) C_{LOAD} includes the low-frequency equivalent transmission line capacitance. The capacitance of TX and RX are assumed to always be <10 pF. The distributed line capacitance can be up to 50 pF for a transmission line with 2 ns delay.

(2) When the output voltage is between 700 mV and 930 mV

(3) Applicable when the supported data rate ≤ 1.5 Gbps

(4) When the output voltage is between 550 mV and 790 mV

(5) Applicable when the supported data rate > 1.5 Gbps.

CSI-2 Timing Specifications (continued)

Over recommended operating supply and temperature ranges unless otherwise specified.

| PARAMETER | | TEST CONDITIONS | PIN OR FREQUENCY | MIN | TYP | MAX | UNIT |
|-------------------------------------|---|---|---|---------------------------|-----|------|------------|
| DATA-CLOCK TIMING (图 6, 图 7) | | | | | | | |
| U_{INST} | UI instantaneous | In 1, 2, 3, or 4 lane configuration Data rate = 368 Mbps to 1.664 Gbps | CSI0_D0P, CSI0_D0N, CSI0_D1P, CSI0_D1N, CSI0_D2P, CSI0_D2N, CSI0_D3P, CSI0_D3N, CSI0_CLKP, CSI0_CLKN, CSI1_D0P, CSI1_D0N, CSI1_D1P, CSI1_D1N, CSI1_D2P, CSI1_D2N, CSI1_D3P, CSI1_D3N, CSI1_CLKP, CSI1_CLKN | 0.6 | | 2.7 | ns |
| ΔUI | UI variation | $UI \geq 1$ ns (图 5) | | -10% | | 10% | UI |
| | | $UI < 1$ ns (图 5) | | -5% | | 5% | UI |
| $t_{SKEW(TX)}$ | Data to clock skew (measured at transmitter) | Data rate ≤ 1 Gbps (图 5) | | -0.15 | | 0.15 | U_{INST} |
| | Skew between clock and data from ideal center | $1 \text{ Gbps} \leq \text{Data rate} \leq 1.5 \text{ Gbps}$ (图 5) | | -0.2 | | 0.2 | U_{INST} |
| $t_{SKEW(TX)}$ static | Static data to clock skew | Data rate > 1.5 Gbps | | -0.2 | | 0.2 | U_{INST} |
| $t_{SKEW(TX)}$ dynamic | Dynamic data to clock skew | | | -0.15 | | 0.15 | U_{INST} |
| ISI | Channel ISI | | | | | 0.2 | U_{INST} |
| GLOBAL TIMING (图 6, 图 7) | | | | | | | |
| $t_{CLK-MISS}$ | Timeout for receiver to detect absence of Clock transitions and disable the Clock Lane HS-RX | | | 60 | | | ns |
| $t_{CLK-POST}$ | HS exit | | | $60 + 52 \times U_{INST}$ | | | ns |
| $t_{CLK-PRE}$ | Time HS clock shall be driver prior to any associated Data Lane beginning the transition from LP to HS mode | | | 8 | | | U_{INST} |
| $t_{CLK-PREPARE}$ | Clock Lane HS Entry | | | 38 | | 95 | ns |
| $t_{CLK-SETTLE}$ | Time interval during which the HS receiver shall ignore any Clock Lane HS transitions | | | 95 | | 300 | ns |
| $t_{CLK-TERM-EN}$ | Time-out at Clock Lane Display Module to enable HS Termination | | | | | 38 | ns |
| $t_{CLK-TRAIL}$ | Time that the transmitter drives the HS-0 state after the last payload clock bit of a HS transmission burst | | | 60 | | | ns |
| $t_{CLK-PREPARE} + t_{CLK-ZERO}$ | TCLK-PREPARE + time that the transmitter drives the HS-0 state prior to starting the Clock | | | 300 | | | ns |

CSI-2 Timing Specifications (continued)

Over recommended operating supply and temperature ranges unless otherwise specified.

| PARAMETER | | TEST CONDITIONS | PIN OR FREQUENCY | MIN | TYP | MAX | UNIT |
|--------------------------------|---|-----------------|------------------|--------------------------------|--------------------------------|--------------------------------|------|
| $t_{D-TERM-EN}$ | Time for the Data Lane receiver to enable the HS line termination | | | Time for Dn to reach V-TERM-EN | | 35 + 4xU _{IINST} | ns |
| t_{EOT} | Transmitted time interval from the start of $t_{HS-TRAIL}$ to the start of the LP-11 state following a HS burst | | | | | 105 + 12xU _{IINST} | ns |
| $t_{HS-EXIT}$ | Time that the transmitter drives LP=11 following a HS burst | | | 100 | | | ns |
| $t_{HS-PREPARE}$ | Data Lane HS Entry | | | 40 + 4xU _{IINST} | 85 + 6xU _{IINST} | | ns |
| $t_{HS-PREPARE} + t_{HS-ZERO}$ | $t_{HS-PREPARE}$ + time that the transmitter drives the HS-0 state prior to transmitting the Sync sequence | | | 145 + 10xU _{IINST} | | | ns |
| $t_{HS-SETTLE}$ | Time interval during which the HS receiver shall ignore any Data Lane HS transitions, starting from the beginning of $t_{HS-SETTLE}$ | | | 85 + 6xU _{IINST} | 145 + 10xU _{IINST} | | ns |
| $t_{HS-SKIP}$ | Time interval during which the HS-RX should ignore any transitions on the Data Lane, following a HS burst. The end point of the interval is defined as the beginning of the LP-11 state following the HS burst. | | | 40 | 55 + 4xU _{IINST} | | ns |
| $t_{HS-TRAIL}$ | Data Lane HS Exit | | | 60 + 4xU _{IINST} | | | ns |
| t_{LPX} | Transmitted length of LP state | | | 50 | | | ns |
| t_{WAKEUP} | Recovery Time from Ultra Low Power State (ULPS) | | | 1 | | | ms |

CSI-2 Timing Specifications (continued)

Over recommended operating supply and temperature ranges unless otherwise specified.

| PARAMETER | TEST CONDITIONS | PIN OR FREQUENCY | MIN | TYP | MAX | UNIT |
|------------|-----------------------|---|-----|-----|-----|---------|
| t_{INIT} | Initialization period | CSI0_D0P, CSI0_D0N, CSI0_D1P, CSI0_D1N, CSI0_D2P, CSI0_D2N, CSI0_D3P, CSI0_D3N, CSI0_CLKP, CSI0_CLKN, CSI1_D0P, CSI1_D0N, CSI1_D1P, CSI1_D1N, CSI1_D2P, CSI1_D2N, CSI1_D3P, CSI1_D3N, CSI1_CLKP, CSI1_CLKN | 100 | | | μ s |

6.8 Recommended Timing for the Serial Control Bus

Over I²C supply and temperature ranges unless otherwise specified.

| | | MIN | TYP | MAX | UNIT |
|--------------|---|----------------|------|-----|---------|
| f_{SCL} | SCL Clock Frequency | Standard-mode | >0 | 100 | kHz |
| | | Fast-mode | >0 | 400 | kHz |
| | | Fast-mode Plus | >0 | 1 | MHz |
| t_{LOW} | SCL Low Period | Standard-mode | 4.7 | | μ s |
| | | Fast-mode | 1.3 | | μ s |
| | | Fast-mode Plus | 0.5 | | μ s |
| t_{HIGH} | SCL High Period | Standard-mode | 4.0 | | μ s |
| | | Fast-mode | 0.6 | | μ s |
| | | Fast-mode Plus | 0.26 | | μ s |
| $t_{HD;STA}$ | Hold time for a start or a repeated start condition | Standard-mode | 4.0 | | μ s |
| | | Fast-mode | 0.6 | | μ s |
| | | Fast-mode Plus | 0.26 | | μ s |
| $t_{SU;STA}$ | Set up time for a start or a repeated start condition | Standard-mode | 4.7 | | μ s |
| | | Fast-mode | 0.6 | | μ s |
| | | Fast-mode Plus | 0.26 | | μ s |
| $t_{HD;DAT}$ | Data hold time | Standard-mode | 0 | | μ s |
| | | Fast-mode | 0 | | μ s |
| | | Fast-mode Plus | 0 | | μ s |
| $t_{SU;DAT}$ | Data set up time | Standard-mode | 250 | | ns |
| | | Fast -mode | 100 | | ns |
| | | Fast-mode Plus | 50 | | ns |
| $t_{SU;STO}$ | Set up time for STOP condition | Standard-mode | 4.0 | | μ s |
| | | Fast-mode | 0.6 | | μ s |
| | | Fast-mode Plus | 0.26 | | μ s |
| t_{BUF} | Bus free time between STOP and START | Standard-mode | 4.7 | | μ s |
| | | Fast-mode | 1.3 | | μ s |
| | | Fast-mode Plus | 0.5 | | μ s |

Recommended Timing for the Serial Control Bus (continued)

Over I²C supply and temperature ranges unless otherwise specified.

| | | MIN | TYP | MAX | UNIT |
|----------------------|-----------------------------------|----------------|-----|------|------|
| t _r | SCL & SDA rise time | Standard-mode | | 1000 | ns |
| | | Fast-mode | | 300 | ns |
| | | Fast-mode Plus | | 120 | ns |
| t _f | SCL & SDA fall time | Standard-mode | | 300 | ns |
| | | Fast-mode | | 300 | ns |
| | | Fast-mode Plus | | 120 | ns |
| C _b | Capacitive load for each bus line | Standard-mode | | 400 | pF |
| | | Fast-mode | | 400 | pF |
| | | Fast-mode Plus | | 550 | pF |
| t _{VD, DAT} | Data valid time | Standard-mode | | 3.45 | μs |
| | | Fast-mode | | 0.9 | μs |
| | | Fast-mode Plus | | 0.45 | μs |
| t _{VD, ACK} | Data valid acknowledge time | Standard-mode | | 3.45 | μs |
| | | Fast-mode | | 0.9 | μs |
| | | Fast-mode Plus | | 0.45 | μs |
| t _{SP} | Input filter | Fast-mode | | 50 | ns |
| | | Fast-mode Plus | | 50 | ns |

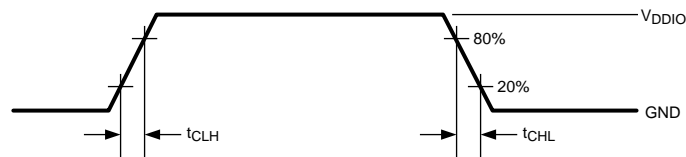


图 1. LVC MOS Transition Times

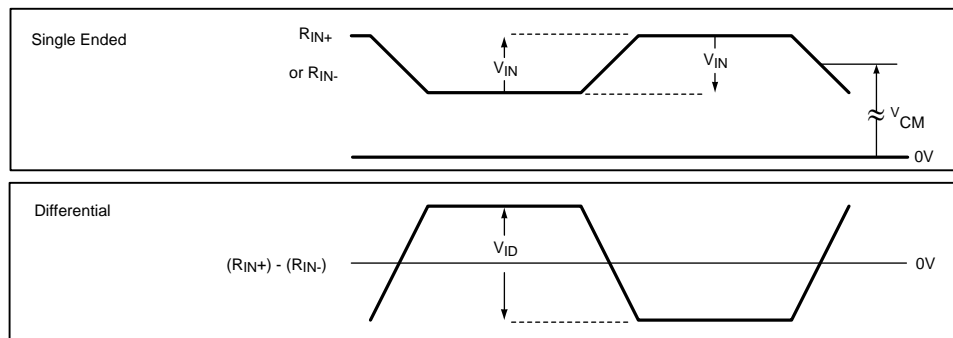


图 2. FPD-Link III Receiver V_{ID}, V_{IN}, V_{CM}

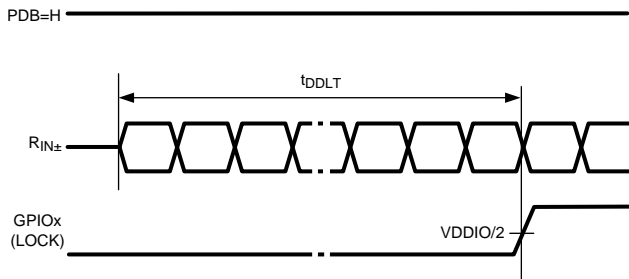


图 3. Deserializer Data Lock Time

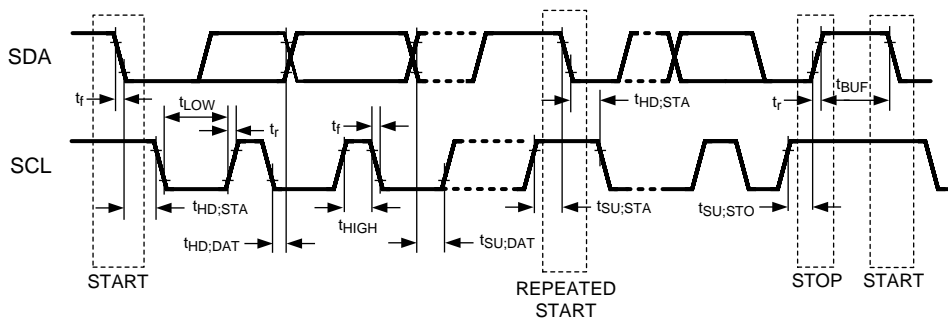


图 4. I2C Serial Control Bus Timing

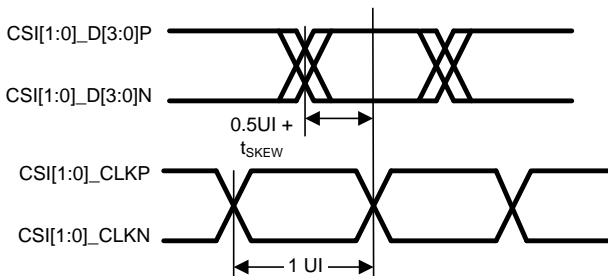


图 5. Clock and Data Timing in HS Transmission

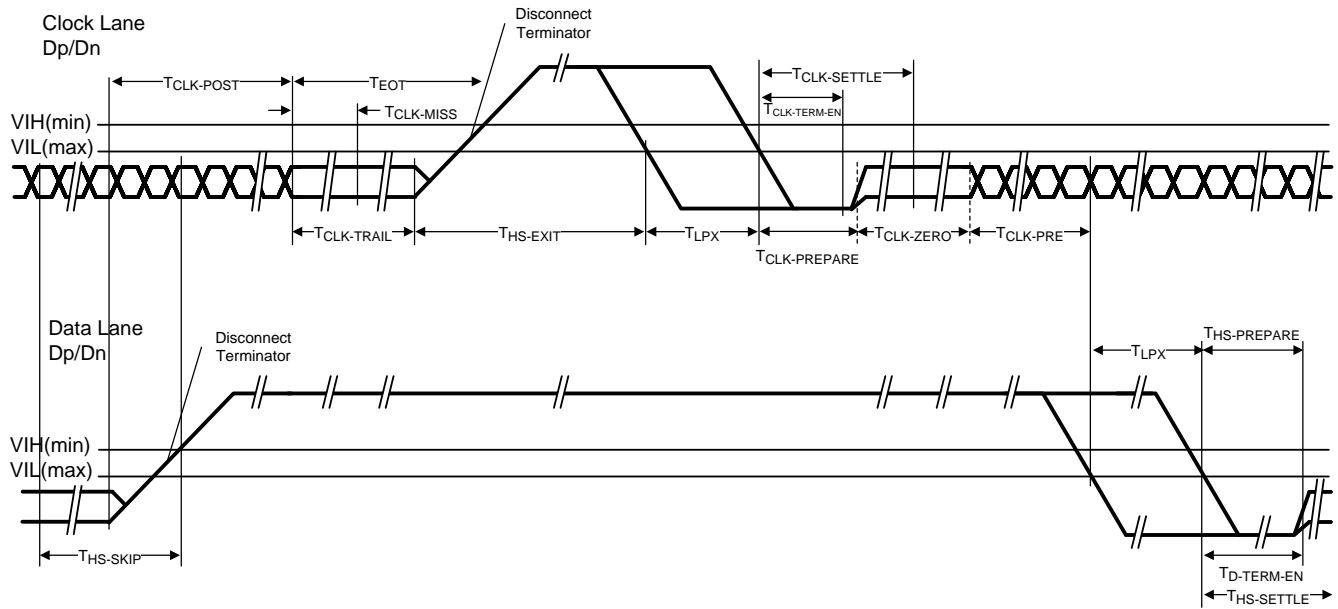


图 6. High-Speed Data Transmission Burst

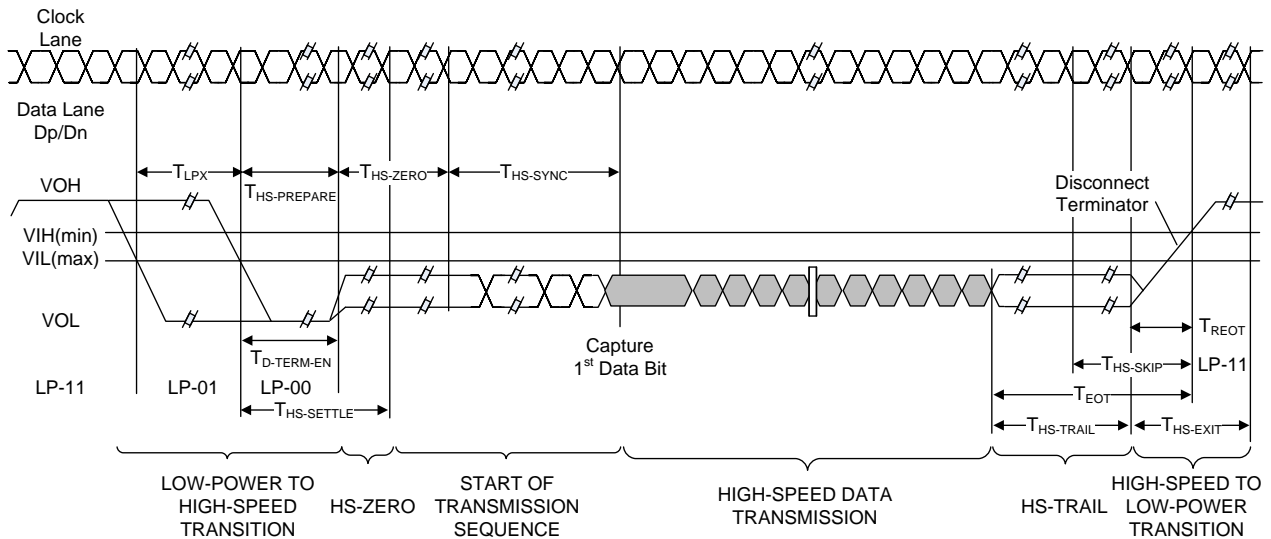


图 7. Switching the Clock Lane Between Clock Transmission and Low-Power Mode

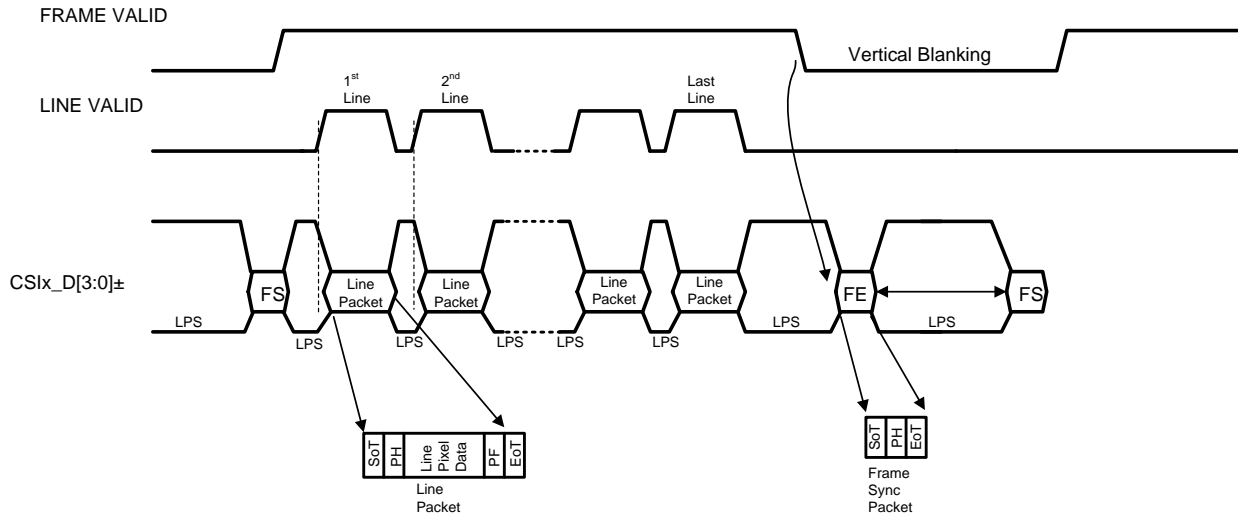


图 8. Long Line Packets and Short Frame Sync Packets

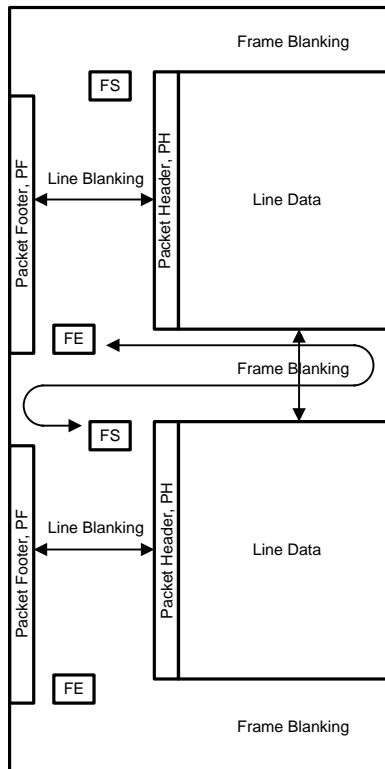


图 9. CSI-2 General Frame Format (Single Rx / VC)

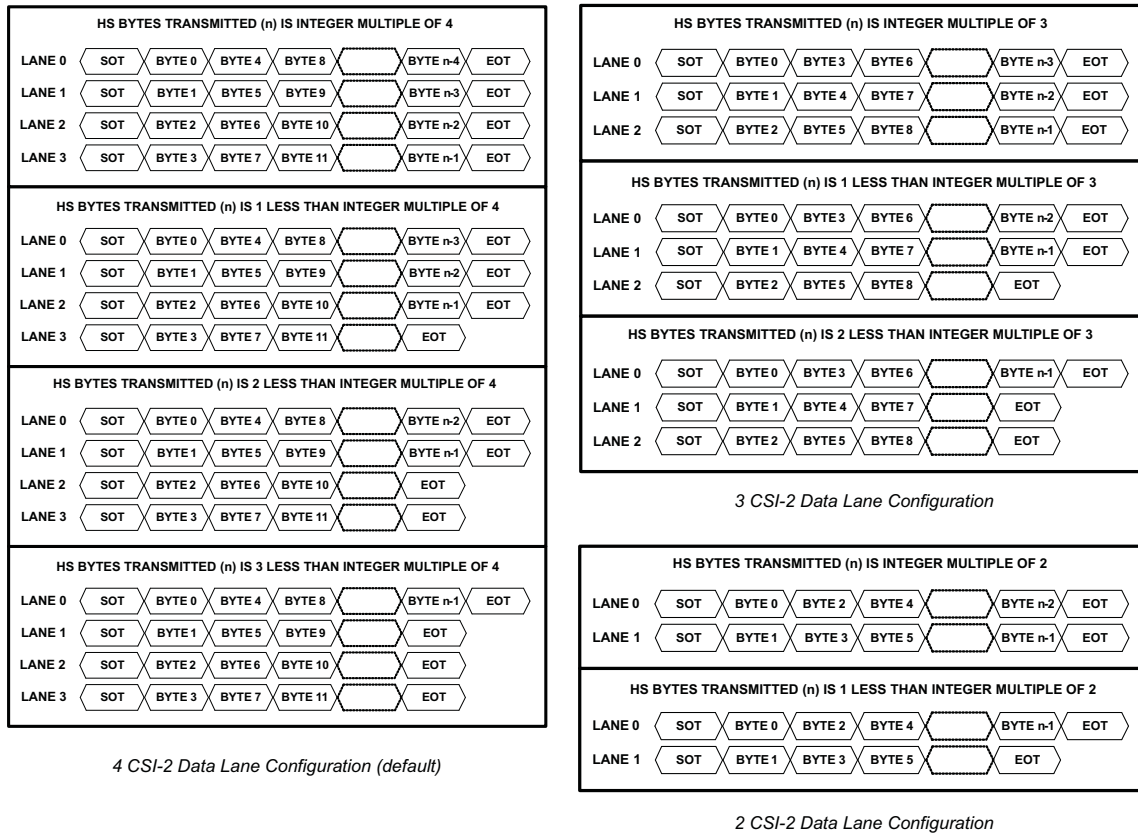


图 10. 4 MIPI Data Lane Configuration

6.9 Typical Characteristics

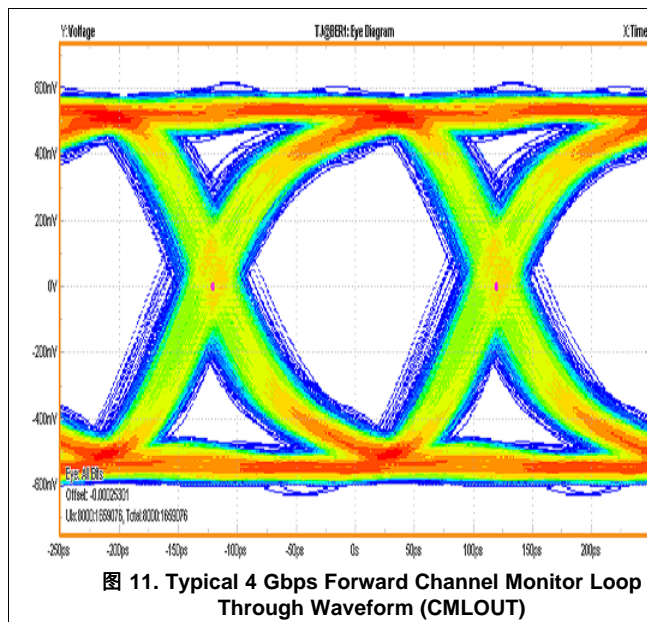


图 11. Typical 4 Gbps Forward Channel Monitor Loop Through Waveform (CMLOUT)

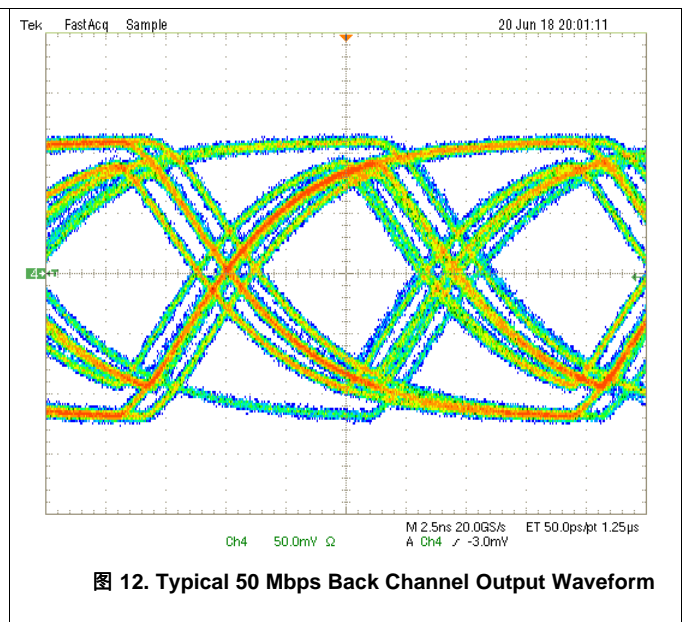


图 12. Typical 50 Mbps Back Channel Output Waveform

7 Detailed Description

7.1 Overview

The DS90UB960-Q1 is a sensor hub that accepts four sensor inputs from a FPD-Link III interface. When coupled with ADAS FPD-Link III serializers (DS90UB953-Q1, DS90UB935-Q1, DSUB933-Q1 or DS90UB913A-Q1), the device combines data streams from multiple sensor sources onto one or two MIPI CSI-2 port(s) with up to four data lanes each port.

表 1. Serializer Compatibility

| SERIALIZER | DS90UB953-Q1 | DS90UB935-Q1 | DS90UB933-Q1 | DS90UB913A-Q1 |
|---------------|--------------|--------------|--------------|---------------|
| Compatibility | Yes | Yes | Yes | Yes |

7.1.1 Functional Description

The DS90UB960-Q1 is a sensor hub that aggregates up to four inputs acquired from a FPD-Link III stream and transmitted over a MIPI sensor serial interface (CSI-2). When coupled with DS90UB953-Q1, DS90UB935-Q1, DS90UB933-Q1, or DS90UB913A-Q1 FPD-Link III serializers, the DS90UB960-Q1 receives data streams from multiple imagers that can be multiplexed on the same CSI-2 links. When paired with the DS90UB953-Q1 or DS90UB935-Q1, the DS90UB960-Q1 operates with the full feature set. When in the backward-compatible mode paired with a DS90UB933-Q1 or DS90UB913A-Q1, the device operates with basic functionality. The DS90UB960-Q1 supplies two MIPI CSI-2 ports, configuration with four lanes per port with up to 1.664 Gbps per lane. The second MIPI CSI-2 output port is available to provide either more bandwidth or supply a second replicated output. The DS90UB960-Q1 can support multiple data formats (programmable as RAW, YUV, RGB) and different sensor resolutions. The CSI-2 Tx module accommodates both image data and non-image data (including synchronization or embedded data packets).

The DS90UB960-Q1 CSI-2 interface combines each of the sensor data streams into packets designated for each virtual channel. The output generated is composed of virtual channels to separate different streams to be interleaved. Each virtual channel is identified by a unique channel identification number in the packet header.

When the DS90UB960-Q1 is paired with a DS90UB953-Q1 serializer, the received FPD-Link III forward channel is constructed in 40-bit long frames. Each encoded frame contains video payload data, I2C forward channel data, and additional information on framing, data integrity and link diagnostics. The high-speed, serial bit stream from the DS90UB953-Q1 contains an embedded clock and DC-balancing ensuring sufficient data line transitions for enhanced signal quality. When paired with ADAS serializers in RAW input mode, the received FPD-Link III forward channel is similarly constructed at a lower line rate in 28-bit long frames. The DS90UB960-Q1 device recovers a high-speed, FPD-Link III forward channel signal and generates a bidirectional control channel control signal in the reverse channel direction. The DS90UB960-Q1 converts the FPD-Link III stream into a MIPI CSI-2 output interface designed to support automotive sensors, including 2MP/60fps and 4MP/30fps image sensors.

The DS90UB960-Q1 device has four receive input ports to accept up to four sensor streams simultaneously. The control channel function of the DS90UB953-Q1 / DS90UB960-Q1 pair supplies bidirectional communication between the image sensors and ECU. The integrated bidirectional control channel transfers data bidirectionally over the same differential pair used for video data interface. This interface has advantages over other chipsets because the interface eliminates the need for additional wires for programming and control. The bidirectional control channel bus is controlled through an I2C port. The bidirectional control channel supplies continuous low latency communication and is not dependent on video blanking intervals. The DS90UB953-Q1 / DS90UB960-Q1 chipset can operate entirely off of the back channel frequency clock generated by the DS90UB960-Q1 and recovered by the DS90UB953-Q1. The DS90UB953-Q1 provides the reference clock source for the sensor based on the recovered back channel clock. Synchronous clocking mode has distinct advantages in a multi-sensor system by locking all of the sensors and the receiver to a common reference in the same clock domain, which reduces or eliminates the need for data buffering and re-synchronization. This mode also eliminates the cost, space, and potential failure point of a reference oscillator within the sensor. The DS90UB953-Q1 / DS90UB960-Q1 chipset gives customers the choice to work with different clocking schemes. The DS90UB953-Q1 / DS90UB960-Q1 chipset can also use an external oscillator as the reference clock source for the PLL as the primary reference clock to the serializer (see the [DS90UB953-Q1](#) data sheet).

7.2 Functional Block Diagram

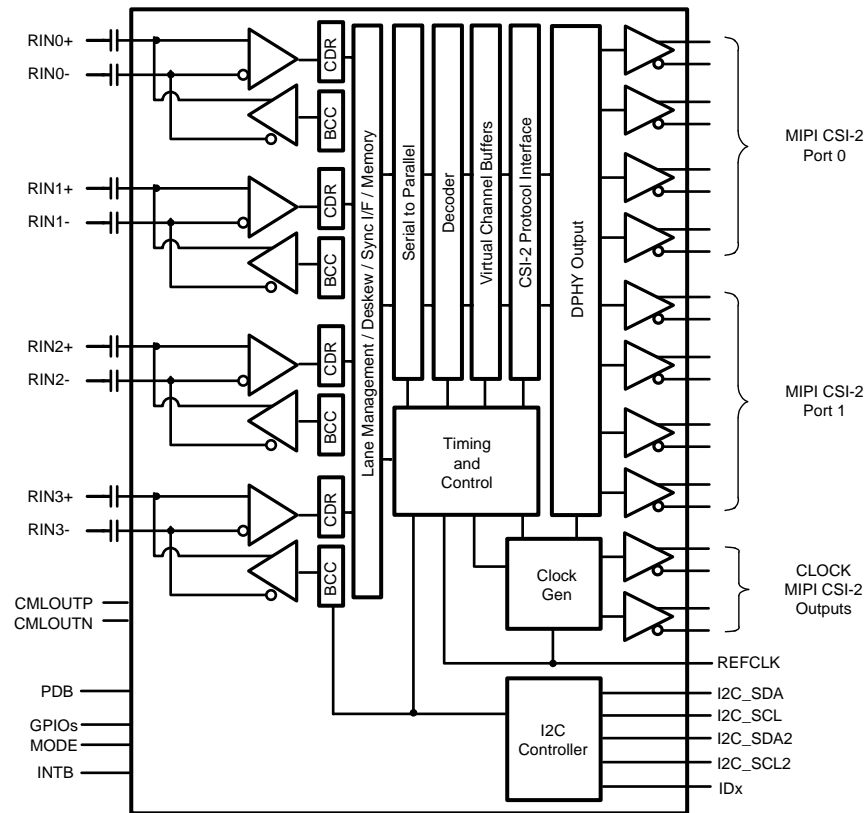


图 13. Functional Block Diagram

7.3 Feature Description

The DS90UB960-Q1 provides a 4:2 hub for sensor applications. The device includes four FPD-Link III inputs for sensor data streams from up to four DS90UB953-Q1 serializers. The interfaces are also backward-compatible to DS90UB933-Q1 or DS90UB913A-Q1 serializers. Data received from the four input ports is aggregated onto one or two 4-lane CSI-2 interfaces.

7.4 Device Functional Modes

The DS90UB960-Q1 supports two main operating modes:

- CSI-2 Mode (DS90UB953-Q1 / DS90UB935-Q1 compatible)
- RAW Mode (DS90UB933-Q1 / DS90UB913A-Q1 compatible)

The two modes mainly control the FPD-Link III receiver operation of the device. In both cases, the output format for the device is CSI-2 through one or two CSI-2 transmit ports.

Each RX input port can be individually configured for CSI-2 or RAW modes of operation. The input mode of operation is controlled by the FPD3_MODE 0x6D[1:0] register bits in the PORT_CONFIG register (See [Table 126](#)). The input mode may also be controlled by the MODE strap pin.

The DS90UB960-Q1 includes forwarding control to allow multiple video streams from any of the received ports to be mapped to either of the CSI-2 ports.

Device Functional Modes (接下页)

7.4.1 CSI-2 Mode

When operating in CSI-2 Mode, the DS90UB960-Q1 receives CSI-2 formatted data on up to four FPD-Link III input ports and forwards the data to one or two CSI-2 transmit ports. The deserializer can operate in CSI-2 mode with synchronous back channel reference or non-synchronous mode. The forward channel line rate is independent of the CSI-2 rate in synchronous or non-synchronous with external clock mode. The mode supports the remapping of Virtual Channel IDs at the input of each receive port. This remapping allows the receivers to handle conflicting VC-IDs for input streams from multiple sensors and to send those streams to the same CSI-2 transmit port.

In CSI-2 mode each deserializer Rx Port can support an FPD-Link III line rate up to 4.16 Gbps, where the line (or forward channel) and back channel rates are based on the reference frequency used for the serializer:

- In Synchronous mode based on REFCLK input frequency reference, the FPD-Link III forward channel rate is a fixed value of $160 \times \text{REFCLK}$. $\text{FPD3_PCLK} = 4 \times \text{REFCLK}$ and back channel rate = $2 \times \text{REFCLK}$. For example with REFCLK = 25 MHz, forward channel data rate = 4.0 Gbps, FPD3_PCLK = 100 MHz, back channel data rate = 50 Mbps.
- In Non-synchronous clocking mode when the DS90UB953-Q1 uses external reference clock (CLK_IN) the FPD-Link line rate is typically $\text{CLK_IN} \times 80$, $\text{FPD3_PCLK} = 2 \times \text{CLK_IN}$ or $1 \times \text{CLK_IN}$. The back channel data rate must be set to 10 Mbps in this mode. For example, with CLK_IN = 50 MHz, forward channel rate = 4 Gbps, FPD3_PCLK = 100 MHz, and the back channel rate is 10 Mbps. The sensor CSI-2 rate is independent of the CLK_IN.

7.4.2 RAW Mode

In RAW mode, the DS90UB960-Q1 receives RAW8, RAW10, or RAW12 data from a DS90UB933-Q1 or DS90UB913-Q1 serializer. The data is translated into a RAW8, RAW10, or RAW12 CSI-2 video stream for forwarding on one of the CSI-2 transmit ports. For each input port, the CSI-2 packet header VC-ID and Data Type are programmable.

In RAW mode, each Rx Port can support up to:

- 12 bits of DATA + 2 SYNC bits for an input PCLK range of 37.5 MHz to 100 MHz (75 MHz for DS90UB913A-Q1) in the 12-bit, high-frequency mode. Line rate = $\text{PCLK} \times (2/3) \times 28$. For example, PCLK = 100 MHz, line rate = $(100 \text{ MHz}) \times (2/3) \times 28 = 1.87 \text{ Gbps}$. Note: No HS/VS restrictions (raw). NOTE: The back channel rate must be set to 2.5 Mbps in this mode.
- 12 bits of DATA + 2 bits SYNC for an input PCLK range of 25 MHz to 50 MHz in the 12-bit, low-frequency mode. Line rate = $\text{PCLK} \times 28$. For example, PCLK = 50 MHz, line rate = $50 \text{ MHz} \times 28 = 1.40 \text{ Gbps}$. Note: No HS/VS restrictions (raw). The back channel rate must be set to 2.5 Mbps in this mode.
- 10 bits of DATA + 2 SYNC bits for an input PCLK range of 50 MHz to 100 MHz in the 10-bit mode. Line rate = $(\text{PCLK} / 2) \times 28$. For example, PCLK = 100 MHz, line rate = $(100 \text{ MHz} / 2) \times 28 = 1.40 \text{ Gbps}$. Note: HS/HV is restricted to no more than one transition per 10 PCLK cycles. The back channel rate must be set to 2.5 Mbps in this mode.

7.4.3 MODE Pin

Configuration of the device may be done through the MODE input strap pin, or through the configuration register bits. A pullup resistor and a pulldown resistor of suggested values may be used to set the voltage ratio of the MODE input (V_{MODE}) and V_{DD18} to select one of the four possible modes. Possible configurations are:

- CSI-2 Mode (DS90UB953-Q1 and DS90UB935-Q1 compatible)
 - 40-bit forward channel frame
 - 50-Mbps back channel rate for serializer operation in Synchronous mode (default)
 - 10-Mbps back channel rate for serializer operation in Non-synchronous mode (must be programmed by setting BC_FREQ_SELECT register $0x58[2:0] = 010$)
- 12-bit LF / 12-bit HF / 10-bit RAW modes (DS90UB933-Q1 and DS90UB913A-Q1 compatible)
 - 28-bit forward channel frame
 - 2.5-Mbps back channel rate (default)

Device Functional Modes (接下页)

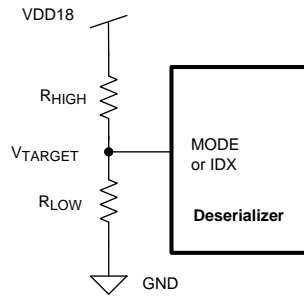


图 14. Strap Pin Connection Diagram

表 2. Strap Configuration Mode Select

| NO | V _{MODE} VOLTAGE RANGE | | | V _{IDX} TARGET VOLTAGE | SUGGESTED STRAP RESISTORS (1% TOL) | | RX MODE |
|----|---------------------------------|------------------------------|------------------------------|---------------------------------|------------------------------------|-----------------------|------------|
| | V _{MIN} | V _{TYP} | V _{MAX} | VDD18 = 1.80 V | R _{HIGH} (kΩ) | R _{LOW} (kΩ) | |
| 0 | 0 | 0 | 0.131 × V _(VDD18) | 0 | OPEN | 10.0 | CSI-2 Mode |
| 1 | 0.179 × V _(VDD18) | 0.213 × V _(VDD18) | 0.247 × V _(VDD18) | 0.374 | 88.7 | 23.2 | RAW12 LF |
| 2 | 0.296 × V _(VDD18) | 0.330 × V _(VDD18) | 0.362 × V _(VDD18) | 0.582 | 75.0 | 35.7 | RAW12 HF |
| 3 | 0.412 × V _(VDD18) | 0.443 × V _(VDD18) | 0.474 × V _(VDD18) | 0.792 | 71.5 | 56.2 | RAW10 |
| 4 | 0.525 × V _(VDD18) | 0.559 × V _(VDD18) | 0.592 × V _(VDD18) | 0.995 | 78.7 | 97.6 | CSI-2 Mode |
| 5 | 0.642 × V _(VDD18) | 0.673 × V _(VDD18) | 0.704 × V _(VDD18) | 1.202 | 39.2 | 78.7 | RAW12 LF |
| 6 | 0.761 × V _(VDD18) | 0.792 × V _(VDD18) | 0.823 × V _(VDD18) | 1.420 | 25.5 | 95.3 | RAW12 HF |
| 7 | 0.876 × V _(VDD18) | V _(VDD18) | V _(VDD18) | 1.8 | 10.0 | OPEN | RAW10 |

The strapped values can be viewed and/or modified in the following locations:

- RX Mode – Port Configuration FPD3_MODE Register 0x6D[1:0] bits (See Table 126)

7.4.4 REFCLK

A valid 23-MHz to 26-MHz reference clock is required on the REFCLK pin 5 for precise frequency operation. The REFCLK frequency defines all internal clock timers, including the back channel rate, I2C timers, CSI-2 datarate, FrameSync signal parameters, and other timing critical internal circuitry. REFCLK input must be continuous. If the REFCLK input does not detect a transition more than 20 μs, this may cause a disruption in the CSI-2 output. REFCLK should be applied to the DS90UB960-Q1 only when the supply rails are above minimum levels (see Figure 56). At start-up, the DS90UB960-Q1 defaults to an internal oscillator to generate an backup internal reference clock at nominal frequency of 25 MHz ±10%.

As an option for mitigating EMI / EMC, the DS90UB960-Q1 is capable of tolerating a REFCLK with spread-spectrum clocking (SSC) profile with up to ±0.5% amplitude deviations (center spread) or up to 1% amplitude deviations (down spread) and up to 33 kHz frequency modulation from a clock source.

The REFCLK LVCMOS input oscillator specifications are listed in Table 3.

表 3. REFCLK Oscillator Specifications

| PARAMETER | TEST CONDITIONS | MIN | TYP | MAX | UNIT |
|--|---|------|------|----------------------|--------|
| REFERENCE CLOCK | | | | | |
| Frequency tolerance with aging | -40°C ≤ T _A ≤ 105°C, aging, no spread-spectrum | | | ±100 | ppm |
| Amplitude | | 800 | 1200 | V _(VDDIO) | mVp-p |
| Symmetry | Duty Cycle | 40 | 50 | 60 | % |
| Rise and fall time | 10% – 90% | | | 6 | ns |
| Jitter | 200 kHz – 10 MHz | | 50 | 200 | ps p-p |
| Frequency | | 23 | 25 | 26 | MHz |
| Spread-spectrum clock modulation percentage (Optional) | Center spread | -0.5 | | +0.5 | % |
| | Down spread | -1 | | 0 | % |
| Spread-spectrum clock modulation frequency (Optional) | | | | 33 | kHz |

7.4.5 Receiver Port Control

The DS90UB960-Q1 can support up to four simultaneous inputs to Rx ports 0 - 4. The Receiver port control register RX_PORT_CTL 0x0C (See [Table 33](#)) allows for disabling any Rx inputs when not in use. These bits can only be written by a local I2C master at the deserializer side of the FPD-Link.

Each FPD-Link III Receive port has a unique set of registers that provides control and status corresponding to Rx ports 0 - 4. Control of the FPD-Link III port registers is assigned by the FPD3_PORT_SEL register, which sets the page controls for reading or writing individual ports unique registers. For each of the FPD-Link III Receive Ports, the FPD3_PORT_SEL 0x4C register defaults to selecting that port's registers as detailed in register description (See [Table 93](#)).

As an alternative to paging to access FPD-Link III Receive unique port registers, separate I2C addresses may be enabled to allow direct access to the port-specific registers. The Port I2C address registers 0xF8 - 0xFB allow programming a separate 7-bit I2C address to allow access to unique, port-specific registers without paging (See [RX Port I2C Addressing Registers \(Shared\)](#)). I2C commands to these assigned I2C addresses are also allowed access to all shared registers.

7.4.5.1 Video Stream Forwarding

Video stream forwarding is handled by the Rx Port forwarding control in register 0x20 (See [Table 53](#)). Forwarding from input ports are disabled by default and must be enabled using per-port controls. Different options for forwarding CSI-2 packets can also be selected as described starting in [CSI-2 Forwarding](#).

7.4.6 Input Jitter Tolerance

Input jitter tolerance is the ability of the clock and data recovery (CDR) and phase-locked loop (PLL) of the receiver to track and recover the incoming serial data stream. Jitter tolerance at a specific frequency is the maximum jitter permissible before data errors occur. The [图 15](#) shows the allowable total jitter of the receiver inputs and must be less than the values in [表 4](#).

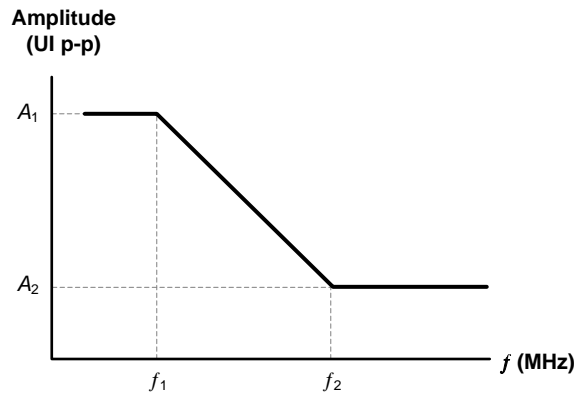


图 15. Input Jitter Tolerance Plot

表 4. Input Jitter Tolerance Limit

| INTERFACE | JITTER AMPLITUDE (UI p-p) | | FREQUENCY (MHz) ⁽¹⁾ | |
|-----------|---------------------------|-----|--------------------------------|----------------|
| FPD3 | A1 | A2 | f_1 | f_2 |
| | 1 | 0.4 | FPD3_PCLK / 80 | FPD3_PCLK / 15 |

- (1) FPD3_PCLK frequency is a function of the PCLK, CLK_IN, or REFCLK frequency and dependent on the serializer operating MODE:
 CSI-2 synchronous mode: FPD3_PCLK = 4 x REFCLK
 CSI-2 non-synchronous mode: FPD3_PCLK = 2 x CLK_IN
 RAW 10-bit mode: FPD3_PCLK = PCLK / 2
 RAW 12-bit HF mode: FPD3_PCLK = 2 x PCLK / 3
 RAW 12-bit LF mode: FPD3_PCLK = PCLK

7.4.7 Adaptive Equalizer

The receiver inputs provide an adaptive equalization filter to compensate for signal degradation from the interconnect components. To determine the maximum cable reach, factors that affect signal integrity such as jitter, skew, ISI, crosstalk, and so forth, must be considered. The equalization status and configuration are selected through AEQ registers 0xD2–0xD5 (See [Table 184](#) through [Table 187](#)).

Each RX receiver incorporates an adaptive equalizer (AEQ), which continuously monitors cable characteristics for long-term cable aging and temperature changes. The AEQ attempts to optimize the equalization setting of the RX receiver.

If the deserializer loses LOCK, the adaptive equalizer will reset and perform the LOCK algorithm again to reacquire the serial data stream being sent by the serializer.

7.4.7.1 Transmission Distance

The DS90UB960-Q1 AEQ can compensate for the transmission channel insertion loss of up to –19.2 dB at 2.1 GHz. When designing the transmission channel, consider the total insertion loss of all components in the signal path between a serializer and a deserializer. Typically, the transmission channel would consist of a serializer PCB, two or more connectors, one or more cables, and a deserializer PCB as shown in [图 16](#).



图 16. Typical Transmission Channel Components With Coaxial Cables

Assuming -1.2 dB at 2.1-GHz insertion loss (IL) budget for each serializer and deserializer PCB and 0.1 dB for each connector, it is easy to determine maximum cable reach given the insertion loss characteristic of the cable. For example, Dacar 462 has typical insertion loss of about -1.31 dB/m at 2.1 GHz. With the -19.2 -dB total IL budget, the remaining IL budget for the cable is -16.6 dB (-19.2 dB $- 2 \times (-1.2$ dB) $- 2 \times (-0.1$ dB)) after insertion loss of the two PCBs and two connectors are deducted from the total channel IL budget. Given this IL cable budget, the maximum cable reach with a single Dacar 462 is in the excess of 12 m (-16.6 dB / -1.31 dB/m).

Lower loss cables such as Dacar 302 (typical insertion loss of -0.78 dB/m at 2.1 GHz) may be used alone or in combination with Dacar 462 to achieve even longer transmission distances as exemplified in 图 16. 表 5 shows typical Dacar 462 and Dacar 302 cable combinations that achieve a 15-m transmission distance and stay within the maximum insertion loss budget.

表 5. Typical 15-m Cable Combinations with Dacar 462 and Dacar 302 Cables

| EXAMPLE | PCB INSERTION LOSS AT 2.1 GHz | CONNECTOR INSERTION LOSS AT 2.1 GHz | DACAR 462 INSERTION LOSS AT 2.1 GHz | DACAR 302 INSERTION LOSS AT 2.1 GHz | TOTAL CHANNEL INSERTION LOSS AT 2.1 GHz |
|---------|-------------------------------|-------------------------------------|--|-------------------------------------|---|
| A | $2 \times (-1.2)$ dB | $4 \times (-0.1)$ dB | 2×2.5 m $\times (-1.31)$ dB/m | 10 m $\times (-0.78)$ dB/m | -14.75 dB |
| B | $2 \times (-1.2)$ dB | $4 \times (-0.1)$ dB | 2×3 m $\times (-1.31)$ dB/m | 9 m $\times (-0.78)$ dB/m | -15.28 dB |
| C | $2 \times (-1.2)$ dB | $4 \times (-0.1)$ dB | 2×4 m $\times (-1.31)$ dB/m | 7 m $\times (-0.78)$ dB/m | -16.87 dB |

7.4.7.2 Channel Requirements

For optimal AEQ performance and error free operation, the end-to-end transmission channel (Including cables, connectors, and PCBs) needs to meet insertion loss, return loss (impedance control), and crosstalk requirements given in 表 6 and 表 7. Poor impedance control or insertion loss of the transmission channel and poor channel to channel isolation (low IL / FEXT) may result in significant reductions in the maximum transmission distance.

表 6. Transmission Channel Requirements for Coaxial Cable Applications

| PARAMETER | | MIN | TYP | MAX | UNIT |
|--------------------|---|---|-------|-------------------------|----------|
| Z_{trace} | Single-ended PCB trace characteristic impedance | 45 | 50 | 55 | Ω |
| Z_{cable} | Coaxial cable characteristic impedance | 45 | 50 | 55 | Ω |
| Z_{con} | Connector (mounted) characteristic impedance | 40 | 50 | 62.5 | Ω |
| RL | Return Loss, S11 | $\frac{1}{2} f_{\text{BC}} < f < 0.1$ GHz | | -16 | dB |
| | | 0.1 GHz $< f < 1$ GHz (f in GHz) | | $-9 + 7 \times \log(f)$ | dB |
| | | 1 GHz $< f < f_{\text{FC}}$ | | -9 | dB |
| IL | Insertion Loss, S12 | f = 1 MHz | -1.4 | | dB |
| | | f = 5 MHz | -2.3 | | dB |
| | | f = 10 MHz | -2.5 | | dB |
| | | f = 50 MHz | -3.5 | | dB |
| | | f = 100 MHz | -4.5 | | dB |
| | | f = 0.5 GHz | -9.5 | | dB |
| | | f = 1 GHz | -14.0 | | dB |
| FEXT | Maximum Far End Crosstalk | | -39.2 | | dB |
| NEXT | Maximum Near End Crosstalk | < 200 MHz | -30 | | dB |

表 7. Transmission Channel Requirements for STP / STQ Cable Applications

| PARAMETER | | MIN | TYP | MAX | UNIT |
|--------------------|---|-----|-----|-----|----------|
| Z_{trace} | Differential PCB trace characteristic impedance | 90 | 100 | 110 | Ω |
| Z_{cable} | STP / STQ cable characteristic impedance | 85 | 100 | 115 | Ω |

表 7. Transmission Channel Requirements for STP / STQ Cable Applications (接下页)

| PARAMETER | | MIN | TYP | MAX | UNIT |
|------------------|---|-----------------------------------|-----|-------------|------|
| Z _{con} | Differential connector (mounted) characteristic impedance | 80 | 100 | 125 | Ω |
| RL | Return Loss, SDD11 | ½ f _{BC} < f < 0.01 GHz | | -20 | dB |
| | | 0.01 GHz < f < 0.5 GHz (f in GHz) | | -20 + 20(f) | dB |
| | | 0.5 GHz < f < f _{FC} | | -10 | dB |
| IL | Insertion Loss, SDD12 | f = 1 MHz | | -1.1 | dB |
| | | f = 5 MHz | | -1.4 | dB |
| | | f = 10 MHz | | -1.6 | dB |
| | | f = 50 MHz | | -2.7 | dB |
| | | f = 100 MHz | | -3.4 | dB |
| | | f = 0.5 GHz | | -7.8 | dB |
| | | f = 1 GHz | | -12.0 | dB |
| | | f = 2.1 GHz | | -19.6 | dB |
| FEXT | Maximum Far End Crosstalk | f < 2.1 GHz | | -39.6 | dB |
| NEXT | Maximum Near End Crosstalk | < 200 MHz | | -30 | dB |

7.4.7.3 Adaptive Equalizer Algorithm

The AEQ process steps through the allowed equalizer control values find a value that allows the Clock Data Recovery (CDR) circuit to keep a valid lock condition. The circuit waits for a programmed re-lock time period for each EQ setting, then the circuit checks the results for a valid lock. If a valid lock is detected, the circuit will stop at the current EQ setting and maintain a constant value as long as the lock state persists. If the deserializer loses the lock, the adaptive equalizer will resume the LOCK algorithm and the EQ setting is incremented to the next valid state. When the lock is lost, the circuit will search the EQ settings to find another valid setting to reacquire the serial data stream sent by the serializer that remains locked.

7.4.7.4 AEQ Settings

7.4.7.4.1 AEQ Start-Up and Initialization

The AEQ circuit can be restarted at any time by setting the AEQ_RESTART bit in the AEQ_CTL2 register 0xD2 (See [Table 184](#)). When the deserializer is powered on, the AEQ is continually searching through the EQ settings and could be at any setting when signal is supplied from the serializer. If the Rx Port CDR locks to the signal, it may be good enough for low bit errors, but may not be optimized or overequalized. When connected to a compatible serializer (DS90UB953-Q1, DS90UB933-Q1 or DS90UB913A-Q1), the DS90UB960-Q1 will restart the AEQ adaption by default after the device achieves the first positive lock indication to supply a more consistent start-up from known conditions.

With this feature disabled, the AEQ may lock at a relatively random EQ setting based on when the FPD-Link III input signal is initially present. Alternatively, AEQ_RESTART or DIGITAL_RESET0 can be applied once the compatible serializer input signal frequency is stable to restart adaption from the minimum EQ gain value. These techniques allow for a more consistent initial EQ setting following adaption.

7.4.7.4.2 AEQ Range

The AEQ circuit can be programmed with minimum and maximum settings used during the EQ adaption. Using the full AEQ range provides the most flexible solution, if the channel conditions are known however, an improved deserializer lock time can be achieved by narrowing the search window for allowable EQ gain settings. For example, in a system use case with a longer cable and multiple interconnects creating higher channel attenuation, the AEQ would not adapt to the minimum EQ gain settings. Likewise, in a system use case with short cable and low channel attenuation, the AEQ would not generally adapt to the highest EQ gain settings. The AEQ range is determined by the AEQ_MIN_MAX register 0xD5 (See [Table 187](#)) where AEQ_MAX sets the maximum value of EQ gain. The ADAPTIVE_EQ_FLOOR_VALUE determines the starting value for EQ gain

adaption. To enable the minimum AEQ limit, the SET_AEQ_FLOOR bit in the AEQ_CTL2 register 0xD2[2] must also be set (See [Table 184](#)). An AEQ range (AEQ_MAX - AEQ_FLOOR) to allow a variation around the nominal setting of $-2/+4$ or ± 3 around the nominal AEQ value specific to Rx port channel characteristics gives a good trade-off in lock time and adaptability. The setting for the AEQ after adaption can be read back from the AEQ_STATUS register 0xD3 (See [Table 185](#)). The suggested AEQ_FLOOR settings are given in [表 8](#).

表 8. Suggested ADAPTIVE_EQ_FLOOR_VALUE as a Function of Channel Insertion Loss

| CHANNEL INSERTION LOSS AT 2.1 GHz (dB) | ADAPTIVE_EQ_FLOOR_VALUE |
|--|-------------------------|
| Up to -9.4 | 0 |
| -9.4 to -13.2 | 2 |
| -13.2 to -15.4 | 4 |
| -15.4 to -17.8 | 5 |
| -17.8 to -19.2 | 6 |

7.4.7.4.3 AEQ Timing

The dwell time for AEQ to wait for lock or error-free status is also programmable. When checking each EQ setting the AEQ will wait for a time interval, controlled by the ADAPTIVE_EQ_RELOCK_TIME field in the AEQ_CTL2 register (See [Table 184](#)) before incrementing to the next allowable EQ gain setting. The default wait time is set to 2.62 ms based on REFCLK = 25 MHz. When the maximum setting is reached and there is no lock acquired during the programmed relock time, the AEQ will restart adaption at minimum setting or AEQ_FLOOR value.

7.4.7.4.4 AEQ Threshold

The DS90UB960-Q1 receiver will adapt by default based on the FPD-Link error checking during the Adaptive Equalization process. The specific errors linked to equalizer adaption, FPD-Link III clock recovery error, packet encoding error, and parity error can be individually selected in AEQ_CTL register 0x42 (See [Table 83](#)). Errors are accumulated over 1/2 of the period of the timer set by the ADAPTIVE_EQ_RELOCK_TIME. If the number of errors is greater than the programmed threshold (AEQ_ERR_THOLD), the AEQ will attempt to increase the EQ setting.

7.4.8 Channel Monitor Loop-Through Output Driver

The DS90UB960-Q1 includes an internal **Channel Monitor Loop-through** output on the CMLOUTP/N pins. The CMLOUTP/N supplies a buffered loop-through output driver to observe the jitter after equalization for each of the four RX receiver channels. The CMLOUT monitors the post EQ stage, thus providing the recovered input of the deserializer signal. The measured serial data width on the CMLOUT loop-through is the total jitter including the internal driver, AEQ, back channel echo, and so forth. Each channel also has its own CMLOUT monitor and can be used for debug purposes. This CMLOUT is useful in identifying gross signal conditioning issues.

[表 9](#) shows the minimum CMLOUT differential eye opening as a measure of acceptable forward channel signal integrity. A CMLOUT eye opening of at least 0.35 UI suggests that the forward channel signal integrity is likely acceptable. However, further testing such as BIST is recommended to verify error free operation. An eye opening of less than 0.35 UI indicates possible issues with the forward channel signal integrity.

表 9. CML Monitor Output Driver

| PARAMETER | TEST CONDITIONS | PIN | MIN | TYP | MAX | UNIT |
|---------------------------------------|--|------------------|------|-----|-----|-------------------|
| E_w Differential Output Eye Opening | $R_L = 100 \Omega$ (图 17) | CMLOUTP, CMLOUTN | 0.35 | | | UI ⁽¹⁾ |

- (1) Unit Interval (UI) is equivalent to one ideal serialized data bit width. The UI scales with serializer input PCLK frequency (RAW Modes), serializer CLK_IN frequency (CSI-2 Mode, Serializer Non-synchronous Mode) or REFCLK (CSI-2 Mode, Serializer Synchronous Mode).
 CSI-2 Mode, Serializer Synchronous Mode: $1 \text{ UI} = 1 / (160 \times \text{REFCLK})$ (typ)
 CSI-2 Mode, Serializer Non-synchronous Mode: $1 \text{ UI} = 1 / (80 \times \text{CLK_IN})$ (typ)
 RAW 10-bit mode: $1 \text{ UI} = 1 / (28 \times \text{PCLK} / 2)$
 RAW 12-bit HF mode: $1 \text{ UI} = 1 / (28 \times 2/3 \times \text{PCLK})$
 RAW 12-bit LF mode: $1 \text{ UI} = 1 / (28 \times \text{PCLK})$

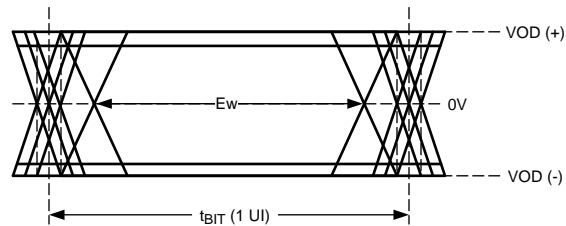

图 17. CMLOUT Output Driver

表 10 includes details on selecting the corresponding RX receiver of CMLOUTP/N configuration.

表 10. Channel Monitor Loop-Through Output Configuration

| | FPD3 RX Port 0 | FPD3 RX Port 1 | FPD3 RX Port 2 | FPD3 RX Port 3 |
|------------------------------------|---|---|---|---|
| ENABLE MAIN LOOPTHRU DRIVER | 0xB0 = 0x14 0xB1 = 0x00 0xB2 = 0x80 | 0xB0 = 0x14 0xB1 = 0x00 0xB2 = 0x80 | 0xB0 = 0x14 0xB1 = 0x00 0xB2 = 0x80 | 0xB0 = 0x14 0xB1 = 0x00 0xB2 = 0x80 |
| SELECT CHANNEL MUX | 0xB1 = 0x01 0xB2 = 0x01 | 0xB1 = 0x01 0xB2 = 0x02 | 0xB1 = 0x01 0xB2 = 0x04 | 0xB1 = 0x01 0xB2 = 0x08 |
| SELECT RX PORT | 0xB0 = 0x04 0xB1 = 0x0F 0xB2 = 0x01 0xB1 = 0x10 0xB2 = 0x02 | 0xB0 = 0x08 0xB1 = 0x0F 0xB2 = 0x01 0xB1 = 0x10 0xB2 = 0x02 | 0xB0 = 0x0C 0xB1 = 0x0F 0xB2 = 0x01 0xB1 = 0x10 0xB2 = 0x02 | 0xB0 = 0x10 0xB1 = 0x0F 0xB2 = 0x01 0xB1 = 0x10 0xB2 = 0x02 |

7.4.8.1 Code Example for CMLOUT FPD3 RX Port 0:

```

WriteI2C(0xB0,0x14) # FPD3 RX Shared, page 0
WriteI2C(0xB1,0x00) # Offset 0 (reg_0_sh)
WriteI2C(0xB2,0x80) # Enable loop thru driver
WriteI2C(0xB1,0x01) # Select Drive Mux
WriteI2C(0xB2,0x01) #
WriteI2C(0xB0,0x04) # FPD3 RX Port 0, page 0
WriteI2C(0xB1,0x0F) #
WriteI2C(0xB2,0x01) # Loop through select
WriteI2C(0xB1,0x10) #
WriteI2C(0xB2,0x02) # Enable CML data output
    
```

7.4.9 RX Port Status

The DS90UB960-Q1 is able to monitor and detect several other RX port specific conditions and interrupt states. This information is latched into the RX port status registers RX_PORT_STS1 0x4D (See Table 94) and RX_PORT_STS2 0x4E (See Table 95). There are bits to flag any change in LOCK status (LOCK_STS_CHG) or detect any errors in the control channel over the forward link (BCC_CRC_ERROR, BCC_SEQ_ERROR) which are cleared upon read. The Rx Port status registers also allow monitoring of the presence stable input signal along with monitoring parity and CRC errors, line length and lines per video frame.

7.4.9.1 RX Parity Status

The FPD-Link III receiver checks the decoded data parity to detect any errors in the received FPD-Link III frame. Parity errors are counted up and accessible through the RX_PAR_ERR_HI and RX_PAR_ERR_LO registers 0x55 and 0x56 (See Table 102 and Table 103) to provide combined 16 bit error counter. In addition a parity error flag can be set once a programmed number of parity errors have been detected. This condition is indicated by the PARITY_ERROR flag in the RX_PORT_STS1 register. reading the counter value will clear the counter value and PARITY_ERROR flag. An interrupt may also be generated based on assertion of the parity error flag. By default, the parity error counter will be cleared and flag will be cleared on loss of Receiver lock. To ensure an exact read of the parity error counter, parity checking should be disabled in the GENERAL_CFG register 0x02 (See Table 23) before reading the counter.

7.4.9.2 FPD-Link Decoder Status

The FPD-Link III receiver also checks the decoded data for encoding or sequence errors in the received FPD-Link III frame. If either of these error conditions are detected the FPD3_ENC_ERROR bit will be latched in the RX_PORT_STS2 register 0x4E[5] (See [Table 95](#)). An interrupt may also be generated based on assertion of the encoded error flag. To detect FPD-Link III Encoder errors, the LINK_ERROR_COUNT must be enabled with a LINK_ERR_THRESH value greater than 1. Otherwise, the loss of Receiver Lock will prevent detection of the Encoder error. The FPD3_ENC_ERROR flag is cleared on read.

When partnered with a DS90UB953-Q1, the FPD3 Encoder may be configured to include a CRC check of the FPD3 encoder sequence. The CRC check provides an extra layer of error checking on the encoder sequence. This CRC checking adds protection to the encoder sequence used to send link information comprised of Datapath Control registers 0x59 ([Table 106](#)) and 0x5A ([Table 107](#)), Sensor Status registers 0x51 - 0x54 ([Table 98](#) through [Table 101](#)), and Serializer ID register 0x5B ([Table 109](#)). It is recommended to enable CRC error checking on the FPD3 Encoder sequence to prevent any updates of link information values from encoded packets that do not pass CRC check. The FPD3 Encoder CRC is enabled by setting the FPD3_ENC_CRC_DIS register 0xBA[7] to 0 (See [Table 175](#)). In addition, the FPD3_ENC_CRC_CAP flag should be set in register 0x4A[4] (See [Table 91](#)).

7.4.9.3 RX Port Input Signal Detection

The DS90UB960-Q1 can detect and measure the approximate input frequency and frequency stability of each RX input port and indicate status in bits [2:1] of RX_PORT_STS2 (See [Table 95](#)). Frequency measurement stable FREQ_STABLE indicates the FPD-Link III input clock frequency is stable. When no FPD-Link III input clock is detected at the RX input port the NO_FPD3_CLK bit indicates that condition has occurred. Setting of these error flags is dependent on the stability control settings in the FREQ_DET_CTL register 0x77 (See [Table 136](#)). The NO_FPD3_CLK bit will be set if the input frequency is below the setting programmed in the FREQ_LO_THR setting in the FREQ_DET_CTL register. A change in frequency FREQ_STABLE = 0, is defined as any change in MHz greater than the value programmed in the FREQ_HYST value. The frequency is continually monitored and provided for readback through the I2C interface less than every 1 ms. A 16-bit value is used to provide the frequency in registers 0x4F and 0x50 (See [Table 96](#) and [Table 97](#)). An interrupt can also be generated for any of the ports to indicate if a change in frequency is detected on any port.

7.4.9.4 Line Counter

For each video frame received, the deserializer will count the number of video lines in the frame. In CSI-2 input mode, any long packet will be counted as a video line. In RAW mode, any assertion of the Line Valid (LV) signal will be interpreted as a video line. The LINE_COUNT_1 and LINE_COUNT_0 registers ([Table 132](#) and [Table 133](#)) can be used to read the line count for the most recent video frame. Line Length may not be consistent when receiving multiple CSI-2 video streams differentiated by VC-ID. An interrupt may be enabled based on a change in the LINE_COUNT value. If interrupts are enabled, the LINE_COUNT registers will be latched at the interrupt and held until read back by the processor through I2C.

7.4.9.5 Line Length

For each video line, the length (in bytes) will be determined. The LINE_LEN_1 and LINE_LEN_0 registers ([Table 134](#) and [Table 135](#)) can be used to read the line count for the most recent video frame. If the line length is not stable throughout the frame, the length of the last line of the frame will be reported. Line Count may not be consistent when receiving multiple CSI-2 video streams differentiated by VC-ID. An interrupt may be enabled based on a change in the LINE_LEN value. If interrupts are enabled, the LINE_LEN registers will be latched at the interrupt and held until read by the processor through I2C.

7.4.10 Sensor Status

When paired with the DS90UB953-Q1 serializer, the DS90UB960-Q1 is capable of receiving diagnostic indicators from the serializer. The sensor alarm and status diagnostic information are reported in the SENSOR_STS_X registers ([Table 98](#) through [Table 101](#)). The interrupt capability from detected status changes in sensor are described in [Interrupts on Change in Sensor Status](#). Sensor Status This interrupt condition will be cleared by reading the SEN_INT_RISE_STS and SEN_INT_FALL_STS registers ([Table 196](#) and [Table 197](#)).

7.4.11 GPIO Support

The DS90UB960-Q1 supports 8 pins which are programmable for use in multiple options through the GPIOx_PIN_CTL registers.

7.4.11.1 GPIO Input Control and Status

Upon initialization GPIO0 through GPIO7 are enabled as inputs by default. Each GPIO pin has an input disable and a pulldown disable control bit with exception of GPIO3 which is open drain. By default, the GPIO pin input paths are enabled and the internal pulldown circuit for the GPIO is enabled. The GPIO_INPUT_CTL (Table 36) and GPIO_PD_CTL (Table 179) registers allow control of the input enable and the pulldown respectively. For example to disable GPIO1 and GPIO2 as inputs you would program in register 0x0F[2:1] = 11. For most applications, there is no need to modify the default register settings for the pull down resistors. The status HIGH or LOW of each GPIO pin 0 through 7 may be read through the GPIO_PIN_STS register 0x0E (Table 35). This register read operation provides the status of the GPIO pin independent of whether the GPIO pin is configured as an input or output.

7.4.11.2 GPIO Output Pin Control

Individual GPIO output pin control is programmable through the GPIOx_PIN_CTL registers 0x10 to 0x17 (Table 37 through Table 44). To enable any of the GPIO as output, set bit 0 = 1 in the respective register 0x10 to 0x17 after clearing the corresponding input enable bit in register 0x0F.

7.4.11.3 Forward Channel GPIO

The DS90UB960-Q1 8 GPIO pins can output data received from the forward channel when paired with the DS90UB953-Q1 serializer. The remote Serializer GPIO are mapped to GPIO. Each GPIO pin can be programmed for output mode and mapped. Up to four GPIOs are supported in the forward direction on each FPD-Link III Receive port. Each forward channel GPIO (from any port) can be mapped to any GPIO output pin. The DS90UB933-Q1 and DS90UB913A-Q1 GPO's cannot be configured as inputs for remote communication over the forward channel to the DS90UB960-Q1.

The timing for the forward channel GPIO is dependant on the number of GPIOs assigned at the serializer. When a single GPIO input from the DS90UB953-Q1 serializer is linked to a DS90UB960-Q1 deserializer GPIO output the value is sampled every forward channel transmit frame. Two linked GPIO are sampled every two forward channel frames and three or four linked GPIO are sampled every 5 frames. The minimum latency for the GPIO remains consistent (~225 ns) but as the information gets spread over multiple frames the jitter is typically increased on the order of the sampling period (number of forward channel frames). TI recommends maintaining a 4x oversampling ratio for linked GPIO throughput. For example, when operating in 4 Gbps synchronous mode with REFCLK = 25 MHz, the maximum recommended GPIO input frequency based on the number of GPIO linked over the forward channel is shown in 表 11.

表 11. Forward Channel GPIO Typical Timing

| NUMBER OF LINKED FORWARD CHANNEL GPIOs (FC_GPIO_EN) | SAMPLING FREQUENCY (MHz) AT FPD-Link III LINE RATE = 4 Gbps | MAXIMUM RECOMMENDED FORWARD CHANNEL GPIO FREQUENCY (MHz) | TYPICAL JITTER (ns) |
|---|---|--|---------------------|
| 1 | 100 | 25 | 12 |
| 2 | 50 | 12.5 | 24 |
| 4 | 20 | 5 | 60 |

In addition to mapping remote serializer GPI, an internally generated FrameSync (see) or other control signals may be output from any of the deserializer GPIOs for synchronization with a local processor or another deserializer.

7.4.11.4 Back Channel GPIO

Each DS90UB960-Q1 GPIO pin defaults to input mode at startup. The deserializer can link GPIO pin input data on up to four available slots to send on the back channel per each remote serializer connection. Any of the 8 GPIO pin data can be mapped to send over the available back channel slots for each FPD-Link III Rx port. The same GPIO on the deserializer pin can be mapped to multiple back channel GPIO signals. For 50 Mbps back channel operation, the frame period is 600 ns (30 bits × 20 ns/bit). For 2.5-Mbps back channel operation, the frame period is 12 μs (30 bits × 400 ns/bit). As the back channel GPIOs are sampled and sent each back

channel frame by DS90UB960-Q1 deserializer, the latency and jitter timing are on the order of one back channel frame. The back channel GPIO is effectively sampled at a rate of 1/30 of the back channel rate or 1.67 MHz at $f_{BC} = 50$ Mbps. It is recommended the input to back channel GPIO switching frequency is $< 1/4$ of the sampling rate or 416 kHz at $f_{BC} = 50$ Mbps. For example, when operating in 4 Gbps synchronous mode with REFCLK = 25 MHz, the maximum recommended GPIO input frequency based on the data rate when linked over the back channel is shown in [表 12](#).

表 12. Back Channel GPIO Typical Timing

| BACK CHANNEL RATE (Mbps) | SAMPLING FREQUENCY (kHz) | MAXIMUM RECOMMENDED BACK CHANNEL GPIO FREQUENCY (kHz) | TYPICAL LATENCY (μ s) | TYPICAL JITTER (μ s) |
|--------------------------|--------------------------|---|----------------------------|---------------------------|
| 50 | 1670 | 416 | 1.5 | 0.7 |
| 10 | 334 | 83.5 | 3.2 | 3 |
| 2.5 | 83.5 | 20 | 12.2 | 12 |

In addition to sending GPIO from pins, an internally generated FrameSync or external FrameSync input signal may be mapped to any of the back channel GPIOs for synchronization of multiple sensors with extremely low skew. (see).

In addition to sending GPIO from pins, an internally generated FrameSync signal may be sent on any of the back-channel GPIOs.

For each port, the following GPIO control is available through the BC_GPIO_CTL0 register 0x6E and BC_GPIO_CTL1 register 0x6F.

7.4.11.5 GPIO Pin Status

GPIO pin status may be read through the GPIO_PIN_STS register 0x0E. This register provides the status of the GPIO pin independent of whether the GPIO pin is configured as an input or output.

7.4.11.6 Other GPIO Pin Controls

Each GPIO pin can has a input disable and a pulldown disable. By default, the GPIO pin input paths are enabled and the internal pulldown circuit in the GPIO is enabled. The GPIO_INPUT_CTL register 0x0F ([Table 36](#)) and GPIO_PD_CTL register 0xBE ([Table 179](#)) allow control of the input enable and the pulldown respectively. For most applications, there is no need to modify the default register settings.

7.4.12 RAW Mode LV / FV Controls

The Raw modes provide FrameValid (FV) and LineValid (LV) controls for the video framing. The FV is equivalent to a Vertical Sync (VSYNC) while the LineValid is equivalent to a Horizontal Sync (HSYNC) input to the DS90UB913A-Q1 / DS90UB933-Q1 device.

The DS90UB960-Q1 allows setting the polarity of these signals by register programming. The FV and LV polarity are controlled on a per-port basis and can be independently set in the PORT_CONFIG2 register 0x7C ([Table 141](#)).

To prevent false detection of FrameValid, FV must be asserted for a minimum number of clocks prior to first video line to be considered valid. The minimum FrameValid time is programmable in the FV_MIN_TIME register 0xBC. Because the measurement is in FPD3 clocks, the minimum FrameValid setup to LineValid timing at the Serializer will vary based on operating mode.

A minimum FV to LV timing is required when processing video frames at the serializer input. If the FV to LV minimum setup is not met (by default), the first video line is discarded. Optionally, a register control (PORT_CONFIG:DISCARD_1ST_ON_ERR) forwards the first video line missing some number of pixels at the start of the line. There is no timing restrictions at the end of the frame.

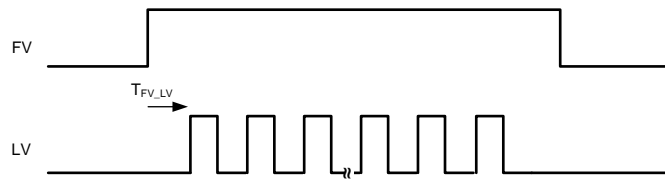


图 18. Minimum FV to LV

表 13. Minimum FV to LV Setup Requirement (in Serializer PCLKs)

| MODE | FV_MIN_TIME Conversion Factor | Absolute Min (FV_MIN_TIME = 0) | Default (FV_MIN_TIME = 128) |
|----------|-------------------------------|--------------------------------|-----------------------------|
| RAW12 LF | 1 | 2 | 130 |
| RAW12 HF | 1.5 | 3 | 195 |
| RAW10 | 2 | 5 | 261 |

For other settings of FV_MIN_TIME, the required FV to LV setup in Serializer PCLKs can be determined by:
 Absolute Min + (FV_MIN_TIME * Conversion factor)

7.4.13 CSI-2 Protocol Layer

The DS90UB960-Q1 implements High-Speed mode to forward CSI-2 Low Level Protocol data. This includes features as described in the Low Level Protocol section of the MIPI CSI-2 Specification. It supports short and long packet formats.

The feature set of the protocol layer implemented by the CSI-2 TX is:

- Transport of arbitrary data (payload-independent)
- 8-bit word size
- Support for up to four interleaved virtual channels on the same link
- Special packets for frame start, frame end, line start and line end information
- Descriptor for the type, pixel depth and format of the Application Specific Payload data
- 16-bit Checksum Code for error detection

图 19 shows the CSI-2 protocol layer with short and long packets.

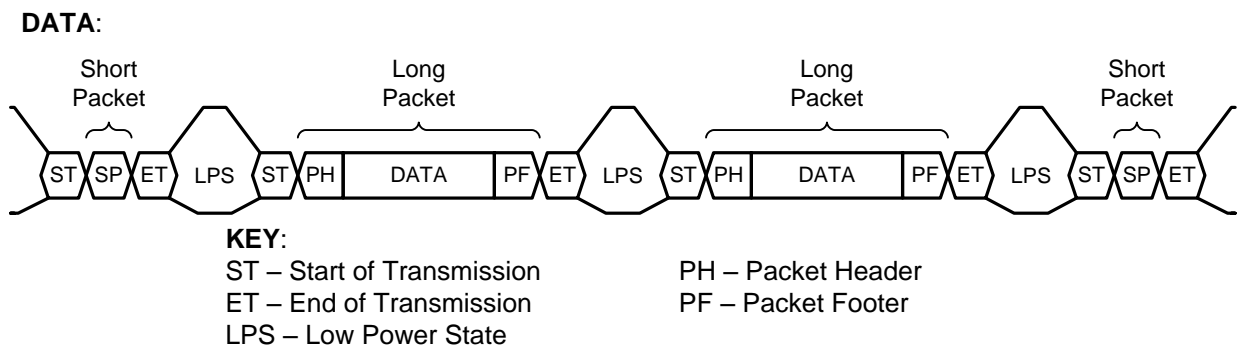
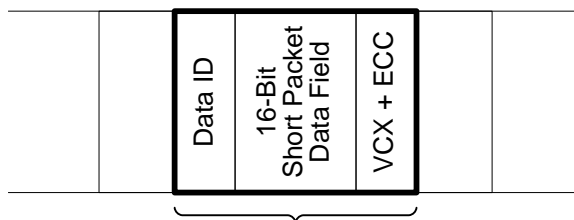


图 19. CSI-2 Protocol Layer With Short and Long Packets

7.4.14 CSI-2 Short Packet

The short packet provides frame or line synchronization. 图 20 shows the structure of a short packet. A short packet is identified by data types 0x00 to 0x0F.



32-bit SHORT PACKET (SH)
Data Type (DT) = 0x00 – 0x0F

图 20. CSI-2 Short Packet Structure

7.4.15 CSI-2 Long Packet

A long packet consists of three elements: a 32-bit packet header (PH), an application-specific data payload with a variable number of 8-bit data words, and a 16-bit packet footer (PF). The packet header is further composed of three elements: an 8-bit data identifier, a 16-bit word count field, and an 8-bit ECC. The packet footer has one element, a 16-bit checksum. [图 21](#) shows the structure of a long packet.

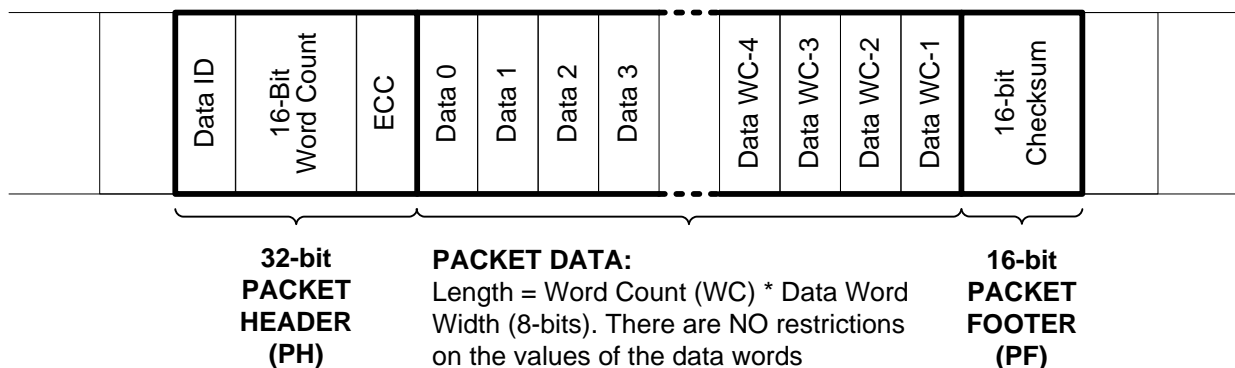


图 21. CSI-2 Long Packet Structure

表 14. CSI-2 Long Packet Structure Description

| PACKET PART | FIELD NAME | SIZE (BIT) | DESCRIPTION |
|-------------|--------------|------------|--|
| Header | VC / Data ID | 8 | Contains the virtual channel identifier and the data-type information. |
| | Word Count | 16 | Number of data words in the packet data. A word is 8 bits. |
| | ECC | 8 | ECC for data ID and WC field. Allows 1-bit error recovery and 2-bit error detection. |
| Data | Data | WC * 8 | Application-specific payload (WC words of 8 bits). |
| Footer | Checksum | 16 | 16-bit cyclic redundancy check (CRC) for packet data. |

7.4.16 CSI-2 Data Identifier

The DS90UB960-Q1 MIPI CSI-2 protocol interface transmits the data identifier byte containing the values for the virtual channel ID (VC) and data type (DT) for the application specific payload data, as shown in [图 22](#). The virtual channel ID is contained in the 2 MSBs of the data identifier byte and identify the data as directed to one of four virtual channels. The value of the data type is contained in the 6 LSbs of the data identifier byte. When partnered with a DS90UB935-Q1 or DS90UB953-Q1 serializer, the Data Type is passed through from the received CSI-2 packets. When partnered with a DS90UB933-Q1 or DS90UB913A-Q1 the received RAW mode data is converted to CSI-2 Tx packets with assigned data type and virtual channel ID.

For each RX Port, register defines with which channel and data type the context is associated:

- For FPD Receiver port operating in RAW input mode connected to a DS90UB933-Q1 or DS90UB913A-Q1

serializer, register 0x70 describes RAW10 Mode and 0x71 RAW12 Mode.

- RAW1x_VC[7:6] field defines the associated virtual ID transported by the CSI-2 protocol from the camera sensor.
- RAW1x_ID[5:0] field defines the associated data type. The data type is a combination of the data type transported by the CSI-2 protocol.

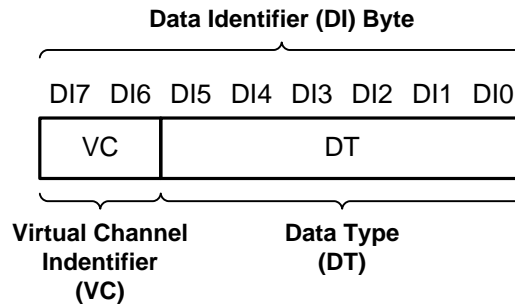


图 22. CSI-2 Data Identifier Structure

7.4.17 Virtual Channel and Context

The CSI-2 protocol layer transports virtual channels. The purpose of virtual channels is to separate different data flows interleaved in the same data stream. Each virtual channel is identified by a unique channel identification number in the packet header. Therefore, a CSI-2 TX context can be associated with a virtual channel and a data type. Virtual channels are defined by a 2-bit field. This channel identification number is encoded in the 2-bit code.

The CSI-2 TX transmits the channel identifier number and multiplexes the interleaved data streams. The CSI-2 TX supports up to four concurrent virtual channels.

7.4.18 CSI-2 Mode Virtual Channel Mapping

The CSI-2 Mode provides per-port Virtual Channel ID mapping. For each FPD-Link III input port, separate mapping may be done for each input VC-ID to any of the four VC-ID values. The mapping is controlled by the VC_ID_MAP register. This function sends the output as a time-multiplexed CSI-2 stream, where the video sources are differentiated by the virtual channel.

7.4.18.1 Example 1

The DS90UB960-Q1 is receiving data from sensors attached to each port. Each port is sending a video stream using VC-ID of 0. The DS90UB960-Q1 can be configured to re-map the incoming VC-IDs to ensure each video stream has a unique ID. The direct implementation would map incoming VC-ID of 0 for RX Port 0, VC-ID of 1 for RX Port 1, VC-ID of 2 for RX Port 2, and VC-ID of 3 for RX Port 3.

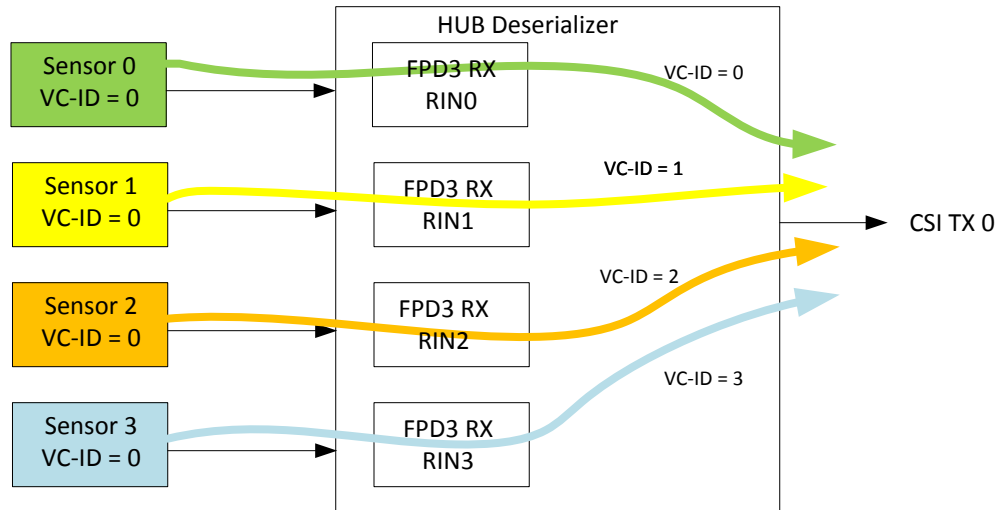


图 23. VC-ID Mapping Example 1

7.4.18.2 Example 2:

The DS90UB960-Q1 is receiving two video streams from sensors on each input port. Each sensor is sending video streams using VC-IDs 0 and 1. Receive Ports 0 and 2 map the VC-IDs directly without change. Receive Ports 1 and 3 map the VC-IDs 0 and 1 to VC-IDs 2 and 3. In addition, RX Ports 0 and 1 are assigned to CSI-2 Transmitter 0 which RX Ports 2 and 3 are assigned to CSI-2 Transmitter 1. This is required because each CSI-2 transmitter is limited to 4 VC-IDs per MIPI specification.

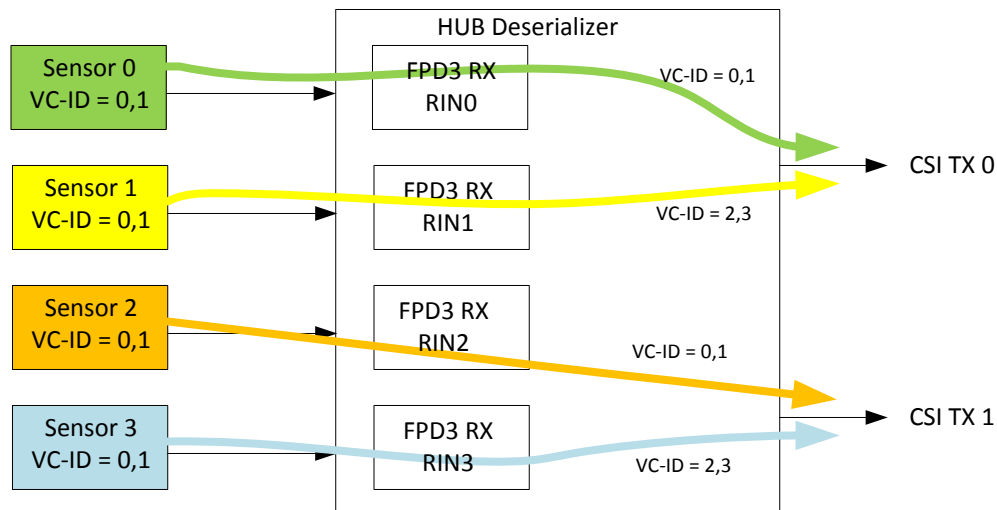


图 24. VC-ID Mapping Example 2

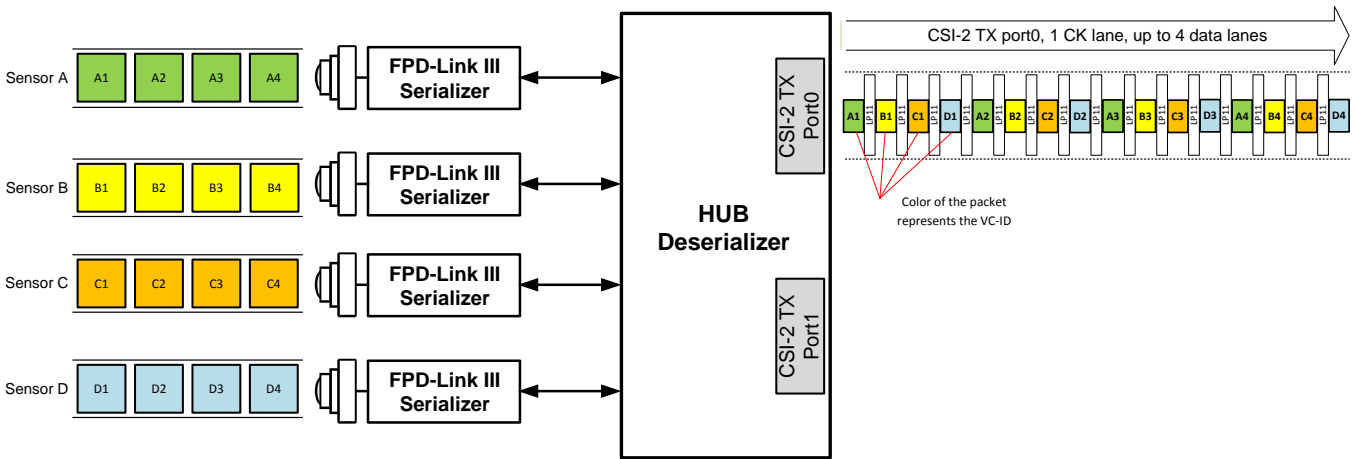


图 25. Four Sensor Data onto CSI-2 With Virtual Channels (VC-ID)

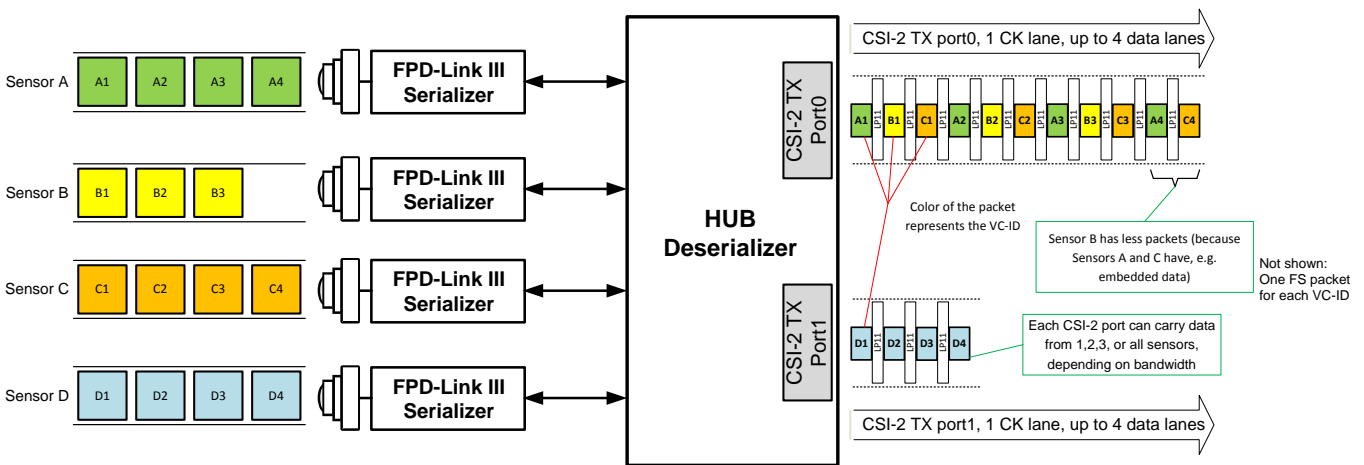


图 26. Four Sensor Data onto CSI-2 With Virtual Channels (VC-ID) With Different Frame Size

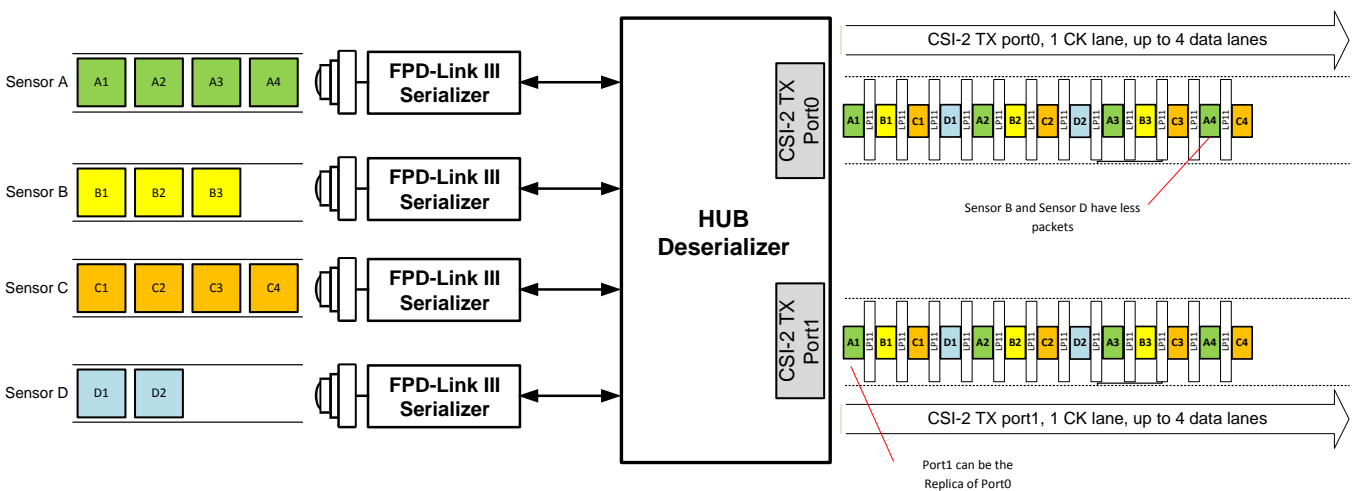


图 27. Four Sensor Data onto 1xCSI-2 Replicated With Virtual Channels (VC-ID) With Different Frame Size

7.4.19 CSI-2 Transmitter Frequency

The CSI-2 Transmitters may operate at 400 Mbps, 800 Mbps, 1.2 Gbps (not available on prototype devices, PDS90UB960 A0 or A1) or 1.6 Gbps per data lane. This operation is controlled through the CSI_PLL_CTL 0x1F register (Table 52).

表 15. CSI-2 Transmitter Data Rate vs CSI_PLL_CTL

| CSI_PLL_CTL[1:0] | CSI-2 TX Data Rate | REFCLK Frequency |
|------------------|--------------------|------------------|
| 00 | 1.664 Gbps | 26 MHz |
| | 1.6 Gbps | 25 MHz |
| | 1.472 Gbps | 23 MHz |
| 01 | 1.2 Gbps | 25 MHz |
| 10 | 800 Mbps | 25 MHz |
| 11 | 400 Mbps | 25 MHz |

When configuring to 800 Mbps or 1.6 Gbps, the CSI-2 timing parameters are automatically set based on the CSI_PLL_CTL 0x1F register. In the case of 400 Mbps, the respective CSI-2 timing parameters registers must be programmed, and the appropriate override bit must be set. To enable CSI-2 400 Mbps mode, set the following registers:

```
# Set CSI-2 Timing parameters
WriteI2C(0xB0,0x2)    # set auto-increment, page 0
WriteI2C(0xB1,0x40)   # CSI-2 Port 0
WriteI2C(0xB2,0x83)   # TCK Prep
WriteI2C(0xB2,0x8D)   # TCK Zero
WriteI2C(0xB2,0x87)   # TCK Trail
WriteI2C(0xB2,0x87)   # TCK Post
WriteI2C(0xB2,0x83)   # THS Prep
WriteI2C(0xB2,0x86)   # THS Zero
WriteI2C(0xB2,0x84)   # THS Trail
WriteI2C(0xB2,0x86)   # THS Exit
WriteI2C(0xB2,0x84)   # TLPX
# Set CSI-2 Timing parameters
WriteI2C(0xB0,0x2)    # set auto-increment, page 0
WriteI2C(0xB1,0x60)   # CSI-2 Port 1
WriteI2C(0xB2,0x83)   # TCK Prep
WriteI2C(0xB2,0x8D)   # TCK Zero
WriteI2C(0xB2,0x87)   # TCK Trail
WriteI2C(0xB2,0x87)   # TCK Post
WriteI2C(0xB2,0x83)   # THS Prep
WriteI2C(0xB2,0x86)   # THS Zero
WriteI2C(0xB2,0x84)   # THS Trail
WriteI2C(0xB2,0x86)   # THS Exit
WriteI2C(0xB2,0x84)   # TLPX
```

7.4.20 CSI-2 Output Bandwidth

During normal operation, CSI-2 transmitter output bandwidth is reduced as it needs to transition between Low-Power and High-Speed modes. The minimum CSI-2 High-Speed data transmission overhead consists of T_{LPX} , $T_{HS-PREPARE}$, $T_{HS-ZERO}$, $T_{HS-SYNC}$, $T_{HS-TRAIL}$, and $T_{HS-EXIT}$ as illustrated in 图 6. The bandwidth is further reduced when operating in Discontinuous CSI-2 Clock mode as the CSI-2 clock requires additional overhead time to transition between Low-Power and Clock Transmission modes. The minimum CSI-2 Discontinuous Clock timing overhead consists of $T_{CLK-POST}$, $T_{CLK-TRAIL}$, $T_{CLK-PREPARE}$, $T_{CLK-ZERO}$, and $T_{CLK-PRE}$ as illustrated in 图 7. The typical CSI-2 timing overhead is given in 表 16.

表 16. CSI-2 Transmitter Overhead vs Data Rate

| CSI-2 TX Data Rate | CSI-2 TX Overhead, $t_{CSI_Overhead}$ [μs] | |
|--------------------|---|---------------------------------------|
| | Continuous CSI-2 Clock (0x33[1]=1) | Discontinuous CSI-2 Clock (0x33[1]=0) |
| 1.664 Gbps | 0.73 | 1.68 |
| 1.6 Gbps | 0.76 | 1.74 |
| 1.472 Gbps | 0.83 | 1.89 |
| 1.2 Gbps | 0.91 | 1.92 |
| 800 Mbps | 0.93 | 2.06 |
| 400 Mbps | 1.30 | 2.65 |

For Best-Effort Round Robin, Basic Synchronized or Line-Interleaved CSI-2 Forwarding, the maximum CSI-2 bandwidth for each CSI-2 port is defined in 公式 1.

$$BW = \frac{H_{active} \cdot N_{bits/pxl}}{\frac{H_{active} \cdot N_{bits/pxl}}{N_{CSI_Lanes} \cdot f_{CSI}} + t_{CSI_Overhead}} \quad (1)$$

For Line-Concatenated CSI-2 Forwarding, the maximum CSI-2 output bandwidth for each CSI-2 port is defined in 公式 2.

$$BW_{LC} = \frac{N_{sensor} \cdot H_{active} \cdot N_{bits/pxl}}{\frac{N_{sensor} \cdot H_{active} \cdot N_{bits/pxl}}{N_{CSI_Lanes} \cdot f_{CSI}} + t_{CSI_Overhead}}$$

where

- N_{sensor} is the number of sensors attached to the DS90UB960-Q1
- H_{active} is the horizontal line length of the active video frame in pixels
- $N_{bits/pxl}$ is the number of bits per pixel
- N_{CSI_Lanes} is the number of CSI-2 Lanes
- f_{CSI} is the CSI-2 TX data rate per lane in Hz
- $t_{CSI_Overhead}$ is the CSI-2 High-speed data and clock timing overhead as given in 表 16

7.4.20.1 CSI-2 Output Bandwidth Calculation Example

Assuming the following:

- Four identical sensors are attached to the DS90UB960-Q1 ($N_{sensor} = 4$)
- Each sensor outputs active video frame with the horizontal line length of 1080 pixels ($H_{active} = 1080$ pixels)
- Video format is RAW12 ($N_{bits/pxl} = 12$ bits/pixel)
- DS90UB960-Q1 is configured to use a single CSI-2 port with all four CSI-2 lanes enabled ($N_{CSI_Lanes} = 4$)
- DS90UB960-Q1 CSI-2 TX is configured to operate at 800 Mbps / lane ($f_{CSI} = 800$ MHz)

For Best-Effort Round Robin, Basic Synchronized or Line-Interleaved CSI-2 Forwarding, 公式 1 gives us the maximum bandwidth of about 2.60 Gbps (out of 3.2 Gbps for 4 lanes) with continuous CSI-2 clock and about 2.12 Gbps without continuous CSI-2 clock.

For Line-Concatenated CSI-2 Forwarding, 公式 2 gives us the maximum bandwidth of about 3.03 Gbps (out of 3.2 Gbps for 4 lanes) with continuous CSI-2 clock and about 2.84 Gbps without continuous CSI-2 clock.

7.4.21 CSI-2 Transmitter Status

The status of the CSI-2 Transmitter may be monitored by readback of the CSI_STS register 0x35 (Table 74), or brought to one of the configurable GPIO pins as an output. The TX_PORT_PASS 0x35[0] indicates valid CSI-2 data being presented on CSI-2 port. If no data is being forwarded or if error conditions have been detected on the video data, the CSI-2 Pass signal will be cleared. The TX_PORT_SYNC 0x35[0] indicates the CSI-2 Tx port is able to properly synchronize input data streams from multiple sources. TX_PORT_SYNC will always return 0 if Synchronized Forwarding is disabled. Interrupts may also be generated based on changes in the CSI-2 port status.

7.4.22 Video Buffers

The DS90UB960-Q1 implements four video line buffer/FIFO, one for each RX channel. The video buffers provide storage of data payload and forward requirements for sending multiple video streams on the CSI-2 transmit ports. The total line buffer memory size is a 16-kB block for each RX port.

The CSI-2 transmitter waits for an entire packet to be available before pulling data from the video buffers.

7.4.23 CSI-2 Line Count and Line Length

The DS90UB960-Q1 counts the number of lines (long packets) to determine line count on LINE_COUNT_1/0 registers 0x73–74. For line length, DS90UB960-Q1 generates the word count field in the CSI-2 header on LINE_LEN_1/0 registers 0x75 – 0x76 (Table 134 and Table 135).

7.4.24 FrameSync Operation

A frame synchronization signal (FrameSync) can be sent through the back channel using any of the back channel GPIOs. The signal can be generated in two different methods. The first option offers sending the external FrameSync using one of the available GPIO pins on the DS90UB960-Q1 and mapping that GPIO to a back channel GPIO on one or more of the FPD-Link III ports.

The second option is to have the DS90UB960-Q1 internally generate a FrameSync signal to send through GPIO to one or more of the attached Serializers.

FrameSync signaling on the four back channels is synchronous. Thus, the FrameSync signal arrives at each of the four serializers with limited skew.

7.4.24.1 External FrameSync Control

In External FrameSync mode, an external signal is input to the DS90UB960-Q1 through one of the GPIO pins on the device. The external FrameSync signal may be propagated to one or more of the attached FPD3 Serializers through a GPIO signal in the back channel.

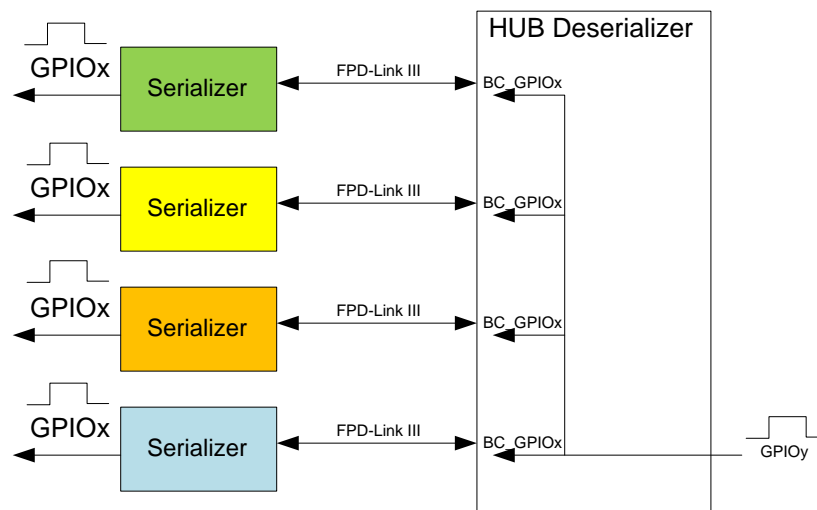


图 28. External FrameSync

Enabling the external FrameSync mode is done by setting the FS_MODE control in the FS_CTL register to a value between 0x8 (GPIO0 pin) to 0xF (GPIO7 pin). Set FS_GEN_ENABLE to 0 for this mode.

To send the FrameSync signal on a port's BC_GPIOx signal, the BC_GPIO_CTL0 or BC_GPIO_CTL1 register should be programmed for that port to select the FrameSync signal.

7.4.24.2 Internally Generated FrameSync

In Internal FrameSync mode, an internally generated FrameSync signal is sent to one or more of the attached FPD3 Serializers through a GPIO signal in the back channel.

FrameSync operation is controlled by the FS_CTL, FS_HIGH_TIME_x, and FS_LOW_TIME_x 0x18 – 0x1C registers (Table 45 through Table 49). The resolution of the FrameSync generator clock (FS_CLK_PD) is derived from the back channel frame period (BC_FREQ_SELECT register). For 50-Mbps back-channel operation, the frame period is 600 ns (30 bits × 20 ns/bit). For 2.5-Mbps back-channel operation, the frame period is 12 μs (30 bits × 400 ns/bit).

Once enabled, the FrameSync signal is sent continuously based on the programmed conditions.

Enabling the internal FrameSync mode is done by setting the FS_GEN_ENABLE control in the FS_CTL register to a value of 1. The FS_MODE field controls the clock source used for the FrameSync generation. The FS_GEN_MODE field configures whether the duty cycle of the FrameSync is 50/50 or whether the high and low periods are controlled separately. The FrameSync high and low periods are controlled by the FS_HIGH_TIME and FS_LOW_TIME registers.

The accuracy of the internally generated FrameSync is directly dependent on the accuracy of the 25-MHz oscillator used as the reference clock.

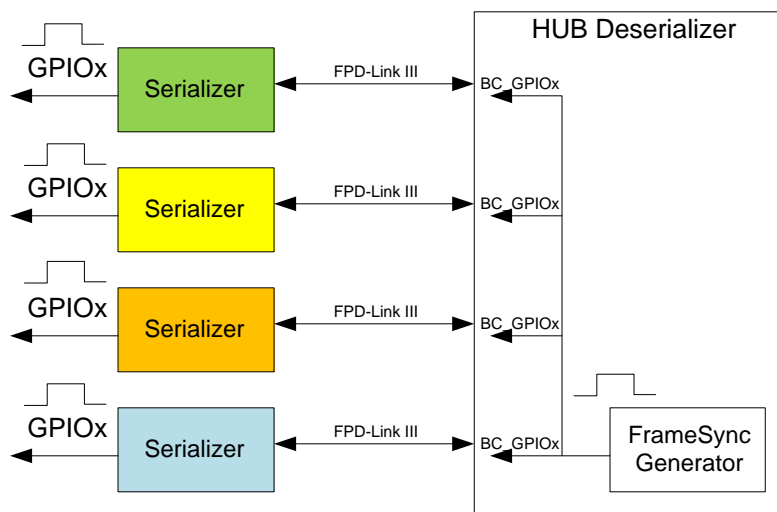
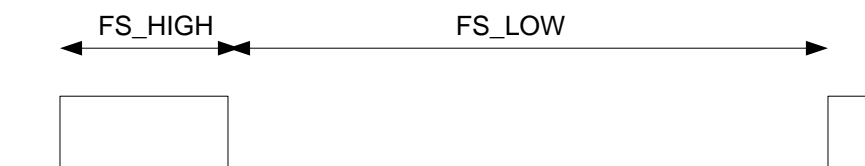


图 29. Internal FrameSync



$$FS_LOW = FS_LOW_TIME * FS_CLK_PD$$

$$FS_HIGH = FS_HIGH_TIME * FS_CLK_PD$$

where FS_CLK_PD is the resolution of the FrameSync generator clock

图 30. Internal FrameSync Signal

The following example shows generation of a FrameSync signal at 60 pulses per second. Mode settings:

- Programmable High/Low periods: FS_GEN_MODE 0x18[1]=0
- Use port 0 back channel frame period: FS_MODE 0x18[7:4]=0x0
- Back channel rate of 50 Mbps: BC_FREQ_SELECT for port 0 0x58[2:0]=110b
- Initial FS state of 0: FS_INIT_STATE 0x18[2]=0

Based on mode settings, the FrameSync is generated based upon FS_CLK_PD of 12 us.

The total period of the FrameSync is (1 sec / 60 hz) / 600 ns or approximately 27,778 counts.

For a 10% duty cycle, set the high time to 2,776 (0x0AD7) cycles, and the low time to 24,992 (0x61A0) cycles:

- FS_HIGH_TIME_1: 0x19=0x0A
- FS_HIGH_TIME_0: 0x1A=0xD7
- FS_LOW_TIME_1: 0x1B=0x61
- FS_LOW_TIME_0: 0x1C=0xA0

7.4.24.2.1 Code Example for Internally Generated FrameSync

```
WriteI2C(0x4C,0x01) # RX0
WriteI2C(0x6E,0xAA) # BC_GPIO_CTL0: FrameSync signal to GPIO0/1
WriteI2C(0x4C,0x12) # RX1
WriteI2C(0x6E,0xAA) # BC_GPIO_CTL0: FrameSync signal to GPIO0/1
WriteI2C(0x4C,0x24) # RX2
WriteI2C(0x6E,0xAA) # BC_GPIO_CTL0: FrameSync signal to GPIO0/1
WriteI2C(0x4C,0x38) # RX3
WriteI2C(0x6E,0xAA) # BC_GPIO_CTL0: FrameSync signal to GPIO0/1
WriteI2C(0x10,0x91) # FrameSync signal; Device Status; Enabled
WriteI2C(0x58,0x5E) # BC_FREQ_SELECT: 50 Mbps
WriteI2C(0x19,0x0A) # FS_HIGH_TIME_1
WriteI2C(0x1A,0xD7) # FS_HIGH_TIME_0
WriteI2C(0x1B,0x61) # FS_LOW_TIME_1
WriteI2C(0x1C,0xA0) # FS_LOW_TIME_0
WriteI2C(0x18,0x01) # Enable FrameSync
```

7.4.25 CSI-2 Forwarding

Video stream forwarding is handled by the forwarding control in the DS90UB960-Q1 on FWD_CTL1 register 0x20 (Table 53). The forwarding control pulls data from the video buffers for each FPD3 RX port and forwards the data to one of the CSI-2 output interfaces. It also handles generation of transitions between LP and HS modes as well as sending of Synchronization frames. The forwarding control monitors each of the video buffers for packet and data availability.

Forwarding from input ports may be disabled using per-port controls. Each of the forwarding engines may be configured to pull data from any of the four video buffers, although a buffer may only be assigned to one CSI-2 Transmitter at a time. The two forwarding engines operate independently. Video buffers are assigned to the CSI-2 Transmitters using the mapping bits in the FWD_CTL1 register 0x20[7:4].

7.4.25.1 Best-Effort Round Robin CSI-2 Forwarding

By default, the round-robin (RR) forwarding of packets use standard CSI-2 method of video stream determination. No special ordering of CSI-2 packets are specified, effectively relying on the Virtual Channel Identifier (VC) and Data Type (DT) fields to distinguish video streams. Each image sensor is assigned a VC-ID to identify the source. Different data types within a virtual channel is also supported in this mode.

The forwarding engine forwards packets as they become available to the forwarding engine. In the case where multiple packets may be available to transmit, the forwarding engine typically operates in an RR fashion based on the input port from which the packets are received.

Best-effort CSI-2 RR forwarding has the following characteristics and capabilities:

- Uses Virtual Channel ID to differentiate each video stream
- Separate Frame Synchronization packets for each VC
- No synchronization requirements

This mode of operation allows input RX ports to have different video characteristics and there is no requirement that the video be synchronized between ports. The attached video processor would be required to properly decode the various video streams based on the VC and DT fields.

Best-effort forwarding is enabled by setting the CSIx_RR_FWD bits in the FWD_CTL2 register 0x21 ([Table 54](#)).

7.4.25.2 Synchronized CSI-2 Forwarding

In cases with multiple input sources, synchronized forwarding offers synchronization of all incoming data stored within the buffer. If packets arrive within a certain window, the forwarding control may be programmed to attempt to synchronize the video buffer data. In this mode, it attempts to send each channel synchronization packets in order (VC0, VC1, VC2, VC3) as well as sending packet data in the same order. In the following sections, Sensor 0 (S0), Sensor 1 (S1), Sensor 2 (S2), and Sensor 3 (S3) refers to the sensors connected at FPD3 RX port 0, RX port 1, RX port 2, and RX port 3 respectively. The following describe only the 4-port operation, but other possible port combinations can be applied.

The forwarding engine for each CSI-2 Transmitter can be configured independently and synchronize up to all four video sources.

Requirements:

- Video arriving at input ports should be synchronized within approximately 1 video line period
- All enabled ports should have valid, synchronized video
- Each port must have identical video parameters, including number and size of video lines, presence of synchronization packets, and so forth.

The forwarding engine attempts to send the video synchronized. If synchronization fails, the CSI-2 transmitter stops forwarding packets and attempt to restart sending synchronized video at the next FrameStart indication. Packets are discarded as long as the forwarding engine is unable to send the synchronized video.

Status is provided to indicate when the forwarding engine is synchronized. In addition, a flag is used to indicate that synchronization has been lost (status is cleared on a read).

Three options are available for Synchronized forwarding:

- Basic Synchronized forwarding
- Line-Interleave forwarding
- Line-Concatenated forwarding

Synchronized forwarding modes are selected by setting the CSIx_SYNC_FWD controls in the FWD_CTL2 register. To enable synchronized forwarding the following order of operations is recommended:

1. Disable Best-effort forwarding by clearing the CSIx_RR_FWD bits in the FWD_CTL2 register
2. Enable forwarding per Receive port by clearing the FWD_PORTx_DIS bits in the FWD_CTL1 register
3. Enable Synchronized forwarding in the FWD_CTL2 register

7.4.25.3 Basic Synchronized CSI-2 Forwarding

During Basic Synchronized Forwarding each forwarded frame is an independent CSI-2 video frame including FrameStart (FS), video lines, and FrameEnd (FE) packets. Each forwarded stream may have a unique VC ID. If the forwarded streams do not have a unique VC-ID, the receiving process may use the frame order to differentiate the video stream packets.

The forwarding engine attempts to send the video synchronized. If synchronization fails, the CSI-2 transmitter stops forwarding packets and attempts to restart sending synchronized video at the next FS indication. Packets are discarded as long as the forwarding engine is unable to send the synchronized video.

Example Synchronized traffic to CSI-2 Transmit port at start of frame:

FS0 – FS1 – FS2 – FS3 – S0L1 – S1L1 – S2L1 – S3L1 – S0L2 – S1L2 – S2L2 – S3L2 – S0L3 ...

Example Synchronized traffic to CSI-2 Transmit port at end of frame:

... S0LN – S1LN – S2LN – S3LN – FE0 – FE1 – FE2 – FE3

Notes:

FSx FrameStart for Sensor X
FEx FrameEnd for Sensor X
SxLy Line Y for Sensor X video frame
SxLN Last line for Sensor X video frame

Each packet includes the virtual channel ID assigned to receive port for each sensor.

7.4.25.3.1 Code Example for Basic Synchronized CSI-2 Forwarding

```

# **** RX0 VC=0 ****
WriteI2C(0x4C,0x01) # RX0
WriteI2C(0x70,0x1F) # RAW10_datatype_yuv422b10_VC0

# **** RX1 VC=1 ****
WriteI2C(0x4C,0x12) # RX1
WriteI2C(0x70,0x5F) # RAW10_datatype_yuv422b10_VC1

# **** RX2 VC=2 ****
WriteI2C(0x4C,0x24) # RX2
WriteI2C(0x70,0x9F) # RAW10_datatype_yuv422b10_VC2

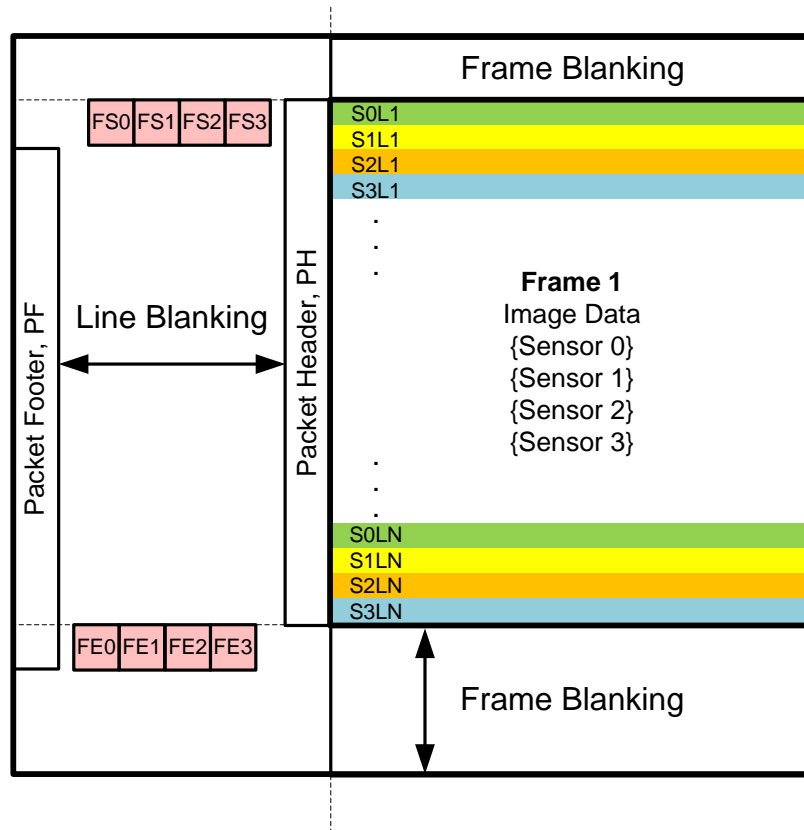
# **** RX3 VC=3 ****
WriteI2C(0x4C,0x38) # RX3
WriteI2C(0x70,0xDF) # RAW10_datatype_yuv422b10_VC3

# "CSI_PORT_SEL"
WriteI2C(0x32,0x01) # CSI0 select

# "CSI_EN"
WriteI2C(0x33,0x1) # CSI_EN & CSI0 4L

# ****Basic_FWD"
WriteI2C(0x21,0x14) # Synchronized Basic_FWD

# ****FWD_PORT all RX to CSI0"
WriteI2C(0x20,0x00) # forwarding of all RX to CSI0
  
```



KEY:

PH – Packet Header
 FS – Frame Start
 LS – Line Start

PF – Packet Footer + Filler (if applicable)
 FE – Frame End
 LE – Line End



*Blanking intervals do not provide accurate synchronization timing

图 31. Basic Synchronized Format

7.4.25.4 Line-Interleaved CSI-2 Forwarding

In synchronized forwarding, the forwarding engine may be programmed to send only one of each synchronization packet. For example, if forwarding from all four input ports, only one FS, FE packet is sent for each video frame. The synchronization packets for the other 3 ports are dropped. The video line packets for each video stream are sent as individual packets. This effectively merges the frames from N video sources into a single frame that has N times the number of video lines.

In this mode, all video streams must also have the same VC, although this is not checked by the forwarding engine. This is useful when connected to a controller that does not support multiple VCs. The receiving processor must process the image based on order of video line reception.

Example Synchronized traffic to CSI-2 Transmit port at start of frame:

FS0 – S0L1 – S1L1 – S2L1 – S3L1 – S0L2 – S1L2 – S2L2 – S3L2 – S0L3 ...

Example Synchronized traffic to CSI-2 Transmit port at end of frame:

... S0LN – S1LN – S2LN – S3LN – FE0

Notes:

FSx FrameStart for Sensor X
FEx FrameEnd for Sensor X
SxLy Line Y for Sensor X video frame
SxLN Last line for Sensor X video frame

All packets would have the same VC ID.

7.4.25.4.1 Code Example for Line-Interleaved CSI-2 Forwarding

```
# **** RX0 VC=0 ****
WriteI2C(0x4c,0x01) # RX0
WriteI2C(0x70,0x1f) # RAW10_datatype_yuv422b10_VC

# **** RX1 VC=0 ****
WriteI2C(0x4c,0x12) # RX1
WriteI2C(0x70,0x1f) # RAW10_datatype_yuv422b10_VC

# **** RX2 VC=0 ****
WriteI2C(0x4c,0x24) # RX2
WriteI2C(0x70,0x1f) # RAW10_datatype_yuv422b10_VC

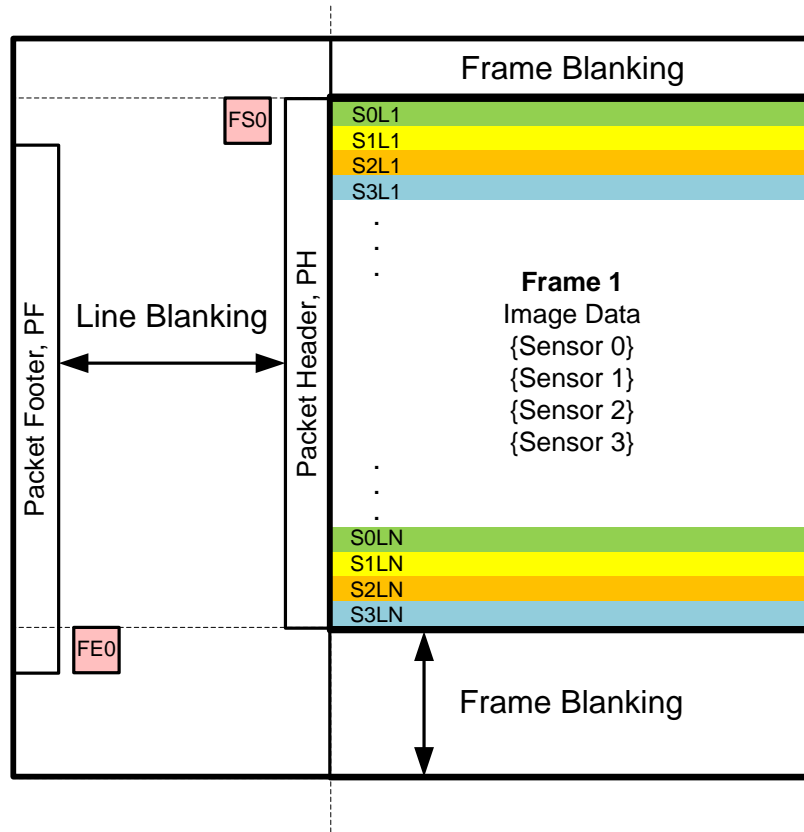
# **** RX3 VC=0 ****
WriteI2C(0x4c,0x38) # RX3
WriteI2C(0x70,0x1f) # RAW10_datatype_yuv422b10_VC

# "CSI_PORT_SEL"
WriteI2C(0x32,0x01) # CSI0 select

# "CSI_EN"
WriteI2C(0x33,0x1) # CSI_EN & CSI0 4L

# **** CSI0_SYNC_FWD synchronous forwarding with line interleaving ****
WriteI2C(0x21,0x28) # synchronous forwarding with line interleaving

# **** FWD_PORT all RX to CSI0"
WriteI2C(0x20,0x00) # forwarding of all RX to CSI0
```



KEY:

PH – Packet Header
 FS – Frame Start
 LS – Line Start

PF – Packet Footer + Filler (if applicable)
 FE – Frame End
 LE – Line End



**Blanking intervals do not provide accurate synchronization timing*

图 32. Line-Interleave Format

7.4.25.5 Line-Concatenated CSI-2 Forwarding

In synchronized forwarding, the forwarding engine may be programmed to merge video frames from multiple sources into a single video frame by concatenating video lines. Each of the sensors for each RX carry different data streams that get concatenated into one CSI-2 stream. For example, if forwarding from all four input ports, only one FS, an FE packet is sent for each video frame. The synchronization packets for the other 3 ports are dropped. In addition, the video lines from each sensor are combined into a single line. The controller must separate the single video line into the separate components based on position within the concatenated video line.

Example Synchronized traffic to CSI-2 Transmit port at start of frame:

FS0 – S0L1,S1L1,S2L1,S3L1 – S0L2,S1L2,S2L2,S3L2 – S0L3,S1L3,S2L3,S3L3 ...

Example Synchronized traffic to CSI-2 Transmit port at end of frame:

... S0LN,S1LN,S2LN,S3LN – FE0

Notes:

FSx FrameStart for Sensor X

FEx FrameEnd for Sensor X
SxLy Line Y for Sensor X video frame
SxLN Last line for Sensor X video frame

S0L1,S1L1,S2L1,S3L1 indicates concatenation of the first video line from each sensor into a single video line. This packet has a modified header and footer that matches the concatenated line data.

Packets would have the same VC ID, based on the VC ID for the lowest number sensor port being forwarded.

Lines are concatenated on a byte basis without padding between video line data.

7.4.25.5.1 Code Example for Line-Concatenated CSI-2 Forwarding

```
# **** RX0 VC=0 ****
WriteI2C(0x4c,0x01) # RX0
WriteI2C(0x70,0x1f) # RAW10_datatype_yuv422b10_VC0

# **** RX1 VC=0 ****
WriteI2C(0x4c,0x12) # RX1
WriteI2C(0x70,0x1f) # RAW10_datatype_yuv422b10_VC0

# **** RX2 VC=0 ****
WriteI2C(0x4c,0x24) # RX2
WriteI2C(0x70,0x1f) # RAW10_datatype_yuv422b10_VC0

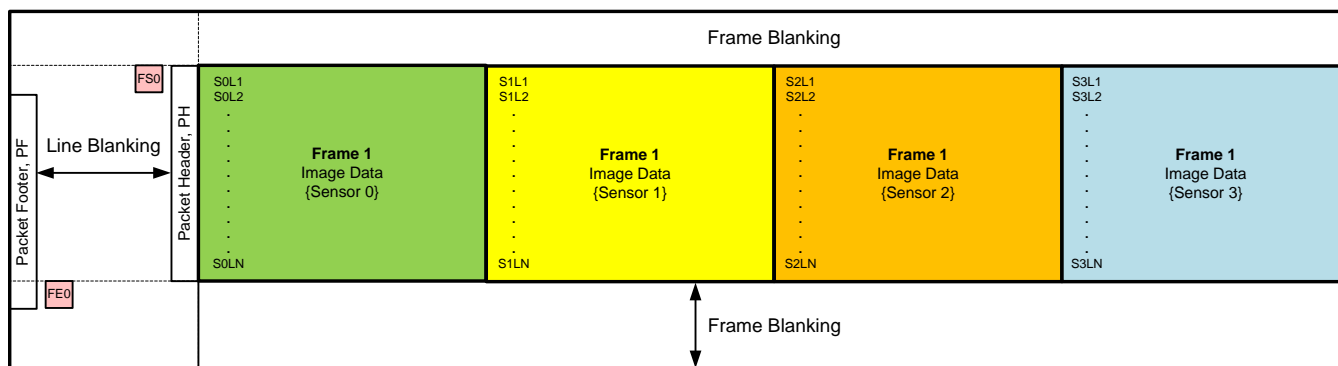
# **** RX3 VC=0 ****
WriteI2C(0x4c,0x38) # RX3
WriteI2C(0x70,0x1f) # RAW10_datatype_yuv422b10_VC0

# "CSI_PORT_SEL"
WriteI2C(0x32,0x01) # CSI0 select

# "CSI_EN"
WriteI2C(0x33,0x1) # CSI_EN & CSI0 4L

# **** CSI0_SYNC_FWD synchronous forwarding with line concatenation ****
WriteI2C(0x21,0x3c) # synchronous forwarding with line concatenation

# ****FWD_PORT all RX to CSI0"
WriteI2C(0x20,0x00) # forwarding of all RX to CSI0
```



| | | | |
|-----------------------|-----------------------|--|--|
| Sensor 0 VC-ID = 0 | Sensor 1 VC-ID = 0 | KEY: PH – Packet Header FS – Frame Start LS – Line Start | PF – Packet Footer + Filler (if applicable) FE – Frame End LE – Line End |
| Sensor 2 VC-ID = 0 | Sensor 3 VC-ID = 0 | | |

*Blanking intervals do not provide accurate synchronization timing

图 33. Line-Concatenated Format

7.4.25.6 CSI-2 Replicate Mode

In CSI-2 Replicate mode, both ports can be programmed to output the same data. The output from CSI-2 port 0 is also presented on CSI-2 port 1.

To configure this mode of operation, set the CSI_REPLICATE bit in the FWD_CTL2 register (Table 54).

7.4.25.7 CSI-2 Transmitter Output Control

Two register controls allow control of CSI-2 Transmitter outputs to disable the CSI-2 Transmitter outputs. If the OUTPUT_SLEEP_STATE_SELECT (OSS_SEL) control is set to 0 in the GENERAL_CFG 0x02 register (Table 23), the CSI-2 Transmitter outputs are forced to the HS-0 state. If the OUTPUT_ENABLE (OEN) register bit is set to 0 in the GENERAL_CFG register, the CSI-2 pins are set to the high-impedance state.

For normal operation (OSS_SEL and OEN both set to 1), the detection of activity on FPD3 inputs determines the state of the CSI-2 outputs. The FPD3 inputs are considered active if the Receiver indicates valid lock to the incoming signal. For a CSI-2 TX port, lock is considered valid if any Received port mapped to the TX port is indicating Lock.

表 17. CSI-2 Output Control Options

| PDB pin | OSS_SEL | OEN | FPD3 INPUT | CSI-2 PIN STATE |
|---------|---------|-----|------------|-----------------|
| 0 | X | X | X | Hi-Z |
| 1 | 0 | X | X | HS-0 |
| 1 | 1 | 0 | X | Hi-Z |
| 1 | 1 | 1 | Inactive | Hi-Z |
| 1 | 1 | 1 | Active | Valid |

7.4.25.8 Enabling and Disabling CSI-2 Transmitters

Once enabled, it is typically best to leave the CSI-2 Transmitter enabled, and only change the forwarding controls if changes are required to the system. When enabling and disabling the CSI-2 Transmitter, forwarding should be disabled to ensure proper start and stop of the CSI-2 Transmitter.

When enabling and disabling the CSI-2 Transmitter, use the following sequence:

To Disable:

1. Disable Forwarding for assigned ports in the FWD_CTL1 register
2. Disable CSI-2 Periodic Calibration (if enabled) in the CSI_CTL2 register
3. Disable Continuous Clock operation (if enabled) in the CSI_CTL register
4. Clear CSI-2 Transmit enable in CSI_CTL register

To Enable:

1. Set CSI-2 Transmit enable (and Continuous clock if desired) in CSI_CTL register
2. Enable CSI-2 Periodic Calibration (if desired) in the CSI_CTL2 register
3. Enable Forwarding for assigned ports in the FWD_CTL1 register

7.5 Programming

7.5.1 Serial Control Bus

The DS90UB960-Q1 implements two I2C compatible serial control buses. Both I2C ports support local device configuration and incorporate a bidirectional control channel (BCC) that allows communication with a remote serializers as well as remote I2C slave devices.

The device address is set through a resistor divider connected to the IDx pin (R1 and R2 – see 图 34).

Programming (接下页)

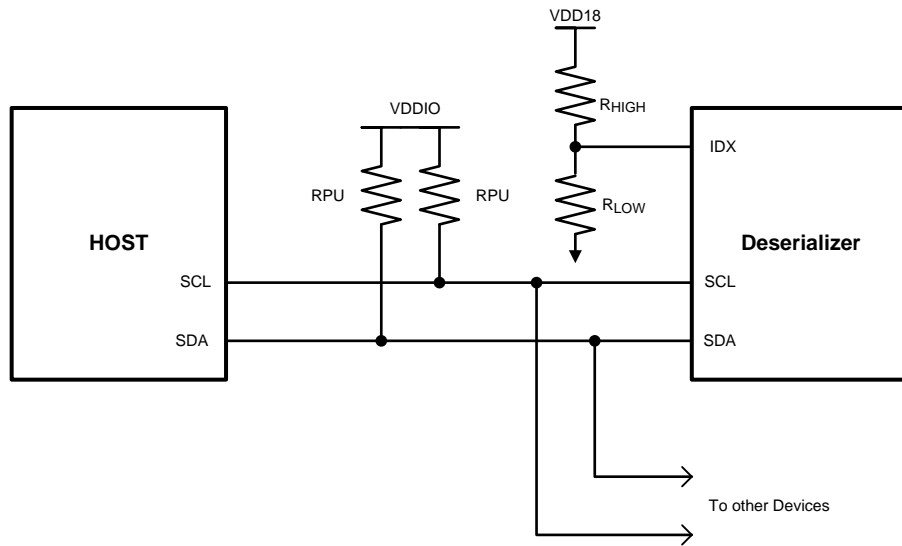


图 34. Serial Control Bus Connection

The serial control bus consists of two signals, SCL and SDA. SCL is a Serial Bus Clock Input. SDA is the Serial Bus Data Input / Output signal. Both SCL and SDA signals require an external pullup resistor to VDDIO. For most applications, TI recommends a 4.7-kΩ pullup resistor to VDDIO. However, the pullup resistor value may be adjusted for capacitive loading and data rate requirements. The signals are either pulled High, or driven Low.

The IDX pin configures the control interface to one of eight possible device addresses. A pullup resistor and a pull-down resistor may be used to set the appropriate voltage ratio between the IDX input pin (V_{IDX}) and $V_{(VDD18)}$, each ratio corresponding to a specific device address. See 表 18, Serial Control Bus Addresses for IDX.

表 18. Serial Control Bus Addresses for IDX

| NO | V_{IDX} VOLTAGE RANGE | | | V_{IDX} TARGET VOLTAGE | SUGGESTED STRAP RESISTORS (1% TOL) | | PRIMARY ASSIGNED I2C ADDRESS | |
|----|----------------------------|----------------------------|----------------------------|--------------------------|------------------------------------|----------------|------------------------------|-------|
| | V_{MIN} | V_{TYP} | V_{MAX} | $VDD18 = 1.80\text{ V}$ | R_{HIGH} (kΩ) | R_{LOW} (kΩ) | 7-BIT | 8-BIT |
| 0 | 0 | 0 | $0.131 \times V_{(VDD18)}$ | 0 | OPEN | 10.0 | 0x30 | 0x60 |
| 1 | $0.179 \times V_{(VDD18)}$ | $0.213 \times V_{(VDD18)}$ | $0.247 \times V_{(VDD18)}$ | 0.374 | 88.7 | 23.2 | 0x32 | 0x64 |
| 2 | $0.296 \times V_{(VDD18)}$ | $0.330 \times V_{(VDD18)}$ | $0.362 \times V_{(VDD18)}$ | 0.582 | 75.0 | 35.7 | 0x34 | 0x68 |
| 3 | $0.412 \times V_{(VDD18)}$ | $0.443 \times V_{(VDD18)}$ | $0.474 \times V_{(VDD18)}$ | 0.792 | 71.5 | 56.2 | 0x36 | 0x6C |
| 4 | $0.525 \times V_{(VDD18)}$ | $0.559 \times V_{(VDD18)}$ | $0.592 \times V_{(VDD18)}$ | 0.995 | 78.7 | 97.6 | 0x38 | 0x70 |
| 5 | $0.642 \times V_{(VDD18)}$ | $0.673 \times V_{(VDD18)}$ | $0.704 \times V_{(VDD18)}$ | 1.202 | 39.2 | 78.7 | 0x3A | 0x74 |
| 6 | $0.761 \times V_{(VDD18)}$ | $0.792 \times V_{(VDD18)}$ | $0.823 \times V_{(VDD18)}$ | 1.420 | 25.5 | 95.3 | 0x3C | 0x78 |
| 7 | $0.876 \times V_{(VDD18)}$ | $V_{(VDD18)}$ | $V_{(VDD18)}$ | 1.8 | 10.0 | OPEN | 0x3D | 0x7A |

The Serial Bus protocol is controlled by START, START-Repeated, and STOP phases. A START occurs when SDA transitions Low while SCL is High. A STOP occurs when SDA transitions High while SCL is also HIGH. See [图 35](#).

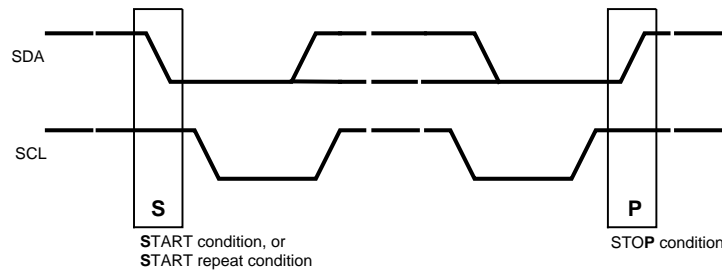


图 35. START and STOP Conditions

To communicate with a remote device, the host controller (master) sends the slave address and listens for a response from the slave. This response is referred to as an acknowledge bit (ACK). If a slave on the bus is addressed correctly, it acknowledges (ACKs) the master by driving the SDA bus low. If the address does not match a device's slave address, it not-acknowledges (NACKs) the master by letting SDA be pulled High. ACKs also occur on the bus when data is being transmitted. When the master is writing data, the slave ACKs after every data byte is successfully received. When the master is reading data, the master ACKs after every data byte is received to let the slave know it wants to receive another data byte. When the master wants to stop reading, it NACKs after the last data byte and creates a stop condition on the bus. All communication on the bus begins with either a Start condition or a Repeated Start condition. All communication on the bus ends with a Stop condition. A READ is shown in [图 36](#) and a WRITE is shown in [图 37](#).

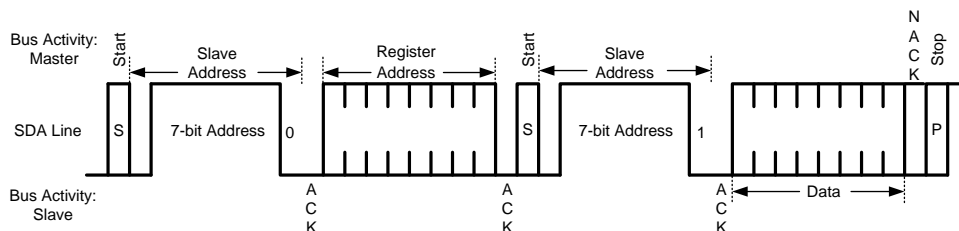


图 36. Serial Control Bus — READ

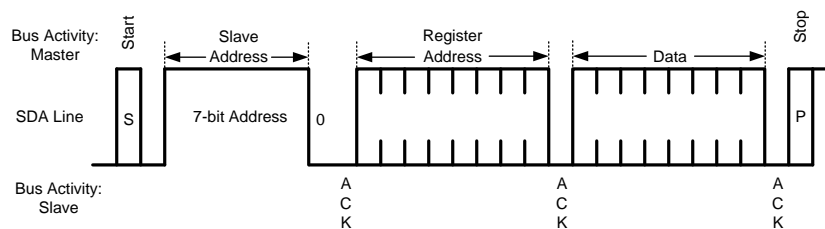


图 37. Serial Control Bus — WRITE

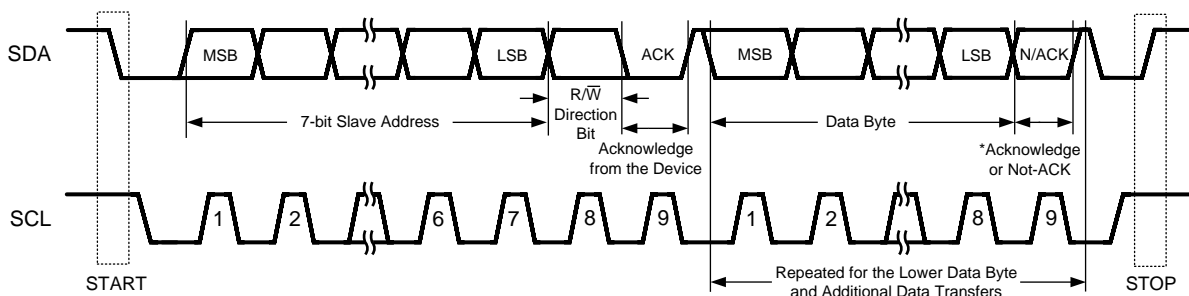


图 38. Basic Operation

The I2C Master located at the Deserializer must support I2C clock stretching. For more information on I2C interface requirements and throughput considerations, refer to [I2C Communication Over FPD-Link III With Bidirectional Control Channel](#) (SNLA131) and [I2C over DS90UB913/4 FPD-Link III With Bidirectional Control Channel](#) (SNLA222).

7.5.2 Second I2C Port

The DS90UB960-Q1 includes a second I2C port that allows bidirectional control channel access to both local registers and remote devices. Remote device access is configured on BCCx_MAP register 0x0C[7:4] ([Table 33](#)).

The second I2C port uses the same I2C address as the primary I2C port. In addition, RX Port I2C IDs are also available for the second I2C port.

In general, TI recommends that the second I2C port be used in cases where the CSI-2 TX ports are connected to separate processors. The second I2C port allows independent control of the DS90UB960-Q1 as well as remote devices by the second processor. However, Register 0x01 (RESET_CTL) can only be written by the primary I2C port.

7.5.3 I2C Slave Operation

The DS90UB960-Q1 implements an I2C-compatible slave capable of operation compliant to the Standard, Fast, and Fast-plus modes of operation allowing I2C operation at up to 1-MHz clock frequencies. Local I2C transactions to access DS90UB960-Q1 registers can be conducted 2 ms after power supplies are stable and PDB is brought high. For accesses to local registers, the I2C Slave operates without stretching the clock. The primary I2C slave address is set through the IDx pin. The primary I2C slave address is stored in the I2C Device ID register at address 0x0. In addition to the primary I2C slave address, the DS90UB960-Q1 may be programmed to respond to up to four other I2C addresses. The four RX Port ID addresses provide direct access to the Receive Port registers without needing to set the paging controls normally required to access the port registers.

7.5.4 Remote Slave Operation

The Bidirectional control channel provides a mechanism to read or write I2C registers in remote devices over the FPD-Link III interface. The I2C Master located at the Deserializer must support I2C clock stretching. Accesses to serializer or remote slave devices over the Bidirectional Control Channel will result in clock stretching to allow for response time across the link. The DS90UB960-Q1 acts as an I2C slave on the local bus, forwards read and write requests to the remote device, and returns the response from the remote device to the local I2C bus. To allow for the propagation and regeneration of the I2C transaction at the remote device, the DS90UB960-Q1 will stretch the I2C clock while waiting for the remote response. To communicate with a remote slave device, the Rx Port which is intended for messaging also must be selected in register 0x4C ([Table 93](#)). The I2C address of the currently selected RX Port serializer will be populated in register 0x5B of the DS90UB960-Q1. The BCC_CONFIG register 0x58 ([Table 105](#)) also must have bit 6, I2C_PASS_THROUGH set to one. If enabled, local I2C transactions with valid address decode will then be forwarded through the Bidirectional Control Channel to the remote I2C bus. When I2C PASS THROUGH is set, the deserializer will only propagate messages that it recognizes, such as the registered serializer alias address (SER ALIAS), or any registered remote slave alias attached to the serializer I2C bus (SLAVE ALIAS) assigned to the specific Rx Port. Setting PASS THROUGH ALL and AUTO ACK are less common use cases and primarily used for debugging I2C messaging as they will respectively pass all addresses regardless of valid I2C address (PASS_THROUGH_ALL) and acknowledge all I2C commands without waiting for a response from serializer (AUTO_ACK).

7.5.5 Remote Slave Addressing

Various system use cases require multiple sensor devices with the same fixed I2C slave address to be remotely accessible from the same I2C bus at the deserializer. The DS90UB960-Q1 provides slave ID virtual addressing to differentiate target slave addresses when connecting two or more remote devices. Eight pairs of SlaveAlias and SlaveID registers are allocated for each FPD-Link III Receive port in registers 0x5D through 0x6C ([Table 110](#) through [Table 125](#)). The SlaveAlias register allows programming a virtual address which the host controller uses to access the remote device. The SlaveID register provides the actual slave address for the device on the remote I2C bus. Since eight pairs of registers are available for each port (total of 16 pairs), multiple devices may be directly accessible remotely without need for reprogramming. Multiple SlaveAlias can be assigned to the same SlaveID as well.

7.5.6 Broadcast Write to Remote Devices

The DS90UB960-Q1 provides a mechanism to broadcast I2C writes to remote devices (either remote slaves or serializers). For each Receive port, the SlaveID/Alias register pairs would be programmed with the same SlaveAlias value so they would each respond to the local I2C access. The SlaveID value would match the intended remote device address, either remote slave or serializers. For each receive port, one of the SlaveAlias registers is set with an Alias value. For each port, the SlaveID value is set to the address of the remote device. These values may be the same. To access the remote serializer registers rather than a remote slave, the serializer ID (SER_IDx or SER_IDy) would be used as the SlaveID value.

7.5.6.1 Code Example for Broadcast Write

```
# "FPD3_PORT_SEL Boardcast RX0/1/2/3"
WriteI2C(0x4c,0x0f) # RX_PORT0 read; RX0/1/2/3 write

# "enable pass throu"
WriteI2C(0x58,0x58) # enable pass throu

WriteI2C(0x5c,0x18) # "SER_ALIASE_ID"

WriteI2C(0x5d,0x60) # "SlaveID[0]"

WriteI2C(0x65,0x60) # "SlaveAlias[0]"

WriteI2C(0x7c,0x01) # "FV_POLARITY"

WriteI2C(0x70,0x1f) # RAW10_datatype_yuv422b10_VCO
```

7.5.7 I2C Master Proxy

The DS90UB960-Q1 implements an I2C master that acts as a proxy master to regenerate I2C accesses originating from a remote serializer (DS90UB933-Q1 or DS90UB953-Q1). By default the I2C Master Enable bit (I2C_MASTER_EN) in register 0x02[5] = 0 to block Master access to local deserialiizer I2C from remote serializers. Set I2C_MASTER_EN = 1 if system requires the deserialiizer to act as proxy master for remote serializers on the local deserialiizer I2C bus. The proxy master is an I2C compatible master, capable of operating with Standard-mode, Fast-mode, or Fast-mode Plus I2C timing. It is also capable of arbitration with other masters, allowing multiple masters and slaves to exist on the I2C bus. A separate I2C proxy master is implemented for each Receive port. This allows independent operation for all sources to the I2C interface. Arbitration between multiple sources is handled automatically using I2C multi-master arbitration.

7.5.8 I2C Master Proxy Timing

The proxy master timing parameters are based on the REFCLK timing. Timing accuracy for the I2C proxy master based on the REFCLK clock source attached to the DS90UB960-Q1 deserialiizer. Before REFCLK is applied the deserialiizer will default to internal reference clock with accuracy of 25 MHz ±10%. The I2C Master regenerates the I2C read or write access using timing controls in the registers 0x0A and 0x0B (Table 31 and Table 32) to regenerate the clock and data signals to meet the desired I2C timing in standard, fast, or fast-plus modes of operation.

I2C Master SCL High Time is set in register 0x0A[7:0]. This field configures the high pulse width of the SCL output when the Serializer is the Master on the local deserialiizer I2C bus. The default value is set to provide a minimum 5 μ s SCL high time with the reference clock at 25 MHz + 100 ppm including four additional oscillator clock periods or synchronization and response time. Units are 40 ns for the nominal oscillator clock frequency, giving $\text{Min_delay} = 40 \text{ ns} \times (\text{SCL_HIGH_TIME} + 4)$.

I2C Master SCL Low Time is set in register 0x0B[7:0]. This field configures the low pulse width of the SCL output when the Serializer is the Master on the local deserialiizer I2C bus. This value is also used as the SDA setup time by the I2C Slave for providing data prior to releasing SCL during accesses over the Bidirectional Control Channel. The default value is set to provide a minimum 5- μ s SCL high time with the reference clock at 25 MHz + 100ppm including four additional oscillator clock periods or synchronization and response time. Units are 40 ns for the nominal oscillator clock frequency, giving $\text{Min_delay} = 40 \text{ ns} \times (\text{SCL_HIGH_TIME} + 4)$. See 表 19 example settings for Standard mode, Fast mode and Fast Mode Plus timing.

表 19. Typical I2C Timing Register Settings

| I2C MODE | SCL HIGH TIME | | SCL LOW TIME | |
|-------------|---------------|-------------------------------------|--------------|-------------------------------------|
| | 0x7A[7:0] | NOMINAL DELAY AT REFCLK = 25 MHz | 0x7B[7:0] | NOMINAL DELAY AT REFCLK = 25 MHz |
| Standard | 0x7A | 5.04 μ s | 0x7A | 5.04 μ s |
| Fast | 0x13 | 0.920 μ s | 0x25 | 1.64 μ s |
| Fast - Plus | 0x06 | 0.400 μ s | 0x0C | 0.640 μ s |

7.5.8.1 Code Example for Configuring Fast Mode Plus I2C Operation

```
# "RX0 I2C Master Fast Plus Configuration"
WriteI2C(0x02,0x3E) # Enable Proxy
WriteI2C(0x4c,0x01) # Select RX_PORT0

# Set SCL High and Low Time delays

WriteI2C(0x0a,0x06) # SCL High
WriteI2C(0x0b,0x0C) # SCL Low
```

7.5.9 Interrupt Support

Interrupts can be brought out on the INTB pin as controlled by the INTERRUPT_CTL 0x23 (Table 56) and INTERRUPT_STS 0x24 (Table 57) registers. The main interrupt control registers provide control and status for interrupts from the individual sources. Sources include each of the four FPD3 Receive ports as well as each of the two CSI-2 Transmit ports. Clearing interrupt conditions requires reading the associated status register for the source. The setting of the individual interrupt status bits is not dependent on the related interrupt enable controls. The interrupt enable controls whether an interrupt is generated based on the condition, but does not prevent the interrupt status assertion.

For an interrupt to be generated based on one of the interrupt status assertions, both the individual interrupt enable and the INT_EN control must be set in the INTERRUPT_CTL 0x23 register. For example, to generate an interrupt if IS_RX0 is set, both the IE_RX0 and INT_EN bits must be set. If IE_RX0 is set but INT_EN is not, the INT status is indicated in the INTERRUPT_STS register, and the INTB pin does not indicate the interrupt condition.

See the INTERRUPT_CTL (Table 56) and INTERRUPT_STS (Table 57) register for details.

7.5.9.1 Code Example to Enable Interrupts

```
# "RX01/2/3/4 INTERRUPT_CTL enable"
WriteI2C(0x23,0xBF) # RX all & INTB PIN EN

# Individual RX01/2/3/4 INTERRUPT_CTL enable
# "RX0 INTERRUPT_CTL enable"
WriteI2C(0x4C,0x01) # RX0
WriteI2C(0x23,0x81) # RX0 & INTB PIN EN

# "RX1 INTERRUPT_CTL enable"
WriteI2C(0x4C,0x12) # RX1
WriteI2C(0x23,0x82) # RX1 & INTB PIN EN

# "RX2 INTERRUPT_CTL enable"
WriteI2C(0x4C,0x24) # RX2
WriteI2C(0x23,0x84) # RX2 & INTB PIN EN

# "RX3 INTERRUPT_CTL enable"
WriteI2C(0x4C,0x38) # RX3
WriteI2C(0x23,0x88) # RX3 & INTB PIN EN
```

7.5.9.2 FPD-Link III Receive Port Interrupts

For each FPD-Link III Receive port, multiple options are available for generating interrupts. Interrupt generation is controlled via the PORT_ICR_HI 0xD8 (Table 190) and PORT_ICR_LO 0xD9 (Table 191) registers. In addition, the PORT_ISR_HI 0xDA (Table 192) and PORT_ISR_LO 0xDB (Table 193) registers provide read-only status for the interrupts. Clearing of interrupt conditions is handled by reading the RX_PORT_STS1, RX_PORT_STS2, and CSI_RX_STS registers. The status bits in the PORT_ISR_HI/LO registers are copies of the associated bits in the main status registers.

To enable interrupts from one of the Receive port interrupt sources:

1. Enable the interrupt source by setting the appropriate interrupt enable bit in the PORT_ICR_HI or PORT_ICR_LO register
2. Set the RX Port X Interrupt control bit (IE_RXx) in the INTERRUPT_CTL register
3. Set the INT_EN bit in the INTERRUPT_CTL register to allow the interrupt to assert the INTB pin low

To clear interrupts from one of the Receive port interrupt sources:

1. (optional) Read the INTERRUPT_STS register to determine which RX Port caused the interrupt
2. (optional) Read the PORT_ISR_HI and PORT_ISR_LO registers to determine source of interrupt
3. Read the appropriate RX_PORT_STS1, RX_PORT_STS2, or CSI_RX_STS register to clear the interrupt.

The first two steps are optional. The interrupt could be determined and cleared by just reading the status registers.

7.5.9.3 Interrupts on Forward Channel GPIO

When connected to the DS90UB953-Q1 serializer, interrupts can be generated on changes in any of the four forward channel GPIOs per port. Interrupts are enabled by setting bits in the FC_GPIO_ICR register. Interrupts may be generated on rising and/or falling transitions on the GPIO signal. The GPIO interrupt status is cleared by reading the FC_GPIO_STS register.

Interrupts should only be used for GPIO signals operating at less than 10 MHz. High or low pulses that are less than 100ns might not be detected at the DS90UB960-Q1. To avoid false interrupt indications, the interrupts should not be enabled until after the Forward Channel GPIOs are enabled at the serializer.

7.5.9.4 Interrupts on Change in Sensor Status

The FPD-Link III Receiver recovers 32-bits of Sensor status from the attached DS90UB953-Q1 serializer. Interrupts may be generated based on changes in the Sensor Status values received from the forward channel. The Sensor Status consists of 4 bytes of data, which may be read from the SENSOR_STS_x registers for each Receive port. Interrupts may be generated based on a change in any of the bits in the first byte (SENSOR_STS_0). Each bit can be individually masked for Rising and/or Falling interrupts.

Two registers control the interrupt masks for the SENSOR_STS bits: SEN_INT_RISE_CTL and SEN_INT_FALL_CTL.

Two registers provide interrupt status: SEN_INT_RISE_STS, SEN_INT_FALL_STS.

If a mask bit is set, a change in the associated SENSOR_STS_0 bit will be detected and latched in the SEN_INT_RISE_STS or SEN_INT_FALL_STS registers. If the mask bit is not set, the associated interrupt status bit will always be 0. If any of the SEN_INT_RISE_STS or SEN_INT_FALL_STS bits is set, the IS_FC_SEN_STS bit will be set in the PORT_ISR_HI register.

7.5.9.5 Code Example to Readback Interrupts

```

INTERRUPT_STS = ReadI2C(0x24) # 0x24 INTERRUPT_STS

if ((INTERRUPT_STS & 0x80) >> 7):
    print "# GLOBAL INTERRUPT DETECTED "
if ((INTERRUPT_STS & 0x40) >> 6):
    print "# RESERVED "
if ((INTERRUPT_STS & 0x20) >> 5):
    print "# IS_CSI_TX1 DETECTED "
if ((INTERRUPT_STS & 0x10) >> 4):
    print "# IS_CSI_TX0 DETECTED "

```

```

if ((INTERRUPT_STS & 0x08) >> 3):
    print "# IS_RX3 DETECTED "
if ((INTERRUPT_STS & 0x04) >> 2):
    print "# IS_RX2 DETECTED "
if ((INTERRUPT_STS & 0x02) >> 1):
    print "# IS_RX1 DETECTED "
if ((INTERRUPT_STS & 0x01) ):
    print "# IS_RX0 DETECTED "

# "#####"
# "RX0 status"
# "#####"

WriteReg(0x4C,0x01) # RX0
PORT_ISR_LO = ReadI2C(0xDB)

print "0xDB PORT_ISR_LO : ", hex(PORT_ISR_LO) # readout; cleared by RX_PORT_STS2

if ((PORT_ISR_LO & 0x40) >> 6):
    print "# IS_LINE_LEN_CHG INTERRUPT DETECTED "
if ((PORT_ISR_LO & 0x20) >> 5):
    print "# IS_LINE_CNT_CHG DETECTED "
if ((PORT_ISR_LO & 0x10) >> 4):
    print "# IS_BUFFER_ERR DETECTED "
if ((PORT_ISR_LO & 0x08) >> 3):
    print "# IS_CSI_RX_ERR DETECTED "
if ((PORT_ISR_LO & 0x04) >> 2):
    print "# IS_FPD3_PAR_ERR DETECTED "
if ((PORT_ISR_LO & 0x02) >> 1):
    print "# IS_PORT_PASS DETECTED "
if ((PORT_ISR_LO & 0x01) ):
    print "# IS_LOCK_STS DETECTED "

#####

PORT_ISR_HI = ReadI2C(0xDA)

print "0xDA PORT_ISR_HI : ", hex(PORT_ISR_HI) # readout; cleared by RX_PORT_STS2

if ((PORT_ISR_HI & 0x04) >> 2):
    print "# IS_FPD3_ENC_ERR DETECTED "
if ((PORT_ISR_HI & 0x02) >> 1):
    print "# IS_BCC_SEQ_ERR DETECTED "
if ((PORT_ISR_HI & 0x01) ):
    print "# IS_BCC_CRC_ERR DETECTED "

#####

RX_PORT_STS1 = ReadI2C(0x4D) # R/COR

if ( (RX_PORT_STS1 & 0xc0) >> 6) == 3:
    print "# RX_PORT_NUM = RX3"
elif ((RX_PORT_STS1 & 0xc0) >> 6) == 2:
    print "# RX_PORT_NUM = RX2"
elif ((RX_PORT_STS1 & 0xc0) >> 6) == 1:
    print "# RX_PORT_NUM = RX1"
elif ((RX_PORT_STS1 & 0xc0) >> 6) == 0:
    print "# RX_PORT_NUM = RX0"

if ((RX_PORT_STS1 & 0x20) >> 5):
    print "# BCC_CRC_ERR DETECTED "
if ((RX_PORT_STS1 & 0x10) >> 4):
    print "# LOCK_STS_CHG DETECTED "
if ((RX_PORT_STS1 & 0x08) >> 3):
    print "# BCC_SEQ_ERROR DETECTED "
if ((RX_PORT_STS1 & 0x04) >> 2):
    print "# PARITY_ERROR DETECTED "
if ((RX_PORT_STS1 & 0x02) >> 1):
    print "# PORT_PASS=1 "
if ((RX_PORT_STS1 & 0x01) ):
    print "# LOCK_STS=1 "

#####
    
```

```

RX_PORT_STS2 = ReadI2C(0x4E)

if ((RX_PORT_STS2 & 0x80) >> 7):
    print "# LINE_LEN_UNSTABLE DETECTED "
if ((RX_PORT_STS2 & 0x40) >> 6):
    print "# LINE_LEN_CHG "
if ((RX_PORT_STS2 & 0x20) >> 5):
    print "# FPD3_ENCODE_ERROR DETECTED "
if ((RX_PORT_STS2 & 0x10) >> 4):
    print "# BUFFER_ERROR DETECTED "
if ((RX_PORT_STS2 & 0x08) >> 3):
    print "# CSI_ERR DETECTED "
if ((RX_PORT_STS2 & 0x04) >> 2):
    print "# FREQ_STABLE DETECTED "
if ((RX_PORT_STS2 & 0x02) >> 1):
    print "# NO_FPD3_CLK DETECTED "
if ((RX_PORT_STS2 & 0x01) ):
    print "# LINE_CNT_CHG DETECTED "

#####

# "#####"
# "RX1 status"
# "#####"

WriteReg(0x4C,0x12) # RX1
PORT_ISR_LO = ReadI2C(0xDB) # PORT_ISR_LO readout; cleared by RX_PORT_STS2

if ((PORT_ISR_LO & 0x40) >> 6):
    print "# IS_LINE_LEN_CHG INTERRUPT DETECTED "
if ((PORT_ISR_LO & 0x20) >> 5):
    print "# IS_LINE_CNT_CHG DETECTED "
if ((PORT_ISR_LO & 0x10) >> 4):
    print "# IS_BUFFER_ERR DETECTED "
if ((PORT_ISR_LO & 0x08) >> 3):
    print "# IS_CSI_RX_ERR DETECTED "
if ((PORT_ISR_LO & 0x04) >> 2):
    print "# IS_FPD3_PAR_ERR DETECTED "
if ((PORT_ISR_LO & 0x02) >> 1):
    print "# IS_PORT_PASS DETECTED "
if ((PORT_ISR_LO & 0x01) ):
    print "# IS_LOCK_STS DETECTED "

#####

PORT_ISR_HI = ReadI2C(0xDA) # readout; cleared by RX_PORT_STS2

if ((PORT_ISR_HI & 0x04) >> 2):
    print "# IS_FPD3_ENC_ERR DETECTED "
if ((PORT_ISR_HI & 0x02) >> 1):
    print "# IS_BCC_SEQ_ERR DETECTED "
if ((PORT_ISR_HI & 0x01) ):
    print "# IS_BCC_CRC_ERR DETECTED "

#####

RX_PORT_STS1 = ReadI2C(0x4D) # R/COR

if ( (RX_PORT_STS1 & 0xc0) >> 6) == 3:
    print "# RX_PORT_NUM = RX3"
elif ((RX_PORT_STS1 & 0xc0) >> 6) == 2:
    print "# RX_PORT_NUM = RX2"
elif ((RX_PORT_STS1 & 0xc0) >> 6) == 1:
    print "# RX_PORT_NUM = RX1"
elif ((RX_PORT_STS1 & 0xc0) >> 6) == 0:
    print "# RX_PORT_NUM = RX0"

if ((RX_PORT_STS1 & 0x20) >> 5):
    print "# BCC_CRC_ERR DETECTED "
if ((RX_PORT_STS1 & 0x10) >> 4):
    print "# LOCK_STS_CHG DETECTED "

```

```

if ((RX_PORT_STS1 & 0x08) >> 3):
    print "# BCC_SEQ_ERROR DETECTED "
if ((RX_PORT_STS1 & 0x04) >> 2):
    print "# PARITY_ERROR DETECTED "
if ((RX_PORT_STS1 & 0x02) >> 1):
    print "# PORT_PASS=1 "
if ((RX_PORT_STS1 & 0x01) ):
    print "# LOCK_STS=1 "

#####

RX_PORT_STS2 = ReadI2C(0x4E)

if ((RX_PORT_STS2 & 0x80) >> 7):
    print "# LINE_LEN_UNSTABLE DETECTED "
if ((RX_PORT_STS2 & 0x40) >> 6):
    print "# LINE_LEN_CHG "
if ((RX_PORT_STS2 & 0x20) >> 5):
    print "# FPD3_ENCODE_ERROR DETECTED "
if ((RX_PORT_STS2 & 0x10) >> 4):
    print "# BUFFER_ERROR DETECTED "
if ((RX_PORT_STS2 & 0x08) >> 3):
    print "# CSI_ERR DETECTED "
if ((RX_PORT_STS2 & 0x04) >> 2):
    print "# FREQ_STABLE DETECTED "
if ((RX_PORT_STS2 & 0x02) >> 1):
    print "# NO_FPD3_CLK DETECTED "
if ((RX_PORT_STS2 & 0x01) ):
    print "# LINE_CNT_CHG DETECTED "

#####

# "#####"
# "RX2 status"
# "#####"

WriteReg(0x4C,0x24) # RX2
PORT_ISR_LO = ReadI2C(0xDB) # readout; cleared by RX_PORT_STS2

if ((PORT_ISR_LO & 0x40) >> 6):
    print "# IS_LINE_LEN_CHG INTERRUPT DETECTED "
if ((PORT_ISR_LO & 0x20) >> 5):
    print "# IS_LINE_CNT_CHG DETECTED "
if ((PORT_ISR_LO & 0x10) >> 4):
    print "# IS_BUFFER_ERR DETECTED "
if ((PORT_ISR_LO & 0x08) >> 3):
    print "# IS_CSI_RX_ERR DETECTED "
if ((PORT_ISR_LO & 0x04) >> 2):
    print "# IS_FPD3_PAR_ERR DETECTED "
if ((PORT_ISR_LO & 0x02) >> 1):
    print "# IS_PORT_PASS DETECTED "
if ((PORT_ISR_LO & 0x01) ):
    print "# IS_LOCK_STS DETECTED "

#####

PORT_ISR_HI = ReadI2C(0xDA) # readout; cleared by RX_PORT_STS2

if ((PORT_ISR_HI & 0x04) >> 2):
    print "# IS_FPD3_ENC_ERR DETECTED "
if ((PORT_ISR_HI & 0x02) >> 1):
    print "# IS_BCC_SEQ_ERR DETECTED "
if ((PORT_ISR_HI & 0x01) ):
    print "# IS_BCC_CRC_ERR DETECTED "

#####

RX_PORT_STS1 = ReadI2C(0x4D) # R/COR

if ( (RX_PORT_STS1 & 0xc0) >> 6) == 3:
    print "# RX_PORT_NUM = RX3"
elif ((RX_PORT_STS1 & 0xc0) >> 6) == 2:
    print "# RX_PORT_NUM = RX2"
    
```

```

elif ((RX_PORT_STS1 & 0xc0) >> 6) == 1:
    print "# RX_PORT_NUM = RX1"
elif ((RX_PORT_STS1 & 0xc0) >> 6) == 0:
    print "# RX_PORT_NUM = RX0"

if ((RX_PORT_STS1 & 0x20) >> 5):
    print "# BCC_CRC_ERR DETECTED "
if ((RX_PORT_STS1 & 0x10) >> 4):
    print "# LOCK_STS_CHG DETECTED "
if ((RX_PORT_STS1 & 0x08) >> 3):
    print "# BCC_SEQ_ERROR DETECTED "
if ((RX_PORT_STS1 & 0x04) >> 2):
    print "# PARITY_ERROR DETECTED "
if ((RX_PORT_STS1 & 0x02) >> 1):
    print "# PORT_PASS=1 "
if ((RX_PORT_STS1 & 0x01) ):
    print "# LOCK_STS=1 "

#####

RX_PORT_STS2 = ReadI2C(0x4E)

if ((RX_PORT_STS2 & 0x80) >> 7):
    print "# LINE_LEN_UNSTABLE DETECTED "
if ((RX_PORT_STS2 & 0x40) >> 6):
    print "# LINE_LEN_CHG "
if ((RX_PORT_STS2 & 0x20) >> 5):
    print "# FPD3_ENCODE_ERROR DETECTED "
if ((RX_PORT_STS2 & 0x10) >> 4):
    print "# BUFFER_ERROR DETECTED "
if ((RX_PORT_STS2 & 0x08) >> 3):
    print "# CSI_ERR DETECTED "
if ((RX_PORT_STS2 & 0x04) >> 2):
    print "# FREQ_STABLE DETECTED "
if ((RX_PORT_STS2 & 0x02) >> 1):
    print "# NO_FPD3_CLK DETECTED "
if ((RX_PORT_STS2 & 0x01) ):
    print "# LINE_CNT_CHG DETECTED "

#####

# "#####"
# "RX3 status"
# "#####"

WriteReg(0x4C,0x38) # RX3
PORT_ISR_LO = ReadI2C(0xDB) # readout; cleared by RX_PORT_STS2

if ((PORT_ISR_LO & 0x40) >> 6):
    print "# IS_LINE_LEN_CHG INTERRUPT DETECTED "
if ((PORT_ISR_LO & 0x20) >> 5):
    print "# IS_LINE_CNT_CHG DETECTED "
if ((PORT_ISR_LO & 0x10) >> 4):
    print "# IS_BUFFER_ERR DETECTED "
if ((PORT_ISR_LO & 0x08) >> 3):
    print "# IS_CSI_RX_ERR DETECTED "
if ((PORT_ISR_LO & 0x04) >> 2):
    print "# IS_FPD3_PAR_ERR DETECTED "
if ((PORT_ISR_LO & 0x02) >> 1):
    print "# IS_PORT_PASS DETECTED "
if ((PORT_ISR_LO & 0x01) ):
    print "# IS_LOCK_STS DETECTED "

#####

PORT_ISR_HI = ReadI2C(0xDA) # readout; cleared by RX_PORT_STS2

if ((PORT_ISR_HI & 0x04) >> 2):
    print "# IS_FPD3_ENC_ERR DETECTED "
if ((PORT_ISR_HI & 0x02) >> 1):
    print "# IS_BCC_SEQ_ERR DETECTED "
if ((PORT_ISR_HI & 0x01) ):

```

```

    print "# IS_BCC_CRC_ERR DETECTED "

#####

RX_PORT_STS1 = ReadI2C(0x4D) # R/COR

if ( (RX_PORT_STS1 & 0xc0) >> 6) == 3:
    print "# RX_PORT_NUM = RX3"
elif ((RX_PORT_STS1 & 0xc0) >> 6) == 2:
    print "# RX_PORT_NUM = RX2"
elif ((RX_PORT_STS1 & 0xc0) >> 6) == 1:
    print "# RX_PORT_NUM = RX1"
elif ((RX_PORT_STS1 & 0xc0) >> 6) == 0:
    print "# RX_PORT_NUM = RX0"

if ((RX_PORT_STS1 & 0x20) >> 5):
    print "# BCC_CRC_ERR DETECTED "
if ((RX_PORT_STS1 & 0x10) >> 4):
    print "# LOCK_STS_CHG DETECTED "
if ((RX_PORT_STS1 & 0x08) >> 3):
    print "# BCC_SEQ_ERROR DETECTED "
if ((RX_PORT_STS1 & 0x04) >> 2):
    print "# PARITY_ERROR DETECTED "
if ((RX_PORT_STS1 & 0x02) >> 1):
    print "# PORT_PASS=1 "
if ((RX_PORT_STS1 & 0x01) ):
    print "# LOCK_STS=1 "

#####

RX_PORT_STS2 = ReadI2C(0x4E)

if ((RX_PORT_STS2 & 0x80) >> 7):
    print "# LINE_LEN_UNSTABLE DETECTED "
if ((RX_PORT_STS2 & 0x40) >> 6):
    print "# LINE_LEN_CHG "
if ((RX_PORT_STS2 & 0x20) >> 5):
    print "# FPD3_ENCODE_ERROR DETECTED "
if ((RX_PORT_STS2 & 0x10) >> 4):
    print "# BUFFER_ERROR DETECTED "
if ((RX_PORT_STS2 & 0x08) >> 3):
    print "# CSI_ERR DETECTED "
if ((RX_PORT_STS2 & 0x04) >> 2):
    print "# FREQ_STABLE DETECTED "
if ((RX_PORT_STS2 & 0x02) >> 1):
    print "# NO_FPD3_CLK DETECTED "
if ((RX_PORT_STS2 & 0x01) ):
    print "# LINE_CNT_CHG DETECTED "

#####
    
```

7.5.9.6 CSI-2 Transmit Port Interrupts

The following interrupts are available for each CSI-2 Transmit Port:

- Pass indication
- Synchronized status
- Deassertion of Pass indication for an input port assigned to the CSI-2 TX Port
- Loss of Synchronization between input video streams
- RX Port Interrupt – interrupts from RX Ports mapped to this CSI-2 Transmit port

See the CSI_TX_ICR address 0x36 ([Table 75](#)) and CSI_TX_ISR address 0x37 ([Table 76](#)) registers for details.

The setting of the individual interrupt status bits is not dependent on the related interrupt enable controls. The interrupt enable controls whether an interrupt is generated based on the condition, but does not prevent the interrupt status assertion.

7.5.10 Error Handling

In the DS90UB960-Q1 the FPD-Link III receiver transfers incoming video frames to internal video buffers for forwarding to the CSI-2 Transmit ports. When the DS90UB960-Q1 detects an error condition the standard operation would be to flag this error condition and truncate sending the CSI-2 frame to avoid sending corrupted data downstream. When the DS90UB960-Q1 recovers from an error condition, it will provide Start of Frame and resume sending valid data. Consequently, when the downstream CSI-2 input receives a repeated Start of Frame condition, this will indicate that the data received in between the prior start of frame is suspect and the signal processor can then discard the suspected data. The settings in registers PORT_CONFIG2 (Table 141) and PORT_PASS_CTL (Table 142) can be used to change how the DS90UB960-Q1 handles errors when passing video frames. The receive ports may be configured to qualify the incoming video, providing a status indication and preventing forwarding of video frames until certain error free conditions are met. The Pass indication may be used to prevent forwarding packets to the internal video buffers by setting the PASS_DISCARD_EN bit in the PORT_PASS_CTL register. When this bit is set, video input will be discarded until the Pass signal indicates valid receive data. The Receive port will indicate Pass status once specific conditions are met including a number of valid frames received. Valid frames may include requiring no FPD-Link III Parity errors and consistent frame size including video line length and/or number of video lines.

In addition, the Receive port may be programmed to truncate video frames containing errors and/or prevent forwarding of video until the Pass conditions are met. Register settings in PORT_CONFIG2 register (Table 141) can be used to truncate frames on different line/frame sizes or a CSI-2 parity error is detected. When the deserializer truncates frames in cases of different line/frame sizes different line/frame sizes, the video frame will stop immediately with no frame end packet. Often the condition will not be cleared until the next valid frame is received.

The Rx Port PASS indication may be used to prevent forwarding packets to the internal video buffers by setting the PASS_DISCARD_EN bit in the PORT_PASS_CTL register (Table 142). When this bit is set, video input will be discarded until the Pass signal indicates valid receive data. The incoming video frames may be truncated based on error conditions or change in video line size or number of lines. These functions are controlled by bits in the PORT_CONFIG2 register. When truncating video frames, the video frame may be truncated after sending any number of video lines. A truncated frame will not send a Frame End packet to the CSI-2 Transmit port.

7.5.10.1 Receive Frame Threshold

The FPD-Link III Receiver may be programmed to require a specified number of valid video frames prior to indicating a Pass condition and forwarding video frames. The number of required valid video frames is programmable through the PASS_THRESH field in the PORT_PASS_CTL register (Table 142). The threshold can be programmed from 0 to 3 video frames. If set to 0, Pass will typically be indicated as soon as the FPD-Link III Receiver reports Lock to the incoming signal. If set greater than 0, the Receiver will require that number of valid frames before indicating Pass. Determination of valid frames will be dependent on the control bits in the PORT_PASS_CTL register. In the case of a Parity Error, when PASS_PARITY_ERR is set to 1 forwarding will be enabled one frame early. To ensure at least one good frame occurs following a parity error the counter should be set to 2 or higher when PASS_PARITY_ERR = 1.

7.5.10.2 Port PASS Control

When the PASS_LINE_SIZE control is set in the PORT_PASS_CTL register, the Receiver will qualify received frames based on having a consistent video line size. For PASS_LINE_SIZE to be clear, the deserializer checks that the received line length remains consistent during the frame and between frames. For each video line, the length (in bytes) will be determined. If it varies then we will flag this condition. Each video line in the packet must be the same size, and the line size must be consistent across video frames. A change in video line size will restart the valid frame counter.

When the PASS_LINE_CNT control is set in the PORT_PASS_CTL register, the Receiver will qualify received frames based on having a consistent frame size in number of lines. A change in number of video lines will restart the valid frame counter.

When the PASS_PARITY_ERR control is set in the PORT_PASS_CTL register, the Receiver will clear the Pass indication on receipt of a parity error on the FPD-Link III interface. The valid frame counter will also be cleared on the parity error event. When PASS_PARITY_ERR is set to 1, it is also recommended setting PASS_THRESHOLD to 2 or higher to ensure at least one good frame occurs following a parity error.

7.5.11 Timestamp – Video Skew Detection

The DS90UB960-Q1 implements logic to detect skew between video signaling from attached sensors. For each input port, the DS90UB960-Q1 provides the ability to capture a time-stamp for both a start-of-frame and start-of-line event. Comparison of timestamps can provide information on the relative skew between the ports. Start-of-frame timestamps are generated at the active edge of the Vertical Sync signal in Raw mode. Start-of-line timestamps are generated at the start of reception of the Nth line of video data after the start-of-frame for either mode of operation. The function does not use the Line Start (LS) packet or Horizontal Sync controls to determine the start of lines.

The skew detection can run in either a FrameSync mode or free-run mode.

Skew detection can be individually enabled for each RX port.

For start-of-line timestamps, a line number must be programmed. The same line number is used for all 4 channels. Prior to reading timestamps, the TS_FREEZE bit for each port that will be read should be set. This will prevent overwrite of the timestamps by the detection circuit until all timestamps have been read. The freeze condition will be released automatically once all frozen timestamps have been read. The freeze bits can also be cleared if it does not read all the timestamp values.

The TS_STATUS register includes the following:

- Flags to indicate multiple start-of-frame per FrameSync period
- Flag to indicate Timestamps Ready
- Flags to indicate Timestamps valid (per port) – if ports are not synchronized, all ports may not indicate valid timestamps

The Timestamp Ready flag will be cleared when the TS_FREEZE bit is cleared.

7.5.12 Pattern Generation

The DS90UB960-Q1 supports an internal pattern generation feature to provide a simple way to generate video test patterns for the CSI-2 transmitter outputs. Two types of patterns are supported: Reference Color Bar pattern and Fixed Color patterns and accessed by the Pattern Generator page 0 in the indirect register set.

Prior to enabling the Packet Generator, the following should be done:

1. Disable video forwarding by setting bits [5:4] of the FWD_CTL1 register (i.e. set register 0x20 to 0x30).
2. Configure CSI-2 Transmitter operating speed using the CSI_PLL_CTL register.
3. Enable the CSI-2 Transmitter for port 0 using the CSI_CTL register

7.5.12.1 Reference Color Bar Pattern

The Reference Color Bar Patterns are based on the pattern defined in Appendix D of the mipi_CTS_for_D-PHY_v1-1_r03 specification. The pattern is an eight color bar pattern designed to provide high, low, and medium frequency outputs on the CSI-2 transmit data lanes.

The CSI-2 Reference pattern provides eight color bars by default with the following byte data for the color bars: X bytes of 0xAA (high-frequency pattern, inverted) X bytes of 0x33 (mid-frequency pattern) X bytes of 0xF0 (low-frequency pattern, inverted) X bytes of 0x7F (lone 0 pattern) X bytes of 0x55 (high-frequency pattern) X bytes of 0xCC (mid-frequency pattern, inverted) X bytes of 0x0F (low-frequency pattern) Y bytes of 0x80 (lone 1 pattern) In most cases, Y will be the same as X. For certain data types, the last color bar may need to be larger than the others to properly fill the video line dimensions.

The Pattern Generator is programmable with the following options:

- Number of color bars (1, 2, 4, or 8)
- Number of bytes per line
- Number of bytes per color bar
- CSI-2 DataType field and VC-ID
- Number of active video lines per frame
- Number of total lines per frame (active plus blanking)
- Line period (possibly program in units of 10 ns)
- Vertical front porch – number of blank lines prior to FrameEnd packet

- Vertical back porch – number of blank lines following FrameStart packet

The pattern generator relies on proper programming by software to ensure the color bar widths are set to multiples of the block (or word) size required for the specified DataType. For example, for RGB888, the block size is 3 bytes which also matches the pixel size. In this case, the number of bytes per color bar must be a multiple of 3. The Pattern Generator is implemented in the CSI-2 Transmit clock domain, providing the pattern directly to the CSI-2 Transmitter. The circuit generates the CSI-2 formatted data.

7.5.12.2 Fixed Color Patterns

When programmed for Fixed Color Pattern mode, Pattern Generator can generate a video image with a programmable fixed data pattern. The basic programming fields for image dimensions are the same as used with the Color Bar Patterns. When sending Fixed Color Patterns, the color bar controls allow alternating between the fixed pattern data and the bit-wise inverse of the fixed pattern data.

The Fixed Color patterns assume a fixed block size for the byte pattern to be sent. The block size is programmable through the register and is designed to support most 8-bit, 10-bit, and 12-bit pixel formats. The block size should be set based on the pixel size converted to blocks that are an integer multiple of bytes. For example, an RGB888 pattern would consist of 3-byte pixels and therefore require a 3-byte block size. A 2x12-bit pixel image would also require 3-byte block size, while a 3x12-bit pixel image would require nine bytes (two pixels) to send an integer number of bytes. Sending a RAW10 pattern typically requires a 5-byte block size for four pixels, so 1x10-bit and 2x10-bit could both be sent with a 5-byte block size. For 3x10-bit, a 15-byte block size would be required.

The Fixed Color patterns support block sizes up to 16 bytes in length, allowing additional options for patterns in some conditions. For example, an RGB888 image could alternate between four different pixels by using a twelve-byte block size. An alternating black and white RGB888 image could be sent with a block size of 6-bytes and setting first three bytes to 0xFF and next three bytes to 0x00.

To support up to 16-byte block sizes, a set of sixteen registers are implemented to allow programming the value for each data byte. The line period is calculated in units of 10 ns, unless the CSI-2 mode is set to 400-Mb operation in which case the unit time dependency is 20 ns.

7.5.12.3 Packet Generator Programming

The information in this section provides details on how to program the Pattern Generator to provide a specific color bar pattern, based on datatype, frame size, and line size.

Most basic configuration information is determined directly from the expected video frame parameters. The requirements should include the datatype, frame rate (frames per second), number of active lines per frame, number of total lines per frame (active plus blanking), and number of pixels per line.

- PGEN_ACT_LPF – Number of active lines per frame
- PGEN_TOT_LPF – Number of total lines per frame
- PGEN_LSIZE – Video line length size in bytes. Compute based on pixels per line multiplied by pixel size in bytes
- CSI-2 DataType field and VC-ID
- Optional: PGEN_VBP – Vertical back porch. This is the number of lines of vertical blanking following Frame Valid
- Optional: PGEN_VFP – Vertical front porch. This is the number of lines of vertical blanking preceding Frame Valid
- PGEN_LINE_PD – Line period in 10ns units. Compute based on Frame Rate and total lines per frame
- PGEN_BAR_SIZE – Color bar size in bytes. Compute based on datatype and line length in bytes (see details below)

7.5.12.3.1 Determining Color Bar Size

The color bar pattern should be programmed in units of a block or word size dependent on the datatype of the video being sent. The sizes are defined in the Mipi CSI-2 specification. For example, RGB888 requires a 3-byte block size which is the same as the pixel size. RAW10 requires a 5-byte block size which is equal to 4 pixels. RAW12 requires a 3-byte block size which is equal to 2 pixels.

When programming the Pattern Generator, software should compute the required bar size in bytes based on the line size and the number of bars. For the standard eight color bar pattern, that would require the following algorithm:

- Select the desired datatype, and a valid length for that datatype (in pixels).
- Convert pixels/line to blocks/line (by dividing by the number of pixels/block, as defined in the datatype specification).
- Divide the blocks/line result by the number of color bars (8), giving blocks/bar
- Round result down to the nearest integer
- Convert blocks/bar to bytes/bar and program that value into the PGEN_BAR_SIZE register

As an alternative, the blocks/line can be computed by converting pixels/line to bytes/line and divide by bytes/block.

7.5.12.4 Code Example for Pattern Generator

```
#Patgen Fixed Colorbar 1280x720p30

WriteI2C(0x33,0x01) # CSI0 enable

WriteI2C(0xB0,0x00) # Indirect Pattern Gen Registers
WriteI2C(0xB1,0x01) # PGEN_CTL
WriteI2C(0xB2,0x01)

WriteI2C(0xB1,0x02) # PGEN_CFG
WriteI2C(0xB2,0x33)

WriteI2C(0xB1,0x03) # PGEN_CSI_DI
WriteI2C(0xB2,0x24)

WriteI2C(0xB1,0x04) # PGEN_LINE_SIZE1
WriteI2C(0xB2,0x0F)

WriteI2C(0xB1,0x05) # PGEN_LINE_SIZE0
WriteI2C(0xB2,0x00)

WriteI2C(0xB1,0x06) # PGEN_BAR_SIZE1
WriteI2C(0xB2,0x01)

WriteI2C(0xB1,0x07) # PGEN_BAR_SIZE0
WriteI2C(0xB2,0xE0)

WriteI2C(0xB1,0x08) # PGEN_ACT_LPF1
WriteI2C(0xB2,0x02)

WriteI2C(0xB1,0x09) # PGEN_ACT_LPF0
WriteI2C(0xB2,0xD0)

WriteI2C(0xB1,0x0A) # PGEN_TOT_LPF1
WriteI2C(0xB2,0x04)

WriteI2C(0xB1,0x0B) # PGEN_TOT_LPF0
WriteI2C(0xB2,0x1A)

WriteI2C(0xB1,0x0C) # PGEN_LINE_PD1
WriteI2C(0xB2,0x0C)

WriteI2C(0xB1,0x0D) # PGEN_LINE_PD0
WriteI2C(0xB2,0x67)

WriteI2C(0xB1,0x0E) # PGEN_VBP
WriteI2C(0xB2,0x21)

WriteI2C(0xB1,0x0F) # PGEN_VFP
WriteI2C(0xB2,0x0A)
```

7.5.13 FPD-Link BIST Mode

An optional At-Speed Built-In Self Test (BIST) feature supports testing of the high speed serial link and the back channel without external data connections. The BIST mode is enabled by programming the BIST configuration register (Table 168). This is useful in the prototype stage, equipment production, in-system test, and system diagnostics.

When BIST is activated, the DS90UB960Q1 sends register writes to the Serializer through the Back Channel. The control channel register writes configure the Serializer for BIST mode operation. The serializer outputs a continuous stream of a pseudo-random sequence and drives the link at speed. The deserializer detects the test pattern and monitors it for errors. The serializer also tracks errors indicated by the CRC fields in each back channel frame.

The CMLOUT output function is also available during BIST mode. While the lock indications are required to identify the beginning of proper data reception, for any link failures or data corruption, the best indication is the contents of the error counter in the BIST_ERR_COUNT register 0x57 (Table 104) for each RX port. The test may select whether the Serializer uses an external or internal clock as reference for the BIST pattern frequency.

7.5.13.1 BIST Operation

The FPD-Link III BIST is configured and enabled by programming the BIST Control register (Table 168). Set 0xB3 = 0x01 to enable BIST and set 0xB3 = 00 to disable BIST. BIST pass or fail status may be brought to GPIO pins by selecting the Pass indication for each receive port using the GPIOx_PIN_CTL registers. The Pass/Fail status will be de-asserted low for each data error detected on the selected port input data. In addition, it is advisable to bring the Receiver Lock status for selected ports to the GPIO pins as well. After completion of BIST, the BIST Error Counter may be read to determine if errors occurred during the test. If the DS90UB960-Q1 failed to lock to the input signal or lost lock to the input signal, the BIST Error Counter will indicate 0xFF. The maximum normal count value will be 0xFE. The SER_BIST_ACT register bit 0xD0[5] can be monitored during testing to ensure BIST is activated in the serializer.

During BIST, DS90UB960-Q1 output activity are gated by BIST_Control[7:6] (BIST_OUT_MODE[1:0]) as follows:

00 : Outputs disabled during BIST

10 : Outputs enabled during BIST

When enabling the outputs by setting BIST_OUT_MODE = 10, the CSI-2 will be inactive by default (LP11 state). To exercise the CSI-2 interface during BIST mode, it is possible to Enable Pattern Generator to send a video data pattern on the CSI-2 outputs.

The BIST clock frequency is controlled by the BIST_CLOCK_SOURCE field in the BIST Control register. This 2-bit value will be written to the Serializer register 0x14[2:1]. A value of 00 will select an external clock. A non-zero value will enable an internal clock of the frequency defined in the Serializer register 0x14. Note that when the DS90UB960-Q1 is paired with DS90UB933-Q1 or DS90UB913A-Q1, a setting of 11 may result in a frequency that is too slow for the DS90UB960-Q1 to recover. The BIST_CLOCK_SOURCE field is sampled at the start of BIST. Changing this value after BIST is enabled will not change operation.

7.6 Register Maps

The DS90UB960-Q1 implements the following register blocks, accessible through I2C as well as the bi-directional control channel:

- Main Registers
- FPD3 RX Port Registers (separate register block for each of the four RX ports)
- CSI-2 Port Registers (separate register block for each of the CSI-2 ports)

Table 20. Main Register Map Descriptions

| ADDRESS RANGE | DESCRIPTION | ADDRESS MAP | | | |
|---------------|--|---|---|---|---|
| 0x00-0x32 | Digital Registers | Shared | | | |
| 0x33-0x3A | Digital CSI-2 Registers (paged, broadcast write allowed) | CSI-2 TX Port 0 R: 0x32[4]=0 W: 0x32[0]=1 | CSI-2 TX Port 1 R: 0x32[4]=1 W: 0x32[1]=1 | | |
| 0x3B-0x3F | Reserved Registers | Reserved | | | |
| 0x40-0x45 | AEQ Registers | Shared | | | |
| 0x46-0x7F | Digital RX Port Registers (paged, broadcast write allowed) | FPD3 RX Port 0 R: 0x4C[5:4]=00 W: 0x4C[0]=1 | FPD3 RX Port 1 R: 0x4C[5:4]=01 W: 0x4C[1]=1 | FPD3 RX Port 2 R: 0x4C[5:4]=10 W: 0x4C[2]=1 | FPD3 RX Port 3 R: 0x4C[5:4]=11 W: 0x4C[3]=1 |
| 0x80-0x8F | Reserved Registers | Reserved | | | |
| 0x90-0x9F | Digital CSI-2 Debug Registers | Shared | | | |
| 0xA0-0xAF | Reserved Registers | Reserved | | | |
| 0xB0-0xB2 | Indirect Access Registers | Shared | | | |
| 0xB3-0xBF | Digital Registers | Shared | | | |
| 0xC0-0xCF | Reserved Registers | Reserved | | | |
| 0xD0-0xDF | Digital RX Port Debug Registers | FPD3 RX Port 0 R: 0x4C[5:4]=00 W: 0x4C[0]=1 | FPD3 RX Port 1 R: 0x4C[5:4]=01 W: 0x4C[1]=1 | FPD3 RX Port 2 R: 0x4C[5:4]=10 W: 0x4C[2]=1 | FPD3 RX Port 3 R: 0x4C[5:4]=11 W: 0x4C[3]=1 |
| 0xE0-0xEF | Reserved Registers | Reserved | | | |
| 0xF0-0xF5 | FPD3 RX ID Registers | Shared | | | |
| 0xF6-0xF7 | Reserved Registers | Reserved | | | |
| 0xF8-0xFB | Port I2C Addressing | Shared | | | |
| 0xFC-0xFF | Reserved Registers | Reserved | | | |

7.6.1 Digital Registers (Shared)

7.6.1.1 I2C Device ID Register

The I2C Device ID Register field always indicates the current value of the I2C ID. When bit 0 of this register is 0, this field is read-only and shows the strapped ID from device initialization after power on. When bit 0 of this register is 1, this field is read/write and can be used to assign any valid I2C ID address to the deserializer.

Table 21. I2C_DEVICE_ID Register (Address 0x00)

| BIT | FIELD | TYPE | DEFAULT | DESCRIPTION |
|-----|-----------|-------|---------|--|
| 7:1 | DEVICE_ID | R/W/S | Strap | 7-bit I2C ID of Deserializer. This field always indicates the current value of the I2C ID. When bit 0 of this register is 0, this field is read-only and show the strapped ID. When bit 0 of this register is 1, this field is read/write and can be used to assign any valid I2C ID. |
| 0 | DES_ID | R/W | 0 | 0: Device ID is from strap 1: Register I2C Device ID overrides strapped value |

7.6.1.2 Reset Control Register

The Reset Control register allows for soft digital reset of the DS90UB960-Q1 device internal circuitry without using PDB hardware analog reset. Digital Reset 0 is recommended if desired to reset without overwriting configuration registers to default values.

Table 22. RESET_CTL Register (Address 0x01)

| BIT | FIELD | TYPE | DEFAULT | DESCRIPTION |
|-----|------------------|--------|---------|--|
| 7:6 | RESERVED | - | 0x0 | Reserved |
| 5 | RESERVED | - | 0 | Reserved |
| 4:3 | RESERVED | - | 0x0 | Reserved |
| 2 | RESTART_AUTOLOAD | R/W/SC | 0 | Restart ROM Auto-load Setting this bit to 1 causes a re-load of the ROM. This bit is self-clearing. Software may check for Auto-load complete by checking the CFG_INIT_DONE bit in the DEVICE_STS register. |
| 1 | DIGITAL_RESET1 | R/W/SC | 0 | Digital Reset Resets the entire digital block including registers. This bit is self-clearing. 1: Reset 0: Normal operation |
| 0 | DIGITAL_RESET0 | R/W/SC | 0 | Digital Reset Resets the entire digital block except registers. This bit is self-clearing. 1: Reset 0: Normal operation |

7.6.1.3 General Configuration Register

The general configuration register enables and disables high level block functionality.

Table 23. GENERAL_CFG Register (Address 0x02)

| BIT | FIELD | TYPE | DEFAULT | DESCRIPTION |
|-----|------------------------|------|---------|--|
| 7:6 | RESERVED | - | 0x0 | Reserved |
| 5 | I2C_MASTER_EN | R/W | 0 | I2C Master Enable When this bit is 0, the local I2C master is disabled, when it is 1, the master is enabled. |
| 4 | OUTPUT_EN_MODE | R/W | 1 | Output Enable Mode If set to 0, the CSI-2 TX output port is forced to the high-impedance state if no assigned RX ports have an active Receiver lock. If set to 1, the CSI-2 TX output port will continue in normal operation if no assigned RX ports have an active Receiver lock. CSI-2 TX operation will remain under register control via the CSI_CTL register for each port. If no assigned RX ports have an active Receiver lock, this will result in the CSI-2 Transmitter entering the LP-11 state. |
| 3 | OUTPUT_ENABLE | R/W | 1 | Output Enable Control (in conjunction with Output Sleep State Select) If OUTPUT_SLEEP_STATE_SEL is set to 1 and this bit is set to 0, the CSI-2 TX outputs is forced into a high impedance state. |
| 2 | OUTPUT_SLEEP_STATE_SEL | R/W | 1 | OSS Select to control output state when LOCK is low (used in conjunction with Output Enable) When this bit is set to 0, the CSI-2 TX outputs is forced into a HS-0 state. |
| 1 | RX_PARITY_CHECKER_EN | R/W | 1 | FPD3 Receiver Parity Checker Enable When enabled, the parity check function is enabled for the FPD3 receiver. This allows detection of errors on the FPD3 receiver data bits. 0: Disable 1: Enable |
| 0 | FORCE_REFCLK_DET | R/W | 0 | Force indication of external reference clock 0: Normal operation, reference clock detect circuit indicates the presence of an external reference clock 1: Force reference clock to be indicated present |

7.6.1.4 Revision / Mask ID Register

Revision ID field for production silicon version can be read back from this register.

Table 24. REV_MASK_ID Register (Address 0x03)

| BIT | FIELD | TYPE | DEFAULT | DESCRIPTION |
|-----|-------------|------|---------|-----------------------------------|
| 7:4 | REVISION_ID | R | 0x4 | Revision ID 0100: DS90UB960-Q1 |
| 3:0 | MASK_ID | R | 0x0 | Mask ID |

7.6.1.5 Device Status Register

Device status register provides read back access to high level link diagnostics.

Table 25. DEVICE_STS Register (Address 0x04)

| BIT | FIELD | TYPE | DEFAULT | DESCRIPTION |
|-----|---------------|------|---------|--|
| 7 | CFG_CKSUM_STS | R | 1 | Config Checksum Passed This bit is set following initialization if the Configuration data in the eFuse ROM had a valid checksum |
| 6 | CFG_INIT_DONE | R | 1 | Power-up initialization complete This bit is set after Initialization is complete. Configuration from eFuse ROM has completed. |
| 5 | RESERVED | R | 0 | Reserved |
| 4 | REFCLK_VALID | R | 0 | REFCLK valid frequency This bit indicates when a valid frequency has been detected on the REFCLK pin. 0 : invalid frequency detected 1 : REFCLK frequency between 12 MHz and 64 MHz |
| 3:0 | RESERVED | - | 0x0 | Reserved |

7.6.1.6 PAR_ERR_THOLD_HI Register

For each port, if the FPD-Link III receiver detects a number of parity errors greater than or equal to total value in PAR_ERR_THOLD[15:0], the PARITY_ERROR flag is set in the RX_PORT_STS1 register. PAR_ERR_THOLD_HI contains bits [15:8] of the 16 bit parity error threshold PAR_ERR_THOLD[15:0].

Table 26. PAR_ERR_THOLD_HI Register (Address 0x05)

| BIT | FIELD | TYPE | DEFAULT | DESCRIPTION |
|-----|------------------|------|---------|--|
| 7:0 | PAR_ERR_THOLD_HI | R/W | 0x1 | FPD3 Parity Error Threshold High byte This register provides the 8 most significant bits of the Parity Error Threshold value. For each port, if the FPD-Link III receiver detects a number of parity errors greater than or equal to this value, the PARITY_ERROR flag is set in the RX_PORT_STS1 register. |

7.6.1.7 PAR_ERR_THOLD_LO Register

For each port, if the FPD-Link III receiver detects a number of parity errors greater than or equal to total value in PAR_ERR_THOLD[15:0], the PARITY_ERROR flag is set in the RX_PORT_STS1 register. PAR_ERR_THOLD_LO contains bits [7:0] of the 16 bit parity error threshold PAR_ERR_THOLD[15:0].

Table 27. PAR_ERR_THOLD_LO Register (Address 0x06)

| BIT | FIELD | TYPE | DEFAULT | DESCRIPTION |
|-----|------------------|------|---------|--|
| 7:0 | PAR_ERR_THOLD_LO | R/W | 0x0 | FPD3 Parity Error Threshold Low byte This register provides the 8 least significant bits of the Parity Error Threshold value. For each port, if the FPD-Link III receiver detects a number of parity errors greater than or equal to this value, the PARITY_ERROR flag is set in the RX_PORT_STS1 register. |

7.6.1.8 BCC_WATCHDOG_CONTROL Register

The BCC watchdog timer allows termination of a control channel transaction if it fails to complete within a programmed amount of time.

Table 28. BCC_WATCHDOG_CONTROL Register (Address 0x07)

| BIT | FIELD | TYPE | DEFAULT | DESCRIPTION |
|-----|----------------------------|------|---------|---|
| 7:1 | BCC_WATCHDOG_TIMER | R/W | 0x7F | The watchdog timer allows termination of a control channel transaction if it fails to complete within a programmed amount of time. This field sets the Bi-directional Control Channel Watchdog Timeout value in units of 2 milliseconds. This field should not be set to 0. |
| 0 | BCC_WATCHDOG_TIMER_DISABLE | R/W | 0 | Disable Bi-directional Control Channel Watchdog Timer 1: Disables BCC Watchdog Timer operation 0: Enables BCC Watchdog Timer operation |

7.6.1.9 I2C_CONTROL_1 Register

Table 29. I2C_CONTROL_1 Register (Address 0x08)

| BIT | FIELD | TYPE | DEFAULT | DESCRIPTION |
|-----|---------------------|------|---------|---|
| 7 | LOCAL_WRITE_DISABLE | R/W | 0 | Disable Remote Writes to Local Registers Setting this bit to a 1 will prevent remote writes to local device registers from across the control channel. This prevents writes to the Deserializer registers from an I2C master attached to the Serializer. Setting this bit does not affect remote access to I2C slaves at the Deserializer. |
| 6:4 | I2C_SDA_HOLD | R/W | 0x1 | Internal SDA Hold Time This field configures the amount of internal hold time provided for the SDA input relative to the SCL input. Units are 50 nanoseconds. |
| 3:0 | I2C_FILTER_DEPTH | R/W | 0xC | I2C Glitch Filter Depth This field configures the maximum width of glitch pulses on the SCL and SDA inputs that is rejected. Units are 5 nanoseconds. |

7.6.1.10 I2C_CONTROL_2 Register

Table 30. I2C_CONTROL_2 Register (Address 0x09)

| BIT | FIELD | TYPE | DEFAULT | DESCRIPTION |
|-----|-----------------------|------|---------|--|
| 7:4 | SDA_OUTPUT_SETUP | R/W | 0x1 | Remote Ack SDA Output Setup When a Control Channel (remote) access is active, this field configures setup time from the SDA output relative to the rising edge of SCL during ACK cycles. Setting this value will increase setup time in units of 640ns. The nominal output setup time value for SDA to SCL when this field is 0 is 80ns. |
| 3:2 | SDA_OUTPUT_DELAY | R/W | 0x0 | SDA Output Delay This field configures additional delay on the SDA output relative to the falling edge of SCL. Setting this value will increase output delay in units of 40ns. Nominal output delay values for SCL to SDA are: 00: 240ns 01: 280ns 10: 320ns 11: 360ns |
| 1 | I2C_BUS_TIMER_SPEEDUP | R/W | 0 | Speed up I2C Bus Watchdog Timer 1: Watchdog Timer expires after approximately 50 microseconds 0: Watchdog Timer expires after approximately 1 second. |
| 0 | I2C_BUS_TIMER_DISABLE | R/W | 0 | Disable I2C Bus Watchdog Timer When the I2C Watchdog Timer may be used to detect when the I2C bus is free or hung up following an invalid termination of a transaction. If SDA is high and no signalling occurs for approximately 1 second, the I2C bus will assumed to be free. If SDA is low and no signaling occurs, the device will attempt to clear the bus by driving 9 clocks on SCL |

7.6.1.11 SCL High Time Register

The SCL High Time register field configures the high pulse width of the I2C SCL output when the Serializer is the Master on the local I2C bus. Units are 40 ns for the nominal oscillator clock frequency. The default value is set to approximately 100 kHz with the internal oscillator clock running at nominal 25 MHz. Delay includes 4 additional oscillator clock periods. The internal oscillator has $\pm 10\%$ variation when REFCLK is not applied, which must be taken into account when setting the SCL High and Low Time registers.

Table 31. SCL High Time Register (Address 0x0A)

| BIT | FIELD | TYPE | DEFAULT | DESCRIPTION |
|-----|---------------|------|---------|---|
| 7:0 | SCL_HIGH_TIME | R/W | 0x7A | I2C Master SCL High Time This field configures the high pulse width of the SCL output when the Serializer is the Master on the local I2C bus. Units are 40 ns for the nominal oscillator clock frequency. The default value is set to provide a minimum 5us SCL high time with the reference clock at 25 MHz + 100ppm. The delay includes 5 additional oscillator clock periods. Min_delay = 39.996ns * (SCL_HIGH_TIME + 5) |

7.6.1.12 SCL Low Time Register

The SCL Low Time register field configures the low pulse width of the SCL output when the serializer is the master on the local I2C bus. This value is also used as the SDA setup time by the I2C Slave for providing data prior to releasing SCL during accesses over the Bidirectional control channel. Units are 40 ns for the nominal oscillator clock frequency. The default value is set to approximately 100 kHz with the internal oscillator clock running at nominal 25 MHz. Delay includes 4 additional oscillator clock periods. The internal oscillator has $\pm 10\%$ variation when REFCLK is not applied, which must be taken into account when setting the SCL High and Low Time registers.

Table 32. SCL Low Time Register (Address 0x0B)

| BIT | FIELD | TYPE | DEFAULT | DESCRIPTION |
|-----|--------------|------|---------|--|
| 7:0 | SCL_LOW_TIME | R/W | 0x7A | I2C SCL Low Time This field configures the low pulse width of the SCL output when the Serializer is the Master on the local I2C bus. This value is also used as the SDA setup time by the I2C Slave for providing data prior to releasing SCL during accesses over the Bi-directional Control Channel. Units are 40 ns for the nominal oscillator clock frequency. The default value is set to provide a minimum 5us SCL low time with the reference clock at 25 MHz + 100ppm. The delay includes 5 additional clock periods. Min_delay = 39.996ns * (SCL_LOW_TIME+ 5) |

7.6.1.13 RX_PORT_CTL Register

Receiver port control register assigns rules for lock and pass in the general status register and allows for enabling and disabling each Rx port.

Table 33. RX_PORT_CTL Register (Address 0x0C)

| BIT | FIELD | TYPE | DEFAULT | DESCRIPTION |
|-----|----------|------|---------|---|
| 7 | BCC3_MAP | R/W | 0 | Map Control Channel 3 to I2C Slave Port 0: I2C Slave Port 0 1: I2C Slave Port 1 |
| 6 | BCC2_MAP | R/W | 0 | Map Control Channel 2 to I2C Slave Port 0: I2C Slave Port 0 1: I2C Slave Port 1 |
| 5 | BCC1_MAP | R/W | 0 | Map Control Channel 1 to I2C Slave Port 0: I2C Slave Port 0 1: I2C Slave Port 1 |
| 4 | BCC0_MAP | R/W | 0 | Map Control Channel 0 to I2C Slave Port 0: I2C Slave Port 0 1: I2C Slave Port 1 |

Table 33. RX_PORT_CTL Register (Address 0x0C) (continued)

| BIT | FIELD | TYPE | DEFAULT | DESCRIPTION |
|-----|----------|------|---------|---|
| 3 | PORT3_EN | R/W | 1 | Port 3 Receiver Enable 0: Disable Port 3 Receiver 1: Enable Port 3 Receiver |
| 2 | PORT2_EN | R/W | 1 | Port 2 Receiver Enable 0: Disable Port 2 Receiver 1: Enable Port 2 Receiver |
| 1 | PORT1_EN | R/W | 1 | Port 1 Receiver Enable 0: Disable Port 1 Receiver 1: Enable Port 1 Receiver |
| 0 | PORT0_EN | R/W | 1 | Port 0 Receiver Enable 0: Disable Port 0 Receiver 1: Enable Port 0 Receiver |

7.6.1.14 IO_CTL Register

Table 34. IO_CTL Register (Address 0x0D)

| BIT | FIELD | TYPE | DEFAULT | DESCRIPTION |
|-----|-------------------|------|---------|--|
| 7 | SEL3P3V | R/W | 0 | 3.3V I/O Select on pins INTB, I2C, GPIO 0: 1.8V I/O Supply 1: 3.3V I/O Supply If IO_SUPPLY_MODE_OV is 0, a read of this register will return the detected I/O voltage level. |
| 6 | IO_SUPPLY_MODE_OV | R/W | 0 | Override I/O Supply Mode bit If set to 0, the detected voltage level is used for both SEL3P3V and IO_SUPPLY_MODE controls. If set to 1, the values written to the SEL3P3V and IO_SUPPLY_MODE fields is used. |
| 5:4 | IO_SUPPLY_MODE | R/W | 0x0 | I/O Supply Mode 00: 1.8V 11: 3.3V If IO_SUPPLY_MODE_OV is 0, a read of this register will return the detected I/O voltage level. |
| 3:0 | RESERVED | - | 0x9 | Reserved |

7.6.1.15 GPIO_PIN_STS Register

This register reads the current values on each of the 8 GPIO pins.

Table 35. GPIO_PIN_STS Register (Address 0x0E)

| BIT | FIELD | TYPE | DEFAULT | DESCRIPTION |
|-----|----------|------|---------|--|
| 7:0 | GPIO_STS | R | 0x0 | GPIO Pin Status This register reads the current values on each of the 8 GPIO pins. Bit 7 reads GPIO7 and bit 0 reads GPIO0. |

7.6.1.16 GPIO_INPUT_CTL Register

Table 36. GPIO_INPUT_CTL Register (Address 0x0F)

| BIT | FIELD | TYPE | DEFAULT | DESCRIPTION |
|-----|----------------|------|---------|---|
| 7 | GPIO7_INPUT_EN | R/W | 1 | GPIO7 Input Enable 0: Disabled 1: Enabled |
| 6 | GPIO6_INPUT_EN | R/W | 1 | GPIO6 Input Enable 0: Disabled 1: Enabled |
| 5 | GPIO5_INPUT_EN | R/W | 1 | GPIO5 Input Enable 0: Disabled 1: Enabled |

Table 36. GPIO_INPUT_CTL Register (Address 0x0F) (continued)

| BIT | FIELD | TYPE | DEFAULT | DESCRIPTION |
|-----|----------------|------|---------|---|
| 4 | GPIO4_INPUT_EN | R/W | 1 | GPIO4 Input Enable 0: Disabled 1: Enabled |
| 3 | GPIO3_INPUT_EN | R/W | 1 | GPIO3 Input Enable 0: Disabled 1: Enabled |
| 2 | GPIO2_INPUT_EN | R/W | 1 | GPIO2 Input Enable 0: Disabled 1: Enabled |
| 1 | GPIO1_INPUT_EN | R/W | 1 | GPIO1 Input Enable 0: Disabled 1: Enabled |
| 0 | GPIO0_INPUT_EN | R/W | 1 | GPIO0 Input Enable 0: Disabled 1: Enabled |

7.6.1.17 GPIO0_PIN_CTL Register
Table 37. GPIO0_PIN_CTL Register (Address 0x10)

| BIT | FIELD | TYPE | DEFAULT | DESCRIPTION |
|-----|---------------|------|---------|--|
| 7:5 | GPIO0_OUT_SEL | R/W | 0x0 | <p>GPIO0 Output Select Determines the output data for the selected source.</p> <p>If GPIO0_OUT_SRC is set to 0xx (one of the RX Ports), the following selections apply: 000 : Received GPIO0 001 : Received GPIO1 010 : Received GPIO2 011 : Received GPIO3 100 : RX Port Lock indication 101 : RX Port Pass indication 110 : Frame Valid signal 111 : Line Valid signal</p> <p>If GPIO0_OUT_SRC is set to 100 (Device Status), the following selections apply: 000 : Value in GPIO0_OUT_VAL 001 : Logical OR of Lock indication from enabled RX ports 010 : Logical AND of Lock indication from enabled RX ports 011 : Logical AND of Pass indication from enabled RX ports 100 : FrameSync signal 101 - 111 : Reserved</p> <p>If GPIO0_OUT_SRC is set to 11x (one of the CSI-2 Transmit ports), the following selections apply: 000 : Pass (AND of selected RX port status) 001 : Pass (OR of selected RX port status) 010 : Frame Valid (sending video frame) 011 : Line Valid (sending video line) 100 : Synchronized - multi-port data is synchronized 101 : CSI-2 TX Port Interrupt 11 : Reserved</p> |
| 4:2 | GPIO0_OUT_SRC | R/W | 0x0 | <p>GPIO0 Output Source Select Selects output source for GPIO0 data: 000 : RX Port 0 001 : RX Port 1 010 : RX Port 2 011 : RX Port 3 100 : Device Status 101 : Reserved 110 : CSI-2 TX Port 0 111 : CSI-2 TX Port 1</p> |

Table 37. GPIO0_PIN_CTL Register (Address 0x10) (continued)

| BIT | FIELD | TYPE | DEFAULT | DESCRIPTION |
|-----|---------------|------|---------|--|
| 1 | GPIO0_OUT_VAL | R/W | 0 | GPIO0 Output Value This register provides the output data value when the GPIO pin is enabled to output the local register controlled value. |
| 0 | GPIO0_OUT_EN | R/W | 0 | GPIO0 Output Enable 0: Disabled 1: Enabled |

7.6.1.18 GPIO1_PIN_CTL Register
Table 38. GPIO1_PIN_CTL Register (Address 0x11)

| BIT | FIELD | TYPE | DEFAULT | DESCRIPTION |
|-----|---------------|------|---------|---|
| 7:5 | GPIO1_OUT_SEL | R/W | 0x0 | <p>GPIO1 Output Select Determines the output data for the selected source.</p> <p>If GPIO1_OUT_SRC is set to 0xx (one of the RX Ports), the following selections apply: 000 : Received GPIO0 001 : Received GPIO1 010 : Received GPIO2 011 : Received GPIO3 100 : RX Port Lock indication 101 : RX Port Pass indication 110 : Frame Valid signal 111 : Line Valid signal</p> <p>If GPIO1_OUT_SRC is set to 100 (Device Status), the following selections apply: 000 : Value in GPIO1_OUT_VAL 001 : Logical OR of Lock indication from enabled RX ports 010 : Logical AND of Lock indication from enabled RX ports 011 : Logical AND of Pass indication from enabled RX ports 100 : FrameSync signal 101 - 111 : Reserved</p> <p>If GPIO1_OUT_SRC is set to 11x (one of the CSI-2 Transmit ports), the following selections apply: 000 : Pass (AND of selected RX port status) 001 : Pass (OR of selected RX port status) 010 : Frame Valid (sending video frame) 011 : Line Valid (sending video line) 100 : Synchronized - multi-port data is synchronized 101 : CSI-2 TX Port Interrupt 111 : Reserved</p> |
| 4:2 | GPIO1_OUT_SRC | R/W | 0x0 | <p>GPIO1 Output Source Select Selects output source for GPIO1 data: 000 : RX Port 0 001 : RX Port 1 010 : RX Port 2 011 : RX Port 3 100 : Device Status 101 : Reserved 110 : CSI-2 TX Port 0 111 : CSI-2 TX Port 1</p> |
| 1 | GPIO1_OUT_VAL | R/W | 0 | GPIO1 Output Value This register provides the output data value when the GPIO pin is enabled to output the local register controlled value. |
| 0 | GPIO1_OUT_EN | R/W | 0 | GPIO1 Output Enable 0: Disabled 1: Enabled |

7.6.1.19 GPIO2_PIN_CTL Register
Table 39. GPIO2_PIN_CTL Register (Address 0x12)

| BIT | FIELD | TYPE | DEFAULT | DESCRIPTION |
|-----|---------------|------|---------|---|
| 7:5 | GPIO2_OUT_SEL | R/W | 0x0 | <p>GPIO2 Output Select Determines the output data for the selected source.</p> <p>If GPIO2_OUT_SRC is set to 0xx (one of the RX Ports), the following selections apply: 000 : Received GPIO0 001 : Received GPIO1 010 : Received GPIO2 011 : Received GPIO3 100 : RX Port Lock indication 101 : RX Port Pass indication 110 : Frame Valid signal 111 : Line Valid signal</p> <p>If GPIO2_OUT_SRC is set to 100 (Device Status), the following selections apply: 000 : Value in GPIO2_OUT_VAL 001 : Logical OR of Lock indication from enabled RX ports 010 : Logical AND of Lock indication from enabled RX ports 011 : Logical AND of Pass indication from enabled RX ports 100 : FrameSync signal 101 - 111 : Reserved</p> <p>If GPIO2_OUT_SRC is set to 11x (one of the CSI-2 Transmit ports), the following selections apply: 000 : Pass (AND of selected RX port status) 001 : Pass (OR of selected RX port status) 010 : Frame Valid (sending video frame) 011 : Line Valid (sending video line) 100 : Synchronized - multi-port data is synchronized 101 : CSI-2 TX Port Interrupt 111 : Reserved</p> |
| 4:2 | GPIO2_OUT_SRC | R/W | 0x0 | <p>GPIO2 Output Source Select Selects output source for GPIO2 data: 000 : RX Port 0 001 : RX Port 1 010 : RX Port 2 011 : RX Port 3 100 : Device Status 101 : Reserved 110 : CSI-2 TX Port 0 111 : CSI-2 TX Port 1</p> |
| 1 | GPIO2_OUT_VAL | R/W | 0 | <p>GPIO2 Output Value This register provides the output data value when the GPIO pin is enabled to output the local register controlled value.</p> |
| 0 | GPIO2_OUT_EN | R/W | 0 | <p>GPIO2 Output Enable 0: Disabled 1: Enabled</p> |

7.6.1.20 GPIO3_PIN_CTL Register
Table 40. GPIO3_PIN_CTL Register (Address 0x13)

| BIT | FIELD | TYPE | DEFAULT | DESCRIPTION |
|-----|---------------|------|---------|---|
| 7:5 | GPIO3_OUT_SEL | R/W | 0x0 | <p>GPIO3 Output Select Determines the output data for the selected source.</p> <p>If GPIO3_OUT_SRC is set to 0xx (one of the RX Ports), the following selections apply: 000 : Received GPIO0 001 : Received GPIO1 010 : Received GPIO2 011 : Received GPIO3 100 : RX Port Lock indication 101 : RX Port Pass indication 110 : Frame Valid signal 111 : Line Valid signal</p> <p>If GPIO3_OUT_SRC is set to 100 (Device Status), the following selections apply: 000 : Value in GPIO3_OUT_VAL 001 : Logical OR of Lock indication from enabled RX ports 010 : Logical AND of Lock indication from enabled RX ports 011 : Logical AND of Pass indication from enabled RX ports 100 : FrameSync signal 101 - 111 : Reserved</p> <p>If GPIO3_OUT_SRC is set to 11x (one of the CSI-2 Transmit ports), the following selections apply: 000 : Pass (AND of selected RX port status) 001 : Pass (OR of selected RX port status) 010 : Frame Valid (sending video frame) 011 : Line Valid (sending video line) 100 : Synchronized - multi-port data is synchronized 101 : CSI-2 TX Port Interrupt 111 : Reserved</p> |
| 4:2 | GPIO3_OUT_SRC | R/W | 0x0 | <p>GPIO3 Output Source Select Selects output source for GPIO3 data: 000 : RX Port 0 001 : RX Port 1 010 : RX Port 2 011 : RX Port 3 100 : Device Status 101 : Reserved 110 : CSI-2 TX Port 0 111 : CSI-2 TX Port 1</p> |
| 1 | GPIO3_OUT_VAL | R/W | 0 | <p>GPIO3 Output Value This register provides the output data value when the GPIO pin is enabled to output the local register controlled value.</p> |
| 0 | GPIO3_OUT_EN | R/W | 0 | <p>GPIO3 Output Enable 0: Disabled 1: Enabled</p> |

7.6.1.21 GPIO4_PIN_CTL Register
Table 41. GPIO4_PIN_CTL Register (Address 0x14)

| BIT | FIELD | TYPE | DEFAULT | DESCRIPTION |
|-----|---------------|------|---------|---|
| 7:5 | GPIO4_OUT_SEL | R/W | 0x0 | <p>GPIO4 Output Select Determines the output data for the selected source.</p> <p>If GPIO4_OUT_SRC is set to 0xx (one of the RX Ports), the following selections apply: 000 : Received GPIO0 001 : Received GPIO1 010 : Received GPIO2 011 : Received GPIO3 100 : RX Port Lock indication 101 : RX Port Pass indication 110 : Frame Valid signal 111 : Line Valid signal</p> <p>If GPIO4_OUT_SRC is set to 100 (Device Status), the following selections apply: 000 : Value in GPIO4_OUT_VAL 001 : Logical OR of Lock indication from enabled RX ports 010 : Logical AND of Lock indication from enabled RX ports 011 : Logical AND of Pass indication from enabled RX ports 100 : FrameSync signal 101 - 111 : Reserved</p> <p>If GPIO4_OUT_SRC is set to 11x (one of the CSI-2 Transmit ports), the following selections apply: 000 : Pass (AND of selected RX port status) 001 : Pass (OR of selected RX port status) 010 : Frame Valid (sending video frame) 011 : Line Valid (sending video line) 100 : Synchronized - multi-port data is synchronized 101 : CSI-2 TX Port Interrupt 111 : Reserved</p> |
| 4:2 | GPIO4_OUT_SRC | R/W | 0x0 | <p>GPIO4 Output Source Select Selects output source for GPIO4 data: 000 : RX Port 0 001 : RX Port 1 010 : RX Port 2 011 : RX Port 3 100 : Device Status 101 : Reserved 110 : CSI-2 TX Port 0 111 : CSI-2 TX Port 1</p> |
| 1 | GPIO4_OUT_VAL | R/W | 0 | <p>GPIO4 Output Value This register provides the output data value when the GPIO pin is enabled to output the local register controlled value.</p> |
| 0 | GPIO4_OUT_EN | R/W | 0 | <p>GPIO4 Output Enable 0: Disabled 1: Enabled</p> |

7.6.1.22 GPIO5_PIN_CTL Register
Table 42. GPIO5_PIN_CTL Register (Address 0x15)

| BIT | FIELD | TYPE | DEFAULT | DESCRIPTION |
|-----|---------------|------|---------|---|
| 7:5 | GPIO5_OUT_SEL | R/W | 0x0 | <p>GPIO5 Output Select Determines the output data for the selected source.</p> <p>If GPIO5_OUT_SRC is set to 0xx (one of the RX Ports), the following selections apply: 000 : Received GPIO0 001 : Received GPIO1 010 : Received GPIO2 011 : Received GPIO3 100 : RX Port Lock indication 101 : RX Port Pass indication 110 : Frame Valid signal 111 : Line Valid signal</p> <p>If GPIO5_OUT_SRC is set to 100 (Device Status), the following selections apply: 000 : Value in GPIO5_OUT_VAL 001 : Logical OR of Lock indication from enabled RX ports 010 : Logical AND of Lock indication from enabled RX ports 011 : Logical AND of Pass indication from enabled RX ports 100 : FrameSync signal 101 - 111 : Reserved</p> <p>If GPIO5_OUT_SRC is set to 11x (one of the CSI-2 Transmit ports), the following selections apply: 000 : Pass (AND of selected RX port status) 001 : Pass (OR of selected RX port status) 010 : Frame Valid (sending video frame) 011 : Line Valid (sending video line) 100 : Synchronized - multi-port data is synchronized 101 : CSI-2 TX Port Interrupt 111 : Reserved</p> |
| 4:2 | GPIO5_OUT_SRC | R/W | 0x0 | <p>GPIO5 Output Source Select Selects output source for GPIO5 data: 000 : RX Port 0 001 : RX Port 1 010 : RX Port 2 011 : RX Port 3 100 : Device Status 101 : Reserved 110 : CSI-2 TX Port 0 111 : CSI-2 TX Port 1</p> |
| 1 | GPIO5_OUT_VAL | R/W | 0 | <p>GPIO5 Output Value This register provides the output data value when the GPIO pin is enabled to output the local register controlled value.</p> |
| 0 | GPIO5_OUT_EN | R/W | 0 | <p>GPIO5 Output Enable 0: Disabled 1: Enabled</p> |

7.6.1.23 GPIO6_PIN_CTL Register
Table 43. GPIO6_PIN_CTL Register (Address 0x16)

| BIT | FIELD | TYPE | DEFAULT | DESCRIPTION |
|-----|---------------|------|---------|---|
| 7:5 | GPIO6_OUT_SEL | R/W | 0x0 | <p>GPIO6 Output Select Determines the output data for the selected source.</p> <p>If GPIO6_OUT_SRC is set to 0xx (one of the RX Ports), the following selections apply: 000 : Received GPIO0 001 : Received GPIO1 010 : Received GPIO2 011 : Received GPIO3 100 : RX Port Lock indication 101 : RX Port Pass indication 110 : Frame Valid signal 111 : Line Valid signal</p> <p>If GPIO6_OUT_SRC is set to 100 (Device Status), the following selections apply: 000 : Value in GPIO6_OUT_VAL 001 : Logical OR of Lock indication from enabled RX ports 010 : Logical AND of Lock indication from enabled RX ports 011 : Logical AND of Pass indication from enabled RX ports 100 : FrameSync signal 101 - 111 : Reserved</p> <p>If GPIO6_OUT_SRC is set to 11x (one of the CSI-2 Transmit ports), the following selections apply: 000 : Pass (AND of selected RX port status) 001 : Pass (OR of selected RX port status) 010 : Frame Valid (sending video frame) 011 : Line Valid (sending video line) 100 : Synchronized - multi-port data is synchronized 101 : CSI-2 TX Port Interrupt 111 : Reserved</p> |
| 4:2 | GPIO6_OUT_SRC | R/W | 0x0 | <p>GPIO6 Output Source Select Selects output source for GPIO6 data: 000 : RX Port 0 001 : RX Port 1 010 : RX Port 2 011 : RX Port 3 100 : Device Status 101 : Reserved 110 : CSI-2 TX Port 0 111 : CSI-2 TX Port 1</p> |
| 1 | GPIO6_OUT_VAL | R/W | 0 | <p>GPIO6 Output Value This register provides the output data value when the GPIO pin is enabled to output the local register controlled value.</p> |
| 0 | GPIO6_OUT_EN | R/W | 0 | <p>GPIO6 Output Enable 0: Disabled 1: Enabled</p> |

7.6.1.24 GPIO7_PIN_CTL Register
Table 44. GPIO7_PIN_CTL Register (Address 0x17)

| BIT | FIELD | TYPE | DEFAULT | DESCRIPTION |
|-----|---------------|------|---------|---|
| 7:5 | GPIO7_OUT_SEL | R/W | 0x0 | <p>GPIO7 Output Select Determines the output data for the selected source.</p> <p>If GPIO7_OUT_SRC is set to 0xx (one of the RX Ports), the following selections apply: 000 : Received GPIO0 001 : Received GPIO1 010 : Received GPIO2 011 : Received GPIO3 100 : RX Port Lock indication 101 : RX Port Pass indication 110 : Frame Valid signal 111 : Line Valid signal</p> <p>If GPIO7_OUT_SRC is set to 100 (Device Status), the following selections apply: 000 : Value in GPIO7_OUT_VAL 001 : Logical OR of Lock indication from enabled RX ports 010 : Logical AND of Lock indication from enabled RX ports 011 : Logical AND of Pass indication from enabled RX ports 100 : FrameSync signal 101 - 111 : Reserved</p> <p>If GPIO7_OUT_SRC is set to 11x (one of the CSI-2 Transmit ports), the following selections apply: 000 : Pass (AND of selected RX port status) 001 : Pass (OR of selected RX port status) 010 : Frame Valid (sending video frame) 011 : Line Valid (sending video line) 100 : Synchronized - multi-port data is synchronized 101 : CSI-2 TX Port Interrupt 111 : Reserved</p> |
| 4:2 | GPIO7_OUT_SRC | R/W | 0x0 | <p>GPIO7 Output Source Select Selects output source for GPIO7 data: 000 : RX Port 0 001 : RX Port 1 010 : RX Port 2 011 : RX Port 3 100 : Device Status 101 : Reserved 110 : CSI-2 TX Port 0 111 : CSI-2 TX Port 1</p> |
| 1 | GPIO7_OUT_VAL | R/W | 0 | <p>GPIO7 Output Value This register provides the output data value when the GPIO pin is enabled to output the local register controlled value.</p> |
| 0 | GPIO7_OUT_EN | R/W | 0 | <p>GPIO7 Output Enable 0: Disabled 1: Enabled</p> |

7.6.1.25 FS_CTL Register
Table 45. FS_CTL Register (Address 0x18)

| BIT | FIELD | TYPE | DEFAULT | DESCRIPTION |
|-----|---------------|--------|---------|--|
| 7:4 | FS_MODE | R/W | 0x0 | <p>FrameSync Mode</p> <p>0000: Internal Generated FrameSync, use Back-channel frame clock from port 0</p> <p>0001: Internal Generated FrameSync, use Back-channel frame clock from port 1</p> <p>0010: Internal Generated FrameSync, use Back-channel frame clock from port 2</p> <p>0011: Internal Generated FrameSync, use Back-channel frame clock from port 3</p> <p>01xx: Internal Generated FrameSync, use 25MHz clock</p> <p>1000: External FrameSync from GPIO0</p> <p>1001: External FrameSync from GPIO1</p> <p>1010: External FrameSync from GPIO2</p> <p>1011: External FrameSync from GPIO3</p> <p>1100: External FrameSync from GPIO4</p> <p>1101: External FrameSync from GPIO5</p> <p>1110: External FrameSync from GPIO6</p> <p>1111: External FrameSync from GPIO7</p> |
| 3 | FS_SINGLE | R/W/SC | 0 | <p>Generate Single FrameSync pulse</p> <p>When this bit is set, a single FrameSync pulse is generated. The system should wait for the full duration of the desired pulse before generating another pulse. When using this feature, the FS_GEN_ENABLE bit should remain set to 0. This bit is self-clearing and will always return 0.</p> |
| 2 | FS_INIT_STATE | R/W | 0 | <p>Initial State</p> <p>This register controls the initial state of the FrameSync signal.</p> <p>0: FrameSync initial state is 0</p> <p>1: FrameSync initial state is 1</p> |
| 1 | FS_GEN_MODE | R/W | 0 | <p>FrameSync Generation Mode</p> <p>This control selects between Hi/Lo and 50/50 modes. In Hi/Lo mode, the FrameSync generator will use the FS_HIGH_TIME[15:0] and FS_LOW_TIME[15:0] register values to separately control the High and Low periods for the generated FrameSync signal. In 50/50 mode, the FrameSync generator will use the values in the FS_HIGH_TIME_0, FS_LOW_TIME_1 and FS_LOW_TIME_0 registers as a 24-bit value for both the High and Low periods of the generated FrameSync signal.</p> <p>0: Hi/Lo</p> <p>1: 50/50</p> |
| 0 | FS_GEN_ENABLE | R/W | 0 | <p>FrameSync Generation Enable</p> <p>0: Disabled</p> <p>1: Enabled</p> |

7.6.1.26 FS_HIGH_TIME_1 Register
Table 46. FS_HIGH_TIME_1 Register (Address 0x19)

| BIT | FIELD | TYPE | DEFAULT | DESCRIPTION |
|-----|-----------------------|------|---------|--|
| 7:0 | FRAMESYNC_HIGH_TIME_1 | R/W | 0x0 | <p>FrameSync High Time bits 15:8</p> <p>The value programmed to the FS_HIGH_TIME register should be reduced by 1 from the desired delay. For example, a value of 0 in the FRAMESYNC_HIGH_TIME field will result in a 1 cycle high pulse on the FrameSync signal.</p> |

7.6.1.27 FS_HIGH_TIME_0 Register
Table 47. FS_HIGH_TIME_0 Register (Address 0x1A)

| BIT | FIELD | TYPE | DEFAULT | DESCRIPTION |
|-----|-----------------------|------|---------|--|
| 7:0 | FRAMESYNC_HIGH_TIME_0 | R/W | 0x0 | FrameSync High Time bits 7:0 The value programmed to the FS_HIGH_TIME register should be reduced by 1 from the desired delay. For example, a value of 0 in the FRAMESYNC_HIGH_TIME field will result in a 1 cycle high pulse on the FrameSync signal. |

7.6.1.28 FS_LOW_TIME_1 Register
Table 48. FS_LOW_TIME_1 Register (Address 0x1B)

| BIT | FIELD | TYPE | DEFAULT | DESCRIPTION |
|-----|----------------------|------|---------|--|
| 7:0 | FRAMESYNC_LOW_TIME_1 | R/W | 0x0 | FrameSync Low Time bits 15:8 The value programmed to the FS_LOW_TIME register should be reduced by 1 from the desired delay. For example, a value of 0 in the FRAMESYNC_LOW_TIME field will result in a 1 cycle high pulse on the FrameSync signal. |

7.6.1.29 FS_LOW_TIME_0 Register
Table 49. FS_LOW_TIME_0 Register (Address 0x1C)

| BIT | FIELD | TYPE | DEFAULT | DESCRIPTION |
|-----|----------------------|------|---------|---|
| 7:0 | FRAMESYNC_LOW_TIME_0 | R/W | 0x0 | FrameSync Low Time bits 7:0 The value programmed to the FS_LOW_TIME register should be reduced by 1 from the desired delay. For example, a value of 0 in the FRAMESYNC_LOW_TIME field will result in a 1 cycle high pulse on the FrameSync signal. |

7.6.1.30 MAX_FRM_HI Register
Table 50. MAX_FRM_HI Register (Address 0x1D)

| BIT | FIELD | TYPE | DEFAULT | DESCRIPTION |
|-----|--------------|------|---------|--|
| 7:0 | MAX_FRAME_HI | R/W | 0x0 | CSI-2 Maximum Frame Count bits 15:8 In RAW mode operation, the FPD3 Receiver will create CSI-2 video frames. For the Frame Start and Frame End packets of each video frame, a 16-bit frame number field is generated. If the Maximum Frame Count value is set to 0, the frame number is disabled and will always be 0. If Maximum Frame Count value is non-zero, the frame number will increment for each from 1 up to the Maximum Frame Count value before resetting to 1. |

7.6.1.31 MAX_FRM_LO Register
Table 51. MAX_FRM_LO Register (Address 0x1E)

| BIT | FIELD | TYPE | DEFAULT | DESCRIPTION |
|-----|--------------|------|---------|---|
| 7:0 | MAX_FRAME_LO | R/W | 0x04 | CSI-2 Maximum Frame Count bits 7:0 In RAW mode operation, the FPD3 Receiver will create CSI-2 video frames. For the Frame Start and Frame End packets of each video frame, a 16-bit frame number field is generated. If the Maximum Frame Count value is set to 0, the frame number is disabled and will always be 0. If Maximum Frame Count value is non-zero, the frame number will increment for each from 1 up to the Maximum Frame Count value before resetting to 1. |

7.6.1.32 CSI_PLL_CTL Register
Table 52. CSI_PLL_CTL Register (Address 0x1F)

| BIT | FIELD | TYPE | DEFAULT | DESCRIPTION |
|-----|--------------|------|---------|---|
| 7:4 | RESERVED | - | 0x0 | Reserved |
| 3 | SEL_OSC_200M | R/W | 0 | Select 200MHz Oscillator Clock The external reference clock is normally used to generate the digital and CSI-2 PLL reference clocks. This bit allows the use of the internal 200 MHz always-on oscillator clock instead. 0: Select external reference clock 1: Select internal always-on clock |
| 2 | REF_CLK_MODE | R/W | 0 | Reference Clock mode The digital logic requires a 200 MHz reference clock generated from the CSI-2 PLL. If this bit is set to 1, the reference clock will be 100 MHz. 0 : clock is 200 MHz 1 : clock is 100 MHz This bit should not be set to 1 if CSI_TX_SPEED is set for 400Mbps operation. |
| 1:0 | CSI_TX_SPEED | R/W | 10 | CSI-2 Transmitter Speed select: (See CSI-2 Transmitter Frequency) Controls the CSI-2 Transmitter frequency. 00 : 1.472 - 1.664 Gbps serial rate 01 : 1.2 Gbps serial rate 10 : 800 Mbps serial rate 11 : 400 Mbps serial rate |

7.6.1.33 FWD_CTL1 Register
Table 53. FWD_CTL1 Register (Address 0x20)

| BIT | FIELD | TYPE | DEFAULT | DESCRIPTION |
|-----|---------------|------|---------|--|
| 7 | FWD_PORT3_DIS | R/W | 1 | Disable forwarding of RX Port 3 0: Forwarding enabled 1: Forwarding disabled |
| 6 | FWD_PORT2_DIS | R/W | 1 | Disable forwarding of RX Port 2 0: Forwarding enabled 1: Forwarding disabled |
| 5 | FWD_PORT1_DIS | R/W | 1 | Disable forwarding of RX Port 1 0: Forwarding enabled 1: Forwarding disabled |
| 4 | FWD_PORT0_DIS | R/W | 1 | Disable forwarding of RX Port 0 0: Forwarding enabled 1: Forwarding disabled |
| 3 | RX3_MAP | R/W | 0 | Map RX Port 3 to CSI-2 Port 0: CSI-2 Port 0 1: CSI-2 Port 1 It is recommended to disable forwarding for a port before changing the port mapping |
| 2 | RX2_MAP | R/W | 0 | Map RX Port 2 to CSI-2 Port 0: CSI-2 Port 0 1: CSI-2 Port 1 It is recommended to disable forwarding for a port before changing the port mapping |
| 1 | RX1_MAP | R/W | 0 | Map RX Port 1 to CSI-2 Port 0: CSI-2 Port 0 1: CSI-2 Port 1 It is recommended to disable forwarding for a port before changing the port mapping |

Table 53. FWD_CTL1 Register (Address 0x20) (continued)

| BIT | FIELD | TYPE | DEFAULT | DESCRIPTION |
|-----|---------|------|---------|--|
| 0 | RX0_MAP | R/W | 0 | Map RX Port 0 to CSI-2 Port 0: CSI-2 Port 0 1: CSI-2 Port 1 It is recommended to disable forwarding for a port before changing the port mapping |

7.6.1.34 FWD_CTL2 Register
Table 54. FWD_CTL2 Register (Address 0x21)

| BIT | FIELD | TYPE | DEFAULT | DESCRIPTION |
|-----|-------------------|------|---------|--|
| 7 | CSI_REPLICATE | R/W | 0 | CSI-2 Replicate Mode When set to a 1, the CSI-2 output from port 0 will also be generated on CSI-2 port 1. The same output data is presented on both ports. |
| 6 | FWD_SYNC_AS_AVAIL | R/W | 0 | Synchronized Forwarding As Available During Synchronized Forwarding, each forwarding engine will wait for video data to be available from each enabled port, prior to sending the video line. Setting this bit to a 1 will allow sending the next video line as it becomes available. For example if RX Ports 0 and 1 are being forwarded, port 0 video line is forwarded when it becomes available, rather than waiting until both ports 0 and ports 1 have video data available. This operation may reduce the likelihood of buffer overflow errors in some conditions. This bit will have no affect in video line concatenation mode and only affects video lines (long packets) rather than synchronization packets. This bit applies to both CSI-2 output ports |
| 5:4 | CSI1_SYNC_FWD | R/W | 0x0 | Enable synchronized forwarding for CSI-2 output port 1 (see Synchronized CSI-2 Forwarding) 00: Synchronized forwarding disabled 01: Basic Synchronized forwarding enabled 10: Synchronous forwarding with line interleaving 11: Synchronous forwarding with line concatenation Only one of CSI1_RR_FWD and CSI1_SYNC_FWD must be enabled at a time. |
| 3:2 | CSI0_SYNC_FWD | R/W | 0x0 | Enable synchronized forwarding for CSI-2 output port 0 (see Synchronized CSI-2 Forwarding) 00: Synchronized forwarding disabled 01: Basic Synchronized forwarding enabled 10: Synchronous forwarding with line interleaving 11: Synchronous forwarding with line concatenation Only one of CSI0_RR_FWD and CSI0_SYNC_FWD must be enabled at a time. |
| 1 | CSI1_RR_FWD | R/W | 1 | Enable best-effort forwarding for CSI-2 output port 1. When this mode is enabled, no attempt is made to synchronize the video traffic. When multiple sources have data available to forward, the data will tend to be forwarded in a round-robin fashion. 0: Round robin forwarding disabled 1: Round robin forwarding enabled Only one of CSI1_RR_FWD and CSI1_SYNC_FWD must be enabled at a time. |
| 0 | CSI0_RR_FWD | R/W | 1 | Enable best-effort forwarding for CSI-2 output port 0. When this mode is enabled, no attempt is made to synchronize the video traffic. When multiple sources have data available to forward, the data will tend to be forwarded in a round-robin fashion. 0: Round robin forwarding disabled 1: Round robin forwarding enabled Only one of CSI0_RR_FWD and CSI0_SYNC_FWD must be enabled at a time. |

7.6.1.35 FWD_STS Register
Table 55. FWD_STS Register (Address 0x22)

| BIT | FIELD | TYPE | DEFAULT | DESCRIPTION |
|-----|----------------|------|---------|--|
| 7:4 | RESERVED | - | 0x0 | Reserved |
| 3 | FWD_SYNC_FAIL1 | R/RC | 0 | Forwarding synchronization failed for CSI-2 output port 1 During Synchronized forwarding, this flag indicates a failure of synchronized video has been detected. For this bit to be set, the forwarding process must have previously been successful at sending at least one synchronized video frame. 0: No failure 1: Synchronization failure This bit is cleared on read. |
| 2 | FWD_SYNC_FAIL0 | R/RC | 0 | Forwarding synchronization failed for CSI-2 output port 0 During Synchronized forwarding, this flag indicates a failure of synchronized video has been detected. For this bit to be set, the forwarding process must have previously been successful at sending at least one synchronized video frame. 0: No failure 1: Synchronization failure This bit is cleared on read. |
| 1 | FWD_SYNC1 | R | 0 | Forwarding synchronized for CSI-2 output port 1 During Synchronized forwarding, this bit indicates that the forwarding engine is currently able to provide synchronized video from enabled Receive ports. This bit will always be 0 if Synchronized forwarding is disabled. 0: Video is not synchronized 1: Video is synchronized |
| 0 | FWD_SYNC0 | R | 0 | Forwarding synchronized for CSI-2 output port 0 During Synchronized forwarding, this bit indicates that the forwarding engine is currently able to provide synchronized video from enabled Receive ports. This bit will always be 0 if Synchronized forwarding is disabled. 0: Video is not synchronized 1: Video is synchronized |

7.6.1.36 INTERRUPT_CTL Register
Table 56. INTERRUPT_CTL Register (Address 0x23)

| BIT | FIELD | TYPE | DEFAULT | DESCRIPTION |
|-----|------------|------|---------|--|
| 7 | INT_EN | R/W | 0 | Global Interrupt Enable: Enables interrupt on the interrupt signal to the controller. |
| 6 | RESERVED | - | 0 | Reserved |
| 5 | IE_CSI_TX1 | R/W | 0 | CSI-2 Transmit Port 1 Interrupt: Enable interrupt from CSI-2 Transmitter Port 1. |
| 4 | IE_CSI_TX0 | R/W | 0 | CSI-2 Transmit Port 0 Interrupt: Enable interrupt from CSI-2 Transmitter Port 0. |
| 3 | IE_RX3 | R/W | 0 | RX Port 3 Interrupt: Enable interrupt from Receiver Port 3. |
| 2 | IE_RX2 | R/W | 0 | RX Port 2 Interrupt: Enable interrupt from Receiver Port 2. |
| 1 | IE_RX1 | R/W | 0 | RX Port 1 Interrupt: Enable interrupt from Receiver Port 1. |
| 0 | IE_RX0 | R/W | 0 | RX Port 0 Interrupt: Enable interrupt from Receiver Port 0. |

7.6.1.37 INTERRUPT_STS Register
Table 57. INTERRUPT_STS Register (Address 0x24)

| BIT | FIELD | TYPE | DEFAULT | DESCRIPTION |
|-----|------------|------|---------|---|
| 7 | INT | R | 0 | Global Interrupt: Set if any enabled interrupt is indicated in the individual status bits in this register. The setting of this bit is not dependent on the INT_EN bit in the INTERRUPT_CTL register but does depend on the IE_XXX bits. For example, if IE_RX0 and IS_RX0 are both asserted, the INT bit is set to 1. |
| 6 | RESERVED | - | 0 | Reserved |
| 5 | IS_CSI_TX1 | R | 0 | CSI-2 Transmit Port 1 Interrupt: An interrupt has occurred for CSI-2 Transmitter Port 1. This interrupt is cleared upon reading the CSI_TX_ISR register for CSI-2 Transmit Port 1. |
| 4 | IS_CSI_TX0 | R | 0 | CSI-2 Transmit Port 0 Interrupt: An interrupt has occurred for CSI-2 Transmitter Port 0. This interrupt is cleared upon reading the CSI_TX_ISR register for CSI-2 Transmit Port 0. |
| 3 | IS_RX3 | R | 0 | RX Port 3 Interrupt: This interrupt is cleared by reading the associated status register(s) for the event(s) that caused the interrupt. The status registers are RX_PORT_STS1, RX_PORT_STS2, and CSI_RX_STS. |
| 2 | IS_RX2 | R | 0 | RX Port 2 Interrupt: An interrupt has occurred for Receive Port 2. This interrupt is cleared by reading the associated status register(s) for the event(s) that caused the interrupt. The status registers are RX_PORT_STS1, RX_PORT_STS2, and CSI_RX_STS. |
| 1 | IS_RX1 | R | 0 | RX Port 1 Interrupt: 0x An interrupt has occurred for Receive Port 1. This interrupt is cleared by reading the associated status register(s) for the event(s) that caused the interrupt. The status registers are RX_PORT_STS1, RX_PORT_STS2, and CSI_RX_STS. |
| 0 | IS_RX0 | R | 0 | RX Port 0 Interrupt: An interrupt has occurred for Receive Port 0. This interrupt is cleared by reading the associated status register(s) for the event(s) that caused the interrupt. The status registers are RX_PORT_STS1, RX_PORT_STS2, and CSI_RX_STS. |

7.6.1.38 TS_CONFIG Register
Table 58. TS_CONFIG Register (Address 0x25)

| BIT | FIELD | TYPE | DEFAULT | DESCRIPTION |
|-----|-------------|------|---------|---|
| 7 | RESERVED | - | 0 | Reserved |
| 6 | FS_POLARITY | R/W | 0 | Framesync Polarity Indicates active edge of FrameSync signal 0: Rising edge 1: Falling edge |
| 5:4 | TS_RES_CTL | R/W | 0x0 | Timestamp Resolution Control 00: 40 ns 01: 80 ns 10: 160 ns 11: 1.0 us |
| 3 | TS_AS_AVAIL | R/W | 0 | Timestamp Ready Control 0: Normal operation 1: Indicate timestamps ready as soon as all port timestamps are available |
| 2 | RESERVED | - | 0 | Reserved |
| 1 | TS_FREERUN | R/W | 0 | FreeRun Mode 0: FrameSync mode 1: FreeRun mode |

Table 58. TS_CONFIG Register (Address 0x25) (continued)

| BIT | FIELD | TYPE | DEFAULT | DESCRIPTION |
|-----|---------|------|---------|---|
| 0 | TS_MODE | R/W | 0 | Timestamp Mode 0: Line start 1: Frame start |

7.6.1.39 TS_CONTROL Register
Table 59. TS_CONTROL Register (Address 0x26)

| BIT | FIELD | TYPE | DEFAULT | DESCRIPTION |
|-----|------------|------|---------|--|
| 7:5 | RESERVED | - | 0x0 | Reserved |
| 4 | TS_FREEZE | R/W | 0 | Freeze Timestamps 0: Normal operation 1: Freeze timestamps Setting this bit will freeze timestamps and clear the TS_READY flag. The TS_FREEZE bit should be cleared after reading timestamps to resume operation. |
| 3 | TS_ENABLE3 | R/W | 0 | Timestamp Enable RX Port 3 0: Disabled 1: Enabled |
| 2 | TS_ENABLE2 | R/W | 0 | Timestamp Enable RX Port 2 0: Disabled 1: Enabled |
| 1 | TS_ENABLE1 | R/W | 0 | Timestamp Enable RX Port 1 0: Disabled 1: Enabled |
| 0 | TS_ENABLE0 | R/W | 0 | Timestamp Enable RX Port 0 0: Disabled 1: Enabled |

7.6.1.40 TS_LINE_HI Register
Table 60. TS_LINE_HI Register (Address 0x27)

| BIT | FIELD | TYPE | DEFAULT | DESCRIPTION |
|-----|------------|------|---------|---|
| 7:0 | TS_LINE_HI | R/W | 0x0 | Timestamp Line, upper 8 bits This field is the line number at which to capture the timestamp when Line Start mode is enabled. For proper operation, the line number should be set to a value greater than 1. During Frame Start mode, if TS_FREERUN is set, the TS_LINE value is used to determine when to begin checking for Frame Start |

7.6.1.41 TS_LINE_LO Register
Table 61. TS_LINE_LO Register (Address 0x28)

| BIT | FIELD | TYPE | DEFAULT | DESCRIPTION |
|-----|------------|------|---------|---|
| 7:0 | TS_LINE_LO | R/W | 0x0 | Timestamp Line, lower 8 bits This field is the line number at which to capture the timestamp when Line Start mode is enabled. For proper operation, the line number should be set to a value greater than 1. During Frame Start mode, if TS_FREERUN is set, the TS_LINE value is used to determine when to begin checking for Frame Start |

7.6.1.42 TS_STATUS Register
Table 62. TS_STATUS Register (Address 0x29)

| BIT | FIELD | TYPE | DEFAULT | DESCRIPTION |
|-----|-----------|------|---------|--|
| 7:5 | RESERVED | - | 0x0 | Reserved |
| 4 | TS_READY | R | 0 | Timestamp Ready This flag indicates when timestamps are ready to be read. This flag is cleared when the TS_FREEZE bit is set. |
| 3 | TS_VALID3 | R | 0 | Timestamp Valid, RX Port 3 |
| 2 | TS_VALID2 | R | 0 | Timestamp Valid, RX Port 2 |
| 1 | TS_VALID1 | R | 0 | Timestamp Valid, RX Port 1 |
| 0 | TS_VALID0 | R | 0 | Timestamp Valid, RX Port 0 |

7.6.1.43 TIMESTAMP_P0_HI Register
Table 63. TIMESTAMP_P0_HI Register (Address 0x2A)

| BIT | FIELD | TYPE | DEFAULT | DESCRIPTION |
|-----|-----------------|------|---------|------------------------------------|
| 7:0 | TIMESTAMP_P0_HI | R | 0x0 | Timestamp, upper 8 bits, RX Port 0 |

7.6.1.44 TIMESTAMP_P0_LO Register
Table 64. TIMESTAMP_P0_LO Register (Address 0x2B)

| BIT | FIELD | TYPE | DEFAULT | DESCRIPTION |
|-----|-----------------|------|---------|------------------------------------|
| 7:0 | TIMESTAMP_P0_LO | R | 0x0 | Timestamp, lower 8 bits, RX Port 0 |

7.6.1.45 TIMESTAMP_P1_HI Register
Table 65. TIMESTAMP_P1_HI Register (Address 0x2C)

| BIT | FIELD | TYPE | DEFAULT | DESCRIPTION |
|-----|-----------------|------|---------|------------------------------------|
| 7:0 | TIMESTAMP_P1_HI | R | 0x0 | Timestamp, upper 8 bits, RX Port 1 |

7.6.1.46 TIMESTAMP_P1_LO Register
Table 66. TIMESTAMP_P1_LO Register (Address 0x2D)

| BIT | FIELD | TYPE | DEFAULT | DESCRIPTION |
|-----|-----------------|------|---------|------------------------------------|
| 7:0 | TIMESTAMP_P1_LO | R | 0x0 | Timestamp, lower 8 bits, RX Port 1 |

7.6.1.47 TIMESTAMP_P2_HI Register
Table 67. TIMESTAMP_P2_HI Register (Address 0x2E)

| BIT | FIELD | TYPE | DEFAULT | DESCRIPTION |
|-----|-----------------|------|---------|------------------------------------|
| 7:0 | TIMESTAMP_P2_HI | R | 0x0 | Timestamp, upper 8 bits, RX Port 2 |

7.6.1.48 TIMESTAMP_P2_LO Register
Table 68. TIMESTAMP_P2_LO Register (Address 0x2F)

| BIT | FIELD | TYPE | DEFAULT | DESCRIPTION |
|-----|-----------------|------|---------|------------------------------------|
| 7:0 | TIMESTAMP_P2_LO | R | 0x0 | Timestamp, lower 8 bits, RX Port 2 |

7.6.1.49 *TIMESTAMP_P3_HI Register*

Table 69. TIMESTAMP_P3_HI Register (Address 0x30)

| BIT | FIELD | TYPE | DEFAULT | DESCRIPTION |
|-----|-----------------|------|---------|------------------------------------|
| 7:0 | TIMESTAMP_P3_HI | R | 0x0 | Timestamp, upper 8 bits, RX Port 3 |

7.6.1.50 *TIMESTAMP_P3_LO Register*

Table 70. TIMESTAMP_P3_LO Register (Address 0x31)

| BIT | FIELD | TYPE | DEFAULT | DESCRIPTION |
|-----|-----------------|------|---------|------------------------------------|
| 7:0 | TIMESTAMP_P3_LO | R | 0x0 | Timestamp, lower 8 bits, RX Port 3 |

7.6.2 CSI-2 Port Select Register

This register selects access to Digital CSI-2 registers.

Table 71. CSI_PORT_SEL Register (Address 0x32)

| BIT | FIELD | TYPE | DEFAULT | DESCRIPTION |
|-----|-----------------|------|---------|---|
| 7:5 | RESERVED | - | 0x0 | Reserved |
| 4 | TX_READ_PORT | R/W | 0 | Select TX port for register read This field selects one of the two TX port register blocks for readback. This applies to the subsequent registers prefixed "CSI". 0: Port 0 registers 1: Port 1 registers |
| 3:2 | RESERVED | - | 0x0 | Reserved |
| 1 | TX_WRITE_PORT_1 | R/W | 0 | Write Enable for TX port 1 registers This bit enables writes to TX port 1 registers. Any combination of TX port registers can be written simultaneously. This applies to the subsequent registers prefixed "CSI-2". 0: Writes disabled 1: Writes enabled |
| 0 | TX_WRITE_PORT_0 | R/W | 0 | Write Enable for TX port 0 registers This bit enables writes to TX port 0 registers. Any combination of TX port registers can be written simultaneously. This applies to the subsequent registers prefixed "CSI-2". 0: Writes disabled 1: Writes enabled |

7.6.3 Digital CSI-2 Registers (Paged)

Use CSI_PORT_SEL (0x32) register to select CSI-2 TX Port 0 or CSI-2 TX Port1 registers.

- CSI-2 TX Port 0:
 - Read: 0x32[4] = 0
 - Write: 0x32[0] = 1
- CSI-2 TX Port 1:
 - Read: 0x32[4] = 1
 - Write: 0x32[1] = 1

7.6.3.1 *CSI_CTL Register*

CSI-2 TX port specific register. The CSI-2 Port Select register 0x32 configures which unique CSI-2 TX port registers can be accessed by I2C read and write commands.

Table 72. CSI_CTL Register (Address 0x33)

| BIT | FIELD | TYPE | DEFAULT | DESCRIPTION |
|-----|----------|------|---------|-------------|
| 7 | RESERVED | - | 0 | Reserved |

Table 72. CSI_CTL Register (Address 0x33) (continued)

| BIT | FIELD | TYPE | DEFAULT | DESCRIPTION |
|-----|-----------------|------|---------|--|
| 6 | CSI_CAL_EN | R/W | 0 | Enable initial CSI-2 Skew-Calibration sequence When the initial skew-calibration sequence is enabled, the CSI-2 Transmitter will send the sequence at initialization, prior to sending any HS data. This bit should be set when operating at 1.6 Gbps CSI-2 speed (as configured in the CSI_PLL register). 0: Disabled 1: Enabled |
| 5:4 | CSI_LANE_COUNT | R/W | 0x0 | CSI-2 lane count 00: 4 lanes 01: 3 lanes 10: 2 lanes 11: 1 lane |
| 3:2 | CSI_ULP | R/W | 0 | Force LP00 state on data/clock lanes 00: Normal operation 01: LP00 state forced only on data lanes 10: Reserved 11: LP00 state forced on data and clock lanes |
| 1 | CSI_CONTS_CLOCK | R/W | 0 | Enable CSI-2 continuous clock mode 0: Disabled 1: Enabled NOTE: When enabled, the CSI-2 Transmitter will enter continuous clock mode upon transmission of the first packet |
| 0 | CSI_ENABLE | R/W | 0 | Enable CSI-2 output 0: Disabled 1: Enabled NOTE: Forwarding should be disabled (via the FWD_CTL1 register) prior to enabling or disabling the CSI-2 output. |

7.6.3.2 CSI_CTL2 Register

CSI-2 TX port specific register. The CSI-2 Port Select register 0x32 configures which unique CSI-2 TX port registers can be accessed by I2C read and write commands.

Table 73. CSI_CTL2 Register (Address 0x34)

| BIT | FIELD | TYPE | DEFAULT | DESCRIPTION |
|-----|------------------|--------|---------|---|
| 7:4 | RESERVED | - | 0x0 | Reserved |
| 3 | CSI_PASS_MODE | R/W | 0 | CSI-2PASS indication mode Determines whether the CSI-2 Pass indication is for a single port or all enabled ports. 0 : Assert PASS if at least one enabled Receive port is providing valid video data 1 : Assert PASS only if ALL enabled Receive ports are providing valid video data |
| 2 | CSI_CAL_INV | R/W | 0 | CSI-2 Calibration Inverted Data pattern During the CSI-2 skew-calibration pattern, the CSI-2 Transmitter will send a sequence of 01010101 data (first bit 0). Setting this bit to a 1 will invert the sequence to 10101010 data. |
| 1 | CSI_CAL_SINGLE | R/W/SC | 0 | Enable single periodic CSI-2 Skew-Calibration sequence Setting this bit will send a single skew-calibration sequence from the CSI-2 Transmitter. The skew-calibration sequence is the 2 ¹⁰ bit sequence required for periodic calibration. The calibration sequence is sent at the next idle period on the CSI-2 interface. This bit is self-clearing and will reset to 0 after the calibration sequence is sent. |
| 0 | CSI_CAL_PERIODIC | R/W | 0 | Enable periodic CSI-2 Skew-Calibration sequence When the periodic skew-calibration sequence is enabled, the CSI-2 Transmitter will send the periodic skew-calibration sequence following the sending of Frame End packets. 0: Disabled 1: Enabled |

7.6.3.3 CSI_STS Register

CSI-2 TX port specific register. The CSI-2 Port Select register 0x32 configures which unique CSI-2 TX port registers can be accessed by I2C read and write commands.

Table 74. CSI_STS Register (Address 0x35)

| BIT | FIELD | TYPE | DEFAULT | DESCRIPTION |
|-----|--------------|------|---------|---|
| 7:5 | RESERVED | - | 0x0 | Reserved |
| 4 | TX_PORT_NUM | R | 0 | TX Port Number This read-only field indicates the number of the currently selected TX read port. |
| 3:2 | RESERVED | - | 0x0 | Reserved |
| 1 | TX_PORT_SYNC | R | 0 | TX Port Synchronized This bit indicates the CSI-2 Transmit Port is able to properly synchronize input data streams from multiple sources. This bit is 0 if synchronization is disabled via the FWD_CTL2 register. 0 : Input streams are not synchronized 1 : Input streams are synchronized |
| 0 | TX_PORT_PASS | R | 0 | TX Port Pass Indicates valid data is available on at least one port, or on all ports if configured for all port status via the CSI_PASS_MODE bit in the CSI_CTL2 register. The function differs based on mode of operation. In asynchronous operation, the TX_PORT_PASS indicates the CSI-2 port is actively delivering valid video data. The status is cleared based on detection of an error condition that interrupts transmission. During Synchronized forwarding, the TX_PORT_PASS indicates valid data is available for delivery on the CSI-2 TX output. Data may not be delivered if ports are not synchronized. The TX_PORT_SYNC status is a better indicator that valid data is being delivered to the CSI-2 transmit port. |

7.6.3.4 CSI_TX_ICR Register

CSI-2 TX port specific register. The CSI-2 Port Select register 0x32 configures which unique CSI-2 TX port registers can be accessed by I2C read and write commands.

Table 75. CSI_TX_ICR Register (Address 0x36)

| BIT | FIELD | TYPE | DEFAULT | DESCRIPTION |
|-----|-------------------|------|---------|--|
| 7:5 | RESERVED | - | 0x0 | Reserved |
| 4 | IE_RX_PORT_INT | R/W | 0 | RX Port Interrupt Enable Enable interrupt based on receiver port interrupt for the RX Ports being forwarded to the CSI-2 Transmit Port. |
| 3 | IE_CSI_SYNC_ERROR | R/W | 0 | CSI-2 Sync Error interrupt Enable Enable interrupt on CSI-2 Synchronization enable. |
| 2 | IE_CSI_SYNC | R/W | 0 | CSI-2 Synchronized interrupt Enable Enable interrupts on CSI-2 Transmit Port assertion of CSI-2 Synchronized Status. |
| 1 | IE_CSI_PASS_ERROR | R/W | 0 | CSI-2 RX Pass Error interrupt Enable Enable interrupt on CSI-2 Pass Error |
| 0 | IE_CSI_PASS | R/W | 0 | CSI-2 Pass interrupt Enable Enable interrupt on CSI-2 Transmit Port assertion of CSI-2 Pass. |

7.6.3.5 CSI_TX_ISR Register

CSI-2 TX port specific register. The CSI-2 Port Select register 0x32 configures which unique CSI-2 TX port registers can be accessed by I2C read and write commands.

Table 76. CSI_TX_ISR Register (Address 0x37)

| BIT | FIELD | TYPE | DEFAULT | DESCRIPTION |
|-----|----------|------|---------|-------------|
| 7:5 | RESERVED | - | 0x0 | Reserved |

Table 76. CSI_TX_ISR Register (Address 0x37) (continued)

| BIT | FIELD | TYPE | DEFAULT | DESCRIPTION |
|-----|-------------------|------|---------|--|
| 4 | IS_RX_PORT_INT | R/RC | 0 | RX Port Interrupt A Receiver port interrupt has been generated for one of the RX Ports being forwarded to the CSI-2 Transmit Port. A read of the associated port receive status registers will clear this interrupt. See the PORT_ISR_HI and PORT_ISR_LO registers for details. |
| 3 | IS_CSI_SYNC_ERROR | R/RC | 0 | CSI-2 Sync Error interrupt A synchronization error has been detected for multiple video stream inputs to the CSI-2 Transmitter. |
| 2 | IS_CSI_SYNC | R/RC | 0 | CSI-2 Synchronized interrupt CSI-2 Transmit Port assertion of CSI-2 Synchronized Status. Current status for CSI-2 Sync can be read from the TX_PORT_SYNC flag in the CSI_STS register. |
| 1 | IS_CSI_PASS_ERROR | R/RC | 0 | CSI-2 RX Pass Error interrupt A deassertion of CSI-2 Pass has been detected on one of the RX Ports being forwarded to the CSI-2 Transmit Port |
| 0 | IS_CSI_PASS | R/RC | 0 | CSI-2 Pass interrupt CSI-2 Transmit Port assertion of CSI-2 Pass detected. Current status for the CSI-2 Pass indication can be read from the TX_PORT_PASS flag in the CSI_STS register |

7.6.3.6 RESERVED Register

Table 77. RESERVED Register (Address 0x38)

| BIT | FIELD | TYPE | DEFAULT | DESCRIPTION |
|-----|----------|------|---------|-------------|
| 7:0 | RESERVED | - | 0x0 | Reserved |

7.6.3.7 RESERVED Register

Table 78. RESERVED Register (Address 0x39)

| BIT | FIELD | TYPE | DEFAULT | DESCRIPTION |
|-----|----------|------|---------|-------------|
| 7:0 | RESERVED | - | 0x0 | Reserved |

7.6.3.8 RESERVED Register

Table 79. RESERVED Register (Address 0x3A)

| BIT | FIELD | TYPE | DEFAULT | DESCRIPTION |
|-----|----------|------|---------|-------------|
| 7:0 | RESERVED | - | 0x0 | Reserved |

7.6.4 RESERVED Registers

Table 80. RESERVED Registers (Address 0x3B - 0x3F)

| BIT | FIELD | TYPE | DEFAULT | DESCRIPTION |
|-----|----------|------|---------|-------------|
| 7:0 | RESERVED | - | 0x0 | Reserved |

7.6.5 AEQ Registers (Shared)

7.6.5.1 RESERVED Register

Table 81. RESERVED Register (Address 0x40)

| BIT | FIELD | TYPE | DEFAULT | DESCRIPTION |
|-----|----------|------|---------|-------------|
| 7:0 | RESERVED | - | 0x0 | Reserved |

7.6.5.2 SFILTER_CFG Register
Table 82. SFILTER_CFG Register (Address 0x41)

| BIT | FIELD | TYPE | DEFAULT | DESCRIPTION |
|-----|-------------|------|---------|--|
| 7:4 | SFILTER_MAX | R/W | 0xA | SFILTER Maximum Setting This field controls the maximum SFILTER setting. Allowed values are 0-14 with 7 being the mid point. These values are used for both AEQ adaption and dynamic SFILTER control. The maximum setting must be greater than or equal to the SFILTER_MIN. |
| 3:0 | SFILTER_MIN | R/W | 0x9 | SFILTER Minimum Setting This field controls the minimum SFILTER setting. Allowed values are 0-14, where 7 is the mid point. These values are used for both AEQ adaption and dynamic SFILTER control. The minimum setting must be less than or equal to the SFILTER_MAX |

7.6.5.3 AEQ_CTL Register
Table 83. AEQ_CTL Register (Address 0x42)

| BIT | FIELD | TYPE | DEFAULT | DESCRIPTION |
|-----|----------------|------|---------|---|
| 7 | RESERVED | - | 0 | Reserved |
| 6:4 | AEQ_ERR_CTL | R/W | 0x7 | AEQ Error Control Setting any of these bits will enable FPD3 error checking during the Adaptive Equalization process. Errors are accumulated over 1/2 of the period of the timer set by the ADAPTIVE_EQ_RELOCK_TIME field in the AEQ_TEST register. If the number of errors is greater than the programmed threshold (AEQ_ERR_THRESHOLD), the AEQ will attempt to increase the EQ setting. The errors may also be checked as part of EQ setting validation if AEQ_2STEP_EN is set. The following errors are checked based on this three bit field: [2] FPD3 clk1/clk0 errors [1] DCA sequence errors [0] Parity errors |
| 3 | AEQ_SFIL_ORDER | R/W | 0 | AEQ SFILTER Adapt order This bit controls the order of adaption for SFILTER values during Adaptive Equalization. 0 : Default order, start at largest clock delay 1 : Start at midpoint, no additional clock or data delay |
| 2 | AEQ_2STEP_EN | R/W | 0 | AEQ 2-step enable This bit enables a two-step operation as part of the Adaptive EQ algorithm. If disabled, the state machine will wait for a programmed period of time, then check status to determine if setting is valid. If enabled, the state machine will wait for 1/2 the programmed period, then check for errors over an additional 1/2 the programmed period. If errors occur during the 2nd step, the state machine will immediately move to the next setting. 0 : Wait for full programmed delay, then check instantaneous lock value 1 : Wait for 1/2 programmed time, then check for errors over 1/2 programmed time. The programmed time is controlled by the ADAPTIVE_EQ_RELOCK_TIME field in the AEQ_TEST register |
| 1 | AEQ_OUTER_LOOP | R/W | 0 | AEQ outer loop control This bit controls whether the Equalizer or SFILTER adaption is the outer loop when the AEQ adaption includes SFILTER adaption. 0 : AEQ is inner loop, SFILTER is outer loop 1 : AEQ is outer loop, SFILTER is inner loop |
| 0 | AEQ_SFILTER_EN | R/W | 1 | Enable SFILTER Adaption with AEQ Setting this bit allows SFILTER adaption as part of the Adaptive Equalizer algorithm. |

7.6.5.4 AEQ_ERR_THOLD Register

Table 84. AEQ_ERR_THOLD Register (Address 0x43)

| BIT | FIELD | TYPE | DEFAULT | DESCRIPTION |
|-----|-------------------|------|---------|--|
| 7:0 | AEQ_ERR_THRESHOLD | R/W | 0x1 | AEQ Error Threshold This register controls the error threshold to determine when to re-adapt the EQ settings. This register should not be programmed to a value of 0. |

7.6.5.5 RESERVED Register

Table 85. RESERVED Register (Address 0x44)

| BIT | FIELD | TYPE | DEFAULT | DESCRIPTION |
|-----|----------|------|---------|-------------|
| 7:0 | RESERVED | - | 0 | Reserved |

7.6.5.6 RESERVED Register

Table 86. RESERVED Register (Address 0x45)

| BIT | FIELD | TYPE | DEFAULT | DESCRIPTION |
|-----|----------|------|---------|-------------|
| 7:0 | RESERVED | - | 0x0 | Reserved |

7.6.6 Digital RX Port Registers

Use FPD3_PORT_SEL (0x4C) register to select digital RX Port 0, RX Port1, RX Port 2, or RX Port 3 registers.

- FPD3 RX Port 0:
 - Read: 0x4C[5:4] = 00
 - Write: 0x4C[0] = 1
- FPD3 RX Port 1:
 - Read: 0x4C[5:4] = 01
 - Write: 0x4C[1] = 1
- FPD3 RX Port 2:
 - Read: 0x4C[5:4] = 10
 - Write: 0x4C[2] = 1
- FPD3 RX Port 3:
 - Read: 0x4C[5:4] = 11
 - Write: 0x4C[3] = 1

7.6.6.1 BCC_ERR_CTL Register

RX port specific register. The FPD-Link III Port Select register 0x4C configures which unique Rx port registers can be accessed by I2C read and write commands.

Table 87. BCC_ERR_CTL Register (Address 0x46)

| BIT | FIELD | TYPE | DEFAULT | DESCRIPTION |
|-----|---------------------|------|---------|--|
| 7 | BCC_ACK_REMOTE_READ | R/W | 0 | Enable Control Channel to acknowledge start of remote read. When operating with a link partner that supports Enhanced Error Checking for the Bidirectional Control Channel, setting this bit allows the Deserializer to generate an internal acknowledge to the beginning of a remote I2C slave read. This allows additional error detection at the Serializer. This bit should not be set when operating with Serializers that do not support Enhanced Error Checking. 0: Disable 1: Enable |

Table 87. BCC_ERR_CTL Register (Address 0x46) (continued)

| BIT | FIELD | TYPE | DEFAULT | DESCRIPTION |
|-----|------------------|------|---------|---|
| 6 | BCC_EN_DATA_CHK | R/W | 0 | Enable checking of returned data Enhanced Error checking can check for errors on returned data during an acknowledge cycle for data sent to remote devices over the Bidirectional Control Channel. In addition, If an error is detected, this register control will allow changing a remote Ack to a Nack to indicate the data error on the local I2C interface. This bit should not be set when operating with Serializers that do not support Enhanced Error checking as they will not always return the correct data during an Ack. 0: Disable returned data error detection 1: Enable returned data error detection |
| 5 | BCC_EN_ENH_ERROR | R/W | 1 | Enable Enhanced Error checking in Bidirectional Control Channel The Bidirectional Control Channel can detect certain error conditions and terminate transactions if an error is detected. This capability can be disabled by setting this bit to 0. 0: Disable Enhanced Error checking 1: Enable Enhanced Error checking |
| 4:3 | FORCE_BCC_ERROR | R/W | 0x0 | BCC Force Error The BCC Force Error control causes an error to be forced on the BCC over the back channel. 00 : No error 01 : Force CRC Error on BCC frame = BCC_FRAME_SEL 10 : Force CRC Error on normal frame following BCC frame = BCC_FRAME_SEL 11 : FORCE Data Error on BCC frame = BCC_FRAME_SEL Setting this control generates a single error on the back channel signaling. |
| 2:0 | BCC_FRAME_SEL | R/W | 0x0 | BCC Frame Select The BCC Frame Select allows selection of the forward channel BCC frame which will include the error condition selected in the force control bits of this register. BCC transfers are sent in bytes for each block transferred. This value may be set in range of 0 to 7 to force an error on any of the first 8 bytes sent on the BCC forward channel. |

7.6.6.2 BCC_STATUS Register

RX port specific register. The FPD-Link III Port Select register 0x4C configures which unique Rx port registers can be accessed by I2C read and write commands.

Table 88. BCC_STATUS Register (Address 0x47)

| BIT | FIELD | TYPE | DEFAULT | DESCRIPTION |
|-----|----------------|------|---------|---|
| 7:6 | RESERVED | - | 0x0 | Reserved |
| 5 | BCC_SEQ_ERROR | R/RC | 0 | Bidirectional Control Channel Sequence Error Detected This bit indicates a sequence error has been detected in the forward control channel. If this bit is set, an error may have occurred in the control channel operation. If BCC_EN_ENH_ERR is 0 (disabled), this register is read-only copy of the BCC_SEQ_ERROR bit in the RX_PORT_STS1 register. If BCC_EN_ENH_ERR is 1 (enabled), this register is cleared on read of this register. |
| 4 | BCC_MASTER_ERR | R/RC | 0 | BCC Master Error This flag indicates a Forward Channel BCC Sequence, BCC CRC, or Lock error occurred while waiting for a response from the Serializer while the BCC I2C Master is active. This flag is cleared on read of this register. This indication is available only if BCC_EN_ENH_ERR is set to 1. |
| 3 | BCC_MASTER_TO | R/RC | 0 | BCC Master Timeout Error This bit will be set if the BCC Watchdog Timer expires while waiting for a response from the Serializer while the BCC I2C Master is active. This flag is cleared on read of this register. This indication is available only if BCC_EN_ENH_ERR is set to 1. |

Table 88. BCC_STATUS Register (Address 0x47) (continued)

| BIT | FIELD | TYPE | DEFAULT | DESCRIPTION |
|-----|---------------|------|---------|---|
| 2 | BCC_SLAVE_ERR | R/RC | 0 | BCC Slave Error This flag indicates a Forward Channel BCC Sequence, BCC CRC, or Lock error occurred while waiting for a response from the Serializer while the BCC I2C Slave is active. This flag is cleared on read of this register. This indication is available only if BCC_EN_ENH_ERR is set to 1. |
| 1 | BCC_SLAVE_TO | R/RC | 0 | BCC Slave Timeout Error This bit will be set if the BCC Watchdog Timer expires while waiting for a response from the Serializer while the BCC I2C Slave is active. This flag is cleared on read of this register. |
| 0 | BCC_RESP_ERR | R/RC | 0 | BCC Response Error This flag indicates an error has been detected in response to a command on the Bidirectional Control Channel. When the I2C Slave is active, the Serializer should return data written (I2C address, offset, or data). When the I2C Slave is active, the Serializer should return data read. The BCC function checks the returned data for errors, and will set this flag if an error is detected. This flag is cleared on read of this register. This indication is available only if BCC_EN_ENH_ERR is set to 1. |

7.6.6.3 RESERVED Register

Table 89. RESERVED (Address 0x48)

| BIT | FIELD | TYPE | DEFAULT | DESCRIPTION |
|-----|----------|------|---------|-------------|
| 7:0 | RESERVED | - | 0x00 | Reserved |

7.6.6.4 RESERVED Register

Table 90. RESERVED (Address 0x49)

| BIT | FIELD | TYPE | DEFAULT | DESCRIPTION |
|-----|----------|------|---------|-------------|
| 7:0 | RESERVED | - | 0x00 | Reserved |

7.6.6.5 FPD3_CAP Register

RX port specific register. The FPD-Link III Port Select register 0x4C configures which unique Rx port registers can be accessed by I2C read and write commands.

Recommend to set bit four in the FPD-Link III capabilities register to one in order to flag errors detected from enhanced CRC on encoded link control information. The FPD-Link III Encoder CRC must also be enabled by setting the FPD3_ENC_CRC_DIS (register 0xBA[7]) to 0.

Table 91. FPD3_CAP (Address 0x4A)

| BIT | FIELD | TYPE | DEFAULT | DESCRIPTION |
|-----|------------------|------|---------|--|
| 7:5 | RESERVED | - | 0x0 | Reserved |
| 4 | FPD3_ENC_CRC_CAP | R/W | 0 | 0: Disable CRC error flag from FPD-Link III encoder 1: Disable CRC error flag from FPD-Link III encoder (recommended) |
| 3:0 | RESERVED | - | 0x0 | Reserved |

7.6.6.6 RAW_EMBED_DTYPE Register

RX port specific register. The FPD-Link III Port Select register 0x4C configures which unique Rx port registers can be accessed by I2C read and write commands.

When the receiver is programmed for Raw mode data, this register field allows setting the Data Type field for the first N lines to indicated embedded non-image data. RAW_EMBED_DTYPE has no effect on CSI-2 receiver modes.

Table 92. RAW_EMBED_DTYPE (Address 0x4B)

| BIT | FIELD | TYPE | DEFAULT | DESCRIPTION |
|-----|----------------|------|---------|--|
| 7:6 | EMBED_DTYPE_EN | R/W | 00 | Embedded Data Type Enable. 00 : All long packets will be forwarded as RAW10 or RAW12 video data 01, 10, or 11 : Send first N long packets (1, 2, or 3) as Embedded data using the data type in the EMBED_DTYPE_ID field of this register. This control has no effect if the Receiver is programmed to receive CSI-2 formatted data. |
| 5:0 | EMBED_DTYPE_ID | R/W | 0x12 | Embedded Data Type. If sending embedded data is enabled via the EMBED_DTYPE_EN control in this register, the Data Type field for the first N lines of each frame will use this value rather than the value programmed in the RAW12_ID or RAW10_ID registers. The default setting matches the CSI-2 specification for Embedded 8-bit non Image Data |

7.6.6.7 FPD3_PORT_SEL Register

The FPD-Link III Port Select register configures which port is accessed in I2C commands to unique Rx Port registers 0x4D - 0x7F and 0xD0 - 0xDF. A 2-bit RX_READ_PORT field provides for reading values from a single port. The RX_WRITE_PORT fields provide individual enables for each port, allowing simultaneous writes broadcast to all of the FPD-Link III Receive port register blocks in unison. The DS90UB960-Q1 maintains separate page control, preventing conflict between sources.

Table 93. FPD3_PORT_SEL Register (Address 0x4C)

| BIT | FIELD | TYPE | DEFAULT | DESCRIPTION |
|-----|-----------------|------|-------------------------|--|
| 7:6 | PHYS_PORT_NUM | R | 0x0 Port# | Physical port number This field provides the physical port connection when reading from a remote device via the Bi-directional Control Channel. When accessed via local I2C interfaces, the value returned is always 0. When accessed via Bi-directional Control Channel, the value returned is the port number of the Receive port connection. |
| 5:4 | RX_READ_PORT | R/W | 0x0 Port# | Select RX port for register read This field selects one of the four RX port register blocks for readback. This applies to all paged FPD3 Receiver port registers. 00: Port 0 registers 01: Port 1 registers 10: Port 2 registers 11: Port 3 registers When accessed via local I2C interfaces, the default setting is 0. When accessed via Bi-directional Control Channel, the default value is the port number of the Receive port connection. |
| 3 | RX_WRITE_PORT_3 | R/W | 0 1 for RX Port 3 | Write Enable for RX port 3 registers This bit enables writes to RX port 3 registers. Any combination of RX port registers can be written simultaneously. This applies to all paged FPD3 Receiver port registers. 0: Writes disabled 1: Writes enabled When accessed via Bi-directional Control Channel, the default value is 1 if accessed over RX port 3. |
| 2 | RX_WRITE_PORT_2 | R/W | 0 1 for RX Port 2 | Write Enable for RX port 2 registers This bit enables writes to RX port 2 registers. Any combination of RX port registers can be written simultaneously. This applies to all paged FPD3 Receiver port registers. 0: Writes disabled 1: Writes enabled When accessed via Bi-directional Control Channel, the default value is 1 if accessed over RX port 2. |
| 1 | RX_WRITE_PORT_1 | R/W | 0 1 for RX Port 1 | Write Enable for RX port 1 registers This bit enables writes to RX port 1 registers. Any combination of RX port registers can be written simultaneously. This applies to all paged FPD3 Receiver port registers. 0: Writes disabled 1: Writes enabled When accessed via Bi-directional Control Channel, the default value is 1 if accessed over RX port 1. |

Table 93. FPD3_PORT_SEL Register (Address 0x4C) (continued)

| BIT | FIELD | TYPE | DEFAULT | DESCRIPTION |
|-----|-----------------|------|-------------------------|--|
| 0 | RX_WRITE_PORT_0 | R/W | 0 1 for RX Port 0 | Write Enable for RX port 0 registers This bit enables writes to RX port 0 registers. Any combination of RX port registers can be written simultaneously. This applies to all paged FPD3 Receiver port registers. 0: Writes disabled 1: Writes enabled When accessed via Bi-directional Control Channel, the default value is 1 if accessed over RX port 0. |

7.6.6.8 RX_PORT_STS1 Register

RX port specific register. The FPD-Link III Port Select register 0x4C configures which unique Rx port registers can be accessed by I2C read and write commands.

Table 94. RX_PORT_STS1 Register (Address 0x4D)

| BIT | FIELD | TYPE | DEFAULT | DESCRIPTION |
|-----|------------------------------|-----------|---------|---|
| 7:6 | RX_PORT_NUM | R | 0x0 | RX Port Number This read-only field indicates the number of the currently selected RX read port. |
| 5 | BCC_CRC_ERROR | R/RC | 0 | Bi-directional Control Channel CRC Error Detected This bit indicates a CRC error has been detected in the forward control channel. If this bit is set, an error may have occurred in the control channel operation. This bit is cleared on read. |
| 4 | LOCK_STS_CHG | R/RC | 0 | Lock Status Changed This bit is set if a change in receiver lock status has been detected since the last read of this register. Current lock status is available in the LOCK_STS bit of this register This bit is cleared on read. |
| 3 | BCC_SEQ_ERROR / BCC_ERROR | R/RC // R | 0 | The function of this bit depends on the setting of the BCC_EN_ENH_ERR control in the BCC_ERR_CTL register. If BCC_EN_ENH_ERR is 0 (disabled), this register is defined as follows: Bidirectional Control Channel Sequence Error Detected This bit indicates a sequence error has been detected in the forward control channel. If this bit is set, an error may have occurred in the control channel operation. This bit is cleared on read. If BCC_EN_ENH_ERR is 1 (enabled), this register is defined as follows: Bidirectional Control Channel Error Flag This flag indicates one or more errors have been detected during Bidirectional Control Channel communication with the Deserializer. The BCC_STATUS register contains further information on the type of error detected. This bit will be cleared upon read of the BCC_STATUS register. |
| 2 | PARITY_ERROR | R | 0 | FPD3 parity errors detected This flag is set when the number of parity errors detected is greater than the threshold programmed in the PAR_ERR_THOLD registers. 1: Number of FPD3 parity errors detected is greater than the threshold 0: Number of FPD3 parity errors is below the threshold This bit is cleared when the RX_PAR_ERR_HI/LO registers are cleared. |
| 1 | PORT_PASS | R | 0 | Receiver PASS indication This bit indicates the current status of the Receiver PASS indication. The requirements for setting the Receiver PASS indication are controlled by the PORT_PASS_CTL register. 1: Receive input has met PASS criteria 0: Receive input does not meet PASS criteria |
| 0 | LOCK_STS | R | 0 | FPD-Link III receiver is locked to incoming data 1: Receiver is locked to incoming data 0: Receiver is not locked |

7.6.6.9 RX_PORT_STS2 Register

RX port specific register. The FPD-Link III Port Select register 0x4C configures which unique Rx port registers can be accessed by I2C read and write commands.

Table 95. RX_PORT_STS2 Register (Address 0x4E)

| BIT | FIELD | TYPE | DEFAULT | DESCRIPTION |
|-----|-------------------|------|---------|---|
| 7 | LINE_LEN_UNSTABLE | R/RC | 0 | Line Length Unstable If set, this bit indicates the line length was detected as unstable during a previous video frame. The line length is considered to be stable if all the lines in the video frame have the same length. This flag will remain set until read. |
| 6 | LINE_LEN_CHG | R/RC | 0 | Line Length Changed 1: Change of line length detected 0: Change of line length not detected This bit is cleared on read. |
| 5 | FPD3_ENCODE_ERROR | R/RC | 0 | FPD3 Encoder error detected If set, this flag indicates an error in the FPD-Link III encoding has been detected by the FPD-Link III receiver. This bit is cleared on read. Note, to detect FP3 Encoder errors, the LINK_ERROR_COUNT must be enabled with a LINK_ERR_THRESH value greater than 1. Otherwise, the loss of Receiver Lock will prevent detection of the Encoder error. |
| 4 | BUFFER_ERROR | R/RC | 0 | Packet buffer error detected. If this bit is set, an overflow condition has occurred on the packet buffer FIFO. 1: Packet Buffer error detected 0: No Packet Buffer errors detected This bit is cleared on read. |
| 3 | CSI_ERROR | R | 0 | CSI-2 Receive error detected See the CSI_RX_STS register for details. |
| 2 | FREQ_STABLE | R | 0 | Frequency measurement stable |
| 1 | NO_FPD3_CLK | R | 0 | No FPD-Link III input clock detected |
| 0 | LINE_CNT_CHG | R/RC | 0 | Line Count Changed 1: Change of line count detected 0: Change of line count not detected This bit is cleared on read. |

7.6.6.10 RX_FREQ_HIGH Register

RX port specific register. The FPD-Link III Port Select register 0x4C configures which unique Rx port registers can be accessed by I2C read and write commands.

Table 96. RX_FREQ_HIGH Register (Address 0x4F)

| BIT | FIELD | TYPE | DEFAULT | DESCRIPTION |
|-----|---------------|------|---------|---|
| 7:0 | FREQ_CNT_HIGH | R | 0x0 | Frequency Counter High Byte (MHz) The Frequency counter reports the measured frequency for the FPD3 Receiver. This portion of the field is the integer value in MHz. |

7.6.6.11 RX_FREQ_LOW Register

RX port specific register. The FPD-Link III Port Select register 0x4C configures which unique Rx port registers can be accessed by I2C read and write commands.

Table 97. RX_FREQ_LOW Register (Address 0x50)

| BIT | FIELD | TYPE | DEFAULT | DESCRIPTION |
|-----|--------------|------|---------|---|
| 7:0 | FREQ_CNT_LOW | R | 0x0 | Frequency Counter Low Byte (1/256 MHz) The Frequency counter reports the measured frequency for the FPD3 Receiver. This portion of the field is the fractional value in 1/256 MHz. |

7.6.6.12 SENSOR_STS_0 Register

RX port specific register. The FPD-Link III Port Select register 0x4C configures which unique Rx port registers can be accessed by I2C read and write commands.

Sensor Status Register 0 field provides additional status information when paired with a DS90UB953-Q1 Serializer. This field is automatically loaded from the forward channel.

Table 98. SENSOR_STS_0 (Address 0x51)

| BIT | FIELD | TYPE | DEFAULT | DESCRIPTION |
|-----|-------------------|------|---------|---|
| 7:6 | RESERVED | - | 00 | Reserved |
| 5 | CSI_ALARM | R | 0 | Alarm flag for CSI-2 error from serializer |
| 4 | BCC_ALARM | R | 0 | Alarm flag for back channel error from serializer |
| 3 | LINK_DETECT_ALARM | R | 0 | Alarm flag for link detect from serializer |
| 2 | TEMP_SENSE_ALARM | R | 0 | Alarm flag for temp sensor from serializer |
| 1 | VOLT1_SENSE_ALARM | R | 0 | Alarm flag for voltage sensor 1 from serializer |
| 0 | VOLT0_SENSE_ALARM | R | 0 | Alarm flag for voltage sensor 0 from serializer |

7.6.6.13 SENSOR_STS_1 Register

RX port specific register. The FPD-Link III Port Select register 0x4C configures which unique Rx port registers can be accessed by I2C read and write commands.

Sensor Status Register 1 field provides additional status information when paired with a DS90UB953-Q1 Serializer. This field is automatically loaded from the forward channel.

Table 99. SENSOR_STS_1 (Address 0x52)

| BIT | FIELD | TYPE | DEFAULT | DESCRIPTION |
|-----|-------------------|------|---------|--|
| 7 | RESERVED | - | 0 | Reserved |
| 6:4 | VOLT1_SENSE_LEVEL | R | 0x0 | Voltage sensor sampled value from serializer |
| 3 | RESERVED | - | 0 | Reserved |
| 2:0 | VOLT0_SENSE_LEVEL | R | 0x0 | Voltage sensor sampled value from serializer |

7.6.6.14 SENSOR_STS_2 Register

RX port specific register. The FPD-Link III Port Select register 0x4C configures which unique Rx port registers can be accessed by I2C read and write commands.

Sensor Status Register 2 field provides additional status information when paired with a DS90UB953-Q1 Serializer. This field is automatically loaded from the forward channel.

Table 100. SENSOR_STS_2 (Address 0x53)

| BIT | FIELD | TYPE | DEFAULT | DESCRIPTION |
|-----|------------------|------|---------|--|
| 7:3 | RESERVED | - | 0 | |
| 2:0 | TEMP_SENSE_LEVEL | R | 0x0 | Temperature sensor sampled value from serializer |

7.6.6.15 SENSOR_STS_3 Register

RX port specific register. The FPD-Link III Port Select register 0x4C configures which unique Rx port registers can be accessed by I2C read and write commands.

Sensor Status Register 3 field provides additional status information on the CSI-2 input when paired with a DS90UB953-Q1 Serializer. This field is automatically loaded from the forward channel.

Table 101. SENSOR_STS_3 (Address 0x54)

| BIT | FIELD | TYPE | DEFAULT | DESCRIPTION |
|-----|------------------|------|---------|---|
| 7:5 | RESERVED | - | 0 | Reserved |
| 4 | CSI_ECC_2BIT_ERR | R | 0 | CSI-2 -2 ECC error flag from serializer |
| 3 | CSI_CHKSUM_ERR | R | 0 | CSI-2 checksum error from serializer |
| 2 | CSI_SOT_ERR | R | 0 | CSI-2 start of transmission error from serializer |
| 1 | CSI_SYNC_ERR | R | 0 | CSI-2 synchronization error from serializer |
| 0 | CSI_CNTRL_ERR | R | 0 | CSI-2 control error from serializer |

7.6.6.16 RX_PAR_ERR_HI Register

RX port specific register. The FPD-Link III Port Select register 0x4C configures which unique Rx port registers can be accessed by I2C read and write commands.

Table 102. RX_PAR_ERR_HI Register (Address 0x55)

| BIT | FIELD | TYPE | DEFAULT | DESCRIPTION |
|-----|------------------|------|---------|---|
| 7:0 | PAR_ERROR_BYTE_1 | R | 0x0 | Number of FPD3 parity errors – 8 most significant bits The parity error counter registers return the number of data parity errors that have been detected on the FPD3 Receiver data since the last detection of valid lock or last read of the RX_PAR_ERR_LO register. For accurate reading of the parity error count, disable the RX PARITY CHECKER ENABLE bit in register 0x2 prior to reading the parity error count registers. This register is cleared upon reading the RX_PAR_ERR_LO register. |

7.6.6.17 RX_PAR_ERR_LO Register

RX port specific register. The FPD-Link III Port Select register 0x4C configures which unique Rx port registers can be accessed by I2C read and write commands.

Table 103. RX_PAR_ERR_LO Register (Address 0x56)

| BIT | FIELD | TYPE | DEFAULT | DESCRIPTION |
|-----|------------------|------|---------|--|
| 7:0 | PAR_ERROR_BYTE_0 | R | 0x0 | Number of FPD3 parity errors – 8 least significant bits The parity error counter registers return the number of data parity errors that have been detected on the FPD3 Receiver data since the last detection of valid lock or last read of the RX_PAR_ERR_LO register. For accurate reading of the parity error count, disable the RX PARITY CHECKER ENABLE bit in register 0x2 prior to reading the parity error count registers. This register is cleared on read. |

7.6.6.18 BIST_ERR_COUNT Register

RX port specific register. The FPD-Link III Port Select register 0x4C configures which unique Rx port registers can be accessed by I2C read and write commands.

Table 104. BIST_ERR_COUNT Register (Address 0x57)

| BIT | FIELD | TYPE | DEFAULT | DESCRIPTION |
|-----|------------------|------|---------|--|
| 7:0 | BIST_ERROR_COUNT | R | 0x0 | Bist Error Count Returns BIST error count |

7.6.6.19 BCC_CONFIG Register

RX port specific register. The FPD-Link III Port Select register 0x4C configures which unique Rx port registers can be accessed by I2C read and write commands.

Table 105. BCC_CONFIG Register (Address 0x58)

| BIT | FIELD | TYPE | DEFAULT | DESCRIPTION |
|-----|-------------------------|-------|---------|--|
| 7 | I2C_PASS_THROUGH_ALL | R/W | 0 | I2C Pass-Through All Transactions 0: Disabled 1: Enabled |
| 6 | I2C_PASS_THROUGH | R/W | 0 | I2C Pass-Through to Serializer if decode matches 0: Pass-Through Disabled 1: Pass-Through Enabled |
| 5 | AUTO_ACK_ALL | R/W | 0 | Automatically Acknowledge all I2C writes independent of the forward channel lock state or status of the remote Acknowledge 1: Enable 0: Disable |
| 4 | BC_ALWAYS_ON | R/W | 1 | Back channel enable 1: Back channel is always enabled independent of I2C_PASS_THROUGH and I2C_PASS_THROUGH_ALL 0: Back channel enable requires setting of either I2C_PASS_THROUGH and I2C_PASS_THROUGH_ALL This bit may only be written via a local I2C master. |
| 3 | BC_CRC_GENERATOR_ENABLE | R/W | 1 | Back Channel CRC Generator Enable 0: Disable 1: Enable |
| 2:0 | BC_FREQ_SELECT | R/W/S | Strap | Back Channel Frequency Select 000: 2.5 Mbps (default for DS90UB913A-Q1 / DS90UB933-Q1 compatibility) 001: Reserved 010: 10 Mbps 011: Reserved 100: Reserved 101: Reserved 110: 50 Mbps (default for DS90UB953-Q1 compatibility) 111: Reserved Note that changing this setting will result in some errors on the back channel for a short period of time. If set over the control channel, the Deserializer should first be programmed to Auto-Ack operation to avoid a control channel timeout due to lack of response from the Serializer. |

7.6.6.20 DATAPATH_CTL1 Register

RX port specific register. The FPD-Link III Port Select register 0x4C configures which unique Rx port registers can be accessed by I2C read and write commands.

Table 106. DATAPATH_CTL1 Register (Address 0x59)

| BIT | FIELD | TYPE | DEFAULT | DESCRIPTION |
|-----|--------------------|------|---------|--|
| 7 | OVERRIDE_FC_CONFIG | R/W | 0 | 1: Disable loading of the DATAPATH_CTL registers from the forward channel, keeping locally written values intact. 0: Allow forward channel loading of DATAPATH_CTL registers |
| 6:2 | RESERVED | - | 0x0 | Reserved |
| 1:0 | FC_GPIO_EN | R/W | 0x0 | Forward Channel GPIO Enable Configures the number of enabled forward channel GPIOs 00: GPIOs disabled 01: One GPIO 10: Two GPIOs 11: Four GPIOs This field is normally loaded from the remote serializer. It can be overwritten if the OVERRIDE_FC_CONFIG bit in this register is 1. |

7.6.6.21 DATAPATH_CTL2 Register

RX port specific register. The FPD-Link III Port Select register 0x4C configures which unique Rx port registers can be accessed by I2C read and write commands.

Table 107. DATAPATH_CTL2 Register (Address 0x5A)

| BIT | FIELD | TYPE | DEFAULT | DESCRIPTION |
|-----|----------|------|---------|-------------|
| 7:0 | RESERVED | - | 0x0 | Reserved |

7.6.6.22 SER_ID Register

RX port specific register. The FPD-Link III Port Select register 0x4C configures which unique Rx port registers can be accessed by I2C read and write commands.

Table 108. SER_ID Register (Address 0x5B)

| BIT | FIELD | TYPE | DEFAULT | DESCRIPTION |
|-----|------------------|------|---------|--|
| 7:1 | SER_ID | R/W | 0x0 | Remote Serializer ID This field is normally loaded automatically from the remote Serializer. |
| 0 | FREEZE_DEVICE_ID | R/W | 0 | Freeze Serializer Device ID Prevent auto-loading of the Serializer Device ID from the Forward Channel. The ID is frozen at the value written. |

7.6.6.23 SER_ALIAS_ID Register

RX port specific register. The FPD-Link III Port Select register 0x4C configures which unique Rx port registers can be accessed by I2C read and write commands.

Table 109. SER_ALIAS_ID Register (Address 0x5C)

| BIT | FIELD | TYPE | DEFAULT | DESCRIPTION |
|-----|--------------|------|---------|--|
| 7:1 | SER_ALIAS_ID | R/W | 0x0 | 7-bit Remote Serializer Alias ID Configures the decoder for detecting transactions designated for an I2C Slave device attached to the remote Deserializer. The transaction is remapped to the address specified in the Slave ID register. A value of 0 in this field disables access to the remote I2C Slave. |
| 0 | SER_AUTO_ACK | R/W | 0 | Automatically Acknowledge all I2C writes to the remote Serializer independent of the forward channel lock state or status of the remote Serializer Acknowledge 1: Enable 0: Disable |

7.6.6.24 SlaveID[0] Register

RX port specific register. The FPD-Link III Port Select register 0x4C configures which unique Rx port registers can be accessed by I2C read and write commands.

Table 110. SlaveID[0] Register (Address 0x5D)

| BIT | FIELD | TYPE | DEFAULT | DESCRIPTION |
|-----|-----------|------|---------|--|
| 7:1 | SLAVE_ID0 | R/W | 0x0 | 7-bit Remote Slave Device ID 0 Configures the physical I2C address of the remote I2C Slave device attached to the remote Serializer. If an I2C transaction is addressed to the Slave Alias ID0, the transaction is remapped to this address before passing the transaction across the Bi-directional Control Channel to the Serializer. |
| 0 | RESERVED | - | 0 | Reserved. |

7.6.6.25 SlaveID[1] Register

RX port specific register. The FPD-Link III Port Select register 0x4C configures which unique Rx port registers can be accessed by I2C read and write commands.

Table 111. SlaveID[1] Register (Address 0x5E)

| BIT | FIELD | TYPE | DEFAULT | DESCRIPTION |
|-----|-----------|------|---------|--|
| 7:1 | SLAVE_ID1 | R/W | 0x0 | 7-bit Remote Slave Device ID 1 Configures the physical I2C address of the remote I2C Slave device attached to the remote Serializer. If an I2C transaction is addressed to the Slave Alias ID1, the transaction is remapped to this address before passing the transaction across the Bi-directional Control Channel to the Serializer. |
| 0 | RESERVED | - | 0 | Reserved. |

7.6.6.26 SlaveID[2] Register

RX port specific register. The FPD-Link III Port Select register 0x4C configures which unique Rx port registers can be accessed by I2C read and write commands.

Table 112. SlaveID[2] Register (Address 0x5F)

| BIT | FIELD | TYPE | DEFAULT | DESCRIPTION |
|-----|-----------|------|---------|--|
| 7:1 | SLAVE_ID2 | R/W | 0x0 | 7-bit Remote Slave Device ID 2 Configures the physical I2C address of the remote I2C Slave device attached to the remote Serializer. If an I2C transaction is addressed to the Slave Alias ID2, the transaction is remapped to this address before passing the transaction across the Bi-directional Control Channel to the Serializer. |
| 0 | RESERVED | - | 0 | Reserved. |

7.6.6.27 SlaveID[3] Register

RX port specific register. The FPD-Link III Port Select register 0x4C configures which unique Rx port registers can be accessed by I2C read and write commands.

Table 113. SlaveID[3] Register (Address 0x60)

| BIT | FIELD | TYPE | DEFAULT | DESCRIPTION |
|-----|-----------|------|---------|--|
| 7:1 | SLAVE_ID3 | R/W | 0x0 | 7-bit Remote Slave Device ID 3 Configures the physical I2C address of the remote I2C Slave device attached to the remote Serializer. If an I2C transaction is addressed to the Slave Alias ID3, the transaction is remapped to this address before passing the transaction across the Bi-directional Control Channel to the Serializer. |
| 0 | RESERVED | - | 0 | Reserved. |

7.6.6.28 SlaveID[4] Register

RX port specific register. The FPD-Link III Port Select register 0x4C configures which unique Rx port registers can be accessed by I2C read and write commands.

Table 114. SlaveID[4] Register (Address 0x061)

| BIT | FIELD | TYPE | DEFAULT | DESCRIPTION |
|-----|-----------|------|---------|--|
| 7:1 | SLAVE_ID4 | R/W | 0x0 | 7-bit Remote Slave Device ID 4 Configures the physical I2C address of the remote I2C Slave device attached to the remote Serializer. If an I2C transaction is addressed to the Slave Alias ID4, the transaction is remapped to this address before passing the transaction across the Bi-directional Control Channel to the Serializer. |
| 0 | RESERVED | - | 0 | Reserved. |

7.6.6.29 SlaveID[5] Register

RX port specific register. The FPD-Link III Port Select register 0x4C configures which unique Rx port registers can be accessed by I2C read and write commands.

Table 115. SlaveID[5] Register (Address 0x62)

| BIT | FIELD | TYPE | DEFAULT | DESCRIPTION |
|-----|-----------|------|---------|--|
| 7:1 | SLAVE_ID5 | R/W | 0x0 | 7-bit Remote Slave Device ID 5 Configures the physical I2C address of the remote I2C Slave device attached to the remote Serializer. If an I2C transaction is addressed to the Slave Alias ID5, the transaction is remapped to this address before passing the transaction across the Bi-directional Control Channel to the Serializer. |
| 0 | RESERVED | - | 0 | Reserved. |

7.6.6.30 SlaveID[6] Register

RX port specific register. The FPD-Link III Port Select register 0x4C configures which unique Rx port registers can be accessed by I2C read and write commands.

Table 116. SlaveID[6] Register (Address 0x63)

| BIT | FIELD | TYPE | DEFAULT | DESCRIPTION |
|-----|-----------|------|---------|--|
| 7:1 | SLAVE_ID6 | R/W | 0x0 | 7-bit Remote Slave Device ID 6 Configures the physical I2C address of the remote I2C Slave device attached to the remote Serializer. If an I2C transaction is addressed to the Slave Alias ID6, the transaction is remapped to this address before passing the transaction across the Bi-directional Control Channel to the Serializer. |
| 0 | RESERVED | - | 0 | Reserved. |

7.6.6.31 SlaveID[7] Register

RX port specific register. The FPD-Link III Port Select register 0x4C configures which unique Rx port registers can be accessed by I2C read and write commands.

Table 117. SlaveID[7] Register (Address 0x64)

| BIT | FIELD | TYPE | DEFAULT | DESCRIPTION |
|-----|-----------|------|---------|--|
| 7:1 | SLAVE_ID7 | R/W | 0x0 | 7-bit Remote Slave Device ID 7 Configures the physical I2C address of the remote I2C Slave device attached to the remote Serializer. If an I2C transaction is addressed to the Slave Alias ID7, the transaction is remapped to this address before passing the transaction across the Bi-directional Control Channel to the Serializer. |
| 0 | RESERVED | - | 0 | Reserved. |

7.6.6.32 SlaveAlias[0] Register

RX port specific register. The FPD-Link III Port Select register 0x4C configures which unique Rx port registers can be accessed by I2C read and write commands.

Table 118. SlaveAlias[0] Register (Address 0x65)

| BIT | FIELD | TYPE | DEFAULT | DESCRIPTION |
|-----|------------------|------|---------|---|
| 7:1 | SLAVE_ALIAS_ID0 | R/W | 0x0 | 7-bit Remote Slave Device Alias ID 0 Configures the decoder for detecting transactions designated for an I2C Slave device attached to the remote Serializer. The transaction is remapped to the address specified in the Slave ID0 register. A value of 0 in this field disables access to the remote I2C Slave. |
| 0 | SLAVE_AUTO_ACK_0 | R/W | 0 | Automatically Acknowledge all I2C writes to the remote Slave 0 independent of the forward channel lock state or status of the remote Serializer Acknowledge1: Enable0: Disable |

7.6.6.33 SlaveAlias[1] Register

RX port specific register. The FPD-Link III Port Select register 0x4C configures which unique Rx port registers can be accessed by I2C read and write commands.

Table 119. SlaveAlias[1] Register (Address 0x66)

| BIT | FIELD | TYPE | DEFAULT | DESCRIPTION |
|-----|------------------|------|---------|---|
| 7:1 | SLAVE_ALIAS_ID1 | R/W | 0x0 | 7-bit Remote Slave Device Alias ID 1 Configures the decoder for detecting transactions designated for an I2C Slave device attached to the remote Serializer. The transaction is remapped to the address specified in the Slave ID1 register. A value of 0 in this field disables access to the remote I2C Slave. |
| 0 | SLAVE_AUTO_ACK_1 | R/W | 0 | Automatically Acknowledge all I2C writes to the remote Slave 1 independent of the forward channel lock state or status of the remote Serializer Acknowledge1: Enable0: Disable |

7.6.6.34 SlaveAlias[2] Register

RX port specific register. The FPD-Link III Port Select register 0x4C configures which unique Rx port registers can be accessed by I2C read and write commands.

Table 120. SlaveAlias[2] Register (Address 0x67)

| BIT | FIELD | TYPE | DEFAULT | DESCRIPTION |
|-----|------------------|------|---------|---|
| 7:1 | SLAVE_ALIAS_ID2 | R/W | 0x0 | 7-bit Remote Slave Device Alias ID 2 Configures the decoder for detecting transactions designated for an I2C Slave device attached to the remote Serializer. The transaction is remapped to the address specified in the Slave ID2 register. A value of 0 in this field disables access to the remote I2C Slave. |
| 0 | SLAVE_AUTO_ACK_2 | R/W | 0 | Automatically Acknowledge all I2C writes to the remote Slave 2 independent of the forward channel lock state or status of the remote Serializer Acknowledge 1: Enable 0: Disable |

7.6.6.35 SlaveAlias[3] Register

RX port specific register. The FPD-Link III Port Select register 0x4C configures which unique Rx port registers can be accessed by I2C read and write commands.

Table 121. SlaveAlias[3] Register (Address 0x68)

| BIT | FIELD | TYPE | DEFAULT | DESCRIPTION |
|-----|------------------|------|---------|---|
| 7:1 | SLAVE_ALIAS_ID3 | R/W | 0x0 | 7-bit Remote Slave Device Alias ID 3 Configures the decoder for detecting transactions designated for an I2C Slave device attached to the remote Serializer. The transaction is remapped to the address specified in the Slave ID3 register. A value of 0 in this field disables access to the remote I2C Slave. |
| 0 | SLAVE_AUTO_ACK_3 | R/W | 0 | Automatically Acknowledge all I2C writes to the remote Slave 3 independent of the forward channel lock state or status of the remote Serializer Acknowledge 1: Enable 0: Disable |

7.6.6.36 SlaveAlias[4] Register

RX port specific register. The FPD-Link III Port Select register 0x4C configures which unique Rx port registers can be accessed by I2C read and write commands.

Table 122. SlaveAlias[4] Register (Address 0x69)

| BIT | FIELD | TYPE | DEFAULT | DESCRIPTION |
|-----|------------------|------|---------|---|
| 7:1 | SLAVE_ALIAS_ID4 | R/W | 0x0 | 7-bit Remote Slave Device Alias ID 4 Configures the decoder for detecting transactions designated for an I2C Slave device attached to the remote Serializer. The transaction is remapped to the address specified in the Slave ID4 register. A value of 0 in this field disables access to the remote I2C Slave. |
| 0 | SLAVE_AUTO_ACK_4 | R/W | 0 | Automatically Acknowledge all I2C writes to the remote Slave 4 independent of the forward channel lock state or status of the remote Serializer Acknowledge 1: Enable 0: Disable |

7.6.6.37 SlaveAlias[5] Register

RX port specific register. The FPD-Link III Port Select register 0x4C configures which unique Rx port registers can be accessed by I2C read and write commands.

Table 123. SlaveAlias[5] Register (Address 0x6A)

| BIT | FIELD | TYPE | DEFAULT | DESCRIPTION |
|-----|------------------|------|---------|---|
| 7:1 | SLAVE_ALIAS_ID5 | R/W | 0x0 | 7-bit Remote Slave Device Alias ID 5 Configures the decoder for detecting transactions designated for an I2C Slave device attached to the remote Serializer. The transaction is remapped to the address specified in the Slave ID5 register. A value of 0 in this field disables access to the remote I2C Slave. |
| 0 | SLAVE_AUTO_ACK_5 | R/W | 0 | Automatically Acknowledge all I2C writes to the remote Slave 5 independent of the forward channel lock state or status of the remote Serializer Acknowledge 1: Enable 0: Disable |

7.6.6.38 SlaveAlias[6] Register

RX port specific register. The FPD-Link III Port Select register 0x4C configures which unique Rx port registers can be accessed by I2C read and write commands.

Table 124. SlaveAlias[6] Register (Address 0x6B)

| BIT | FIELD | TYPE | DEFAULT | DESCRIPTION |
|-----|------------------|------|---------|---|
| 7:1 | SLAVE_ALIAS_ID6 | R/W | 0x0 | 7-bit Remote Slave Device Alias ID 6 Configures the decoder for detecting transactions designated for an I2C Slave device attached to the remote Serializer. The transaction is remapped to the address specified in the Slave ID6 register. A value of 0 in this field disables access to the remote I2C Slave. |
| 0 | SLAVE_AUTO_ACK_6 | R/W | 0 | Automatically Acknowledge all I2C writes to the remote Slave 6 independent of the forward channel lock state or status of the remote Serializer Acknowledge 1: Enable 0: Disable |

7.6.6.39 SlaveAlias[7] Register

RX port specific register. The FPD-Link III Port Select register 0x4C configures which unique Rx port registers can be accessed by I2C read and write commands.

Table 125. SlaveAlias[7] Register (Address 0x6C)

| BIT | FIELD | TYPE | DEFAULT | DESCRIPTION |
|-----|------------------|------|---------|---|
| 7:1 | SLAVE_ALIAS_ID7 | R/W | 0x0 | 7-bit Remote Slave Device Alias ID 7 Configures the decoder for detecting transactions designated for an I2C Slave device attached to the remote Serializer. The transaction is remapped to the address specified in the Slave ID7 register. A value of 0 in this field disables access to the remote I2C Slave. |
| 0 | SLAVE_AUTO_ACK_7 | R/W | 0 | Automatically Acknowledge all I2C writes to the remote Slave 7 independent of the forward channel lock state or status of the remote Serializer Acknowledge 1: Enable 0: Disable |

7.6.6.40 PORT_CONFIG Register

RX port specific register. The FPD-Link III Port Select register 0x4C configures which unique Rx port registers can be accessed by I2C read and write commands.

Table 126. PORT_CONFIG Register (Address 0x6D)

| BIT | FIELD | TYPE | DEFAULT | DESCRIPTION |
|-----|---------------------------------------|-------|---------|---|
| 7 | CSI_WAIT_FS1 | R/W | 0 | CSI-2 Wait for FrameStart packet with count 1 The CSI-2 Receiver will wait for a Frame Start packet with count of 1 before accepting other packets This bit has no effect in RAW FPD3 input modes. |
| 6 | CSI_WAIT_FS | R/W | 1 | CSI-2 Wait for FrameStart packet CSI2 Receiver will wait for a Frame Start packet before accepting other packets This bit has no effect in RAW FPD3 input modes. |
| 5 | CSI_FWD_CKSUM | R/W | 1 | Forward CSI-2 packets with checksum errors 0: Do not forward errored packets 1: Forward errored packets This bit has no effect in RAW FPD3 input modes. |
| 4 | CSI_FWD_ECC | R/W | 1 | Forward CSI-2 packets with ECC errors 0: Do not forward errored packets 1: Forward errored packets |
| 3 | DISCARD_1ST_LINE_ON_ERR / CSI_FWD_LEN | R/W | 1 | In RAW Mode, Discard first video line if FV to LV setup time is not met. 0 : Forward truncated 1st video line 1 : Discard truncated 1st video line In FPD3 CSI-2 Mode, Forward CSI-2 packets with length errors 0: Do not forward errored packets 1: Forward errored packets |
| 2 | RESERVED | R/W/S | Strap | Reserved. |
| 1:0 | FPD3_MODE | R/W/S | Strap | FPD3 Input Mode 00: CSI-2 Mode (DS90UB953-Q1 compatible) 01: RAW12 Low Frequency Mode (DS90UB913A-Q1 / DS90UB933-Q1 compatible) 10: RAW12 High Frequency Mode (DS90UB913A-Q1 / DS90UB933-Q1 compatible) 11: RAW10 Mode (DS90UB913A-Q1 / DS90UB933-Q1 compatible) |

7.6.6.41 BC_GPIO_CTL0 Register

RX port specific register. The FPD-Link III Port Select register 0x4C configures which unique Rx port registers can be accessed by I2C read and write commands.

Table 127. BC_GPIO_CTL0 Register (Address 0x6E)

| BIT | FIELD | TYPE | DEFAULT | DESCRIPTION |
|-----|--------------|------|---------|--|
| 7:4 | BC_GPIO1_SEL | R/W | 0x8 | Back channel GPIO1 Select: Determines the data sent on GPIO1 for the port back channel. 0xxx : Pin GPIOx where x is BC_GPIO1_SEL[2:0] 1000 : Constant value of 0 1001 : Constant value of 1 1010 : FrameSync signal 1011 - 1111 : Reserved |
| 3:0 | BC_GPIO0_SEL | R/W | 0x8 | Back channel GPIO0 Select: Determines the data sent on GPIO0 for the port back channel. 0xxx : Pin GPIOx where x is BC_GPIO0_SEL[2:0] 1000 : Constant value of 0 1001 : Constant value of 1 1010 : FrameSync signal 1011 - 1111 : Reserved |

7.6.6.42 BC_GPIO_CTL1 Register

RX port specific register. The FPD-Link III Port Select register 0x4C configures which unique Rx port registers can be accessed by I2C read and write commands.

Table 128. BC_GPIO_CTL1 Register (Address 0x6F)

| BIT | FIELD | TYPE | DEFAULT | DESCRIPTION |
|-----|--------------|------|---------|--|
| 7:4 | BC_GPIO3_SEL | R/W | 0x8 | Back channel GPIO3 Select: Determines the data sent on GPIO3 for the port back channel. 0xxx : Pin GPIOx where x is BC_GPIO3_SEL[2:0] 1000 : Constant value of 0 1001 : Constant value of 1 1010 : FrameSync signal 1011 - 1111 : Reserved |
| 3:0 | BC_GPIO2_SEL | R/W | 0x8 | Back channel GPIO2 Select: Determines the data sent on GPIO2 for the port back channel. 0xxx : Pin GPIOx where x is BC_GPIO2_SEL[2:0] 1000 : Constant value of 0 1001 : Constant value of 1 1010 : FrameSync signal 1011 - 1111 : Reserved |

7.6.6.43 RAW10_ID Register

RX port specific register. The FPD-Link III Port Select register 0x4C configures which unique Rx port registers can be accessed by I2C read and write commands.

RAW10 virtual channel mapping only applies when FPD-Link III is operating in RAW10 input mode. See register 0x71 for RAW12 and register 0x72 for CSI-2 mode operation.

Table 129. RAW10_ID Register (Address 0x70)

| BIT | FIELD | TYPE | DEFAULT | DESCRIPTION |
|-----|----------|------|-------------|---|
| 7:6 | RAW10_VC | R/W | <RX Port #> | RAW10 Mode Virtual Channel This field configures the CSI-2 Virtual Channel assigned to the port when receiving RAW10 data. The field value defaults to the FPD-Link III receive port number (0, 1, 2, or 3) |
| 5:0 | RAW10_DT | R/W | 0x2B | RAW10 DT This field configures the CSI-2 data type used in RAW10 mode. The default of 0x2B matches the CSI-2 specification. |

7.6.6.44 RAW12_ID Register

RX port specific register. The FPD-Link III Port Select register 0x4C configures which unique Rx port registers can be accessed by I2C read and write commands.

RAW12 virtual channel mapping only applies when FPD-Link III is operating in RAW12 input mode. See register 0x70 for RAW10 and register 0x72 for CSI-2 mode operation.

Table 130. RAW12_ID Register (Address 0x71)

| BIT | FIELD | TYPE | DEFAULT | DESCRIPTION |
|-----|----------|------|-------------|---|
| 7:6 | RAW12_VC | R/W | <RX Port #> | RAW12 Mode Virtual Channel This field configures the CSI-2 Virtual Channel assigned to the port when receiving RAW12 data. The field value defaults to the FPD-Link III receive port number (0, 1, 2, or 3) |
| 5:0 | RAW12_DT | R/W | 0x2C | RAW12 DT This field configures the CSI-2 data type used in RAW12 mode. The default of 0x2C matches the CSI-2 specification. |

7.6.6.45 CSI_VC_MAP Register

RX port specific register. The FPD-Link III Port Select register 0x4C configures which unique Rx port registers can be accessed by I2C read and write commands.

CSI-2 virtual channel mapping only applies when FPD-Link III operating in CSI-2 input mode. See registers 0x70 and 0x71 for RAW mode operation.

Table 131. CSI_VC_MAP Register (Address 0x72)

| BIT | FIELD | TYPE | DEFAULT | DESCRIPTION |
|-----|------------|------|---------|--|
| 7:0 | CSI_VC_MAP | R/W | 0xE4 | CSI-2 Virtual Channel Mapping Register This register provides a method for replacing the Virtual Channel Identifier (VC-ID) of incoming CSI-2 packets. [7:6] : Map value for VC-ID of 3 [5:4] : Map value for VC-ID of 2 [3:2] : Map value for VC-ID of 1 [1:0] : Map value for VC-ID of 0 |

7.6.6.46 LINE_COUNT_1 Register

RX port specific register. The FPD-Link III Port Select register 0x4C configures which unique Rx port registers can be accessed by I2C read and write commands.

Table 132. LINE_COUNT_1 Register (Address 0x73)

| BIT | FIELD | TYPE | DEFAULT | DESCRIPTION |
|-----|---------------|------|---------|---|
| 7:0 | LINE_COUNT_HI | R | 0x0 | High byte of Line Count The Line Count reports the line count for the most recent video frame. When interrupts are enabled for the Line Count (via the IE_LINE_CNT_CHG register bit), the Line Count value is frozen until read. |

7.6.6.47 LINE_COUNT_0 Register

RX port specific register. The FPD-Link III Port Select register 0x4C configures which unique Rx port registers can be accessed by I2C read and write commands.

Table 133. LINE_COUNT_0 Register (Address 0x74)

| BIT | FIELD | TYPE | DEFAULT | DESCRIPTION |
|-----|---------------|------|---------|--|
| 7:0 | LINE_COUNT_LO | R | 0x0 | Low byte of Line Count The Line Count reports the line count for the most recent video frame. When interrupts are enabled for the Line Count (via the IE_LINE_CNT_CHG register bit), the Line Count value is frozen until read. In addition, when reading the LINE_COUNT registers, the LINE_COUNT_LO is latched upon reading LINE_COUNT_HI to ensure consistency between the two portions of the Line Count. |

7.6.6.48 LINE_LEN_1 Register

RX port specific register. The FPD-Link III Port Select register 0x4C configures which unique Rx port registers can be accessed by I2C read and write commands.

Table 134. LINE_LEN_1 Register (Address 0x75)

| BIT | FIELD | TYPE | DEFAULT | DESCRIPTION |
|-----|-------------|------|---------|---|
| 7:0 | LINE_LEN_HI | R | 0 | High byte of Line Length The Line Length reports the line length recorded during the most recent video frame. If line length is not stable during the frame, this register will report the length of the last line in the video frame. When interrupts are enabled for the Line Length (via the IE_LINE_LEN_CHG register bit), the Line Length value is frozen until read. |

7.6.6.49 LINE_LEN_0 Register

RX port specific register. The FPD-Link III Port Select register 0x4C configures which unique Rx port registers can be accessed by I2C read and write commands.

Table 135. LINE_LEN_0 Register (Address 0x76)

| BIT | FIELD | TYPE | DEFAULT | DESCRIPTION |
|-----|-------------|------|---------|---|
| 7:0 | LINE_LEN_LO | R | 0 | Low byte of Line Length The Line Length reports the length of the most recent video line. When interrupts are enabled for the Line Length (via the IE_LINE_LEN_CHG register bit), the Line Length value is frozen until read. In addition, when reading the LINE_LEN registers, the LINE_LEN_LO is latched upon reading LINE_LEN_HI to ensure consistency between the two portions of the Line Length. |

7.6.6.50 FREQ_DET_CTL Register

RX port specific register. The FPD-Link III Port Select register 0x4C configures which unique Rx port registers can be accessed by I2C read and write commands.

Table 136. FREQ_DET_CTL Register (Address 0x77)

| BIT | FIELD | TYPE | DEFAULT | DESCRIPTION |
|-----|-----------|------|---------|--|
| 7:6 | FREQ_HYST | R/W | 0x3 | Frequency Detect Hysteresis The Frequency detect hysteresis setting allows ignoring minor fluctuations in frequency. A new frequency measurement will be captured only if the measured frequency differs from the current measured frequency by more than the FREQ_HYST setting. The FREQ_HYST setting is in MHz. |

Table 136. FREQ_DET_CTL Register (Address 0x77) (continued)

| BIT | FIELD | TYPE | DEFAULT | DESCRIPTION |
|-----|-----------------|------|---------|--|
| 5:4 | FREQ_STABLE_THR | R/W | 0x0 | Frequency Stable Threshold The Frequency detect circuit can be used to detect a stable clock frequency. The Stability Threshold determines the amount of time required for the clock frequency to stay within the FREQ_HYST range to be considered stable: 00 : 40us 01 : 80us 10 : 320us 11 : 1.28ms |
| 3:0 | FREQ_LO_THR | R/W | 0x5 | Frequency Low Threshold Sets the low threshold for the Clock frequency detect circuit in MHz. If the input clock is below this threshold, the NO_FPD3_CLK status will be set to 1. |

7.6.6.51 MAILBOX_0 Register

RX port specific register. The FPD-Link III Port Select register 0x4C configures which unique Rx port registers can be accessed by I2C read and write commands.

Table 137. MAILBOX_0 Register (Address 0x78)

| BIT | FIELD | TYPE | DEFAULT | DESCRIPTION |
|-----|-----------|------|---------|--|
| 7:0 | MAILBOX_0 | R/W | 0x0 | Mailbox Register This register is an unused read/write register that can be used for any purpose such as passing messages between I2C masters on opposite ends of the link. |

7.6.6.52 MAILBOX_1 Register

RX port specific register. The FPD-Link III Port Select register 0x4C configures which unique Rx port registers can be accessed by I2C read and write commands.

Table 138. MAILBOX_1 Register (Address 0x79)

| BIT | FIELD | TYPE | DEFAULT | DESCRIPTION |
|-----|-----------|------|---------|--|
| 7:0 | MAILBOX_1 | R/W | 0x01 | Mailbox Register This register is an unused read/write register that can be used for any purpose such as passing messages between I2C masters on opposite ends of the link. |

7.6.6.53 CSI_RX_STS Register

RX port specific register. The FPD-Link III Port Select register 0x4C configures which unique Rx port registers can be accessed by I2C read and write commands.

Table 139. CSI_RX_STS Register (Address 0x7A)

| BIT | FIELD | TYPE | DEFAULT | DESCRIPTION |
|-----|------------|------|---------|--|
| 7:4 | RESERVED | - | 0x0 | Reserved |
| 3 | LENGTH_ERR | R/RC | 0 | Packet Length Error detected for received CSI-2 packet If set, this bit indicates a packet length error was detected on at least one CSI-2 packet received from the sensor. Packet length errors occur if the data length field in the packet header does not match the actual data length for the packet. 1: One or more Packet Length errors have been detected 0: No Packet Length errors have been detected This bit is cleared on read. |

Table 139. CSI_RX_STS Register (Address 0x7A) (continued)

| BIT | FIELD | TYPE | DEFAULT | DESCRIPTION |
|-----|-----------|------|---------|---|
| 2 | CKSUM_ERR | R/RC | 0 | Data Checksum Error detected for received CSI-2 packet If set, this bit indicates a data checksum error was detected on at least one CSI-2 packet received from the sensor. Data checksum errors indicate an error was detected in the packet data portion of the CSI-2 packet. 1: One or more Data Checksum errors have been detected 0: No Data Checksum errors have been detected This bit is cleared on read. |
| 1 | ECC2_ERR | R/RC | 0 | 2-bit ECC Error detected for received CSI-2 packet If set, this bit indicates a multi-bit ECC error was detected on at least one CSI-2 packet received from the sensor. Multi-bit errors are not corrected by the device. 1: One or more multi-bit ECC errors have been detected 0: No multi-bit ECC errors have been detected This bit is cleared on read. |
| 0 | ECC1_ERR | R/RC | 0 | 1-bit ECC Error detected for received CSI-2 packet If set, this bit indicates a single-bit ECC error was detected on at least one CSI-2 packet received from the sensor. Single-bit errors are corrected by the device. 1: One or more 1-bit ECC errors have been detected 0: No 1-bit ECC errors have been detected This bit is cleared on read. |

7.6.6.54 CSI_ERR_COUNTER Register

RX port specific register. The FPD-Link III Port Select register 0x4C configures which unique Rx port registers can be accessed by I2C read and write commands.

Table 140. CSI_ERR_COUNTER Register (Address 0x7B)

| BIT | FIELD | TYPE | DEFAULT | DESCRIPTION |
|-----|-------------|------|---------|---|
| 7:0 | CSI_ERR_CNT | R/RC | 0x0 | CSI-2 Error Counter Register This register counts the number of CSI-2 packets received with errors since the last read of the counter. |

7.6.6.55 PORT_CONFIG2 Register

RX port specific register. The FPD-Link III Port Select register 0x4C configures which unique Rx port registers can be accessed by I2C read and write commands.

Table 141. PORT_CONFIG2 Register (Address 0x7C)

| BIT | FIELD | TYPE | DEFAULT | DESCRIPTION |
|-----|-----------------------|------|---------|---|
| 7:6 | RAW10_8BIT_CTL | R/W | 0x0 | Raw10 8-bit mode When Raw10 Mode is enabled for the port, the input data is processed as 8-bit data and packed accordingly for transmission over CSI. 00 : Normal Raw10 Mode 01 : Reserved 10 : 8-bit processing using upper 8 bits 11 : 8-bit processing using lower 8 bits |
| 5 | DISCARD_ON_PAR_ERR | R/W | 1 | Discard frames on Parity Error 0 : Forward packets with parity errors 1 : Truncate Frames if a parity error is detected |
| 4 | DISCARD_ON_LINE_SIZE | R/W | 0 | Discard frames on Line Size 0 : Allow changes in Line Size within packets 1 : Truncate Frames if a change in line size is detected |
| 3 | DISCARD_ON_FRAME_SIZE | R/W | 0 | Discard frames on change in Frame Size When enabled, a change in the number of lines in a frame will result in truncation of the packet. The device will resume forwarding video frames based on the PASS_THRESHOLD setting in the PORT_PASS_CTL register. 0 : Allow changes in Frame Size 1 : Truncate Frames if a change in frame size is detected |

Table 141. PORT_CONFIG2 Register (Address 0x7C) (continued)

| BIT | FIELD | TYPE | DEFAULT | DESCRIPTION |
|-----|---------------|------|---------|---|
| 2 | AUTO_POLARITY | R/W | 0 | Automatic Polarity Detection This register enables automatic polarity detection. When this bit is set, polarity of LineValid and FrameValid will be automatically detected from the incoming data. In this mode, at least one initial frame will be discarded to allow for proper detection of the incoming video. 1 : Automatically detect LV and FV polarity 0 : Use LV_POLARITY and FV_POLARITY register settings to determine polarity |
| 1 | LV_POLARITY | R/W | 0 | LineValid Polarity This register indicates the expected polarity for the LineValid indication received in Raw mode. 1 : LineValid is low for the duration of the video frame 0 : LineValid is high for the duration of the video frame |
| 0 | FV_POLARITY | R/W | 0 | FrameValid Polarity This register indicates the expected polarity for the FrameValid indication received in Raw mode. 1 : FrameValid is low for the duration of the video frame 0 : FrameValid is high for the duration of the video frame |

7.6.6.56 PORT_PASS_CTL Register

RX port specific register. The FPD-Link III Port Select register 0x4C configures which unique Rx port registers can be accessed by I2C read and write commands.

Table 142. PORT_PASS_CTL Register (Address 0x7D)

| BIT | FIELD | TYPE | DEFAULT | DESCRIPTION |
|-----|-----------------|------|---------|---|
| 7 | PASS_DISCARD_EN | R/W | 0 | Pass Discard Enable Discard packets if PASS is not indicated. 0 : Ignore PASS for forwarding packets 1 : Discard packets when PASS is not true |
| 6 | PASS_CLEAR_CNT | R/W | 0 | Pass Clear Count Control This bit controls the values read back from the LINE_COUNT_1, LINE_COUNT_0, LINE_LEN_1, and LINE_LEN_0 registers. 0: Registers read back the counter values regardless of the state of the PASS flag 1: Registers read back zero when the PASS flag is de-asserted and the counter values when PASS is asserted |
| 5 | PASS_LINE_CNT | R/W | 0 | Pass Line Count Control This register controls whether the device will include line count in qualification of the Pass indication: 0 : Don't check line count 1 : Check line count When checking line count, Pass is deasserted upon detection of a change in the number of video lines per frame. Pass will not be reasserted until the PASS_THRESHOLD setting is met. |
| 4 | PASS_LINE_SIZE | R/W | 0 | Pass Line Size Control This register controls whether the device will include line size in qualification of the Pass indication: 0 : Don't check line size 1 : Check line size When checking line size, Pass is deasserted upon detection of a change in video line size. Pass will not be reasserted until the PASS_THRESHOLD setting is met. |
| 3 | PASS_PARITY_ERR | R/W | 0 | Parity Error Mode If this bit is set to 0, the port Pass indication is deasserted for every parity error detected on the FPD3 Receive interface. If this bit is set to a 1, the port Pass indication is cleared on a parity error and remain clear until the PASS_THRESHOLD is met. |

Table 142. PORT_PASS_CTL Register (Address 0x7D) (continued)

| BIT | FIELD | TYPE | DEFAULT | DESCRIPTION |
|-----|----------------|------|---------|---|
| 2 | PASS_WDOG_DIS | R/W | 0 | RX Port Pass Watchdog disable When enabled, if the FPD Receiver does not detect a valid frame end condition within two video frame periods, the Pass indication is deasserted. The watchdog timer will not have any effect if the PASS_THRESHOLD is set to 0. 0 : Enable watchdog timer for RX Pass 1 : Disable watchdog timer for RX Pass |
| 1:0 | PASS_THRESHOLD | R/W | 0x0 | Pass Threshold Register This register controls the number of valid frames before asserting the port Pass indication. If set to 0, PASS is asserted after Receiver Lock detect. If non-zero, PASS is asserted following reception of the programmed number of valid frames. |

7.6.6.57 SEN_INT_RISE_CTL Register

RX port specific register. The FPD-Link III Port Select register 0x4C configures which unique Rx port registers can be accessed by I2C read and write commands.

Table 143. SEN_INT_RISE_CTL Register (Address 0x7E)

| BIT | FIELD | TYPE | DEFAULT | DESCRIPTION |
|-----|-------------------|------|---------|--|
| 7:0 | SEN_INT_RISE_MASK | R/W | 0x0 | Sensor Interrupt Rise Mask This register provides the interrupt mask for detecting rising edge transitions on the bits in SENSOR_STS_0. If a mask bit is set in this register, a rising edge transition on the corresponding SENSOR_STS_0 bit will generate an interrupt that will be latched in the SEN_INT_RISE_STS register. |

7.6.6.58 SEN_INT_FALL_CTL Register

RX port specific register. The FPD-Link III Port Select register 0x4C configures which unique Rx port registers can be accessed by I2C read and write commands.

Table 144. SEN_INT_FALL_CTL Register (Address 0x7F)

| BIT | FIELD | TYPE | DEFAULT | DESCRIPTION |
|-----|-------------------|------|---------|--|
| 7:0 | SEN_INT_FALL_MASK | R/W | 0x0 | Sensor Interrupt Fall Mask This register provides the interrupt mask for detecting falling edge transitions on the bits in SENSOR_STS_0. If a mask bit is set in this register, a falling edge transition on the corresponding SENSOR_STS_0 bit will generate an interrupt that will be latched in the SEN_INT_FALL_STS register. |

7.6.7 RESERVED Registers

Table 145. RESERVED (Address 0x80 - 0x8F)

| BIT | FIELD | TYPE | DEFAULT | DESCRIPTION |
|-----|----------|------|---------|-------------|
| 7:0 | RESERVED | - | 0x00 | Reserved |

7.6.8 Digital CSI-2 Debug Registers (Shared)

7.6.8.1 CSIO_FRAME_COUNT_HI Register

Table 146. CSIO_FRAME_COUNT_HI Register (Address 0x90)

| BIT | FIELD | TYPE | DEFAULT | DESCRIPTION |
|-----|---------------------|------|---------|---|
| 7:0 | CSIO_FRAME_COUNT_HI | R/RC | 0x0 | CSI-2 Port 0, Frame Counter MSBs When read, this register returns the value of bits [15:8] of the 16-bit counter csi1_frame_count. The LSBs of the counter are sampled into the CSIO_FRAME_COUNT_LO register and the counter is cleared. |

7.6.8.2 CSIO_FRAME_COUNT_LO Register
Table 147. CSIO_FRAME_COUNT_LO Register (Address 0x91)

| BIT | FIELD | TYPE | DEFAULT | DESCRIPTION |
|-----|---------------------|------|---------|--|
| 7:0 | CSIO_FRAME_COUNT_LO | R | 0x0 | CSI-2 Port 0, Frame Counter LSBs When read, this register returns the value of bits [7:0] of the 16-bit counter csi1_frame_count. The CSIO_FRAME_COUNT_HI register must be read first to snapshot the LSBs of the counter into this register. |

7.6.8.3 CSIO_FRAME_ERR_COUNT_HI Register
Table 148. CSIO_FRAME_ERR_COUNT_HI Register (Address 0x92)

| BIT | FIELD | TYPE | DEFAULT | DESCRIPTION |
|-----|-------------------------|------|---------|---|
| 7:0 | CSIO_FRAME_ERR_COUNT_HI | R/RC | 0x0 | CSI-2 Port 0, Frame Counter with Errors MSBs When read, this register returns the value of bits [15:8] of the 16-bit counter csi1_frame_err_count. The LSBs of the counter are sampled into the CSIO_FRAME_ERR_COUNT_LO register and the counter is cleared. |

7.6.8.4 CSIO_FRAME_ERR_COUNT_LO Register
Table 149. CSIO_FRAME_ERR_COUNT_LO Register (Address 0x93)

| BIT | FIELD | TYPE | DEFAULT | DESCRIPTION |
|-----|-------------------------|------|---------|--|
| 7:0 | CSIO_FRAME_ERR_COUNT_LO | R | 0x0 | CSI-2 Port 0, Frame Counter with Errors LSBs When read, this register returns the value of bits [7:0] of the 16-bit counter csi1_frame_err_count. The CSIO_FRAME_ERR_COUNT_HI register must be read first to snapshot the LSBs of the counter into this register. |

7.6.8.5 CSIO_LINE_COUNT_HI Register
Table 150. CSIO_LINE_COUNT_HI Register (Address 0x94)

| BIT | FIELD | TYPE | DEFAULT | DESCRIPTION |
|-----|--------------------|------|---------|--|
| 7:0 | CSIO_LINE_COUNT_HI | R/RC | 0x0 | CSI-2 Port 0, Line Counter MSBs When read, this register returns the value of bits [15:8] of the 16-bit counter csi1_line_count. The LSBs of the counter are sampled into the CSIO_LINE_COUNT_LO register and the counter is cleared. |

7.6.8.6 CSIO_LINE_COUNT_LO Register
Table 151. CSIO_LINE_COUNT_LO Register (Address 0x95)

| BIT | FIELD | TYPE | DEFAULT | DESCRIPTION |
|-----|--------------------|------|---------|---|
| 7:0 | CSIO_LINE_COUNT_LO | R | 0x0 | CSI-2 Port 0, Line Counter LSBs When read, this register returns the value of bits [7:0] of the 16-bit counter csi1_line_count. The CSIO_LINE_COUNT_HI register must be read first to snapshot the LSBs of the counter into this register. |

7.6.8.7 CSI0_LINE_ERR_COUNT_HI Register

Table 152. CSI0_LINE_ERR_COUNT_HI Register (Address 0x96)

| BIT | FIELD | TYPE | DEFAULT | DESCRIPTION |
|-----|------------------------|------|---------|---|
| 7:0 | CSI0_LINE_ERR_COUNT_HI | R/RC | 0x0 | CSI-2 Port 0, Line Counter with Errors MSBs When read, this register returns the value of bits [15:8] of the 16-bit counter <code>csi1_line_err_count</code> . The LSBs of the counter are sampled into the <code>CSI0_LINE_ERR_COUNT_LO</code> register and the counter is cleared. |

7.6.8.8 CSI0_LINE_ERR_COUNT_LO Register

Table 153. CSI0_LINE_ERR_COUNT_LO Register (Address 0x97)

| BIT | FIELD | TYPE | DEFAULT | DESCRIPTION |
|-----|------------------------|------|---------|--|
| 7:0 | CSI0_LINE_ERR_COUNT_LO | R | 0x0 | CSI-2 Port 0, Line Counter with Errors LSBs When read, this register returns the value of bits [7:0] of the 16-bit counter <code>csi1_line_err_count</code> . The <code>CSI0_LINE_ERR_COUNT_HI</code> register must be read first to snapshot the LSBs of the counter into this register. |

7.6.8.9 CSI1_FRAME_COUNT_HI Register

Table 154. CSI1_FRAME_COUNT_HI Register (Address 0x98)

| BIT | FIELD | TYPE | DEFAULT | DESCRIPTION |
|-----|---------------------|------|---------|--|
| 7:0 | CSI1_FRAME_COUNT_HI | R/RC | 0x0 | CSI-2 Port 1, Frame Counter MSBs When read, this register returns the value of bits [15:8] of the 16-bit counter <code>csi1_frame_count</code> . The LSBs of the counter are sampled into the <code>CSI1_FRAME_COUNT_LO</code> register and the counter is cleared. |

7.6.8.10 CSI1_FRAME_COUNT_LO Register

Table 155. CSI1_FRAME_COUNT_LO Register (Address 0x99)

| BIT | FIELD | TYPE | DEFAULT | DESCRIPTION |
|-----|---------------------|------|---------|---|
| 7:0 | CSI1_FRAME_COUNT_LO | R | 0x0 | CSI-2 Port 1, Frame Counter LSBs When read, this register returns the value of bits [7:0] of the 16-bit counter <code>csi1_frame_count</code> . The <code>CSI1_FRAME_COUNT_HI</code> register must be read first to snapshot the LSBs of the counter into this register. |

7.6.8.11 CSI1_FRAME_ERR_COUNT_HI Register

Table 156. CSI1_FRAME_ERR_COUNT_HI Register (Address 0x9A)

| BIT | FIELD | TYPE | DEFAULT | DESCRIPTION |
|-----|-------------------------|------|---------|--|
| 7:0 | CSI1_FRAME_ERR_COUNT_HI | R/RC | 0x0 | CSI-2 Port 1, Frame Counter with Errors MSBs When read, this register returns the value of bits [15:8] of the 16-bit counter <code>csi1_frame_err_count</code> . The LSBs of the counter are sampled into the <code>CSI1_FRAME_ERR_COUNT_LO</code> register and the counter is cleared. |

7.6.8.12 CS11_FRAME_ERR_COUNT_LO Register
Table 157. CS11_FRAME_ERR_COUNT_LO Register (Address 0x9B)

| BIT | FIELD | TYPE | DEFAULT | DESCRIPTION |
|-----|-------------------------|------|---------|--|
| 7:0 | CS11_FRAME_ERR_COUNT_LO | R | 0x0 | CSI-2 Port 1, Frame Counter with Errors LSBs When read, this register returns the value of bits [7:0] of the 16-bit counter <code>csi1_frame_err_count</code> . The CS11_FRAME_ERR_COUNT_HI register must be read first to snapshot the LSBs of the counter into this register. |

7.6.8.13 CS11_LINE_COUNT_HI Register
Table 158. CS11_LINE_COUNT_HI Register (Address 0x9C)

| BIT | FIELD | TYPE | DEFAULT | DESCRIPTION |
|-----|--------------------|------|---------|--|
| 7:0 | CS11_LINE_COUNT_HI | R/RC | 0x0 | CSI-2 Port 1, Line Counter MSBs When read, this register returns the value of bits [15:8] of the 16-bit counter <code>csi1_line_count</code> . The LSBs of the counter are sampled into the CS11_LINE_COUNT_LO register and the counter is cleared. |

7.6.8.14 CS11_LINE_COUNT_LO Register
Table 159. CS11_LINE_COUNT_LO Register (Address 0x9D)

| BIT | FIELD | TYPE | DEFAULT | DESCRIPTION |
|-----|--------------------|------|---------|---|
| 7:0 | CS11_LINE_COUNT_LO | R | 0x0 | CSI-2 Port 1, Line Counter LSBs When read, this register returns the value of bits [7:0] of the 16-bit counter <code>csi1_line_count</code> . The CS11_LINE_COUNT_HI register must be read first to snapshot the LSBs of the counter into this register. |

7.6.8.15 CS11_LINE_ERR_COUNT_HI Register
Table 160. CS11_LINE_ERR_COUNT_HI Register (Address 0x9E)

| BIT | FIELD | TYPE | DEFAULT | DESCRIPTION |
|-----|------------------------|------|---------|--|
| 7:0 | CS11_LINE_ERR_COUNT_HI | R/RC | 0x0 | CSI-2 Port 1, Line Counter with Errors MSBs When read, this register returns the value of bits [15:8] of the 16-bit counter <code>csi1_line_err_count</code> . The LSBs of the counter are sampled into the CS11_LINE_ERR_COUNT_LO register and the counter is cleared. |

7.6.8.16 CS11_LINE_ERR_COUNT_LO Register
Table 161. CS11_LINE_ERR_COUNT_LO Register (Address 0x9F)

| BIT | FIELD | TYPE | DEFAULT | DESCRIPTION |
|-----|------------------------|------|---------|---|
| 7:0 | CS11_LINE_ERR_COUNT_LO | R | 0x0 | CSI-2 Port 1, Line Counter with Errors LSBs When read, this register returns the value of bits [7:0] of the 16-bit counter <code>csi1_line_err_count</code> . The CS11_LINE_ERR_COUNT_HI register must be read first to snapshot the LSBs of the counter into this register. |

7.6.9 RESERVED (Shared)

7.6.9.1 RESERVED Registers

Table 162. RESERVED Registers (Address 0xA0 - 0xA4)

| BIT | FIELD | TYPE | DEFAULT | DESCRIPTION |
|-----|----------|------|---------|-------------|
| 7:0 | RESERVED | - | 0x0 | Reserved |

7.6.9.2 REFCLK_FREQ Register

Table 163. REFCLK_FREQ Register (Address 0xA5)

| BIT | FIELD | TYPE | DEFAULT | DESCRIPTION |
|-----|-------------|------|---------|--------------------------------------|
| 7:0 | REFCLK_FREQ | R | 0x0 | REFCLK frequency measurement in MHz. |

7.6.9.3 RESERVED Registers

Table 164. RESERVED Registers (Address 0xA6 - 0xAF)

| BIT | FIELD | TYPE | DEFAULT | DESCRIPTION |
|-----|----------|------|---------|-------------|
| 7:0 | RESERVED | - | 0x0 | Reserved |

7.6.10 Indirect Access Registers (Shared)

7.6.10.1 IND_ACC_CTL Register

Table 165. IND_ACC_CTL Register (Address 0xB0)

| BIT | FIELD | TYPE | DEFAULT | DESCRIPTION |
|-----|-------------|------|---------|---|
| 7:6 | RESERVED | - | 0x0 | Reserved |
| 5:2 | IA_SEL | R/W | 0x7 | Indirect Access Register Select: Selects target for register access 0000 : CSI-2 Pattern Generator & Timing Registers 0001 : FPD3 RX Port 0 Reserved Registers 0010 : FPD3 RX Port 1 Reserved Registers 0011 : FPD3 RX Port 2 Reserved Registers 0100 : FPD3 RX Port 3 Reserved Registers 0101 : FPD3 RX Shared Reserved Registers 0110 : Simultaneous write to FPD3 RX Reserved Registers 0111 : CSI-2 Reserved Registers |
| 1 | IA_AUTO_INC | R/W | 0 | Indirect Access Auto Increment: Enables auto-increment mode. Upon completion of a read or write, the register address will automatically be incremented by 1 |
| 0 | IA_READ | R/W | 0 | Indirect Access Read: Setting this allows generation of a read strobe to the selected register block upon setting of the IND_ACC_ADDR register. In auto-increment mode, read strobes will also be asserted following a read of the IND_ACC_DATA register. This function is only required for blocks that need to pre-fetch register data. |

7.6.10.2 IND_ACC_ADDR Register

Table 166. IND_ACC_ADDR Register (Address 0xB1)

| BIT | FIELD | TYPE | DEFAULT | DESCRIPTION |
|-----|---------|------|---------|---|
| 7:0 | IA_ADDR | R/W | 0x3A | Indirect Access Register Offset: This register contains the 8-bit register offset for the indirect access. |

7.6.10.3 IND_ACC_DATA Register
Table 167. IND_ACC_DATA Register (Address 0xB2)

| BIT | FIELD | TYPE | DEFAULT | DESCRIPTION |
|-----|---------|------|---------|---|
| 7:0 | IA_DATA | R/W | 0x14 | Indirect Access Data: Writing this register will cause an indirect write of the IND_ACC_DATA value to the selected analog block register. Reading this register will return the value of the selected block register. The default value may be different from a device to a device. |

7.6.11 Digital Registers (Shared)
7.6.11.1 BIST Control Register
Table 168. BIST Control Register (Address 0xB3)

| BIT | FIELD | TYPE | DEFAULT | DESCRIPTION |
|-----|-------------------|------|---------|--|
| 7:6 | BIST_OUT_MODE | R/W | 0x0 | BIST Output Mode 00 : No toggling 01 : Alternating 1/0 toggling 1x : Toggle based on BIST data |
| 5:4 | RESERVED | - | 0x0 | Reserved |
| 3 | RESERVED | R/W | 1 | Bist Configuration 1: Reserved 0: Bist configured through bits 2:0 in this register |
| 2:1 | BIST_CLOCK_SOURCE | R/W | 0 | BIST Clock Source This register field selects the BIST Clock Source at the Serializer. These register bits are automatically written to the CLOCK SOURCE bits (register offset 0x14) in the Serializer after BIST is enabled. See the appropriate Serializer register descriptions for details. |
| 0 | BIST_EN | R/W | 0 | BIST Control 1: Enabled 0: Disabled |

7.6.11.2 RESERVED Register
Table 169. RESERVED Register (Address 0xB4)

| BIT | FIELD | TYPE | DEFAULT | DESCRIPTION |
|-----|----------|------|---------|-------------|
| 7:0 | RESERVED | - | 0x25 | Reserved |

7.6.11.3 RESERVED Register
Table 170. RESERVED Register (Address 0xB5)

| BIT | FIELD | TYPE | DEFAULT | DESCRIPTION |
|-----|----------|------|---------|-------------|
| 7:0 | RESERVED | - | 0x00 | Reserved |

7.6.11.4 RESERVED Register
Table 171. RESERVED Register (Address 0xB6)

| BIT | FIELD | TYPE | DEFAULT | DESCRIPTION |
|-----|----------|------|---------|-------------|
| 7:0 | RESERVED | - | 0x18 | Reserved |

7.6.11.5 RESERVED Register
Table 172. RESERVED Register (Address 0xB7)

| BIT | FIELD | TYPE | DEFAULT | DESCRIPTION |
|-----|----------|------|---------|-------------|
| 7:0 | RESERVED | - | 0x00 | Reserved |

7.6.11.6 MODE_IDX_STS Register
Table 173. MODE_IDX_STS Register (Address 0xB8)

| BIT | FIELD | TYPE | DEFAULT | DESCRIPTION |
|-----|-----------|------|---------|---|
| 7 | IDX_DONE | R | 1 | IDX Done If set, indicates the IDX decode has completed and latched into the IDX status bits. |
| 6:4 | IDX | R/S | Strap | IDX Decode 3-bit decode from IDX pin |
| 3 | MODE_DONE | R | 1 | MODE Done If set, indicates the MODE decode has completed and latched into the MODE status bits. |
| 2:0 | MODE | R/S | Strap | MODE Decode 3-bit decode from MODE pin |

7.6.11.7 LINK_ERROR_COUNT Register
Table 174. LINK_ERROR_COUNT Register (Address 0xB9)

| BIT | FIELD | TYPE | DEFAULT | DESCRIPTION |
|-----|-------------------|------|---------|--|
| 7:6 | RESERVED | - | 0x0 | Reserved |
| 5 | LINK_SFIL_WAIT | R/W | 1 | During SFILTER adaption, setting this bit will cause the Lock detect circuit to ignore errors during the SFILTER wait period after the SFILTER control is updated. 1: Errors during SFILTER Wait period will be ignored 0: Errors during SFILTER Wait period will not be ignored and may cause loss of Lock |
| 4 | LINK_ERR_COUNT_EN | R/W | 1 | Enable serial link data integrity error count 1: Enable error count 0: DISABLE |
| 3:0 | LINK_ERR_THRESH | R/W | 0x3 | Link error count threshold. The Link Error Counter monitors the forward channel link and determines when link will be dropped. The link error counter is pixel clock based. clk0, clk1, parity, and DCA are monitored for link errors. If the error counter is enabled, the deserializer will lose lock once the error counter reaches the LINK_ERR_THRESH value. If the link error counter is disabled, the deserializer will lose lock after one error. |

7.6.11.8 FPD3_ENC_CTL Register

Recommended to set bit seven in the FPD-Link III encoder control register to 0 in order to prevent any updates of link information values from encoded packets that do not pass CRC check. The FPD-Link III Encoder CRC flag must also be in place by setting FPD3_ENC_CRC_DIS (register 0x4A[4]) to 1.

Table 175. FPD3_ENC_CTL (Address 0xBA)

| BIT | FIELD | TYPE | DEFAULT | DESCRIPTION |
|-----|----------|------|---------|---|
| 7 | RESERVED | R/W | 1 | 0: Enable FPD-Link III encoder CRC (recommended) 1: Disable FPD-Link III encoder CRC |
| 6:0 | RESERVED | - | 0x03 | Reserved |

7.6.11.9 RESERVED Register
Table 176. RESERVED Register (Address 0xBB)

| BIT | FIELD | TYPE | DEFAULT | DESCRIPTION |
|-----|----------|------|---------|-------------|
| 7:0 | RESERVED | - | 0x74 | Reserved |

7.6.11.10 FV_MIN_TIME Register
Table 177. FV_MIN_TIME Register (Address 0xBC)

| BIT | FIELD | TYPE | DEFAULT | DESCRIPTION |
|-----|-----------------|------|---------|--|
| 7:0 | FRAME_VALID_MIN | R/W | 0x80 | Frame Valid Minimum Time This register controls the minimum time the FrameValid (FV) should be active before the Raw mode FPD3 receiver generates a FrameStart packet. Duration is in FPD3 clock periods. |

7.6.11.11 RESERVED Register
Table 178. RESERVED Register (Address 0xBD)

| BIT | FIELD | TYPE | DEFAULT | DESCRIPTION |
|-----|----------|------|---------|-------------|
| 7:0 | RESERVED | - | 0x00 | Reserved |

7.6.11.12 GPIO_PD_CTL Register
Table 179. GPIO_PD_CTL Register (Address 0xBE)

| BIT | FIELD | TYPE | DEFAULT | DESCRIPTION |
|-----|--------------|------|---------|--|
| 7 | GPIO7_PD_DIS | R/W | 0 | GPIO7 Pull-down Resistor Disable: The GPIO pins by default include a pulldown resistor (25-kΩ typ) that is automatically enabled when the GPIO is not in an output mode. When this bit is set, the pulldown resistor will also be disabled when the GPIO pin is in an input only mode. 1 : Disable GPIO pull-down resistor 0 : Enable GPIO pull-down resistor |
| 6 | GPIO6_PD_DIS | R/W | 0 | GPIO6 Pull-down Resistor Disable: The GPIO pins by default include a pulldown resistor (25-kΩ typ) that is automatically enabled when the GPIO is not in an output mode. When this bit is set, the pulldown resistor will also be disabled when the GPIO pin is in an input only mode. 1 : Disable GPIO pull-down resistor 0 : Enable GPIO pull-down resistor |
| 5 | GPIO5_PD_DIS | R/W | 0 | GPIO5 Pull-down Resistor Disable: The GPIO pins by default include a pulldown resistor (25-kΩ typ) that is automatically enabled when the GPIO is not in an output mode. When this bit is set, the pulldown resistor will also be disabled when the GPIO pin is in an input only mode. 1 : Disable GPIO pull-down resistor 0 : Enable GPIO pull-down resistor |
| 4 | GPIO4_PD_DIS | R/W | 0 | GPIO4 Pull-down Resistor Disable: The GPIO pins by default include a pulldown resistor (25-kΩ typ) that is automatically enabled when the GPIO is not in an output mode. When this bit is set, the pulldown resistor will also be disabled when the GPIO pin is in an input only mode. 1 : Disable GPIO pull-down resistor 0 : Enable GPIO pull-down resistor |

Table 179. GPIO_PD_CTL Register (Address 0xBE) (continued)

| BIT | FIELD | TYPE | DEFAULT | DESCRIPTION |
|-----|--------------|------|---------|--|
| 3 | GPIO3_PD_DIS | R/W | 0 | GPIO3 Pull-down Resistor Disable: The GPIO pins by default include a pulldown resistor (25-kΩ typ) that is automatically enabled when the GPIO is not in an output mode. When this bit is set, the pulldown resistor will also be disabled when the GPIO pin is in an input only mode. 1 : Disable GPIO pull-down resistor 0 : Enable GPIO pull-down resistor |
| 2 | GPIO2_PD_DIS | R/W | 0 | GPIO2 Pull-down Resistor Disable: The GPIO pins by default include a pulldown resistor (25-kΩ typ) that is automatically enabled when the GPIO is not in an output mode. When this bit is set, the pulldown resistor will also be disabled when the GPIO pin is in an input only mode. 1 : Disable GPIO pull-down resistor 0 : Enable GPIO pull-down resistor |
| 1 | GPIO1_PD_DIS | R/W | 0 | GPIO1 Pull-down Resistor Disable: The GPIO pins by default include a pulldown resistor (25-kΩ typ) that is automatically enabled when the GPIO is not in an output mode. When this bit is set, the pulldown resistor will also be disabled when the GPIO pin is in an input only mode. 1 : Disable GPIO pull-down resistor 0 : Enable GPIO pull-down resistor |
| 0 | GPIO0_PD_DIS | R/W | 0 | GPIO0 Pull-down Resistor Disable: The GPIO pins by default include a pulldown resistor (25-kΩ typ) that is automatically enabled when the GPIO is not in an output mode. When this bit is set, the pulldown resistor will also be disabled when the GPIO pin is in an input only mode. 1 : Disable GPIO pull-down resistor 0 : Enable GPIO pull-down resistor |

7.6.11.13 RESERVED Register

Table 180. RESERVED (Address 0xBF)

| BIT | FIELD | TYPE | DEFAULT | DESCRIPTION |
|-----|----------|------|---------|-------------|
| 7:0 | RESERVED | - | 0x00 | Reserved |

7.6.12 RESERVED Registers

Table 181. RESERVED (Address 0xC0 - 0xCF)

| BIT | FIELD | TYPE | DEFAULT | DESCRIPTION |
|-----|----------|------|---------|-------------|
| 7:0 | RESERVED | - | 0x00 | Reserved |

7.6.13 Digital RX Port Debug Registers (Paged)

Use FPD3_PORT_SEL (0x4C) register to select digital RX Port 0, RX Port1, RX Port 2, or RX Port 3 debug registers.

- FPD3 RX Port 0:
 - Read: 0x4C[5:4] = 00
 - Write: 0x4C[0] = 1
- FPD3 RX Port 1:
 - Read: 0x4C[5:4] = 01
 - Write: 0x4C[1] = 1
- FPD3 RX Port 2:
 - Read: 0x4C[5:4] = 10
 - Write: 0x4C[2] = 1
- FPD3 RX Port 3:
 - Read: 0x4C[5:4] = 11

– Write: 0x4C[3] = 1

7.6.13.1 PORT_DEBUG Register

RX port specific register. The FPD-Link III Port Select register 0x4C configures which unique Rx port registers can be accessed by I2C read and write commands.

Table 182. PORT_DEBUG Register (Address 0xD0)

| BIT | FIELD | TYPE | DEFAULT | DESCRIPTION |
|-----|------------------|--------|---------|--|
| 7 | RESERVED | - | 0 | Reserved |
| 6 | RESERVED | - | 0 | Reserved |
| 5 | SER_BIST_ACT | R | 0 | Serializer BIST active This register indicates the Serializer is in BIST mode. If the Deserializer is not in BIST mode, this could indicate an error condition. |
| 4:2 | RESERVED | - | 0x0 | Reserved |
| 1 | FORCE_BC_ERRORS | R/W | 0 | This bit introduces continuous errors into Back channel frame. |
| 0 | FORCE_1_BC_ERROR | R/W/SC | 0 | This bit introduces one error into Back channel frame. Self clearing bit. |

7.6.13.2 RESERVED Register

Table 183. RESERVED Register (Address 0xD1)

| BIT | FIELD | TYPE | DEFAULT | DESCRIPTION |
|-----|----------|------|---------|-------------|
| 7:0 | RESERVED | - | 0x43 | Reserved |

7.6.13.3 AEQ_CTL2 Register

RX port specific register. The FPD-Link III Port Select register 0x4C configures which unique Rx port registers can be accessed by I2C read and write commands.

Table 184. AEQ_CTL2 Register (Address 0xD2)

| BIT | FIELD | TYPE | DEFAULT | DESCRIPTION |
|-----|-------------------------|--------|---------|---|
| 7:5 | ADAPTIVE_EQ_RELOCK_TIME | R/W | 0x4 | Time to wait for lock before incrementing the EQ to next setting 000 : 164 us 001 : 328 us 010 : 655 us 011 : 1.31 ms 100 : 2.62 ms 101 : 5.24 ms 110 : 10.5ms 111 : 21.0 ms |
| 4 | AEQ_1ST_LOCK_MODE | R/W | 1 | AEQ First Lock Mode This register bit controls the Adaptive Equalizer algorithm operation at initial Receiver Lock. 0 : Initial AEQ lock may occur at any value 1 : Initial Receiver lock will restart AEQ at 0, providing a more deterministic initial AEQ value |
| 3 | AEQ_RESTART | R/W/SC | 0 | Set high to restart AEQ adaptation from initial value. This bit is self clearing. Adaption is restarted. |
| 2 | SET_AEQ_FLOOR | R/W | 1 | AEQ adaptation starts from a pre-set floor value rather than from zero - good in long cable situations |
| 1:0 | RESERVED | - | 0x0 | Reserved |

7.6.13.4 AEQ_STATUS Register

RX port specific register. The FPD-Link III Port Select register 0x4C configures which unique Rx port registers can be accessed by I2C read and write commands.

Table 185. AEQ_STATUS Register (Address 0xD3)

| BIT | FIELD | TYPE | DEFAULT | DESCRIPTION |
|-----|-------------|------|---------|----------------------|
| 7:6 | RESERVED | - | 0x0 | Reserved |
| 5:3 | EQ_STATUS_2 | R | 0x0 | Adaptive EQ Status 2 |
| 2:0 | EQ_STATUS_1 | R | 0x0 | Adaptive EQ Status 1 |

7.6.13.5 ADAPTIVE_EQ_BYPASS Register

RX port specific register. The FPD-Link III Port Select register 0x4C configures which unique Rx port registers can be accessed by I2C read and write commands.

Table 186. ADAPTIVE EQ BYPASS Register (Address 0xD4)

| BIT | FIELD | TYPE | DEFAULT | DESCRIPTION |
|-----|-------------------------|------|---------|--|
| 7:5 | EQ_STAGE_1_SELECT_VALUE | R/W | 0x3 | EQ select value [5:3] - Used if adaptive EQ is bypassed. |
| 4 | AEQ_LOCK_MODE | R/W | 0 | Adaptive Equalizer lock mode When set to a 1, Receiver Lock status requires the Adaptive Equalizer to complete adaption. When set to a 0, Receiver Lock is based only on the Lock circuit itself. AEQ may not have stabilized. |
| 3:1 | EQ_STAGE_2_SELECT_VALUE | R/W | 0x0 | EQ select value [2:0] - Used if adaptive EQ is bypassed. |
| 0 | ADAPTIVE_EQ_BYPASS | R/W | 0 | 1: Disable adaptive EQ 0: Enable adaptive EQ |

7.6.13.6 AEQ_MIN_MAX Register

RX port specific register. The FPD-Link III Port Select register 0x4C configures which unique Rx port registers can be accessed by I2C read and write commands.

Table 187. AEQ_MIN_MAX Register (Address 0xD5)

| BIT | FIELD | TYPE | DEFAULT | DESCRIPTION |
|-----|-------------------------|------|---------|---|
| 7:4 | AEQ_MAX | R/W | 0xF | Adaptive Equalizer Maximum value This register sets the maximum value for the Adaptive EQ algorithm. |
| 3:0 | ADAPTIVE_EQ_FLOOR_VALUE | R/W | 0x2 | When AEQ floor is enabled by register 0xD2[2] the starting setting is given by this register. |

7.6.13.7 SFILTER_STS_0 Register

RX port specific register. The FPD-Link III Port Select register 0x4C configures which unique Rx port registers can be accessed by I2C read and write commands.

Table 188. SFILTER_STS_0 Register (Address 0xD6)

| BIT | FIELD | TYPE | DEFAULT | DESCRIPTION |
|-----|----------------|------|---------|--|
| 7 | SFILTER_MAXED | R/RC | 0 | SFILTER has reached limit When set, the adaptive control of the SFILTER has reached the maximum limit and the algorithm is unable to further adapt. This register is cleared on read. |
| 6 | SFILTER_STABLE | R/LL | 0 | Indicates SFILTER setting is stable This register bit value is latched low. Read to clear for current status. |
| 5:0 | SFILTER_CDLY | R | 0x0 | SFILTER Clock Delay Current value of clock delay control to SFILTER circuit |

7.6.13.8 SFILTER_STS_1 Register

RX port specific register. The FPD-Link III Port Select register 0x4C configures which unique Rx port registers can be accessed by I2C read and write commands.

Table 189. SFILTER_STS_1 Register (Address 0xD7)

| BIT | FIELD | TYPE | DEFAULT | DESCRIPTION |
|-----|---------------|------|---------|--|
| 7 | RESERVED | - | 0 | Reserved |
| 6 | SFILTER_ERROR | R/RC | 0 | SFILTER measurement error detect If this bit is set, one or more measurements since the last read reported invalid results. This register is cleared on read. |
| 5:0 | SFILTER_DDLY | R | 0x0 | SFILTER Data Delay Current value of data delay control to SFILTER circuit (The readout may vary depending on device status). |

7.6.13.9 PORT_ICR_HI Register

RX port specific register. The FPD-Link III Port Select register 0x4C configures which unique Rx port registers can be accessed by I2C read and write commands.

Table 190. PORT_ICR_HI Register (Address 0xD8)

| BIT | FIELD | TYPE | DEFAULT | DESCRIPTION |
|-----|-----------------|------|---------|---|
| 7:3 | RESERVED | - | 0x0 | Reserved |
| 2 | IE_FPD3_ENC_ERR | R/W | 0 | Interrupt on FPD-Link III Receiver Encoding Error When enabled, an interrupt is generated on detection of an encoding error on the FPD-Link III interface for the receive port as reported in the FPD3_ENC_ERROR bit in the RX_PORT_STS2 register |
| 1 | IE_BCC_SEQ_ERR | R/W | 0 | Interrupt on BCC SEQ Sequence Error When enabled, an interrupt is generated if a Sequence Error is detected for the Bi-directional Control Channel forward channel receiver as reported in the BCC_SEQ_ERROR bit in the RX_PORT_STS1 register. |
| 0 | IE_BCC_CRC_ERR | R/W | 0 | Interrupt on BCC CRC error detect When enabled, an interrupt is generated if a CRC error is detected on a Bi-directional Control Channel frame received over the FPD-Link III forward channel as reported in the BCC_CRC_ERROR bit in the RX_PORT_STS1 register. |

7.6.13.10 PORT_ICR_LO Register

RX port specific register. The FPD-Link III Port Select register 0x4C configures which unique Rx port registers can be accessed by I2C read and write commands.

Table 191. PORT_ICR_LO Register (Address 0xD9)

| BIT | FIELD | TYPE | DEFAULT | DESCRIPTION |
|-----|-----------------|------|---------|---|
| 7 | RESERVED | - | 0 | Reserved |
| 6 | IE_LINE_LEN_CHG | R/W | 0 | Interrupt on Video Line length When enabled, an interrupt is generated if the length of the video line changes. Status is reported in the LINE_LEN_CHG bit in the RX_PORT_STS2 register. |
| 5 | IE_LINE_CNT_CHG | R/W | 0 | Interrupt on Video Line count When enabled, an interrupt is generated if the number of video lines per frame changes. Status is reported in the LINE_CNT_CHG bit in the RX_PORT_STS2 register. |
| 4 | IE_BUFFER_ERR | R/W | 0 | Interrupt on Receiver Buffer Error When enabled, an interrupt is generated if the Receive Buffer overflow is detected as reported in the BUFFER_ERROR bit in the RX_PORT_STS2 register. |
| 3 | RESERVED | - | 0 | Reserved |

Table 191. PORT_ICR_LO Register (Address 0xD9) (continued)

| BIT | FIELD | TYPE | DEFAULT | DESCRIPTION |
|-----|-----------------|------|---------|--|
| 2 | IE_FPD3_PAR_ERR | R/W | 0 | Interrupt on FPD-Link III Receiver Parity Error When enabled, an interrupt is generated on detection of parity errors on the FPD-Link III interface for the receive port. Parity error status is reported in the PARITY_ERROR bit in the RX_PORT_STS1 register. |
| 1 | IE_PORT_PASS | R/W | 0 | Interrupt on change in Port PASS status When enabled, an interrupt is generated on a change in receiver port valid status as reported in the PORT_PASS bit in the PORT_STS1 register. |
| 0 | IE_LOCK_STS | R/W | 0 | Interrupt on change in Lock Status When enabled, an interrupt is generated on a change in lock status. Status is reported in the LOCK_STS_CHG bit in the RX_PORT_STS1 register. |

7.6.13.11 PORT_ISR_HI Register

RX port specific register. The FPD-Link III Port Select register 0x4C configures which unique Rx port registers can be accessed by I2C read and write commands.

Table 192. PORT_ISR_HI Register (Address 0xDA)

| BIT | FIELD | TYPE | DEFAULT | DESCRIPTION |
|-----|-----------------|------|---------|---|
| 7:3 | RESERVED | - | 0x0 | Reserved |
| 2 | IS_FPD3_ENC_ERR | R | 0 | FPD-Link III Receiver Encode Error Interrupt Status An encoding error on the FPD-Link III interface for the receive port has been detected. Status is reported in the FPD3_ENC_ERROR bit in the RX_PORT_STS2 register. This interrupt condition is cleared by reading the RX_PORT_STS2 register. |
| 1 | IS_BCC_SEQ_ERR | R | 0 | BCC CRC Sequence Error Interrupt Status A Sequence Error has been detected for the Bi-directional Control Channel forward channel receiver. Status is reported in the BCC_SEQ_ERROR bit in the RX_PORT_STS1 register. This interrupt condition is cleared by reading the RX_PORT_STS1 register. |
| 0 | IS_BCC_CRC_ERR | R | 0 | BCC CRC error detect Interrupt Status A CRC error has been detected on a Bi-directional Control Channel frame received over the FPD-Link III forward channel. Status is reported in the BCC_CRC_ERROR bit in the RX_PORT_STS1 register. This interrupt condition is cleared by reading the RX_PORT_STS1 register. |

7.6.13.12 PORT_ISR_LO Register

RX port specific register. The FPD-Link III Port Select register 0x4C configures which unique Rx port registers can be accessed by I2C read and write commands.

Table 193. PORT_ISR_LO Register (Address 0xDB)

| BIT | FIELD | TYPE | DEFAULT | DESCRIPTION |
|-----|-----------------|------|---------|---|
| 7 | RESERVED | - | 0 | Reserved |
| 6 | IS_LINE_LEN_CHG | R | 0 | Video Line Length Interrupt Status A change in video line length has been detected. Status is reported in the LINE_LEN_CHG bit in the RX_PORT_STS2 register. This interrupt condition is cleared by reading the RX_PORT_STS2 register. |
| 5 | IS_LINE_CNT_CHG | R | 0 | Video Line Count Interrupt Status A change in number of video lines per frame has been detected. Status is reported in the LINE_CNT_CHG bit in the RX_PORT_STS2 register. This interrupt condition is cleared by reading the RX_PORT_STS2 register. |

Table 193. PORT_ISR_LO Register (Address 0xDB) (continued)

| BIT | FIELD | TYPE | DEFAULT | DESCRIPTION |
|-----|-----------------|------|---------|---|
| 4 | IS_BUFFER_ERR | R | 0 | Receiver Buffer Error Interrupt Status A Receive Buffer overflow has been detected as reported in the BUFFER_ERROR bit in the RX_PORT_STS2 register. This interrupt condition is cleared by reading the RX_PORT_STS2 register. |
| 3 | RESERVED | - | 0 | Reserved |
| 2 | IS_FPD3_PAR_ERR | R | 0 | FPD-Link III Receiver Parity Error Interrupt Status A parity error on the FPD-Link III interface for the receive port has been detected. Parity error status is reported in the PARITY_ERROR bit in the RX_PORT_STS1 register. This interrupt condition is cleared by reading the RX_PORT_STS1 register. |
| 1 | IS_PORT_PASS | R | 0 | Port Valid Interrupt Status A change in receiver port valid status as reported in the PORT_PASS bit in the PORT_STS1 register. This interrupt condition is cleared by reading the RX_PORT_STS1 register. |
| 0 | IS_LOCK_STS | R | 0 | Lock Interrupt Status A change in lock status has been detected. Status is reported in the LOCK_STS_CHG bit in the RX_PORT_STS1 register. This interrupt condition is cleared by reading the RX_PORT_STS1 register. |

7.6.13.13 FC_GPIO_STS Register

RX port specific register. The FPD-Link III Port Select register 0x4C configures which unique Rx port registers can be accessed by I2C read and write commands.

Table 194. FC_GPIO_STS Register (Address 0xDC)

| BIT | FIELD | TYPE | DEFAULT | DESCRIPTION |
|-----|---------------|------|---------|--|
| 7 | GPIO3_INT_STS | R/RC | 0 | GPIO3 Interrupt Status This bit indicates an interrupt condition has been met for GPIO3. This bit is cleared on read. |
| 6 | GPIO2_INT_STS | R/RC | 0 | GPIO2 Interrupt Status This bit indicates an interrupt condition has been met for GPIO2. This bit is cleared on read. |
| 5 | GPIO1_INT_STS | R/RC | 0 | GPIO1 Interrupt Status This bit indicates an interrupt condition has been met for GPIO1. This bit is cleared on read. |
| 4 | GPIO0_INT_STS | R/RC | 0 | GPIO0 Interrupt Status This bit indicates an interrupt condition has been met for GPIO0. This bit is cleared on read. |
| 3 | FC_GPIO3_STS | R | 0 | Forward Channel GPIO3 Status This bit indicates the current value for forward channel GPIO3. |
| 2 | FC_GPIO2_STS | R | 0 | Forward Channel GPIO2 Status This bit indicates the current value for forward channel GPIO3. |
| 1 | FC_GPIO1_STS | R | 0 | Forward Channel GPIO1 Status This bit indicates the current value for forward channel GPIO3. |
| 0 | FC_GPIO0_STS | R | 0 | Forward Channel GPIO0 Status This bit indicates the current value for forward channel GPIO3. |

7.6.13.14 FC_GPIO_ICR Register

RX port specific register. The FPD-Link III Port Select register 0x4C configures which unique Rx port registers can be accessed by I2C read and write commands.

Table 195. FC_GPIO_ICR Register (Address 0xDD)

| BIT | FIELD | TYPE | DEFAULT | DESCRIPTION |
|-----|---------------|------|---------|--|
| 7 | GPIO3_FALL_IE | W | 0 | GPIO3 Fall Interrupt Enable If this bit is set, an interrupt will be generated based on detection of a falling edge on GPIO3. |

Table 195. FC_GPIO_ICR Register (Address 0xDD) (continued)

| BIT | FIELD | TYPE | DEFAULT | DESCRIPTION |
|-----|---------------|------|---------|--|
| 6 | GPIO3_RISE_IE | W | 0 | GPIO3 Rise Interrupt Enable If this bit is set, an interrupt will be generated based on detection of a rising edge on GPIO3. |
| 5 | GPIO2_FALL_IE | W | 0 | GPIO2 Fall Interrupt Enable If this bit is set, an interrupt will be generated based on detection of a falling edge on GPIO2. |
| 4 | GPIO2_RISE_IE | W | 0 | GPIO2 Rise Interrupt Enable If this bit is set, an interrupt will be generated based on detection of a rising edge on GPIO2. |
| 3 | GPIO1_FALL_IE | W | 0 | GPIO1 Fall Interrupt Enable If this bit is set, an interrupt will be generated based on detection of a falling edge on GPIO1. |
| 2 | GPIO1_RISE_IE | W | 0 | GPIO1 Rise Interrupt Enable If this bit is set, an interrupt will be generated based on detection of a rising edge on GPIO1. |
| 1 | GPIO0_FALL_IE | W | 0 | GPIO0 Fall Interrupt Enable If this bit is set, an interrupt will be generated based on detection of a falling edge on GPIO0. |
| 0 | GPIO1_RISE_IE | W | 0 | GPIO3 Rise Interrupt Enable If this bit is set, an interrupt will be generated based on detection of a rising edge on GPIO0. |

7.6.13.15 SEN_INT_RISE_STS Register

RX port specific register. The FPD-Link III Port Select register 0x4C configures which unique Rx port registers can be accessed by I2C read and write commands.

Table 196. SEN_INT_RISE_STS Register (Address 0xDE)

| BIT | FIELD | TYPE | DEFAULT | DESCRIPTION |
|-----|--------------|------|---------|---|
| 7:0 | SEN_INT_RISE | R/RC | 0x00 | Sensor Interrupt Rise Status This register provides the interrupt status for rising edge transitions on the bits in SENSOR_STS_0. If a mask bit is set in the SEN_INT_RISE_MASK register, a rising edge transition on the corresponding SENSOR_STS_0 bit will generate an interrupt that will be latched in this register. |

7.6.13.16 SEN_INT_FALL_STS Register

RX port specific register. The FPD-Link III Port Select register 0x4C configures which unique Rx port registers can be accessed by I2C read and write commands.

Table 197. SEN_INT_FALL_STS Register (Address 0xDF)

| BIT | FIELD | TYPE | DEFAULT | DESCRIPTION |
|-----|--------------|------|---------|---|
| 7:0 | SEN_INT_FALL | R/RC | 0x00 | Sensor Interrupt Fall Status This register provides the interrupt status for falling edge transitions on the bits in SENSOR_STS_0. If a mask bit is set in the SEN_INT_FALL_MASK register, a falling edge transition on the corresponding SENSOR_STS_0 bit will generate an interrupt that will be latched in this register. |

7.6.14 RESERVED Registers
Table 198. RESERVED (Address 0xE0 - 0xEF)

| BIT | FIELD | TYPE | DEFAULT | DESCRIPTION |
|-----|----------|------|---------|-------------|
| 7:0 | RESERVED | - | 0x00 | Reserved |

7.6.15 FPD3 RX ID Registers (Shared)

7.6.15.1 FPD3_RX_ID0 Register

Table 199. FPD3_RX_ID0 Register (Address 0xF0)

| BIT | FIELD | TYPE | DEFAULT | DESCRIPTION |
|-----|-------------|------|---------|--------------------------------------|
| 7:0 | FPD3_RX_ID0 | R | 0x5F | FPD3_RX_ID0: First byte ID code: '_' |

7.6.15.2 FPD3_RX_ID1 Register

Table 200. FPD3_RX_ID1 Register (Address 0xF1)

| BIT | FIELD | TYPE | DEFAULT | DESCRIPTION |
|-----|-------------|------|---------|---------------------------------------|
| 7:0 | FPD3_RX_ID1 | R | 0x55 | FPD3_RX_ID1: 2nd byte of ID code: 'U' |

7.6.15.3 FPD3_RX_ID2 Register

Table 201. FPD3_RX_ID2 Register (Address 0xF2)

| BIT | FIELD | TYPE | DEFAULT | DESCRIPTION |
|-----|-------------|------|---------|---------------------------------------|
| 7:0 | FPD3_RX_ID2 | R | 0x42 | FPD3_RX_ID2: 3rd byte of ID code: 'B' |

7.6.15.4 FPD3_RX_ID3 Register

Table 202. FPD3_RX_ID3 Register (Address 0xF3)

| BIT | FIELD | TYPE | DEFAULT | DESCRIPTION |
|-----|-------------|------|---------|---------------------------------------|
| 7:0 | FPD3_RX_ID3 | R | 0x39 | FPD3_RX_ID3: 4th byte of ID code: '9' |

7.6.15.5 FPD3_RX_ID4 Register

Table 203. FPD3_RX_ID4 Register (Address 0xF4)

| BIT | FIELD | TYPE | DEFAULT | DESCRIPTION |
|-----|-------------|------|---------|---------------------------------------|
| 7:0 | FPD3_RX_ID4 | R | 0x36 | FPD3_RX_ID4: 5th byte of ID code: '6' |

7.6.15.6 FPD3_RX_ID5 Register

Table 204. FPD3_RX_ID5 Register (Address 0xF5)

| BIT | FIELD | TYPE | DEFAULT | DESCRIPTION |
|-----|-------------|------|---------|---------------------------------------|
| 7:0 | FPD3_RX_ID5 | R | 0x30 | FPD3_RX_ID5: 6th byte of ID code: '0' |

7.6.16 RESERVED Registers

Table 205. RESERVED (Address 0xF6 - 0xF7)

| BIT | FIELD | TYPE | DEFAULT | DESCRIPTION |
|-----|----------|------|---------|-------------|
| 7:0 | RESERVED | - | 0x00 | Reserved |

7.6.17 RX Port I2C Addressing Registers (Shared)

7.6.17.1 I2C_RX0_ID Register

As an alternative to paging to access FPD-Link III receive port 0 registers, a separate I2C address may be enabled to allow direct access to the port 0 specific registers. The I2C_RX_0_ID register provides a simpler method of accessing device registers specifically for port 0 without having to use the paging function to select the register page. Using this address also allows access to all shared registers.

Table 206. I2C_RX0_ID Register (Address 0xF8)

| BIT | FIELD | TYPE | DEFAULT | DESCRIPTION |
|-----|-------------|------|---------|---|
| 7:1 | RX_PORT0_ID | R/W | 0x0 | 7-bit Receive Port 0 I2C ID Configures the decoder for detecting transactions designated for Receiver port 0 registers. This provides a simpler method of accessing device registers specifically for port 0 without having to use the paging function to select the register page. A value of 0 in this field disables the Port0 decoder. |
| 0 | RESERVED | - | 0 | Reserved |

7.6.17.2 I2C_RX1_ID Register

As an alternative to paging to access FPD-Link III receive port 1 registers, a separate I2C address may be enabled to allow direct access to the port 1 specific registers. The I2C_RX_1_ID register provides a simpler method of accessing device registers specifically for port 1 without having to use the paging function to select the register page. Using this address also allows access to all shared registers.

Table 207. I2C_RX1_ID Register (Address 0xF9)

| BIT | FIELD | TYPE | DEFAULT | DESCRIPTION |
|-----|-------------|------|---------|---|
| 7:1 | RX_PORT1_ID | R/W | 0x0 | 7-bit Receive Port 1 I2C ID Configures the decoder for detecting transactions designated for Receiver port 1 registers. This provides a simpler method of accessing device registers specifically for port 1 without having to use the paging function to select the register page. A value of 0 in this field disables the Port1 decoder. |
| 0 | RESERVED | - | 0 | Reserved |

7.6.17.3 I2C_RX2_ID Register

As an alternative to paging to access FPD-Link III receive port 2 registers, a separate I2C address may be enabled to allow direct access to the port 2 specific registers. The I2C_RX_2_ID register provides a simpler method of accessing device registers specifically for port 2 without having to use the paging function to select the register page. Using this address also allows access to all shared registers.

Table 208. I2C_RX2_ID Register (Address 0xFA)

| BIT | FIELD | TYPE | DEFAULT | DESCRIPTION |
|-----|-------------|------|---------|---|
| 7:1 | RX_PORT2_ID | R/W | 0x0 | 7-bit Receive Port 2 I2C ID Configures the decoder for detecting transactions designated for Receiver port 2 registers. This provides a simpler method of accessing device registers specifically for port 2 without having to use the paging function to select the register page. A value of 0 in this field disables the Port2 decoder. |
| 0 | RESERVED | - | 0 | Reserved |

7.6.17.4 I2C_RX3_ID Register

As an alternative to paging to access FPD-Link III receive port 3 registers, a separate I2C address may be enabled to allow direct access to the port 3 specific registers. The I2C_RX_3_ID register provides a simpler method of accessing device registers specifically for port 3 without having to use the paging function to select the register page. Using this address also allows access to all shared registers.

Table 209. I2C_RX3_ID Register (Address 0xFB)

| BIT | FIELD | TYPE | DEFAULT | DESCRIPTION |
|-----|-------------|------|---------|---|
| 7:1 | RX_PORT3_ID | R/W | 0x0 | 7-bit Receive Port 3 I2C ID Configures the decoder for detecting transactions designated for Receiver port 3 registers. This provides a simpler method of accessing device registers specifically for port 3 without having to use the paging function to select the register page. A value of 0 in this field disables the Port3 decoder. |
| 0 | RESERVED | - | 0 | Reserved |

7.6.18 RESERVED Registers

Table 210. RESERVED (Address 0xFC - 0xFF)

| BIT | FIELD | TYPE | DEFAULT | DESCRIPTION |
|-----|----------|------|---------|-------------|
| 7:0 | RESERVED | - | 0x00 | Reserved |

LEGEND:

- R = Read only access
- R/LL = Read only access / Latched Low and held until read
- R/RC = Read only, Read to Clear
- R/S = Read only access / set based on Strap pin configuration at startup
- R/W = Read / Write access
- R/W/S = Read / Write access / Set based on strap pin configuration at startup
- R/W/SC = Read / Write access / Self-Clearing

7.6.19 Indirect Access Registers

Several functional blocks include register sets contained in the Indirect Access map (Table 211); i.e. Pattern Generator, CSI-2 timing, and Analog controls. Register access is provided via an indirect access mechanism through the Indirect Access registers (IND_ACC_CTL, IND_ACC_ADDR, and IND_ACC_DATA). These registers are located at offsets 0xB0-0xB2 in the main register space.

The indirect address mechanism involves setting the control register to select the desired block, setting the register offset address, and reading or writing the data register. In addition, an auto-increment function is provided in the control register to automatically increment the offset address following each read or write of the data register.

For writes, the process is as follows:

1. Write to the IND_ACC_CTL register to select the desired register block
2. Write to the IND_ACC_ADDR register to set the register offset
3. Write the data value to the IND_ACC_DATA register

If auto-increment is set in the IND_ACC_CTL register, repeating step 3 will write additional data bytes to subsequent register offset locations

For reads, the process is as follows:

1. Write to the IND_ACC_CTL register to select the desired register block
2. Write to the IND_ACC_ADDR register to set the register offset
3. Read from the IND_ACC_DATA register

If auto-increment is set in the IND_ACC_CTL register, repeating step 3 will read additional data bytes from subsequent register offset locations.

Table 211. Indirect Register Map Description

| IA Select 0xB0[5:2] | Page/Block | Indirect Registers | Address Range | Description |
|------------------------|------------|-----------------------------------|---------------|----------------------------------|
| 0000 | 0 | Digital Page 0 Indirect Registers | 0x01-0x1F | Pattern Gen Registers |
| | | | 0x40-0x51 | CSI-2 TX port 0 Timing Registers |
| | | | 0x60-0x71 | CSI-2 TX port 1 Timing Registers |
| 0001 | 1 | FPD3 Channel 0 Reserved Registers | 0x00-0x14 | Reserved |
| 0010 | 2 | FPD3 Channel 1 Reserved Registers | 0x00-0x14 | Reserved |
| 0011 | 3 | FPD3 Channel 2 Reserved Registers | 0x00-0x14 | Reserved |
| 0100 | 4 | FPD3 Channel 3 Reserved Registers | 0x00-0x14 | Reserved |
| 0101 | 5 | FPD3 Share Reserved Registers | 0x00-0x04 | Reserved |
| 0110 | 6 | Write All FPD3 Reserved Registers | 0x00-0x14 | Reserved |
| 0111 | 7 | CSI-2 TX Reserved Registers | 0x00-0x1D | Reserved |

7.6.20 Digital Page 0 Indirect Registers

7.6.20.1 RESERVED

Table 212. RESERVED Register (Address 0x00)

| BIT | FIELD | TYPE | DEFAULT | DESCRIPTION |
|-----|----------|------|---------|-------------|
| 7:0 | RESERVED | - | 0x0 | Reserved |

7.6.20.2 PGEN_CTL

Table 213. PGEN_CTL Register (Address 0x01)

| BIT | FIELD | TYPE | DEFAULT | DESCRIPTION |
|-----|----------|------|---------|-------------|
| 7:1 | RESERVED | - | 0x0 | Reserved |

Table 213. PGEN_CTL Register (Address 0x01) (continued)

| BIT | FIELD | TYPE | DEFAULT | DESCRIPTION |
|-----|-------------|------|---------|---|
| 0 | PGEN_ENABLE | R/W | 0 | Pattern Generator Enable 1: Enable Pattern Generator 0: Disable Pattern Generator |

7.6.20.3 PGEN_CFG
Table 214. PGEN_CFG Register (Address 0x02)

| BIT | FIELD | TYPE | DEFAULT | DESCRIPTION |
|-----|---------------|------|---------|--|
| 7 | PGEN_FIXED_EN | R/W | 0 | Fixed Pattern Enable Setting this bit enables Fixed Color Patterns. 0 : Send Color Bar Pattern 1 : Send Fixed Color Pattern |
| 6 | RESERVED | - | 0 | Reserved |
| 5:4 | NUM_CBARS | R/W | 0x3 | Number of Color Bars 00 : 1 Color Bar 01 : 2 Color Bars 10 : 4 Color Bars 11 : 8 Color Bars |
| 3:0 | BLOCK_SIZE | R/W | 0x3 | Block Size For Fixed Color Patterns, this field controls the size of the fixed color field in bytes. Allowed values are 1 to 15. |

7.6.20.4 PGEN_CSI_DI
Table 215. PGEN_CSI_DI Register (Address 0x03)

| BIT | FIELD | TYPE | DEFAULT | DESCRIPTION |
|-----|-------------|------|---------|---|
| 7:6 | PGEN_CSI_VC | R/W | 0x0 | CSI-2 Virtual Channel Identifier This field controls the value sent in the CSI-2 packet for the Virtual Channel Identifier |
| 5:0 | PGEN_CSI_DT | R/W | 0x24 | CSI-2 Data Type This field controls the value sent in the CSI-2 packet for the Data Type. The default value (0x24) indicates RGB888. |

7.6.20.5 PGEN_LINE_SIZE1
Table 216. PGEN_LINE_SIZE1 Register (Address 0x04)

| BIT | FIELD | TYPE | DEFAULT | DESCRIPTION |
|-----|----------------------|------|---------|--|
| 7:0 | PGEN_LINE_SIZE[15:8] | R/W | 0x07 | Most significant byte of the Pattern Generator line size. This is the active line length in bytes. Default setting is for 1920 bytes for a 640 pixel line width. |

7.6.20.6 PGEN_LINE_SIZE0
Table 217. PGEN_LINE_SIZE0 Register (Address 0x05)

| BIT | FIELD | TYPE | DEFAULT | DESCRIPTION |
|-----|---------------------|------|---------|---|
| 7:0 | PGEN_LINE_SIZE[7:0] | R/W | 0x80 | Least significant byte of the Pattern Generator line size. This is the active line length in bytes. Default setting is for 1920 bytes for a 640 pixel line width. |

7.6.20.7 PGEN_BAR_SIZE1
Table 218. PGEN_BAR_SIZE1 Register (Address 0x06)

| BIT | FIELD | TYPE | DEFAULT | DESCRIPTION |
|-----|---------------------|------|---------|---|
| 7:0 | PGEN_BAR_SIZE[15:8] | R/W | 0x0 | Most significant byte of the Pattern Generator color bar size. This is the active length in bytes for the color bars. This value is used for all except the last color bar. The last color bar is determined by the remaining bytes as defined by the PGEN_LINE_SIZE value. |

7.6.20.8 PGEN_BAR_SIZE0
Table 219. PGEN_BAR_SIZE0 Register (Address 0x07)

| BIT | FIELD | TYPE | DEFAULT | DESCRIPTION |
|-----|--------------------|------|---------|--|
| 7:0 | PGEN_BAR_SIZE[7:0] | R/W | 0xF0 | Least significant byte of the Pattern Generator color bar size. This is the active length in bytes for the color bars. This value is used for all except the last color bar. The last color bar is determined by the remaining bytes as defined by the PGEN_LINE_SIZE value. |

7.6.20.9 PGEN_ACT_LPF1
Table 220. PGEN_ACT_LPF1 Register (Address 0x08)

| BIT | FIELD | TYPE | DEFAULT | DESCRIPTION |
|-----|--------------------|------|---------|---|
| 7:0 | PGEN_ACT_LPF[15:8] | R/W | 0x01 | Active Lines Per Frame Most significant byte of the number of active lines per frame. Default setting is for 480 active lines per frame. |

7.6.20.10 PGEN_ACT_LPF0
Table 221. PGEN_ACT_LPF0 Register (Address 0x09)

| BIT | FIELD | TYPE | DEFAULT | DESCRIPTION |
|-----|-------------------|------|---------|--|
| 7:0 | PGEN_ACT_LPF[7:0] | R/W | 0xE0 | Active Lines Per Frame Least significant byte of the number of active lines per frame. Default setting is for 480 active lines per frame. |

7.6.20.11 PGEN_TOT_LPF1
Table 222. PGEN_TOT_LPF1 Register (Address 0x0A)

| BIT | FIELD | TYPE | DEFAULT | DESCRIPTION |
|-----|--------------------|------|---------|---|
| 7:0 | PGEN_TOT_LPF[15:8] | R/W | 0x02 | Total Lines Per Frame Most significant byte of the number of total lines per frame including vertical blanking |

7.6.20.12 PGEN_TOT_LPF0
Table 223. PGEN_TOT_LPF0 Register (Address 0x0B)

| BIT | FIELD | TYPE | DEFAULT | DESCRIPTION |
|-----|-------------------|------|---------|--|
| 7:0 | PGEN_TOT_LPF[7:0] | R/W | 0x0D | Total Lines Per Frame Least significant byte of the number of total lines per frame including vertical blanking |

7.6.20.13 PGEN_LINE_PD1
Table 224. PGEN_LINE_PD1 Register (Address 0x0C)

| BIT | FIELD | TYPE | DEFAULT | DESCRIPTION |
|-----|--------------------|------|---------|--|
| 7:0 | PGEN_LINE_PD[15:8] | R/W | 0x0C | Line Period Most significant byte of the line period. In 800 Mbps and 1.6 Gbps CSI-2 modes, units are 10 ns and the default setting for the line period registers sets a line period of 31.75 microseconds. In 1.2 Gbps CSI-2 mode, units are 13.33 ns and the default setting for the line period registers sets a line period of 42.33 microseconds. In 400 Mbps CSI-2 mode, units are 20ns and the default setting for the line period registers sets a line period of 63.5 microseconds. |

7.6.20.14 PGEN_LINE_PD0
Table 225. PGEN_LINE_PD0 Register (Address 0x0D)

| BIT | FIELD | TYPE | DEFAULT | DESCRIPTION |
|-----|-------------------|------|---------|---|
| 7:0 | PGEN_LINE_PD[7:0] | R/W | 0x67 | Line Period Least significant byte of the line period. In 800 Mbps and 1.6 Gbps CSI-2 modes, units are 10 ns and the default setting for the line period registers sets a line period of 31.75 microseconds. In 1.2 Gbps CSI-2 mode, units are 13.33 ns and the default setting for the line period registers sets a line period of 42.33 microseconds. In 400 Mbps CSI-2 mode, units are 20ns and the default setting for the line period registers sets a line period of 63.5 microseconds. |

7.6.20.15 PGEN_VBP
Table 226. PGEN_VBP Register (Address 0x0E)

| BIT | FIELD | TYPE | DEFAULT | DESCRIPTION |
|-----|----------|------|---------|--|
| 7:0 | PGEN_VBP | R/W | 0x21 | Vertical Back Porch This value provides the vertical back porch portion of the vertical blanking interval. This value provides the number of blank lines between the FrameStart packet and the first video data packet. |

7.6.20.16 PGEN_VFP
Table 227. Register (Address 0x0F)

| BIT | FIELD | TYPE | DEFAULT | DESCRIPTION |
|-----|----------|------|---------|--|
| 7:0 | PGEN_VFP | R/W | 0x0A | Vertical Front Porch This value provides the vertical front porch portion of the vertical blanking interval. This value provides the number of blank lines between the last video line and the FrameEnd packet. |

7.6.20.17 PGEN_COLOR0
Table 228. PGEN_COLOR0 Register (Address 0x10)

| BIT | FIELD | TYPE | DEFAULT | DESCRIPTION |
|-----|-------------|------|---------|--|
| 7:0 | PGEN_COLOR0 | R/W | 0xAA | Pattern Generator Color 0 For Reference Color Bar Patterns, this register controls the byte data value sent during color bar 0. For Fixed Color Patterns, this register controls the first byte of the fixed color pattern. |

7.6.20.18 PGEN_COLOR1
Table 229. PGEN_COLOR1 Register (Address 0x11)

| BIT | FIELD | TYPE | DEFAULT | DESCRIPTION |
|-----|-------------|------|---------|---|
| 7:0 | PGEN_COLOR1 | R/W | 0x33 | Pattern Generator Color 1 For Reference Color Bar Patterns, this register controls the byte data value sent during color bar 1. For Fixed Color Patterns, this register controls the second byte of the fixed color pattern. |

7.6.20.19 PGEN_COLOR2
Table 230. PGEN_COLOR2 Register (Address 0x12)

| BIT | FIELD | TYPE | DEFAULT | DESCRIPTION |
|-----|-------------|------|---------|--|
| 7:0 | PGEN_COLOR2 | R/W | 0xF0 | Pattern Generator Color 2 For Reference Color Bar Patterns, this register controls the byte data value sent during color bar 2. For Fixed Color Patterns, this register controls the third byte of the fixed color pattern. |

7.6.20.20 PGEN_COLOR3
Table 231. PGEN_COLOR3 Register (Address 0x13)

| BIT | FIELD | TYPE | DEFAULT | DESCRIPTION |
|-----|-------------|------|---------|---|
| 7:0 | PGEN_COLOR3 | R/W | 0x7F | Pattern Generator Color 3 For Reference Color Bar Patterns, this register controls the byte data value sent during color bar 3. For Fixed Color Patterns, this register controls the fourth byte of the fixed color pattern. |

7.6.20.21 PGEN_COLOR4
Table 232. PGEN_COLOR1 Register (Address 0x14)

| BIT | FIELD | TYPE | DEFAULT | DESCRIPTION |
|-----|-------------|------|---------|--|
| 7:0 | PGEN_COLOR4 | R/W | 0x55 | Pattern Generator Color 4 For Reference Color Bar Patterns, this register controls the byte data value sent during color bar 4. For Fixed Color Patterns, this register controls the fifth byte of the fixed color pattern. |

7.6.20.22 PGEN_COLOR5
Table 233. PGEN_COLOR5 Register (Address 0x15)

| BIT | FIELD | TYPE | DEFAULT | DESCRIPTION |
|-----|-------------|------|---------|--|
| 7:0 | PGEN_COLOR5 | R/W | 0xCC | Pattern Generator Color 5 For Reference Color Bar Patterns, this register controls the byte data value sent during color bar 5. For Fixed Color Patterns, this register controls the sixth byte of the fixed color pattern. |

7.6.20.23 PGEN_COLOR6
Table 234. PGEN_COLOR6 Register (Address 0x16)

| BIT | FIELD | TYPE | DEFAULT | DESCRIPTION |
|-----|-------------|------|---------|--|
| 7:0 | PGEN_COLOR6 | R/W | 0x0F | Pattern Generator Color 6 For Reference Color Bar Patterns, this register controls the byte data value sent during color bar 6. For Fixed Color Patterns, this register controls the seventh byte of the fixed color pattern. |

7.6.20.24 PGEN_COLOR7
Table 235. PGEN_COLOR7 Register (Address 0x17)

| BIT | FIELD | TYPE | DEFAULT | DESCRIPTION |
|-----|-------------|------|---------|---|
| 7:0 | PGEN_COLOR7 | R/W | 0x80 | Pattern Generator Color 7 For Reference Color Bar Patterns, this register controls the byte data value sent during color bar 7. For Fixed Color Patterns, this register controls the eighth byte of the fixed color pattern. |

7.6.20.25 PGEN_COLOR8
Table 236. PGEN_COLOR8 Register (Address 0x18)

| BIT | FIELD | TYPE | DEFAULT | DESCRIPTION |
|-----|-------------|------|---------|--|
| 7:0 | PGEN_COLOR8 | R/W | 0x0 | Pattern Generator Color 8 For Fixed Color Patterns, this register controls the ninth byte of the fixed color pattern. |

7.6.20.26 PGEN_COLOR9
Table 237. PGEN_COLOR1 Register (Address 0x19)

| BIT | FIELD | TYPE | DEFAULT | DESCRIPTION |
|-----|-------------|------|---------|--|
| 7:0 | PGEN_COLOR9 | R/W | 0x0 | Pattern Generator Color 9 For Fixed Color Patterns, this register controls the tenth byte of the fixed color pattern. |

7.6.20.27 PGEN_COLOR10
Table 238. PGEN_COLOR10 Register (Address 0x1A)

| BIT | FIELD | TYPE | DEFAULT | DESCRIPTION |
|-----|--------------|------|---------|--|
| 7:0 | PGEN_COLOR10 | R/W | 0x0 | Pattern Generator Color 10 For Fixed Color Patterns, this register controls the eleventh byte of the fixed color pattern. |

7.6.20.28 PGEN_COLOR11
Table 239. PGEN_COLOR11 Register (Address 0x1B)

| BIT | FIELD | TYPE | DEFAULT | DESCRIPTION |
|-----|--------------|------|---------|---|
| 7:0 | PGEN_COLOR11 | R/W | 0x0 | Pattern Generator Color 11 For Fixed Color Patterns, this register controls the twelfth byte of the fixed color pattern. |

7.6.20.29 PGEN_COLOR12
Table 240. PGEN_COLOR12 Register (Address 0x1C)

| BIT | FIELD | TYPE | DEFAULT | DESCRIPTION |
|-----|--------------|------|---------|--|
| 7:0 | PGEN_COLOR12 | R/W | 0x0 | Pattern Generator Color 12 For Fixed Color Patterns, this register controls the thirteenth byte of the fixed color pattern. |

7.6.20.30 PGEN_COLOR13
Table 241. PGEN_COLOR13 Register (Address 0x1D)

| BIT | FIELD | TYPE | DEFAULT | DESCRIPTION |
|-----|--------------|------|---------|--|
| 7:0 | PGEN_COLOR13 | R/W | 0x0 | Pattern Generator Color 13 For Fixed Color Patterns, this register controls the fourteenth byte of the fixed color pattern. |

7.6.20.31 PGEN_COLOR14
Table 242. PGEN_COLOR14 Register (Address 0x1E)

| BIT | FIELD | TYPE | DEFAULT | DESCRIPTION |
|-----|--------------|------|---------|---|
| 7:0 | PGEN_COLOR14 | R/W | 0x0 | Pattern Generator Color 14 For Fixed Color Patterns, this register controls the fifteenth byte of the fixed color pattern. |

7.6.20.32 PGEN_COLOR15
Table 243. PGEN_COLOR15 Register (Address 0x1F)

| BIT | FIELD | TYPE | DEFAULT | DESCRIPTION |
|-----|----------|------|---------|-------------|
| 7:0 | RESERVED | - | 0x0 | Reserved |

7.6.20.33 CSI0_TCK_PREP
Table 244. CSI0_TCK_PREP Register (Address 0x40)

| BIT | FIELD | TYPE | DEFAULT | DESCRIPTION |
|-----|----------------|----------|---------|---|
| 7 | MR_TCK_PREP_OV | R/W | 0 | Override CSI-2 Tck-prep parameter 0: Tck-prep is automatically determined 1: Override Tck-prep with value in bits 6:0 of this register |
| 6:0 | MR_TCK_PREP | R R/W | 0x5 | Tck-prep value If bit 7 of this register is 0, this field is read-only, indicating current automatically determined value. The default value is based on the 800 Mbps CSI-2 rate and may change if different rate is selected. If bit 7 of this register is 1, this field is read/write. |

7.6.20.34 CSI0_TCK_ZERO
Table 245. CSI0_TCK_ZERO Register (Address 0x41)

| BIT | FIELD | TYPE | DEFAULT | DESCRIPTION |
|-----|----------------|----------|---------|---|
| 7 | MR_TCK_ZERO_OV | R/W | 0 | Override CSI-2 Tck-zero parameter 0: Tck-zero is automatically determined 1: Override Tck-zero with value in bits 6:0 of this register |
| 6:0 | MR_TCK_ZERO | R R/W | 0x1B | Tck-zero value If bit 7 of this register is 0, this field is read-only, indicating current automatically determined value. The default value is based on the 800 Mbps CSI-2 rate and may change if different rate is selected. If bit 7 of this register is 1, this field is read/write. |

7.6.20.35 CSI0_TCK_TRAIL
Table 246. CSI0_TCK_TRAIL Register (Address 0x42)

| BIT | FIELD | TYPE | DEFAULT | DESCRIPTION |
|-----|-----------------|----------|---------|---|
| 7 | MR_TCK_TRAIL_OV | R/W | 0 | Override CSI-2 Tck-trail parameter 0: Tck-trail is automatically determined 1: Override Tck-trail with value in bits 6:0 of this register |
| 6:0 | MR_TCK_TRAIL | R R/W | 0x0B | Tck-trail value If bit 7 of this register is 0, this field is read-only, indicating current automatically determined value. The default value is based on the 800 Mbps CSI-2 rate and may change if different rate is selected. If bit 7 of this register is 1, this field is read/write. |

7.6.20.36 CSI0_TCK_POST
Table 247. CSI0_TCK_POST Register (Address 0x43)

| BIT | FIELD | TYPE | DEFAULT | DESCRIPTION |
|-----|----------------|----------|---------|--|
| 7 | MR_TCK_POST_OV | R/W | 0 | Override CSI-2 Tck-post parameter 0: Tck-post is automatically determined 1: Override Tck-post with value in bits 6:0 of this register |
| 6:0 | MR_TCK_POST | R R/W | 0x0A | Tck-post value If bit 7 of this register is 0, this field is read-only, indicating current automatically determined value. The default value is based on the 800 Mbps CSI-2 rate and may change if different rate is selected. If bit 7 of this register is 1, this field is read/write. |

7.6.20.37 CSI0_THS_PREP
Table 248. CSI0_THS_PREP Register (Address 0x44)

| BIT | FIELD | TYPE | DEFAULT | DESCRIPTION |
|-----|----------------|----------|---------|--|
| 7 | MR_THS_PREP_OV | R/W | 0 | Override CSI-2 Ths-prep parameter 0: Ths-prep is automatically determined 1: Override Ths-prep with value in bits 6:0 of this register |
| 6:0 | MR_THS_PREP | R R/W | 0x6 | Ths-prep value If bit 7 of this register is 0, this field is read-only, indicating current automatically determined value. The default value is based on the 800 Mbps CSI-2 rate and may change if different rate is selected. If bit 7 of this register is 1, this field is read/write. |

7.6.20.38 CSI0_THS_ZERO
Table 249. CSI0_THS_ZERO Register (Address 0x45)

| BIT | FIELD | TYPE | DEFAULT | DESCRIPTION |
|-----|----------------|----------|---------|--|
| 7 | MR_THS_ZERO_OV | R/W | 0 | Override CSI-2 Ths-zero parameter 0: Ths-zero is automatically determined 1: Override Ths-zero with value in bits 6:0 of this register |
| 6:0 | MR_THS_ZERO | R R/W | 0x0C | Ths-zero value If bit 7 of this register is 0, this field is read-only, indicating current automatically determined value. The default value is based on the 800 Mbps CSI-2 rate and may change if different rate is selected. If bit 7 of this register is 1, this field is read/write. |

7.6.20.39 CSI0_THS_TRAIL
Table 250. CSI0_THS_TRAIL Register (Address 0x46)

| BIT | FIELD | TYPE | DEFAULT | DESCRIPTION |
|-----|-----------------|----------|---------|--|
| 7 | MR_THS_TRAIL_OV | R/W | 0 | Override CSI-2 Ths-trail parameter 0: Ths-trail is automatically determined 1: Override Ths-trail with value in bits 6:0 of this register |
| 6:0 | MR_THS_TRAIL | R R/W | 0x8 | Ths-trail value If bit 7 of this register is 0, this field is read-only, indicating current automatically determined value. The default value is based on the 800 Mbps CSI-2 rate and may change if different rate is selected. If bit 7 of this register is 1, this field is read/write. |

7.6.20.40 CSI0_THS_EXIT
Table 251. CSI0_THS_EXIT Register (Address 0x47)

| BIT | FIELD | TYPE | DEFAULT | DESCRIPTION |
|-----|----------------|----------|---------|---|
| 7 | MR_THS_EXIT_OV | R/W | 0 | Override CSI-2 Ths-exit parameter 0: Ths-exit is automatically determined 1: Override Ths-exit with value in bits 6:0 of this register |
| 6:0 | MR_THS_EXIT | R R/W | 0x0B | Ths-exit value If bit 7 of this register is 0, this field is read-only, indicating current automatically determined value. The default value is based on the 800 Mbps CSI-2 rate and may change if different rate is selected. If bit 7 of this register is 1, this field is read/write. |

7.6.20.41 CSI0_TPLX
Table 252. CSI0_TPLX Register (Address 0x48)

| BIT | FIELD | TYPE | DEFAULT | DESCRIPTION |
|-----|------------|----------|---------|---|
| 7 | MR_TPLX_OV | R/W | 0 | Override CSI-2 Tplx parameter 0: Tplx is automatically determined 1: Override Tplx with value in bits 6:0 of this register |
| 6:0 | MR_TPLX | R R/W | 0x6 | Tplx value If bit 7 of this register is 0, this field is read-only, indicating current automatically determined value. The default value is based on the 800 Mbps CSI-2 rate and may change if different rate is selected. If bit 7 of this register is 1, this field is read/write. |

7.6.20.42 CSI1_TCK_PREP
Table 253. CSI1_TCK_PREP Register (Address 0x60)

| BIT | FIELD | TYPE | DEFAULT | DESCRIPTION |
|-----|----------------|----------|---------|---|
| 7 | MR_TCK_PREP_OV | R/W | 0 | Override CSI-2 Tck-prep parameter 0: Tck-prep is automatically determined 1: Override Tck-prep with value in bits 6:0 of this register |
| 6:0 | MR_TCK_PREP | R R/W | 0x5 | Tck-prep value If bit 7 of this register is 0, this field is read-only, indicating current automatically determined value. The default value is based on the 800 Mbps CSI-2 rate and may change if different rate is selected. If bit 7 of this register is 1, this field is read/write. |

7.6.20.43 CSI1_TCK_ZERO
Table 254. CSI1_TCK_ZERO Register (Address 0x61)

| BIT | FIELD | TYPE | DEFAULT | DESCRIPTION |
|-----|----------------|----------|---------|--|
| 7 | MR_TCK_ZERO_OV | R/W | 0 | Override CSI-2 Tck-zero parameter 0: Tck-zero is automatically determined 1: Override Tck-zero with value in bits 6:0 of this register |
| 6:0 | MR_TCK_ZERO | R R/W | 0x1B | Tck-zero value If bit 7 of this register is 0, this field is read-only, indicating current automatically determined value. The default value is based on the 800 Mbps CSI-2 rate and may change if different rate is selected. If bit 7 of this register is 1, this field is read/write. |

7.6.20.44 CSI1_TCK_TRAIL
Table 255. CSI1_TCK_TRAIL Register (Address 0x62)

| BIT | FIELD | TYPE | DEFAULT | DESCRIPTION |
|-----|-----------------|----------|---------|---|
| 7 | MR_TCK_TRAIL_OV | R/W | 0 | Override CSI-2 Tck-trail parameter 0: Tck-trail is automatically determined 1: Override Tck-trail with value in bits 6:0 of this register |
| 6:0 | MR_TCK_TRAIL | R R/W | 0x0B | Tck-trail value If bit 7 of this register is 0, this field is read-only, indicating current automatically determined value. The default value is based on the 800 Mbps CSI-2 rate and may change if different rate is selected. If bit 7 of this register is 1, this field is read/write. |

7.6.20.45 CSI1_TCK_POST
Table 256. CSI1_TCK_POST Register (Address 0x63)

| BIT | FIELD | TYPE | DEFAULT | DESCRIPTION |
|-----|----------------|----------|---------|--|
| 7 | MR_TCK_POST_OV | R/W | 0 | Override CSI-2 Tck-post parameter 0: Tck-post is automatically determined 1: Override Tck-post with value in bits 6:0 of this register |
| 6:0 | MR_TCK_POST | R R/W | 0x0A | Tck-post value If bit 7 of this register is 0, this field is read-only, indicating current automatically determined value. The default value is based on the 800 Mbps CSI-2 rate and may change if different rate is selected. If bit 7 of this register is 1, this field is read/write. |

7.6.20.46 CSI1_THS_PREP
Table 257. CSI1_THS_PREP Register (Address 0x64)

| BIT | FIELD | TYPE | DEFAULT | DESCRIPTION |
|-----|----------------|----------|---------|--|
| 7 | MR_THS_PREP_OV | R/W | 0 | Override CSI-2 Ths-prep parameter 0: Ths-prep is automatically determined 1: Override Ths-prep with value in bits 6:0 of this register |
| 6:0 | MR_THS_PREP | R R/W | 0x6 | Ths-prep value If bit 7 of this register is 0, this field is read-only, indicating current automatically determined value. The default value is based on the 800 Mbps CSI-2 rate and may change if different rate is selected. If bit 7 of this register is 1, this field is read/write. |

7.6.20.47 CSI1_THS_ZERO
Table 258. CSI1_THS_ZERO Register (Address 0x65)

| BIT | FIELD | TYPE | DEFAULT | DESCRIPTION |
|-----|----------------|----------|---------|---|
| 7 | MR_THS_ZERO_OV | R/W | 0 | Override CSI-2 Ths-zero parameter 0: Ths-zero is automatically determined 1: Override Ths-zero with value in bits 6:0 of this register |
| 6:0 | MR_THS_ZERO | R R/W | 0x0C | Ths-zero value If bit 7 of this register is 0, this field is read-only, indicating current automatically determined value. The default value is based on the 800 Mbps CSI-2 rate and may change if different rate is selected. If bit 7 of this register is 1, this field is read/write. |

7.6.20.48 CSI1_THS_TRAIL
Table 259. CSI1_THS_TRAIL Register (Address 0x66)

| BIT | FIELD | TYPE | DEFAULT | DESCRIPTION |
|-----|-----------------|----------|---------|--|
| 7 | MR_THS_TRAIL_OV | R/W | 0 | Override CSI-2 Ths-trail parameter 0: Ths-trail is automatically determined 1: Override Ths-trail with value in bits 6:0 of this register |
| 6:0 | MR_THS_TRAIL | R R/W | 0x8 | Ths-trail value If bit 7 of this register is 0, this field is read-only, indicating current automatically determined value. The default value is based on the 800 Mbps CSI-2 rate and may change if different rate is selected. If bit 7 of this register is 1, this field is read/write. |

7.6.20.49 CSI1_THS_EXIT
Table 260. CSI1_THS_EXIT Register (Address 0x67)

| BIT | FIELD | TYPE | DEFAULT | DESCRIPTION |
|-----|----------------|----------|---------|---|
| 7 | MR_THS_EXIT_OV | R/W | 0 | Override CSI-2 Ths-exit parameter 0: Ths-exit is automatically determined 1: Override Ths-exit with value in bits 6:0 of this register |
| 6:0 | MR_THS_EXIT | R R/W | 0x0B | Ths-exit value If bit 7 of this register is 0, this field is read-only, indicating current automatically determined value. The default value is based on the 800 Mbps CSI-2 rate and may change if different rate is selected. If bit 7 of this register is 1, this field is read/write. |

7.6.20.50 CSI1_TPLX
Table 261. CSI1_TPLX Register (Address 0x68)

| BIT | FIELD | TYPE | DEFAULT | DESCRIPTION |
|-----|------------|----------|---------|---|
| 7 | MR_TPLX_OV | R/W | 0 | Override CSI-2 Tplx parameter 0: Tplx is automatically determined 1: Override Tplx with value in bits 6:0 of this register |
| 6:0 | MR_TPLX | R R/W | 0x6 | Tplx value If bit 7 of this register is 0, this field is read-only, indicating current automatically determined value. The default value is based on the 800 Mbps CSI-2 rate and may change if different rate is selected. If bit 7 of this register is 1, this field is read/write. |

LEGEND:

- R = Read only access
- R/LL = Read only access / Latched Low and held until read
- R/RC = Read only, Read to Clear
- R/S = Read only access / set based on Strap pin configuration at startup
- R/W = Read / Write access
- R/W/S = Read / Write access / Set based on strap pin configuration at startup
- R/W/SC = Read / Write access / Self-Clearing

8 Application and Implementation

注

Information in the following applications sections is not part of the TI component specification, and TI does not warrant its accuracy or completeness. TI's customers are responsible for determining suitability of components for their purposes. Customers should validate and test their design implementation to confirm system functionality.

8.1 Application Information

The DS90UB960-Q1 is a highly integrated sensor hub deserializer which includes four FPD-Link III inputs targeted at ADAS applications, such as front/rear/surround-view camera sensors, driver monitoring systems, and sensor fusion.

8.1.1 Power Over Coax

The DS90UB960-Q1 is designed to support the Power-over-Coax (PoC) method of powering remote sensor systems. With this method, the power is delivered over the same medium (a coaxial cable) used for high-speed digital video data and bidirectional control and diagnostics data transmission. The method uses passive networks or filters that isolate the transmission line from the loading of the DC-DC regulator circuits and their connecting power traces on both sides of the link as shown in 图 39.

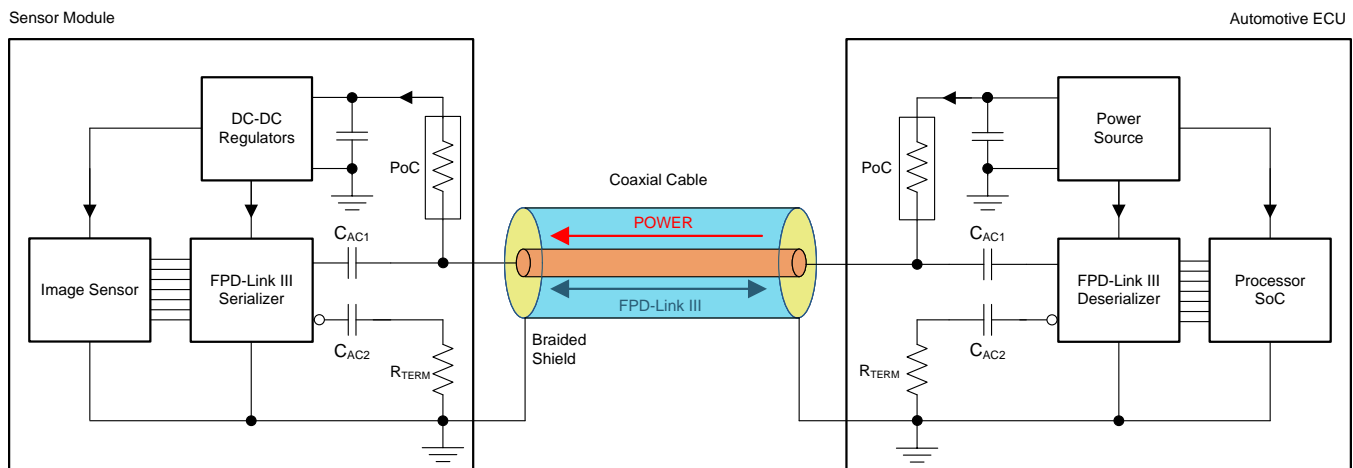


图 39. Power-Over-Coax (PoC) System Diagram

The PoC networks' impedance of $\geq 1 \text{ k}\Omega$ over a specific frequency band is typically sufficient to isolate the transmission line from the loading of the regulator circuits provided good layout practices are followed and the PCB return loss requirements given in 表 264 are met. The lower limit of the frequency band is defined as $\frac{1}{2} f_{BC}$. The upper limit of the frequency band is the frequency of the forward high-speed channel, f_{FC} .

图 40 shows a PoC network recommended for a "4G" FPD-Link III consisting of DS90UB953-Q1 and DS90UB960-Q1 pair with the bidirectional channel operating at 50 Mbps ($\frac{1}{2} f_{BC} = 25 \text{ MHz}$) and the forward channel operating at 4.16 Gbps ($f_{FC} \approx 2.1 \text{ GHz}$). Other PoC networks are possible and may be different on the serializer and deserializer boards as long as the PCB board return loss requirements given in 表 264 are met.

Application Information (接下页)

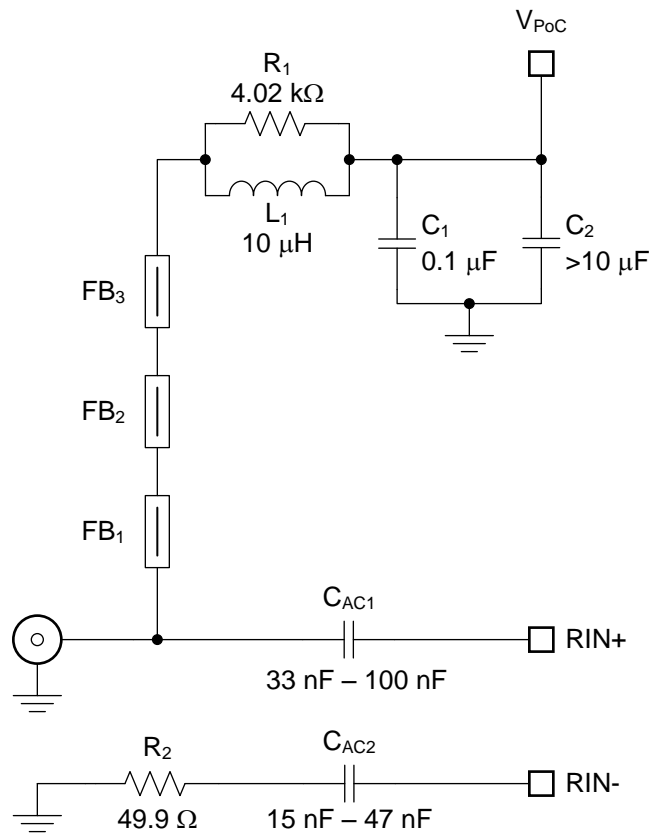


图 40. Typical PoC Network for a "4G" FPD-Link III

表 262 lists essential components for this particular PoC network. Note that the impedance characteristic of the ferrite beads deviates with the bias current, therefore keeping the current going through the network below 250 mA is recommended.

表 262. Suggested Components for a "4G" FPD-Link PoC Network

| Count | Ref Des | Description | Part Number | MFR |
|-------|---------|--|------------------|--------|
| 1 | L1 | Inductor, 10 μH, 0.288 Ω max, 530 mA MIN (Isat, Itemp) 30 MHz SRF min, 3 mm x 3 mm, General-Purpose | LQH3NPN100MJR | Murata |
| | | Inductor, 10 μH, 0.288 Ω max, 530 mA MIN (Isat, Itemp) 30 MHz SRF min, 3 mm x 3 mm, AEC-Q200 | LQH3NPZ100MJR | Murata |
| | | Inductor, 10 μH, 0.360 Ω max, 450 mA MIN (Isat, Itemp) 30 MHz SRF min, 3.2 mm x 2.5 mm, AEC-Q200 | NLCV32T-100K-EFD | TDK |
| | | Inductor, 10 μH, 0.400 Ω typ, 550 mA MIN (Isat, Itemp) 39 MHz SRF typ, 3 mm x 3 mm, AEC-Q200 | TYS3010100M-10 | Laird |
| | | Inductor, 10 μH, 0.325 Ω max, 725 mA MIN (Isat, Itemp) 41 MHz SRF typ, 3 mm x 3 mm, AEC-Q200 | TYS3015100M-10 | Laird |
| 3 | FB1-FB3 | Ferrite Bead, 1500 kΩ at 1 GHz, 0.5 Ω max at DC 500 mA at 85°C, SM0603, General-Purpose | BLM18HE152SN1 | Murata |
| | | Ferrite Bead, 1500 kΩ at 1 GHz, 0.5 Ω max at DC 500 mA at 85°C, SM0603, AEC-Q200 | BLM18HE152SZ1 | Murata |

图 41 shows a PoC network recommended for a "2G" FPD-Link III consisting of a DS90UB913A-Q1 or DS90UB933-Q1 serializer and DS90UB960-Q1 with the bidirectional channel operating at the data rate of 2.5 Mbps ($\frac{1}{2} f_{BC} = 1.25$ MHz) and the forward channel operating at the data rate as high as 1.87 Gbps ($f_{FC} \approx 1$ GHz).

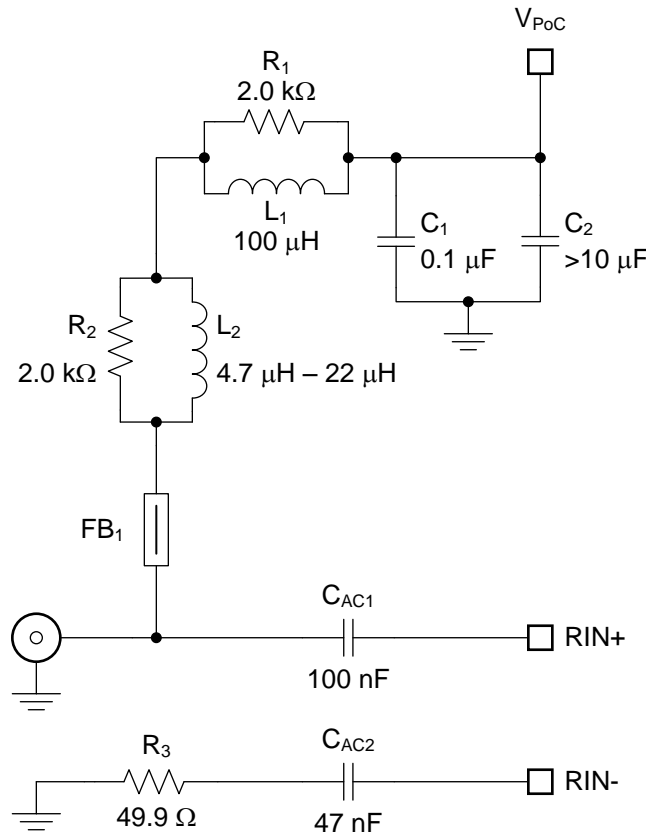


图 41. Typical PoC Network for a "2G" FPD-Link III

表 263 lists essential components for this particular PoC network.

表 263. Suggested Components for a "2G" FPD-Link III PoC Network

| Count | Ref Des | Description | Part Number | MFR |
|-------|---------|--|------------------|-------------|
| 1 | L1 | Inductor, 100 μ H, 0.310 Ω max, 710 mA MIN (Isat, Itemp) 7.2 MHz SRF typ, 6.6 mm x 6.6 mm, AEC-Q200 | MSS7341-104ML | Coilcraft |
| | | Inductor, 100 μ H, 0.606 Ω max, 750 mA MIN (Isat, Itemp) 7.2 MHz SRF typ, 6.0 mm x 6.0 mm, AEC-Q200 | NRS6045T101MMGKV | Taiyo Yuden |
| 1 | L2 | Inductor, 4.7 μ H, 0.350 Ω max, 700 mA MIN (Isat, Itemp) 160 MHz SRF typ, 3.8 mm x 3.8 mm, AEC-Q200 | 1008PS-472KL | Coilcraft |
| | | Inductor, 4.7 μ H, 0.130 Ω max, 830 mA MIN (Isat, Itemp), 70 MHz SRF typ, 3.2 mm x 2.5 mm, General Purpose | CBC3225T4R7MRV | Taiyo Yuden |
| | | Inductor, 10 μ H, 0.288 Ω max, 530 mA MIN (Isat, Itemp) 30 MHz SRF min, 3 mm x 3 mm, AEC-Q200 | LQH3NPZ100MJR | Murata |
| 1 | FB1 | Ferrite Bead, 1500 k Ω at 1 GHz, 0.5 Ω max at DC 500 mA at 85°C, SM0603, General Purpose | BLM18HE152SN1 | Murata |
| | | Ferrite Bead, 1500 k Ω at 1 GHz, 0.5 Ω max at DC 500 mA at 85°C, SM0603, AEC-Q200 | BLM18HE152SZ1 | Murata |

Application report [Sending Power over Coax in DS90UB913A Designs](#) (SNLA224) discusses defining PoC networks in more detail.

In addition to the PoC network components selection, their placement and layout play a critical role as well.

- Place the smallest component, typically a ferrite bead or a chip inductor, as close to the connector as

possible. Route the high-speed trace through one of its pads to avoid stubs.

- Use the smallest component pads as allowed by manufacturer's design rules. Add anti-pads in the inner planes below the component pads to minimize impedance drop.
- Consult with connector manufacturer for optimized connector footprint.
- Use coupled 100-Ω differential signal traces from the device pins to the AC-coupling caps. Use 50-Ω single-ended traces from the AC-coupling capacitors to the connector.
- Terminate the inverting signal traces close to the connectors with standard 49.9-Ω resistors.

The suggested characteristics for single-ended PCB traces (microstrips or striplines) for serializer or deserializer boards are detailed in [表 264](#). The effects of the PoC networks need to be accounted for when testing the traces for compliance to the suggested limits.

表 264. Suggested Characteristics for Single-Ended PCB Traces With Attached PoC Networks

| PARAMETER | | MIN | TYP | MAX | UNIT |
|--------------------|--|---|-----|-----------------|------|
| L_{trace} | Single-ended PCB trace length from the device pin to the connector pin | | | 5 | cm |
| Z_{trace} | Single-ended PCB trace characteristic impedance | 45 | 50 | 55 | Ω |
| Z_{con} | Connector (mounted) characteristic impedance | 40 | 50 | 62.5 | Ω |
| RL | Return Loss, S11 | $\frac{1}{2} f_{\text{BC}} < f < 0.1 \text{ GHz}$ | | -20 | dB |
| | | $0.1 \text{ GHz} < f < 1 \text{ GHz}$ (f in GHz) | | $-12+8*\log(f)$ | dB |
| | | $1 \text{ GHz} < f < f_{\text{FC}}$ | | -12 | dB |
| IL | Insertion Loss, S12 | $f < 0.5 \text{ GHz}$ | | -0.35 | dB |
| | | $f = 1 \text{ GHz}$ | | -0.6 | dB |
| | | $f = 2.1 \text{ GHz}$ | | -1.2 | dB |

The V_{POC} noise must be kept to 10 mVp-p or lower on the source / deserializer side of the system. The V_{POC} fluctuations on the serializer side, caused by the sensor's transient current draw and the DC resistance of cables and PoC components, must be kept at minimum as well. Increasing the V_{POC} voltage and adding extra decoupling capacitance ($> 10 \mu\text{F}$) help reduce the amplitude and slew rate of the V_{POC} fluctuations.

8.2 Typical Application

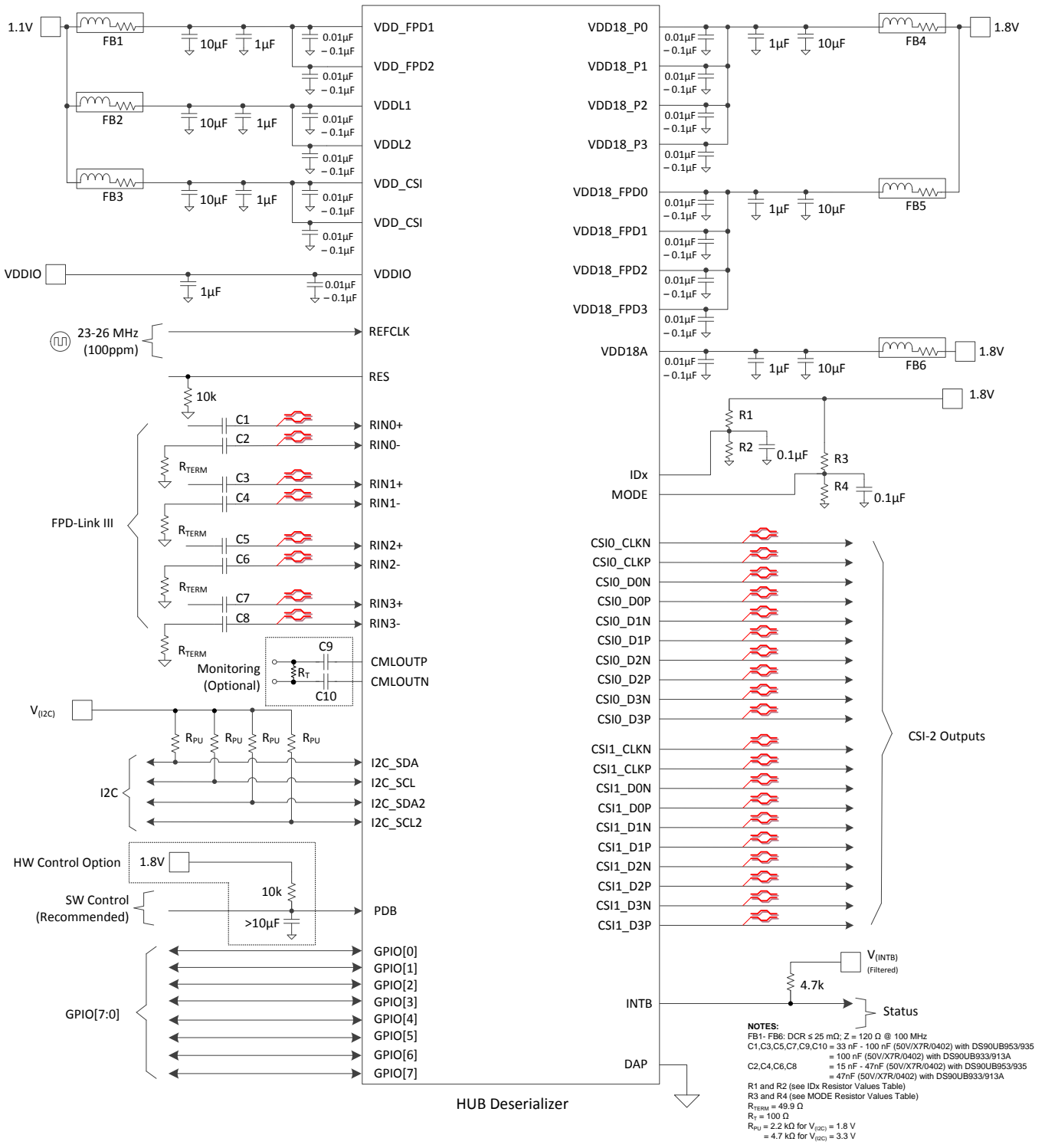
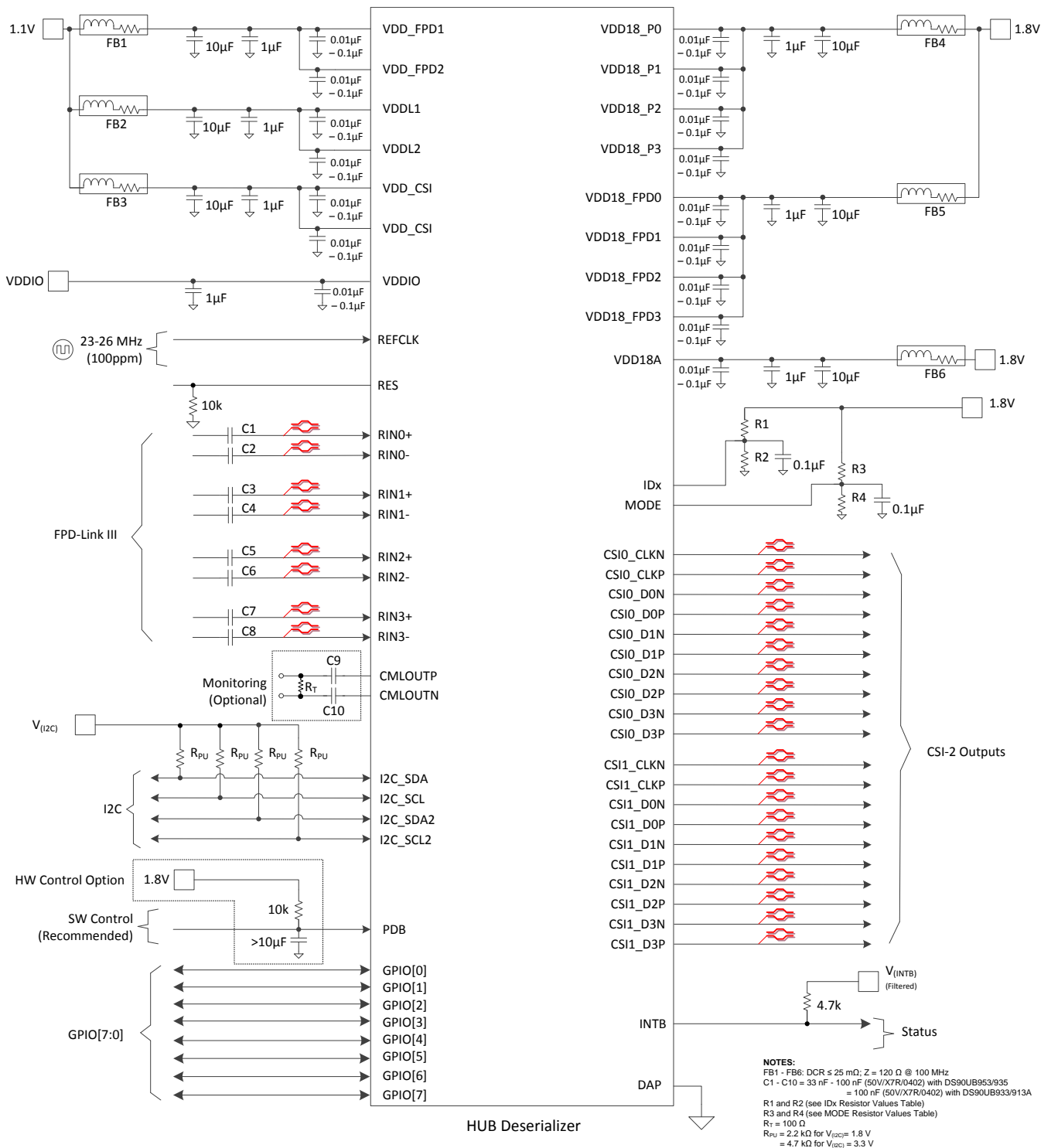


图 42. Typical Connection Diagram (Coaxial)

Typical Application (接下页)



Copyright © 2018, Texas Instruments Incorporated

图 43. Typical Connection Diagram (STP / STQ)

Typical Application (接下页)

8.2.1 Design Requirements

For the typical design application, use the parameters listed in 表 265.

表 265. Design Parameters

| DESIGN PARAMETER | EXAMPLE VALUE |
|---|-------------------------------|
| VDDIO | 1.8 V or 3.3 V |
| VDD11 | 1.1 V |
| VDD18 | 1.8 V |
| AC Coupling Capacitor for STP with 953 / 935: RIN[3:0]± | 33 nF - 100 nF (50V/X7R/0402) |
| AC Coupling Capacitor for Coaxial with 953 / 935: RIN[3:0]+ | 33 nF - 100 nF (50V/X7R/0402) |
| AC Coupling Capacitor for Coaxial with 953 / 935: RIN[3:0]- | 15 nF - 47 nF (50V/X7R/0402) |
| AC-Coupling Capacitor for STP with 933A / 913A: RIN[3:0]± | 100 nF (50V/X7R/0402) |
| AC-Coupling Capacitor for Coaxial with 933A / 913A: RIN[3:0]+ | 100 nF (50V/X7R/0402) |
| AC-Coupling Capacitor for Coaxial with 933A / 913A: RIN[3:0]- | 47 nF (50V/X7R/0402) |

The SER/DES supports only AC-coupled interconnects through an integrated DC-balanced decoding scheme. External AC-coupling capacitors must be placed in series in the FPD-Link III signal path as shown in 图 44. For applications utilizing single-ended 50-Ω coaxial cable, terminate the unused data pins (RIN0-, RIN1-, RIN2-, RIN3-) with an AC-coupling capacitor and a 50-Ω resistor.

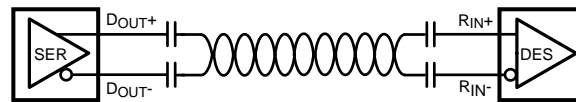


图 44. AC-Coupled Connection (STP)

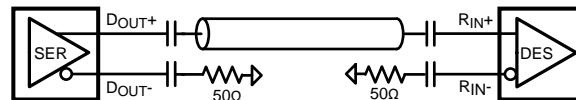


图 45. AC-Coupled Connection (Coaxial)

For high-speed FPD-Link III transmissions, use the smallest available package for the AC-coupling capacitor to help minimize degradation of signal quality due to package parasitics.

8.2.2 Detailed Design Procedure

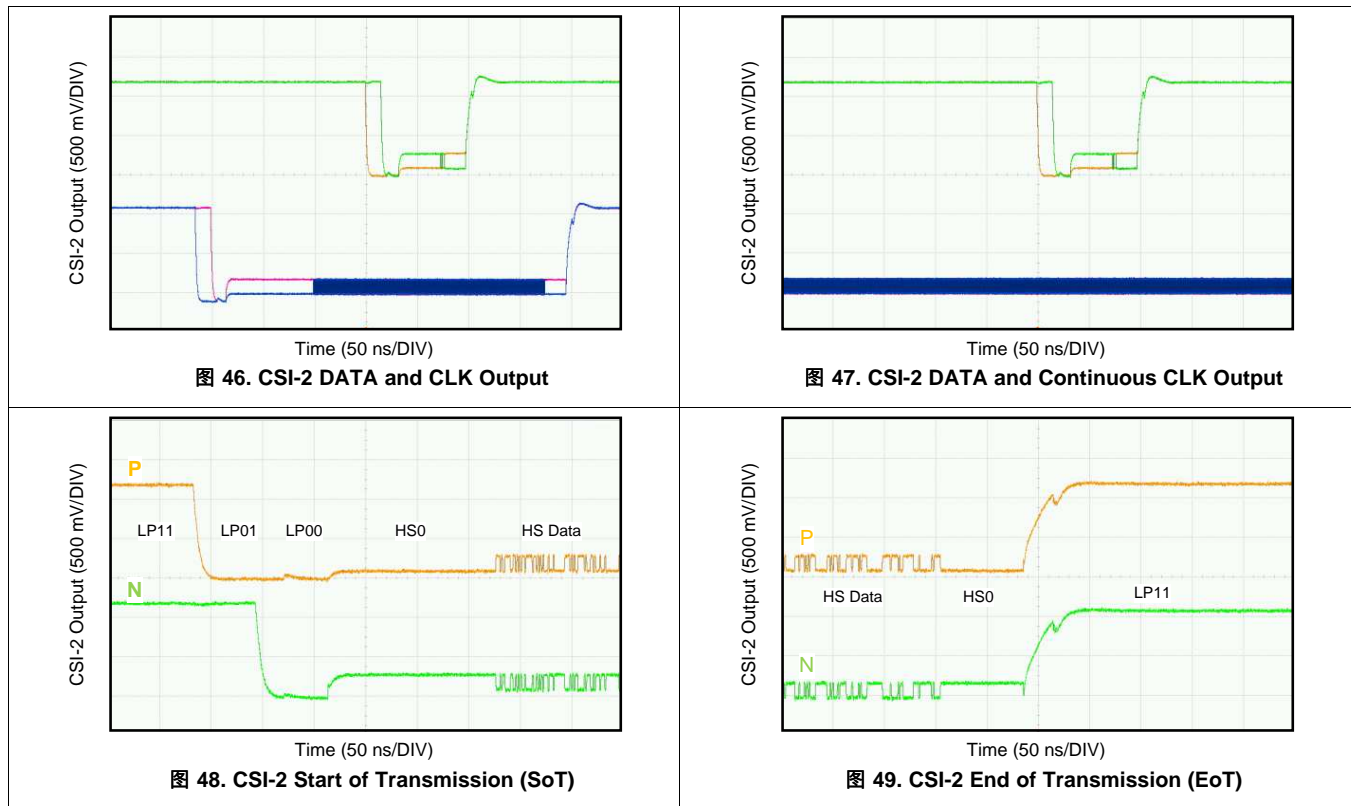
图 50 through 图 55 show typical applications of the DS90UB960-Q1 for multi-camera surround view system. The FPD-Link III must have an external 33-nF to 100-nF / 15-nF to 47-nF, AC-coupling capacitors for coaxial interconnects. The same AC-coupling capacitor values should be matched on the paired serializer boards. The deserializer has an internal termination. Bypass capacitors are placed near the power supply pins. At a minimum, 0.1-μF or 0.01-μF capacitors should be used for each of the core supply pins for local device bypassing. Ferrite beads are placed on the VDD18 and VDD11 supplies for effective noise suppression.

DS90UB960-Q1

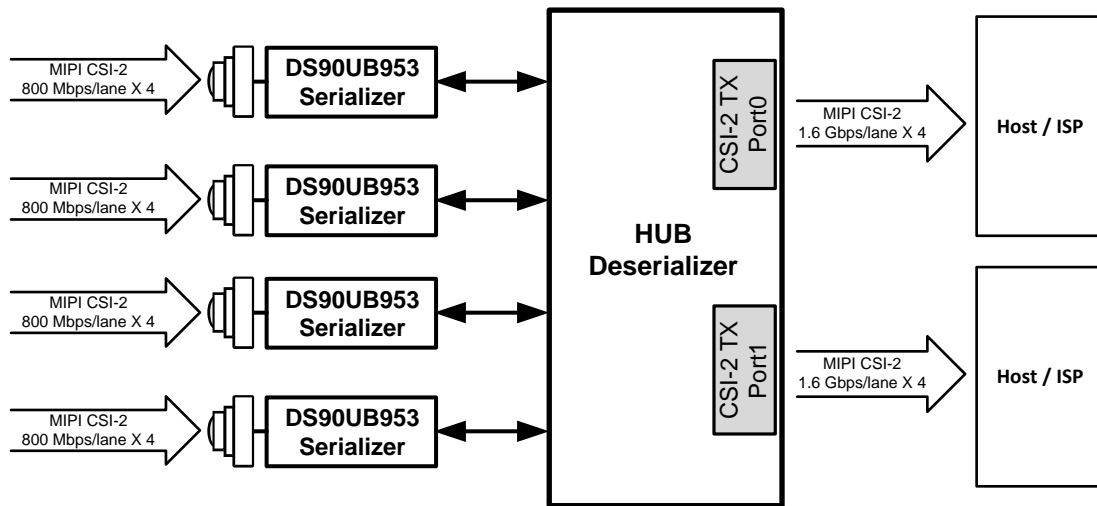
ZHCSIG1B – SEPTEMBER 2016 – REVISED JULY 2018

www.ti.com.cn

8.2.3 Application Curves



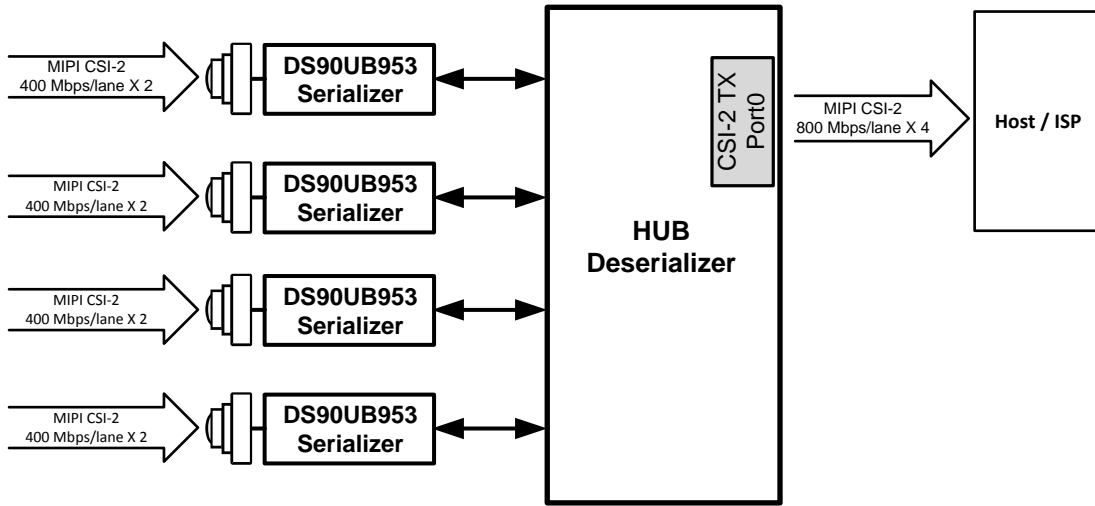
8.3 System Examples



Copyright © 2018, Texas Instruments Incorporated

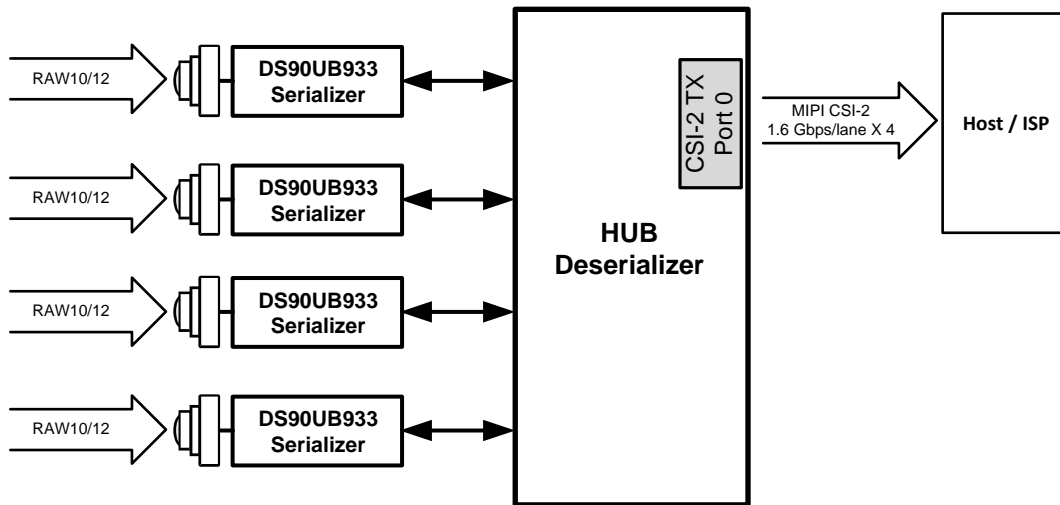
图 50. Four DS90UB953-Q1 Sensor Data Onto CSI-2 Over 2 Ports

System Examples (接下一页)



Copyright © 2018, Texas Instruments Incorporated

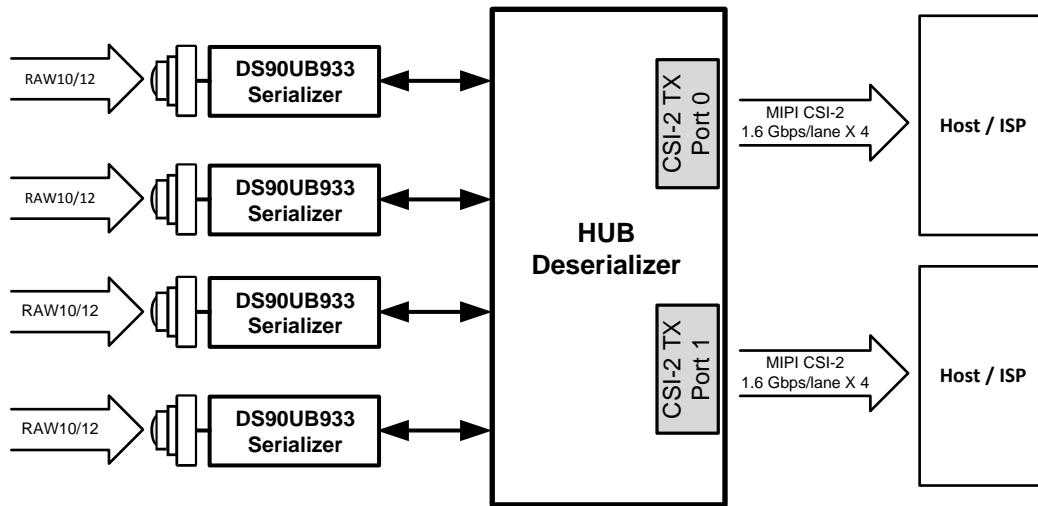
图 51. Four DS90UB953-Q1 Sensor Data Onto CSI-2 Over 1 Port



Copyright © 2018, Texas Instruments Incorporated

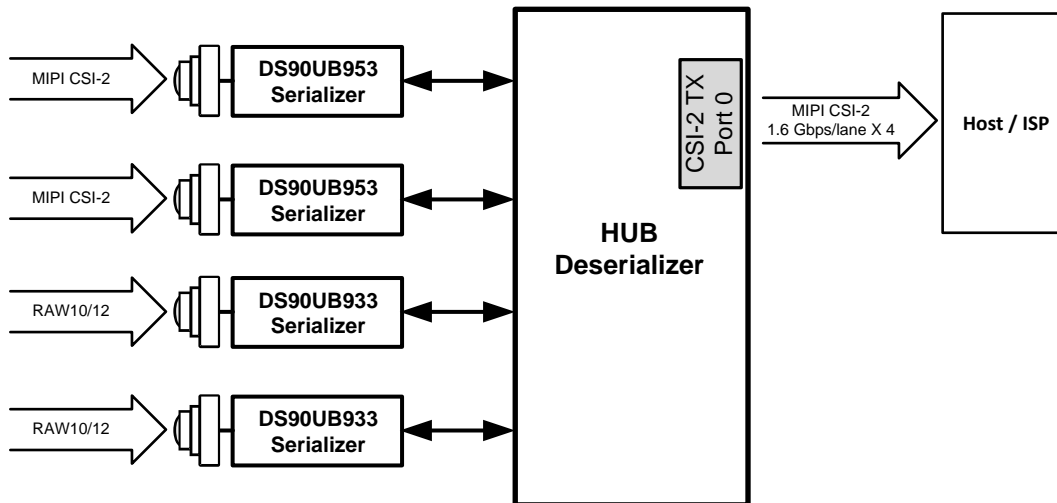
图 52. Four DS90UB933-Q1 Sensor Data Onto CSI-2 Over 1 Port

System Examples (接下一页)



Copyright © 2018, Texas Instruments Incorporated

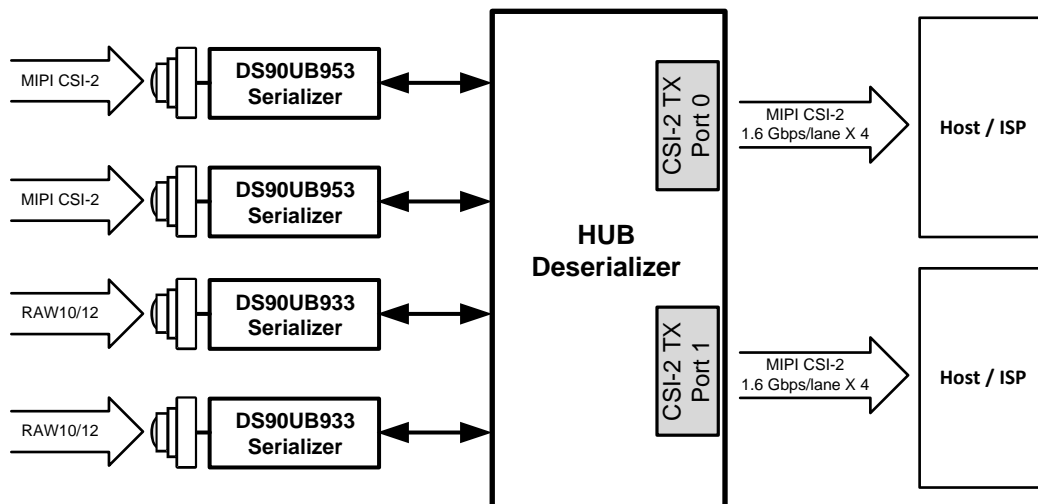
图 53. Four DS90UB933-Q1 Sensor Data Onto CSI-2 Over 2 Ports



Copyright © 2018, Texas Instruments Incorporated

图 54. Two DS90UB933-Q1 and Two DS90UB953-Q1 Sensor Data Onto CSI-2 Over 1 Port

System Examples (接下页)



Copyright © 2018, Texas Instruments Incorporated

图 55. Two DS90UB933-Q1 and Two DS90UB953-Q1 Sensor Data Onto CSI-2 Over 2 Ports

9 Power Supply Recommendations

This device provides separate power and ground pins for different portions of the circuit. This is done to isolate switching noise effects between different sections of the circuit. Separate planes on the PCB are typically not required. The [Pin Configuration and Functions](#) section provides guidance on which circuit blocks are connected to which power pin pairs. In some cases, an external filter may be used to provide clean power to sensitive circuits such as PLLs.

9.1 VDD Power Supply

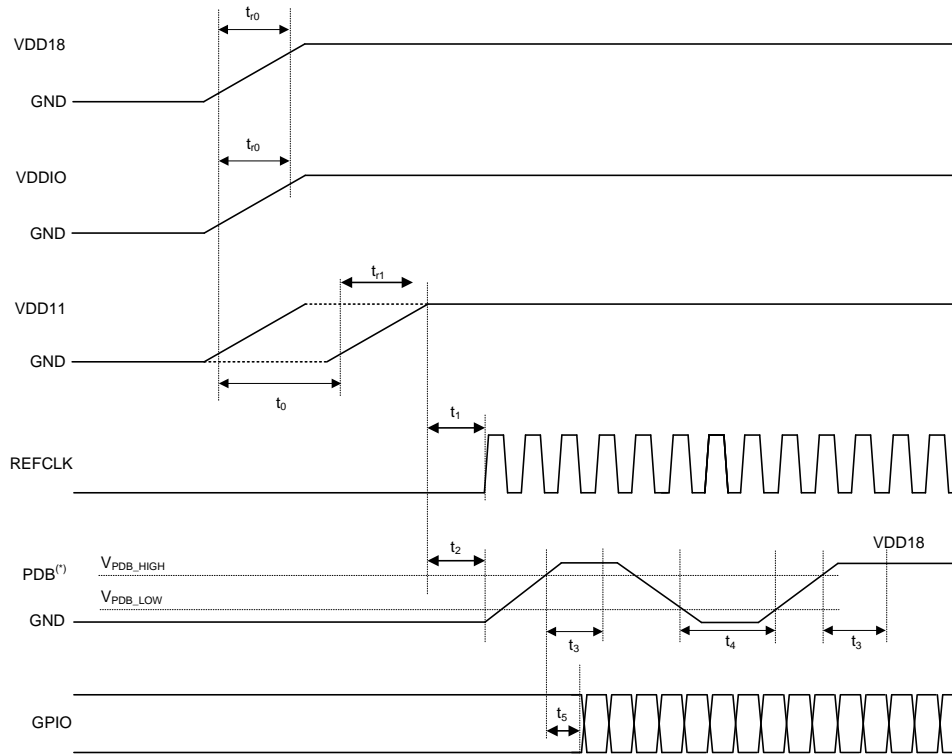
Each VDD power supply pin must have a 10-nF (or 100-nF) capacitor to ground connected as close as possible to DS90UB960-Q1 device. TI recommends having additional decoupling capacitors (1 μ F and 10 μ F) and the pins connected to a solid power plane.

9.2 Power-Up Sequencing

The power-up sequence for the DS90UB960-Q1 is as follows:

表 266. Timing Diagram for the Power-Up Sequence

| | PARAMETER | MIN | TYP | MAX | UNIT | NOTES |
|----------|---|------|-----|-----|------|---|
| t_{r0} | VDD18 / VDDIO rise time | 0.2 | | | ms | @10/90% |
| t_{r1} | VDD11 rise time | 0.05 | | | ms | @10/90% |
| t_0 | VDD18 / VDDIO to VDD11 delay | 0 | | | ms | |
| t_1 | VDDx to REFCLK delay | 0 | | | ms | Keep REFCLK low until all supplies are up and stable. |
| t_2 | VDDx to PDB delay | 0 | | | ms | Release PDB after all supplies are up and stable. |
| t_3 | PDB to I2C ready (IDX and MODE valid) delay | 2 | | | ms | |
| t_4 | PDB pulse width | 2 | | | ms | Hard reset |
| t_5 | PDB to GPIO delay | 0 | | | ms | Keep GPIOs low or high until PDB is high. |



⁽¹⁾ It is recommended to assert PDB (active High) with a microcontroller rather than an RC filter network to help ensure proper sequencing of PDB pin after settling of power supplies.

Copyright © 2018, Texas Instruments Incorporated

图 56. Power-Up Sequencing

9.2.1 PDB Pin

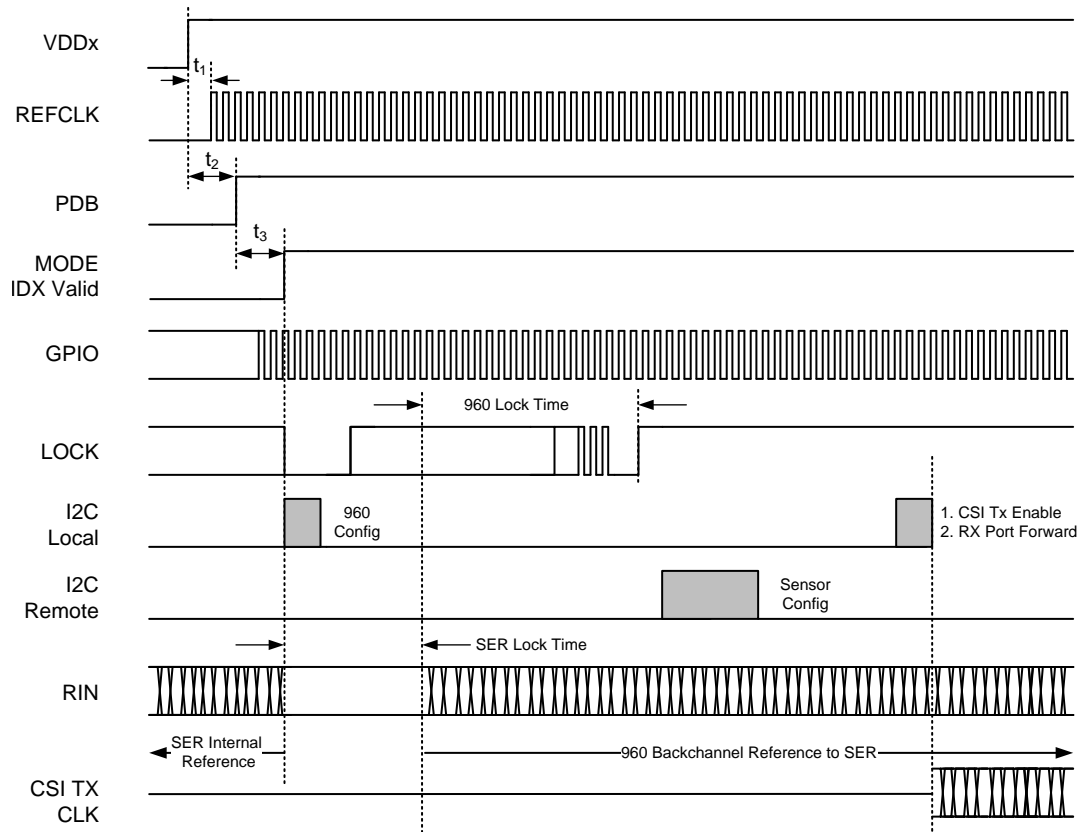
The PDB pin is active HIGH and must remain LOW while the VDD pin power supplies are in transition. An external RC network on the PDB pin may be connected to ensure PDB arrives after all the supply pins have settled to the recommended operating voltage. When PDB pin is pulled up to VDD18, a 10-kΩ pullup and a > 10-μF capacitor to GND are required to delay the PDB input signal rise. All inputs must not be driven until both power supplies have reached steady state.

表 267. PDB Reset Signal Pulse Width

| PARAMETER | TEST CONDITIONS | MIN | TYP | MAX | UNIT |
|------------|---------------------|-----|-----|-----|------|
| PDB | | | | | |
| tLRST | PDB Reset Low Pulse | 2 | | | ms |

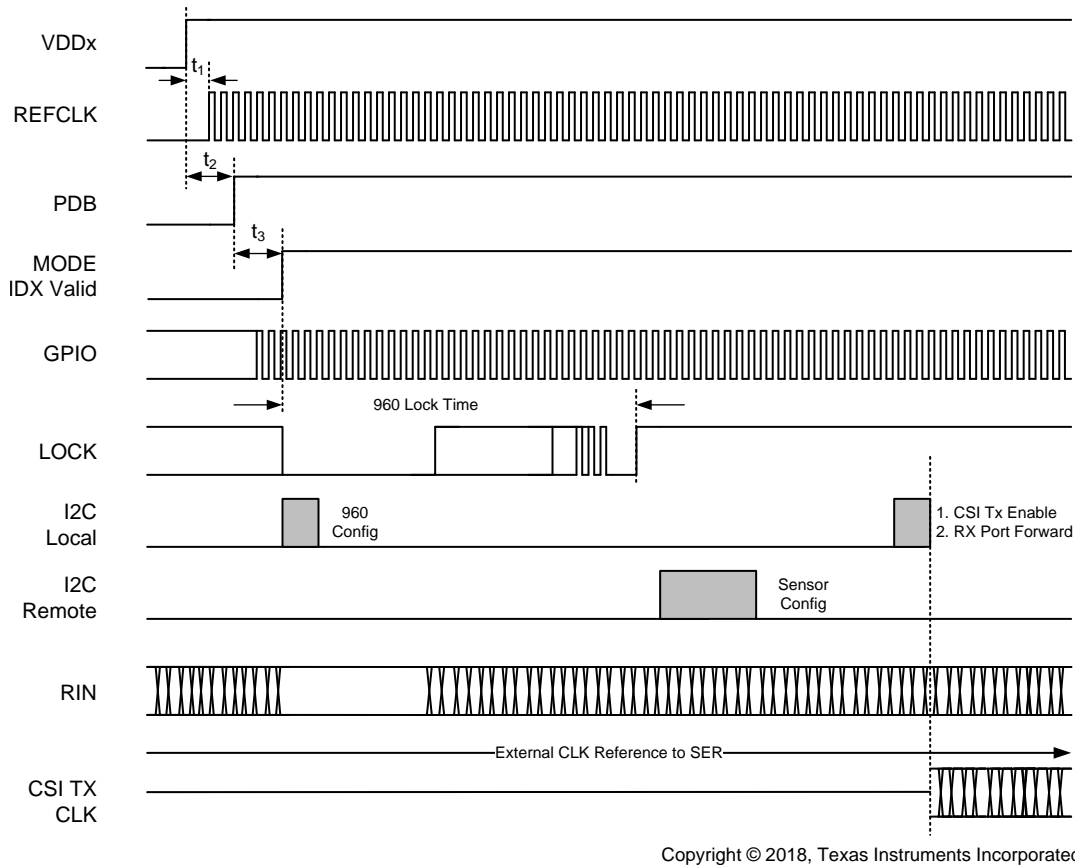
9.2.2 System Initialization

When initializing the communications link between the DS90UB960-Q1 deserializer hub and a DS90UB953-Q1 serializer, the system timing will depend on the mode selected for generating the serializer reference clock. When synchronous clocking mode is selected, the serializer will re-lock onto the extracted back channel reference clock once available so there is no need for local crystal oscillator at the sensor module (图 57). When the DS90UB953-Q1 is operating in non-synchronous mode, or if connecting to DS90UB933-Q1 or DS90UB913A-Q1 serializer the sensor module requires a local reference clock and timing would follow 图 58.



Copyright © 2018, Texas Instruments Incorporated

图 57. Power-Up Sequencing with Synchronous Clacking Mode



Copyright © 2018, Texas Instruments Incorporated

图 58. Power-Up Sequencing with Non-synchronous Clocking Mode

10 Layout

10.1 Layout Guidelines

Circuit board layout and stack-up for the FPD-Link III devices must be designed to provide low-noise power feed to the device. Good layout practice also separates high frequency or high-level inputs and outputs to minimize unwanted stray noise pickup, feedback, and interference. Power system performance may be greatly improved by using thin dielectrics (2 to 4 mils) for power/ground sandwiches. This arrangement provides plane capacitance for the PCB power system with low-inductance parasitics, which has proven especially effective at high frequencies, and makes the value and placement of external bypass capacitors less critical. External bypass capacitors should include both RF ceramic and tantalum electrolytic types. RF capacitors may use values in the range of 0.01 μF to 0.1 μF . Ceramic capacitors may be in the 2.2- μF to 10- μF range. The voltage rating of the ceramic capacitors must be at least 5x the power supply voltage being used

TI recommends surface-mount capacitors due to their smaller parasitics. When using multiple capacitors per supply pin, locate the smaller value closer to the pin. A large bulk capacitor is recommended at the point of power entry. This is typically in the 50- μF to 100- μF range, which smooths low frequency switching noise. TI recommends connecting power and ground pins directly to the power and ground planes with bypass capacitors connected to the plane with via on both ends of the capacitor. Connecting power or ground pins to an external bypass capacitor increases the inductance of the path.

Layout Guidelines (接下页)

A small body size X7R chip capacitor, such as 0603 or 0402, is recommended for external bypass. Its small body size reduces the parasitic inductance of the capacitor. The user must pay attention to the resonance frequency of these external bypass capacitors, usually in the range of 20 to 30 MHz. To provide effective bypassing, multiple capacitors are often used to achieve low impedance between the supply rails over the frequency of interest. At high frequency, it is also a common practice to use two vias from power and ground pins to the planes, reducing the impedance at high frequency.

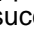
Some devices provide separate power and ground pins for different portions of the circuit. This is done to isolate switching noise effects between different sections of the circuit. Separate planes on the PCB are typically not required. Pin Description tables typically provide guidance on which circuit blocks are connected to which power pin pairs. In some cases, an external filter may be used to provide clean power to sensitive circuits such as PLLs.

Use at least a four-layer board with a power and ground plane. Locate LVCMOS signals away from the differential lines to prevent coupling from the LVCMOS lines to the differential lines. Differential impedance of 100 Ω are typically recommended for STP interconnect and single-ended impedance of 50 Ω for coaxial interconnect. The closely coupled lines help to ensure that coupled noise appears as common-mode and thus is rejected by the receivers. The tightly coupled lines also radiate less.

10.1.1 Ground

TI recommends that a consistent ground plane reference for the high speed signals in the PCB design to provide the best image plane for signal traces running parallel to the plane. Connect the thermal pad of the DS90UB960-Q1 to this plane with vias.

10.1.2 Routing FPD-Link III Signal Traces and PoC Filter

Routing the FPD-Link III signal traces between the R_{IN} pins and the connector as well as connecting the PoC filter to these traces are the most critical pieces of a successful DS90UB960-Q1 PCB layout.  59 shows an example PCB layout of the DS90UB960-Q1 configured for interface to remote sensor modules over coaxial cables. The layout example also uses a footprint of an edge-mount Quad Mini-FAKRA connector provided by Rosenberger. For additional PCB layout details of the example, check the DS90UB960-Q1EVM User's Guide.

The following list provides essential recommendations for routing the FPD-Link III signal traces between the DS90UB960-Q1 receiver input pins (R_{IN}) and the FAKRA connector, and connecting the PoC filter.

- The routing of the FPD-Link III traces may be all on the top layer (as shown in the example) or partially embedded in middle layers if EMI is a concern
- The AC-coupling capacitors should be on the top layer and very close to the DS90UB960-Q1 receiver input pins to minimize the length of coupled differential trace pair between the pins and the capacitors.
- Route the R_{IN+} trace between the AC-coupling capacitor and the FAKRA connector as a 50- Ω single-ended micro-strip with tight impedance control ($\pm 10\%$). Calculate the proper width of the trace for a 50- Ω impedance based on the PCB stack-up. Ensure that the trace can carry the PoC current for the maximum load presented by the remote sensor module.
- The PoC filter should be connected to the R_{IN+} trace through the first ferrite bead (FB_1). The FB_1 should be touching the high-speed trace to minimize the stub length seen by the transmission line. Create an anti-pad or a moat under the FB_1 pad that touches the trace. The anti-pad should be a plane cutout of the ground plane directly underneath the top layer without cutting out the ground reference under the trace. The purpose of the anti-pad is to maintain the impedance as close to 50 Ω as possible.
- Route the R_{IN-} trace with minimum coupling to the R_{IN+} trace ($S > 3W$).
- Consult with connector manufacturer for optimized connector footprint. If the connector is mounted on the same side as the IC, minimize the impact of the thru-hole connector stubs by routing the high-speed signal traces on the opposite side of the connector mounting side.

When configured for STP and routing differential signals to the DS90UB960-Q1 receiver inputs, the traces should maintain 100- Ω differential impedance routed to the connector. When choosing to implement a common mode choke for common mode noise reduction, take care to minimize the effect of any mismatch.

10.1.3 CSI-2 Guidelines

1. Route $CS10_D^*P/N$ and $CS11_D^*P/N$ pairs with controlled 100- Ω differential impedance ($\pm 20\%$) or 50- Ω

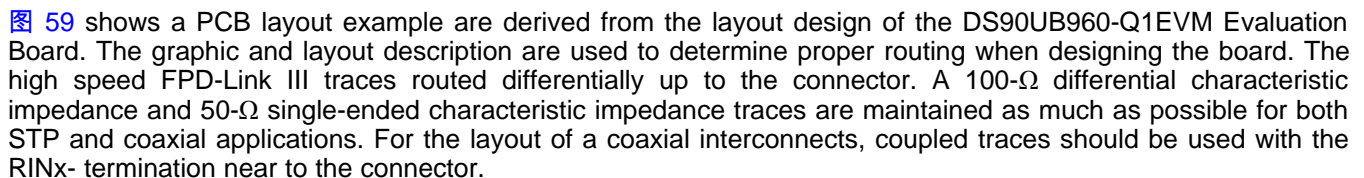
Layout Guidelines (接下页)

- single-ended impedance ($\pm 15\%$).
- 2. Keep away from other high-speed signals.
- 3. Keep intra-pair length mismatch to < 5 mils.
- 4. Keep inter-pair length mismatch to < 50 mils within a single CSI-2 TX port. CSI-2 TX Port 0 differential traces do not need to match CSI-2 Port 1 differential traces.
- 5. Length matching should be near the location of mismatch.
- 6. Each pair should be separated at least by 3 times the signal trace width.
- 7. Keep the use of bends in differential traces to a minimum. When bends are used, the number of left and right bends must be as equal as possible, and the angle of the bend should be ≥ 135 degrees. This arrangement minimizes any length mismatch caused by the bends and therefore minimizes the impact that bends have on EMI.
- 8. Route all differential pairs on the same layer.
- 9. Keep the number of VIAS to a minimum — TI recommends keeping the VIA count to 2 or fewer.
- 10. Keep traces on layers adjacent to ground plane.
- 11. Do NOT route differential pairs over any plane split.
- 12. Adding Test points causes impedance discontinuity and therefore negatively impacts signal performance. If test points are used, place them in series and symmetrically. Test points must not be placed in a manner that causes a stub on the differential pair.

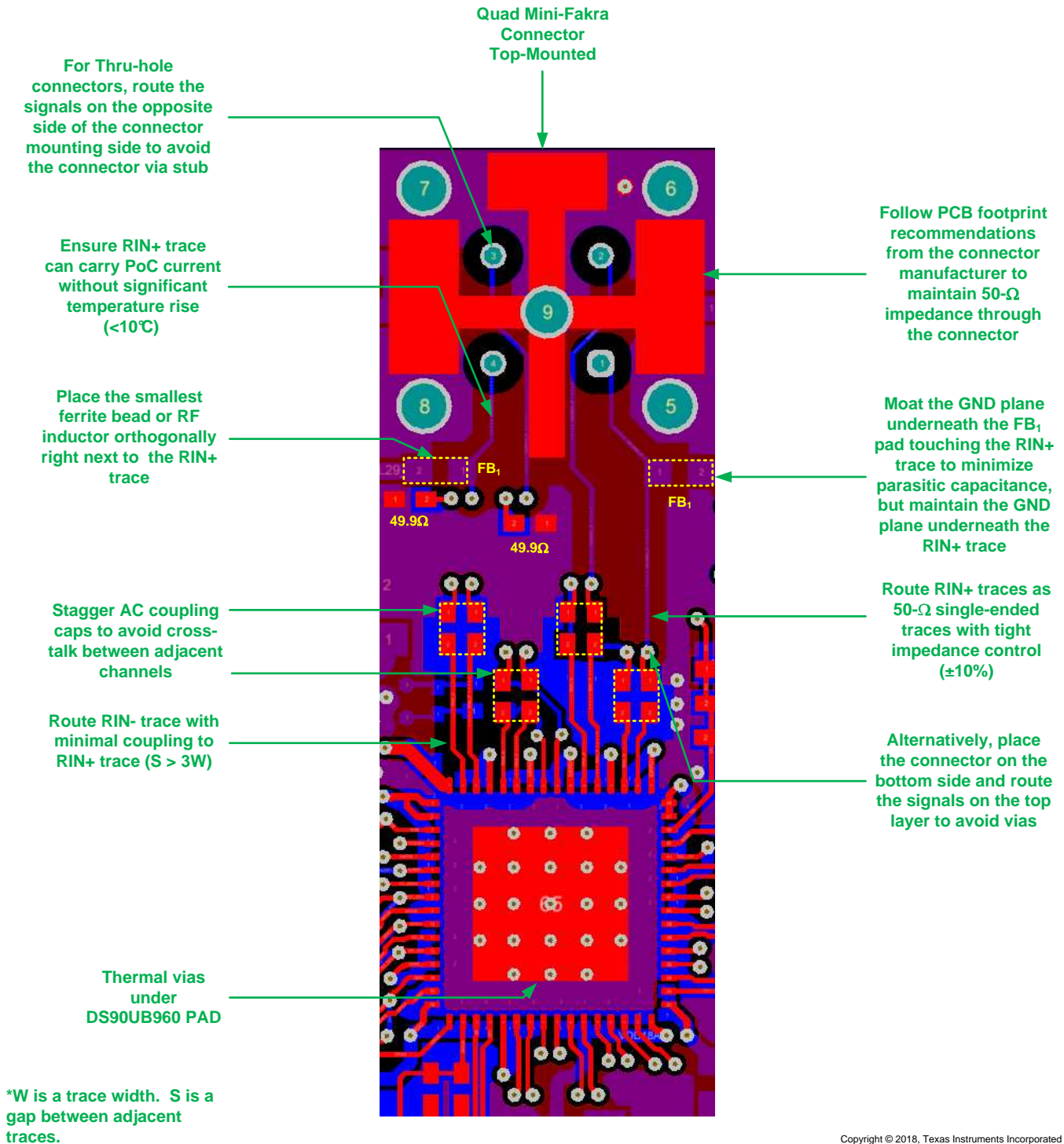
10.2 Layout Example

Stencil parameters such as aperture area ratio and the fabrication process have a significant impact on paste deposition. Inspection of the stencil prior to placement of the VQFN package is highly recommended to improve board assembly yields. If the via and aperture openings are not carefully monitored, the solder may flow unevenly through the DAP.

Example PCB layout is used to demonstrate both proper routing and proper solder techniques when designing in the Deserializer.

 **图 59** shows a PCB layout example are derived from the layout design of the DS90UB960-Q1EVM Evaluation Board. The graphic and layout description are used to determine proper routing when designing the board. The high speed FPD-Link III traces routed differentially up to the connector. A $100\text{-}\Omega$ differential characteristic impedance and $50\text{-}\Omega$ single-ended characteristic impedance traces are maintained as much as possible for both STP and coaxial applications. For the layout of a coaxial interconnects, coupled traces should be used with the RINx- termination near to the connector.

Layout Example (接下页)



Copyright © 2018, Texas Instruments Incorporated

图 59. DS90UB960-Q1 Example PCB Layout With Quad Mini-Fakra Connector

Layout Example (接下页)

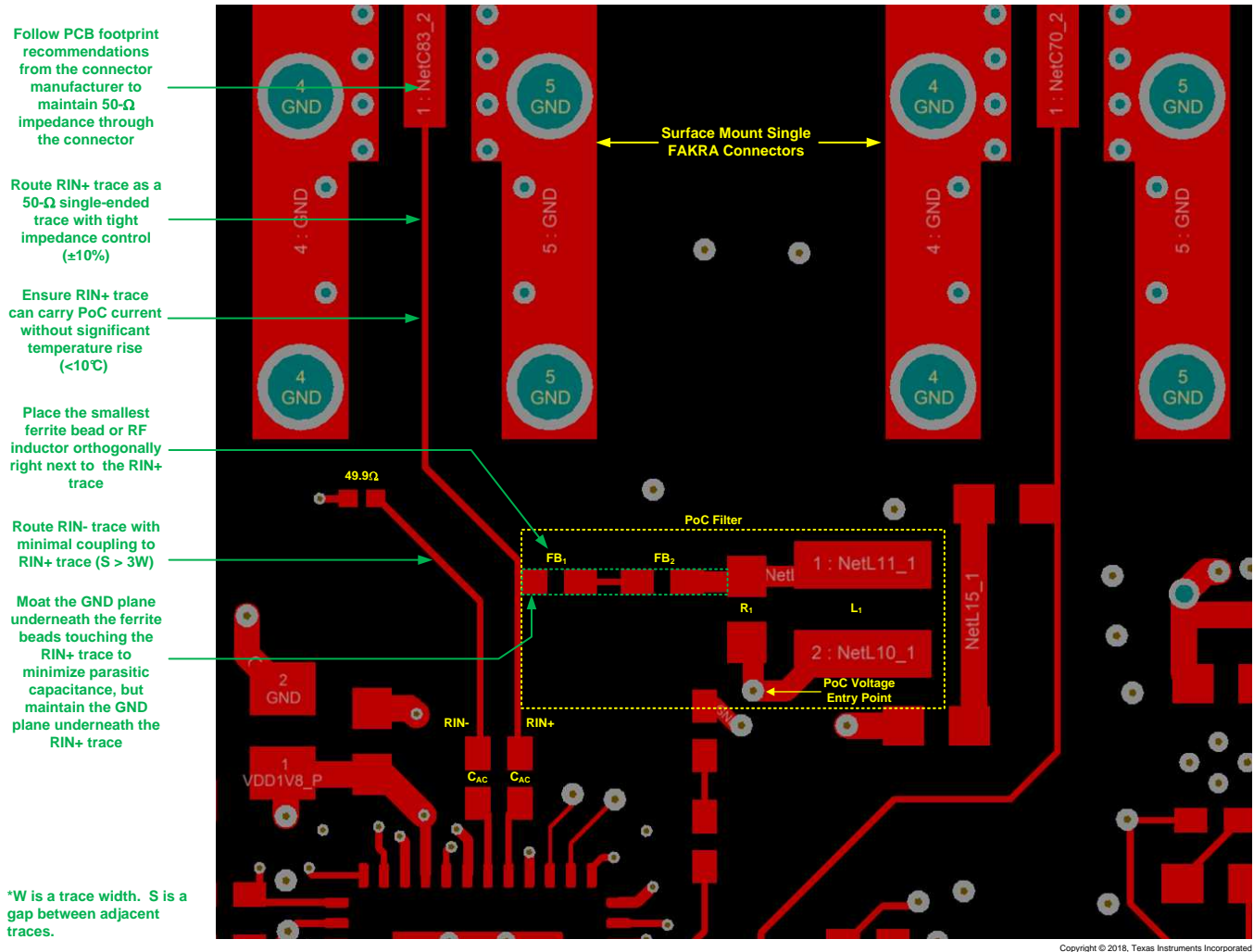
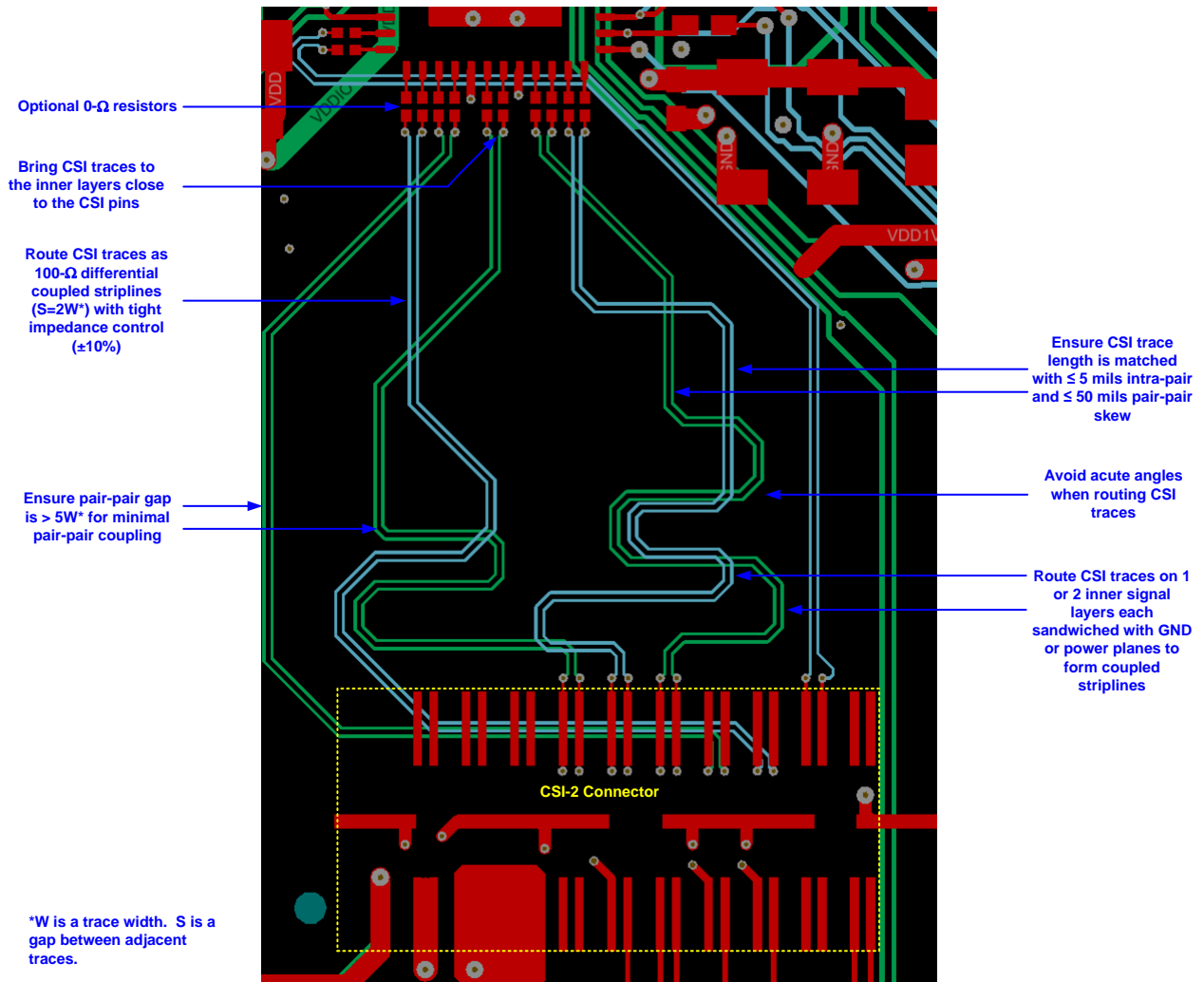


图 60. Example Routing of FPD-Link III Traces to a Single Mini-Fakra Connector and PoC Components

Layout Example (接下页)



Copyright © 2018, Texas Instruments Incorporated

图 61. Example Routing of CSI-2 Traces

11 器件和文档支持

11.1 文档支持

11.1.1 相关文档

请参阅如下相关文档：

- 《在 [DS90UB913A](#) 设计中进行同轴电缆供电》
- 《通过具有双向控制通道的 [DS90UB913/4 FPD-Link III](#) 进行 I2C 通信》
- 《通过具有双向控制通道的 [FPD-Link III](#) 进行 I2C 通信》 (SNLA131)
- 《I2C 总线上拉电阻器计算》 (SLVA689)
- [FPD-Link](#) 大学培训材料
- 《一种适用于 [FPD-Link III SerDes](#) 的 EMC/EMI 系统设计和测试方法》 (SLYT719)
- 《按照车用 EMC/EMI 要求进行成功设计的 10 个技巧》 (SLYT636)

11.2 接收文档更新通知

要接收文档更新通知，请导航至 TI.com.cn 上的器件产品文件夹。单击右上角的通知我进行注册，即可每周接收产品信息更改摘要。有关更改的详细信息，请查看任何已修订文档中包含的修订历史记录。

11.3 社区资源

下列链接提供到 TI 社区资源的连接。链接的内容由各个分销商“按照原样”提供。这些内容并不构成 TI 技术规范，并且不一定反映 TI 的观点；请参阅 TI 的《使用条款》。

TI E2E™ 在线社区 [TI 的工程师对工程师 \(E2E\) 社区](#)。此社区的创建目的在于促进工程师之间的协作。在 e2e.ti.com 中，您可以咨询问题、分享知识、拓展思路并与同行工程师一道帮助解决问题。

设计支持 [TI 参考设计支持](#) 可帮助您快速查找有帮助的 E2E 论坛、设计支持工具以及技术支持的联系信息。

11.4 商标

E2E is a trademark of Texas Instruments.
 All other trademarks are the property of their respective owners.

11.5 静电放电警告



ESD 可能会损坏该集成电路。德州仪器 (TI) 建议通过适当的预防措施处理所有集成电路。如果不遵守正确的处理措施和安装程序，可能会损坏集成电路。

ESD 的损坏小至导致微小的性能降级，大至整个器件故障。精密的集成电路可能更容易受到损坏，这是因为非常细微的参数更改都可能会导致器件与其发布的规格不相符。

11.6 术语表

[SLYZ022](#) — TI 术语表。

这份术语表列出并解释术语、缩写和定义。

12 机械、封装和可订购信息

以下页面包含机械、封装和可订购信息。这些信息是指定器件的最新可用数据。数据如有变更，恕不另行通知，且不会对此文档进行修订。如需获取此产品说明书的浏览器版本，请查阅左侧的导航栏。

PACKAGING INFORMATION

| Orderable Device | Status (1) | Package Type | Package Drawing | Pins | Package Qty | Eco Plan (2) | Lead finish/ Ball material (6) | MSL Peak Temp (3) | Op Temp (°C) | Device Marking (4/5) | Samples |
|------------------|---------------|--------------|-----------------|------|-------------|-----------------|--------------------------------------|----------------------|--------------|-------------------------|-------------------------|
| DS90UB960WRTDRQ1 | ACTIVE | VQFN | RTD | 64 | 2000 | RoHS & Green | Call TI NIPDAUAG | Level-3-260C-168 HR | -40 to 105 | UB960Q | Samples |
| DS90UB960WRTDTQ1 | ACTIVE | VQFN | RTD | 64 | 250 | RoHS & Green | Call TI NIPDAUAG | Level-3-260C-168 HR | -40 to 105 | UB960Q | Samples |

(1) The marketing status values are defined as follows:

ACTIVE: Product device recommended for new designs.

LIFEBUY: TI has announced that the device will be discontinued, and a lifetime-buy period is in effect.

NRND: Not recommended for new designs. Device is in production to support existing customers, but TI does not recommend using this part in a new design.

PREVIEW: Device has been announced but is not in production. Samples may or may not be available.

OBSOLETE: TI has discontinued the production of the device.

(2) **RoHS:** TI defines "RoHS" to mean semiconductor products that are compliant with the current EU RoHS requirements for all 10 RoHS substances, including the requirement that RoHS substance do not exceed 0.1% by weight in homogeneous materials. Where designed to be soldered at high temperatures, "RoHS" products are suitable for use in specified lead-free processes. TI may reference these types of products as "Pb-Free".

RoHS Exempt: TI defines "RoHS Exempt" to mean products that contain lead but are compliant with EU RoHS pursuant to a specific EU RoHS exemption.

Green: TI defines "Green" to mean the content of Chlorine (Cl) and Bromine (Br) based flame retardants meet JS709B low halogen requirements of <=1000ppm threshold. Antimony trioxide based flame retardants must also meet the <=1000ppm threshold requirement.

(3) MSL, Peak Temp. - The Moisture Sensitivity Level rating according to the JEDEC industry standard classifications, and peak solder temperature.

(4) There may be additional marking, which relates to the logo, the lot trace code information, or the environmental category on the device.

(5) Multiple Device Markings will be inside parentheses. Only one Device Marking contained in parentheses and separated by a "~" will appear on a device. If a line is indented then it is a continuation of the previous line and the two combined represent the entire Device Marking for that device.

(6) Lead finish/Ball material - Orderable Devices may have multiple material finish options. Finish options are separated by a vertical ruled line. Lead finish/Ball material values may wrap to two lines if the finish value exceeds the maximum column width.

Important Information and Disclaimer:The information provided on this page represents TI's knowledge and belief as of the date that it is provided. TI bases its knowledge and belief on information provided by third parties, and makes no representation or warranty as to the accuracy of such information. Efforts are underway to better integrate information from third parties. TI has taken and continues to take reasonable steps to provide representative and accurate information but may not have conducted destructive testing or chemical analysis on incoming materials and chemicals. TI and TI suppliers consider certain information to be proprietary, and thus CAS numbers and other limited information may not be available for release.

In no event shall TI's liability arising out of such information exceed the total purchase price of the TI part(s) at issue in this document sold by TI to Customer on an annual basis.

GENERIC PACKAGE VIEW

RTD 64

VQFN - 0.9 mm max height

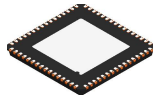
PLASTIC QUAD FLATPACK - NO LEAD



Images above are just a representation of the package family, actual package may vary.
Refer to the product data sheet for package details.

4205146/D

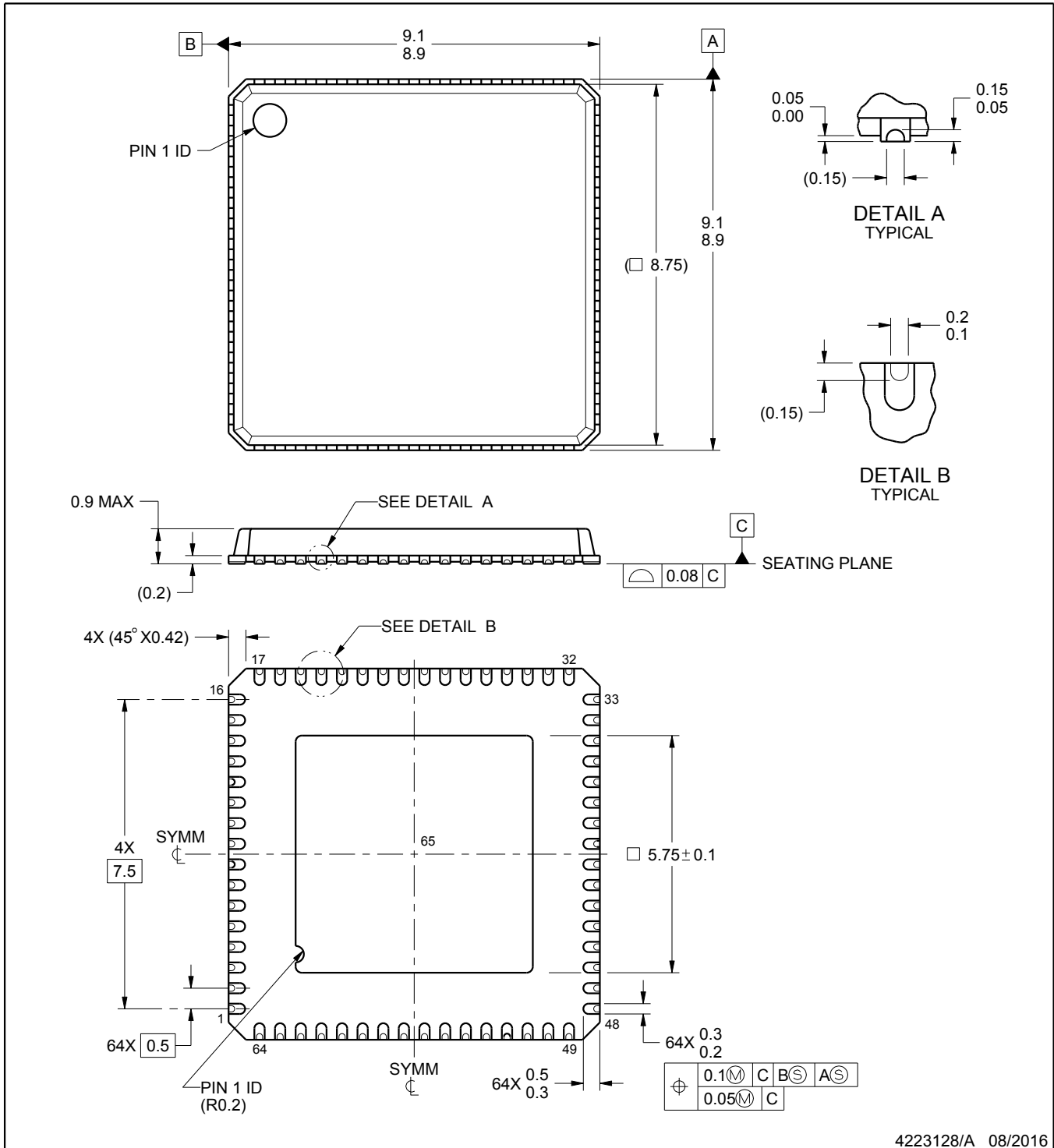
RTD0064F



PACKAGE OUTLINE

VQFN - 0.9 mm max height

PLASTIC QUAD FLATPACK - NO LEAD



4223128/A 08/2016

NOTES:

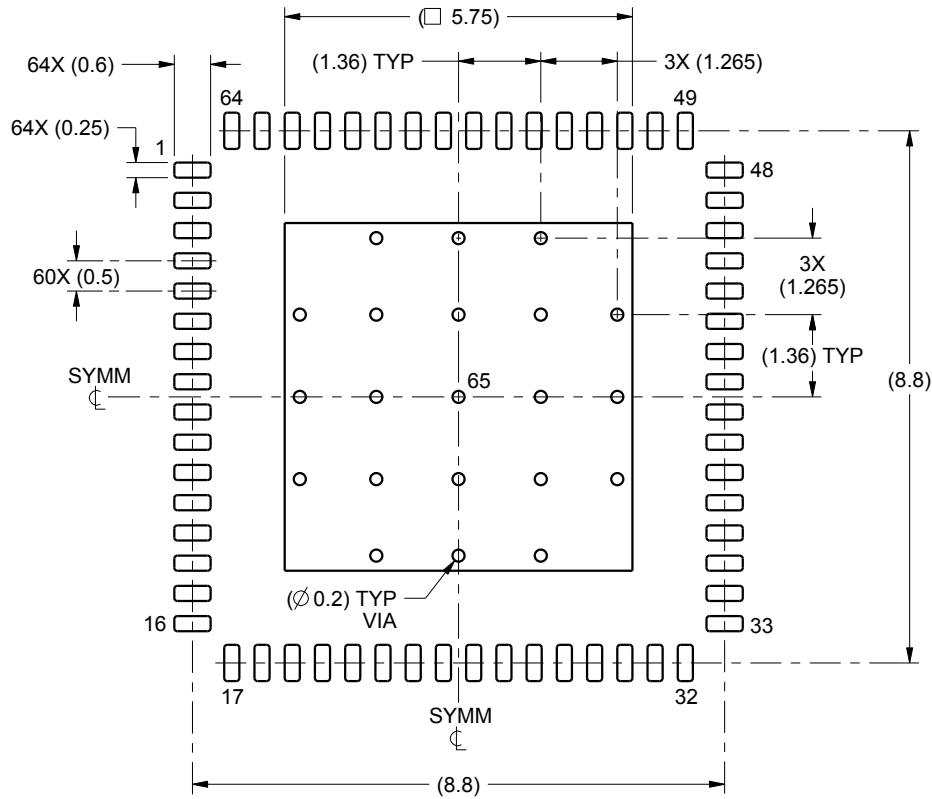
1. All linear dimensions are in millimeters. Any dimensions in parenthesis are for reference only. Dimensioning and tolerancing per ASME Y14.5M.
2. This drawing is subject to change without notice.
3. The package thermal pad must be soldered to the printed circuit board for thermal and mechanical performance.

EXAMPLE BOARD LAYOUT

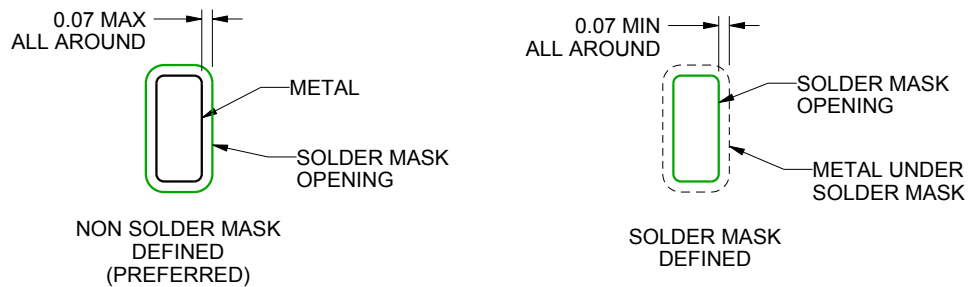
RTD0064F

VQFN - 0.9 mm max height

PLASTIC QUAD FLATPACK - NO LEAD



LAND PATTERN EXAMPLE
SCALE:8X



SOLDER MASK DETAILS

4223128/A 08/2016

NOTES: (continued)

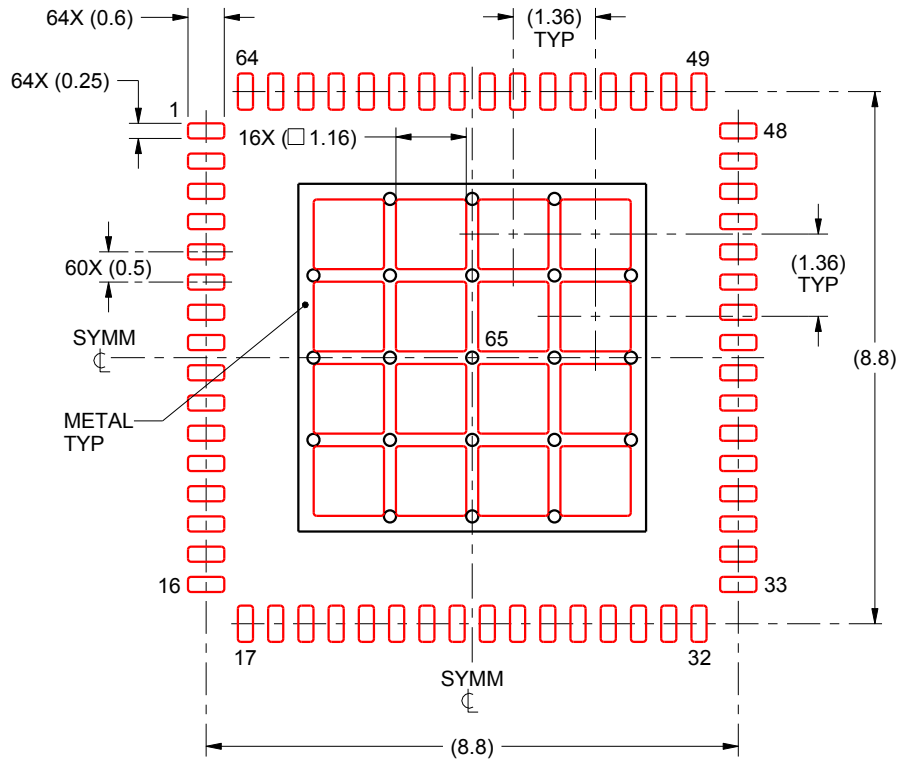
4. This package is designed to be soldered to a thermal pad on the board. For more information, see Texas Instruments literature number SLUA271 (www.ti.com/lit/sluea271).
5. Vias are optional depending on application, refer to device data sheet. If any vias are implemented, refer to their locations shown on this view. It is recommended that vias under paste be filled, plugged or tented.

EXAMPLE STENCIL DESIGN

RTD0064F

VQFN - 0.9 mm max height

PLASTIC QUAD FLATPACK - NO LEAD



SOLDER PASTE EXAMPLE
BASED ON 0.125 mm THICK STENCIL

EXPOSED PAD 65:
65% PRINTED SOLDER COVERAGE BY AREA UNDER PACKAGE
SCALE:8X

4223128/A 08/2016

NOTES: (continued)

6. Laser cutting apertures with trapezoidal walls and rounded corners may offer better paste release. IPC-7525 may have alternate design recommendations.

重要声明和免责声明

TI“按原样”提供技术和可靠性数据（包括数据表）、设计资源（包括参考设计）、应用或其他设计建议、网络工具、安全信息和其他资源，不保证没有瑕疵且不做任何明示或暗示的担保，包括但不限于对适销性、某特定用途方面的适用性或不侵犯任何第三方知识产权的暗示担保。

这些资源可供使用 TI 产品进行设计的熟练开发人员使用。您将自行承担以下全部责任：(1) 针对您的应用选择合适的 TI 产品，(2) 设计、验证并测试您的应用，(3) 确保您的应用满足相应标准以及任何其他功能安全、信息安全、监管或其他要求。

这些资源如有变更，恕不另行通知。TI 授权您仅可将这些资源用于研发本资源所述的 TI 产品的应用。严禁对这些资源进行其他复制或展示。您无权使用任何其他 TI 知识产权或任何第三方知识产权。您应全额赔偿因在这些资源的使用中对 TI 及其代表造成的任何索赔、损害、成本、损失和债务，TI 对此概不负责。

TI 提供的产品受 [TI 的销售条款](#) 或 [ti.com](#) 上其他适用条款/TI 产品随附的其他适用条款的约束。TI 提供这些资源并不会扩展或以其他方式更改 TI 针对 TI 产品发布的适用的担保或担保免责声明。

TI 反对并拒绝您可能提出的任何其他或不同的条款。

邮寄地址：Texas Instruments, Post Office Box 655303, Dallas, Texas 75265

Copyright © 2022，德州仪器 (TI) 公司