

## TS5A2066 双通道 10Ω SPST 模拟开关

### 1 特性

- 低导通状态电阻 (10Ω)
- 控制输入可承受 5V 电压
- 低电荷注入
- 出色的通态电阻匹配
- 低总谐波失真 (THD)
- 1.65V 至 5.5V 单电源运行
- 闩锁性能超过 100mA, 符合 JESD 78 II 类规范
- 静电放电 (ESD) 性能测试符合 JESD 22 规范
  - 2000V 人体放电模式 (A114-B, II 类)
  - 1000V 充电器件模型 (C101)

### 2 应用

- 采样和保持电路
- 电池供电类设备
- 音频和视频信号路由
- 通信电路
- 手机
- 低电压数据采集系统
- PDA

### 3 说明

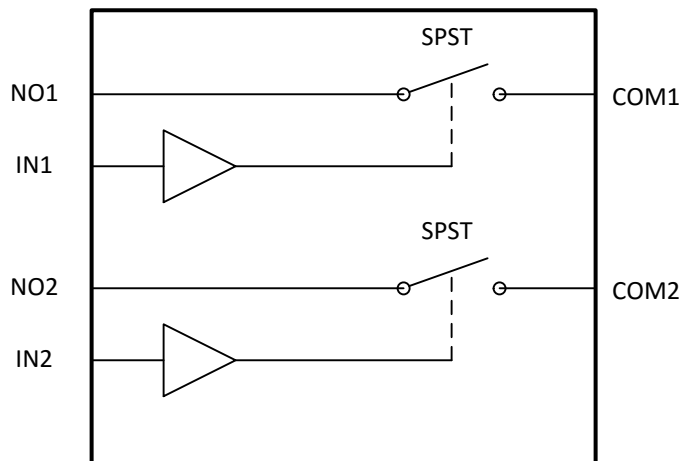
TS5A2066 器件是一款双通道单刀单掷 (SPST) 模拟开关, 其设计工作电压为 1.65V 至 5.5V。此器件可以处理数据和模拟信号, 并且高达  $V_{CC}$  的信号可在任一方向上传输。

器件信息<sup>(1)</sup>

器件型号	封装	封装尺寸 (标称值)
TS5A2066	SSOP (DCT)	2.95mm x 2.80mm
	VSSOP (DCU)	2.30mm x 2.00mm
	DSBGA (YZP)	1.25mm x 2.25mm

(1) 如需了解所有可用封装, 请参阅数据表末尾的可订购产品附录。

功能方框图



## 目录

<b>1</b>	特性 .....	1	8.2	Functional Block Diagram .....	21
<b>2</b>	应用 .....	1	8.3	Feature Description .....	21
<b>3</b>	说明 .....	1	8.4	Device Functional Modes .....	21
<b>4</b>	修订历史记录 .....	2	<b>9</b>	<b>Application and Implementation</b> .....	<b>22</b>
<b>5</b>	<b>Pin Configuration and Functions</b> .....	<b>3</b>	9.1	Application Information .....	22
<b>6</b>	<b>Specifications</b> .....	<b>4</b>	9.2	Typical Application .....	22
6.1	Absolute Maximum Ratings .....	4	<b>10</b>	<b>Power Supply Recommendations</b> .....	<b>23</b>
6.2	ESD Ratings .....	4	<b>11</b>	<b>Layout</b> .....	<b>24</b>
6.3	Recommended Operating Conditions .....	4	11.1	Layout Guidelines .....	24
6.4	Thermal Information .....	4	11.2	Layout Example .....	24
6.5	Electrical Characteristics For 5-V Supply .....	5	<b>12</b>	<b>器件和文档支持</b> .....	<b>25</b>
6.6	Electrical Characteristics For 3.3-V Supply .....	7	12.1	接收文档更新通知 .....	25
6.7	Electrical Characteristics For 2.5-V Supply .....	9	12.2	社区资源 .....	25
6.8	Electrical Characteristics For 1.8-V Supply .....	11	12.3	商标 .....	25
6.9	Typical Performance .....	13	12.4	静电放电警告 .....	25
<b>7</b>	<b>Parameter Measurement Information</b> .....	<b>16</b>	12.5	术语表 .....	25
<b>8</b>	<b>Detailed Description</b> .....	<b>21</b>	<b>13</b>	<b>机械、封装和可订购信息</b> .....	<b>25</b>
8.1	Overview .....	21			

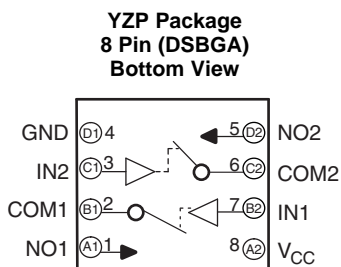
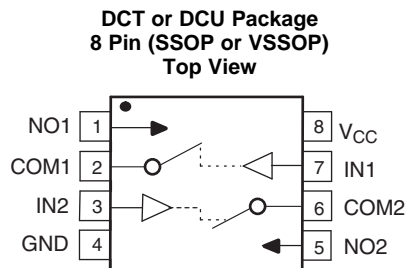
## 4 修订历史记录

注：之前版本的页码可能与当前版本有所不同。

Changes from Revision E (June 2017) to Revision F	Page
• Changed the YZP Package From: Top View To: Bottom View .....	3

Changes from Revision D (April 2010) to Revision E	Page
• 添加了器件信息表、引脚配置和功能部分、ESD 额定值表、建议运行条件表、热性能信息表、特性说明部分、器件功能模式、应用和实施部分、电源建议部分、布局部分、器件和文档支持部分以及机械、封装和可订购信息部分 .....	1
• Deleted the <i>Summary of Characteristics</i> table .....	3
• Changed pin 8 From: $V_+$ To: $V_{CC}$ in the pinout images .....	3
• Deleted the ON-state resistance Min values of 10 $\Omega$ and 12 $\Omega$ in the <i>Electrical Characteristics For 3.3-V Supply</i> table .....	7
• Deleted the ON-state resistance Min values of 20 $\Omega$ in the <i>Electrical Characteristics For 2.5-V Supply</i> table .....	9
• Changed Test Conditions for Charge injection From: See Figure 23 To: See Figure 24 in the <i>Electrical Characteristics For 2.5-V Supply</i> table .....	10
• Deleted the ON-state resistance Min values of 80 $\Omega$ and 90 $\Omega$ in the <i>Electrical Characteristics For 1.8-V Supply</i> table .....	11
• Changed $V_+$ to $V_{CC}$ in the <i>Typical Performance</i> graphs .....	13
• Changed $V_+$ to $V_{CC}$ in the <i>Parameter Measurement Information</i> images .....	16

## 5 Pin Configuration and Functions



### Pin Functions

NO.	NAME	DESCRIPTION
1	NO1	Normally open
2	COM1	Common
3	IN2	Digital control to connect COM to NO
4	GND	Digital ground
5	NO2	Normally open
6	COM2	Common
7	IN1	Digital control to connect COM to NO
8	V <sub>CC</sub>	Power supply

## 6 Specifications

### 6.1 Absolute Maximum Ratings<sup>(1)(2)</sup>

over operating free-air temperature range (unless otherwise noted)

		MIN	MAX	UNIT
V <sub>CC</sub>	Supply voltage range <sup>(3)</sup>	-0.5	6.5	V
V <sub>NO</sub> V <sub>COM</sub>	Analog voltage range <sup>(3)(4)(5)</sup>	-0.5	V <sub>CC</sub> + 0.5	V
I <sub>K</sub>	Analog port diode current V <sub>NO</sub> , V <sub>COM</sub> < 0 or V <sub>NO</sub> , V <sub>COM</sub> > V <sub>CC</sub>	-50	50	mA
I <sub>NO</sub> I <sub>COM</sub>	On-state switch current V <sub>NO</sub> , V <sub>COM</sub> = 0 to V <sub>CC</sub>	-50	50	mA
V <sub>IN</sub>	Digital input voltage range <sup>(3)(4)</sup>	-0.5	6.5	V
I <sub>IK</sub>	Digital input clamp current V <sub>IN</sub> < 0	-50		mA
I <sub>CC</sub>	Continuous current through V <sub>CC</sub>		100	mA
I <sub>GND</sub>	Continuous current through GND	-100	100	mA
T <sub>stg</sub>	Storage temperature range	-65	150	°C

- (1) Stresses beyond those listed under "absolute maximum ratings" may cause permanent damage to the device. These are stress ratings only, and functional operation of the device at these or any other conditions beyond those indicated under "recommended operating conditions" is not implied. Exposure to absolute-maximum-rated conditions for extended periods may affect device reliability.
- (2) The algebraic convention, whereby the most negative value is a minimum and the most positive value is a maximum.
- (3) All voltages are with respect to ground, unless otherwise specified.
- (4) The input and output voltage ratings may be exceeded if the input and output clamp-current ratings are observed.
- (5) This value is limited to 5.5 V maximum.

### 6.2 ESD Ratings

		VALUE	UNIT
V <sub>(ESD)</sub>	Electrostatic discharge		
	Human-body model (HBM), per ANSI/ESDA/JEDEC JS-001 <sup>(1)</sup>	±2000	V
Charged-device model (CDM), per JEDEC specification JESD22-C101 <sup>(2)</sup>	±1000		

- (1) JEDEC document JEP155 states that 500-V HBM allows safe manufacturing with a standard ESD control process.
- (2) JEDEC document JEP157 states that 250-V CDM allows safe manufacturing with a standard ESD control process.

### 6.3 Recommended Operating Conditions

over operating free-air temperature range (unless otherwise noted)

		MIN	MAX	UNIT
V <sub>CC</sub>	Supply voltage range	1.65	5.5	V
V <sub>NO</sub> V <sub>COM</sub>	Analog voltage range	0	V <sub>CC</sub>	V
V <sub>IN</sub>	Digital input voltage range	0	5.5	V

### 6.4 Thermal Information

THERMAL METRIC <sup>(1)</sup>	TS5A2066			UNIT	
	DCT (SSOP)	DCU (VSSOP)	YZP (DSBGA)		
	8 PINS	8 PINS	8 PINS		
R <sub>θJA</sub>	Junction-to-ambient thermal resistance	214.1	212.8	99.8	°C/W
R <sub>θJC(top)</sub>	Junction-to-case (top) thermal resistance	106.8	93.6	1.0	°C/W
R <sub>θJB</sub>	Junction-to-board thermal resistance	127.8	133.6	29.6	°C/W
ψ <sub>JT</sub>	Junction-to-top characterization parameter	30.2	30.4	0.5	°C/W
ψ <sub>JB</sub>	Junction-to-board characterization parameter	125.5	133.1	29.8	°C/W

- (1) For more information about traditional and new thermal metrics, see the [Semiconductor and IC Package Thermal Metrics](#) application report.

## 6.5 Electrical Characteristics For 5-V Supply<sup>(1)</sup>

 $V_{CC} = 4.5\text{ V to }5.5\text{ V}$ ,  $T_A = -40^\circ\text{C to }85^\circ\text{C}$  (unless otherwise noted)

PARAMETER	SYMBOL	TEST CONDITIONS	$T_A$	$V_{CC}$	MIN	TYP	MAX	UNIT
<b>Analog Switch</b>								
Analog signal range	$V_{COM}, V_{NO}$				0		$V_{CC}$	V
ON-state resistance	$r_{on}$	$0 \leq V_{NO} \leq V_{CC}$ , $I_{COM} = -32\text{ mA}$ , Switch ON, See <a href="#">Figure 16</a>	25°C	4.5 V		7.5	10	$\Omega$
			Full				15	
ON-state resistance match between channels	$\Delta r_{on}$	$V_{NO} = 3.15\text{ V}$ , $I_{COM} = -32\text{ mA}$ , Switch ON, See <a href="#">Figure 16</a>	25°C	4.5 V		0.4	1	$\Omega$
			Full					
ON-state resistance flatness	$r_{on(Flat)}$	$0 \leq V_{NO} \leq V_{CC}$ , $I_{COM} = -32\text{ mA}$ , Switch ON, See <a href="#">Figure 16</a>	25°C	4.5 V		3.5	5	$\Omega$
			Full					
NO OFF leakage current	$I_{NO(OFF)}$	$V_{NO} = 1\text{ V}$ , $V_{COM} = 4.5\text{ V}$ , or $V_{NO} = 4.5\text{ V}$ , $V_{COM} = 1\text{ V}$ , Switch OFF, See <a href="#">Figure 17</a>	25°C	5.5 V	-30	-10	30	nA
			Full			-40		
COM OFF leakage current	$I_{COM(OFF)}$	$V_{COM} = 1\text{ V}$ , $V_{NO} = 4.5\text{ V}$ , or $V_{COM} = 4.5\text{ V}$ , $V_{NO} = 1\text{ V}$ , Switch OFF, See <a href="#">Figure 17</a>	25°C	5.5 V	-50	-8	50	nA
			Full			-50		
NO ON leakage current	$I_{NO(ON)}$	$V_{NO} = 1\text{ V}$ , $V_{COM} = \text{Open}$ , or $V_{NO} = 4.5\text{ V}$ , $V_{COM} = \text{Open}$ , Switch ON, See <a href="#">Figure 18</a>	25°C	5.5 V	-40	-12	40	nA
			Full			-4		
COM ON leakage current	$I_{COM(ON)}$	$V_{COM} = 1\text{ V}$ , $V_{NO} = \text{Open}$ , or $V_{COM} = 4.5\text{ V}$ , $V_{NO} = \text{Open}$ , Switch ON, See <a href="#">Figure 18</a>	25°C	5.5 V	-70	-30	70	nA
			Full			-70		
<b>Digital Control Input (IN)</b>								
Input logic high	$V_{IH}$		Full		$V_{CC} \times 0.7$		5.5	V
Input logic low	$V_{IL}$		Full		0		$V_{CC} \times 0.3$	V
Input leakage current	$I_{IH}, I_{IL}$	$V_{IN} = 5.5\text{ V or }0$	25°C	5.5 V	-0.1	0.05	0.1	$\mu\text{A}$
			Full			-1		

(1) The algebraic convention, whereby the most negative value is a minimum and the most positive value is a maximum.

**Electrical Characteristics For 5-V Supply<sup>(1)</sup> (continued)**
 $V_{CC} = 4.5 \text{ V to } 5.5 \text{ V}$ ,  $T_A = -40^\circ\text{C to } 85^\circ\text{C}$  (unless otherwise noted)

PARAMETER	SYMBOL	TEST CONDITIONS	$T_A$	$V_{CC}$	MIN	TYP	MAX	UNIT
<b>Dynamic</b>								
Turn-on time	$t_{ON}$	$V_{COM} = 3 \text{ V}$ , $R_L = 300 \Omega$ , $C_L = 35 \text{ pF}$ , See <a href="#">Figure 20</a>	25°C	5 V	4.4	5.2	5.8	ns
			Full	4.5 V to 5.5 V	3.4		6.1	
Turn-off time	$t_{OFF}$	$V_{COM} = 3 \text{ V}$ , $R_L = 300 \Omega$ , $C_L = 35 \text{ pF}$ , See <a href="#">Figure 20</a>	25°C	5 V	1.7	2.6	3.6	ns
			Full	4.5 V to 5.5 V	1.3		4.2	
Charge injection	$Q_C$	$V_{GEN} = 0$ , $R_{GEN} = 0$ , $C_L = 0.1 \text{ nF}$ , See <a href="#">Figure 24</a>	25°C	5 V		1		pC
NO OFF capacitance	$C_{NO(OFF)}$	$V_{NO} = V_{CC}$ or GND, Switch OFF, See <a href="#">Figure 19</a>	25°C	5 V		5.5		pF
COM OFF capacitance	$C_{COM(OFF)}$	$V_{COM} = V_{CC}$ or GND, Switch OFF, See <a href="#">Figure 19</a>	25°C	5 V		5.5		pF
NO ON capacitance	$C_{NO(ON)}$	$V_{NO} = V_{CC}$ or GND, Switch ON, See <a href="#">Figure 19</a>	25°C	5 V		13.5		pF
COM ON capacitance	$C_{COM(ON)}$	$V_{COM} = V_{CC}$ or GND, Switch ON, See <a href="#">Figure 19</a>	25°C	5 V		13.5		pF
Digital input capacitance	$C_{IN}$	$V_{IN} = V_{CC}$ or GND, See <a href="#">Figure 19</a>	25°C	5 V		2.5		pF
Bandwidth	BW	$R_L = 50 \Omega$ , Switch ON, See <a href="#">Figure 21</a>	25°C	5 V		300		MHz
OFF isolation	$O_{ISO}$	$R_L = 50 \Omega$ , $f = 10 \text{ MHz}$ , Switch OFF, See <a href="#">Figure 22</a>	25°C	5 V		-68		dB
Crosstalk	$X_{TALK}$	$R_L = 50 \Omega$ , $f = 10 \text{ MHz}$ , Switch ON, See <a href="#">Figure 23</a>	25°C	5 V		-66		dB
Total harmonic distortion	THD	$R_L = 600 \Omega$ , $C_L = 50 \text{ pF}$ , $f = 20 \text{ Hz to } 20 \text{ kHz}$ , See <a href="#">Figure 25</a>	25°C	5 V		0.01%		
<b>Supply</b>								
Positive supply current	$I_{CC}$	$V_{IN} = V_{CC}$ or GND, Switch ON or OFF	25°C	5.5 V		0.1	1	$\mu\text{A}$
			Full				5	

## 6.6 Electrical Characteristics For 3.3-V Supply<sup>(1)</sup>

 $V_{CC} = 3\text{ V to }3.6\text{ V}$ ,  $T_A = -40^\circ\text{C to }85^\circ\text{C}$  (unless otherwise noted)

PARAMETER	SYMBOL	TEST CONDITIONS	$T_A$	$V_{CC}$	MIN	TYP	MAX	UNIT	
<b>Analog Switch</b>									
Analog signal range	$V_{COM}, V_{NO}$				0		$V_{CC}$	V	
ON-state resistance	$r_{on}$	$0 \leq V_{NO} \leq V_{CC}$ , $I_{COM} = -24\text{ mA}$ , Switch ON, See <a href="#">Figure 16</a>	25°C	3 V		12	15	$\Omega$	
			Full				20		
ON-state resistance match between channels	$\Delta r_{on}$	$V_{NO} = 2.1\text{ V}$ , $I_{COM} = -24\text{ mA}$ , Switch ON, See <a href="#">Figure 16</a>	25°C	3 V		0.5	1.5	$\Omega$	
			Full				3.5		
ON-state resistance flatness	$r_{on(Flat)}$	$0 \leq V_{NO} \leq V_{CC}$ , $I_{COM} = -24\text{ mA}$ , Switch ON, See <a href="#">Figure 16</a>	25°C	3 V		7	8	$\Omega$	
			Full				12		
NO OFF leakage current	$I_{NO(OFF)}$	$V_{NO} = 1\text{ V}$ , $V_{COM} = 3\text{ V}$ , or $V_{NO} = 3\text{ V}$ , $V_{COM} = 1\text{ V}$ , Switch OFF, See <a href="#">Figure 17</a>	25°C	3.6 V		-30	-6	30	nA
			Full				-40	40	
COM OFF leakage current	$I_{COM(OFF)}$	$V_{COM} = 1\text{ V}$ , $V_{NO} = 3\text{ V}$ , or $V_{COM} = 3\text{ V}$ , $V_{NO} = 1\text{ V}$ , Switch OFF, See <a href="#">Figure 17</a>	25°C	3.6 V		-50	-7	50	nA
			Full				-50	50	
NO ON leakage current	$I_{NO(ON)}$	$V_{NO} = 1\text{ V}$ , $V_{COM} = \text{Open}$ , or $V_{NO} = 3\text{ V}$ , $V_{COM} = \text{Open}$ , Switch ON, See <a href="#">Figure 18</a>	25°C	3.6 V		-40	-7	40	nA
			Full				-40	40	
COM ON leakage current	$I_{COM(ON)}$	$V_{COM} = 1\text{ V}$ , $V_{NO} = \text{Open}$ , or $V_{COM} = 3\text{ V}$ , $V_{NO} = \text{Open}$ , Switch ON, See <a href="#">Figure 18</a>	25°C	3.6 V		-70	-20	70	nA
			Full				-70	70	
<b>Digital Control Input (IN)</b>									
Input logic high	$V_{IH}$		Full		$V_{CC} \times 0.7$		5.5	V	
Input logic low	$V_{IL}$		Full		0		$V_{CC} \times 0.3$	V	
Input leakage current	$I_{IH}, I_{IL}$	$V_{IN} = 5.5\text{ V or }0$	25°C	3.6 V		-0.1	0.05	0.1	$\mu\text{A}$
			Full				-1	1	

(1) The algebraic convention, whereby the most negative value is a minimum and the most positive value is a maximum.

**Electrical Characteristics For 3.3-V Supply<sup>(1)</sup> (continued)**
 $V_{CC} = 3\text{ V to }3.6\text{ V}$ ,  $T_A = -40^\circ\text{C to }85^\circ\text{C}$  (unless otherwise noted)

PARAMETER	SYMBOL	TEST CONDITIONS	$T_A$	$V_{CC}$	MIN	TYP	MAX	UNIT	
<b>Dynamic</b>									
Turn-on time	$t_{ON}$	$V_{COM} = 2\text{ V}$ , $R_L = 300\ \Omega$ ,	$C_L = 35\text{ pF}$ , See <a href="#">Figure 20</a>	25°C	3.3 V	4.9	5.6	6.4	ns
				Full	3 V to 3.6 V	4.3		7.1	
Turn-off time	$t_{OFF}$	$V_{COM} = 2\text{ V}$ , $R_L = 300\ \Omega$ ,	$C_L = 35\text{ pF}$ , See <a href="#">Figure 20</a>	25°C	3.3 V	2	2.7	3.7	ns
				Full	3 V to 3.6 V	1.3		4.7	
Charge injection	$Q_C$	$V_{GEN} = 0$ , $R_{GEN} = 0$ ,	$C_L = 0.1\text{ nF}$ , See <a href="#">Figure 24</a>	25°C	3.3 V		0.5	pC	
NO OFF capacitance	$C_{NO(OFF)}$	$V_{NO} = V_{CC}$ or GND,	Switch OFF, See <a href="#">Figure 19</a>	25°C	3.3 V		5.5	pF	
COM OFF capacitance	$C_{COM(OFF)}$	$V_{COM} = V_{CC}$ or GND,	Switch OFF, See <a href="#">Figure 19</a>	25°C	3.3 V		6	pF	
NO ON capacitance	$C_{NO(ON)}$	$V_{NO} = V_{CC}$ or GND,	Switch ON, See <a href="#">Figure 19</a>	25°C	3.3 V		14	pF	
COM ON capacitance	$C_{COM(ON)}$	$V_{COM} = V_{CC}$ or GND,	Switch ON, See <a href="#">Figure 19</a>	25°C	3.3 V		14	pF	
Digital input capacitance	$C_I$	$V_{IN} = V_{CC}$ or GND,	See <a href="#">Figure 19</a>	25°C	3.3 V		3	pF	
Bandwidth	BW	$R_L = 50\ \Omega$ ,	Switch ON, See <a href="#">Figure 21</a>	25°C	3.3 V		300	MHz	
OFF isolation	$O_{ISO}$	$R_L = 50\ \Omega$ , $f = 10\text{ MHz}$ ,	Switch OFF, See <a href="#">Figure 22</a>	25°C	3.3 V		-68	dB	
Crosstalk	$X_{TALK}$	$R_L = 50\ \Omega$ , $f = 10\text{ MHz}$ ,	Switch ON, See <a href="#">Figure 23</a>	25°C	3.3 V		-66	dB	
Total harmonic distortion	THD	$R_L = 600\ \Omega$ , $C_L = 50\text{ pF}$ ,	$f = 20\text{ Hz to }20\text{ kHz}$ , See <a href="#">Figure 25</a>	25°C	3.3 V		0.065%		
<b>Supply</b>									
Positive supply current	$I_{CC}$	$V_{IN} = V_{CC}$ or GND,	Switch ON or OFF	25°C	3.6 V	0.1		1	$\mu\text{A}$
				Full				5	



## 6.7 Electrical Characteristics For 2.5-V Supply<sup>(1)</sup>

 $V_{CC} = 2.3 \text{ V to } 2.7 \text{ V}$ ,  $T_A = -40^\circ\text{C to } 85^\circ\text{C}$  (unless otherwise noted)

PARAMETER	SYMBOL	TEST CONDITIONS	$T_A$	$V_{CC}$	MIN	TYP	MAX	UNIT	
<b>Analog Switch</b>									
Analog signal range	$V_{COM}, V_{NO}$				0		$V_{CC}$	V	
ON-state resistance	$r_{on}$	$0 \leq V_{NO} \leq V_{CC}$ , $I_{COM} = -8 \text{ mA}$ , Switch ON, See <a href="#">Figure 16</a>	25°C	2.3 V	22			$\Omega$	
			Full		30				
ON-state resistance match between channels	$\Delta r_{on}$	$V_{NO} = 1.6 \text{ V}$ , $I_{COM} = -8 \text{ mA}$ , Switch ON, See <a href="#">Figure 16</a>	25°C	2.3 V	0.5		1.5	$\Omega$	
			Full		5				
ON-state resistance flatness	$r_{on(Flat)}$	$0 \leq V_{NO} \leq V_{CC}$ , $I_{COM} = -8 \text{ mA}$ , Switch ON, See <a href="#">Figure 16</a>	25°C	2.3 V	16			$\Omega$	
			Full		25				
NO OFF leakage current	$I_{NO(OFF)}$	$V_{NO} = 0.5 \text{ V}$ , $V_{COM} = 2.2 \text{ V}$ , or $V_{NO} = 2.2 \text{ V}$ , $V_{COM} = 0.5 \text{ V}$ , Switch OFF, See <a href="#">Figure 17</a>	25°C	2.7 V	-30	-5.5	30	nA	
			Full		-40		40		
COM OFF leakage current	$I_{COM(OFF)}$	$V_{COM} = 0.5 \text{ V}$ , $V_{NO} = 2.2 \text{ V}$ , or $V_{COM} = 2.2 \text{ V}$ , $V_{NO} = 0.5 \text{ V}$ , Switch OFF, See <a href="#">Figure 17</a>	25°C	2.7 V	-50	-7.5	50	nA	
			Full		-50		50		
NO ON leakage current	$I_{NO(ON)}$	$V_{NO} = 0.5 \text{ V}$ , $V_{COM} = \text{Open}$ , or $V_{NO} = 2.2 \text{ V}$ , $V_{COM} = \text{Open}$ , Switch ON, See <a href="#">Figure 18</a>	25°C	2.7 V	-40	-5	40	nA	
			Full		-40		40		
COM ON leakage current	$I_{COM(ON)}$	$V_{COM} = 0.5 \text{ V}$ , $V_{NO} = \text{Open}$ , or $V_{COM} = 2.2 \text{ V}$ , $V_{NO} = \text{Open}$ , Switch ON, See <a href="#">Figure 18</a>	25°C	2.7 V	-70	-12	70	nA	
			Full		-70		70		
<b>Digital Control Input (IN)</b>									
Input logic high	$V_{IH}$		Full		$V_{CC} \times 0.7$			5.5	V
Input logic low	$V_{IL}$		Full		0	$V_{CC} \times 0.3$		V	
Input leakage current	$I_{IH}, I_{IL}$	$V_{IN} = 5.5 \text{ V or } 0$	25°C	2.7 V	-0.1	0.05	0.1	$\mu\text{A}$	
			Full		-1		1		

(1) The algebraic convention, whereby the most negative value is a minimum and the most positive value is a maximum.

**Electrical Characteristics For 2.5-V Supply<sup>(1)</sup> (continued)**
 $V_{CC} = 2.3 \text{ V to } 2.7 \text{ V}$ ,  $T_A = -40^\circ\text{C to } 85^\circ\text{C}$  (unless otherwise noted)

PARAMETER	SYMBOL	TEST CONDITIONS	$T_A$	$V_{CC}$	MIN	TYP	MAX	UNIT
<b>Dynamic</b>								
Turn-on time	$t_{ON}$	$V_{COM} = 1.5 \text{ V}$ , $R_L = 300 \Omega$ , See <a href="#">Figure 20</a>	25°C	2.5 V	5.7	6.4	8.1	ns
			Full	2.3 V to 2.7 V	4.4		8.5	
Turn-off time	$t_{OFF}$	$V_{COM} = 1.5 \text{ V}$ , $R_L = 300 \Omega$ , See <a href="#">Figure 20</a>	25°C	2.5 V	2.1	3.1	4.3	ns
			Full	2.3 V to 2.7 V	1.8		4.8	
Charge injection	$Q_C$	$V_{GEN} = 0$ , $R_{GEN} = 0$ , $C_L = 0.1 \text{ nF}$ , See <a href="#">Figure 24</a>	25°C	2.5 V		0.5		pC
NO OFF capacitance	$C_{NO(OFF)}$	$V_{NO} = V_{CC}$ or GND, Switch OFF, See <a href="#">Figure 19</a>	25°C	2.5 V		6		pF
COM OFF capacitance	$C_{COM(OFF)}$	$V_{COM} = V_{CC}$ or GND, Switch OFF, See <a href="#">Figure 19</a>	25°C	2.5 V		6		pF
NO ON capacitance	$C_{NO(ON)}$	$V_{NO} = V_{CC}$ or GND, Switch ON, See <a href="#">Figure 19</a>	25°C	2.5 V		14		pF
COM ON capacitance	$C_{COM(ON)}$	$V_{COM} = V_{CC}$ or GND, Switch ON, See <a href="#">Figure 19</a>	25°C	2.5 V		14		pF
Digital input capacitance	$C_{IN}$	$V_{IN} = V_{CC}$ or GND, See <a href="#">Figure 19</a>	25°C	2.5 V		3		pF
Bandwidth	BW	$R_L = 50 \Omega$ , Switch ON, See <a href="#">Figure 21</a>	25°C	2.5 V		300		MHz
OFF isolation	$O_{ISO}$	$R_L = 50 \Omega$ , $f = 10 \text{ MHz}$ , Switch OFF, See <a href="#">Figure 22</a>	25°C	2.5 V		-68		dB
Crosstalk	$X_{TALK}$	$R_L = 50 \Omega$ , $f = 10 \text{ MHz}$ , Switch ON, See <a href="#">Figure 23</a>	25°C	2.5 V		-66		dB
Total harmonic distortion	THD	$R_L = 600 \Omega$ , $C_L = 50 \text{ pF}$ , $f = 20 \text{ Hz to } 20 \text{ kHz}$ , See <a href="#">Figure 25</a>	25°C	2.5 V		0.35%		
<b>Supply</b>								
Positive supply current	$I_{CC}$	$V_{IN} = V_{CC}$ or GND, Switch ON or OFF	25°C	2.7 V	0.1		1	$\mu\text{A}$
			Full				5	

## 6.8 Electrical Characteristics For 1.8-V Supply<sup>(1)</sup>

 $V_{CC} = 1.65\text{ V to }1.95\text{ V}$ ,  $T_A = -40^\circ\text{C to }85^\circ\text{C}$  (unless otherwise noted)

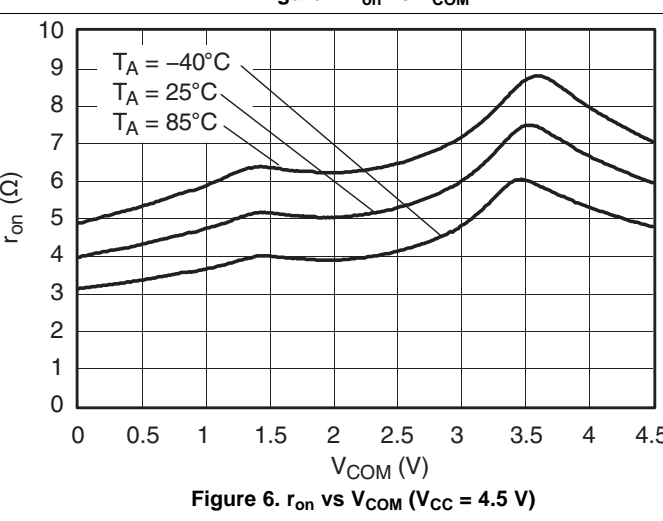
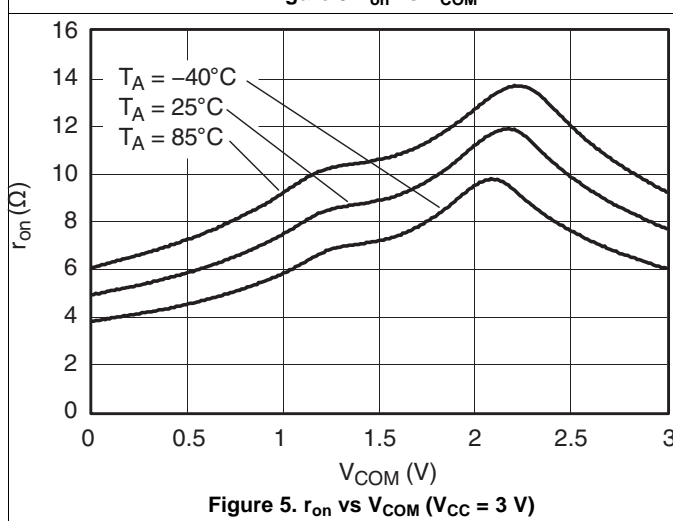
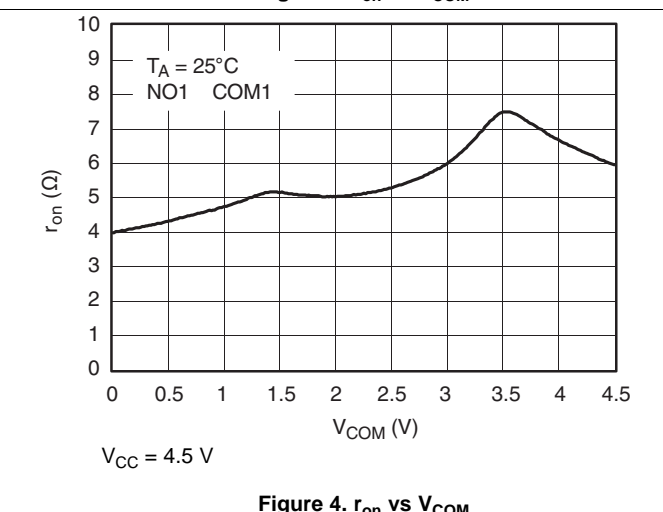
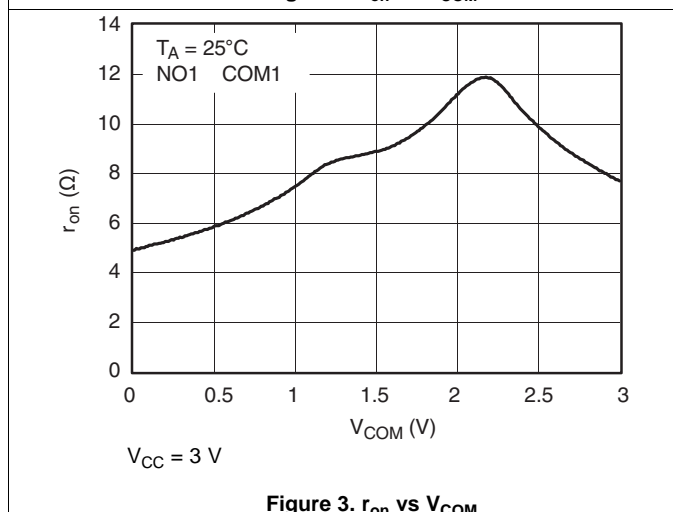
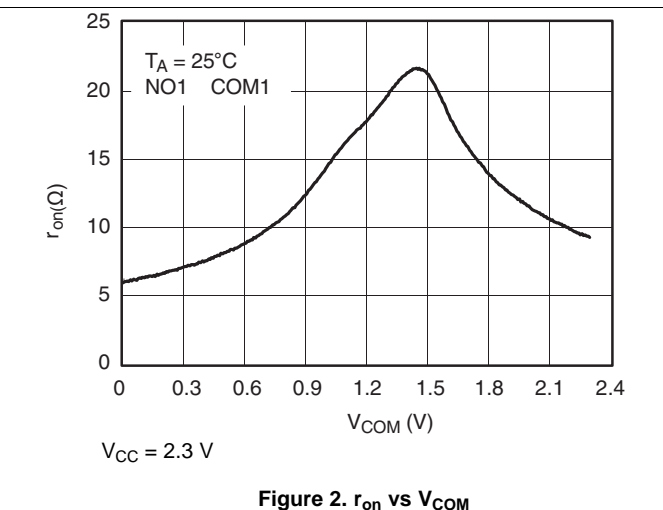
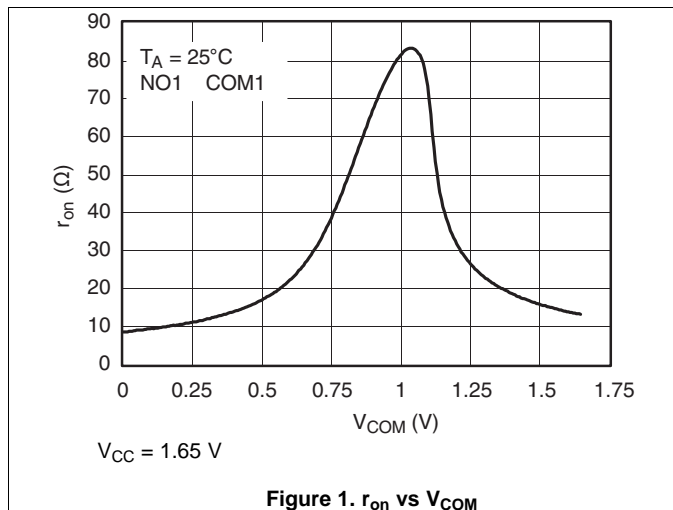
PARAMETER	SYMBOL	TEST CONDITIONS	$T_A$	$V_{CC}$	MIN	TYP	MAX	UNIT
<b>Analog Switch</b>								
Analog signal range	$V_{COM}, V_{NO}$				0		$V_{CC}$	V
ON-state resistance	$r_{on}$	$0 \leq V_{NO} \leq V_{CC}$ , $I_{COM} = -4\text{ mA}$ , Switch ON, See <a href="#">Figure 16</a>	25°C	1.65 V	85		120	$\Omega$
			Full					
ON-state resistance match between channels	$\Delta r_{on}$	$V_{NO} = 1.15\text{ V}$ , $I_{COM} = -4\text{ mA}$ , Switch ON, See <a href="#">Figure 16</a>	25°C	1.65 V	0.9		2	$\Omega$
			Full					
ON-state resistance flatness	$r_{on(Flat)}$	$0 \leq V_{NO} \leq V_{CC}$ , $I_{COM} = -4\text{ mA}$ , Switch ON, See <a href="#">Figure 16</a>	25°C	1.65 V	75		85	$\Omega$
			Full					
NO OFF leakage current	$I_{NO(OFF)}$	$V_{NO} = 0.3\text{ V}$ , $V_{COM} = 1.65\text{ V}$ , or $V_{NO} = 1.65\text{ V}$ , $V_{COM} = 0.3\text{ V}$ , Switch OFF, See <a href="#">Figure 17</a>	25°C	1.95 V	-30	-6	30	nA
			Full		-40		40	
COM OFF leakage current	$I_{COM(OFF)}$	$V_{COM} = 0.3\text{ V}$ , $V_{NO} = 1.65\text{ V}$ , or $V_{COM} = 1.65\text{ V}$ , $V_{NO} = 0.3\text{ V}$ , Switch OFF, See <a href="#">Figure 17</a>	25°C	1.95 V	-50	-7	50	nA
			Full		-50		50	
NO ON leakage current	$I_{NO(ON)}$	$V_{NO} = 0.3\text{ V}$ , $V_{COM} = \text{Open}$ , or $V_{NO} = 1.65\text{ V}$ , $V_{COM} = \text{Open}$ , Switch ON, See <a href="#">Figure 18</a>	25°C	1.95 V	-40	7	40	nA
			Full		-40		40	
COM ON leakage current	$I_{COM(ON)}$	$V_{COM} = 0.3\text{ V}$ , $V_{NO} = \text{Open}$ , or $V_{COM} = 1.65\text{ V}$ , $V_{NO} = \text{Open}$ , Switch ON, See <a href="#">Figure 18</a>	25°C	1.95 V	-70	-8.5	70	nA
			Full		-70		70	
<b>Digital Control Input (IN)</b>								
Input logic high	$V_{IH}$		Full		$V_{CC} \times 0.65$		5.5	V
Input logic low	$V_{IL}$		Full		0	$V_{CC} \times 0.35$		V
Input leakage current	$I_{IH}, I_{IL}$	$V_{IN} = 5.5\text{ V or }0$	25°C	1.95 V	-0.1	0.05	0.1	$\mu\text{A}$
			Full		-1		1	

(1) The algebraic convention, whereby the most negative value is a minimum and the most positive value is a maximum.

**Electrical Characteristics For 1.8-V Supply<sup>(1)</sup> (continued)**
 $V_{CC} = 1.65\text{ V to }1.95\text{ V}$ ,  $T_A = -40^\circ\text{C to }85^\circ\text{C}$  (unless otherwise noted)

PARAMETER	SYMBOL	TEST CONDITIONS	$T_A$	$V_{CC}$	MIN	TYP	MAX	UNIT
<b>Dynamic</b>								
Turn-on time	$t_{ON}$	$V_{COM} = 1.3\text{ V}$ , $R_L = 300\ \Omega$ , $C_L = 35\text{ pF}$ , See <a href="#">Figure 20</a>	25°C	1.8 V	9.3	10.4	11.5	ns
			Full	1.65 V to 1.95 V	6.8		12.9	
Turn-off time	$t_{OFF}$	$V_{COM} = 1.3\text{ V}$ , $R_L = 300\ \Omega$ , $C_L = 35\text{ pF}$ , See <a href="#">Figure 20</a>	25°C	1.8 V	3.3	4.3	5.2	ns
			Full	1.65 V to 1.95 V	2.4		6.5	
Charge injection	$Q_C$	$V_{GEN} = 0$ , $R_{GEN} = 0$ , $C_L = 0.1\text{ nF}$ , See <a href="#">Figure 24</a>	25°C	1.8 V		0.5		pC
NO OFF capacitance	$C_{NO(OFF)}$	$V_{NO} = V_{CC}$ or GND, Switch OFF, See <a href="#">Figure 19</a>	25°C	1.8 V		6		pF
COM OFF capacitance	$C_{COM(OFF)}$	$V_{COM} = V_{CC}$ or GND, Switch OFF, See <a href="#">Figure 19</a>	25°C	1.8 V		6		pF
NO ON capacitance	$C_{NO(ON)}$	$V_{NO} = V_{CC}$ or GND, Switch ON, See <a href="#">Figure 19</a>	25°C	1.8 V		14.5		pF
COM ON capacitance	$C_{COM(ON)}$	$V_{COM} = V_{CC}$ or GND, Switch ON, See <a href="#">Figure 19</a>	25°C	1.8 V		14.5		pF
Digital input capacitance	$C_{IN}$	$V_{IN} = V_{CC}$ or GND, See <a href="#">Figure 19</a>	25°C	1.8 V		3		pF
Bandwidth	BW	$R_L = 50\ \Omega$ , Switch ON, See <a href="#">Figure 21</a>	25°C	1.8 V		293		MHz
OFF isolation	$O_{ISO}$	$R_L = 50\ \Omega$ , $f = 10\text{ MHz}$ , Switch OFF, See <a href="#">Figure 22</a>	25°C	1.8 V		-68		dB
Crosstalk	$X_{TALK}$	$R_L = 50\ \Omega$ , $f = 10\text{ MHz}$ , Switch ON, See <a href="#">Figure 23</a>	25°C	1.8 V		-66		dB
Total harmonic distortion	THD	$R_L = 10\text{ k}\Omega$ , $C_L = 50\text{ pF}$ , $f = 20\text{ Hz to }20\text{ kHz}$ , See <a href="#">Figure 25</a>	25°C	1.8 V		2.7%		
<b>Supply</b>								
Positive supply current	$I_{CC}$	$V_{IN} = V_{CC}$ or GND, Switch ON or OFF	25°C	1.95 V	0.1		1	$\mu\text{A}$
			Full				5	

### 6.9 Typical Performance



Typical Performance (continued)

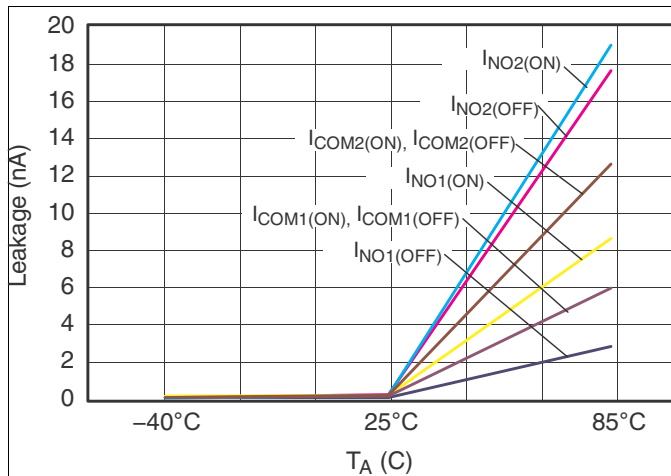


Figure 7. Leakage Current vs Temperature

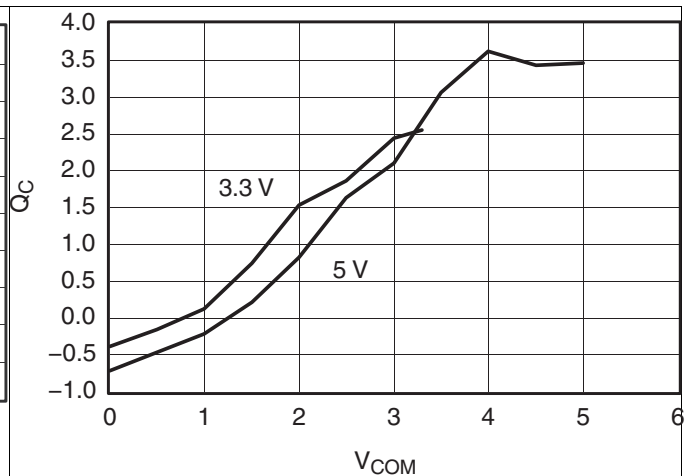


Figure 8. Charge Injection (QC) vs VCOM

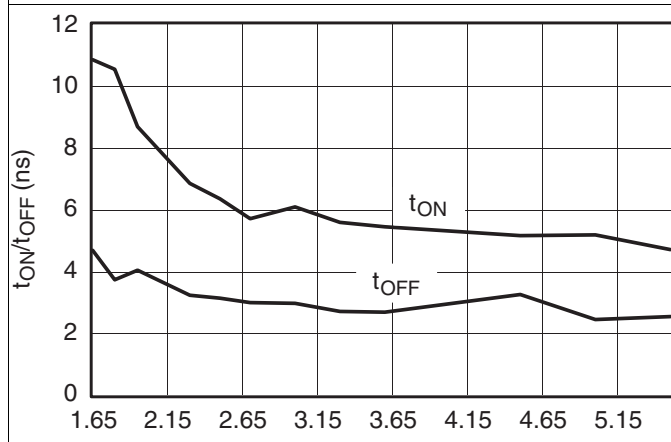


Figure 9. tON and tOFF vs VCC

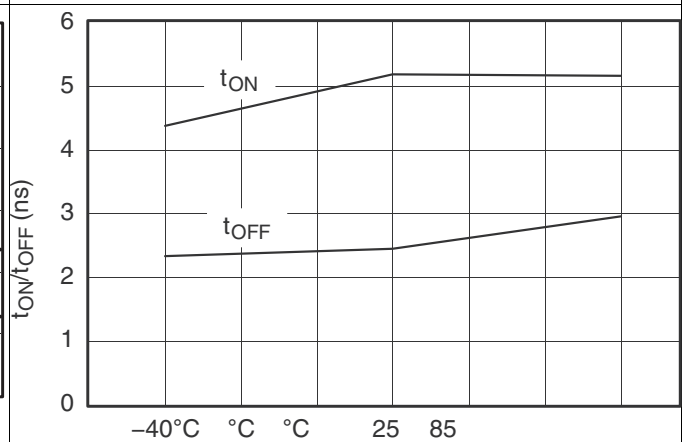


Figure 10. tON and tOFF vs Temperature (VCC = 5 V)

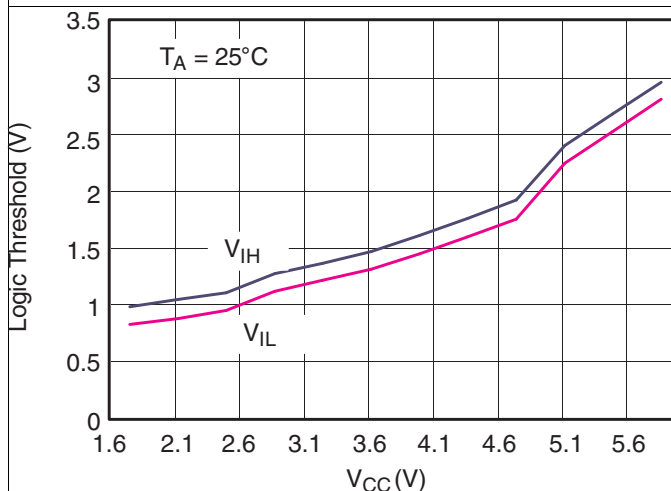


Figure 11. Logic Threshold vs VCC

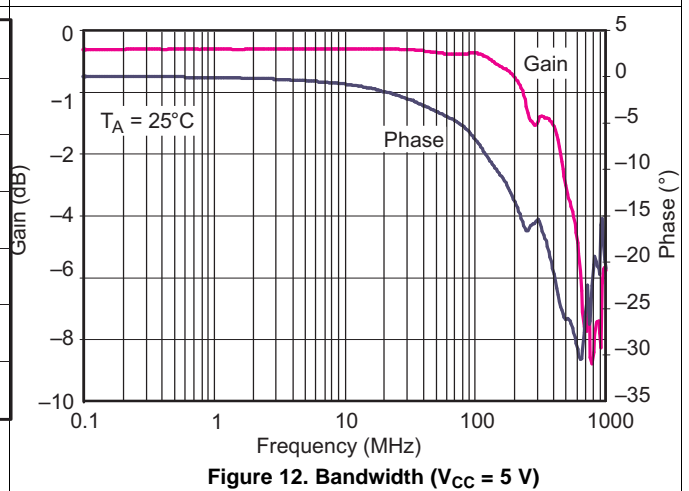


Figure 12. Bandwidth (VCC = 5 V)

Typical Performance (continued)

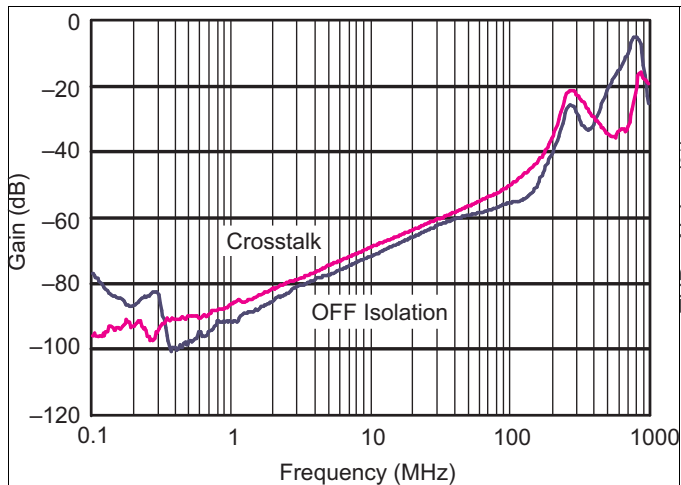


Figure 13. OFF Isolation and Crosstalk ( $V_{CC} = 5\text{ V}$ )

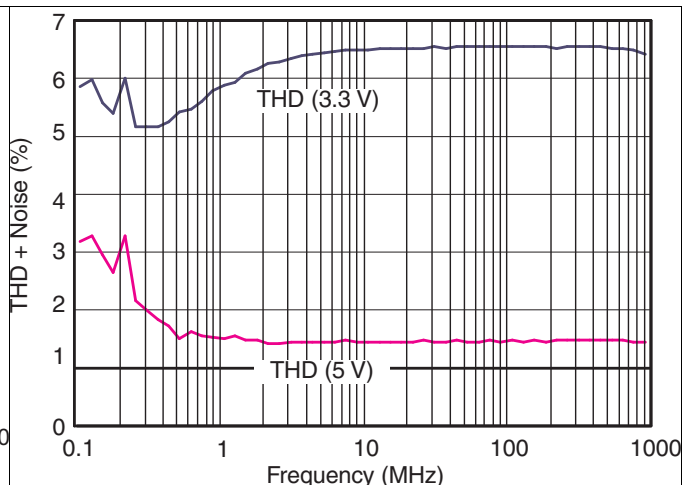


Figure 14. Total Harmonic Distortion vs Frequency

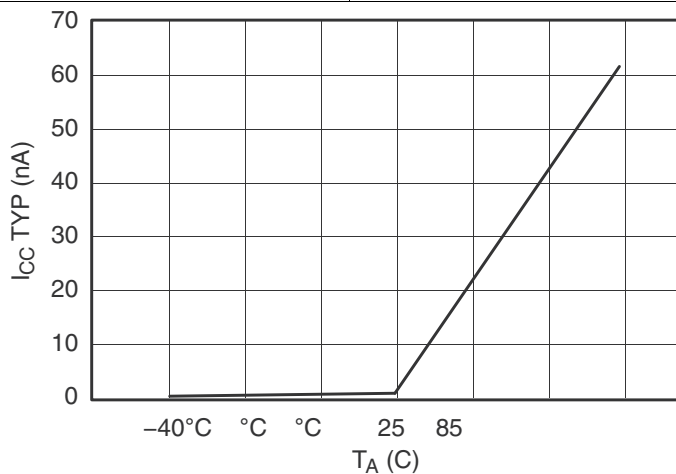


Figure 15. Power-Supply Current vs Temperature ( $V_{CC} = 5\text{ V}$ )

## 7 Parameter Measurement Information

**Table 1. Parameter Description**

SYMBOL	DESCRIPTION
$V_{COM}$	Voltage at COM
$V_{NO}$	Voltage at NO
$r_{on}$	Resistance between COM and NO ports when the channel is ON
$\Delta r_{on}$	Difference of $r_{on}$ between channels in a specific device
$r_{on(Flat)}$	Difference between the maximum and minimum value of $r_{on}$ in a channel over the specified range of conditions
$I_{NO(OFF)}$	Leakage current measured at the NO port, with the corresponding channel (NO to COM) in the OFF state
$I_{NO(ON)}$	Leakage current measured at the NO port, with the corresponding channel (NO to COM) in the ON state and the output (COM) open
$I_{COM(OFF)}$	Leakage current measured at the COM port, with the corresponding channel (COM to NO) in the OFF state
$I_{COM(ON)}$	Leakage current measured at the COM port, with the corresponding channel (COM to NO) in the ON state and the output (NO) open
$V_{IH}$	Minimum input voltage for logic high for the control input (IN)
$V_{IL}$	Maximum input voltage for logic low for the control input (IN)
$V_{IN}$	Voltage at the control input (IN)
$I_{IH}, I_{IL}$	Leakage current measured at the control input (IN)
$t_{ON}$	Turn-on time for the switch. This parameter is measured under the specified range of conditions and by the propagation delay between the digital control (IN) signal and analog output (COM or NO) signal when the switch is turning ON.
$t_{OFF}$	Turn-off time for the switch. This parameter is measured under the specified range of conditions and by the propagation delay between the digital control (IN) signal and analog output (COM or NO) signal when the switch is turning OFF.
$Q_C$	Charge injection is a measurement of unwanted signal coupling from the control (IN) input to the analog (NO or COM) output. This is measured in coulomb (C) and measured by the total charge induced due to switching of the control input. Charge injection, $Q_C = C_L \times \Delta V_{COM}$ , $C_L$ is the load capacitance and $\Delta V_{COM}$ is the change in analog output voltage.
$C_{NO(OFF)}$	Capacitance at the NO port when the corresponding channel (NO to COM) is OFF
$C_{NO(ON)}$	Capacitance at the NO port when the corresponding channel (NO to COM) is ON
$C_{COM(OFF)}$	Capacitance at the COM port when the corresponding channel (COM to NO) is OFF
$C_{COM(ON)}$	Capacitance at the COM port when the corresponding channel (COM to NO) is ON
$C_{IN}$	Capacitance of IN
$O_{ISO}$	OFF isolation of the switch is a measurement of OFF-state switch impedance. This is measured in dB in a specific frequency, with the corresponding channel (NO to COM) in the OFF state.
$X_{TALK}$	Crosstalk is a measurement of unwanted signal coupling from an ON channel to an adjacent ON channel (NC1 to NC2). This is measured in a specific frequency and in dB.
BW	Bandwidth of the switch. This is the frequency in which the gain of an ON channel is –3 dB below the DC gain.
THD	Total harmonic distortion is defined as the ratio of the root mean square (RMS) value of the second, third, and higher harmonics to the magnitude of fundamental harmonic.
$I_{CC}$	Static power-supply current with the control (IN) pin at $V_{CC}$ or GND



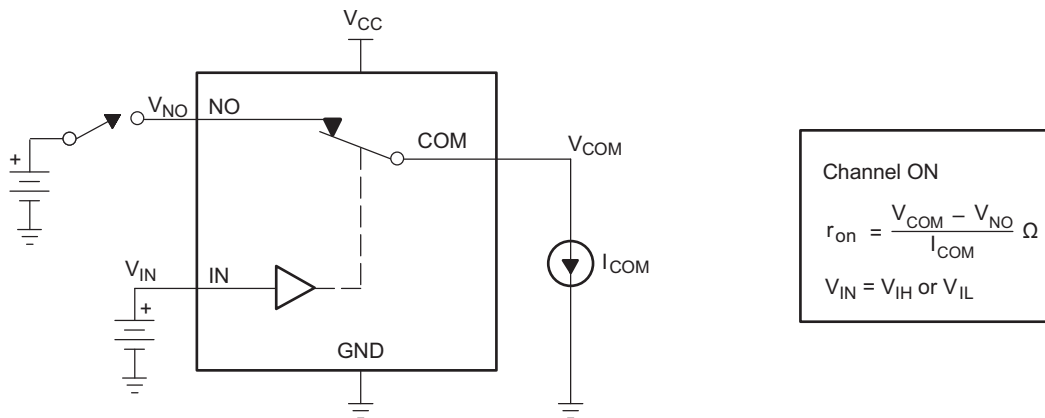


Figure 16. ON-State Resistance ( $r_{on}$ )

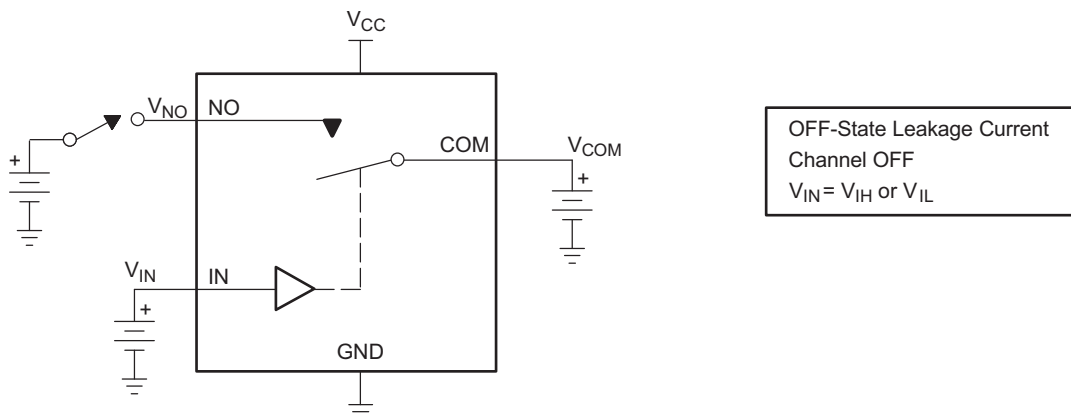


Figure 17. OFF-State Leakage Current ( $I_{COM(OFF)}$ ,  $I_{NO(OFF)}$ )

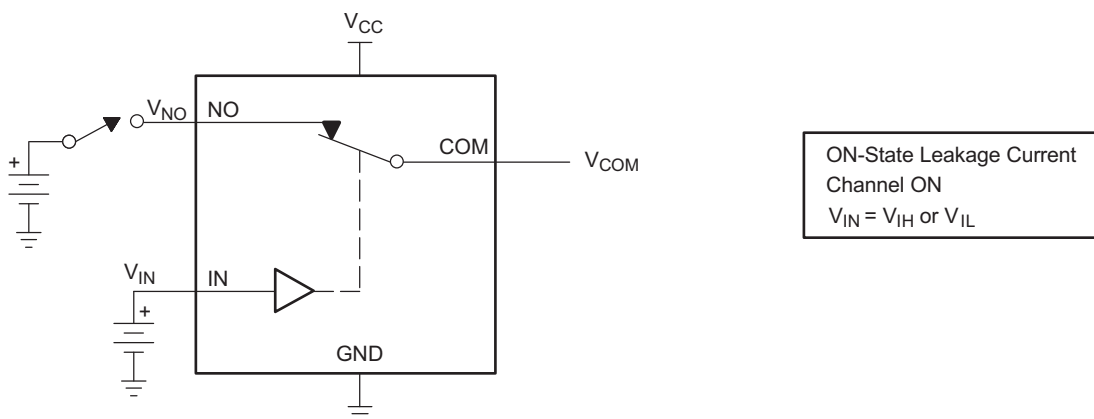


Figure 18. ON-State Leakage Current ( $I_{COM(ON)}$ ,  $I_{NO(ON)}$ )

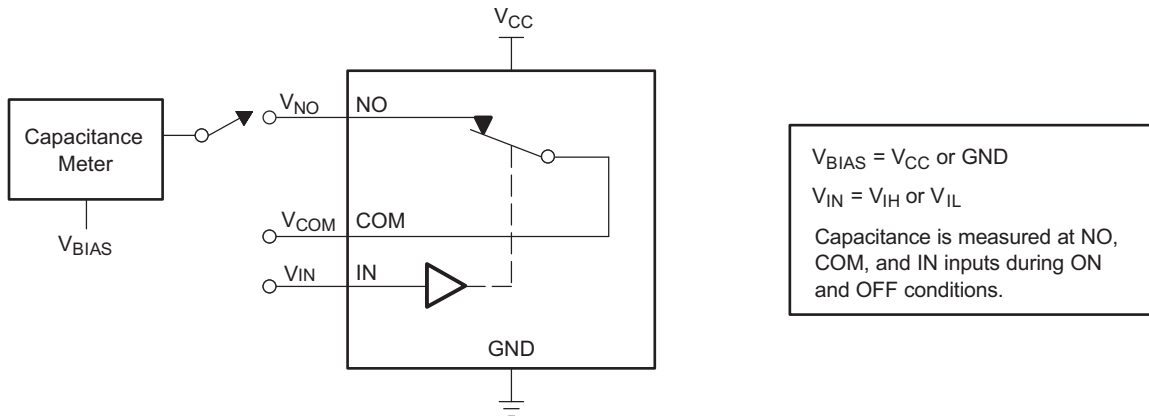
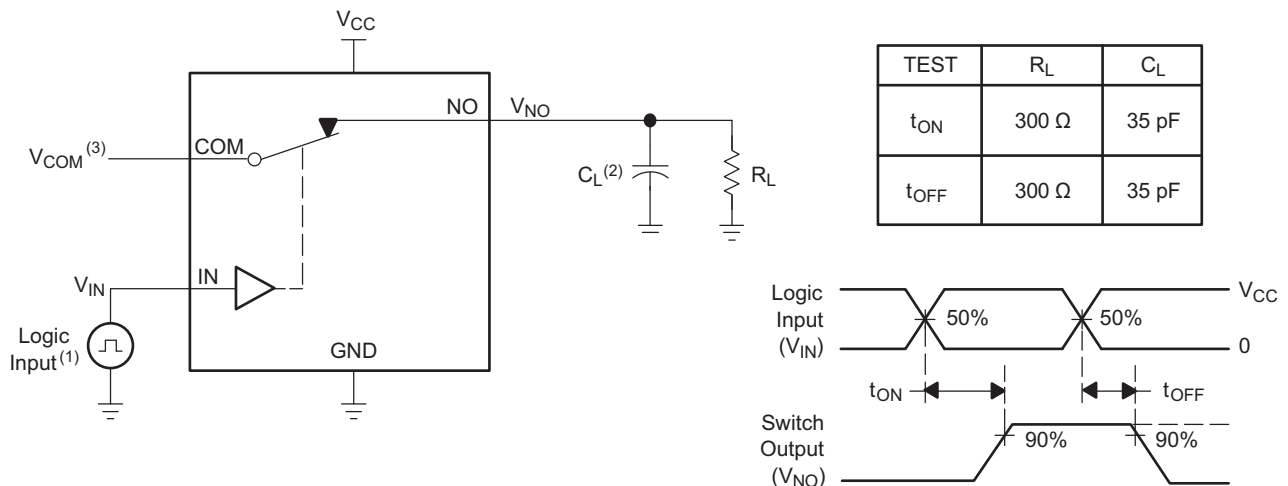


Figure 19. Capacitance ( $C_{IN}$ ,  $C_{COM(OFF)}$ ,  $C_{COM(ON)}$ ,  $C_{NO(OFF)}$ ,  $C_{NO(ON)}$ )



- (1) All input pulses are supplied by generators having the following characteristics: PRR  $\leq$  10 MHz,  $Z_O = 50 \Omega$ ,  $t_r < 5$  ns,  $t_f < 5$  ns.
- (2)  $C_L$  includes probe and jig capacitance.
- (3) See [Electrical Characteristics tables](#) for  $V_{COM}$ .

Figure 20. Turn-On ( $t_{ON}$ ) and Turn-Off Time ( $t_{OFF}$ )

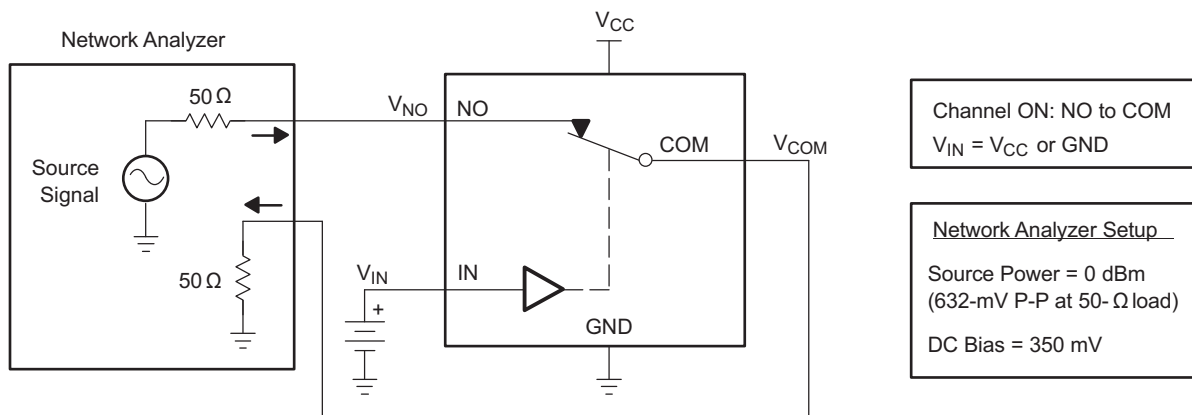


Figure 21. Bandwidth (BW)

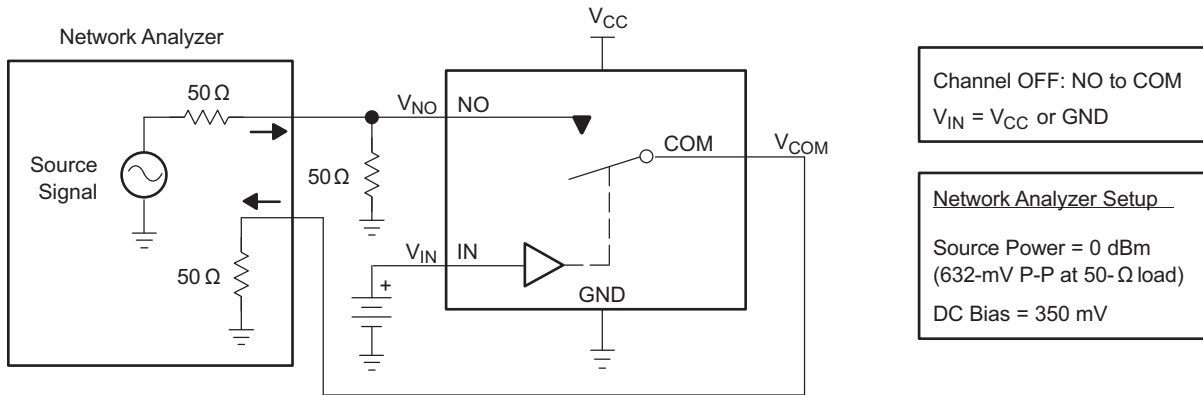


Figure 22. OFF Isolation ( $O_{ISO}$ )

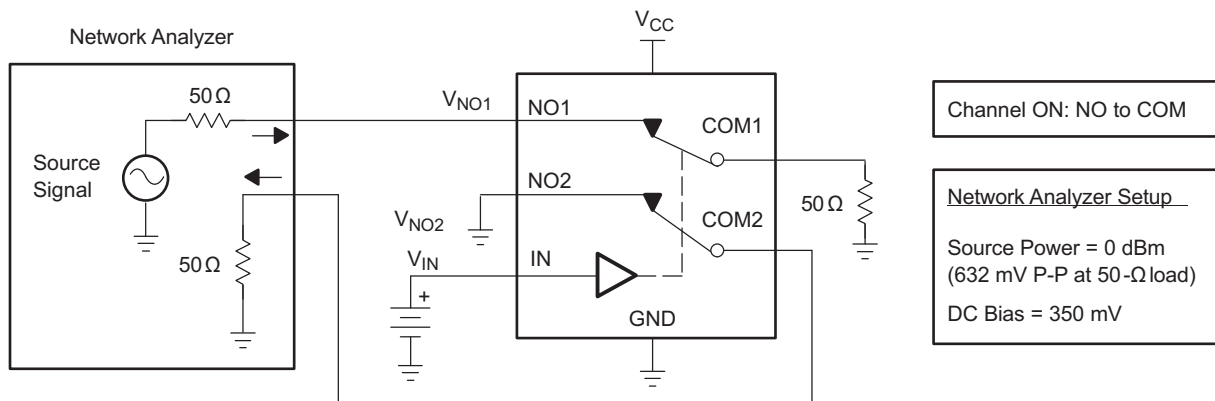
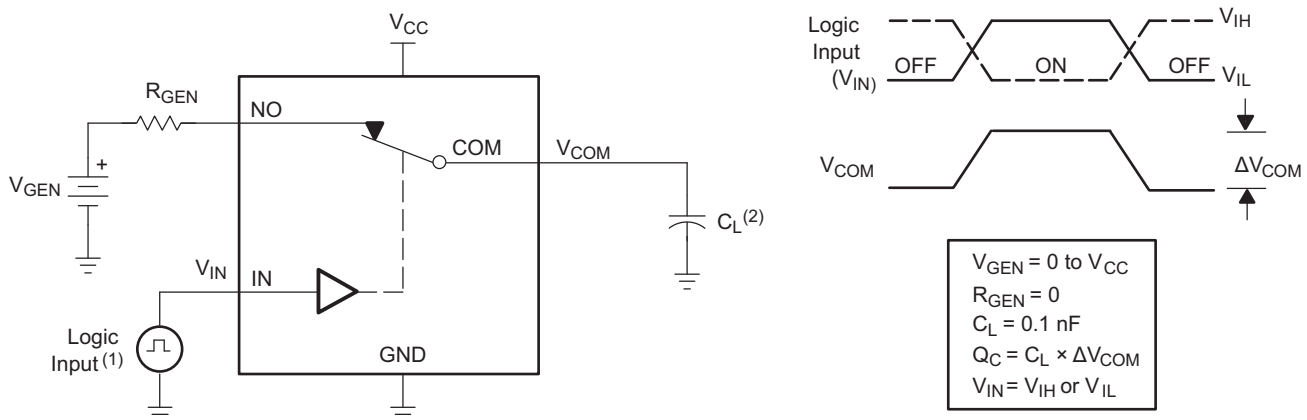
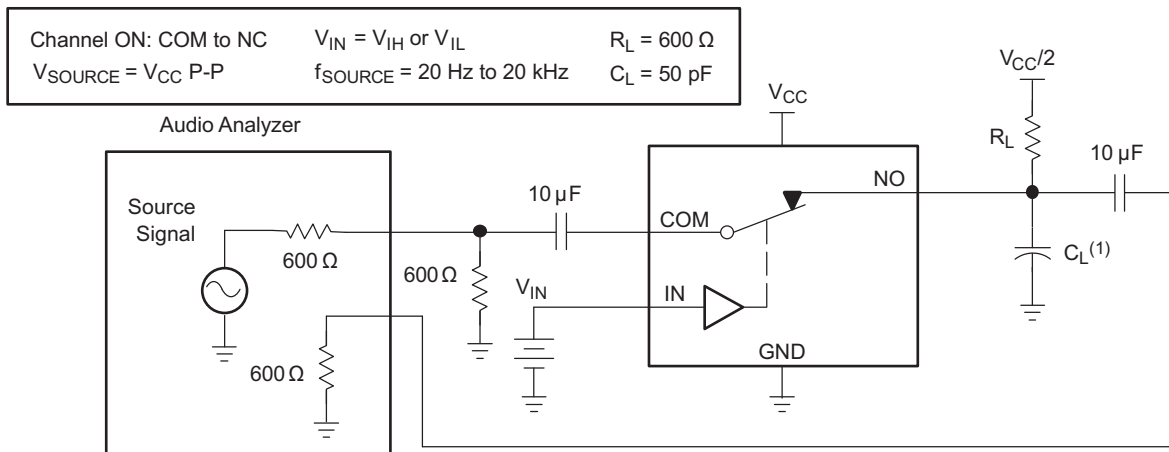


Figure 23. Crosstalk ( $X_{TALK}$ )



- (1) All input pulses are supplied by generators having the following characteristics:  $PRR \leq 10$  MHz,  $Z_O = 50 \Omega$ ,  $t_r < 5$  ns,  $t_f < 5$  ns.
- (2)  $C_L$  includes probe and jig capacitance.

Figure 24. Charge Injection ( $Q_C$ )



(1)  $C_L$  includes probe and jig capacitance.

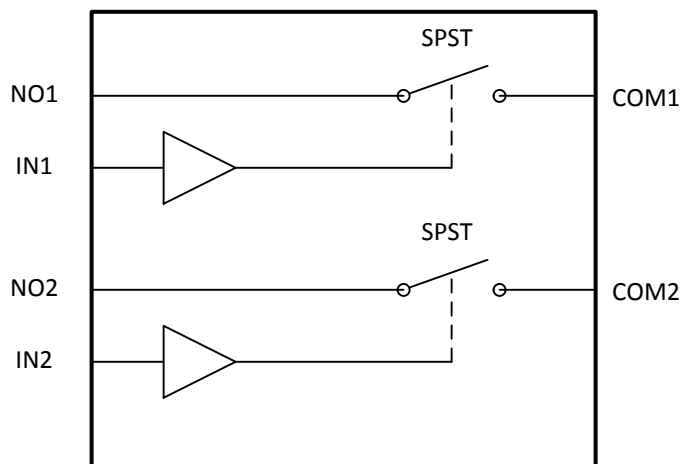
**Figure 25. Total Harmonic Distortion (THD)**

## 8 Detailed Description

### 8.1 Overview

The TS5A2066 device is a 2-channel single-pole single-throw (1:1 SPST) analog switch that is designed to operate from 1.65 V to 5.5 V. This device can handle both digital and analog signals, and signals up to  $V_{CC}$  can be transmitted in either direction

### 8.2 Functional Block Diagram



### 8.3 Feature Description

5-V tolerant control inputs allow 5-V logic levels to be present on the IN pin irrespective of the voltage on VCC pin.

Low ON-resistance and THD performance allows minimal signal distortion through device.

### 8.4 Device Functional Modes

Table 2 shows the functional modes for TS5A23166.

Table 2. Function Table

IN	NO TO COM, COM TO NO
L	OFF
H	ON

## 9 Application and Implementation

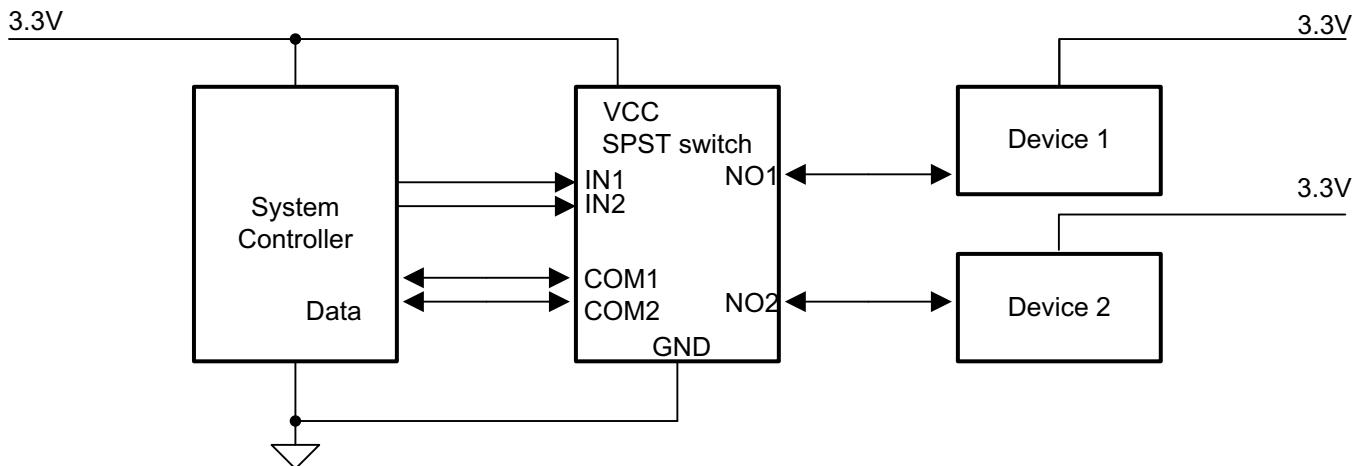
### NOTE

Information in the following applications sections is not part of the TI component specification, and TI does not warrant its accuracy or completeness. TI's customers are responsible for determining suitability of components for their purposes. Customers should validate and test their design implementation to confirm system functionality.

### 9.1 Application Information

The TS5A2066 2-channel, 1:1 SPST analog switch is a basic component that could be used in any electrical system design that signal isolation.

### 9.2 Typical Application



**Figure 26. Typical Application Circuit**

#### 9.2.1 Design Requirements

Ensure that all of the signals passing through the switch are within the specified ranges in the recommended operating conditions to ensure proper performance.

#### 9.2.2 Detailed Design Procedure

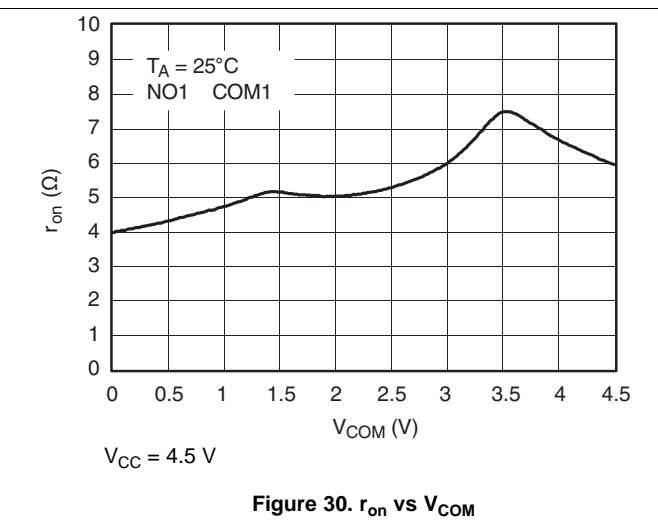
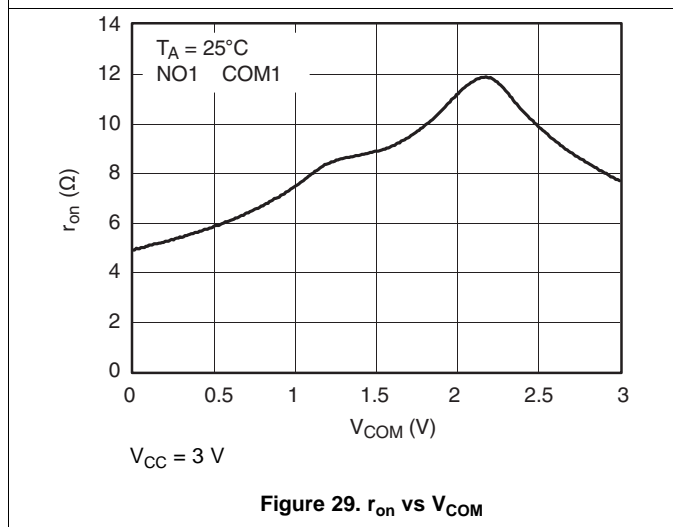
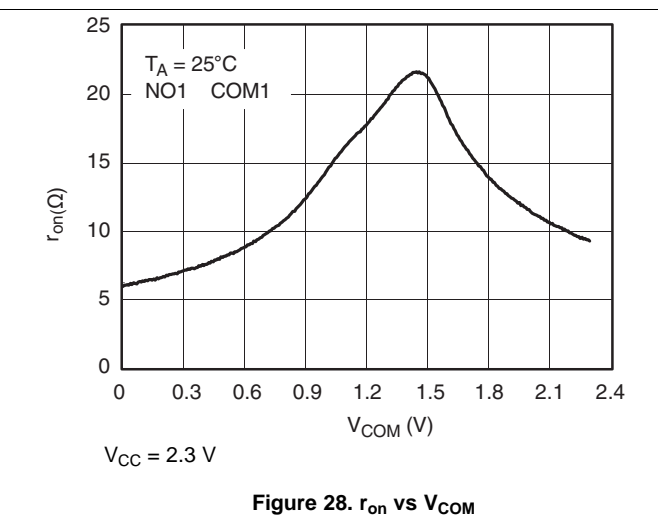
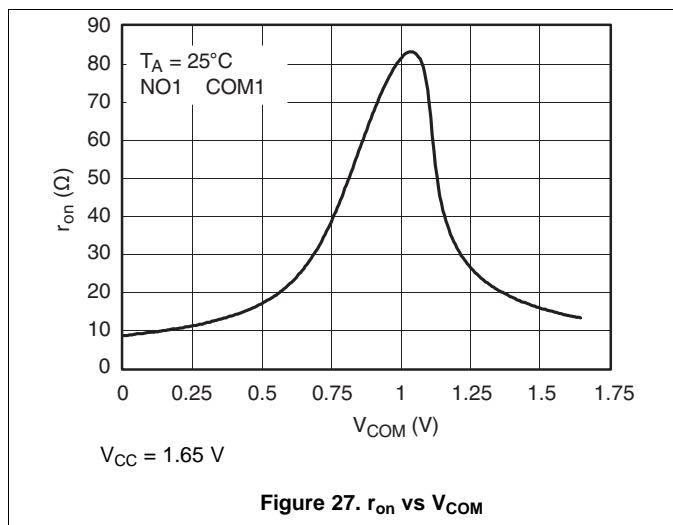
The TS5A2066 can be properly operated without any external components.

Unused signal path pins COM or NO maybe left floating or connected to ground through a 50-Ω resistor to prevent signal reflections back into the device.

TI recommends that the digital control pins (INX) be pulled up to VCC or down to GND to avoid undesired switch positions that could result from the floating pin. Leaving the logic pins floating may increase  $I_{CC}$ . Refer to the TI application report, [Implications of Slow or Floating CMOS Inputs \(SCBA004\)](#), for further details.

## Typical Application (continued)

### 9.2.3 Application Curves



## 10 Power Supply Recommendations

Proper power-supply sequencing is recommended for all CMOS devices. Do not exceed the absolute maximum ratings, because stresses beyond the listed ratings can cause permanent damage to the device. Always sequence VCC on first, followed by NO, NC, or COM. Although it is not required, power-supply bypassing improves noise margin and prevents switching noise propagation from the VCC supply to other components. A 0.1- $\mu$ F capacitor, connected from VCC to GND, is adequate for most applications. Copyright

## 11 Layout

### 11.1 Layout Guidelines

High-speed switches require proper layout and design procedures for optimum performance. Reduce stray inductance and capacitance by keeping traces short and wide. Ensure that bypass capacitors are as close to the device as possible. Use large ground planes where possible.

### 11.2 Layout Example

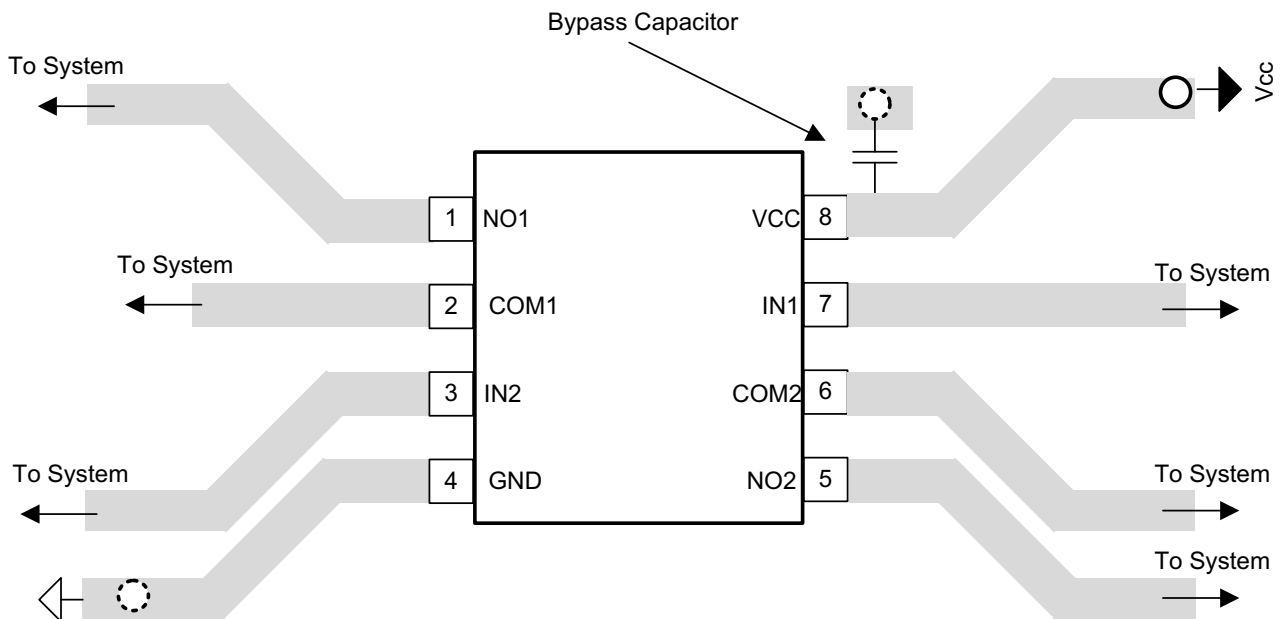
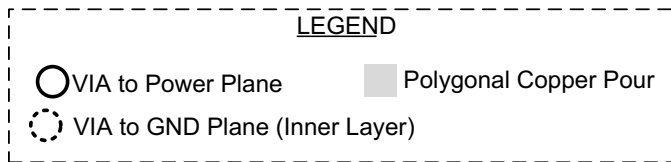


Figure 31. Layout Example



## 12 器件和文档支持

### 12.1 接收文档更新通知

要接收文档更新通知，请导航至 [TI.com.cn](http://TI.com.cn) 上的器件产品文件夹。单击右上角的 [通知我](#) 进行注册，即可每周接收产品信息更改摘要。有关更改的详细信息，请查看任何已修订文档中包含的修订历史记录。

### 12.2 社区资源

下列链接提供到 TI 社区资源的连接。链接的内容由各个分销商“按照原样”提供。这些内容并不构成 TI 技术规范，并且不一定反映 TI 的观点；请参阅 TI 的 [《使用条款》](#)。

**TI E2E™ 在线社区** [TI 的工程师对工程师 \(E2E\) 社区](#)。此社区的创建目的在于促进工程师之间的协作。在 [e2e.ti.com](http://e2e.ti.com) 中，您可以咨询问题、分享知识、拓展思路并与同行工程师一道帮助解决问题。

**设计支持** [TI 参考设计支持](#) 可帮助您快速查找有帮助的 E2E 论坛、设计支持工具以及技术支持的联系信息。

### 12.3 商标

E2E is a trademark of Texas Instruments.

All other trademarks are the property of their respective owners.

### 12.4 静电放电警告



ESD 可能会损坏该集成电路。德州仪器 (TI) 建议通过适当的预防措施处理所有集成电路。如果不遵守正确的处理措施和安装程序，可能会损坏集成电路。

ESD 的损坏小至导致微小的性能降级，大至整个器件故障。精密的集成电路可能更容易受到损坏，这是因为非常细微的参数更改都可能会导致器件与其发布的规格不相符。

### 12.5 术语表

[SLYZ022](#) — *TI 术语表*。

这份术语表列出并解释术语、缩写和定义。

## 13 机械、封装和可订购信息

以下页面包含机械、封装和可订购信息。这些信息是指定器件的最新可用数据。数据如有变更，恕不另行通知，且不会对此文档进行修订。如需获取此数据表的浏览器版本，请查阅左侧的导航栏。

**PACKAGING INFORMATION**

Orderable Device	Status (1)	Package Type	Package Drawing	Pins	Package Qty	Eco Plan (2)	Lead finish/ Ball material (6)	MSL Peak Temp (3)	Op Temp (°C)	Device Marking (4/5)	Samples
TS5A2066DCTR	ACTIVE	SM8	DCT	8	3000	RoHS & Green	NIPDAU	Level-1-260C-UNLIM	-40 to 85	JAG Z	<a href="#">Samples</a>
TS5A2066DCUR	ACTIVE	VSSOP	DCU	8	3000	RoHS & Green	NIPDAU	Level-1-260C-UNLIM	-40 to 85	JAGR	<a href="#">Samples</a>
TS5A2066DCURE4	ACTIVE	VSSOP	DCU	8	3000	RoHS & Green	NIPDAU	Level-1-260C-UNLIM	-40 to 85	JAGR	<a href="#">Samples</a>
TS5A2066DCURG4	ACTIVE	VSSOP	DCU	8	3000	RoHS & Green	NIPDAU	Level-1-260C-UNLIM	-40 to 85	JAGR	<a href="#">Samples</a>
TS5A2066YZPR	ACTIVE	DSBGA	YZP	8	3000	RoHS & Green	SNAGCU	Level-1-260C-UNLIM	-40 to 85	J4N	<a href="#">Samples</a>

(1) The marketing status values are defined as follows:

**ACTIVE:** Product device recommended for new designs.

**LIFEBUY:** TI has announced that the device will be discontinued, and a lifetime-buy period is in effect.

**NRND:** Not recommended for new designs. Device is in production to support existing customers, but TI does not recommend using this part in a new design.

**PREVIEW:** Device has been announced but is not in production. Samples may or may not be available.

**OBSOLETE:** TI has discontinued the production of the device.

(2) **RoHS:** TI defines "RoHS" to mean semiconductor products that are compliant with the current EU RoHS requirements for all 10 RoHS substances, including the requirement that RoHS substance do not exceed 0.1% by weight in homogeneous materials. Where designed to be soldered at high temperatures, "RoHS" products are suitable for use in specified lead-free processes. TI may reference these types of products as "Pb-Free".

**RoHS Exempt:** TI defines "RoHS Exempt" to mean products that contain lead but are compliant with EU RoHS pursuant to a specific EU RoHS exemption.

**Green:** TI defines "Green" to mean the content of Chlorine (Cl) and Bromine (Br) based flame retardants meet JS709B low halogen requirements of <=1000ppm threshold. Antimony trioxide based flame retardants must also meet the <=1000ppm threshold requirement.

(3) MSL, Peak Temp. - The Moisture Sensitivity Level rating according to the JEDEC industry standard classifications, and peak solder temperature.

(4) There may be additional marking, which relates to the logo, the lot trace code information, or the environmental category on the device.

(5) Multiple Device Markings will be inside parentheses. Only one Device Marking contained in parentheses and separated by a "~" will appear on a device. If a line is indented then it is a continuation of the previous line and the two combined represent the entire Device Marking for that device.

(6) Lead finish/Ball material - Orderable Devices may have multiple material finish options. Finish options are separated by a vertical ruled line. Lead finish/Ball material values may wrap to two lines if the finish value exceeds the maximum column width.

**Important Information and Disclaimer:** The information provided on this page represents TI's knowledge and belief as of the date that it is provided. TI bases its knowledge and belief on information provided by third parties, and makes no representation or warranty as to the accuracy of such information. Efforts are underway to better integrate information from third parties. TI has taken and continues to take reasonable steps to provide representative and accurate information but may not have conducted destructive testing or chemical analysis on incoming materials and chemicals. TI and TI suppliers consider certain information to be proprietary, and thus CAS numbers and other limited information may not be available for release.

In no event shall TI's liability arising out of such information exceed the total purchase price of the TI part(s) at issue in this document sold by TI to Customer on an annual basis.

## TAPE AND REEL INFORMATION



### QUADRANT ASSIGNMENTS FOR PIN 1 ORIENTATION IN TAPE



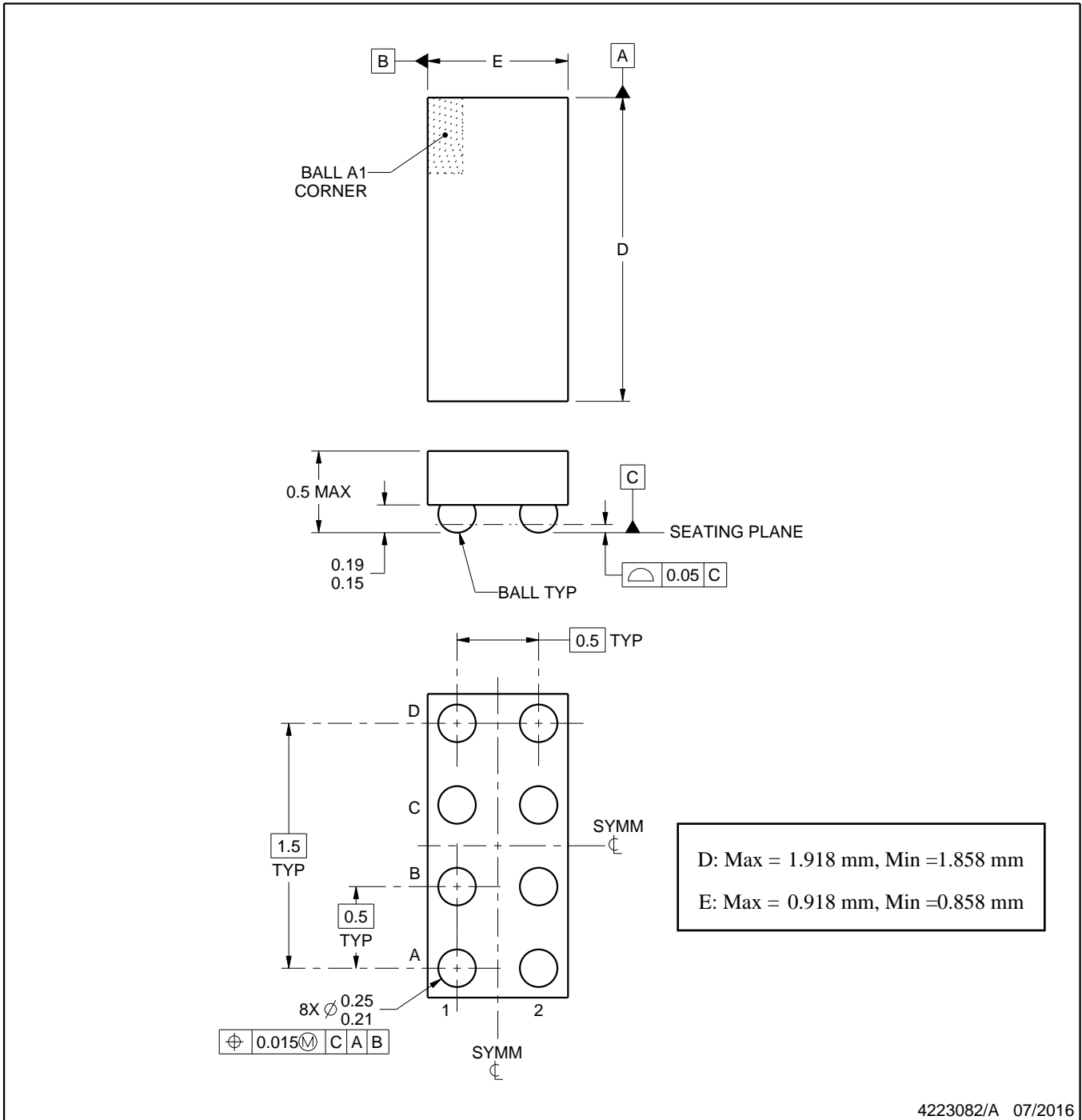
\*All dimensions are nominal

Device	Package Type	Package Drawing	Pins	SPQ	Reel Diameter (mm)	Reel Width W1 (mm)	A0 (mm)	B0 (mm)	K0 (mm)	P1 (mm)	W (mm)	Pin1 Quadrant
TS5A2066DCTR	SM8	DCT	8	3000	180.0	13.0	3.35	4.5	1.55	4.0	12.0	Q3
TS5A2066DCUR	VSSOP	DCU	8	3000	180.0	8.4	2.25	3.35	1.05	4.0	8.0	Q3
TS5A2066DCURG4	VSSOP	DCU	8	3000	180.0	8.4	2.25	3.35	1.05	4.0	8.0	Q3
TS5A2066YZPR	DSBGA	YZP	8	3000	178.0	9.2	1.02	2.02	0.63	4.0	8.0	Q1

**TAPE AND REEL BOX DIMENSIONS**


\*All dimensions are nominal

Device	Package Type	Package Drawing	Pins	SPQ	Length (mm)	Width (mm)	Height (mm)
TS5A2066DCTR	SM8	DCT	8	3000	182.0	182.0	20.0
TS5A2066DCUR	VSSOP	DCU	8	3000	202.0	201.0	28.0
TS5A2066DCURG4	VSSOP	DCU	8	3000	202.0	201.0	28.0
TS5A2066YZPR	DSBGA	YZP	8	3000	220.0	220.0	35.0



NOTES:

1. All linear dimensions are in millimeters. Any dimensions in parenthesis are for reference only. Dimensioning and tolerancing per ASME Y14.5M.
2. This drawing is subject to change without notice.

# EXAMPLE BOARD LAYOUT

YZP0008

DSBGA - 0.5 mm max height

DIE SIZE BALL GRID ARRAY



LAND PATTERN EXAMPLE  
SCALE:40X



SOLDER MASK DETAILS  
NOT TO SCALE

4223082/A 07/2016

NOTES: (continued)

3. Final dimensions may vary due to manufacturing tolerance considerations and also routing constraints. For more information, see Texas Instruments literature number SNVA009 ([www.ti.com/lit/snva009](http://www.ti.com/lit/snva009)).

# EXAMPLE STENCIL DESIGN

YZP0008

DSBGA - 0.5 mm max height

DIE SIZE BALL GRID ARRAY



SOLDER PASTE EXAMPLE  
BASED ON 0.1 mm THICK STENCIL  
SCALE:40X

4223082/A 07/2016

NOTES: (continued)

4. Laser cutting apertures with trapezoidal walls and rounded corners may offer better paste release.





4225266/A 09/2014

NOTES:

1. All linear dimensions are in millimeters. Any dimensions in parenthesis are for reference only. Dimensioning and tolerancing per ASME Y14.5M.
2. This drawing is subject to change without notice.
3. This dimension does not include mold flash, protrusions, or gate burrs. Mold flash, protrusions, or gate burrs shall not exceed 0.15 mm per side.
4. Reference JEDEC registration MO-187 variation CA.

# EXAMPLE BOARD LAYOUT

DCU0008A

VSSOP - 0.9 mm max height

SMALL OUTLINE PACKAGE



LAND PATTERN EXAMPLE  
EXPOSED METAL SHOWN  
SCALE: 25X



4225266/A 09/2014

NOTES: (continued)

- 5. Publication IPC-7351 may have alternate designs.
- 6. Solder mask tolerances between and around signal pads can vary based on board fabrication site.

# EXAMPLE STENCIL DESIGN

DCU0008A

VSSOP - 0.9 mm max height

SMALL OUTLINE PACKAGE



SOLDER PASTE EXAMPLE  
BASED ON 0.125 mm THICK STENCIL  
SCALE: 25X

4225266/A 09/2014

NOTES: (continued)

7. Laser cutting apertures with trapezoidal walls and rounded corners may offer better paste release. IPC-7525 may have alternate design recommendations.
8. Board assembly site may have different recommendations for stencil design.



4220784/C 06/2021

NOTES:

1. All linear dimensions are in millimeters. Dimensions in parenthesis are for reference only. Dimensioning and tolerancing per ASME Y14.5M.
2. This drawing is subject to change without notice.
3. This dimension does not include mold flash, protrusions, or gate burrs. Mold flash, protrusions, or gate burrs shall not exceed 0.15 mm per side.
4. This dimension does not include interlead flash. Interlead flash shall not exceed 0.25 mm per side.

# EXAMPLE BOARD LAYOUT

DCT0008A

SSOP - 1.3 mm max height

SMALL OUTLINE PACKAGE



LAND PATTERN EXAMPLE  
EXPOSED METAL SHOWN  
SCALE:15X



SOLDER MASK DETAILS

4220784/C 06/2021

NOTES: (continued)

- 5. Publication IPC-7351 may have alternate designs.
- 6. Solder mask tolerances between and around signal pads can vary based on board fabrication site.

# EXAMPLE STENCIL DESIGN

DCT0008A

SSOP - 1.3 mm max height

SMALL OUTLINE PACKAGE



SOLDER PASTE EXAMPLE  
BASED ON 0.125 mm THICK STENCIL  
SCALE:15X

4220784/C 06/2021

NOTES: (continued)

7. Laser cutting apertures with trapezoidal walls and rounded corners may offer better paste release. IPC-7525 may have alternate design recommendations.
8. Board assembly site may have different recommendations for stencil design.

## 重要声明和免责声明

TI“按原样”提供技术和可靠性数据（包括数据表）、设计资源（包括参考设计）、应用或其他设计建议、网络工具、安全信息和其他资源，不保证没有瑕疵且不做任何明示或暗示的担保，包括但不限于对适销性、某特定用途方面的适用性或不侵犯任何第三方知识产权的暗示担保。

这些资源可供使用 TI 产品进行设计的熟练开发人员使用。您将自行承担以下全部责任：(1) 针对您的应用选择合适的 TI 产品，(2) 设计、验证并测试您的应用，(3) 确保您的应用满足相应标准以及任何其他功能安全、信息安全、监管或其他要求。

这些资源如有变更，恕不另行通知。TI 授权您仅可将这些资源用于研发本资源所述的 TI 产品的应用。严禁对这些资源进行其他复制或展示。您无权使用任何其他 TI 知识产权或任何第三方知识产权。您应全额赔偿因在这些资源的使用中对 TI 及其代表造成的任何索赔、损害、成本、损失和债务，TI 对此概不负责。

TI 提供的产品受 [TI 的销售条款](#) 或 [ti.com](#) 上其他适用条款/TI 产品随附的其他适用条款的约束。TI 提供这些资源并不会扩展或以其他方式更改 TI 针对 TI 产品发布的适用的担保或担保免责声明。

TI 反对并拒绝您可能提出的任何其他或不同的条款。

邮寄地址：Texas Instruments, Post Office Box 655303, Dallas, Texas 75265

Copyright © 2023，德州仪器 (TI) 公司