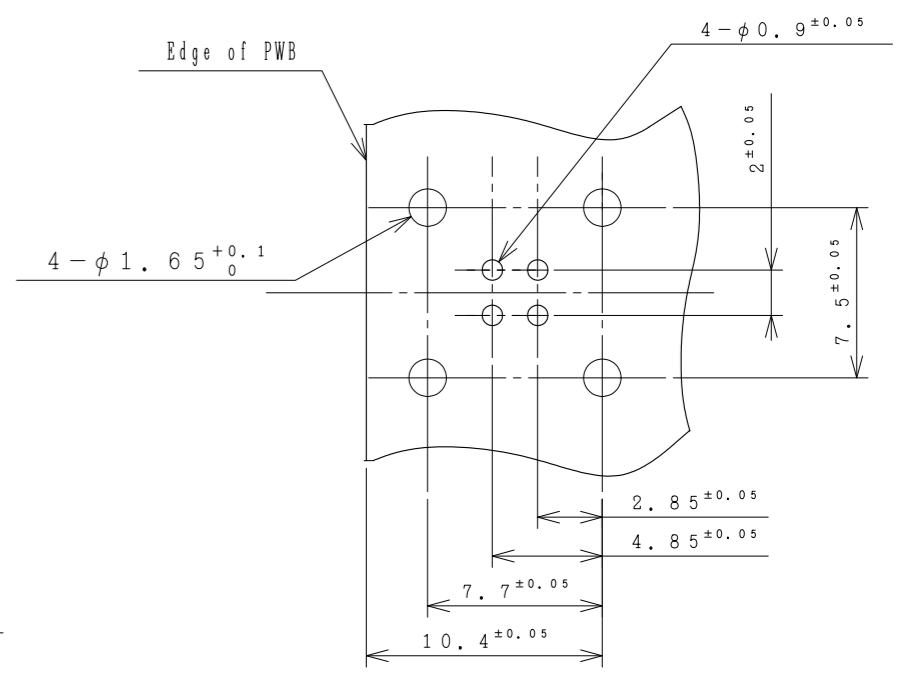
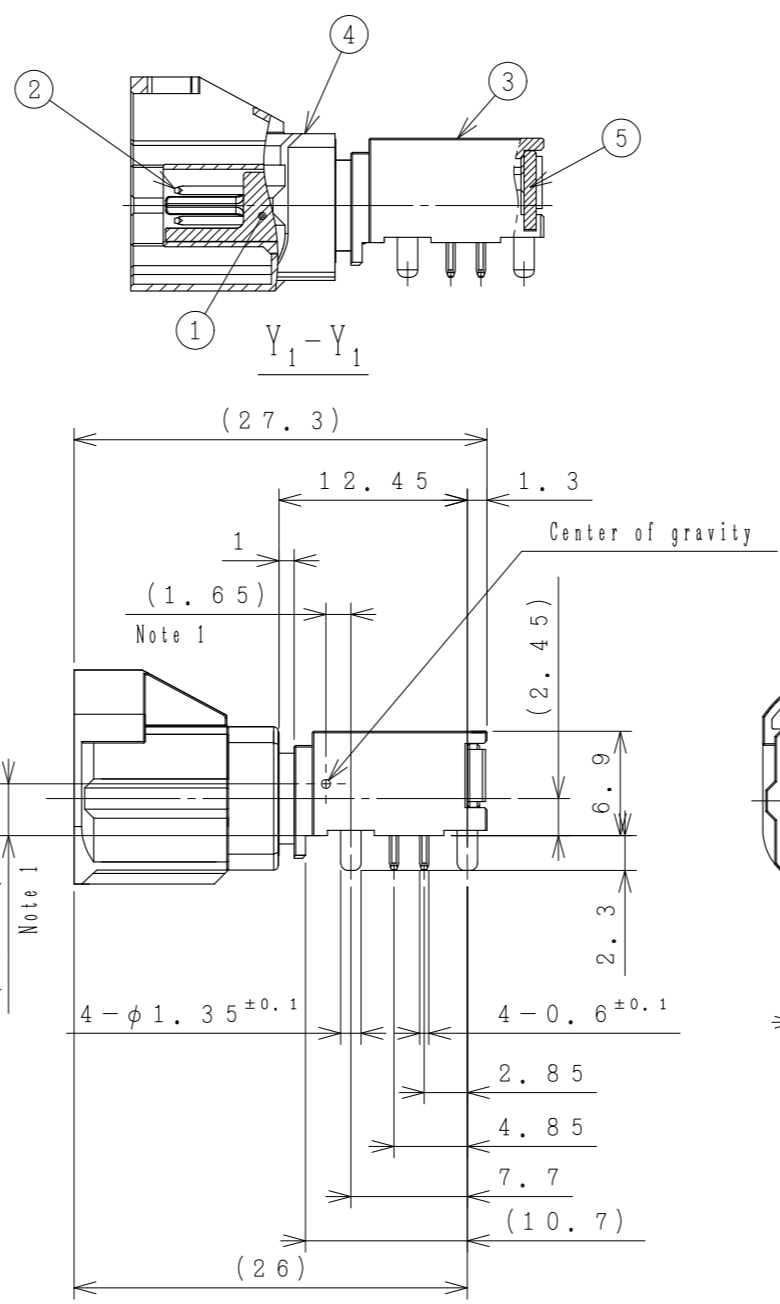
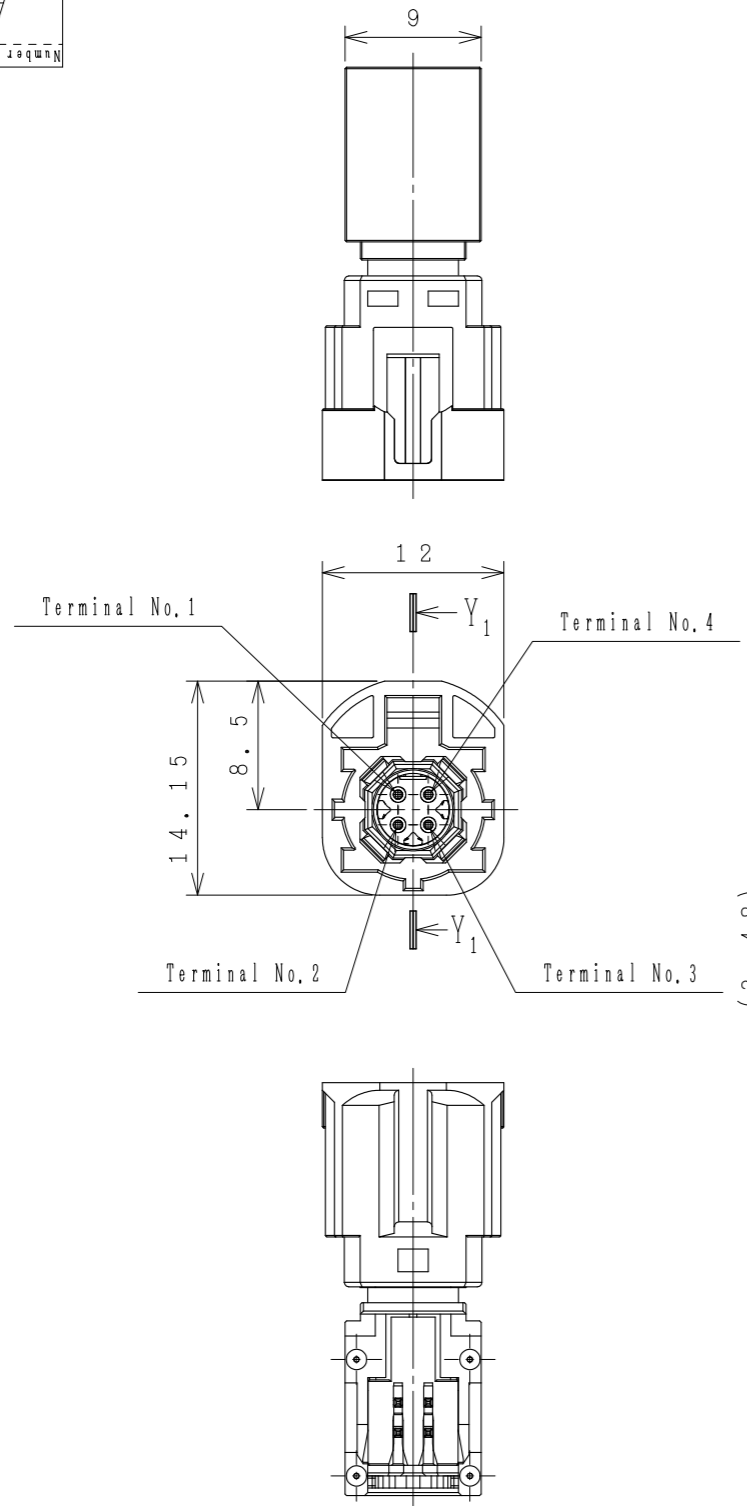


Rev. 03
Number 87LV

REV	ZONE	DESCRIPTION	NAME, DATE
△x-	ALL	Change shape	J. Suga Jun.16 '15
△x1	8J	Change Name	J. Suga Aug.05 '15
△x5	5H×4, P2	Add items B, C, D, F	M. Watanabe Jul.31 '17
△x			
△x			



NOTE
 1) Center of gravity is calculated by 3D CAD.
 (重心は3D CADで計算した値を用いる.)
 2) Coding used in drawing is coding Z.
 (図中のコーディングはZです.)

No.	DESCRIPTION	部品名	Q'ty 数量	MATERIAL 材質	FINISH 表面处理	REMARK 備考
5	L I D		1	Copper Alloy	Ni Plating	-
4	C O V E R		1	PA resin	Other Table	-
3	S H E L L		1	Zinc Alloy	Ni Plating	-
2	C O N T A C T P I N		4	Copper Alloy	Au Plating	-
1	H O U S I N G		1	PA resin	-	-

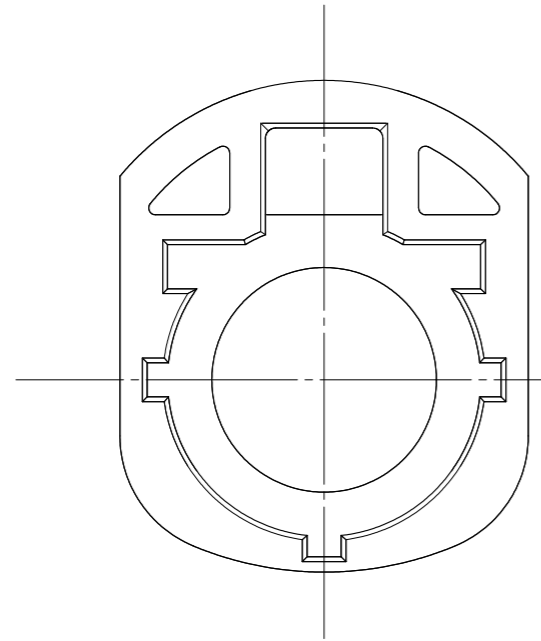
ITEM	THIRD ANGLE ORTHOGRAPHIC PROJECTION	ORIGINAL DRAWING SIZE	SCALE	TOLERANCE	SPECIFICATION	PRODUCT GROUP	PRODUCT CODE
△3		A3	NTS	±0.3	S41-001084	11	1222
R o H S				SUMMARY		PRODUCT CHAPTER	
				M		NAME HSD Angle Plug (4+0 27.3mm)	
						PRODUCT NAME △ CAM-K73LN	
DESIGNED BY Jun.12'14 J. Suga				DRAWN BY Feb.19'15 R. Rosal		CHECKED BY Aug.01'17 S.Asano	
				CHECKED BY Aug.01'17 I.Suzuki		APPROVED BY Aug.01'17 A.Sukegawa	
				#		Prefix R	
						Div Code 41	
						Number A783 (1/2)	
						Rev 03	

開発区分 1
 輸出規制品 EXPORT CONTROL N

Rev. Number
 03 (2/2) A783LV

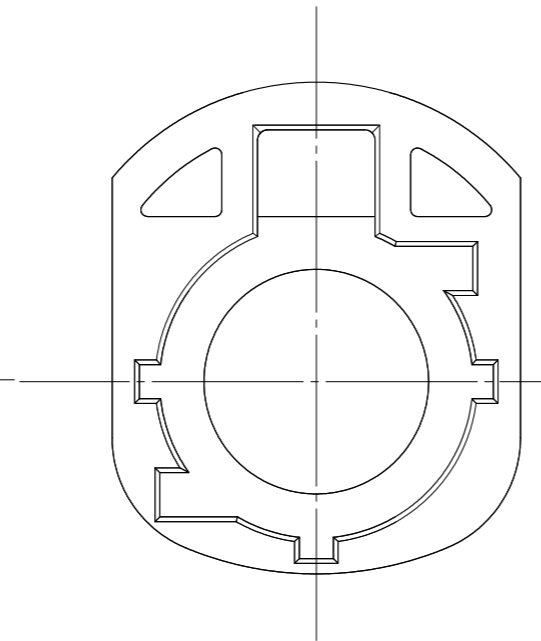
HSDキ-形状 (HSD coding type and color)

A Item (Coding A)



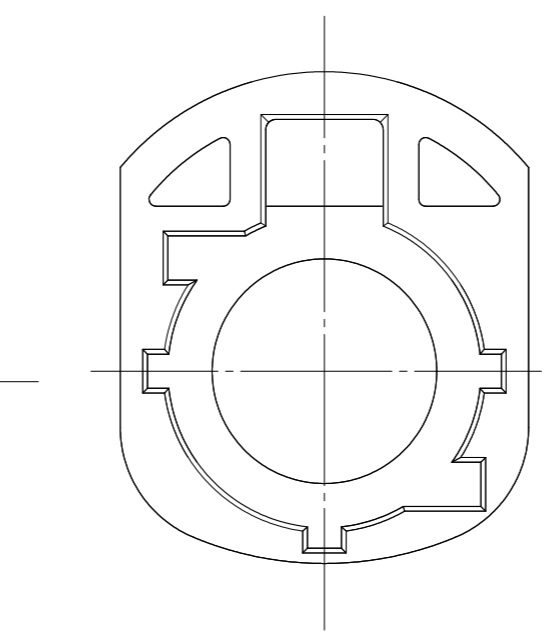
Jet Black

B Item (Coding B)



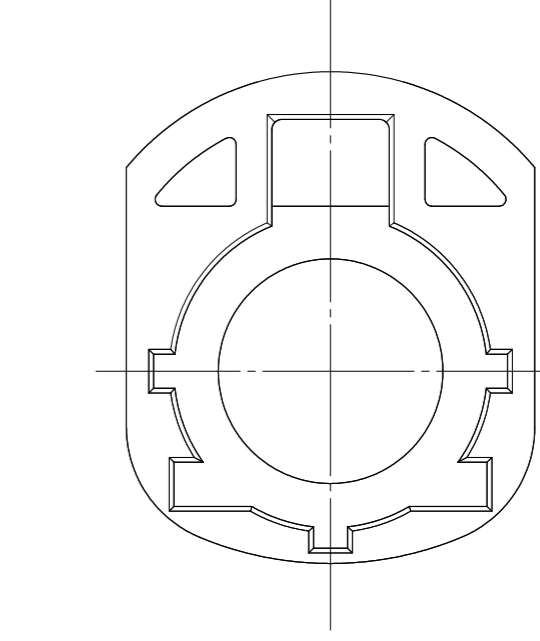
Cream White

C Item (Coding C)



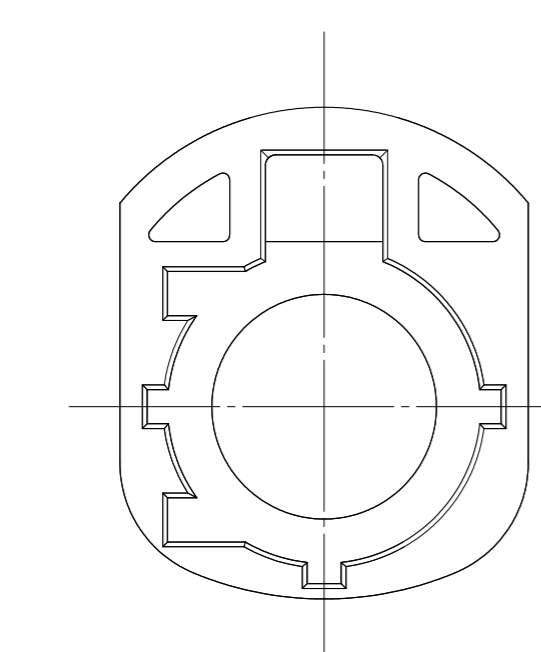
Signal Blue

D Item (Coding D)



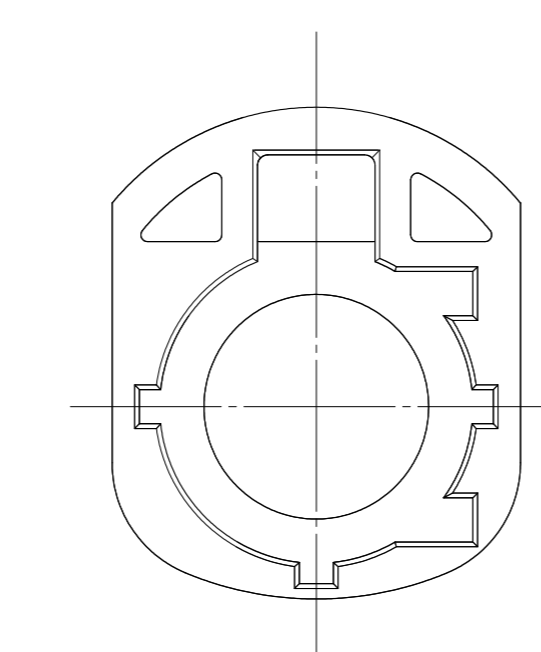
Bordeaux

E Item (Coding E)



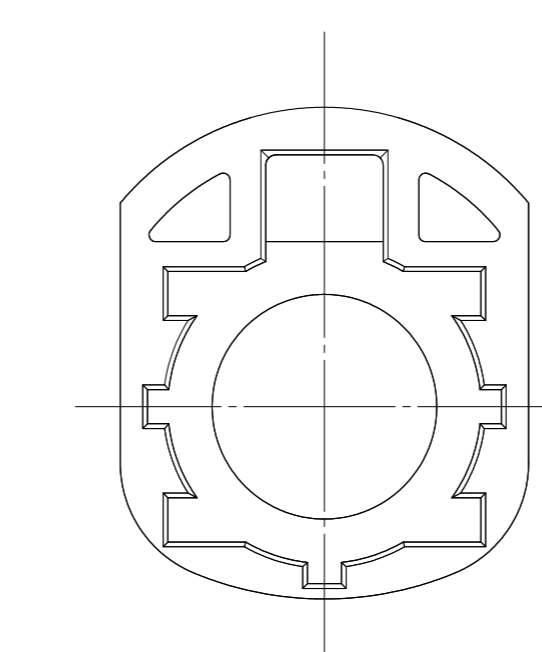
Leaf Green

F Item (Coding F)



Nut Brown

Z Item (Coding Z)



Water blue

NAME	HSD Angle Plug (4+0 27.3mm)			
PRODUCT NAME	CAM-K73LN			
#	Prefix	Div Code	Number	Rev
#	R	41	A783 (2/2)	03