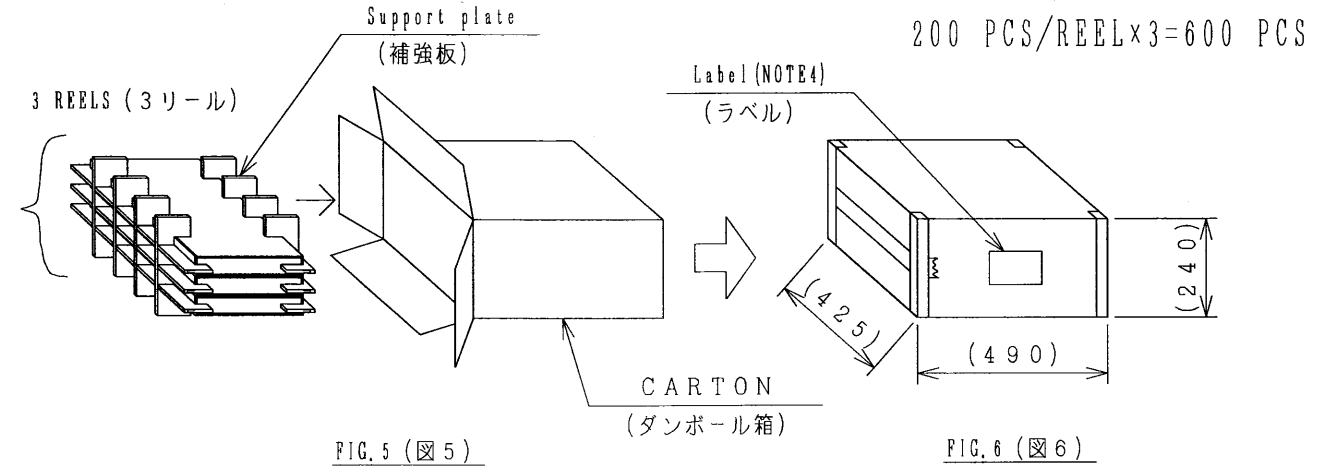
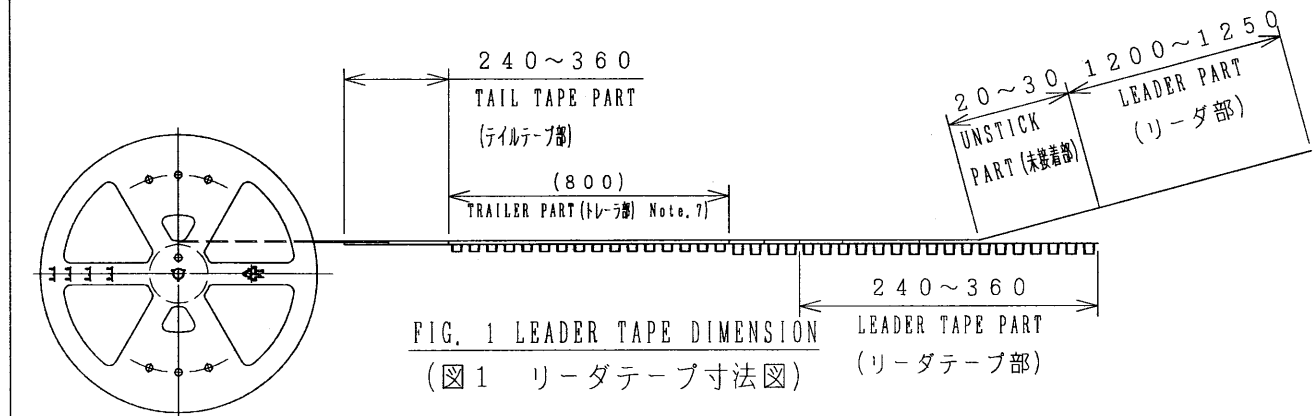
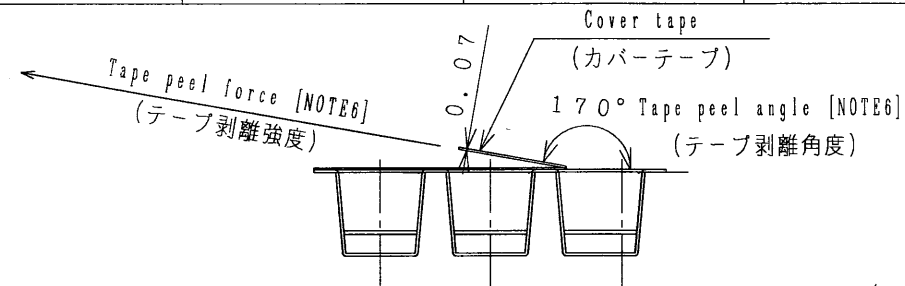
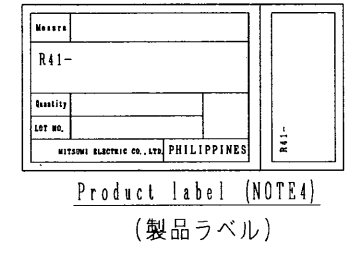
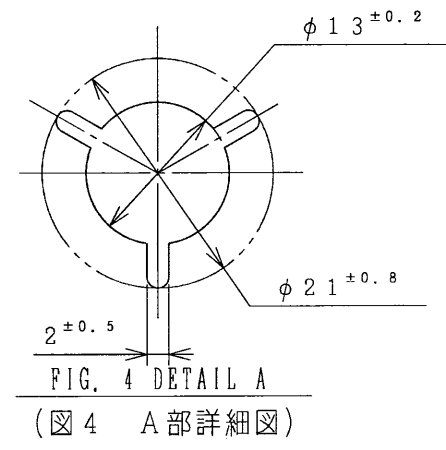
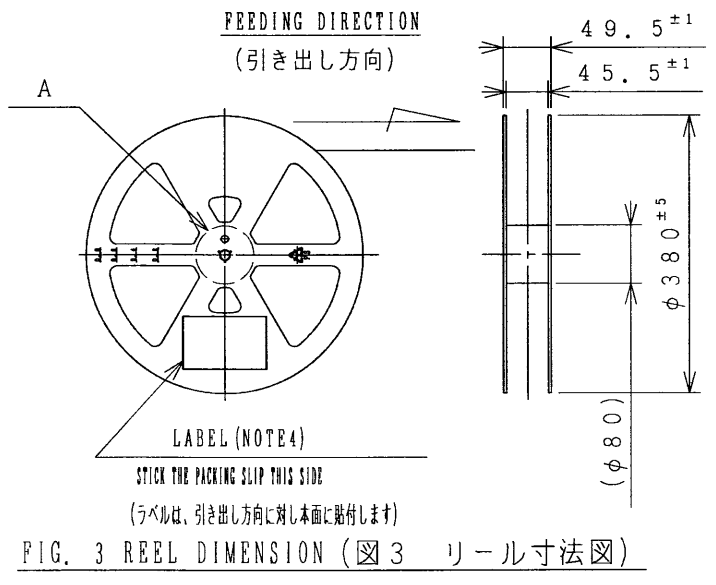
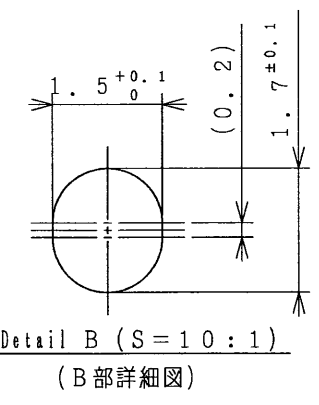
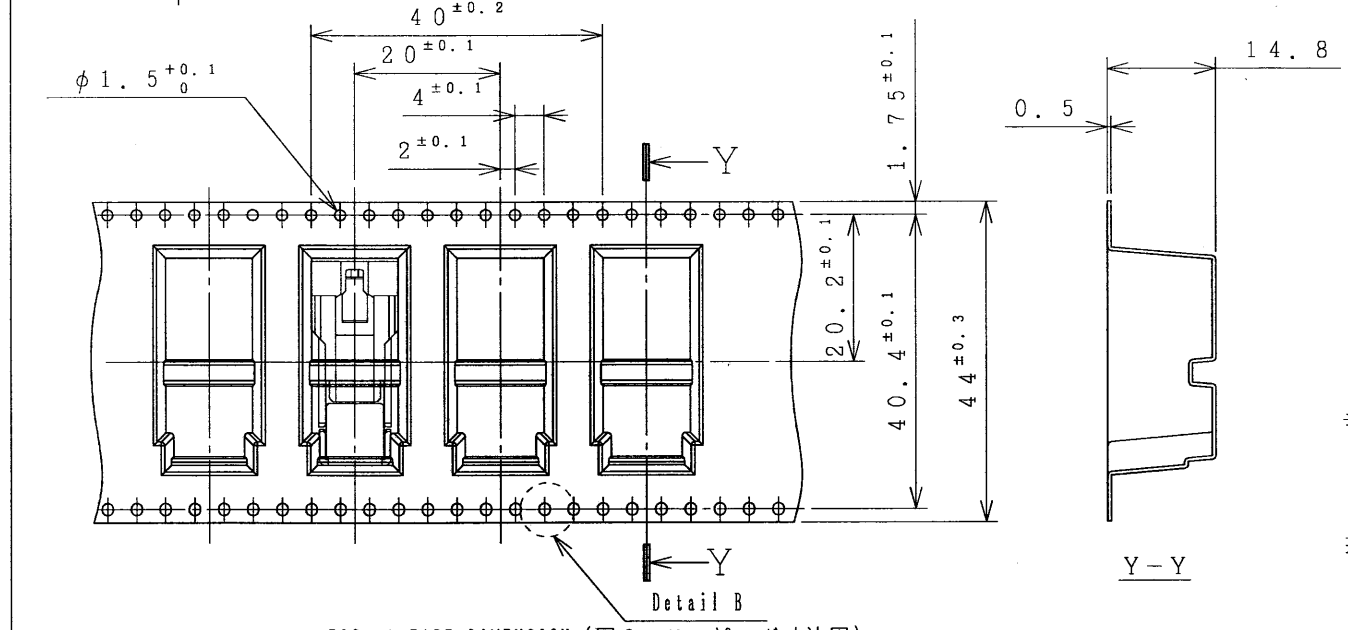


1	2	3	4	5	6	7	8	9	10
APPROVAL DRAWING NO.	APPROVAL DRAWING NO.								
△ R 4 1 - A 6 2 3 A	R 4 1 - A 6 2 3 Z								
△ R 4 1 - A 6 2 3 B	△ R 4 1 - A 6 2 3 G								
△ R 4 1 - A 6 2 3 C									
△ R 4 1 - A 6 2 3 D									
△ R 4 1 - A 6 2 3 F									

REV	ZONE	DESCRIPTION	NAME, DATE
△ x 5	1A x 4, 1B	Additon Coding	J. Suga Feb. 27 '19
△ x 1	2A	Additon Coding	GM. Onuki Jan. 19 '17
△ x			
△ x			
△ x			



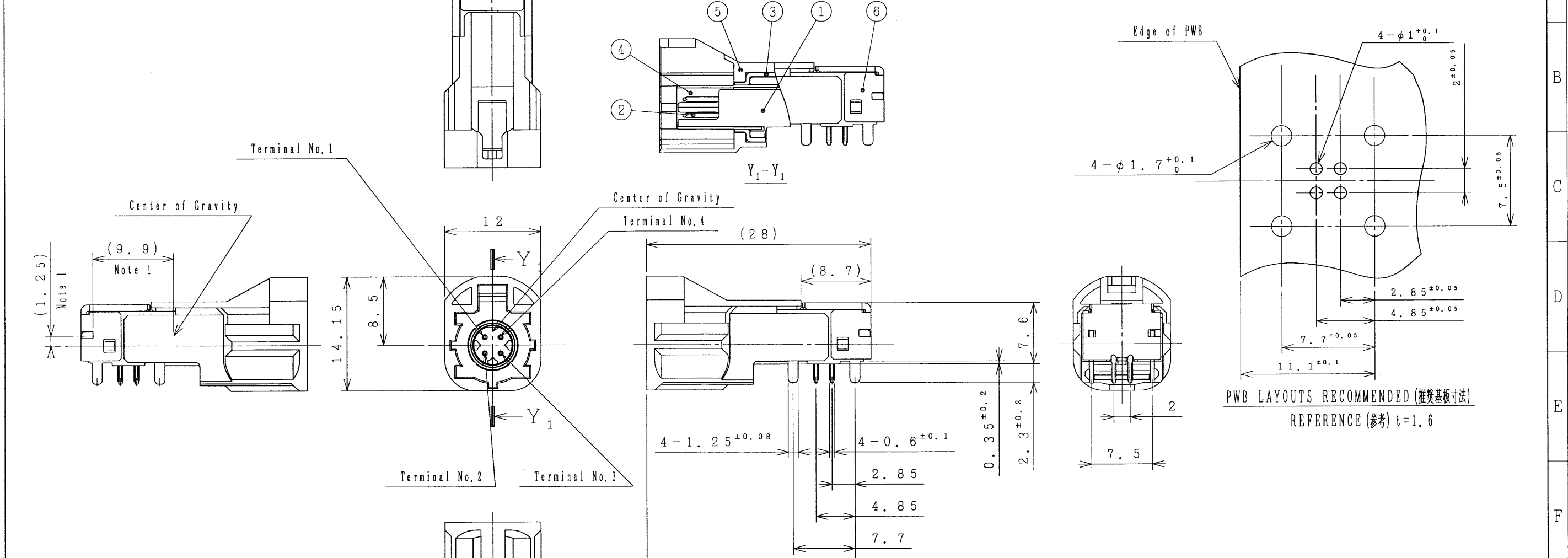
- NOTES (注記)
- The standard packing number of connector is 200 pcs per 1 reel. (1リールの標準梱包数は、200個になっております。)
 - The standard packing number of connector is 600 pcs (200pcs x 3reel) per 1 carton. (1箱の標準梱包数は、200個 x 3リール = 600個になっております。)
 - Connectors pack uniform direction as shown by drawing. (コネクタは、一定方向に梱包しております。)
 - It sticks the packing label entered user part No., MITSUMI drawing No. and quantity on side of carton and reel. (ダンボール箱側面及びリール側面に表示ラベルを貼り、ユーザー品番、MITSUMI 図面番号、数量を記入しております。)
 - At the end of tape, it sticks the leader tape part of the cover tape to cover tape surface by adhesive tape (15~24mm). (テープの巻き終りは、粘着テープ (15~24mm) でカバーテープのリーダ部をカバーテープ表面に貼り付けること。)
 - When it peels cover tape at the velocity of 300mm per 1 minute and angle of 170±5° deg, peel force of cover tape sets up 0.1~1.3N. (カバーテープの剥離強度は、分速300mmの速度で剥離角度 170±5° の時、0.1~1.3Nに設定しております。)
 - It provides the part which connector isn't stored in leader tape part (240~360mm). It provides the unstick part (20~30mm) of cover tape for leader tape part and provides leader part (1200~1250mm) of cover tape. It provides the part which connector isn't stored in trailer part (30pockets empty). (リーダテープ部には 240~360mm のコネクタの入っていない部分を設けます。)



PACKING Q'TY 600 PCS			
PACKING SPECIFICATION			
CAM-K39LN			
DESIGNED BY	DRAWN BY	CHECKED BY	CHECKED BY
Mar. 22 '13	Mar. 22 '13	Sep 24 '17	Sep 24 '17
J. Suga	J. Suga	I. Suzuki	I. Suzuki
Prefix	Div Code	Number	Rev
NR	41	00A623	02

DESIGNED BY	DRAWN BY	CHECKED BY	CHECKED BY	APPROVED BY
Mar. 22 '13	Mar. 22 '13	Sep 24 '17	Sep 24 '17	Sep 25 '17
J. Suga	J. Suga	I. Suzuki	I. Suzuki	A. Sukegawa

1	2	3	4	5	6	7	8	9	10	
PACKING SPECIFICATION NR 41-00A623							REV △x2 △x4 △x1 △x △x	ZONE 9 I, 10 I 5G, 8I, 9I, 2P 5H	DESCRIPTION Change Note Change Note and Add Item Add item G	NAME, DATE J. Suga Aug 05'14 D. Uraike Jan 15'16 M. Onuki Jan. 19'17



NOTE

1) Center of gravity is calculated by 3D CAD.
(重心は3D CADで計算した値を用いる.)

2) The mating guarantee assumes it only the connector in conformity with the HSD standard.
(HSD規格に準拠したコネクタのみ嵌合保証を行う.)

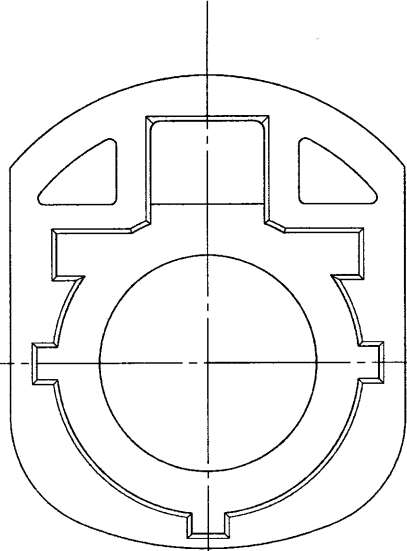
No.	DESCRIPTION	部品名	Q'ty 数量	MATERIAL 材質	FINISH 表面処理	REMARK 備考
6	SHIELD COVER		1	Copper Alloy	Ni Plating	-
5	COVER		1	PA resin	Other Table	-
4	OUTER CONTACT		1	Copper Alloy	Ni plating	-
3	SHIELD CASE		1	Copper Alloy	Ni Plating	-
2	CONTACT PIN		4	Copper Alloy	Au Plating	-
1	HOUSING		1	PA resin	(BLACK)	-

△	◎	N	Z	K39-004-230-ANBAA-Z	Water Blue	Z	△ 41-Q095Z
△	◎	N	G	K39-004-230-ANBAA-G	Blue Gray	G	41-Q095G
	◎	N	F	K39-004-230-ANBAA-F	Brown	F	41-Q095F
	◎	N	E	K39-004-230-ANBAA-E	Leaf Green	E	41-Q095E
	◎	N	D	K39-004-230-ANBAA-D	Claret Violet	D	41-Q095D
	◎	N	C	K39-004-230-ANBAA-C	Blue	C	41-Q095C
	◎	N	B	K39-004-230-ANBAA-B	White	B	41-Q095B
	◎	N	A	K39-004-230-ANBAA-A	Black	A	41-Q095A
△	◎	N	Z	K39-004-230-ANBAA-Z	Water Blue	Z	△ 41-Q095Z
△	◎	N	G	K39-004-230-ANBAA-G	Blue Gray	G	41-Q095G
	◎	N	F	K39-004-230-ANBAA-F	Brown	F	41-Q095F
	◎	N	E	K39-004-230-ANBAA-E	Leaf Green	E	41-Q095E
	◎	N	D	K39-004-230-ANBAA-D	Claret Violet	D	41-Q095D
	◎	N	C	K39-004-230-ANBAA-C	Blue	C	41-Q095C
	◎	N	B	K39-004-230-ANBAA-B	White	B	41-Q095B
	◎	N	A	K39-004-230-ANBAA-A	Black	A	41-Q095A
△	◎	N	Z	K39-004-230-ANBAA-Z	Water Blue	Z	△ 41-Q095Z
△	◎	N	G	K39-004-230-ANBAA-G	Blue Gray	G	41-Q095G
	◎	N	F	K39-004-230-ANBAA-F	Brown	F	41-Q095F
	◎	N	E	K39-004-230-ANBAA-E	Leaf Green	E	41-Q095E
	◎	N	D	K39-004-230-ANBAA-D	Claret Violet	D	41-Q095D
	◎	N	C	K39-004-230-ANBAA-C	Blue	C	41-Q095C
	◎	N	B	K39-004-230-ANBAA-B	White	B	41-Q095B
	◎	N	A	K39-004-230-ANBAA-A	Black	A	41-Q095A
△	◎	N	Z	K39-004-230-ANBAA-Z	Water Blue	Z	△ 41-Q095Z
△	◎	N	G	K39-004-230-ANBAA-G	Blue Gray	G	41-Q095G
	◎	N	F	K39-004-230-ANBAA-F	Brown	F	41-Q095F
	◎	N	E	K39-004-230-ANBAA-E	Leaf Green	E	41-Q095E
	◎	N	D	K39-004-230-ANBAA-D	Claret Violet	D	41-Q095D
	◎	N	C	K39-004-230-ANBAA-C	Blue	C	41-Q095C
	◎	N	B	K39-004-230-ANBAA-B	White	B	41-Q095B
	◎	N	A	K39-004-230-ANBAA-A	Black	A	41-Q095A
△	◎	N	Z	K39-004-230-ANBAA-Z	Water Blue	Z	△ 41-Q095Z
△	◎	N	G	K39-004-230-ANBAA-G	Blue Gray	G	41-Q095G
	◎	N	F	K39-004-230-ANBAA-F	Brown	F	41-Q095F
	◎	N	E	K39-004-230-ANBAA-E	Leaf Green	E	41-Q095E
	◎	N	D	K39-004-230-ANBAA-D	Claret Violet	D	41-Q095D
	◎	N	C	K39-004-230-ANBAA-C	Blue	C	41-Q095C
	◎	N	B	K39-004-230-ANBAA-B	White	B	41-Q095B
	◎	N	A	K39-004-230-ANBAA-A	Black	A	41-Q095A
△	◎	N	Z	K39-004-230-ANBAA-Z	Water Blue	Z	△ 41-Q095Z
△	◎	N	G	K39-004-230-ANBAA-G	Blue Gray	G	41-Q095G
	◎	N	F	K39-004-230-ANBAA-F	Brown	F	41-Q095F
	◎	N	E	K39-004-230-ANBAA-E	Leaf Green	E	41-Q095E
	◎	N	D	K39-004-230-ANBAA-D	Claret Violet	D	41-Q095D
	◎	N	C	K39-004-230-ANBAA-C	Blue	C	41-Q095C
	◎	N	B	K39-004-230-ANBAA-B	White	B	41-Q095B
	◎	N	A	K39-004-230-ANBAA-A	Black	A	41-Q095A
△	◎	N	Z	K39-004-230-ANBAA-Z	Water Blue	Z	△ 41-Q095Z
△	◎	N	G	K39-004-230-ANBAA-G	Blue Gray	G	41-Q095G
	◎	N	F	K39-004-230-ANBAA-F	Brown	F	41-Q095F
	◎	N	E	K39-004-230-ANBAA-E	Leaf Green	E	41-Q095E
	◎	N	D	K39-004-230-ANBAA-D	Claret Violet	D	41-Q095D
	◎	N	C	K39-004-230-ANBAA-C	Blue	C	41-Q095C
	◎	N	B	K39-004-230-ANBAA-B	White	B	41-Q095B
	◎	N	A	K39-004-230-ANBAA-A	Black	A	41-Q095A
△	◎	N	Z	K39-004-230-ANBAA-Z	Water Blue	Z	△ 41-Q095Z
△	◎	N	G	K39-004-230-ANBAA-G	Blue Gray	G	41-Q095G
	◎	N	F	K39-004-230-ANBAA-F	Brown	F	41-Q095F
	◎	N	E	K39-004-230-ANBAA-E	Leaf Green	E	41-Q095E
	◎	N	D	K39-004-230-ANBAA-D	Claret Violet	D	41-Q095D
	◎	N	C	K39-004-230-ANBAA-C	Blue	C	41-Q095C
	◎	N	B	K39-004-230-ANBAA-B	White	B	41-Q095B
	◎	N	A	K39-004-230-ANBAA-A	Black	A	41-Q095A
△	◎	N	Z	K39-004-230-ANBAA-Z	Water Blue	Z	△ 41-Q095Z
△	◎	N	G	K39-004-230-ANBAA-G	Blue Gray	G	41-Q095G
	◎	N	F	K39-004-230-ANBAA-F	Brown	F	41-Q095F
	◎	N	E	K39-004-230-ANBAA-E	Leaf Green	E	41-Q095E
	◎	N	D	K39-004-230-ANBAA-D	Claret Violet	D	41-Q095D
	◎	N	C	K39-004-230-ANBAA-C	Blue	C	41-Q095C
	◎	N	B	K39-004-230-ANBAA-B	White	B	41-Q095B
	◎	N	A	K39-004-230-ANBAA-A	Black	A	41-Q095A
△	◎	N	Z	K39-004-230-ANBAA-Z	Water Blue	Z	△ 41-Q095Z
△	◎	N	G	K39-004-230-ANBAA-G	Blue Gray	G	41-Q095G
	◎	N	F	K39-004-230-ANBAA-F	Brown	F	41-Q095F
	◎	N	E	K39-004-230-ANBAA-E	Leaf Green	E	41-Q095E
	◎	N	D	K39-004-230-ANBAA-D	Claret Violet	D	41-Q095D
	◎	N	C	K39-004-230-ANBAA-C	Blue	C	41-Q095C
	◎	N	B	K39-004-230-ANBAA-B	White	B	41-Q095B
	◎	N	A	K39-004-230-ANBAA-A	Black	A	41-Q095A
△	◎	N	Z	K39-004-230-ANBAA-Z	Water Blue	Z	△ 41-Q095Z
△	◎	N	G	K39-004-230-ANBAA-G	Blue Gray	G	41-Q095G
	◎	N	F	K39-004-230-ANBAA-F	Brown	F	41-Q095F
	◎	N	E	K39-004-230-ANBAA-E	Leaf Green	E	41-Q095E
	◎	N	D	K39-004-230-ANBAA-D	Claret Violet	D	41-Q095D
	◎	N	C	K39-004-230-ANBAA-C	Blue	C	41-Q095C
	◎	N	B	K39-004-230-ANBAA-B	White	B	41-Q095B
	◎	N	A	K39-004-230-ANBAA-A	Black	A	41-Q095A
△	◎	N	Z	K39-004-230-ANBAA-Z	Water Blue	Z	△ 41-Q095Z
△	◎	N	G	K39-004-230-ANBAA-G	Blue Gray	G	41-Q095G
	◎	N	F	K39-004-230-ANBAA-F	Brown	F	41-Q095F
	◎	N	E	K39-004-230-ANBAA-E	Leaf Green	E	41-Q095E
	◎	N	D	K39-004-230-ANBAA-D	Claret Violet	D	41-Q095D
	◎	N	C	K39-004-230-ANBAA-C	Blue	C	41-Q095C
	◎	N	B	K39-004-230-ANBAA-B	White	B	41-Q095B
	◎	N	A	K39-004-230-ANBAA-A	Black	A	41-Q095A
△	◎	N	Z	K39-004-230-ANBAA-Z	Water Blue	Z	△ 41-Q095Z
△	◎	N	G	K39-004-230-ANBAA-G	Blue Gray	G	41-Q095G
	◎	N	F	K39-004-230-ANBAA-F	Brown	F	41-Q095F
	◎	N	E	K39-004-230-ANBAA-E	Leaf Green	E	41-Q095E
	◎	N	D	K39-004-230-ANBAA-D	Claret Violet	D	41-Q095D
	◎	N	C	K39-004-230-ANBAA-C	Blue	C	41-Q095C
	◎	N	B	K39-004-230-ANBAA-B	White	B	41-Q095B
	◎	N	A	K39-004-230-ANBAA-A	Black	A	41-Q095A
△	◎	N	Z	K39-004-230-ANBAA-Z	Water Blue	Z	△ 41-Q095Z
△	◎	N	G	K39-004-230-ANBAA-G	Blue Gray	G	41-Q095G
	◎	N	F	K39-004-230-ANBAA-F	Brown	F	41-Q095F
	◎	N	E	K39-004-230-ANBAA-E	Leaf Green	E	41-Q095E
	◎	N	D	K39-004-230-ANBAA-D	Claret Violet	D	41-Q095D
	◎	N	C	K39-004-230-ANBAA-C	Blue	C	41-Q095C
	◎	N	B	K39-004-230-ANBAA-B	White	B	41-Q095B
	◎	N	A	K39-004-230-ANBAA-A	Black	A	41-Q095A
△	◎	N	Z	K39-004-230-ANBAA-Z	Water Blue	Z	△ 41-Q095Z
△	◎	N	G	K39-004-230-ANBAA-G	Blue Gray	G	41-Q095G
	◎	N	F	K39-004-230-ANBAA-F	Brown	F	41-Q095F
	◎	N	E	K39-004-230-ANBAA-E	Leaf Green	E	41-Q095E
	◎	N	D	K39-004-230-ANBAA-D	Claret Violet	D	41-Q095D
	◎	N	C	K39-004-230-ANBAA-C	Blue	C	41-Q095C
	◎	N	B	K39-004-230-ANBAA-B	White	B	41-Q095B
	◎	N	A	K39-004-230-ANBAA-A	Black	A	41-Q095A
△	◎	N	Z	K39-004-230-ANBAA-Z	Water Blue	Z	△ 41-Q095Z
△	◎	N	G	K39-004-230-ANBAA-G	Blue Gray	G	41-Q095G
	◎	N	F	K39-004-230-ANBAA-F	Brown	F	41-Q095F
	◎	N	E	K39-004-230-ANBAA-E	Leaf Green	E	41-Q095E
	◎	N	D	K39-004-230-ANBAA-D	Claret Violet	D	41-Q095D
	◎	N	C	K39-004-230-ANBAA-C	Blue	C	41-Q095C
	◎	N	B	K39-004-230-ANBAA-B	White	B	41-Q095B
	◎	N	A	K39-004-230-ANBAA-A	Black	A	41-Q095A
△	◎	N	Z	K39-004-230-ANBAA-Z	Water Blue	Z	△ 41-Q095Z
△	◎	N	G	K39-004-230-ANBAA-G	Blue Gray	G	41-Q095G
	◎	N	F	K39-004-230-ANBAA-F	Brown	F	41-Q095F
	◎	N	E	K39-004-230-ANBAA-E	Leaf Green	E	41-Q095E
	◎	N	D	K39-004-230-ANBAA-D	Claret Violet	D	41-Q095D
	◎	N	C	K39-004-230-ANBAA-C	Blue	C	41-Q095C
	◎	N	B	K39-004-230-ANBAA-B	White	B	41-Q095B
	◎	N	A	K39-004-230-ANBAA-A	Black	A	41-Q095A
△	◎	N	Z	K39-004-230-ANBAA-Z	Water Blue	Z	△ 41-Q095Z
△	◎	N	G	K39-004-230-ANBAA-G	Blue Gray	G	41-Q095G
	◎	N	F	K39-004-230-ANBAA-F	Brown	F	41-Q095F
	◎	N	E	K39-004-230-ANBAA-E	Leaf Green	E	41-Q095E
	◎	N	D	K39-004-230-ANBAA-D	Cl		

ε 0 (2/2) ε 2 9 V

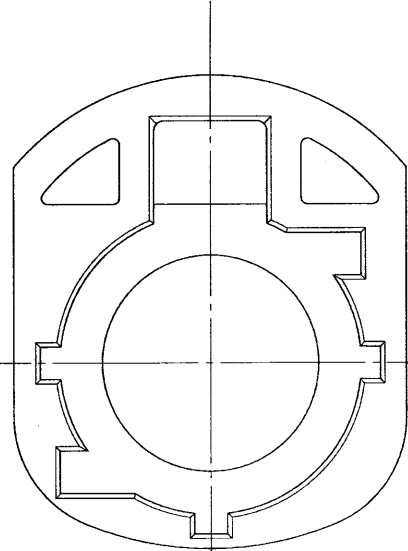
HSDキ-形状 (HSD coating type and color)

A Item (Cording A)



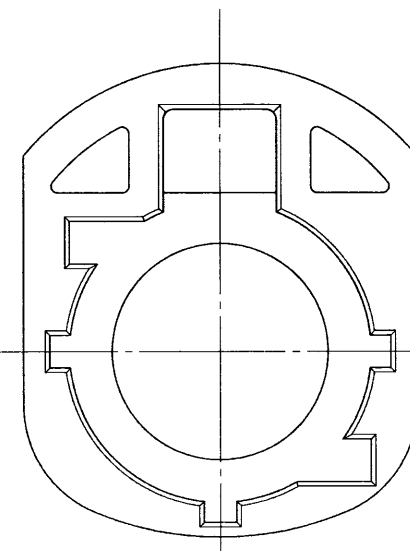
Black

B Item (Cording B)



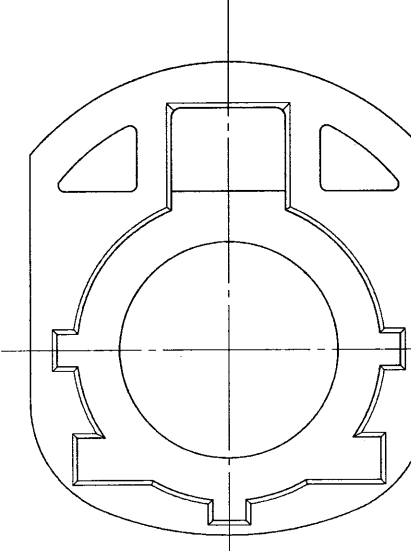
White

C Item (Cording C)



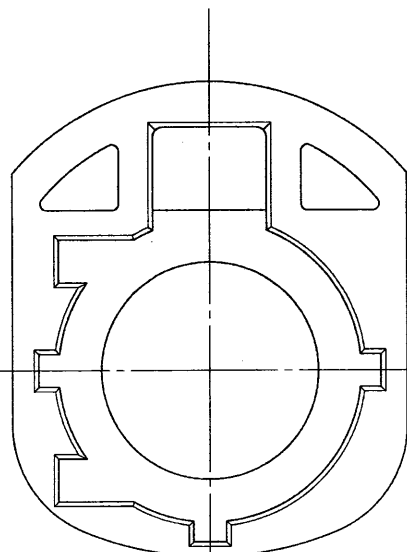
Blue

D Item (Cording D)



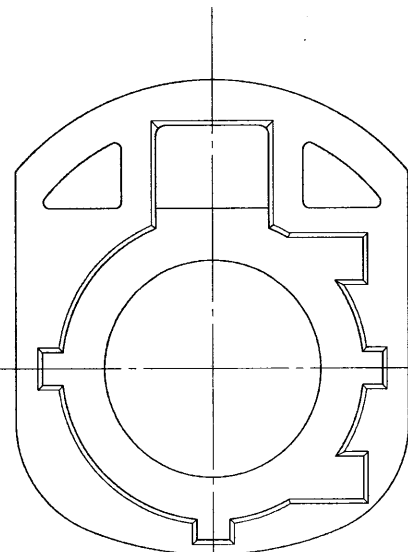
Claret Violet

E Item (Cording E)



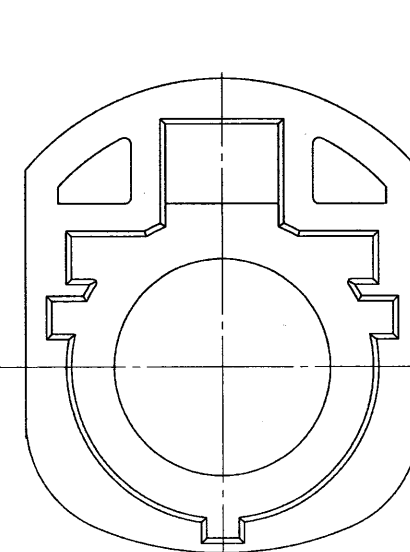
Green

F Item (Cording F)



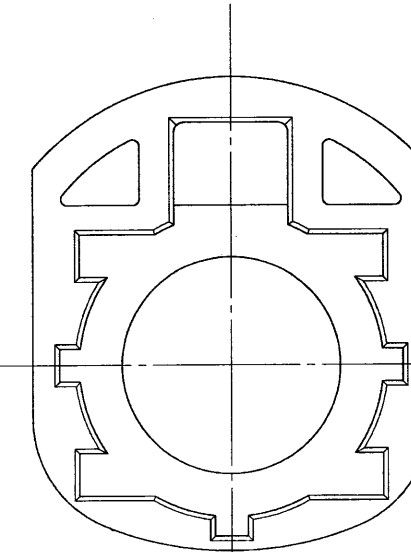
Brown

G Item (Cording G)



Blue Gray

Z Item (Cording Z)



Water blue

NAME		HSD Angle Plug (4+0)		
PRODUCT NAME		CAM-K39LN		
#	Prefix	Div Code	Number	Rev
#	R	41	A623 (2/2)	03