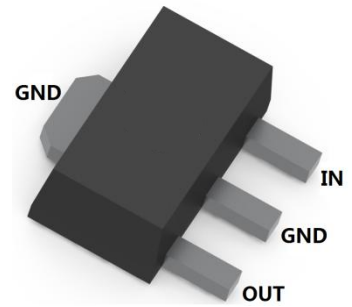


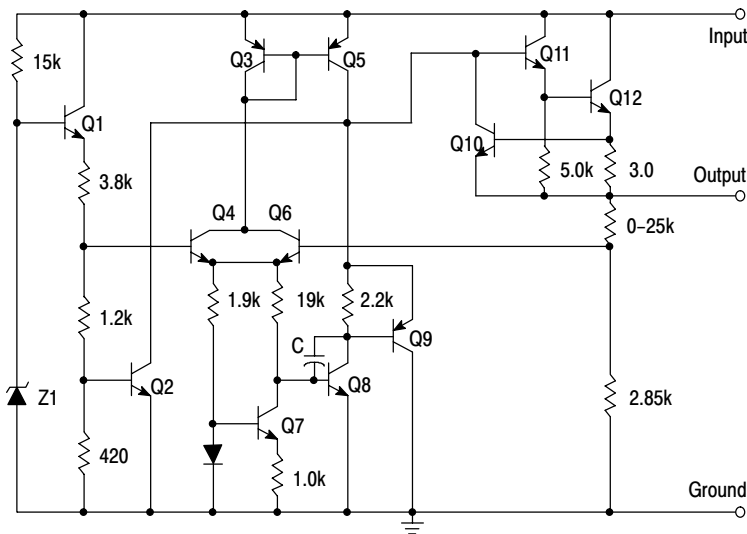
PLASTIC-ENCAPSULATE VOLTAGE REGULATORS

FEATURES

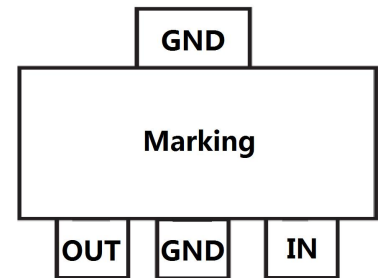
- Maximum Output Current I_o : 0.1 A
- Output Voltage V_o : 15 V
- Surface Mount device



SCHEMATIC DIAGRAM



SOT-89



MECHANICAL DATA

- Case: SOT-89
- Case Material: Molded Plastic. UL flammability
- Classification Rating: 94V-0
- Weight: 0.055 grams (approximate)

MAXIMUM RATINGS (Operating temperature range applies unless otherwise specified)

Parameter	Symbol	Value	Unit
Input Voltage	V_i	35	V
Power Dissipation	P_D	Internally Limited	
Thermal Resistance from Junction to Ambient	$R_{\theta JA}$	166.7	$^{\circ}C/W$
Operating Temperature	T_{opr}	-25~+125	$^{\circ}C$
Storage Temperature Range	T_{STG}	-65 ~+150	$^{\circ}C$

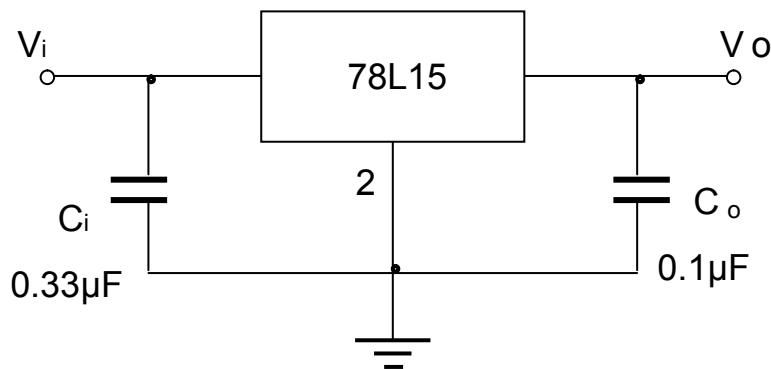
PLASTIC-ENCAPSULATE VOLTAGE REGULATORS

ELECTRICAL CHARACTERISTICS AT SPECIFIED VIRTUAL JUNCTION TEMPERATURE
($V_i=23V, I_o=40mA, C_i=0.33\mu F, C_o=0.1\mu F$, unless otherwise specified)

Parameter	Symbol	Min	Typ	Max	Unit	Conditions
Output voltage	V_o	14.4	15	15.6	V	$T_J=+25^\circ C$
		14.25	15	15.75	V	$17.5V \leq V_i \leq 30V, I_o=1mA \sim 40mA, 0^\circ C \leq T_J \leq +125^\circ C$
		14.25	15	15.75	V	$V_i=23V, I_o=1mA \sim 70mA, 0^\circ C \leq T_J \leq +125^\circ C$
Load Regulation	ΔV_o		25	150	mV	$V_i=23V, I_o=1mA \sim 100mA, T_J=25^\circ C$
			15	75	mV	$V_i=23V, I_o=1mA \sim 40mA, T_J=25^\circ C$
Line regulation	ΔV_o		65	300	mV	$17.5V \leq V_i \leq 30V, I_o=40mA, T_J=25^\circ C$
			58	250	mV	$19V \leq V_i \leq 30V, I_o=40mA, T_J=25^\circ C$
Quiescent Current	I_q		4.6	6.5	mA	$T_J=+25^\circ C$
Quiescent Current Change	ΔI_q			1.5	mA	$19V \leq V_i \leq 30V, I_o=40mA, 0^\circ C \leq T_J \leq +125^\circ C$
				0.1	mA	$1mA \leq I_o \leq 40mA, V_i=23V, 0^\circ C \leq T_J \leq +125^\circ C$
Output Noise Voltage	V_N		82		$\mu V/V_o$	$10Hz \leq f \leq 100kHz, T_J=+25^\circ C$
Ripple Rejection	RR	34	39		dB	$18.5V \leq V_i \leq 28.5V, f=120Hz, 0^\circ C \leq T_J \leq +125^\circ C$
Dropout Voltage	V_d		1.7		V	$T_J=+25^\circ C$

*Pulse Test

TYPICAL APPLICATION

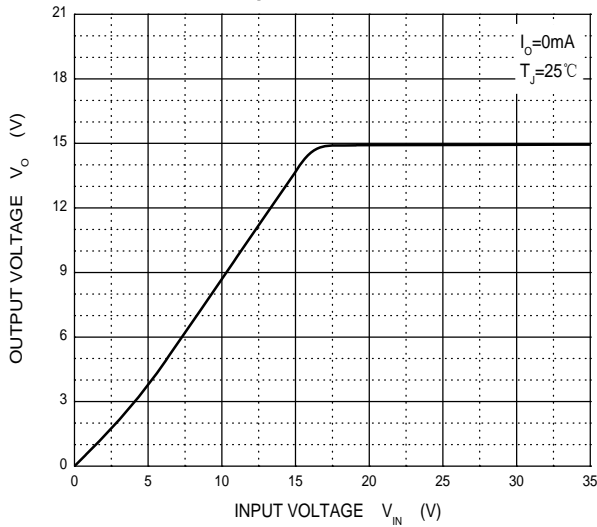


Note: Bypass capacitors are recommended for optimum stability and transient response and should be located as close as Possible to the regulators.

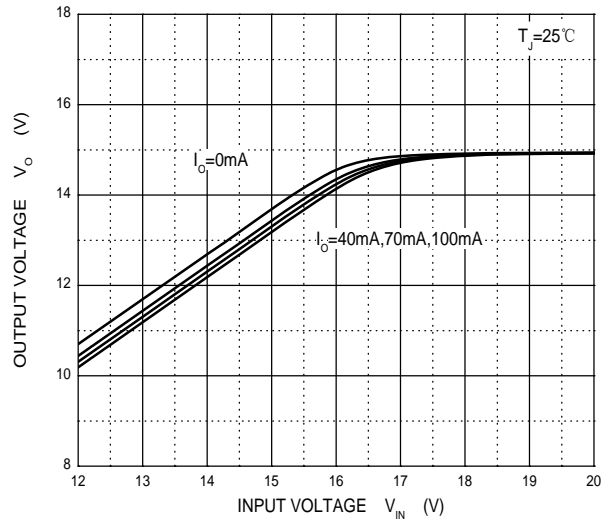
PLASTIC-ENCAPSULATE VOLTAGE REGULATORS

Typical Characteristics

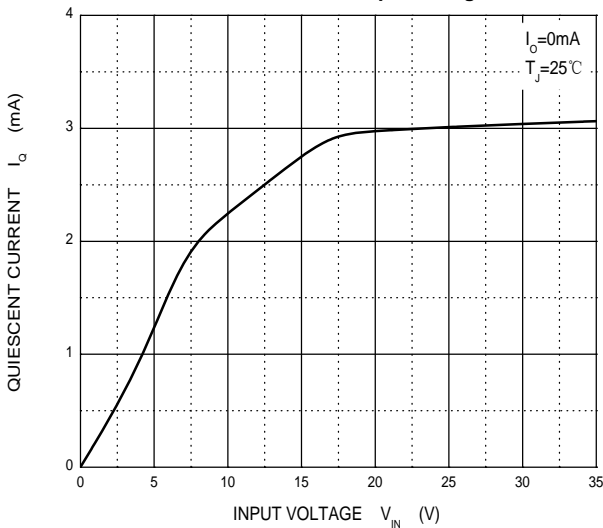
Output Characteristics



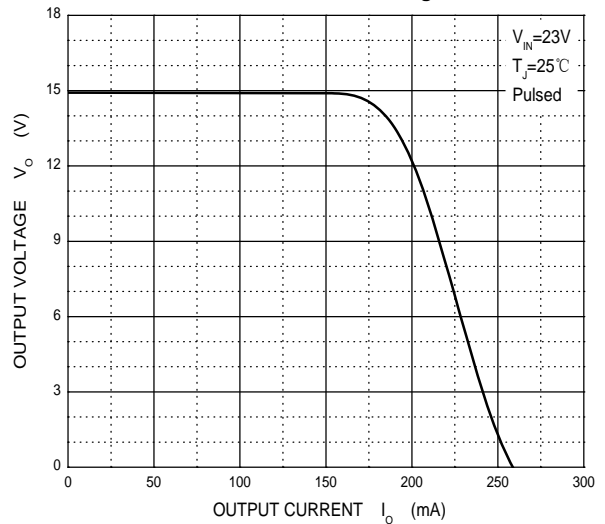
Dropout Characteristics



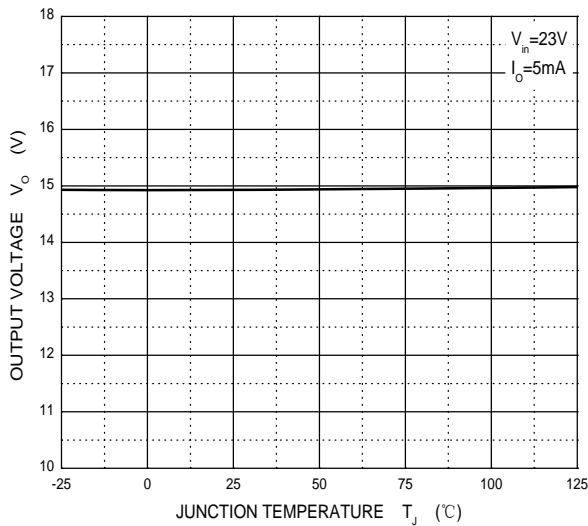
Quiescent Current vs Input Voltage



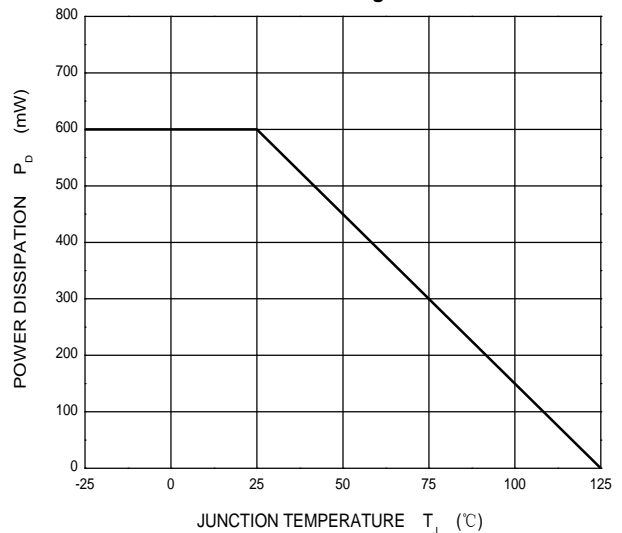
Current Cut-off Grid Voltage



Output Voltage vs Junction Temperature

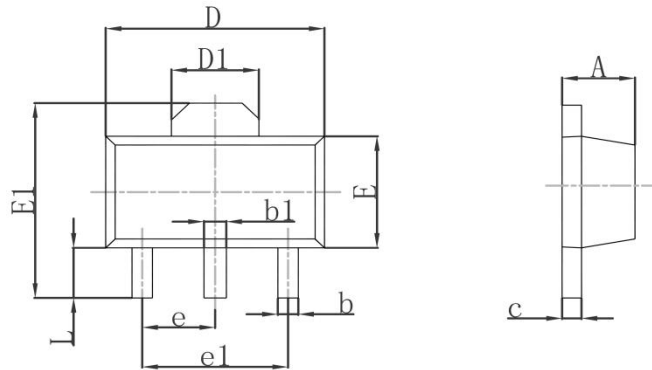


Power Derating Curve



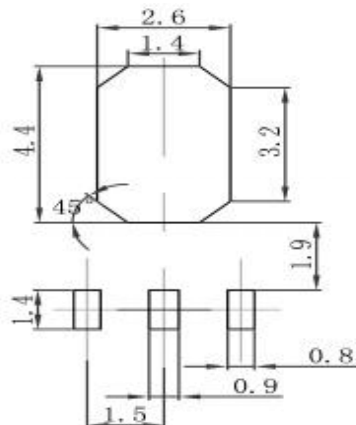
PLASTIC-ENCAPSULATE VOLTAGE REGULATORS

SOT-89 Package Outline Dimensions



Symbol	Dimensions In Millimeters		Dimensions In Inches	
	Min.	Max.	Min.	Max.
A	1.400	1.600	0.055	0.063
b	0.320	0.520	0.013	0.020
b1	0.400	0.580	0.016	0.023
c	0.350	0.440	0.014	0.017
D	4.400	4.600	0.173	0.181
D1	1.550REF		0.061REF	
E	2.300	2.600	0.091	0.102
E1	3.940	4.250	0.155	0.167
e	1.500TYP		0.060TYP	
e1	3.000TYP		0.118TYP	
L	0.900	1.200	0.035	0.047

SOT-89 Suggested Pad Layout



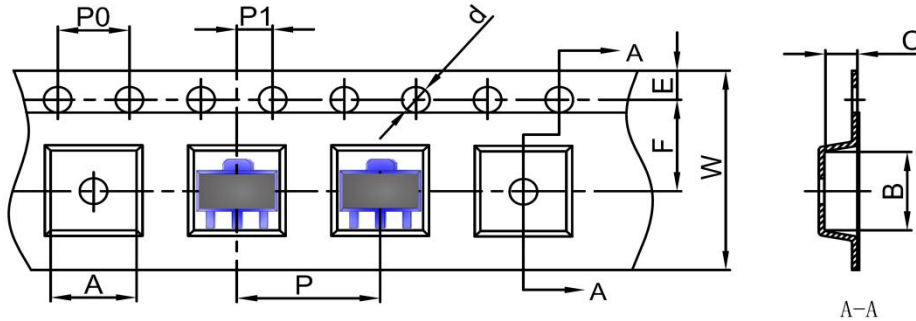
Note:

1. Controlling dimension: in millimeters
2. General tolerance: $\pm 0.05\text{mm}$
3. The pad layout is for reference purposes only

PLASTIC-ENCAPSULATE VOLTAGE REGULATORS

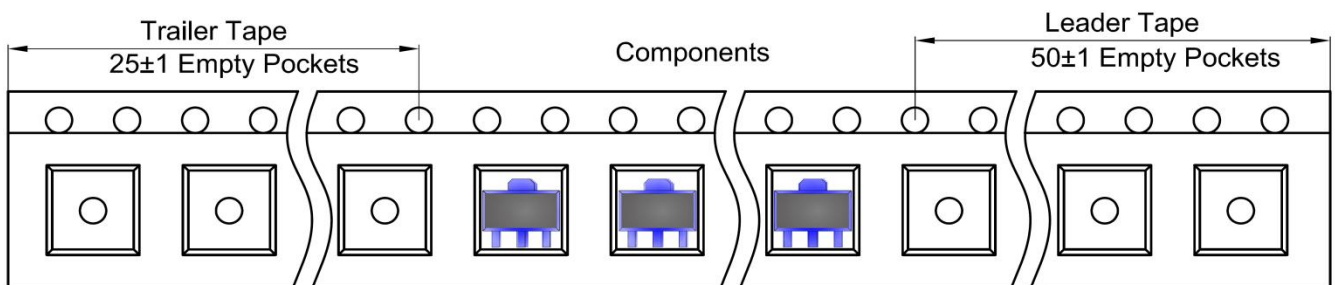
SOT-89 Tape and Reel

SOT-89 Embossed Carrier Tape

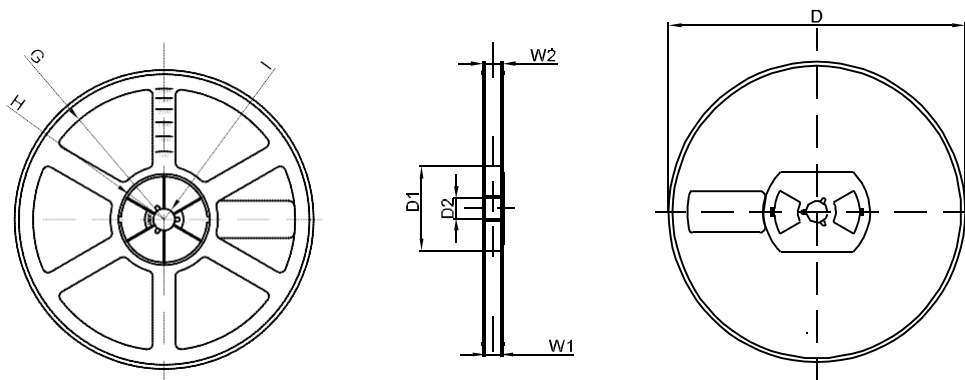


DIMENSIONS ARE IN MILLIMETER										
TYPE	A	B	C	d	E	F	P0	P	P1	W
SOT-89	4.85	4.45	1.85	Ø1.50	1.75	5.50	4.00	8.00	2.00	12.00
TOLERANCE	±0.1	±0.1	±0.1	±0.1	±0.1	±0.1	±0.1	±0.1	±0.1	±0.1

SOT-89 Tape Leader and Trailer



SOT-89 Reel



DIMENSIONS ARE IN MILLIMETER								
REEL OPTION	D	D1	D2	G	H	I	W1	W2
7" DIA	Ø178	54.40	13.00	R78	R25.60	R6.50	13.20	16.50
TOLERANCE	±2	±1	±1	±1	±1	±1	±1	±1