

# Low Dropout 1 Ampere Linear Regulator Family

## FEATURES

- Precision Positive Linear Voltage Regulation
- 0.5V Dropout at 1A
- Guaranteed Reverse Input/ Output Voltage Isolation with Low Leakage
- Low Quiescent Current Irrespective of Load
- Adjustable Output Voltage Version
- Fixed Versions for 3.3V and 5V Outputs
- Logic Shutdown Capability
- Short Circuit Power Limit of  $3\% \cdot V_{IN} \cdot \text{Current Limit}$
- Remote Load Voltage for Accurate Load Regulation

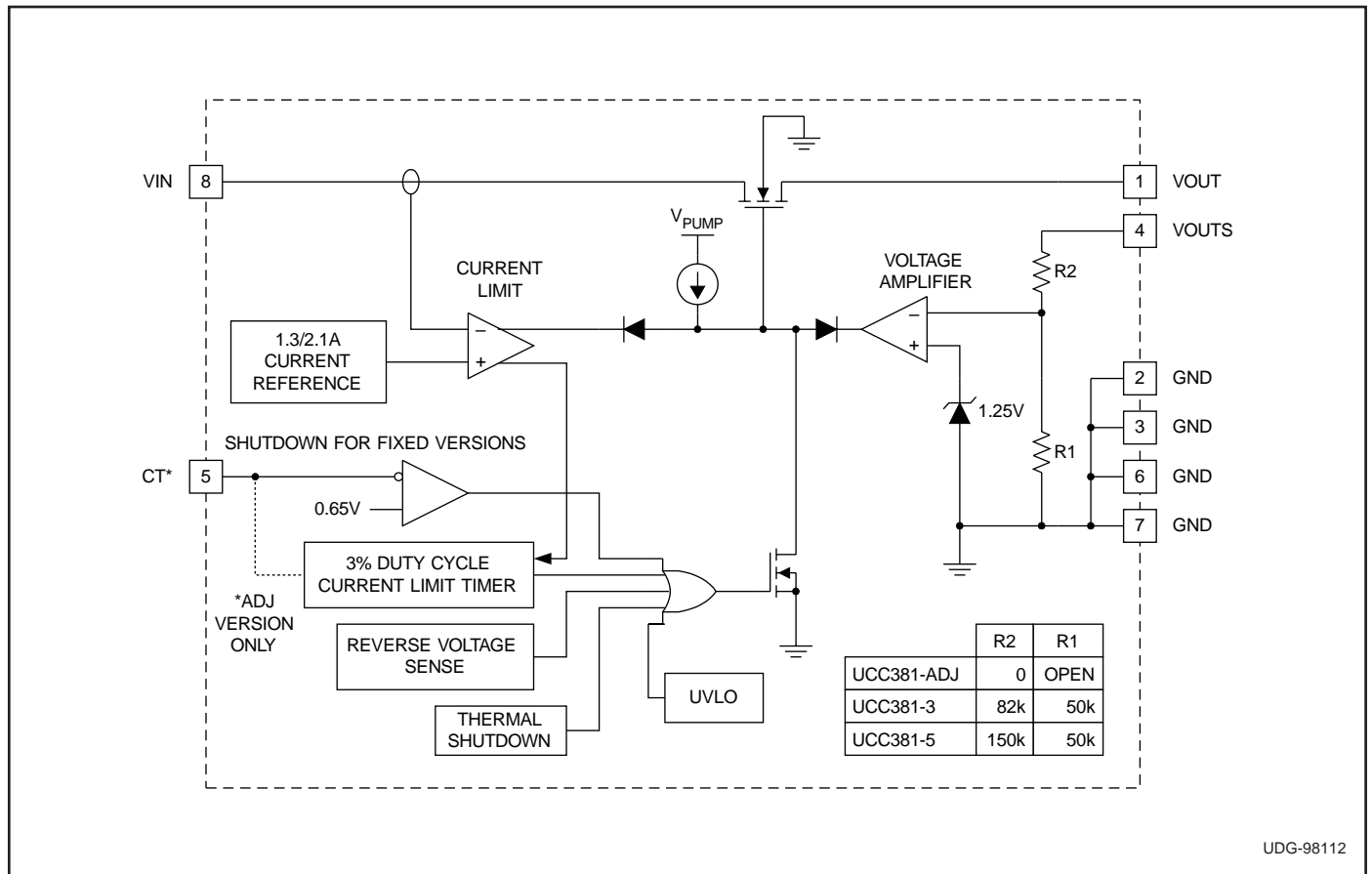
## DESCRIPTION

The UCC381-3/-5/-ADJ family of positive linear series pass regulators is tailored for low drop out applications where low quiescent power is important. Fabricated with a BiCMOS technology ideally suited for low input to output differential applications, the UCC381 will pass 1A while requiring only 0.5V of input voltage headroom. Dropout voltage decreases linearly with output current, so that dropout at 200mA is less than 100mV. Quiescent current is always less than 650 $\mu$ A. To prevent reverse current conduction, on-chip circuitry limits the minimum forward voltage to typically 50mV. Once the forward voltage limit is reached, the input-output differential voltage is maintained as the input voltage drops until undervoltage lockout disables the regulator.

UCC381-3 and UCC381-5 versions have on-chip resistor networks preset to regulate either 3.3V or 5.0V, respectively. Furthermore, remote sensing of the load voltage is possible by connecting the VOUTS pin directly at the load. The output voltage is then regulated to 1.5% at room temperature and better than 2.5% over temperature. The UCC381-ADJ version has a regulated output voltage programmed by an external user-definable resistor ratio.

(continued)

## BLOCK DIAGRAM



UDG-98112

## ABSOLUTE MAXIMUM RATINGS

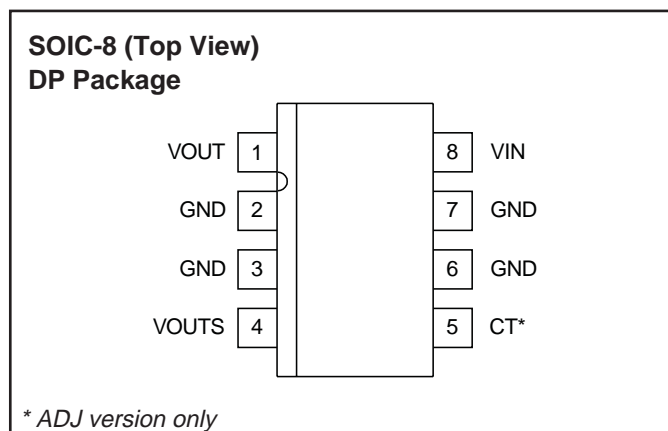
V <sub>IN</sub> .....	9V
CT.....	-0.3 to 3V
Storage Temperature.....	-65°C to +150°C
Junction Temperature.....	-55°C to +150°C
Lead Temperature (Soldering, 10 sec.).....	+300°C

Currents are positive into, negative out of the specified terminal. Consult Packaging Section of Databook for thermal limitations and considerations of packages. All voltages are referenced to GND.

## DESCRIPTION (cont.)

Short circuit current is internally limited. The device responds to a sustained overcurrent condition by turning off after a T<sub>ON</sub> delay. The device then stays off for a period, T<sub>OFF</sub>, that is 32 times the T<sub>ON</sub> delay. The device then begins pulsing on and off at the T<sub>ON</sub> / (T<sub>ON</sub>+T<sub>OFF</sub>) duty cycle of 3%. This drastically reduces the power dissipation during short circuit such that heat sinking, if at all required, must only accommodate normal operation. On the fixed output versions of the device T<sub>ON</sub> is fixed at 400µs – a guaranteed minimum. On the adjustable version an external capacitor sets the on time. The off time is always 32 times T<sub>ON</sub>.

## CONNECTION DIAGRAMS



The UCC381 can be shutdown to 25µA (max) by pulling the CT pin low.

Internal power dissipation is further controlled with thermal overload protection circuitry. Thermal shutdown occurs if the junction temperature exceeds 165°C. The chip will remain off until the temperature has dropped 20°C.

The UCC281 series is specified for operation over the industrial range of -40°C to +85°C, and the UCC381 series is specified from 0°C to +70°C. These devices are available in the 8 pin DP surface mount power package. For other packaging options consult the factory.

**ELECTRICAL CHARACTERISTICS:** Unless otherwise stated, these specifications hold for T<sub>A</sub> = 0°C to 70°C for the UCC381-X series and -40°C to +85°C for the UCC283-X series, V<sub>IN</sub> = V<sub>OUT</sub> + 1.5V, I<sub>OUT</sub> = 0mA, C<sub>OUT</sub> = 2.2µF, C<sub>T</sub> = 1500pF for the UCC381-ADJ version and V<sub>OUT</sub> set to 5V. T<sub>J</sub> = T<sub>A</sub>.

PARAMETER	TEST CONDITIONS	MIN	TYP	MAX	UNITS
<b>UCC381-5 Fixed 5V, 1A Family</b>					
Output Voltage	T <sub>J</sub> = 25°C	4.925	5	5.075	V
	Over Temperature	4.875		5.125	V
Line Regulation	V <sub>IN</sub> = 5.15V to 9V		1	3	mV
Load Regulation	I <sub>OUT</sub> = 0mA to 1A		2	5	mV
Drop Out Voltage, V <sub>IN</sub> – V <sub>OUT</sub>	I <sub>OUT</sub> = 1A, V <sub>OUT</sub> = 4.85V, T <sub>A</sub> < 85°C		0.5	0.6	V
	I <sub>OUT</sub> = 200mA, V <sub>OUT</sub> = 4.85V, T <sub>A</sub> < 85°C		100	200	mV
Peak Current Limit	V <sub>OUT</sub> = 0V		2	3.5	A
Overcurrent Threshold		1		1.8	A
Current Limit Duty Cycle	V <sub>OUT</sub> = 0V		3	5	%
Overcurrent Time Out, T <sub>ON</sub>	V <sub>OUT</sub> = 0V	400	750	1600	µs
Quiescent Current			400	650	µA
Quiescent Current in Shutdown	V <sub>IN</sub> = 9V		10	25	µA
Shutdown Threshold	At C <sub>T</sub> Input	0.25	0.65		V
Reverse Leakage Current	1V < V <sub>IN</sub> < V <sub>OUT</sub> , V <sub>OUT</sub> < 5.1V, at V <sub>OUT</sub>			75	µA
UVLO Threshold	V <sub>IN</sub> where V <sub>OUT</sub> passes current	2.5	2.8	3.0	V

**ELECTRICAL CHARACTERISTICS:** Unless otherwise stated, these specifications hold for  $T_A = 0^\circ\text{C}$  to  $70^\circ\text{C}$  for the UCC381-X series and  $-40^\circ\text{C}$  to  $+85^\circ\text{C}$  for the UCC283-X series,  $V_{IN} = V_{OUT} + 1.5\text{V}$ ,  $I_{OUT} = 0\text{mA}$ ,  $C_{OUT} = 2.2\mu\text{F}$ ,  $C_T = 1500\text{pF}$  for the UCC381-ADJ version and  $V_{OUT}$  set to  $5\text{V}$ .  $T_J = T_A$ .

PARAMETER	TEST CONDITIONS	MIN	TYP	MAX	UNITS
<b>UCC381-3 Fixed 3.3V, 1A Family</b>					
Output Voltage	$T_J = 25^\circ\text{C}$	3.25	3.3	3.35	V
	Over Temperature	3.22		3.38	V
Line Regulation	$V_{IN} = 3.45\text{V}$ to $9\text{V}$		1	3	mV
Load Regulation	$I_{OUT} = 0\text{mA}$ to $1\text{A}$		2	5	mV
Dropout Voltage, $V_{IN} - V_{OUT}$	$I_{OUT} = 1\text{A}$ , $V_{OUT} = 3.15\text{V}$ , $T_A < 85^\circ\text{C}$		0.6	0.8	V
	$I_{OUT} = 200\text{mA}$ , $V_{OUT} = 3.15\text{V}$ , $T_A < 85^\circ\text{C}$		100	200	mV
Peak Current Limit	$V_{OUT} = 0\text{V}$		2	3.5	A
Overcurrent Threshold		1		1.8	A
Current Limit Duty Cycle	$V_{OUT} = 0\text{V}$		3	5	%
Overcurrent Time Out, $T_{ON}$	$V_{OUT} = 0\text{V}$	400	750	1600	$\mu\text{s}$
Quiescent Current			400	650	$\mu\text{A}$
Quiescent Current in Shutdown	$V_{IN} = 9\text{V}$		10	25	$\mu\text{A}$
Shutdown Threshold	At $C_T$ Input	0.25	0.65		V
Reverse Leakage Current	$1\text{V} < V_{IN} < V_{OUT}$ , $V_{OUT} < 3.35\text{V}$ , at $V_{OUT}$			75	$\mu\text{A}$
UVLO Threshold	$V_{IN}$ where $V_{OUT}$ passes current	2.5	2.8	3.0	V
<b>UCC381-ADJ Adjustable Output, 1A Family</b>					
Regulating Voltage at ADJ Input	$T_J = 25^\circ\text{C}$	1.23	1.25	1.27	V
	Over Temperature	1.22		1.28	V
Line Regulation, at ADJ Input	$V_{IN} = V_{OUT} + 150\text{mV}$ to $9\text{V}$		1	3	mV
Load Regulation, at ADJ Input	$I_{OUT} = 0\text{mA}$ to $1\text{A}$		2	5	mV
Dropout Voltage, $V_{IN} - V_{OUT}$	$I_{OUT} = 1\text{A}$ , $V_{OUT} = 4.85\text{V}$		0.5	0.6	V
	$I_{OUT} = 200\text{mA}$ , $V_{OUT} = 4.85\text{V}$		100	200	mV
Peak Current Limit	$V_{OUT} = 0\text{V}$		2	3.5	A
Overcurrent Threshold		1		1.8	A
Current Limit Duty Cycle	$V_{OUT} = 0\text{V}$		3	5	%
Overcurrent Time Out, $T_{ON}$	$V_{OUT} = 0\text{V}$ , $C_T = 1500\text{pF}$	400	1000	1600	$\mu\text{s}$
Quiescent Current			400	650	$\mu\text{A}$
Quiescent Current in Shutdown	$V_{IN} = 9\text{V}$		10	25	$\mu\text{A}$
Shutdown Threshold	At $C_T$ Input	0.25	0.65		V
Reverse Leakage Current	$1\text{V} < V_{IN} < V_{OUT}$ , $V_{OUT} < 9\text{V}$ , at $V_{OUT}$			100	$\mu\text{A}$
Bias Current at ADJ Input			100	250	nA
UVLO Threshold	$V_{IN}$ where $V_{OUT}$ passes current	2.5	2.8	3.0	V

## PIN DESCRIPTIONS

**CT:** For UCC381-3 and UCC381-5 versions, this is the shutdown pin which, when pulled low, turns off the regulator output and puts the device in a low current state. For the UCC381-ADJ version, a capacitor is required between the CT pin and GND to set the  $T_{ON}$  time during overcurrent according to the following (typical) equation:

$$T_{ON} = 660,000 \cdot C_{CT}$$

**GND:** All voltages are measured with respect to this pin. This is the low noise ground reference input for regulation. The output decoupling capacitor should be tied to PIN 7.

**VIN:** Positive supply input for the regulator. Bypass this pin to GND with at least  $1\mu\text{F}$  of low ESR, ESL capacitance if the source is located further than 1 inch from the device.

**VOUT:** Output for regulator. The regulator does not require a minimum output capacitor for stability. Choose the appropriate size capacitor for the application with re-

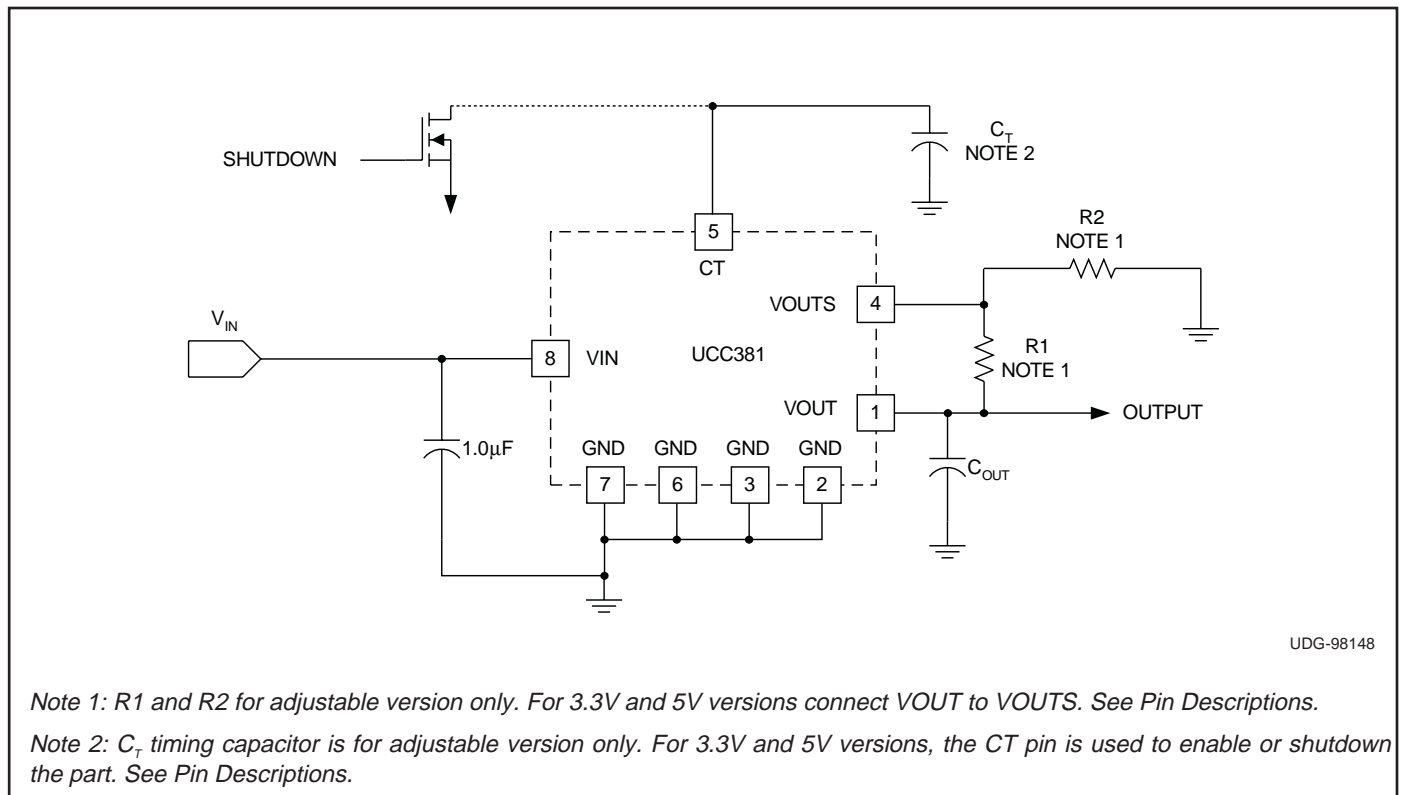
spect to the required transient loading. For example, if the load is very dynamic, a large capacitor will smooth out the response to load steps.

**VOULTS:** Feedback for regulator sensing of the output voltage. For loads which are a considerable resistive distance from the VOUT pin, the VOULTS pin can be used to move the resistance into the control loop of the regulator, thereby effectively canceling the IR drop associated with the load path. For local regulation, merely connect this pin directly to the VOUT pin. For the UCC381-ADJ version, the output voltage can be set by two external resistors according to the following relationship:

$$V_{OUT} = 1.25 \cdot \left( 1 + \frac{R2}{R1} \right)$$

where R1 is a resistor connected between VOUT and VOULTS and R2 is a resistor connected between VOULTS and GND.

## TYPICAL APPLICATION CIRCUIT



## APPLICATION INFORMATION

### Overview

The UCC381 family of low dropout linear (LDO) regulators provide a regulated output voltage for applications with up to 1A of load current. The regulator features a low dropout voltage and short circuit protection, making their use ideal for demanding high current applications requiring fault tolerance.

### Short Circuit Protection

The UCC381 provides unique short circuit protection circuitry that reduces power dissipation during a fault. When an overload situation is detected, the device enters a pulsed mode of operation at 3% duty cycle reducing the heat sink requirements during a fault. The UCC381 has two current thresholds that determine its behavior during a fault as shown in Fig. 1.

When the regulator current exceeds the **Overcurrent Threshold** for a period longer than the  $T_{ON}$ , the UCC381 shuts off for a period ( $T_{OFF}$ ) which is 32 times  $T_{ON}$ . If the short circuit current exceeds the **Peak Current Limit**, the regulator limits the current to peak current limit during the  $T_{ON}$  period. The peak current limit is nominally 1 Amp greater than the overcurrent threshold. The regulator will continue in pulsed mode until the fault is cleared as illustrated in Fig. 1.

A capacitive load on the regulator's output will appear as a short circuit during start-up. If the capacitance is too large, the output voltage will not come into regulation during the initial  $T_{ON}$  period and the UCC381 will enter pulsed mode operation. The peak current limit,  $T_{ON}$  period, and load characteristics determine the maximum value of output capacitor that can be charged. For a constant current load the maximum output capacitance is given as follows:

$$C_{OUT(max)} = (I_{CL} - I_{LOAD}) \cdot \frac{T_{ON}}{V_{OUT}} \text{ Farads} \quad (1)$$

For worst case calculations the minimum values of on time ( $T_{ON}$ ) and peak current limit ( $I_{CL}$ ) should be used. The adjustable version allows the  $T_{ON}$  time to be adjusted with a capacitor on the CT pin:

$$T_{ON(adj)} (\mu\text{sec}) = 660,000 \cdot C (\mu\text{Farads}) \quad (2)$$

For a resistive load ( $R_{LOAD}$ ) the maximum output capacitor can be estimated from:

$$C_{OUT(max)} = \frac{T_{ON}}{R_{LOAD} \cdot \ln \left( \frac{1}{1 - \left( \frac{V_{OUT}}{I_{CL} \cdot R_{LOAD}} \right)} \right)} \text{ Farads} \quad (3)$$

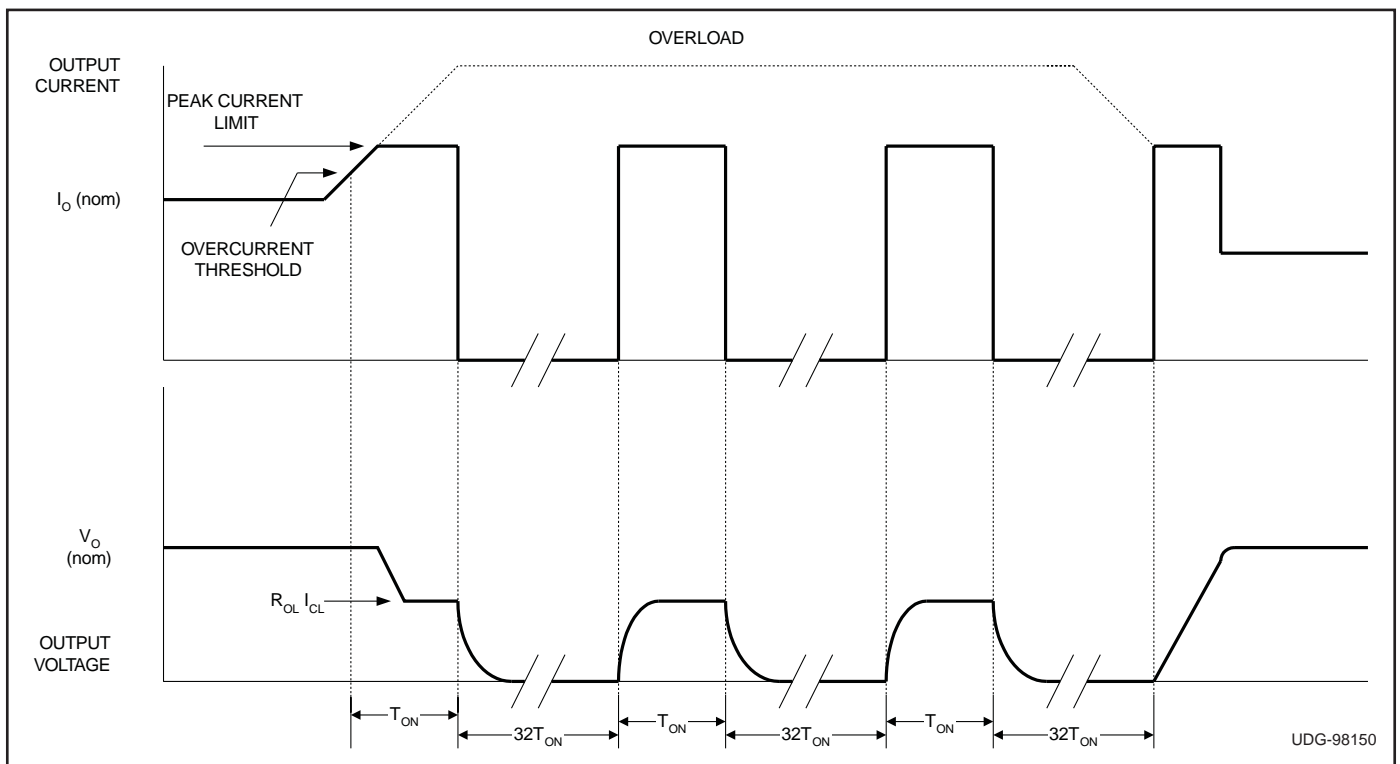


Figure 1. UCC381 short circuit timing.

## APPLICATION INFORMATION (cont.)

### Dropout Performance

Referring to the Block Diagram, the dropout voltage of the UCC381 is equal to the minimum voltage drop ( $V_{IN}$  to  $V_{OUT}$ ) across the N-Channel MOSFET. The dropout voltage is dependent on operating conditions such as load current, input and load voltages, as well as temperature. The UCC381 achieves a low  $R_{DS(ON)}$  through the use of an internal charge-pump ( $V_{PUMP}$ ) that drives the MOSFET gate. Fig. 2 depicts typical dropout voltages versus load current for the 3.3V and 5V versions of the part, as well as the adjustable version programmed to 3.0V.

Fig. 3 depicts the typical dropout performance of the adjustable version with various output voltages and load currents.

Operating temperatures effect the  $R_{DS(ON)}$  and dropout voltage of the UCC381. Fig. 4 graphs the typical dropout for the 3.3V and 5V versions with a 3A load over temperature.

### Voltage Programming

Referring to the Typical Application Circuit, the output voltage for the adjustable version is externally programmed through a resistive divider at the  $V_{OUTS}$  pin as shown.

$$V_{OUT} = 1.25 \cdot \left( 1 + \frac{R2}{R1} \right) \text{Volts} \quad (4)$$

For the fixed Voltage versions the resistive divider is internally set, and the  $V_{OUTS}$  pin should be connected to the  $V_{OUT}$  pin. The maximum programmed output voltage for the adjustable part is constrained by the 9V absolute rating of the IC (including the charge pump voltage) and its ability to enhance the N-Channel MOSFET. Unless the load current is well below the 1A rating of the device, output voltages above 7V are not recommended. The minimum output voltage can be programmed down to 1.25V, however, the input voltage must always be greater than the  $UVLO$  of the part.

### Shutdown Feature

All versions include a shutdown feature, limiting quiescent current to 25 $\mu$ A typical. The UCC381 is shut down by pulling the CT pin to below 0.25V. As shown in the applications circuit, a small logic level MOSFET or BJT transistor connected to the CT pin can be driven with a digital signal, putting the device in shutdown. If the CT pin is not pulled low, the IC will internally pull up on the pin, enabling the regulator. The CT pin should not be forced high, as this will interfere with the short circuit protection feature. Selection of the timing capacitor for the adjustable version is explained in the *Short Circuit Protection* section.

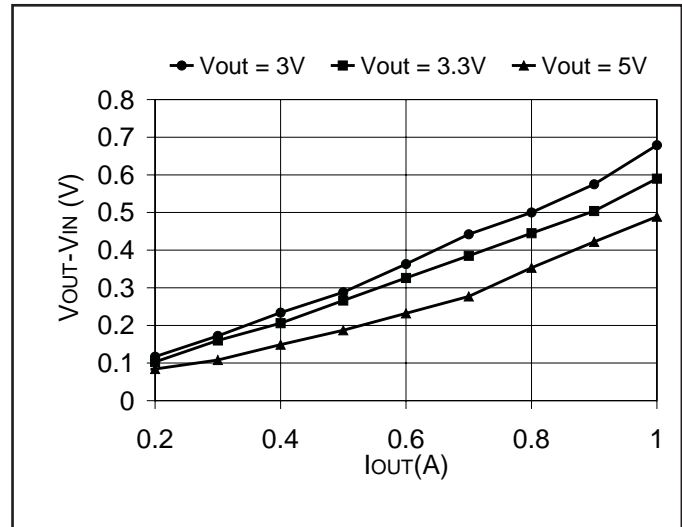


Figure 2. Typical dropout vs. load current.

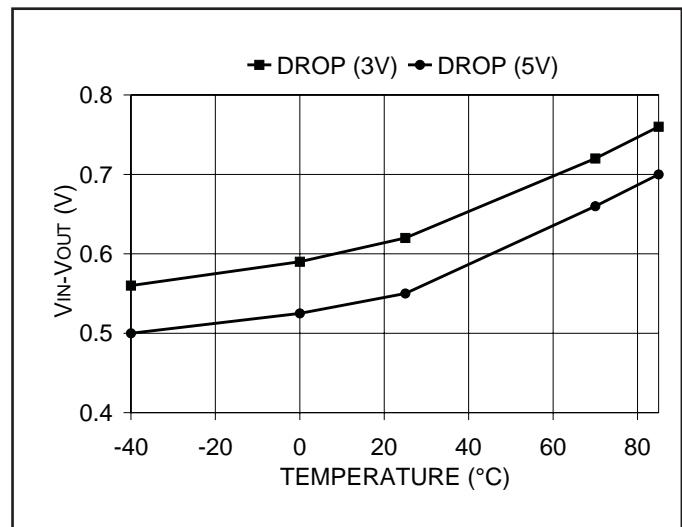


Figure 4. Typical dropout vs. temperature (1A load).

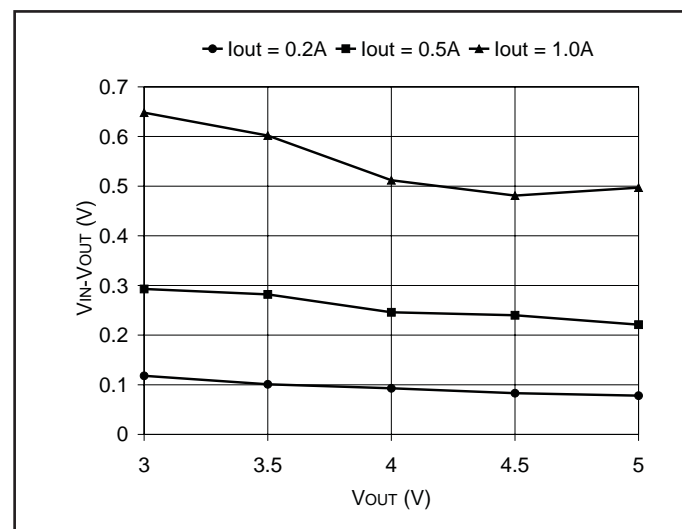


Figure 3. Typical dropout voltage vs. I<sub>out</sub> and V<sub>out</sub>.

## APPLICATION INFORMATION (cont.)

### Thermal Design

The Packing Information section of the data book contains reference material for the thermal ratings of various packages. The section also includes an excellent article *Thermal Characteristics of Surface Mount Packages*, that is the basis of the following discussion.

Thermal design for the UCC381 includes two modes of operation, normal and pulsed mode. In normal operation, the linear regulator and heat sink must dissipate power equal to the maximum forward voltage drop multiplied by the maximum load current. Assuming a constant current load, the expected heat rise at the regulator's junction can be calculated as follows:

$$T_{RISE} = P_{DISS} \cdot (\theta_{jc} + \theta_{ca}) \text{ } ^\circ\text{C} \quad (5)$$

Where theta is thermal resistance and  $P_{DISS}$  is the power dissipated. The thermal resistance of both the SOIC-8 DP package (junction to case) is 22 degrees Celsius per Watt. In order to prevent the regulator from going into thermal shutdown, the case to ambient theta must keep the junction temperature below 150C. If the LDO is mounted on a 5 square inch pad of 1 ounce copper, for example, the thermal resistance from junction to ambient becomes 40-70 degrees Celsius per Watt. If a lower ther-

mal resistance is required by the application, the device heat sinking would need to be improved.

When the UCC381 regulator is in pulsed mode, due to an overload or short circuit in the application, the maximum *average* power dissipation is calculated as follows:

$$P_{PULSE (avg)} = (V_{IN} - V_{OUT}) \cdot I_{CL} \cdot \left( \frac{T_{ON}}{33 \cdot T_{ON}} \right) \text{ Watts} \quad (6)$$

As seen in equation 6, the average power during a fault is reduced dramatically by the duty cycle, allowing the heat sink to be sized for normal operation. Although the peak power in the regulator during the  $T_{ON}$  period can be significant, the thermal mass of the package will generally keep the junction temperature from rising unless the  $T_{ON}$  period is increased to tens of milliseconds.

### Ripple Rejection

Even though the UCC381 linear regulators are not optimized for fast transient applications (Refer to UC182 "Fast LDO Linear Regulator"), they do offer significant power supply rejection at lower frequencies. Fig 5. depicts ripple rejection performance in a typical application. The performance can be improved with additional filtering.

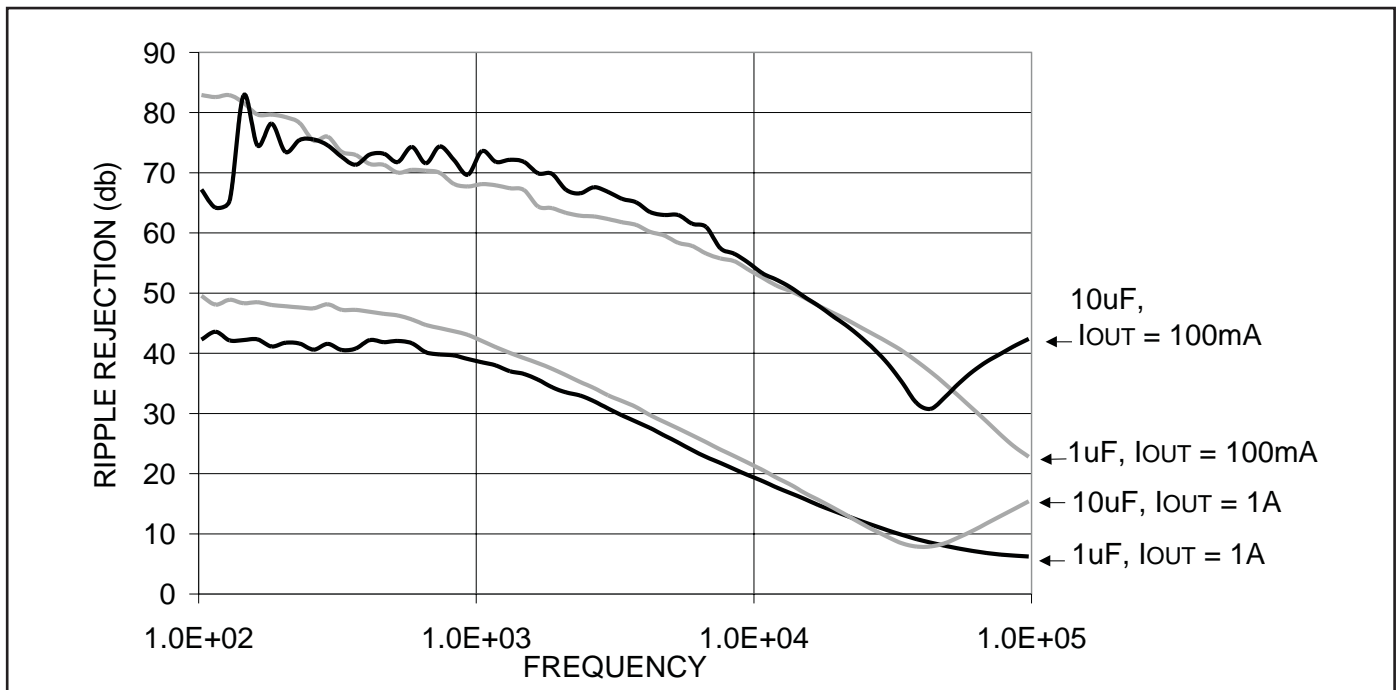


Figure 5. Ripple rejection vs. frequency.



**PACKAGING INFORMATION**

Orderable Device	Status (1)	Package Type	Package Drawing	Pins	Package Qty	Eco Plan (2)	Lead finish/ Ball material (6)	MSL Peak Temp (3)	Op Temp (°C)	Device Marking (4/5)	Samples
UCC281DP-5	ACTIVE	SOIC	D	8	75	RoHS & Green	NIPDAU	Level-2-260C-1 YEAR	0 to 70	UCC281 DP-5 281-5	<a href="#">Samples</a>
UCC281DP-ADJ	ACTIVE	SOIC	D	8	75	RoHS & Green	NIPDAU	Level-2-260C-1 YEAR	0 to 70	UCC281D P-ADJ 281-ADJ	<a href="#">Samples</a>
UCC381DP-3	ACTIVE	SOIC	D	8	75	RoHS & Green	NIPDAU	Level-2-260C-1 YEAR		UCC381 DP-3 381-3	<a href="#">Samples</a>
UCC381DP-5	ACTIVE	SOIC	D	8	75	RoHS & Green	NIPDAU	Level-2-260C-1 YEAR		UCC381 DP-5 381-5	<a href="#">Samples</a>
UCC381DP-ADJ	ACTIVE	SOIC	D	8	75	RoHS & Green	NIPDAU	Level-2-260C-1 YEAR		UCC381D P-ADJ 381-ADJ	<a href="#">Samples</a>
UCC381DPTR-5	ACTIVE	SOIC	D	8	2500	RoHS & Green	NIPDAU	Level-2-260C-1 YEAR		UCC381 DP-5 381-5	<a href="#">Samples</a>
UCC381DPTR-ADJ	ACTIVE	SOIC	D	8	2500	RoHS & Green	NIPDAU	Level-2-260C-1 YEAR		UCC381D P-ADJ 381-ADJ	<a href="#">Samples</a>

(1) The marketing status values are defined as follows:

**ACTIVE:** Product device recommended for new designs.

**LIFEBUY:** TI has announced that the device will be discontinued, and a lifetime-buy period is in effect.

**NRND:** Not recommended for new designs. Device is in production to support existing customers, but TI does not recommend using this part in a new design.

**PREVIEW:** Device has been announced but is not in production. Samples may or may not be available.

**OBSOLETE:** TI has discontinued the production of the device.

(2) **RoHS:** TI defines "RoHS" to mean semiconductor products that are compliant with the current EU RoHS requirements for all 10 RoHS substances, including the requirement that RoHS substance do not exceed 0.1% by weight in homogeneous materials. Where designed to be soldered at high temperatures, "RoHS" products are suitable for use in specified lead-free processes. TI may reference these types of products as "Pb-Free".

**RoHS Exempt:** TI defines "RoHS Exempt" to mean products that contain lead but are compliant with EU RoHS pursuant to a specific EU RoHS exemption.

**Green:** TI defines "Green" to mean the content of Chlorine (Cl) and Bromine (Br) based flame retardants meet JS709B low halogen requirements of <=1000ppm threshold. Antimony trioxide based flame retardants must also meet the <=1000ppm threshold requirement.

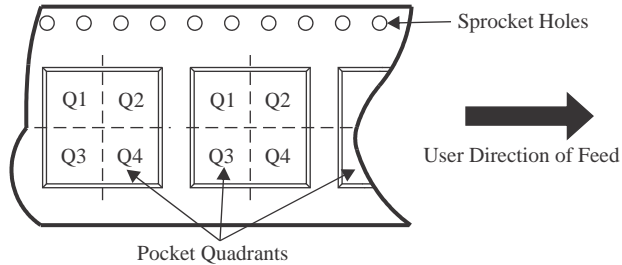


- (3) MSL, Peak Temp. - The Moisture Sensitivity Level rating according to the JEDEC industry standard classifications, and peak solder temperature.
- (4) There may be additional marking, which relates to the logo, the lot trace code information, or the environmental category on the device.
- (5) Multiple Device Markings will be inside parentheses. Only one Device Marking contained in parentheses and separated by a "~" will appear on a device. If a line is indented then it is a continuation of the previous line and the two combined represent the entire Device Marking for that device.
- (6) Lead finish/Ball material - Orderable Devices may have multiple material finish options. Finish options are separated by a vertical ruled line. Lead finish/Ball material values may wrap to two lines if the finish value exceeds the maximum column width.

**Important Information and Disclaimer:**The information provided on this page represents TI's knowledge and belief as of the date that it is provided. TI bases its knowledge and belief on information provided by third parties, and makes no representation or warranty as to the accuracy of such information. Efforts are underway to better integrate information from third parties. TI has taken and continues to take reasonable steps to provide representative and accurate information but may not have conducted destructive testing or chemical analysis on incoming materials and chemicals. TI and TI suppliers consider certain information to be proprietary, and thus CAS numbers and other limited information may not be available for release.

In no event shall TI's liability arising out of such information exceed the total purchase price of the TI part(s) at issue in this document sold by TI to Customer on an annual basis.

**TAPE AND REEL INFORMATION**

**QUADRANT ASSIGNMENTS FOR PIN 1 ORIENTATION IN TAPE**


\*All dimensions are nominal

Device	Package Type	Package Drawing	Pins	SPQ	Reel Diameter (mm)	Reel Width W1 (mm)	A0 (mm)	B0 (mm)	K0 (mm)	P1 (mm)	W (mm)	Pin1 Quadrant
UCC381DPTR-5	SOIC	D	8	2500	330.0	12.4	6.4	5.2	2.1	8.0	12.0	Q1

## TAPE AND REEL BOX DIMENSIONS



\*All dimensions are nominal

Device	Package Type	Package Drawing	Pins	SPQ	Length (mm)	Width (mm)	Height (mm)
UCC381DPTR-5	SOIC	D	8	2500	356.0	356.0	35.0

**TUBE**


\*All dimensions are nominal

Device	Package Name	Package Type	Pins	SPQ	L (mm)	W (mm)	T (μm)	B (mm)
UCC281DP-5	D	SOIC	8	75	506.6	8	3940	4.32
UCC281DP-ADJ	D	SOIC	8	75	506.6	8	3940	4.32
UCC381DP-3	D	SOIC	8	75	506.6	8	3940	4.32
UCC381DP-5	D	SOIC	8	75	506.6	8	3940	4.32
UCC381DP-ADJ	D	SOIC	8	75	506.6	8	3940	4.32

## IMPORTANT NOTICE AND DISCLAIMER

TI PROVIDES TECHNICAL AND RELIABILITY DATA (INCLUDING DATA SHEETS), DESIGN RESOURCES (INCLUDING REFERENCE DESIGNS), APPLICATION OR OTHER DESIGN ADVICE, WEB TOOLS, SAFETY INFORMATION, AND OTHER RESOURCES "AS IS" AND WITH ALL FAULTS, AND DISCLAIMS ALL WARRANTIES, EXPRESS AND IMPLIED, INCLUDING WITHOUT LIMITATION ANY IMPLIED WARRANTIES OF MERCHANTABILITY, FITNESS FOR A PARTICULAR PURPOSE OR NON-INFRINGEMENT OF THIRD PARTY INTELLECTUAL PROPERTY RIGHTS.

These resources are intended for skilled developers designing with TI products. You are solely responsible for (1) selecting the appropriate TI products for your application, (2) designing, validating and testing your application, and (3) ensuring your application meets applicable standards, and any other safety, security, regulatory or other requirements.

These resources are subject to change without notice. TI grants you permission to use these resources only for development of an application that uses the TI products described in the resource. Other reproduction and display of these resources is prohibited. No license is granted to any other TI intellectual property right or to any third party intellectual property right. TI disclaims responsibility for, and you will fully indemnify TI and its representatives against, any claims, damages, costs, losses, and liabilities arising out of your use of these resources.

TI's products are provided subject to [TI's Terms of Sale](#) or other applicable terms available either on [ti.com](https://www.ti.com) or provided in conjunction with such TI products. TI's provision of these resources does not expand or otherwise alter TI's applicable warranties or warranty disclaimers for TI products.

TI objects to and rejects any additional or different terms you may have proposed.

Mailing Address: Texas Instruments, Post Office Box 655303, Dallas, Texas 75265  
Copyright © 2023, Texas Instruments Incorporated