

DS30BA101 3.125Gbps 差分缓冲器

 查询样品: [DS30BA101](#)

特性

- DC 的数据速率达到 **3.125Gbps**
- 支持标清 (SD) 和高清 (HD) 视频分辨率
- 功耗: 典型值为 **165mW**
- 工业温度范围: **-40°C 至 +85°C**

应用范围

- 电缆延长
- 信号缓冲和重复
- 安全和监控

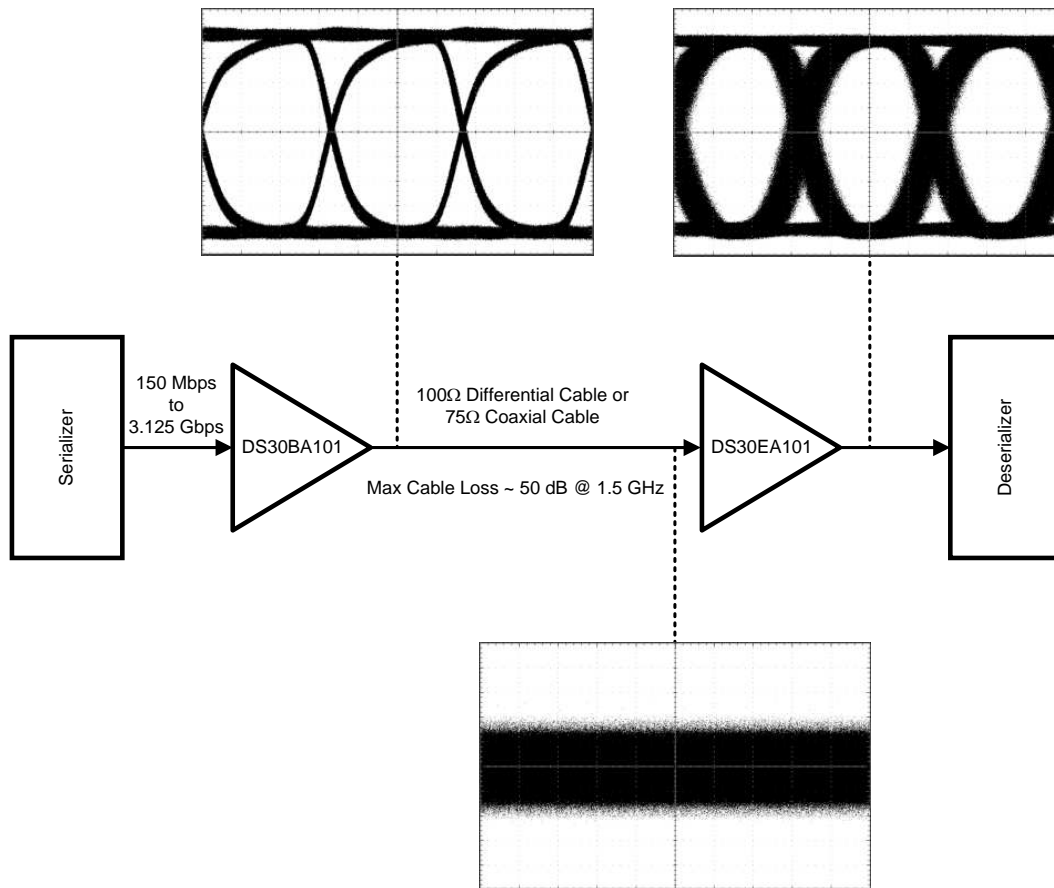
说明

DS30BA101 是一款高速差分缓冲器, 此缓冲器用于电缆驱动、信号缓冲和信号重复应用。它的全差分信号路径确保了出色的信号完整性和抗扰度。DS30BA101 以高达 3.125Gbps 的数据速率驱动差分 and 单端传输线路。

输出电压振幅可由电缆的一个单个外部电阻器调节, 此电缆将应用驱动进入 75Ω 单端和 100Ω 差分模式阻抗。

DS30BA101 由一个单个 3.3V 电源供电, 功耗 165mW (典型值)。它运行在 -40°C 至 +85°C 的全工业温度范围内, 并且采用 4mm x 4mm 16 引脚超薄型四方扁平无引线 (WQFN) 封装。

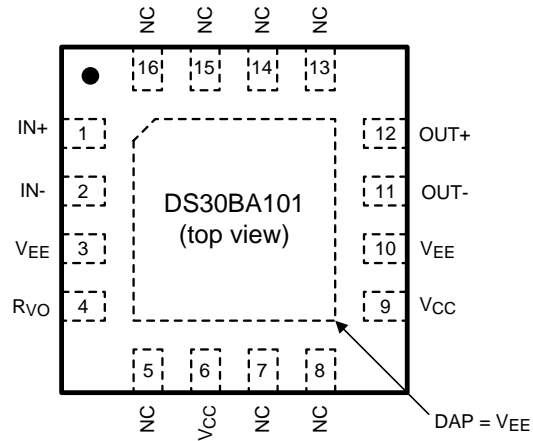
典型应用



Please be aware that an important notice concerning availability, standard warranty, and use in critical applications of Texas Instruments semiconductor products and disclaimers thereto appears at the end of this data sheet.

All trademarks are the property of their respective owners.

连接图



外露裸片连接垫是用于这个器件的一个负电端子。它应该被连接至负电源电压。

图 1. 16 引脚 WQFN 封装
请见封装编号 RUM0016A

引脚说明

引脚	名称	I/O, 类型	说明
1	IN+	I, CML	非反相输入。
2	IN-	I, CML	反相输入。
3	V _{EE}	接地	负电源（接地）。
4	R _{VO}	I, 模拟	输出电压电平控制。在这个引脚与 V _{CC} 之间连接一个电阻器以设定输出电压。
5	NC	不可用	否 连接。内部未连接。
6	V _{CC}	电源	正电源（+3.3V）。
7	NC	不可用	否 连接。内部未连接。
8	NC	不可用	否 连接。内部未连接。
9	V _{CC}	电源	正电源（+3.3V）。
10	V _{EE}	接地	负电源（接地）。
11	OUT-	O, 数据	反相输出。
12	OUT+	O, 数据	非反相输出。
13	NC	不可用	否 连接。内部未连接。
14	NC	不可用	否 连接。内部未连接。
15	NC	不可用	否 连接。内部未连接。
16	NC	不可用	否 连接。内部未连接。
DAP	V _{EE}	接地	将外露 DAP 连接至负电源（接地）。



These devices have limited built-in ESD protection. The leads should be shorted together or the device placed in conductive foam during storage or handling to prevent electrostatic damage to the MOS gates.

Absolute Maximum Ratings⁽¹⁾

Supply Voltage:	3.6V
Input Voltage (all inputs)	-0.3V to $V_{CC}+0.3V$
Output Current	28 mA
Storage Temperature Range	-65°C to +150°C
Junction Temperature	+125°C
Package Thermal Resistance θ_{JA} 16-pin WQFN θ_{JC} 16-pin WQFN	+58°C/W +21°C/W
ESD Rating (HBM)	$\geq \pm 4.5$ kV
ESD Rating (MM)	$\geq \pm 250V$
ESD Rating (CDM)	$\geq \pm 2$ kV

- (1) "Absolute Maximum Ratings" indicate limits beyond which damage to the device may occur, including inoperability and degradation of device reliability and/or performance. Functional operation of the device and/or non-degradation at the Absolute Maximum Ratings or other conditions beyond those indicated in the Recommended Operating Conditions is not implied. The Recommended Operating Conditions indicate conditions at which the device is functional and the device should not be operated beyond such conditions.

Recommended Operating Conditions

Supply Voltage (V_{CC}):	3.3V $\pm 5\%$
Operating Free Air Temperature (T_A)	-40°C to +85°C

DC Electrical Characteristics

Over recommended supply voltage and operating temperature ranges, unless otherwise specified. ⁽¹⁾ ⁽²⁾

Parameter		Test Conditions	Reference	Min	Typ	Max	Units
V_{ICM}	Input Common Mode Voltage		IN+, IN-	$1.1 + V_{ID}/2$		$V_{CC} - V_{ID}/2$	V
V_{ID}	Input Voltage Swing	Differential		100		2200	mV _{P-P}
V_{OCM}	Output Common Mode Voltage		OUT+, OUT-		$V_{CC} - V_{OUT}$		V
V_{OUT}	Output Voltage	Single-ended, 75 Ω load, $R_{VO} = 750\Omega$			800		mV _{P-P}
		Single-ended, 50 Ω load, $R_{VO} = 953\Omega$			400		mV _{P-P}
I_{CC}	Supply Current				50	59	mA

- (1) The Electrical Characteristics tables list ensured specifications under the listed Recommended Operating Conditions except as otherwise modified or specified by the Electrical Characteristics Conditions and/or Notes. Typical specifications are estimations only and are not ensured.
- (2) Typical values represent most likely parametric norms at $V_{CC} = +3.3V$, $T_A = +25^\circ C$, and at the Recommended Operating Conditions at the time of product characterization and are not ensured.

AC Electrical Characteristics

Over recommended supply voltage and operating temperature ranges, unless otherwise specified. ⁽¹⁾ ⁽²⁾

Parameter		Test Conditions	Reference	Min	Typ	Max	Units
DR_{IN}	Input Data Rate		IN+, IN-			3125	Mbps
t_{TLH}	Transition Time Low to High	20% - 80% ⁽³⁾	OUT+, OUT-		90	130	ps
t_{THL}	Transition Time High to Low				90	130	ps

- (1) The Electrical Characteristics tables list ensured specifications under the listed Recommended Operating Conditions except as otherwise modified or specified by the Electrical Characteristics Conditions and/or Notes. Typical specifications are estimations only and are not ensured.
- (2) Typical values represent most likely parametric norms at $V_{CC} = +3.3V$, $T_A = +25^\circ C$, and at the Recommended Operating Conditions at the time of product characterization and are not ensured.
- (3) Specification is ensured by characterization and is not tested in production.

DEVICE OPERATION

INPUT INTERFACING

The DS30BA101 accepts either differential or single-ended input. DC-coupled inputs must be kept within the specified common-mode range.

OUTPUT INTERFACING

The DS30BA101 uses current mode outputs. Single-ended output levels are 800 mV_{P-P} into 75Ω AC-coupled coaxial cable with an R_{VO} resistor of 750Ω, or 400 mV_{P-P} (800 mV_{P-P} differential) into 100Ω differential cable with an R_{VO} resistor of 953Ω. The output voltage level is controlled by the value of the R_{VO} resistor connected between the R_{VO} pin and V_{CC}.

The R_{VO} resistor should be placed as close as possible to the R_{VO} pin. In addition, the copper in the plane layers below the R_{VO} network should be removed to minimize parasitic capacitance.

Figure 2 and Figure 3 show the typical configurations for differential output and single-ended output, respectively. For single-ended output, the unused output must be properly terminated as shown.

APPLICATION INFORMATION

CABLE EXTENDER APPLICATION

The DS30BA101 together with the DS30EA101 form a cable extender chipset optimized for extending serial data streams from serializer/deserializer (SerDes) pairs and FPGAs over 100Ω differential cables and 75Ω coaxial cables. Setting the correct DS30BA101 output amplitude and proper cable termination are essential for optimal operation. Figure 2 shows the recommended chipset configuration for 100Ω differential cable and Figure 3 shows the recommended chipset configuration for 75Ω coaxial cable.

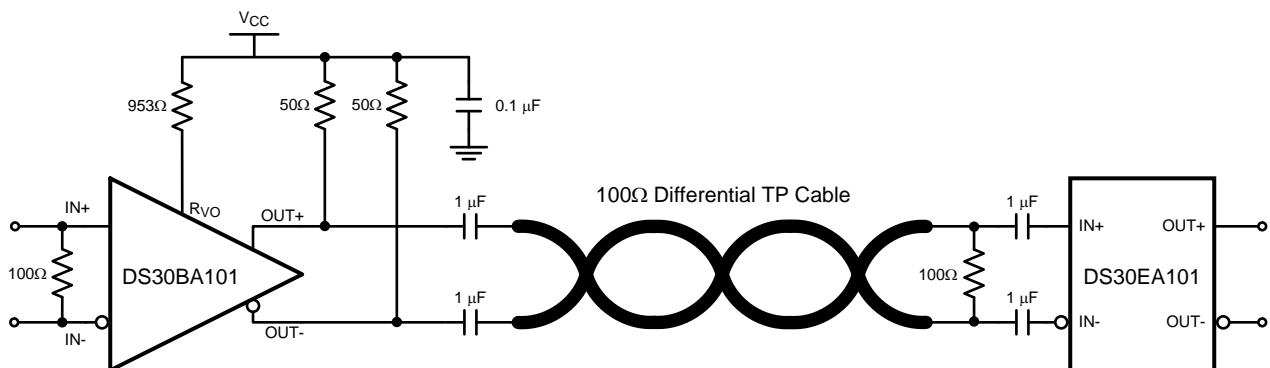


Figure 2. Cable Extender Chipset Application Circuit for 100Ω Differential Cable

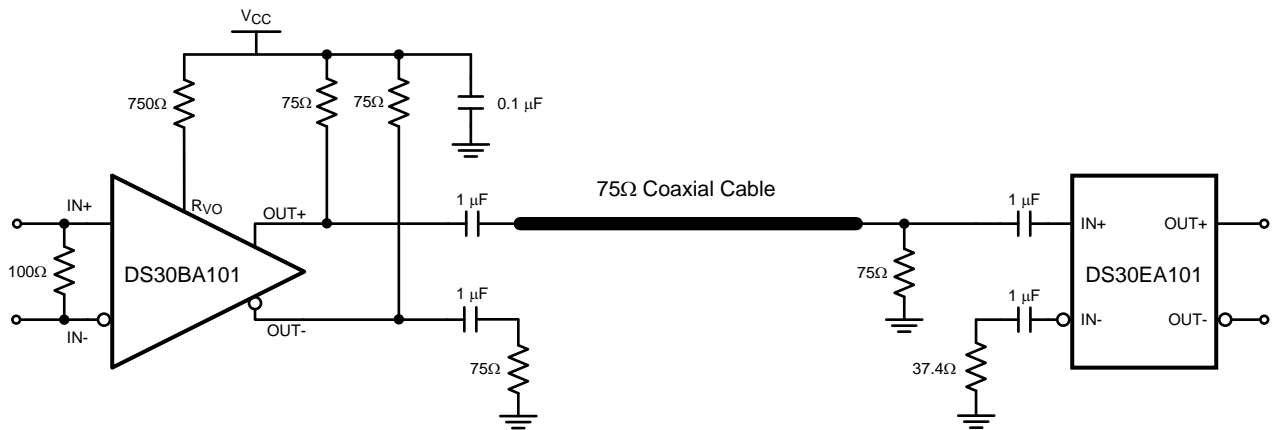


Figure 3. Cable Extender Chipset Application Circuit for 75Ω Coaxial Cable

REVISION HISTORY

Changes from Original (April 2013) to Revision A	Page
• Changed layout of National Data Sheet to TI format	5

PACKAGING INFORMATION

Orderable Device	Status (1)	Package Type	Package Drawing	Pins	Package Qty	Eco Plan (2)	Lead finish/ Ball material (6)	MSL Peak Temp (3)	Op Temp (°C)	Device Marking (4/5)	Samples
DS30BA101SQ/NOPB	ACTIVE	WQFN	RUM	16	1000	RoHS & Green	SN	Level-3-260C-168 HR	-40 to 85	30BA101	Samples
DS30BA101SQE/NOPB	ACTIVE	WQFN	RUM	16	250	RoHS & Green	SN	Level-3-260C-168 HR	-40 to 85	30BA101	Samples
DS30BA101SQX/NOPB	ACTIVE	WQFN	RUM	16	4500	RoHS & Green	SN	Level-3-260C-168 HR	-40 to 85	30BA101	Samples

(1) The marketing status values are defined as follows:

ACTIVE: Product device recommended for new designs.

LIFEBUY: TI has announced that the device will be discontinued, and a lifetime-buy period is in effect.

NRND: Not recommended for new designs. Device is in production to support existing customers, but TI does not recommend using this part in a new design.

PREVIEW: Device has been announced but is not in production. Samples may or may not be available.

OBsolete: TI has discontinued the production of the device.

(2) **RoHS:** TI defines "RoHS" to mean semiconductor products that are compliant with the current EU RoHS requirements for all 10 RoHS substances, including the requirement that RoHS substance do not exceed 0.1% by weight in homogeneous materials. Where designed to be soldered at high temperatures, "RoHS" products are suitable for use in specified lead-free processes. TI may reference these types of products as "Pb-Free".

RoHS Exempt: TI defines "RoHS Exempt" to mean products that contain lead but are compliant with EU RoHS pursuant to a specific EU RoHS exemption.

Green: TI defines "Green" to mean the content of Chlorine (Cl) and Bromine (Br) based flame retardants meet JS709B low halogen requirements of <=1000ppm threshold. Antimony trioxide based flame retardants must also meet the <=1000ppm threshold requirement.

(3) MSL, Peak Temp. - The Moisture Sensitivity Level rating according to the JEDEC industry standard classifications, and peak solder temperature.

(4) There may be additional marking, which relates to the logo, the lot trace code information, or the environmental category on the device.

(5) Multiple Device Markings will be inside parentheses. Only one Device Marking contained in parentheses and separated by a "~" will appear on a device. If a line is indented then it is a continuation of the previous line and the two combined represent the entire Device Marking for that device.

(6) Lead finish/Ball material - Orderable Devices may have multiple material finish options. Finish options are separated by a vertical ruled line. Lead finish/Ball material values may wrap to two lines if the finish value exceeds the maximum column width.

Important Information and Disclaimer:The information provided on this page represents TI's knowledge and belief as of the date that it is provided. TI bases its knowledge and belief on information provided by third parties, and makes no representation or warranty as to the accuracy of such information. Efforts are underway to better integrate information from third parties. TI has taken and continues to take reasonable steps to provide representative and accurate information but may not have conducted destructive testing or chemical analysis on incoming materials and chemicals. TI and TI suppliers consider certain information to be proprietary, and thus CAS numbers and other limited information may not be available for release.

In no event shall TI's liability arising out of such information exceed the total purchase price of the TI part(s) at issue in this document sold by TI to Customer on an annual basis.

TAPE AND REEL INFORMATION

QUADRANT ASSIGNMENTS FOR PIN 1 ORIENTATION IN TAPE

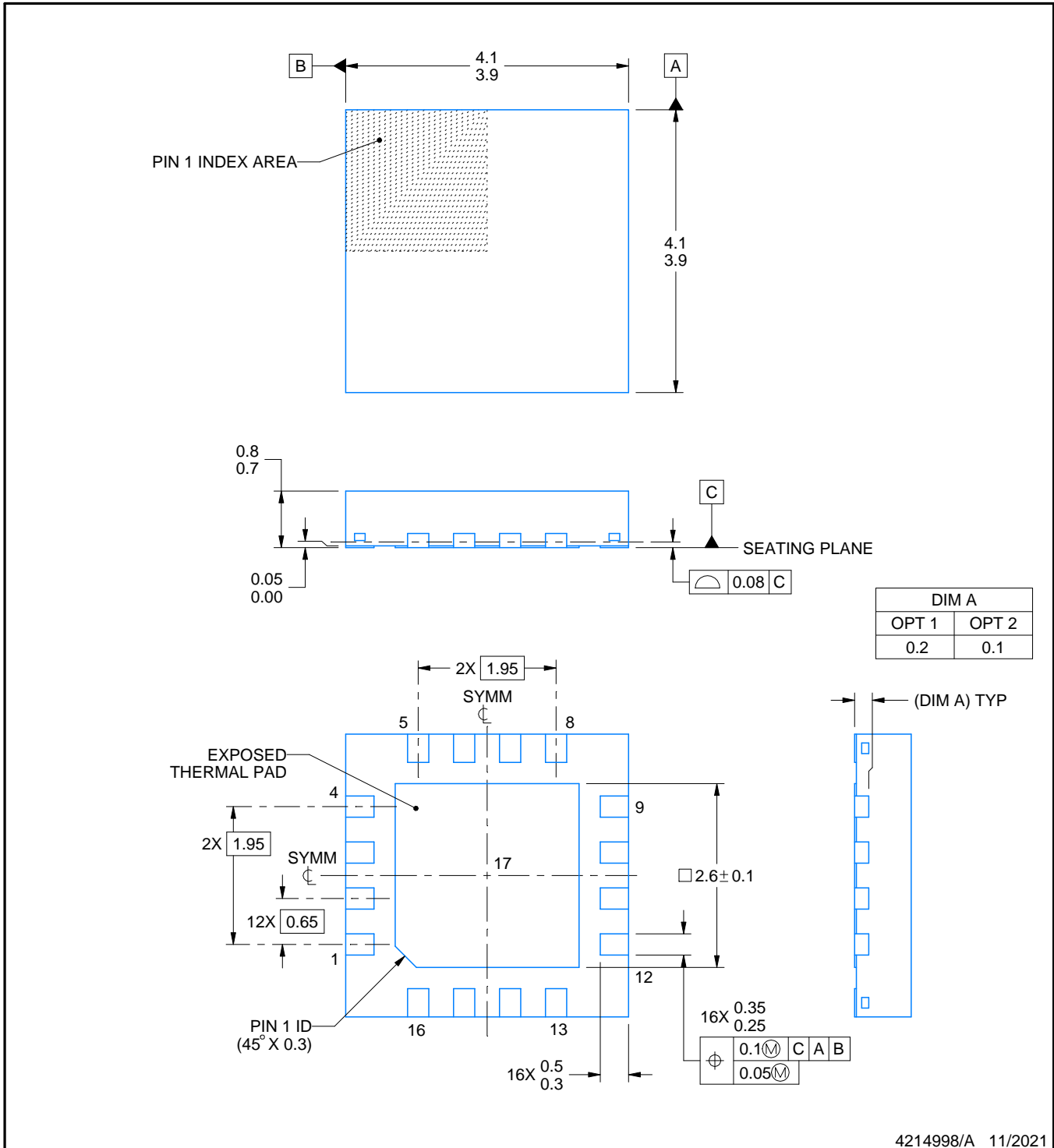
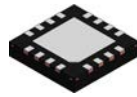

*All dimensions are nominal

Device	Package Type	Package Drawing	Pins	SPQ	Reel Diameter (mm)	Reel Width W1 (mm)	A0 (mm)	B0 (mm)	K0 (mm)	P1 (mm)	W (mm)	Pin1 Quadrant
DS30BA101SQ/NOPB	WQFN	RUM	16	1000	178.0	12.4	4.3	4.3	1.3	8.0	12.0	Q1
DS30BA101SQE/NOPB	WQFN	RUM	16	250	178.0	12.4	4.3	4.3	1.3	8.0	12.0	Q1
DS30BA101SQX/NOPB	WQFN	RUM	16	4500	330.0	12.4	4.3	4.3	1.3	8.0	12.0	Q1

TAPE AND REEL BOX DIMENSIONS


*All dimensions are nominal

Device	Package Type	Package Drawing	Pins	SPQ	Length (mm)	Width (mm)	Height (mm)
DS30BA101SQ/NOPB	WQFN	RUM	16	1000	208.0	191.0	35.0
DS30BA101SQE/NOPB	WQFN	RUM	16	250	208.0	191.0	35.0
DS30BA101SQX/NOPB	WQFN	RUM	16	4500	356.0	356.0	35.0



4214998/A 11/2021

NOTES:

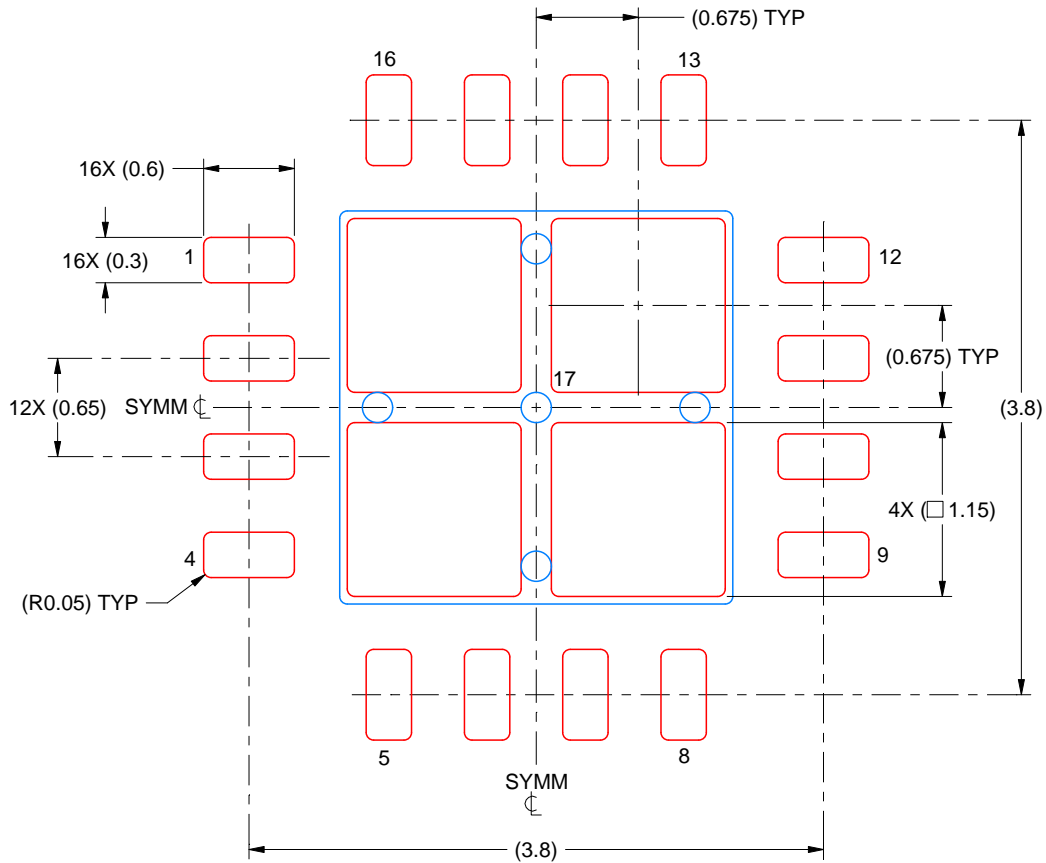
1. All linear dimensions are in millimeters. Any dimensions in parenthesis are for reference only. Dimensioning and tolerancing per ASME Y14.5M.
2. This drawing is subject to change without notice.
3. The package thermal pad must be soldered to the printed circuit board for thermal and mechanical performance.

EXAMPLE STENCIL DESIGN

RUM0016A

WQFN - 0.8 mm max height

PLASTIC QUAD FLATPACK - NO LEAD



SOLDER PASTE EXAMPLE
BASED ON 0.125 MM THICK STENCIL
SCALE: 20X

EXPOSED PAD 17
78% PRINTED SOLDER COVERAGE BY AREA UNDER PACKAGE

4214998/A 11/2021

NOTES: (continued)

6. Laser cutting apertures with trapezoidal walls and rounded corners may offer better paste release. IPC-7525 may have alternate design recommendations.

重要声明和免责声明

TI“按原样”提供技术和可靠性数据（包括数据表）、设计资源（包括参考设计）、应用或其他设计建议、网络工具、安全信息和其他资源，不保证没有瑕疵且不做任何明示或暗示的担保，包括但不限于对适销性、某特定用途方面的适用性或不侵犯任何第三方知识产权的暗示担保。

这些资源可供使用 TI 产品进行设计的熟练开发人员使用。您将自行承担以下全部责任：(1) 针对您的应用选择合适的 TI 产品，(2) 设计、验证并测试您的应用，(3) 确保您的应用满足相应标准以及任何其他功能安全、信息安全、监管或其他要求。

这些资源如有变更，恕不另行通知。TI 授权您仅可将这些资源用于研发本资源所述的 TI 产品的应用。严禁对这些资源进行其他复制或展示。您无权使用任何其他 TI 知识产权或任何第三方知识产权。您应全额赔偿因在这些资源的使用中对 TI 及其代表造成的任何索赔、损害、成本、损失和债务，TI 对此概不负责。

TI 提供的产品受 [TI 的销售条款](#) 或 [ti.com](#) 上其他适用条款/TI 产品随附的其他适用条款的约束。TI 提供这些资源并不会扩展或以其他方式更改 TI 针对 TI 产品发布的适用的担保或担保免责声明。

TI 反对并拒绝您可能提出的任何其他或不同的条款。

邮寄地址：Texas Instruments, Post Office Box 655303, Dallas, Texas 75265

Copyright © 2022，德州仪器 (TI) 公司