

High-Speed CMOS Logic 8-Bit Universal Shift Register; Three-State

Features

- Buffered Inputs
- Four Operating Modes: Shift Left, Shift Right, Load and Store
- Can be Cascaded for N-Bit Word Lengths
- I/O₀ - I/O₇ Bus Drive Capability and Three-State for Bus Oriented Applications
- Typical f_{MAX} = 50MHz at V_{CC} = 5V, C_L = 15pF, T_A = 25°C
- Fanout (Over Temperature Range)
 - Standard Outputs 10 LSTTL Loads
 - Bus Driver Outputs 15 LSTTL Loads
- Wide Operating Temperature Range . . . -55°C to 125°C
- Balanced Propagation Delay and Transition Times
- Significant Power Reduction Compared to LSTTL Logic ICs
- HC Types
 - 2V to 6V Operation
 - High Noise Immunity: N_{IL} = 30%, N_{IH} = 30% of V_{CC} at V_{CC} = 5V
- HCT Types
 - 4.5V to 5.5V Operation
 - Direct LSTTL Input Logic Compatibility, V_{IL} = 0.8V (Max), V_{IH} = 2V (Min)
 - CMOS Input Compatibility, I_I ≤ 1μA at V_{OL}, V_{OH}

Description

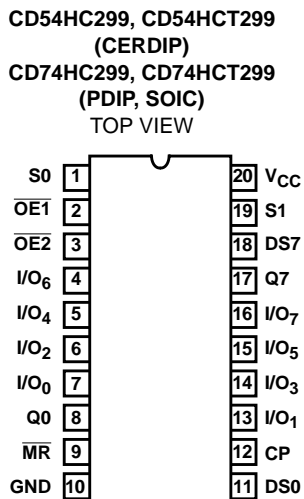
The 'HC259 and 'HCT299 are 8-bit shift/storage registers with three-state bus interface capability. The register has four synchronous-operating modes controlled by the two select inputs as shown in the mode select (S0, S1) table. The mode select, the serial data (DS0, DS7) and the parallel data (I/O₀ - I/O₇) respond only to the low-to-high transition of the clock (CP) pulse. S0, S1 and data inputs must be stable one set-up time prior to the clock positive transition.

The Master Reset (\overline{MR}) is an asynchronous active low input. When \overline{MR} output is low, the register is cleared regardless of the status of all other inputs. The register can be expanded by cascading same units by tying the serial output (Q0) to the serial data (DS7) input of the preceding register, and tying the serial output (Q7) to the serial data (DS0) input of the following register. Recirculating the (n x 8) bits is accomplished by tying the Q7 of the last stage to the DS0 of the first stage.

The three-state input/output I/O port has three modes of operation:

1. Both output enable ($\overline{OE1}$ and $\overline{OE2}$) inputs are low and S0 or S1 or both are low, the data in the register is presented at the eight outputs.
2. When both S0 and S1 are high, I/O terminals are in the high impedance state but being input ports, ready for parallel data to be loaded into eight registers with one clock transition regardless of the status of $\overline{OE1}$ and $\overline{OE2}$.
3. Either one of the two output enable inputs being high will force I/O terminals to be in the off-state. It is noted that each I/O terminal is a three-state output and a CMOS buffer input.

Pinout

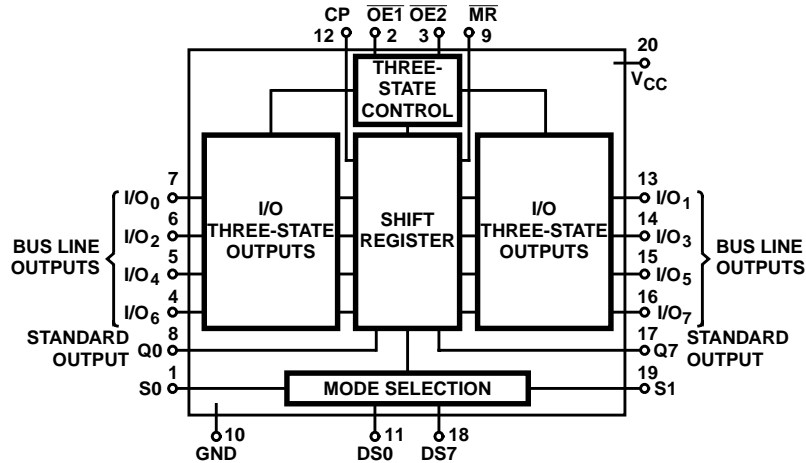


Ordering Information

| PART NUMBER | TEMP. RANGE (°C) | PACKAGE |
|---------------|------------------|--------------|
| CD54HC299F3A | -55 to 125 | 20 Ld CERDIP |
| CD54HCT299F3A | -55 to 125 | 20 Ld CERDIP |
| CD74HC299E | -55 to 125 | 20 Ld PDIP |
| CD74HC299M | -55 to 125 | 20 Ld SOIC |
| CD74HC299M96 | -55 to 125 | 20 Ld SOIC |
| CD74HCT299E | -55 to 125 | 20 Ld PDIP |
| CD74HCT299M | -55 to 125 | 20 Ld SOIC |
| CD74HCT299M96 | -55 to 125 | 20 Ld SOIC |

NOTE: When ordering, use the entire part number. The suffix 96 denotes tape and reel.

Functional Diagram



MODE SELECT FUNCTION TABLE THREE-STATE I/O PORT OPERATING MODE

| FUNCTION | INPUTS | | | | INPUTS/OUTPUTS | |
|---------------|--------|-----|----|----|----------------|---------------|
| | OE1 | OE2 | S0 | S1 | Qn (REGISTER) | I/O0 --- I/O7 |
| Read Register | L | L | L | X | L | L |
| | L | L | L | X | H | H |
| | L | L | X | L | L | L |
| | L | L | X | L | H | H |
| Load Register | X | X | H | H | Qn = I/On | I/On = Inputs |
| Disable I/O | H | X | X | X | X | (Z) |
| | X | H | X | X | X | (Z) |

TRUTH TABLE

| FUNCTION | INPUTS | | | | | | | REGISTER OUTPUTS | | | | |
|----------------------|--------|----|----|----|-----|-----|------|------------------|----|-----|----|----|
| | MR | CP | S0 | S1 | DS0 | DS7 | I/On | Q0 | Q1 | --- | Q6 | Q7 |
| RESET (CLEAR) | L | X | X | X | X | X | X | L | L | --- | L | L |
| Shift Right | H | ↑ | h | l | l | X | X | L | q0 | --- | q5 | q6 |
| | H | ↑ | h | l | h | X | X | H | q0 | --- | q5 | Q6 |
| Shift Left | H | ↑ | l | h | X | l | X | q1 | q2 | --- | q7 | L |
| | H | ↑ | l | h | X | h | X | q1 | q2 | --- | q7 | H |
| Hold (Do Nothing) | H | ↑ | l | l | X | X | X | q0 | q1 | --- | q6 | q7 |
| Parallel Load | H | ↑ | h | h | X | X | l | L | L | --- | L | L |
| | H | ↑ | h | h | X | X | h | H | H | --- | H | H |

H = Input Voltage High Level, h = Input voltage high one set-up timer prior clock transition; L = Input Voltage Low Level; l = Input voltage low one set-up time prior to clock transition; qn = Lower case letter indicates the state of the reference output one set-up time prior to clock transition; X - Voltage level on logic status don't care; Z = Output in high impedance state, ↑ = Low to High Clock Transition.

CD54HC299, CD74HC299, CD54HCT299, CD74HCT299

Absolute Maximum Ratings

| | |
|---|-------------|
| DC Supply Voltage, V_{CC} | -0.5V to 7V |
| DC Input Diode Current, I_{IK} | |
| For $V_I < -0.5V$ or $V_I > V_{CC} + 0.5V$ | $\pm 20mA$ |
| DC Output Diode Current, I_{OK} | |
| For $V_O < -0.5V$ or $V_O > V_{CC} + 0.5V$ | $\pm 20mA$ |
| DC Drain Current, per Output, I_O , For $-0.5V < V_O < V_{CC} + 0.5V$ | |
| For Q Outputs | $\pm 25mA$ |
| For I/O Outputs | $\pm 35mA$ |
| DC Output Source or Sink Current per Output Pin, I_O | |
| For $V_O > -0.5V$ or $V_O < V_{CC} + 0.5V$ | $\pm 25mA$ |
| DC V_{CC} or Ground Current, I_{CC} | $\pm 50mA$ |

Thermal Information

| | |
|--|----------------------|
| Thermal Resistance (Typical, Note 1) | θ_{JA} (°C/W) |
| E (PDIP) Package | 69 |
| M (SOIC) Package | 58 |
| Maximum Junction Temperature | 150°C |
| Maximum Storage Temperature Range | -65°C to 150°C |
| Maximum Lead Temperature (Soldering 10s) | 300°C |
| (SOIC - Lead Tips Only) | |

Operating Conditions

| | |
|--|----------------|
| Temperature Range, T_A | -55°C to 125°C |
| Supply Voltage Range, V_{CC} | |
| HC Types | .2V to 6V |
| HCT Types | .4.5V to 5.5V |
| DC Input or Output Voltage, V_I, V_O | 0V to V_{CC} |
| Input Rise and Fall Time | |
| 2V | 1000ns (Max) |
| 4.5V | 500ns (Max) |
| 6V | 400ns (Max) |

CAUTION: Stresses above those listed in "Absolute Maximum Ratings" may cause permanent damage to the device. This is a stress only rating and operation of the device at these or any other conditions above those indicated in the operational sections of this specification is not implied.

NOTE:

- The package thermal impedance is calculated in accordance with JESD 51-7.

DC Electrical Specifications

| PARAMETER | SYMBOL | TEST CONDITIONS | | V_{CC} (V) | 25°C | | | -40°C TO 85°C | | -55°C TO 125°C | | UNITS | | |
|---|----------|----------------------|------------|--------------|------|-----|-----------|---------------|---------|----------------|---------|---------|-----|---|
| | | V_I (V) | I_O (mA) | | MIN | TYP | MAX | MIN | MAX | MIN | MAX | | | |
| HC TYPES | | | | | | | | | | | | | | |
| High Level Input Voltage | V_{IH} | - | - | 2 | 1.5 | - | - | 1.5 | - | 1.5 | - | V | | |
| | | | | 4.5 | 3.15 | - | - | 3.15 | - | 3.15 | - | V | | |
| | | | | 6 | 4.2 | - | - | 4.2 | - | 4.2 | - | V | | |
| Low Level Input Voltage | V_{IL} | - | - | 2 | - | - | 0.5 | - | 0.5 | - | 0.5 | V | | |
| | | | | 4.5 | - | - | 1.35 | - | 1.35 | - | 1.35 | V | | |
| | | | | 6 | - | - | 1.8 | - | 1.8 | - | 1.8 | V | | |
| High Level Output Voltage CMOS Loads | V_{OH} | V_{IH} or V_{IL} | -0.02 | 2 | 1.9 | - | - | 1.9 | - | 1.9 | - | V | | |
| | | | | 4.5 | 4.4 | - | - | 4.4 | - | 4.4 | - | V | | |
| | | | | 6 | 5.9 | - | - | 5.9 | - | 5.9 | - | V | | |
| High Level Output Voltage TTL Loads | V_{OH} | V_{IH} or V_{IL} | -0.02 | Qn | I/On | - | - | - | - | - | - | V | | |
| | | | | -4 | -6 | 4.5 | 3.98 | - | - | 3.84 | - | 3.7 | - | V |
| | | | | -5.2 | -7.8 | 6 | 5.48 | - | - | 5.34 | - | 5.2 | - | V |
| Low Level Output Voltage CMOS Loads | V_{OL} | V_{IH} or V_{IL} | 0.02 | 2 | - | - | 0.1 | - | 0.1 | - | 0.1 | V | | |
| | | | | 4.5 | - | - | 0.1 | - | 0.1 | - | 0.1 | V | | |
| | | | | 6 | - | - | 0.1 | - | 0.1 | - | 0.1 | V | | |
| Low Level Output Voltage TTL Loads | V_{OL} | V_{IH} or V_{IL} | 0.02 | Qn | I/On | - | - | - | - | - | - | V | | |
| | | | | 4 | 6 | 4.5 | - | - | 0.26 | - | 0.33 | - | 0.4 | V |
| | | | | 5.2 | 7.8 | 6 | - | - | 0.26 | - | 0.33 | - | 0.4 | V |
| Input Leakage Current | I_I | V_{CC} or GND | - | 6 | - | - | ± 0.1 | - | ± 1 | - | ± 1 | μA | | |

CD54HC299, CD74HC299, CD54HCT299, CD74HCT299

DC Electrical Specifications (Continued)

| PARAMETER | SYMBOL | TEST CONDITIONS | | V _{CC} (V) | 25°C | | | -40°C TO 85°C | | -55°C TO 125°C | | UNITS |
|--|------------------------------------|---|---------------------|---------------------|------|-----|------|---------------|------|----------------|-----|-------|
| | | V _I (V) | I _O (mA) | | MIN | TYP | MAX | MIN | MAX | MIN | MAX | |
| Quiescent Device Current | I _{CC} | V _{CC} or GND | 0 | 6 | - | - | 8 | - | 80 | - | 160 | μA |
| Three- State Leakage Current | V _{IL} or V _{IH} | V _O = V _{CC} or GND | - | 6 | - | - | ±0.5 | - | ±5 | - | ±10 | μA |
| HCT TYPES | | | | | | | | | | | | |
| High Level Input Voltage | V _{IH} | - | - | 4.5 to 5.5 | 2 | - | - | 2 | - | 2 | - | V |
| Low Level Input Voltage | V _{IL} | - | - | 4.5 to 5.5 | - | - | 0.8 | - | 0.8 | - | 0.8 | V |
| High Level Output Voltage CMOS Loads | V _{OH} | V _{IH} or V _{IL} | -0.02 | 4.5 | 4.4 | - | - | 4.4 | - | 4.4 | - | V |
| High Level Output Voltage TTL Loads | | | -4 | 4.5 | 3.98 | - | - | 3.84 | - | 3.7 | - | V |
| Low Level Output Voltage CMOS Loads | V _{OL} | V _{IH} or V _{IL} | 0.02 | 4.5 | - | - | 0.1 | - | 0.1 | - | 0.1 | V |
| Low Level Output Voltage TTL Loads | | | 4 | 4.5 | - | - | 0.26 | - | 0.33 | - | 0.4 | V |
| Input Leakage Current | I _I | V _{CC} and GND | 0 | 5.5 | - | - | ±0.1 | - | ±1 | - | ±1 | μA |
| Quiescent Device Current | I _{CC} | V _{CC} or GND | 0 | 5.5 | - | - | 8 | - | 80 | - | 160 | μA |
| Three- State Leakage Current | V _{IL} or V _{IH} | V _O = V _{CC} or GND | - | 6 | - | - | ±0.5 | - | ±5 | - | ±10 | μA |
| Additional Quiescent Device Current Per Input Pin: 1 Unit Load | ΔI _{CC} (Note 2) | V _{CC} -2.1 | - | 4.5 to 5.5 | - | 100 | 360 | - | 450 | - | 490 | μA |

NOTE:

2. For dual-supply systems theoretical worst case (V_I = 2.4V, V_{CC} = 5.5V) specification is 1.8mA.

HCT Input Loading Table

| INPUT | UNIT LOADS |
|-------------------------------------|------------|
| S1, MR | 0.25 |
| I/O ₀ - I/O ₇ | 0.25 |
| DS0, DS7 | 0.25 |
| S0, CP | 0.6 |
| OE1, OE2 | 0.3 |

NOTE: Unit Load is ΔI_{CC} limit specific in Static Specifications Table, e.g., 360μA max. at 25°C.

CD54HC299, CD74HC299, CD54HCT299, CD74HCT299

Prerequisite for Switching Specifications

| PARAMETER | SYMBOL | V _{CC} (V) | 25°C | | | -40°C TO 85°C | | | -55°C TO 125°C | | | UNITS |
|--|------------------|---------------------|------|-----|-----|---------------|-----|-----|----------------|-----|-----|-------|
| | | | MIN | TYP | MAX | MIN | TYP | MAX | MIN | TYP | MAX | |
| HC TYPES | | | | | | | | | | | | |
| Maximum Clock Frequency | f _{MAX} | 2 | 6 | - | - | 5 | - | - | 4 | - | - | MHz |
| | | 4.5 | 30 | - | - | 25 | - | - | 20 | - | - | MHz |
| | | 6 | 35 | - | - | 29 | - | - | 23 | - | - | MHz |
| MR Pulse Width | t _W | 2 | 50 | - | - | 65 | - | - | 75 | - | - | ns |
| | | 4.5 | 10 | - | - | 13 | - | - | 15 | - | - | ns |
| | | 6 | 9 | - | - | 11 | - | - | 13 | - | - | ns |
| Clock Pulse Width | t _W | 2 | 80 | - | - | 100 | - | - | 120 | - | - | ns |
| | | 4.5 | 16 | - | - | 20 | - | - | 24 | - | - | ns |
| | | 6 | 14 | - | - | 17 | - | - | 20 | - | - | ns |
| Setup Time DS0, DS7, I/On to Clock | t _{SU} | 2 | 100 | - | - | 125 | - | - | 150 | - | - | ns |
| | | 4.5 | 20 | - | - | 25 | - | - | 30 | - | - | ns |
| | | 6 | 17 | - | - | 21 | - | - | 26 | - | - | ns |
| Hold Time DS0, DS7, I/On, S0, S1 to Clock | t _H | 2 | 0 | - | - | 0 | - | - | 0 | - | - | ns |
| | | 4.5 | 0 | - | - | 0 | - | - | 0 | - | - | ns |
| | | 6 | 0 | - | - | 0 | - | - | 0 | - | - | ns |
| Recovery Time MR to Clock | t _{REC} | 2 | 5 | - | - | 5 | - | - | 5 | - | - | ns |
| | | 4.5 | 5 | - | - | 5 | - | - | 5 | - | - | ns |
| | | 6 | 5 | - | - | 5 | - | - | 5 | - | - | ns |
| Setup Time S1, S0 to Clock | t _{SU} | 2 | 120 | - | - | 150 | - | - | 180 | - | - | ns |
| | | 4.5 | 24 | - | - | 30 | - | - | 36 | - | - | ns |
| | | 6 | 20 | - | - | 26 | - | - | 31 | - | - | ns |
| HCT TYPES | | | | | | | | | | | | |
| Maximum Clock Frequency | f _{MAX} | 4.5 | 25 | - | - | 20 | - | - | 16 | - | - | MHz |
| MR Pulse Width | t _W | 4.5 | 15 | - | - | 19 | - | - | 22 | - | - | ns |
| Clock Pulse Width | t _W | 4.5 | 20 | - | - | 25 | - | - | 30 | - | - | ns |
| Setup Time DS0, DS7, I/On, S0, S1 to Clock | t _{SU} | 4.5 | 20 | - | - | 25 | - | - | 30 | - | - | ns |
| Hold Time DS0, DS7, I/On, S0, S1 to Clock | t _H | 4.5 | 0 | - | - | 0 | - | - | 0 | - | - | ns |
| Recovery Time MR to Clock | t _{REC} | 4.5 | 5 | - | - | 5 | - | - | 5 | - | - | ns |
| Setup Time S1, S0 to Clock | t _{SU} | 4.5 | 27 | - | - | 34 | - | - | 41 | - | - | ns |

CD54HC299, CD74HC299, CD54HCT299, CD74HCT299

Switching Specifications $C_L = 50\text{pF}$, Input $t_r, t_f = 6\text{ns}$

| PARAMETER | SYMBOL | TEST CONDITIONS | V_{CC} (V) | 25°C | | | -40°C TO 85°C | | -55°C TO 125°C | | UNITS |
|--|--------------------|---------------------|--------------|------|-----|-----|---------------|-----|----------------|-----|-------|
| | | | | MIN | TYP | MAX | MIN | MAX | MIN | MAX | |
| HC TYPES | | | | | | | | | | | |
| Propagation Delay Clock to I/O Output, Clock to Q0 and Q7, MR to Output | t_{PLH}, t_{PHL} | $C_L = 50\text{pF}$ | 2 | - | - | 200 | - | 250 | - | 300 | ns |
| | | | 4.5 | - | - | 40 | - | 50 | - | 60 | ns |
| | | $C_L = 15\text{pF}$ | 5 | - | 17 | - | - | - | - | - | ns |
| | | $C_L = 50\text{pF}$ | 6 | - | - | 34 | - | 43 | - | 51 | ns |
| Output Enable and Disable Times | t_{PZL} | $C_L = 15\text{pF}$ | 5 | - | 10 | - | - | - | - | - | ns |
| | t_{PZH}, t_{PLZ} | | - | 13 | - | - | - | - | - | - | ns |
| | t_{PHZ} | | - | 15 | - | - | - | - | - | - | ns |
| Output High-Z to High Level | t_{PZH} | $C_L = 50\text{pF}$ | 2 | - | - | 155 | - | 195 | - | 235 | ns |
| | | | 4.5 | - | - | 31 | - | 39 | - | 47 | ns |
| | | | 6 | - | - | 26 | - | 33 | - | 40 | ns |
| Output High Level to High-Z | t_{PHZ} | $C_L = 50\text{pF}$ | 2 | - | - | 185 | - | 230 | - | 280 | ns |
| | | | 4.5 | - | - | 37 | - | 46 | - | 56 | ns |
| | | | 6 | - | - | 31 | - | 39 | - | 48 | ns |
| Output Low Level to High-Z | t_{PLZ} | $C_L = 50\text{pF}$ | 2 | - | - | 155 | - | 195 | - | 235 | ns |
| | | | 4.5 | - | - | 31 | - | 39 | - | 47 | ns |
| | | | 6 | - | - | 26 | - | 33 | - | 40 | ns |
| Output High-Z to Low Level | t_{PZL} | $C_L = 50\text{pF}$ | 2 | - | - | 130 | - | 165 | - | 195 | ns |
| | | | 4.5 | - | - | 26 | - | 33 | - | 39 | ns |
| | | | 6 | - | - | 22 | - | 28 | - | 33 | ns |
| Output Transition Time Q0, Q7 | t_{THL}, t_{TLH} | $C_L = 50\text{pF}$ | 2 | - | - | 75 | - | 95 | - | 110 | ns |
| | | | 4.5 | - | - | 15 | - | 19 | - | 22 | ns |
| | | | 6 | - | - | 13 | - | 16 | - | 19 | ns |
| I/O ₀ to I/O ₇ | t_{THL}, t_{TLH} | $C_L = 50\text{pF}$ | 2 | - | - | 60 | - | 75 | - | 90 | ns |
| | | | 4.5 | - | - | 12 | - | 15 | - | 18 | ns |
| | | | 6 | - | - | 10 | - | 13 | - | 15 | ns |
| Input Capacitance | C_I | $C_L = 50\text{pF}$ | - | 10 | - | 10 | - | 10 | - | 10 | pF |
| Three-State Output Capacitance | C_O | - | - | 20 | - | 20 | - | 20 | - | 20 | pF |
| Power Dissipation Capacitance (Notes 3, 4) | C_{PD} | $C_L = 15\text{pF}$ | 5 | - | 150 | - | - | - | - | - | pF |

CD54HC299, CD74HC299, CD54HCT299, CD74HCT299

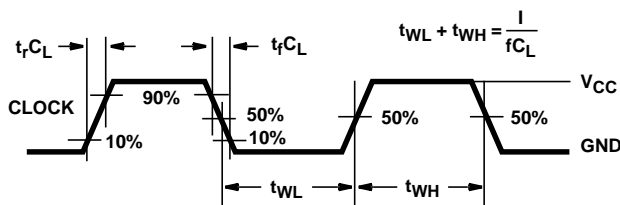
Switching Specifications $C_L = 50\text{pF}$, Input $t_r, t_f = 6\text{ns}$ (Continued)

| PARAMETER | SYMBOL | TEST CONDITIONS | V_{CC} (V) | 25°C | | | -40°C TO 85°C | | -55°C TO 125°C | | UNITS |
|---|--------------------------------------|---------------------|--------------|------|------------|-----|---------------|-----|----------------|-----|-------|
| | | | | MIN | TYP | MAX | MIN | MAX | MIN | MAX | |
| HCT TYPES | | | | | | | | | | | |
| Propagation Delay Clock to I/O Output, Clock to Q0 and Q7 | t_{PHL}, t_{PLH} | $C_L = 50\text{pF}$ | 4.5 | - | - | 45 | - | 56 | - | 68 | ns |
| | | $C_L = 15\text{pF}$ | 5 | - | 19 | - | - | - | - | - | ns |
| \overline{MR} to Output | t_{PHL}, t_{PLH} | $C_L = 50\text{pF}$ | 4.5 | - | - | 46 | - | 58 | - | 69 | ns |
| Output Enable and Disable Times | $t_{PZL}, t_{PZH}, t_{PLZ}, t_{PHZ}$ | $C_L = 15\text{pF}$ | 5 | - | 10, 13, 15 | - | - | - | - | - | ns |
| Output High-Z to High Level | t_{PZH} | $C_L = 50\text{pF}$ | 4.5 | - | - | 32 | - | 40 | - | 48 | ns |
| Output High Level to High-Z | t_{PHZ} | $C_L = 50\text{pF}$ | 4.5 | - | - | 37 | - | 46 | - | 56 | ns |
| Output Low Level to High-Z | t_{PLZ} | $C_L = 50\text{pF}$ | 4.5 | - | - | 32 | - | 40 | - | 48 | ns |
| Output High-Z to Low Level | t_{PZL} | $C_L = 50\text{pF}$ | 4.5 | - | - | 30 | - | 38 | - | 45 | ns |
| Output Transition Time Q0, Q7 | t_{TLH}, t_{THL} | $C_L = 50\text{pF}$ | 4.5 | - | - | 15 | - | 19 | - | 22 | ns |
| I/O0 to I/O7 | | $C_L = 50\text{pF}$ | 4.5 | - | - | 12 | - | 15 | - | 18 | ns |
| Input Capacitance | C_{IN} | $C_L = 50\text{pF}$ | - | 10 | - | 10 | - | 10 | - | 10 | pF |
| Three-State Output Capacitance | C_O | - | - | 20 | - | 20 | - | 20 | - | 20 | pF |
| Power Dissipation Capacitance (Notes 3, 4) | C_{PD} | $C_L = 15\text{pF}$ | 5 | - | 170 | - | - | - | - | - | pF |

NOTES:

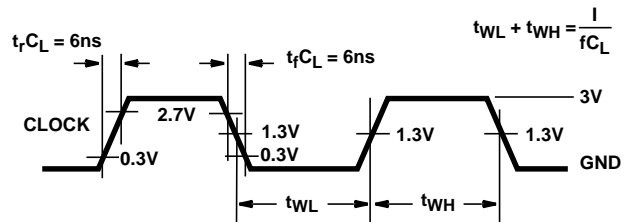
- C_{PD} is used to determine the dynamic power consumption, per register.
- $P_D = C_{PD} V_{CC}^2 f_i + \sum (C_L V_{CC}^2 f_O)$ where f_i = Input Frequency, f_O = Output Frequency, C_L = Output Load Capacitance, V_{CC} = Supply Voltage.

Test Circuits and Waveforms



NOTE: Outputs should be switching from 10% V_{CC} to 90% V_{CC} in accordance with device truth table. For f_{MAX} , input duty cycle = 50%.

FIGURE 1. HC CLOCK PULSE RISE AND FALL TIMES AND PULSE WIDTH



NOTE: Outputs should be switching from 10% V_{CC} to 90% V_{CC} in accordance with device truth table. For f_{MAX} , input duty cycle = 50%.

FIGURE 2. HCT CLOCK PULSE RISE AND FALL TIMES AND PULSE WIDTH

Test Circuits and Waveforms (Continued)

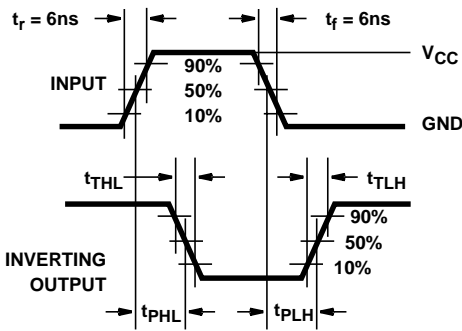


FIGURE 3. HC TRANSITION TIMES AND PROPAGATION DELAY TIMES, COMBINATION LOGIC

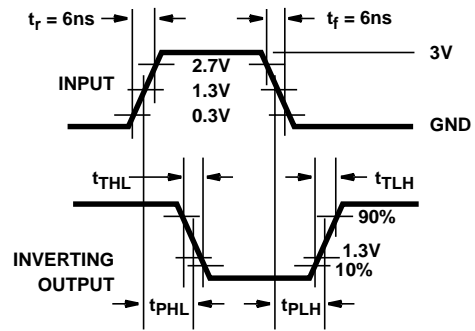


FIGURE 4. HCT TRANSITION TIMES AND PROPAGATION DELAY TIMES, COMBINATION LOGIC

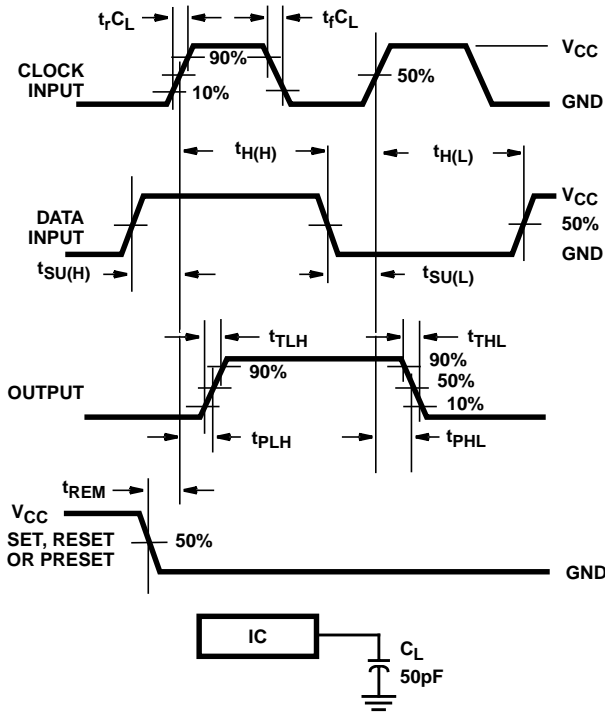


FIGURE 5. HC SETUP TIMES, HOLD TIMES, REMOVAL TIME, AND PROPAGATION DELAY TIMES FOR EDGE TRIGGERED SEQUENTIAL LOGIC CIRCUITS

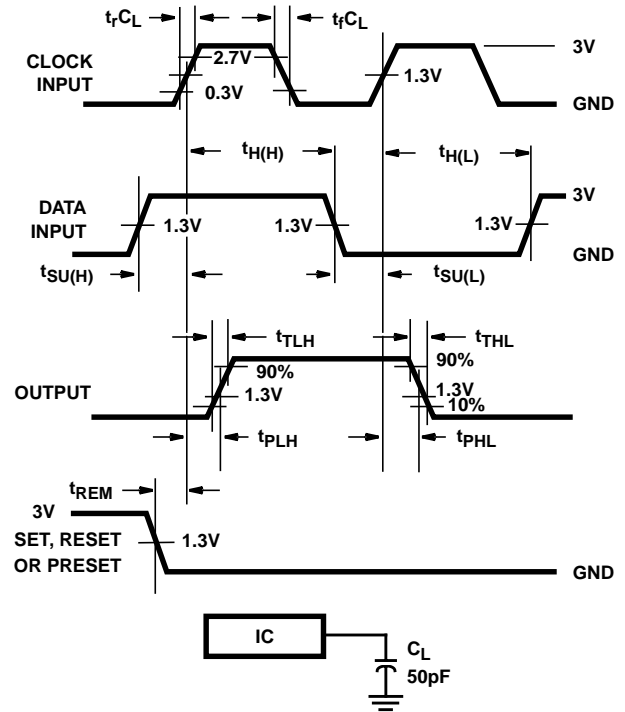


FIGURE 6. HCT SETUP TIMES, HOLD TIMES, REMOVAL TIME, AND PROPAGATION DELAY TIMES FOR EDGE TRIGGERED SEQUENTIAL LOGIC CIRCUITS

Test Circuits and Waveforms (Continued)

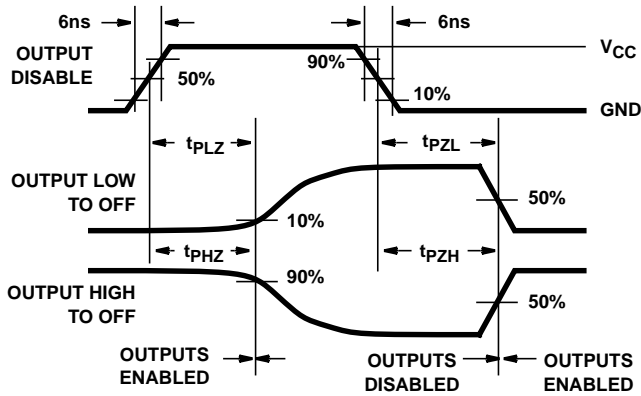


FIGURE 7. HC THREE-STATE PROPAGATION DELAY WAVEFORM

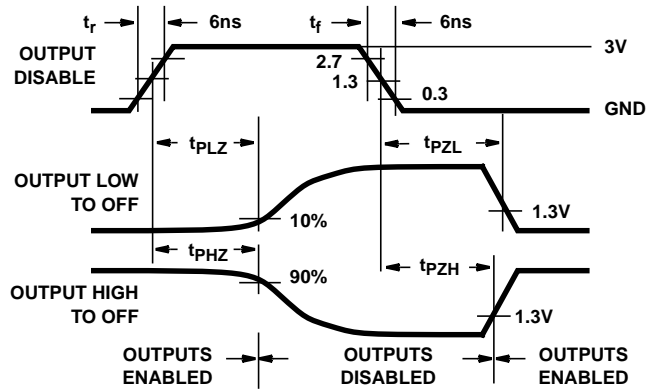
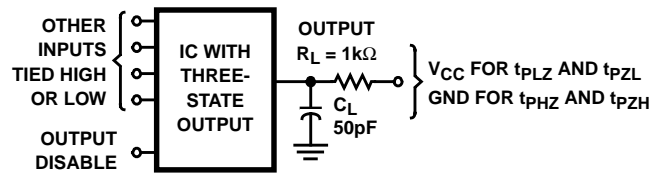


FIGURE 8. HCT THREE-STATE PROPAGATION DELAY WAVEFORM



NOTE: Open drain waveforms t_{PLZ} and t_{PZH} are the same as those for three-state shown on the left. The test circuit is Output $R_L = 1k\Omega$ to V_{CC} , $C_L = 50pF$.

FIGURE 9. HC AND HCT THREE-STATE PROPAGATION DELAY TEST CIRCUIT

PACKAGING INFORMATION

| Orderable Device | Status (1) | Package Type | Package Drawing | Pins | Package Qty | Eco Plan (2) | Lead finish/ Ball material (6) | MSL Peak Temp (3) | Op Temp (°C) | Device Marking (4/5) | Samples |
|------------------|---------------|--------------|-----------------|------|-------------|------------------|--------------------------------------|----------------------|--------------|--------------------------------------|-------------------------|
| 5962-8780601RA | ACTIVE | CDIP | J | 20 | 1 | Non-RoHS & Green | SNPB | N / A for Pkg Type | -55 to 125 | 5962-8780601RA CD54HC299F3A | Samples |
| 5962-8943601MRA | ACTIVE | CDIP | J | 20 | 1 | Non-RoHS & Green | SNPB | N / A for Pkg Type | -55 to 125 | 5962-8943601MR A CD54HCT299F3A | Samples |
| CD54HC299F | ACTIVE | CDIP | J | 20 | 1 | Non-RoHS & Green | SNPB | N / A for Pkg Type | -55 to 125 | CD54HC299F | Samples |
| CD54HC299F3A | ACTIVE | CDIP | J | 20 | 1 | Non-RoHS & Green | SNPB | N / A for Pkg Type | -55 to 125 | 5962-8780601RA CD54HC299F3A | Samples |
| CD54HCT299F3A | ACTIVE | CDIP | J | 20 | 1 | Non-RoHS & Green | SNPB | N / A for Pkg Type | -55 to 125 | 5962-8943601MR A CD54HCT299F3A | Samples |
| CD74HC299E | ACTIVE | PDIP | N | 20 | 20 | RoHS & Non-Green | NIPDAU | N / A for Pkg Type | -55 to 125 | CD74HC299E | Samples |
| CD74HC299M | ACTIVE | SOIC | DW | 20 | 25 | RoHS & Green | NIPDAU | Level-1-260C-UNLIM | -55 to 125 | HC299M | Samples |
| CD74HC299M96 | ACTIVE | SOIC | DW | 20 | 2000 | RoHS & Green | NIPDAU | Level-1-260C-UNLIM | -55 to 125 | HC299M | Samples |
| CD74HC299M96E4 | ACTIVE | SOIC | DW | 20 | 2000 | RoHS & Green | NIPDAU | Level-1-260C-UNLIM | -55 to 125 | HC299M | Samples |
| CD74HCT299E | ACTIVE | PDIP | N | 20 | 20 | RoHS & Non-Green | NIPDAU | N / A for Pkg Type | -55 to 125 | CD74HCT299E | Samples |
| CD74HCT299M | ACTIVE | SOIC | DW | 20 | 25 | RoHS & Green | NIPDAU | Level-1-260C-UNLIM | -55 to 125 | HCT299M | Samples |
| CD74HCT299M96 | ACTIVE | SOIC | DW | 20 | 2000 | RoHS & Green | NIPDAU | Level-1-260C-UNLIM | -55 to 125 | HCT299M | Samples |

(1) The marketing status values are defined as follows:

ACTIVE: Product device recommended for new designs.

LIFEBUY: TI has announced that the device will be discontinued, and a lifetime-buy period is in effect.

NRND: Not recommended for new designs. Device is in production to support existing customers, but TI does not recommend using this part in a new design.

PREVIEW: Device has been announced but is not in production. Samples may or may not be available.

OBSELETE: TI has discontinued the production of the device.

(2) **RoHS:** TI defines "RoHS" to mean semiconductor products that are compliant with the current EU RoHS requirements for all 10 RoHS substances, including the requirement that RoHS substance do not exceed 0.1% by weight in homogeneous materials. Where designed to be soldered at high temperatures, "RoHS" products are suitable for use in specified lead-free processes. TI may reference these types of products as "Pb-Free".

RoHS Exempt: TI defines "RoHS Exempt" to mean products that contain lead but are compliant with EU RoHS pursuant to a specific EU RoHS exemption.

Green: TI defines "Green" to mean the content of Chlorine (Cl) and Bromine (Br) based flame retardants meet JS709B low halogen requirements of ≤ 1000 ppm threshold. Antimony trioxide based flame retardants must also meet the ≤ 1000 ppm threshold requirement.

(3) MSL, Peak Temp. - The Moisture Sensitivity Level rating according to the JEDEC industry standard classifications, and peak solder temperature.

(4) There may be additional marking, which relates to the logo, the lot trace code information, or the environmental category on the device.

(5) Multiple Device Markings will be inside parentheses. Only one Device Marking contained in parentheses and separated by a "~" will appear on a device. If a line is indented then it is a continuation of the previous line and the two combined represent the entire Device Marking for that device.

(6) Lead finish/Ball material - Orderable Devices may have multiple material finish options. Finish options are separated by a vertical ruled line. Lead finish/Ball material values may wrap to two lines if the finish value exceeds the maximum column width.

Important Information and Disclaimer: The information provided on this page represents TI's knowledge and belief as of the date that it is provided. TI bases its knowledge and belief on information provided by third parties, and makes no representation or warranty as to the accuracy of such information. Efforts are underway to better integrate information from third parties. TI has taken and continues to take reasonable steps to provide representative and accurate information but may not have conducted destructive testing or chemical analysis on incoming materials and chemicals. TI and TI suppliers consider certain information to be proprietary, and thus CAS numbers and other limited information may not be available for release.

In no event shall TI's liability arising out of such information exceed the total purchase price of the TI part(s) at issue in this document sold by TI to Customer on an annual basis.

OTHER QUALIFIED VERSIONS OF CD54HC299, CD54HCT299, CD74HC299, CD74HCT299 :

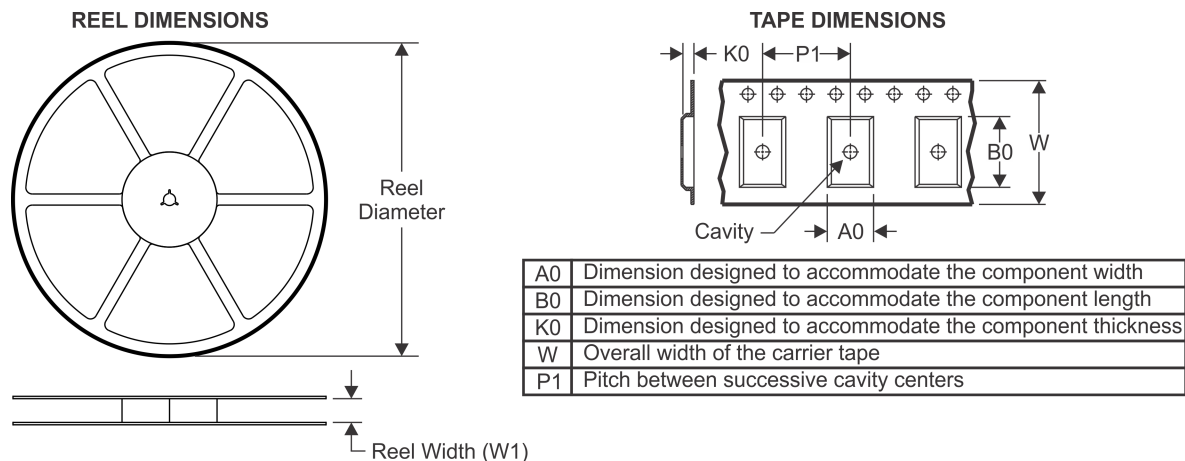
● Catalog : [CD74HC299](#), [CD74HCT299](#)

● Military : [CD54HC299](#), [CD54HCT299](#)

NOTE: Qualified Version Definitions:

● Catalog - TI's standard catalog product

● Military - QML certified for Military and Defense Applications

TAPE AND REEL INFORMATION

QUADRANT ASSIGNMENTS FOR PIN 1 ORIENTATION IN TAPE

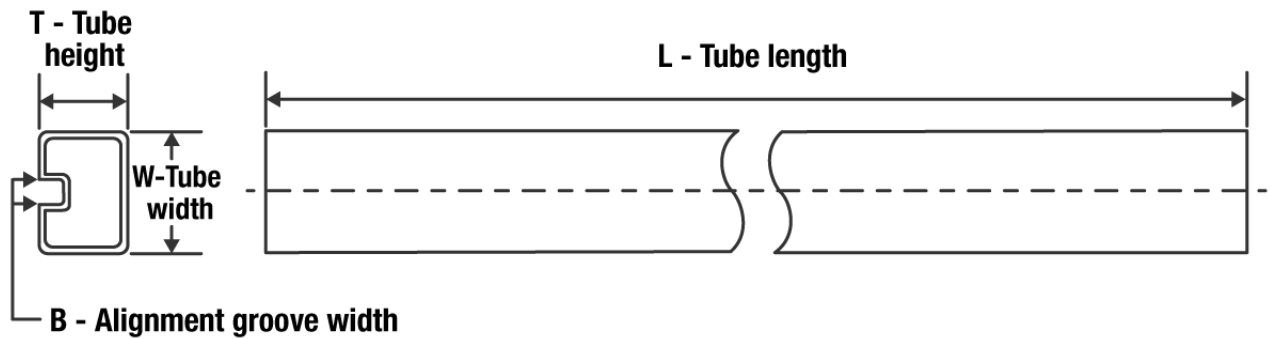

*All dimensions are nominal

| Device | Package Type | Package Drawing | Pins | SPQ | Reel Diameter (mm) | Reel Width W1 (mm) | A0 (mm) | B0 (mm) | K0 (mm) | P1 (mm) | W (mm) | Pin1 Quadrant |
|---------------|--------------|-----------------|------|------|--------------------|--------------------|---------|---------|---------|---------|--------|---------------|
| CD74HC299M96 | SOIC | DW | 20 | 2000 | 330.0 | 24.4 | 10.8 | 13.3 | 2.7 | 12.0 | 24.0 | Q1 |
| CD74HCT299M96 | SOIC | DW | 20 | 2000 | 330.0 | 24.4 | 10.8 | 13.3 | 2.7 | 12.0 | 24.0 | Q1 |

TAPE AND REEL BOX DIMENSIONS


*All dimensions are nominal

| Device | Package Type | Package Drawing | Pins | SPQ | Length (mm) | Width (mm) | Height (mm) |
|---------------|--------------|-----------------|------|------|-------------|------------|-------------|
| CD74HC299M96 | SOIC | DW | 20 | 2000 | 367.0 | 367.0 | 45.0 |
| CD74HCT299M96 | SOIC | DW | 20 | 2000 | 367.0 | 367.0 | 45.0 |

TUBE


*All dimensions are nominal

| Device | Package Name | Package Type | Pins | SPQ | L (mm) | W (mm) | T (μm) | B (mm) |
|-------------|--------------|--------------|------|-----|--------|--------|--------|--------|
| CD74HC299E | N | PDIP | 20 | 20 | 506 | 13.97 | 11230 | 4.32 |
| CD74HC299M | DW | SOIC | 20 | 25 | 507 | 12.83 | 5080 | 6.6 |
| CD74HCT299E | N | PDIP | 20 | 20 | 506 | 13.97 | 11230 | 4.32 |
| CD74HCT299M | DW | SOIC | 20 | 25 | 507 | 12.83 | 5080 | 6.6 |

J (R-GDIP-T**)

14 LEADS SHOWN

CERAMIC DUAL IN-LINE PACKAGE



| DIM \ PINS ** | 14 | 16 | 18 | 20 |
|---------------|------------------------|------------------------|------------------------|------------------------|
| A | 0.300 (7,62) BSC | 0.300 (7,62) BSC | 0.300 (7,62) BSC | 0.300 (7,62) BSC |
| B MAX | 0.785 (19,94) | .840 (21,34) | 0.960 (24,38) | 1.060 (26,92) |
| B MIN | — | — | — | — |
| C MAX | 0.300 (7,62) | 0.300 (7,62) | 0.310 (7,87) | 0.300 (7,62) |
| C MIN | 0.245 (6,22) | 0.245 (6,22) | 0.220 (5,59) | 0.245 (6,22) |



4040083/F 03/03

- NOTES:
- All linear dimensions are in inches (millimeters).
 - This drawing is subject to change without notice.
 - This package is hermetically sealed with a ceramic lid using glass frit.
 - Index point is provided on cap for terminal identification only on press ceramic glass frit seal only.
 - Falls within MIL STD 1835 GDIP1-T14, GDIP1-T16, GDIP1-T18 and GDIP1-T20.

N (R-PDIP-T**)

PLASTIC DUAL-IN-LINE PACKAGE

16 PINS SHOWN



- NOTES:
- A. All linear dimensions are in inches (millimeters).
 - B. This drawing is subject to change without notice.
 - Falls within JEDEC MS-001, except 18 and 20 pin minimum body length (Dim A).
 - The 20 pin end lead shoulder width is a vendor option, either half or full width.

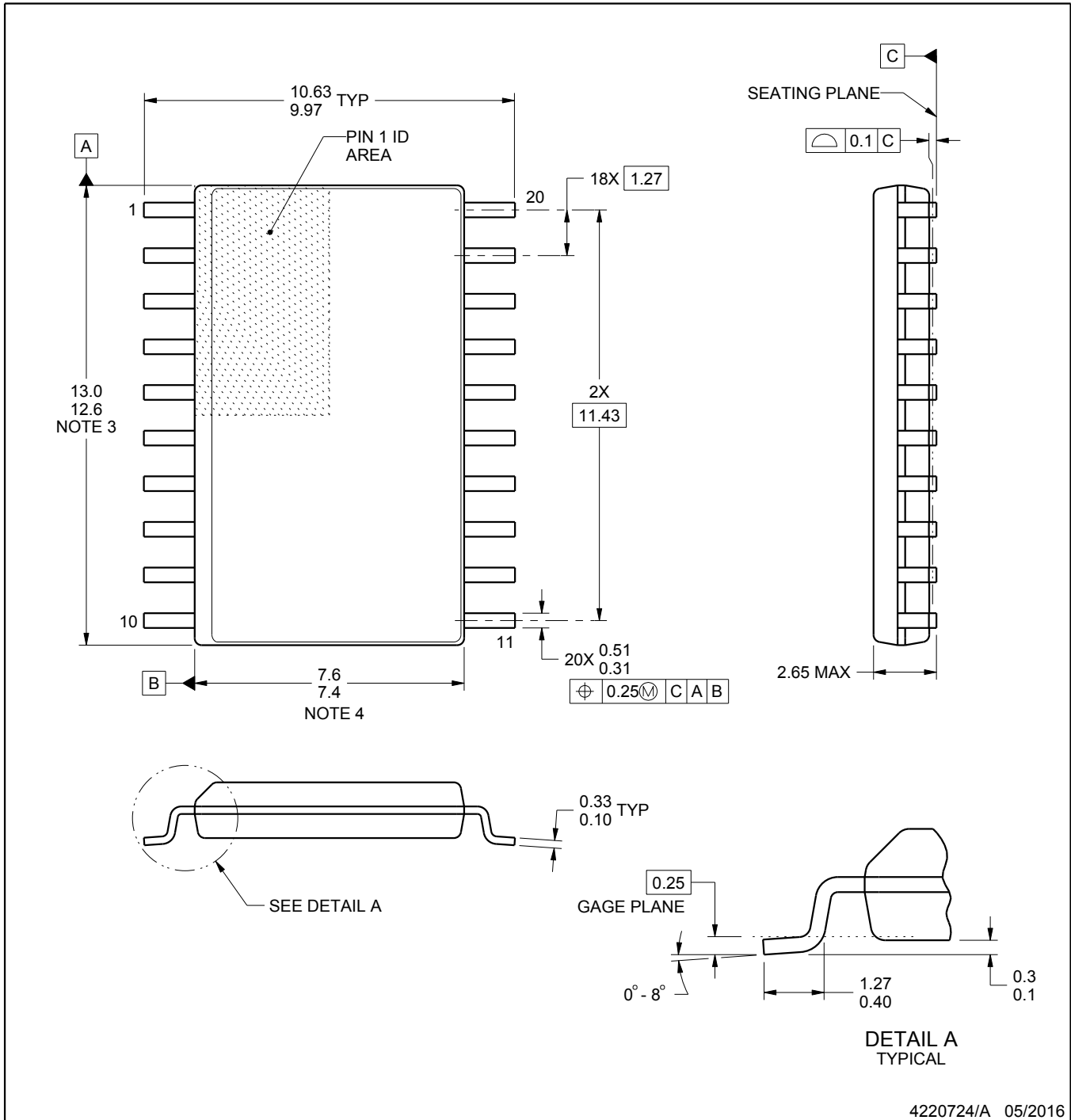
DW0020A



PACKAGE OUTLINE

SOIC - 2.65 mm max height

SOIC



4220724/A 05/2016

NOTES:

1. All linear dimensions are in millimeters. Dimensions in parenthesis are for reference only. Dimensioning and tolerancing per ASME Y14.5M.
2. This drawing is subject to change without notice.
3. This dimension does not include mold flash, protrusions, or gate burrs. Mold flash, protrusions, or gate burrs shall not exceed 0.15 mm per side.
4. This dimension does not include interlead flash. Interlead flash shall not exceed 0.43 mm per side.
5. Reference JEDEC registration MS-013.

EXAMPLE BOARD LAYOUT

DW0020A

SOIC - 2.65 mm max height

SOIC



LAND PATTERN EXAMPLE
SCALE:6X



SOLDER MASK DETAILS

4220724/A 05/2016

NOTES: (continued)

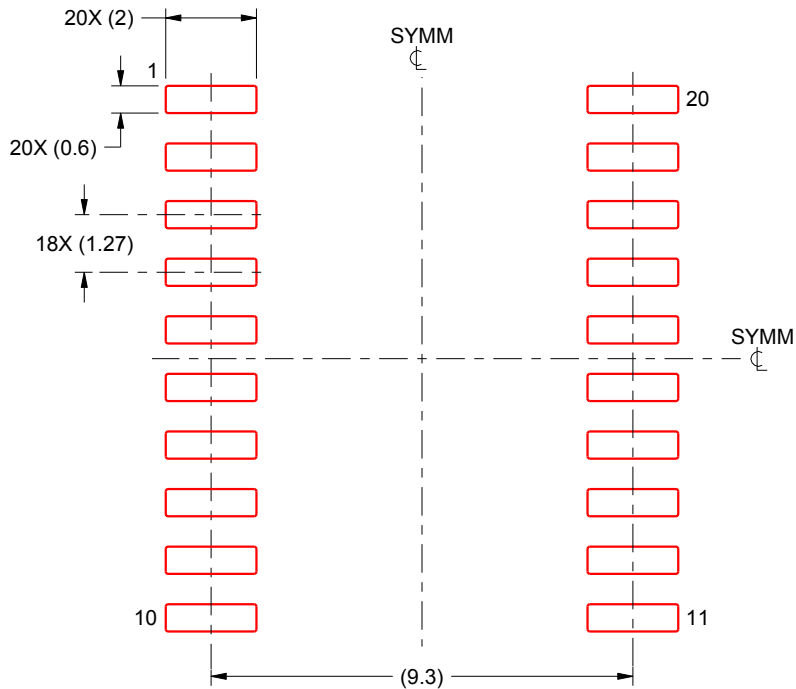
- 6. Publication IPC-7351 may have alternate designs.
- 7. Solder mask tolerances between and around signal pads can vary based on board fabrication site.

EXAMPLE STENCIL DESIGN

DW0020A

SOIC - 2.65 mm max height

SOIC



SOLDER PASTE EXAMPLE
BASED ON 0.125 mm THICK STENCIL
SCALE:6X

4220724/A 05/2016

NOTES: (continued)

8. Laser cutting apertures with trapezoidal walls and rounded corners may offer better paste release. IPC-7525 may have alternate design recommendations.
9. Board assembly site may have different recommendations for stencil design.

IMPORTANT NOTICE AND DISCLAIMER

TI PROVIDES TECHNICAL AND RELIABILITY DATA (INCLUDING DATA SHEETS), DESIGN RESOURCES (INCLUDING REFERENCE DESIGNS), APPLICATION OR OTHER DESIGN ADVICE, WEB TOOLS, SAFETY INFORMATION, AND OTHER RESOURCES "AS IS" AND WITH ALL FAULTS, AND DISCLAIMS ALL WARRANTIES, EXPRESS AND IMPLIED, INCLUDING WITHOUT LIMITATION ANY IMPLIED WARRANTIES OF MERCHANTABILITY, FITNESS FOR A PARTICULAR PURPOSE OR NON-INFRINGEMENT OF THIRD PARTY INTELLECTUAL PROPERTY RIGHTS.

These resources are intended for skilled developers designing with TI products. You are solely responsible for (1) selecting the appropriate TI products for your application, (2) designing, validating and testing your application, and (3) ensuring your application meets applicable standards, and any other safety, security, regulatory or other requirements.

These resources are subject to change without notice. TI grants you permission to use these resources only for development of an application that uses the TI products described in the resource. Other reproduction and display of these resources is prohibited. No license is granted to any other TI intellectual property right or to any third party intellectual property right. TI disclaims responsibility for, and you will fully indemnify TI and its representatives against, any claims, damages, costs, losses, and liabilities arising out of your use of these resources.

TI's products are provided subject to [TI's Terms of Sale](#) or other applicable terms available either on ti.com or provided in conjunction with such TI products. TI's provision of these resources does not expand or otherwise alter TI's applicable warranties or warranty disclaimers for TI products.

TI objects to and rejects any additional or different terms you may have proposed.

Mailing Address: Texas Instruments, Post Office Box 655303, Dallas, Texas 75265
Copyright © 2022, Texas Instruments Incorporated