

TS5A22362 具有负信号功能的 0.65Ω 双通道 SPDT 模拟开关

1 特性

- 指定的先断后合开关
- 负信号处理功能：最大摆幅为从 -2.75V 至 2.75V ($V_{CC} = 2.75\text{V}$)
- 低导通电阻（典型值 0.65Ω ）
- 低电荷注入
- 出色的导通状态电阻匹配
- 2.3V 至 5.5V 电源 (V_{CC})
- 闩锁性能超过 100mA，符合 JESD 78 II 类规范
- 静电放电 (ESD) 性能测试符合 JESD 22 标准
 - 2500V 人体放电模式 (A114-B, II 类)
 - 1500V 充电器件模型 (C101)
 - 200V 机器模型 (A115-A)

2 应用

- [手机](#)
- [个人数字助理 \(PDA\)](#)
- [便携式仪表](#)
- [音频路由](#)
- [医疗成像](#)

3 说明

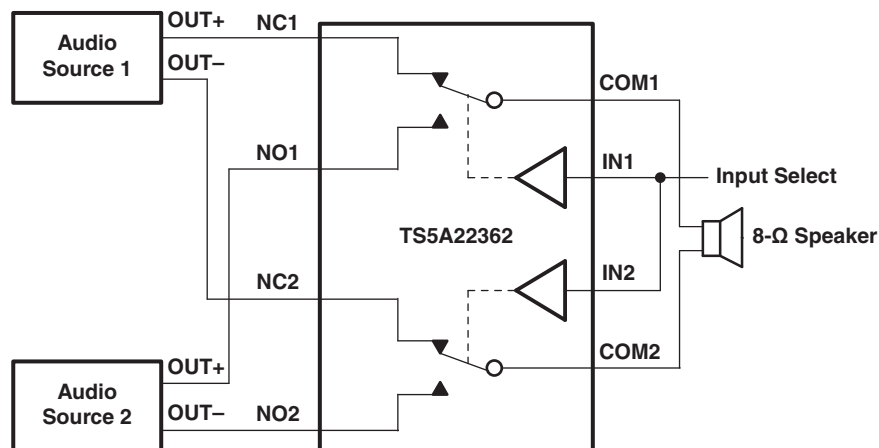
TS5A22362 是一款双向、双通道单刀双掷 (SPDT) 模拟开关，工作电压范围为 2.3V 至 5.5V。该器件支持负信号摆幅，允许低于接地电平的信号通过开关，同时不发生失真。先断后合特性可防止信号在跨路径传输时出现失真。该器件同时拥有低导通电阻、出色的通道间导通状态电阻匹配以及最小总谐波失真 (THD) 性能，是音频应用的理想选择。该器件还针对医疗成像应用提供了一种非磁性封装，即 $3.00\text{mm} \times 3.00\text{mm}$ DRC 封装。

器件信息⁽¹⁾

器件型号	封装	封装尺寸 (标称值)
TS5A22362	VSON (10)	$3.00\text{mm} \times 3.00\text{mm}$
	DSBGA (10)	$1.86\text{mm} \times 1.36\text{mm}$
	VSSOP (10)	$3.00\text{mm} \times 3.00\text{mm}$

(1) 如需了解所有可用封装，请参阅数据表末尾的可订购产品附录。

典型应用原理图



目录

1 特性	1	8.2 Functional Block Diagram	15
2 应用	1	8.3 Feature Description	15
3 说明	1	8.4 Device Functional Modes	15
4 修订历史记录	2	9 Application and Implementation	16
5 Pin Configuration and Functions	3	9.1 Application Information	16
6 Specifications	4	9.2 Typical Application	16
6.1 Absolute Maximum Ratings	4	10 Power Supply Recommendations	18
6.2 ESD Ratings	4	11 Layout	18
6.3 Recommended Operating Conditions	4	11.1 Layout Guidelines	18
6.4 Thermal Information	5	11.2 Layout Example	18
6.5 Electrical Characteristics for 2.5-V Supply	5	12 器件和文档支持	19
6.6 Electrical Characteristics for 3.3-V Supply	6	12.1 接收文档更新通知	19
6.7 Electrical Characteristics for 5-V Supply	7	12.2 社区资源	19
6.8 Typical Characteristics	9	12.3 商标	19
7 Parameter Measurement Information	11	12.4 静电放电警告	19
8 Detailed Description	15	12.5 Glossary	19
8.1 Overview	15	13 机械、封装和可订购信息	19

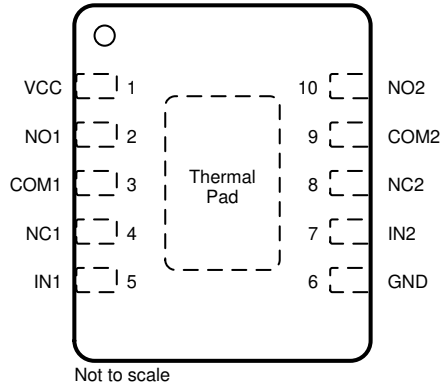
4 修订历史记录

注：之前版本的页码可能与当前版本有所不同。

Changes from Revision D (March 2018) to Revision E	Page
• Changed the YZP Package view From: Top View To: Bottom View	3
Changes from Revision C (June 2017) to Revision D	Page
• Changed the YZP Package From: Laser Marketing View and Bump View To: Top View	3
• Changed the Q_C TYP value From: 10 pC To: 150 pC in the <i>Electrical Characteristics for 5-V Supply</i> table	8
Changes from Revision B (September 2015) to Revision C	Page
• Changed the $V_{IN\ MAX}$ value From: V_{CC} To: 5.5 V in the <i>Recommended Operating Conditions</i> table	4
Changes from Revision A (August 2015) to Revision B	Page
• Changed C_L TEST CONDITION value for all THD PARAMETERS from 15 pf to 35 pf.	6
Changes from Original (June 2015) to Revision A	Page
• Changed the Functional Block Diagram	15

5 Pin Configuration and Functions

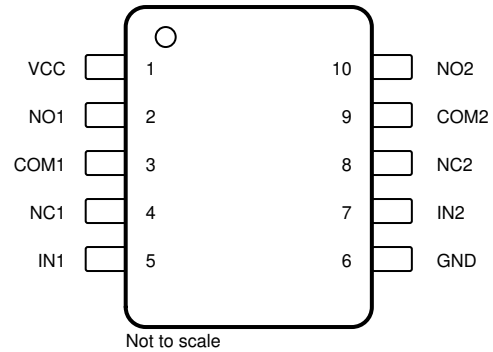
**DRC Package
10-Pin VSON
Top View**



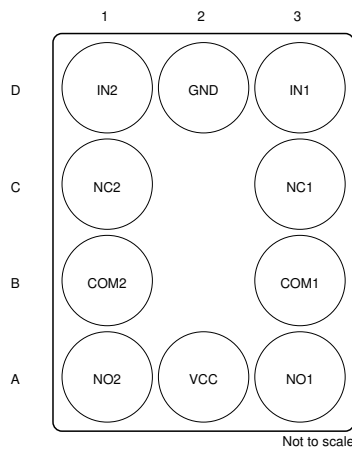
The exposed center pad, if used, must be

connected as a secondary GND or left electrically open.

**DGS Package
10-Pin VSSOP
Top View**



**YZP Package
10-Pin DSBGA
Bottom View**



Pin Functions

NAME	PIN			TYPE	DESCRIPTION
	VSON	VSSOP	DSBGA		
VCC	1	1	A2	—	Power Supply
NO1	2	2	A3	I/O	Normally Open (NO) signal path, Switch 1
COM1	3	3	B3	I/O	Common signal path, Switch 1
NC1	4	4	C3	I/O	Normally Closed (NC) signal path, Switch 1
IN1	5	5	D3	I	Digital control pin , Switch 1
GND	6	6	D2	—	Ground
IN2	7	7	D1	I	Digital control pin, Switch 2
NC2	8	8	C1	I/O	Normally Closed (NC) signal path, Switch 2
COM2	9	9	B1	I/O	Common signal path, Switch 2
NO2	10	10	A1	I/O	Normally Open (NO) signal Path, Switch 2

6 Specifications

6.1 Absolute Maximum Ratings

over operating free-air temperature range (unless otherwise noted) ⁽¹⁾

		MIN	MAX	UNIT
V_{CC} ⁽²⁾	Supply voltage ⁽³⁾	-0.5	6	V
V_{NC} V_{NO} V_{COM}	Analog voltage ⁽³⁾ ⁽⁴⁾ ⁽⁵⁾	$V_{CC} - 6$	$V_{CC} + 0.5$	V
$I_{I/OK}$	Analog port diode current $V_{NC}, V_{NO}, V_{COM} < 0$ or $V_{NC}, V_{NO}, V_{COM} > V_{CC}$	-50	50	mA
I_{NC} I_{NO} I_{COM}	ON-state switch current ON-state peak switch current ⁽⁶⁾	$V_{NC}, V_{NO}, V_{COM} = 0$ to V_{CC}		mA
I_{NC} ⁽³⁾ ⁽⁷⁾ ⁽⁸⁾ I_{NO} ⁽³⁾ ⁽⁷⁾ ⁽⁸⁾ I_{COM} ⁽³⁾ ⁽⁷⁾ ⁽⁸⁾	ON-state switch current ON-state peak switch current ⁽⁶⁾	$V_{NC}, V_{NO}, V_{COM} = 0$ to V_{CC}		mA
V_I	Digital input voltage	-0.5	6.5	V
I_{IK}	Digital input clamp current ⁽³⁾ ⁽⁴⁾ $V_I < 0$	-50	50	mA
I_{CC} I_{GND}	Continuous current through V_{CC} or GND	-100	100	mA
T_{stg}	Storage temperature	-65	150	°C

- (1) Stresses beyond those listed under *Absolute Maximum Ratings* may cause permanent damage to the device. These are stress ratings only, which do not imply functional operation of the device at these or any other conditions beyond those indicated under *Recommended Operating Conditions*. Exposure to absolute-maximum-rated conditions for extended periods may affect device reliability.
- (2) The algebraic convention, whereby the most negative value is a minimum and the most positive value is a maximum
- (3) All voltages are with respect to ground, unless otherwise specified.
- (4) The input and output voltage ratings may be exceeded if the input and output clamp-current ratings are observed.
- (5) This value is limited to 5.5 V maximum.
- (6) Pulse at 1-ms duration < 10% duty cycle.
- (7) $V_{CC} = 3.0$ V to 5.0 V, $T_A = -40$ °C to 85°C.
- (8) For YZP package only.

6.2 ESD Ratings

		VALUE	UNIT
$V_{(ESD)}$ Electrostatic discharge	Human-body model (HBM), per ANSI/ESDA/JEDEC JS-001 ⁽¹⁾	±2500	V
	Charged-device model (CDM), per JEDEC specification JESD22-C101 ⁽²⁾	±1500	

- (1) JEDEC document JEP155 states that 500-V HBM allows safe manufacturing with a standard ESD control process.
- (2) JEDEC document JEP157 states that 250-V CDM allows safe manufacturing with a standard ESD control process.

6.3 Recommended Operating Conditions

over operating free-air temperature range (unless otherwise noted)

		MIN	MAX	UNIT
V_{CC}	Supply voltage	2.3	5.5	V
V_{NC} V_{NO} V_{COM}	Signal path voltage	$V_{CC} - 5.5$	V_{CC}	V
V_{IN}	Digital control	GND	5.5	V

6.4 Thermal Information

THERMAL METRIC ⁽¹⁾		TS5A22362			UNIT
		DGS (VSSOP)	DRC (VSON)	YZP (DSBGA)	
		10 PINS	10 PINS	10 PINS	
R _{θJA}	Junction-to-ambient thermal resistance	163.3	44.3	90.9	°C/W
R _{θJC(top)}	Junction-to-case (top) thermal resistance	56.4	70.1	0.3	°C/W
R _{θJB}	Junction-to-board thermal resistance	83.1	19.3	8.3	°C/W
ψ _{JT}	Junction-to-top characterization parameter	6.8	2.0	3.2	°C/W
ψ _{JB}	Junction-to-board characterization parameter	81.8	19.4	8.3	°C/W

(1) For more information about traditional and new thermal metrics, see the [Semiconductor and IC Package Thermal Metrics](#) application report.

6.5 Electrical Characteristics for 2.5-V Supply

V_{CC} = 2.3 V to 2.7 V, T_A = –40°C to 85°C (unless otherwise noted) ⁽¹⁾

PARAMETER		TEST CONDITIONS		T _A	V _{CC}	MIN	TYP	MAX	UNIT
Analog Switch									
V _{COM} , V _{NO} , V _{NC}	Analog signal range					V _{CC} – 5.5		V _{CC}	V
R _{on}	ON-state resistance	V _{NC} or V _{NO} = V _{CC} , 1.5 V, V _{CC} – 5.5 V I _{COM} = –100 mA,	COM to NO or NC, see Figure 13	25°C Full	2.7 V	0.65	0.94	1.3	Ω
ΔR _{on}	ON-state resistance match between channels	V _{NC} or V _{NO} = 1.5 V, I _{COM} = –100 mA,	COM to NO or NC, see Figure 13	25°C Full	2.7 V	0.023	0.11	0.15	Ω
R _{on(flat)}	ON-state resistance flatness	V _{NC} or V _{NO} = V _{CC} , 1.5 V, V _{CC} – 5.5 V I _{COM} = –100 mA,	COM to NO or NC, see Figure 13	25°C Full	2.7 V	0.18	0.46	0.5	Ω
I _{NC(OFF)} , I _{NO(OFF)}	NC, NO OFF leakage current	V _{NC} = 2.25 V, V _{CC} – 5.5 V V _{COM} = V _{CC} – 5.5 V, 2.25 V V _{NO} = Open COM to NO or V _{NO} = 2.25 V, V _{CC} – 5.5 V, V _{COM} = V _{CC} – 5.5 V, 2.25 V V _{NC} = Open COM to NC	See Figure 14	25°C Full	2.7 V	–50		50	nA
I _{COM(ON)}	COM ON leakage current	V _{NC} and V _{NO} = Floating, V _{COM} = V _{CC} , V _{CC} – 5.5 V	See Figure 15	25°C Full	2.7 V	–50		50	nA
Digital Control Inputs (IN) ⁽²⁾									
V _{IH}	Input logic high			Full		1.4		5.5	V
V _{IL}	Input logic low							0.6	
I _{IH} , I _{IL}	Input leakage current	V _{IN} = V _{CC} or 0		25°C Full	2.7 V	–250		250	nA
Dynamic									
t _{ON}	Turnon time	V _{COM} = V _{CC} , R _L = 300 Ω,	C _L = 35 pF, see Figure 17	25°C Full	2.5 V 2.3 V to 2.7 V		44	80	ns
t _{OFF}	Turnoff time	V _{COM} = V _{CC} , R _L = 300 Ω,	C _L = 35 pF, see Figure 17	25°C Full	2.5 V 2.3 V to 2.7 V		22	70	ns
t _{BBM}	Break-before-make time	See Figure 18		25°C	2.5 V	1	7		ns
Q _C	Charge injection	V _{GEN} = 0, R _{GEN} = 0,	C _L = 1 nF, see Figure 22	25°C	2.5 V		150		pC
C _{NC(OFF)} , C _{NO(OFF)}	NC, NO OFF capacitance	V _{NC} or V _{NO} = V _{CC} or GND,	See Figure 16	25°C	2.5 V		70		pF

(1) The algebraic convention, whereby the most negative value is a minimum and the most positive value is a maximum

(2) All unused digital inputs of the device must be held at V_{CC} or GND to ensure proper device operation. Refer to the TI application report, [Implications of Slow or Floating CMOS Inputs, SCBA004](#).

Electrical Characteristics for 2.5-V Supply (continued)

 $V_{CC} = 2.3 \text{ V to } 2.7 \text{ V}$, $T_A = -40^\circ\text{C to } 85^\circ\text{C}$ (unless otherwise noted) ⁽¹⁾

PARAMETER	TEST CONDITIONS	T_A	V_{CC}	MIN	TYP	MAX	UNIT
$C_{COM(ON)}$	NC, NO, COM ON capacitance $V_{COM} = V_{CC}$ or GND, Switch ON, $f = 10 \text{ MHz}$	See Figure 16	25°C	2.5 V	370		pF
C_i	Digital input capacitance $V_i = V_{CC}$ or GND	See Figure 16	25°C	2.5 V	2.6		pF
BW	Bandwidth $R_L = 50 \Omega$, -3 dB	See Figure 18	25°C	2.5 V	17		MHz
O_{ISO}	OFF isolation $R_L = 50 \Omega$	$f = 100 \text{ kHz}$, see Figure 20	25°C	2.5 V	-66		dB
X_{TALK}	Crosstalk $R_L = 50 \Omega$	$f = 100 \text{ kHz}$, see Figure 21	25°C	2.5 V	-75		dB
THD	Total harmonic distortion $R_L = 600 \Omega$, $C_L = 35 \text{ pF}$	$f = 20 \text{ Hz to } 20 \text{ kHz}$, see Figure 23	25°C	2.5 V	0.01%		
Supply							
I_{CC}	Positive supply current V_{COM} and $V_{IN} = V_{CC}$ or GND, V_{NC} and $V_{NO} = \text{Floating}$	25°C	2.7 V	0.2	1.1		μA
		Full		1.3			
I_{CC}	Positive supply current $V_{COM} = V_{CC} - 5.5 \text{ V}$, $V_{IN} = V_{CC}$ or GND, V_{NC} and $V_{NO} = \text{Floating}$	Full	2.7 V			3.3	μA

6.6 Electrical Characteristics for 3.3-V Supply

 $V_{CC} = 3 \text{ V to } 3.6 \text{ V}$, $T_A = -40^\circ\text{C to } 85^\circ\text{C}$ (unless otherwise noted) ⁽¹⁾

PARAMETER	TEST CONDITIONS	T_A	V_{CC}	MIN	TYP	MAX	UNIT
ANALOG SWITCH							
V_{COM} , V_{NO} , V_{NC}	Analog signal range			$V_{CC} - 5.5$		V_{CC}	V
R_{on}	ON-state resistance V_{NC} or $V_{NO} \leq V_{CC}$, 1.5 V , $V_{CC} - 5.5 \text{ V}$, $I_{COM} = -100 \text{ mA}$	25°C	3 V	0.61	0.87		Ω
		Full		0.97			
ΔR_{on}	ON-state resistance match between channels V_{NC} or $V_{NO} = 1.5 \text{ V}$, $I_{COM} = -100 \text{ mA}$	25°C	3 V	0.024	0.13		Ω
		Full		0.13			
$R_{on(Flat)}$	ON-state resistance flatness V_{NC} or $V_{NO} \leq V_{CC}$, 1.5 V , $V_{CC} - 5.5 \text{ V}$, $I_{COM} = -100 \text{ mA}$	25°C	3 V	0.12	0.46		Ω
		Full		0.5			
$I_{NC(OFF)}$, $I_{NO(OFF)}$	NC, NO OFF leakage current $V_{NC} = 3 \text{ V}$, $V_{CC} - 5.5 \text{ V}$ $V_{COM} = V_{CC} - 5.5 \text{ V}$, 3 V $V_{NO} = \text{Open}$ COM to NO or $V_{NO} = 3 \text{ V}$, $V_{CC} - 5.5 \text{ V}$, $V_{COM} = V_{CC} - 5.5 \text{ V}$, 3 V $V_{NC} = \text{Open}$ COM to NC	25°C	3.6 V	-50		50	nA
		Full		-375		375	
$I_{COM(ON)}$	COM ON leakage current V_{NC} and $V_{NO} = \text{Floating}$, $V_{COM} = V_{CC}$, $V_{CC} - 5.5 \text{ V}$	25°C	3.6 V	-50		50	nA
		Full		-375		375	
DIGITAL CONTROL INPUTS (IN) ⁽²⁾							
V_{IH}	Input logic high	Full		1.4		5.5	V
V_{IL}	Input logic low					0.8	
I_{IH} , I_{IL}	Input leakage current $V_{IN} = V_{CC}$ or 0	25°C	3.6 V	-250		250	nA
		Full		-250		250	

(1) The algebraic convention, whereby the most negative value is a minimum and the most positive value is a maximum

(2) All unused digital inputs of the device must be held at V_{CC} or GND to ensure proper device operation. Refer to the TI application report, *Implications of Slow or Floating CMOS Inputs*, literature number [SCBA004](#).

Electrical Characteristics for 3.3-V Supply (continued)

 $V_{CC} = 3\text{ V to }3.6\text{ V}$, $T_A = -40^\circ\text{C to }85^\circ\text{C}$ (unless otherwise noted) ⁽¹⁾

PARAMETER		TEST CONDITIONS		T_A	V_{CC}	MIN	TYP	MAX	UNIT
DYNAMIC									
t_{ON}	Turnon time	$V_{COM} = V_{CC}$, $R_L = 300\ \Omega$	$C_L = 35\text{ pF}$, see Figure 17	25°C	3.3 V		34	80	ns
				Full	3 V to 3.6 V			120	
t_{OFF}	Turnoff time	$V_{COM} = V_{CC}$, $R_L = 300\ \Omega$	$C_L = 35\text{ pF}$, see Figure 17	25°C	3.3 V		19	70	ns
				Full	3 V to 3.6 V			70	
t_{BBM}	Break-before-make time	See Figure 18		25°C	3.3 V	1	7		ns
Q_C	Charge injection	$V_{GEN} = 0$, $R_{GEN} = 0$	$C_L = 1\text{ nF}$, see Figure 22	25°C	3.3 V		150		pC
$C_{NC(OFF)}$, $C_{NO(OFF)}$	NC, NO OFF capacitance	V_{NC} or $V_{NO} = V_{CC}$ or $V_{CC} - 5.5\text{ V}$	See Figure 16	25°C	3.3 V		70		pF
$C_{COM(ON)}$	NC, NO, COM ON capacitance	$V_{COM} = V_{CC}$ or GND, $f = 10\text{ MHz}$	See Figure 16	25°C	3.3 V		370		pF
C_I	Digital input capacitance	$V_I = V_{CC}$ or GND	See Figure 16	25°C	3.3 V		2.6		pF
BW	Bandwidth	$R_L = 50\ \Omega$, -3 dB	Switch ON, see Figure 18	25°C	3.3 V		17.5		MHz
O_{ISO}	OFF isolation	$R_L = 50\ \Omega$	$f = 100\text{ kHz}$, see Figure 20	25°C	3.3 V		-68		dB
X_{TALK}	Crosstalk	$R_L = 50\ \Omega$	$f = 100\text{ kHz}$, see Figure 21	25°C	3.3 V		-76		dB
THD	Total harmonic distortion	$R_L = 600\ \Omega$, $C_L = 35\text{ pF}$	$f = 20\text{ Hz to }20\text{ kHz}$, see Figure 23	25°C	3.3 V		0.008%		
SUPPLY									
I_{CC}	Positive supply current	V_{COM} and $V_{IN} = V_{CC}$ or GND, V_{NC} and $V_{NO} = \text{Floating}$		25°C	3.6 V		0.1	1.2	μA
				Full				1.3	
		$V_{COM} = V_{CC} - 5.5\text{ V}$, $V_{IN} = V_{CC}$ or GND, V_{NC} and $V_{NO} = \text{Floating}$		Full	3.6 V			3.4	μA

6.7 Electrical Characteristics for 5-V Supply

 $V_{CC} = 4.5\text{ V to }5.5\text{ V}$, $T_A = -40^\circ\text{C to }85^\circ\text{C}$ (unless otherwise noted) ⁽¹⁾

PARAMETER		TEST CONDITIONS		T_A	V_{CC}	MIN	TYP	MAX	UNIT
ANALOG SWITCH									
V_{COM} , V_{NO} , V_{NC}	Analog signal range					$V_{CC} - 5.5$		V_{CC}	V
R_{on}	ON-state resistance	V_{NC} or $V_{NO} = V_{CC}$, 1.6 V, $V_{CC} = -5.5\text{ V}$, $I_{COM} = -100\text{ mA}$	COM to NO or NC, see Figure 13	25°C	4.5 V		0.52	0.74	Ω
				Full				0.83	
ΔR_{on}	ON-state resistance match between channels	V_{NC} or $V_{NO} = 1.6\text{ V}$, $I_{COM} = -100\text{ mA}$	COM to NO or NC, see Figure 13	25°C	4.5 V		0.04	0.23	Ω
				Full				0.30	
$R_{on(flat)}$	ON-state resistance flatness	V_{NC} or $V_{NO} = V_{CC}$, 1.6 V, $V_{CC} = -5.5\text{ V}$, $I_{COM} = -100\text{ mA}$	COM to NO or NC, see Figure 13	25°C	4.5 V		0.076	0.46	Ω
				Full				0.5	
$I_{NC(OFF)}$, $I_{NO(OFF)}$	NC, NO OFF leakage current	$V_{NC} = 4.5\text{ V}$, $V_{CC} - 5.5\text{ V}$, $V_{COM} = V_{CC} - 5.5\text{ V}$, 4.5 V, $V_{NO} = \text{Open}$, COM to NO or $V_{NO} = 4.5\text{ V}$, $V_{CC} - 5.5\text{ V}$, $V_{COM} = V_{CC} - 5.5\text{ V}$, 4.5 V, $V_{NC} = \text{Open}$, COM to NC	See Figure 14	25°C	5.5 V		-50	50	nA
				Full				-375	
$I_{COM(ON)}$	COM ON leakage current	V_{NC} and $V_{NO} = \text{Floating}$, $V_{COM} = V_{CC}$, $V_{CC} - 5.5\text{ V}$	See Figure 15	25°C	5.5 V		-50	50	nA
				Full				-375	

(1) The algebraic convention, whereby the most negative value is a minimum and the most positive value is a maximum

Electrical Characteristics for 5-V Supply (continued)
 $V_{CC} = 4.5 \text{ V to } 5.5 \text{ V}$, $T_A = -40^\circ\text{C to } 85^\circ\text{C}$ (unless otherwise noted) ⁽¹⁾

PARAMETER		TEST CONDITIONS		T_A	V_{CC}	MIN	TYP	MAX	UNIT
DIGITAL CONTROL INPUTS (IN) ⁽²⁾									
V_{IH}	Input logic high			Full		2.4		5.5	V
V_{IL}	Input logic low							0.8	
I_{IH}, I_{IL}	Input leakage current	$V_{IN} = V_{CC}$ or 0	$C_L = 35 \text{ pF}$, see Figure 17	25°C	5.5 V	-250		250	nA
				Full		-250	250		
DYNAMIC									
t_{ON}	Turnon time	$V_{COM} = V_{CC}$, $R_L = 300 \Omega$	$C_L = 35 \text{ pF}$, see Figure 17	25°C	5 V		27	80	ns
				Full	4.5 V to 5.5 V			80	
t_{OFF}	Turnoff time	$V_{COM} = V_{CC}$, $R_L = 300 \Omega$	$C_L = 35 \text{ pF}$, see Figure 17	25°C	5 V		13	70	ns
				Full	4.5 V to 5.5 V			70	
t_{BBM}	Break-before-make time	$V_{NC} = V_{NO} = V_{CC}/2$ $R_L = 300 \Omega$	$C_L = 35 \text{ pF}$, see Figure 18	25°C	5 V	1	3.5		ns
Q_C	Charge injection	$V_{GEN} = 0$, $R_{GEN} = 0$	$C_L = 1 \text{ nF}$, see Figure 22	25°C	5 V		150		pC
$C_{NC(OFF)}, C_{NO(OFF)}$	NC, NO OFF capacitance	V_{NC} or $V_{NO} = V_{CC}$ or $V_{CC} - 5.5 \text{ V}$	See Figure 16	25°C	5 V		70		pF
$C_{COM(ON)}$	NC, NO, COM ON capacitance	$V_{COM} = V_{CC}$ or GND,	See Figure 16	25°C	5 V		370		pF
C_I	Digital input capacitance	$V_I = V_{CC}$ or GND	See Figure 16	25°C	5 V		2.6		pF
BW	Bandwidth	$R_L = 50 \Omega$	See Figure 18	25°C	5 V		18.3		MHz
O_{ISO}	OFF isolation	$R_L = 50 \Omega$	$f = 100 \text{ kHz}$, see Figure 20	25°C	5 V		-70		dB
X_{TALK}	Crosstalk	$R_L = 50 \Omega$	$f = 100 \text{ kHz}$, see Figure 21	25°C	5 V		-78		dB
THD	Total harmonic distortion	$R_L = 600 \Omega$, $C_L = 35 \text{ pF}$	$f = 20 \text{ Hz to } 20 \text{ kHz}$, see Figure 23	25°C	5 V		0.009%		
SUPPLY									
I_{CC}	Positive supply current	V_{COM} and $V_{IN} = V_{CC}$ or GND, V_{NC} and $V_{NO} = \text{Floating}$		25°C	5.5 V		0.2	1.3	μA
				Full			3.5		
		$V_{COM} = V_{CC} - 5.5 \text{ V}$, $V_{IN} = V_{CC}$ or GND, V_{NC} and $V_{NO} = \text{Floating}$	Full			5			

(2) All unused digital inputs of the device must be held at V_{CC} or GND to ensure proper device operation. Refer to the TI application report, *Implications of Slow or Floating CMOS Inputs*, [SCBA004](#).

6.8 Typical Characteristics

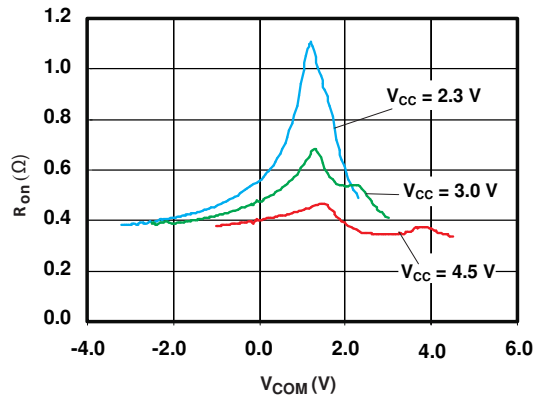


Figure 1. R_{on} vs V_{COM}

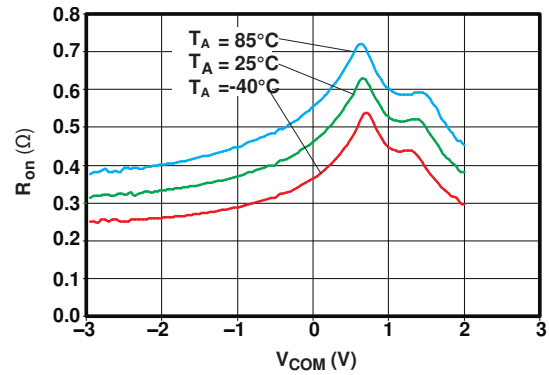


Figure 2. R_{on} vs V_{COM} ($V_{CC} = 2.7\text{ V}$)

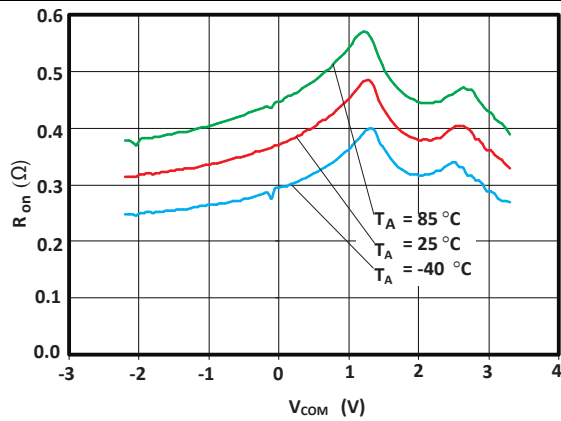


Figure 3. R_{on} vs V_{COM} ($V_{CC} = 3.3\text{ V}$)

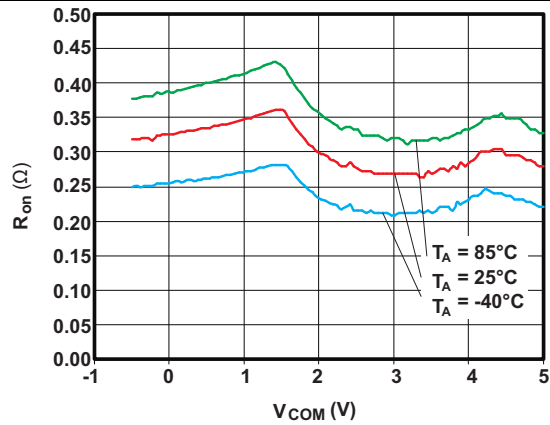


Figure 4. R_{on} vs V_{COM} ($V_{CC} = 5\text{ V}$)

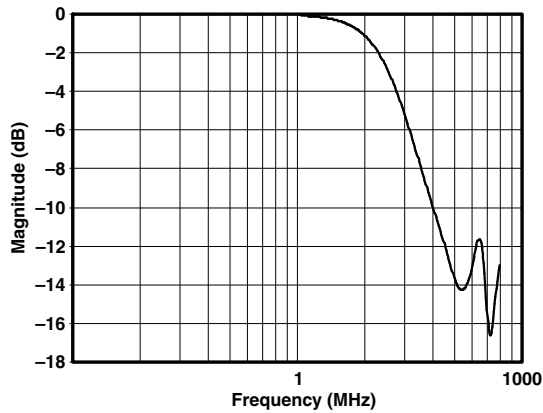


Figure 5. Insertion Loss

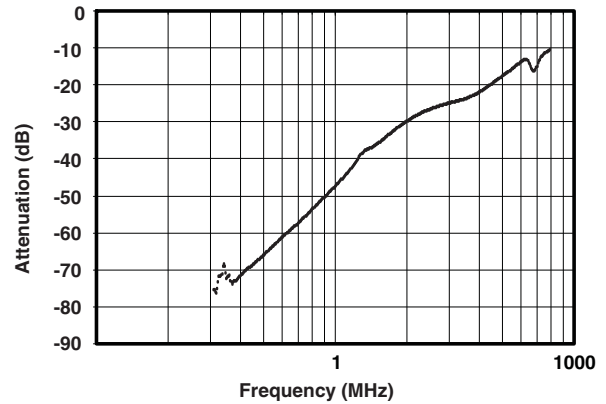


Figure 6. Off Isolation vs Frequency

Typical Characteristics (continued)

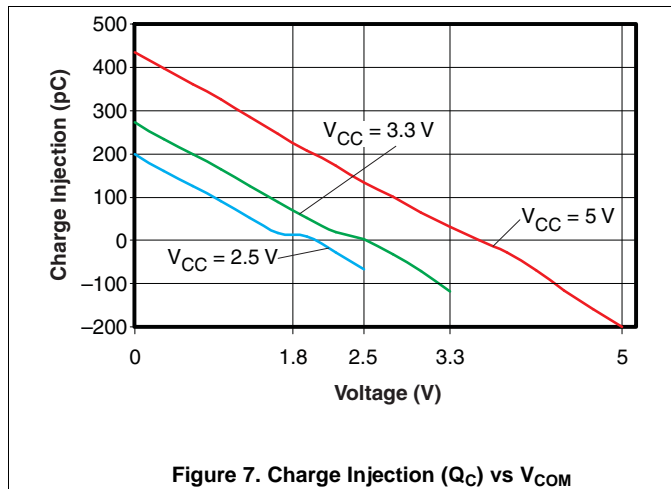


Figure 7. Charge Injection (Q_C) vs V_{COM}

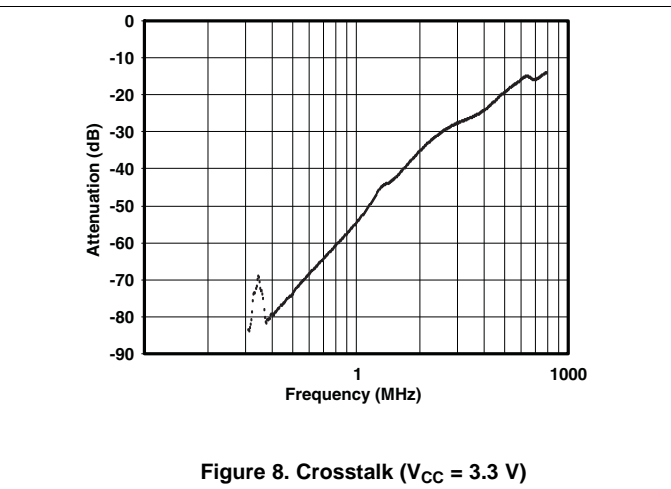


Figure 8. Crosstalk ($V_{CC} = 3.3\text{ V}$)

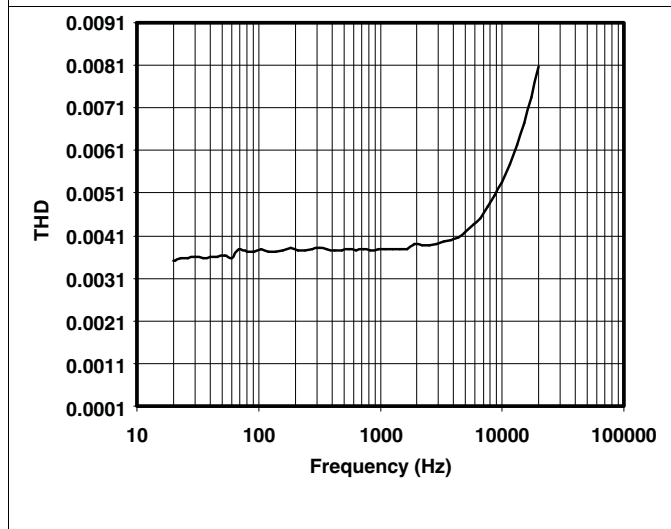


Figure 9. Total Harmonic Distortion vs Frequency

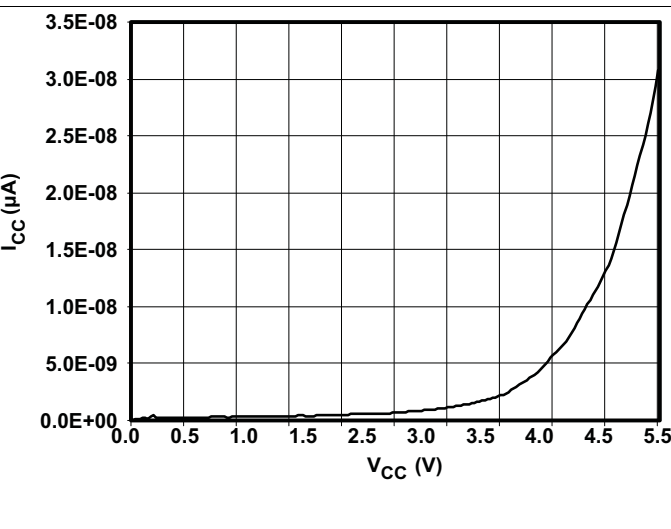


Figure 10. Power-Supply Current vs V_{CC}

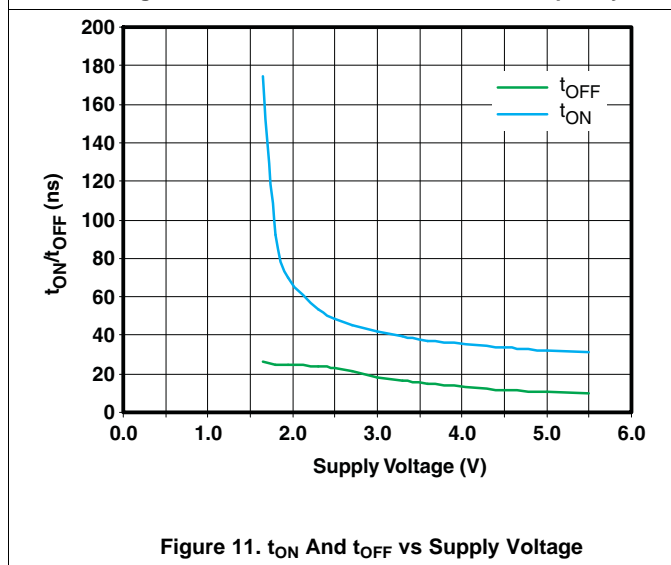


Figure 11. t_{ON} And t_{OFF} vs Supply Voltage

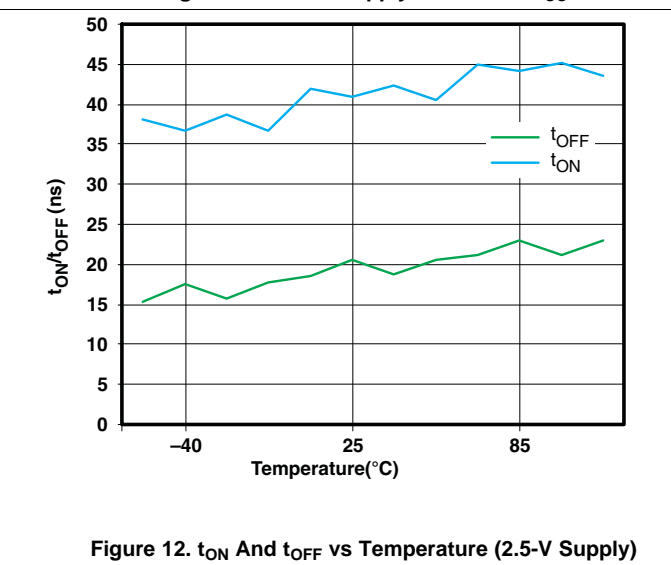


Figure 12. t_{ON} And t_{OFF} vs Temperature (2.5-V Supply)

7 Parameter Measurement Information

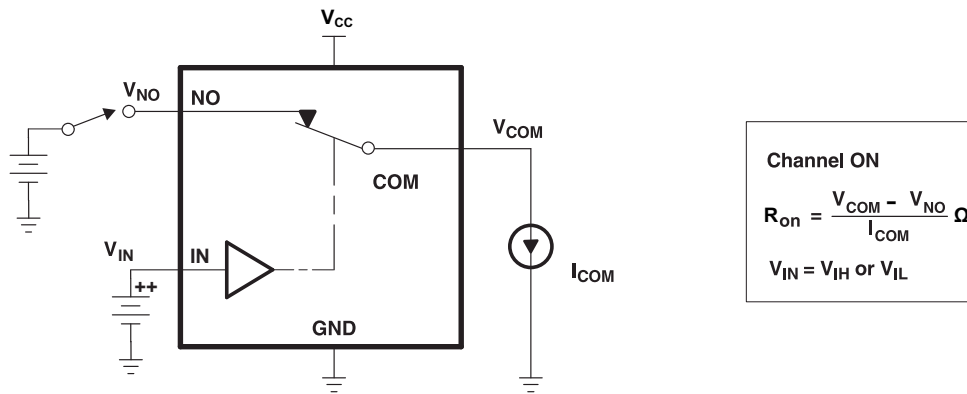


Figure 13. ON-state resistance (R_{on})

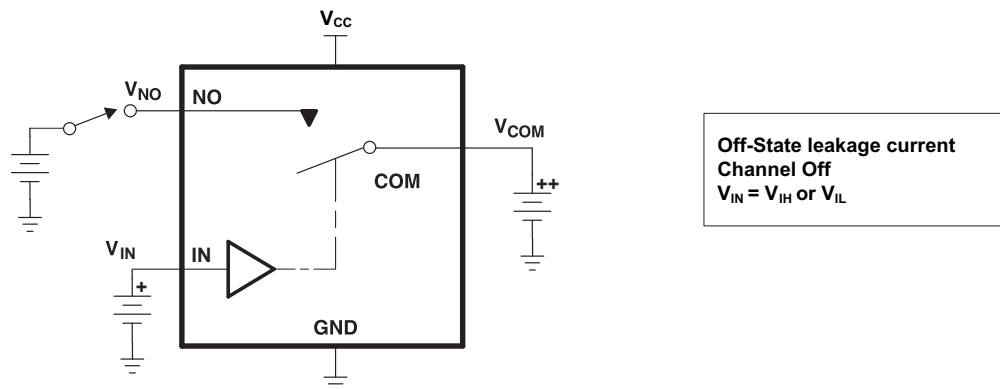


Figure 14. OFF-state leakage current ($I_{COM(OFF)}$, $I_{NO(OFF)}$)

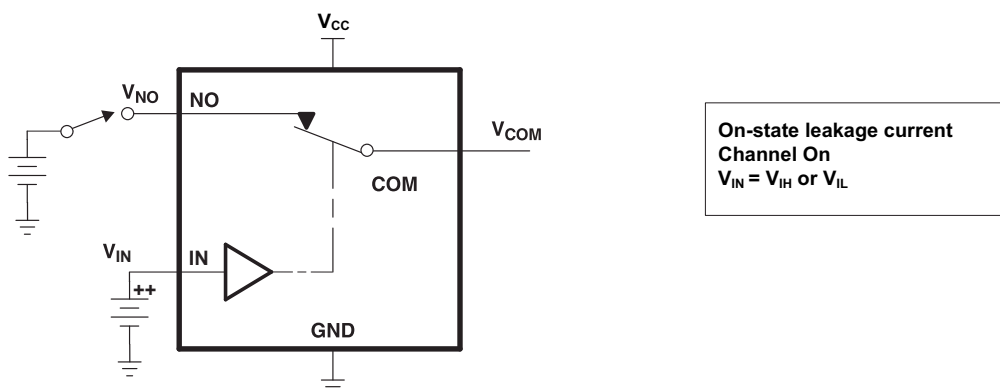


Figure 15. ON-state leakage current ($I_{COM(ON)}$, $I_{NO(ON)}$)

Parameter Measurement Information (continued)

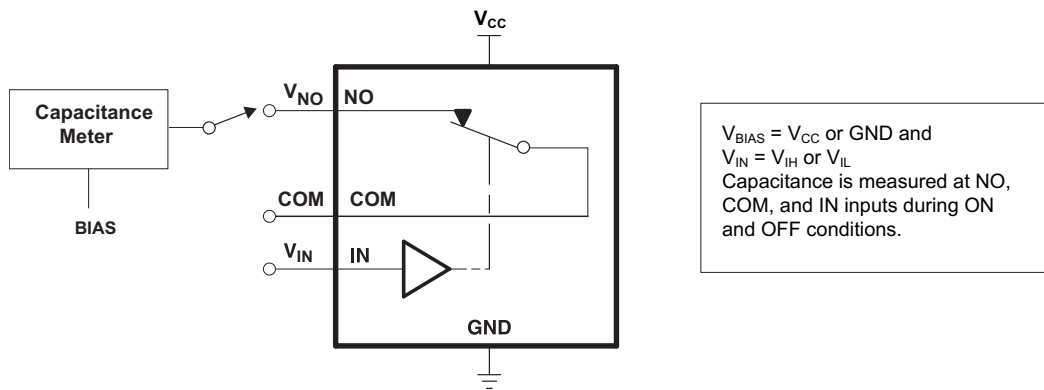
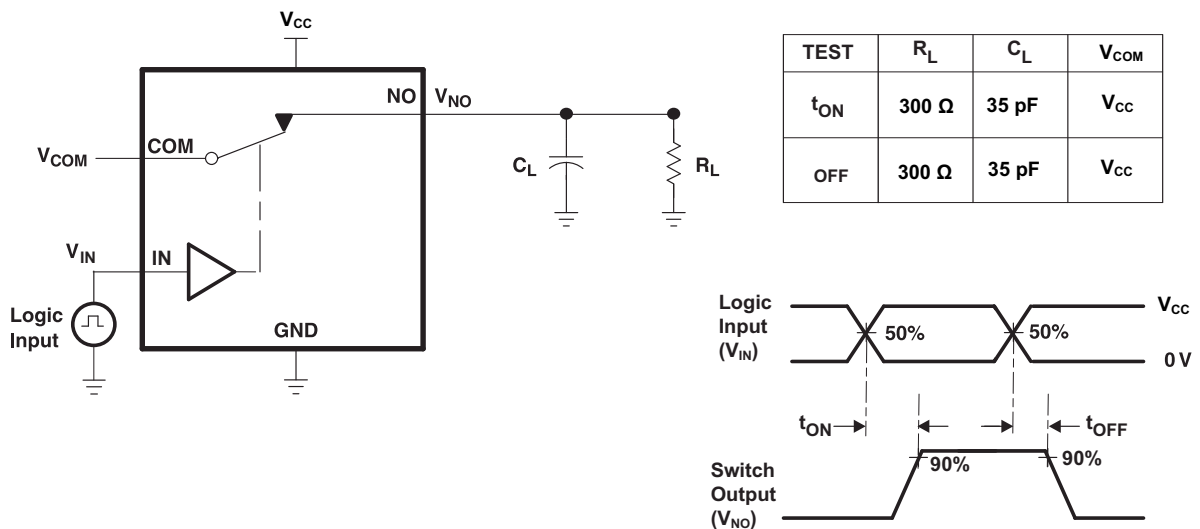


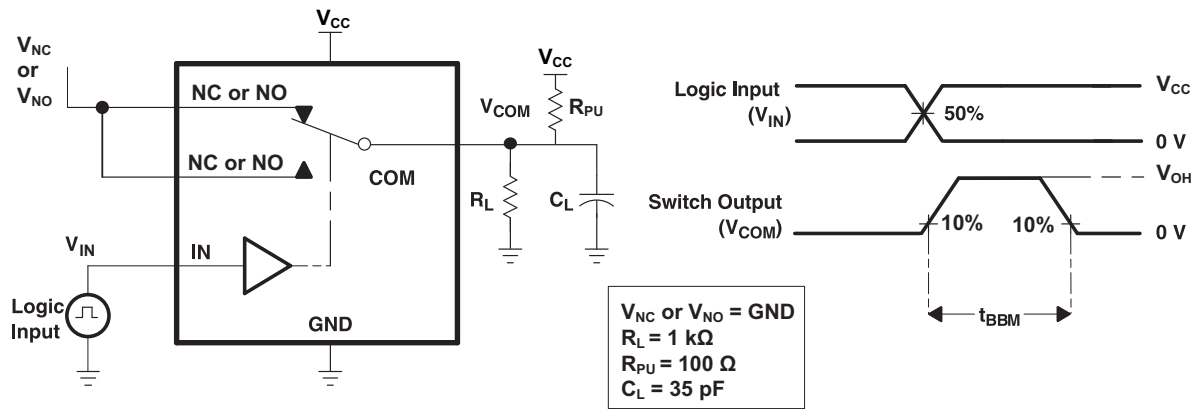
Figure 16. Capacitance (C_I , $C_{COM(OFF)}$, $C_{COM(ON)}$, $C_{NO(OFF)}$, $C_{NO(ON)}$)



- A. All input pulses are supplied by generators having the following characteristics: PRR \leq 10 MHz, $Z_O = 50 \Omega$, $t_r < 5$ ns, $t_f < 5$ ns.
- B. C_L includes probe and jig capacitance.

Figure 17. Turnon (t_{ON}) and Turnoff time (t_{OFF})

Parameter Measurement Information (continued)



- A. C_L includes probe and jig capacitance.
- B. All input pulses are supplied by generators having the following characteristics: $PRR \leq 10$ MHz, $Z_O = 50 \Omega$, $t_r < 5$ ns, $t_f < 5$ ns.

Figure 18. Break-Before-Make Time (t_{BBM})

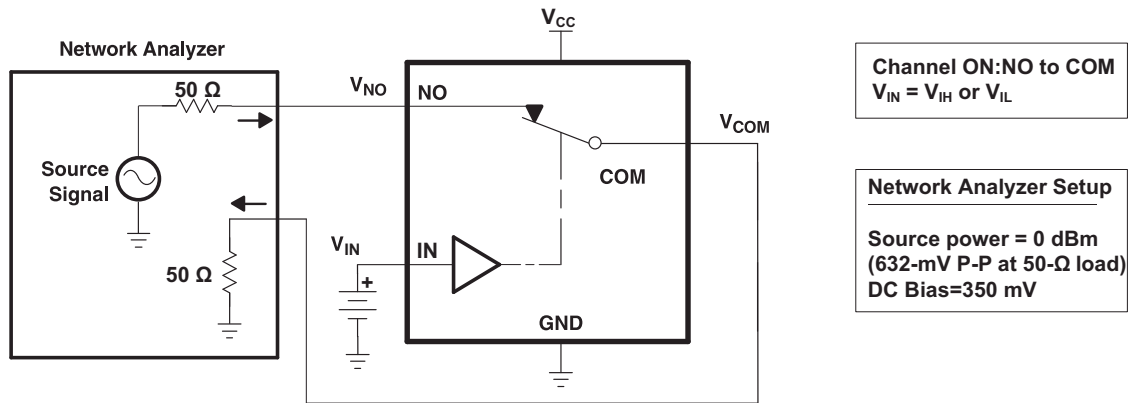


Figure 19. Bandwidth (BW)

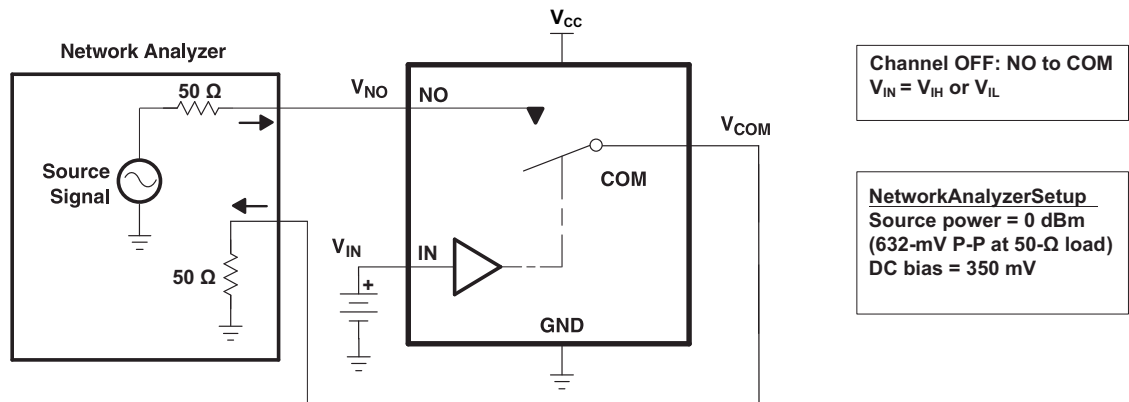


Figure 20. OFF isolation (O_{ISO})

Parameter Measurement Information (continued)

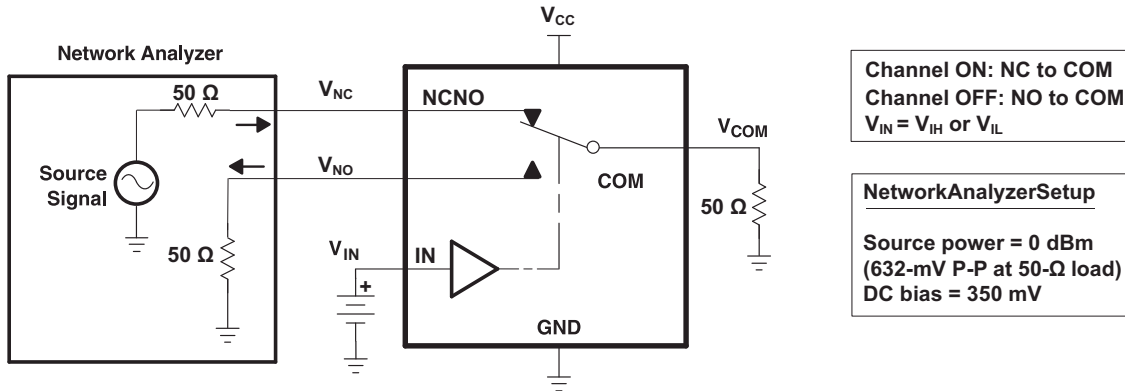
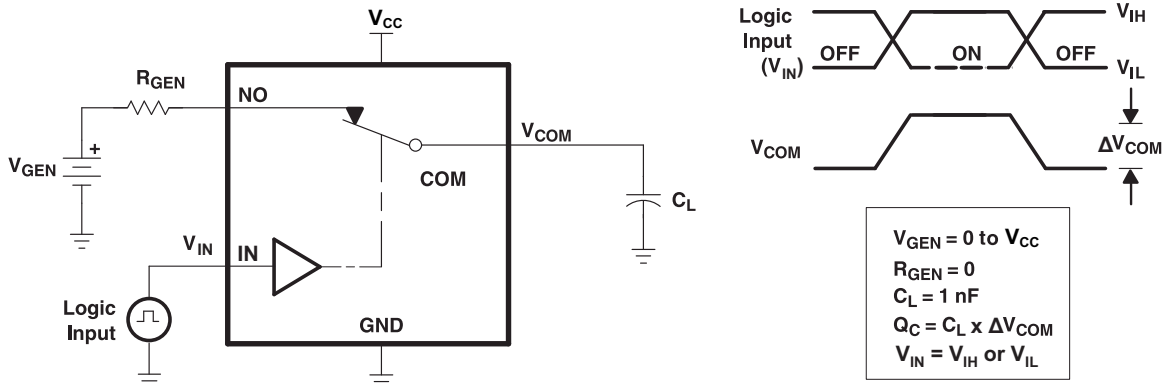


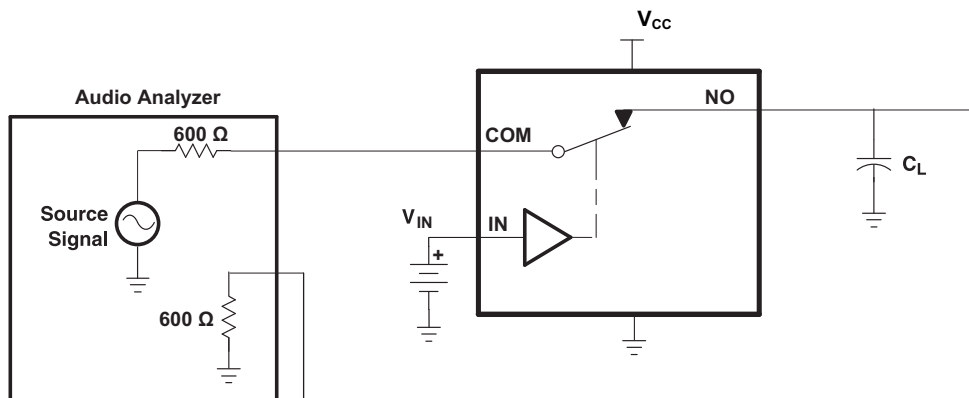
Figure 21. Crosstalk (X_{TALK})



- A. All input pulses are supplied by generators having the following characteristics: $PRR \leq 10$ MHz, $Z_0 = 50 \Omega$, $t_r < 5$ ns, $t_f < 5$ ns.
- B. C_L includes probe and jig capacitance.

Figure 22. Charge injection (Q_C)

Channel ON: COM to NO $V_{IN} = V_{IH}$ or V_{IL} $R_L = 600 \Omega$
 $V_{SOURCE} = 0.5$ V P-P $f_{SOURCE} = 20$ Hz to 20 kHz $C_L = 35$ pF



- A. C_L includes probe and jig capacitance.

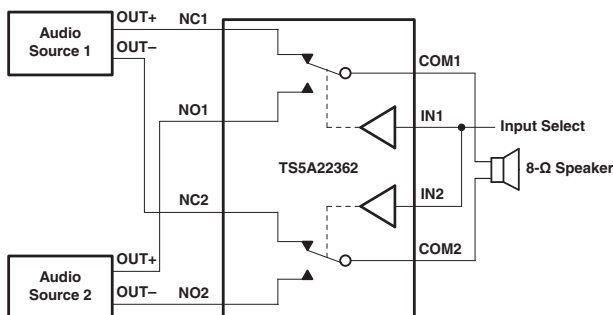
Figure 23. Total Harmonic Distortion (THD)

8 Detailed Description

8.1 Overview

The TS5A22362 is a bidirectional, 2-channel single-pole double-throw (SPDT) analog switches designed to operate from 2.3 V to 5.5 V. The devices feature negative signal capability that allows signals below ground to pass through the switch without distortion. The break-before-make feature prevents signal distortion during the transferring of a signal from one path to another. Low ON-state resistance, excellent channel-to-channel ON-state resistance matching, and minimal total harmonic distortion (THD) performance are ideal for audio applications

8.2 Functional Block Diagram



8.3 Feature Description

8.3.1 Negative Signaling Capacity

The TS5A22362 dual SPDT switches feature negative signal capability that allows signals below ground to pass through without distortion. These analog switches operate from a single +2.3-V to +5.5-V supply. The input and output signal swing of the device is dependant of the supply voltage V_{CC} : the devices pass signals as high as V_{CC} and as low as $V_{CC} - 5.5$ V, including signals below ground with minimal distortion.

Table 1 shows the input/output signal swing the user can get with different supply voltages.

Table 1. Input/Output signal swing

SUPPLY VOLTAGE, V_{CC}	MINIMUM (V_{NC} , V_{NO} , V_{COM}) = $V_{CC} - 5.5$	MAXIMUM (V_{NC} , V_{NO} , V_{COM}) = V_{CC}
5.5 V	0 V	5.5 V
4.5 V	-1.9 V	4.5 V
3.6 V	-2.5 V	3.6 V
3.0 V	-2.5 V	3.0 V
2.7 V	-2.8 V	2.7 V
2.3 V	-3.2 V	2.3 V

8.4 Device Functional Modes

The function table for TS5A22362 is shown in Table 2

Table 2. Function Table

IN	NC TO COM, COM TO NC	NO TO COM, COM TO NO
L	ON	OFF
H	OFF	ON

9 Application and Implementation

NOTE

Information in the following applications sections is not part of the TI component specification, and TI does not warrant its accuracy or completeness. TI's customers are responsible for determining suitability of components for their purposes. Customers should validate and test their design implementation to confirm system functionality.

9.1 Application Information

Ensure that the device is powered up with a supply voltage on VCC before a voltage can be applied to the signal paths NC and NO.

Tie the digitally controlled inputs select pins IN1 and IN2 to V_{CC} or GND to avoid unwanted switch states that could result if the logic control pins are left floating.

All unused digital inputs of the device must be held at VCC or GND to ensure proper device operation. Refer to the TI application report, *Implications of Slow or Floating CMOS Inputs*, [SCBA004](#).

9.2 Typical Application

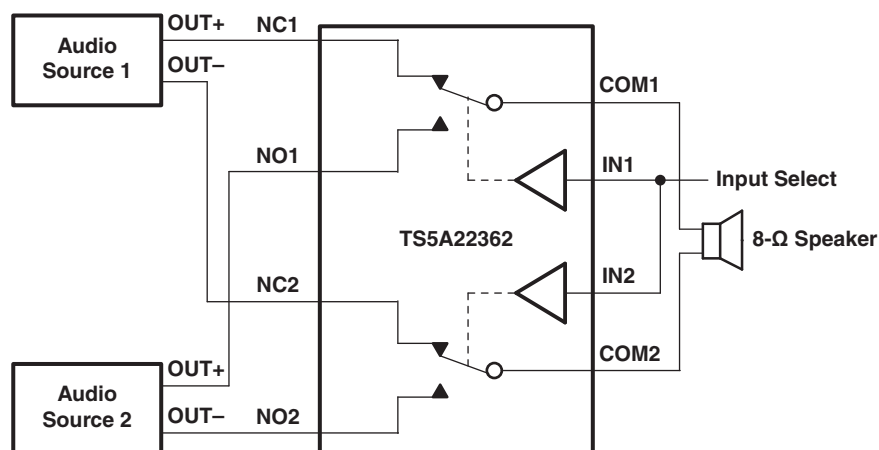


Figure 24. Typical Application

9.2.1 Design Requirements

Tie the digitally controlled inputs select pins IN1 and IN2 to V_{CC} or GND to avoid unwanted switch states that could result if the logic control pins are left floating.

9.2.2 Detailed Design Procedure

Select the appropriate supply voltage to cover the entire voltage swing of the signal passing through the switch because the TS5A22362 operates from a single +2.3-V to +5.5-V supply and the input/output signal swing of the device is dependant of the supply voltage V_{CC}. The device will pass signals as high as V_{CC} and as low as V_{CC} – 5.5 V. Use table 2 as a guide for selecting supply voltage based on the signal passing through the switch.

Ensure that the device is powered up with a supply voltage on VCC before a voltage can be applied to the signal paths NC and NO.

Typical Application (continued)

9.2.3 Application Curve

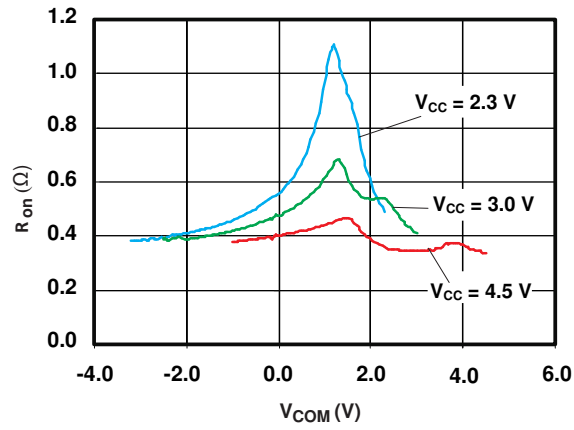


Figure 25. R_{on} vs V_{COM}

10 Power Supply Recommendations

The TS5A22362 operates from a single 2.3-V to 5.5-V supply. The device must be powered up with a supply voltage on VCC before a voltage can be applied to the signal paths NC and NO. It is recommended to include a 100- μ s delay after VCC is at voltage before applying a signal on NC and NO paths

It is also good practice to place a 0.1- μ F bypass capacitor on the supply pin VCC to GND to smooth out lower frequency noise to provide better load regulation across the frequency spectrum.

11 Layout

11.1 Layout Guidelines

TI recommends placing a bypass capacitor as close to the supply pin VCC as possible to help smooth out lower frequency noise to provide better load regulation across the frequency spectrum.

Minimize trace lengths and vias on the signal paths in order to preserve signal integrity.

11.2 Layout Example

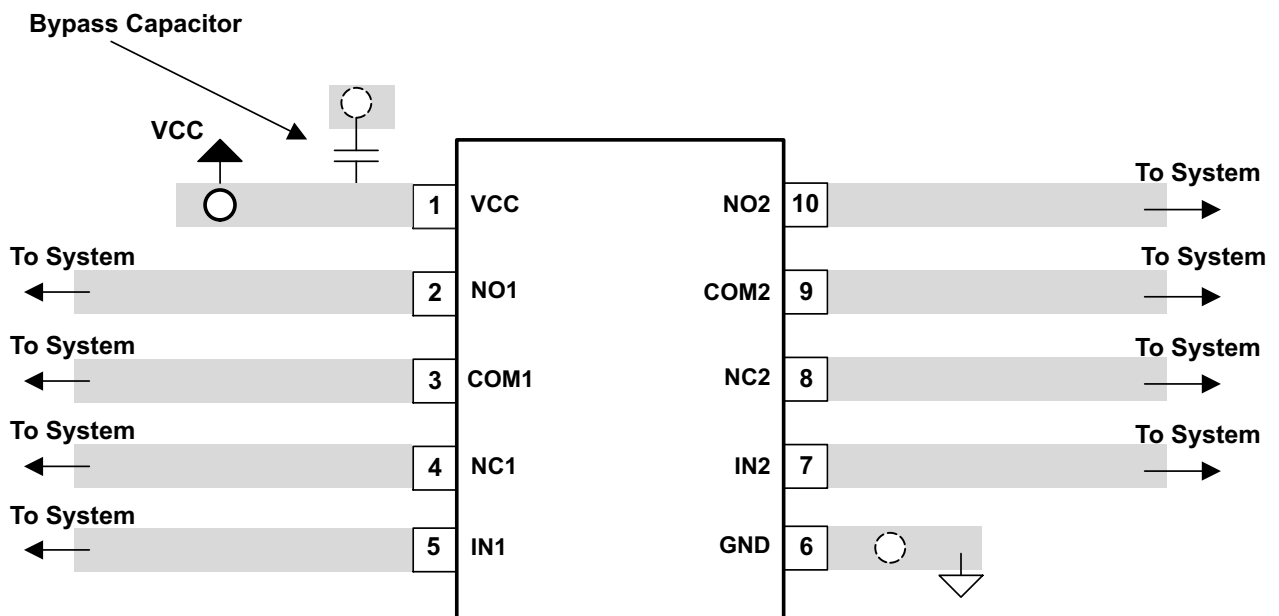
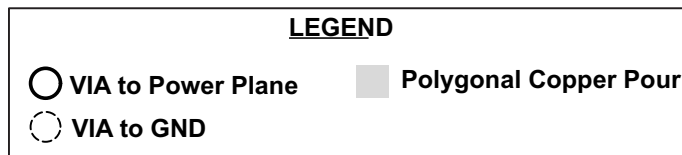


Figure 26. Layout example of TS5A22362

12 器件和文档支持

12.1 接收文档更新通知

要接收文档更新通知，请导航至 ti.com 上的器件产品文件夹。单击右上角的通知我进行注册，即可每周接收产品信息更改摘要。有关更改的详细信息，请查看任何已修订文档中包含的修订历史记录。

12.2 社区资源

[TI E2E™ support forums](#) are an engineer's go-to source for fast, verified answers and design help — straight from the experts. Search existing answers or ask your own question to get the quick design help you need.

Linked content is provided "AS IS" by the respective contributors. They do not constitute TI specifications and do not necessarily reflect TI's views; see TI's [Terms of Use](#).

12.3 商标

E2E is a trademark of Texas Instruments.

All other trademarks are the property of their respective owners.

12.4 静电放电警告



这些装置包含有限的内置 ESD 保护。存储或装卸时，应将导线一起截短或将装置放置于导电泡棉中，以防止 MOS 门极遭受静电损伤。

12.5 Glossary

[SLYZ022](#) — *TI Glossary*.

This glossary lists and explains terms, acronyms, and definitions.

13 机械、封装和可订购信息

以下页面包含机械、封装和可订购信息。这些信息是指定器件的最新可用数据。数据如有变更，恕不另行通知，且不会对此文档进行修订。如需获取此数据表的浏览器版本，请查阅左侧的导航栏。

PACKAGING INFORMATION

Orderable Device	Status (1)	Package Type	Package Drawing	Pins	Package Qty	Eco Plan (2)	Lead finish/ Ball material (6)	MSL Peak Temp (3)	Op Temp (°C)	Device Marking (4/5)	Samples
TS5A22362DGSR	ACTIVE	VSSOP	DGS	10	2500	RoHS & Green	NIPDAU	Level-1-260C-UNLIM	-40 to 85	39R	Samples
TS5A22362DGSRG4	ACTIVE	VSSOP	DGS	10	2500	RoHS & Green	NIPDAU	Level-1-260C-UNLIM	-40 to 85	39R	Samples
TS5A22362DRCR	ACTIVE	VSON	DRC	10	3000	RoHS & Green	NIPDAU	Level-2-260C-1 YEAR	-40 to 85	ZVG	Samples
TS5A22362DRCT-NM	ACTIVE	VSON	DRC	10	250	RoHS & Green	SN	Level-2-260C-1 YEAR	-40 to 85	ZVGNM	Samples
TS5A22362YZPR	ACTIVE	DSBGA	YZP	10	3000	RoHS & Green	SNAGCU	Level-1-260C-UNLIM	-40 to 85	(39, 392)	Samples

(1) The marketing status values are defined as follows:

ACTIVE: Product device recommended for new designs.

LIFEBUY: TI has announced that the device will be discontinued, and a lifetime-buy period is in effect.

NRND: Not recommended for new designs. Device is in production to support existing customers, but TI does not recommend using this part in a new design.

PREVIEW: Device has been announced but is not in production. Samples may or may not be available.

OBSELETE: TI has discontinued the production of the device.

(2) **RoHS:** TI defines "RoHS" to mean semiconductor products that are compliant with the current EU RoHS requirements for all 10 RoHS substances, including the requirement that RoHS substance do not exceed 0.1% by weight in homogeneous materials. Where designed to be soldered at high temperatures, "RoHS" products are suitable for use in specified lead-free processes. TI may reference these types of products as "Pb-Free".

RoHS Exempt: TI defines "RoHS Exempt" to mean products that contain lead but are compliant with EU RoHS pursuant to a specific EU RoHS exemption.

Green: TI defines "Green" to mean the content of Chlorine (Cl) and Bromine (Br) based flame retardants meet JS709B low halogen requirements of <=1000ppm threshold. Antimony trioxide based flame retardants must also meet the <=1000ppm threshold requirement.

(3) MSL, Peak Temp. - The Moisture Sensitivity Level rating according to the JEDEC industry standard classifications, and peak solder temperature.

(4) There may be additional marking, which relates to the logo, the lot trace code information, or the environmental category on the device.

(5) Multiple Device Markings will be inside parentheses. Only one Device Marking contained in parentheses and separated by a "~" will appear on a device. If a line is indented then it is a continuation of the previous line and the two combined represent the entire Device Marking for that device.

(6) Lead finish/Ball material - Orderable Devices may have multiple material finish options. Finish options are separated by a vertical ruled line. Lead finish/Ball material values may wrap to two lines if the finish value exceeds the maximum column width.

Important Information and Disclaimer: The information provided on this page represents TI's knowledge and belief as of the date that it is provided. TI bases its knowledge and belief on information provided by third parties, and makes no representation or warranty as to the accuracy of such information. Efforts are underway to better integrate information from third parties. TI has taken and continues to take reasonable steps to provide representative and accurate information but may not have conducted destructive testing or chemical analysis on incoming materials and chemicals. TI and TI suppliers consider certain information to be proprietary, and thus CAS numbers and other limited information may not be available for release.

In no event shall TI's liability arising out of such information exceed the total purchase price of the TI part(s) at issue in this document sold by TI to Customer on an annual basis.

TAPE AND REEL INFORMATION

QUADRANT ASSIGNMENTS FOR PIN 1 ORIENTATION IN TAPE


*All dimensions are nominal

Device	Package Type	Package Drawing	Pins	SPQ	Reel Diameter (mm)	Reel Width W1 (mm)	A0 (mm)	B0 (mm)	K0 (mm)	P1 (mm)	W (mm)	Pin1 Quadrant
TS5A22362DGSR	VSSOP	DGS	10	2500	330.0	12.4	5.3	3.4	1.4	8.0	12.0	Q1
TS5A22362DRCR	VSON	DRC	10	3000	330.0	12.4	3.3	3.3	1.1	8.0	12.0	Q2
TS5A22362DRCT-NM	VSON	DRC	10	250	180.0	12.4	3.3	3.3	1.1	8.0	12.0	Q2
TS5A22362YZPR	DSBGA	YZP	10	3000	178.0	9.2	1.49	1.99	0.63	4.0	8.0	Q2

TAPE AND REEL BOX DIMENSIONS


*All dimensions are nominal

Device	Package Type	Package Drawing	Pins	SPQ	Length (mm)	Width (mm)	Height (mm)
TS5A22362DGSR	VSSOP	DGS	10	2500	358.0	335.0	35.0
TS5A22362DRCR	VSON	DRC	10	3000	356.0	356.0	35.0
TS5A22362DRCT-NM	VSON	DRC	10	250	210.0	185.0	35.0
TS5A22362YZPR	DSBGA	YZP	10	3000	220.0	220.0	35.0

DGS0010A



PACKAGE OUTLINE

VSSOP - 1.1 mm max height

SMALL OUTLINE PACKAGE



4221984/A 05/2015

NOTES:

1. All linear dimensions are in millimeters. Any dimensions in parenthesis are for reference only. Dimensioning and tolerancing per ASME Y14.5M.
2. This drawing is subject to change without notice.
3. This dimension does not include mold flash, protrusions, or gate burrs. Mold flash, protrusions, or gate burrs shall not exceed 0.15 mm per side.
4. This dimension does not include interlead flash. Interlead flash shall not exceed 0.25 mm per side.
5. Reference JEDEC registration MO-187, variation BA.

EXAMPLE BOARD LAYOUT

DGS0010A

VSSOP - 1.1 mm max height

SMALL OUTLINE PACKAGE



LAND PATTERN EXAMPLE
SCALE:10X



SOLDER MASK DETAILS
NOT TO SCALE

4221984/A 05/2015

NOTES: (continued)

- 6. Publication IPC-7351 may have alternate designs.
- 7. Solder mask tolerances between and around signal pads can vary based on board fabrication site.

EXAMPLE STENCIL DESIGN

DGS0010A

VSSOP - 1.1 mm max height

SMALL OUTLINE PACKAGE



SOLDER PASTE EXAMPLE
BASED ON 0.125 mm THICK STENCIL
SCALE:10X

4221984/A 05/2015

NOTES: (continued)

8. Laser cutting apertures with trapezoidal walls and rounded corners may offer better paste release. IPC-7525 may have alternate design recommendations.
9. Board assembly site may have different recommendations for stencil design.

GENERIC PACKAGE VIEW

DRC 10

VSON - 1 mm max height

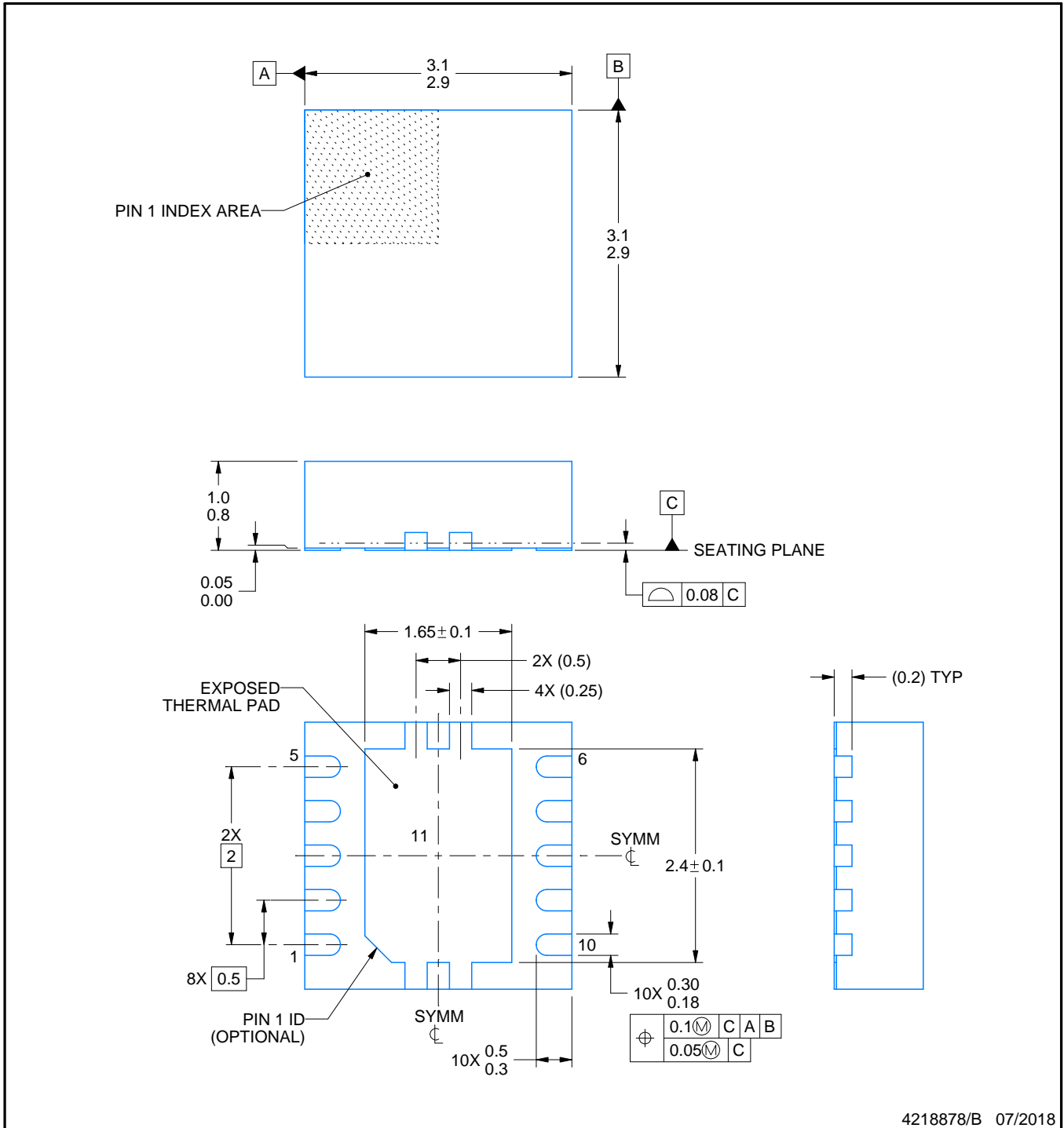
3 x 3, 0.5 mm pitch

PLASTIC SMALL OUTLINE - NO LEAD

This image is a representation of the package family, actual package may vary.
Refer to the product data sheet for package details.



4226193/A



4218878/B 07/2018

NOTES:

1. All linear dimensions are in millimeters. Any dimensions in parenthesis are for reference only. Dimensioning and tolerancing per ASME Y14.5M.
2. This drawing is subject to change without notice.
3. The package thermal pad must be soldered to the printed circuit board for optimal thermal and mechanical performance.

EXAMPLE BOARD LAYOUT

DRC0010J

VSON - 1 mm max height

PLASTIC SMALL OUTLINE - NO LEAD



LAND PATTERN EXAMPLE
EXPOSED METAL SHOWN
SCALE:20X



SOLDER MASK DETAILS

4218878/B 07/2018

NOTES: (continued)

4. This package is designed to be soldered to a thermal pad on the board. For more information, see Texas Instruments literature number SLUA271 (www.ti.com/lit/sluea271).
5. Vias are optional depending on application, refer to device data sheet. If any vias are implemented, refer to their locations shown on this view. It is recommended that vias under paste be filled, plugged or tented.

EXAMPLE STENCIL DESIGN

DRC0010J

VSON - 1 mm max height

PLASTIC SMALL OUTLINE - NO LEAD



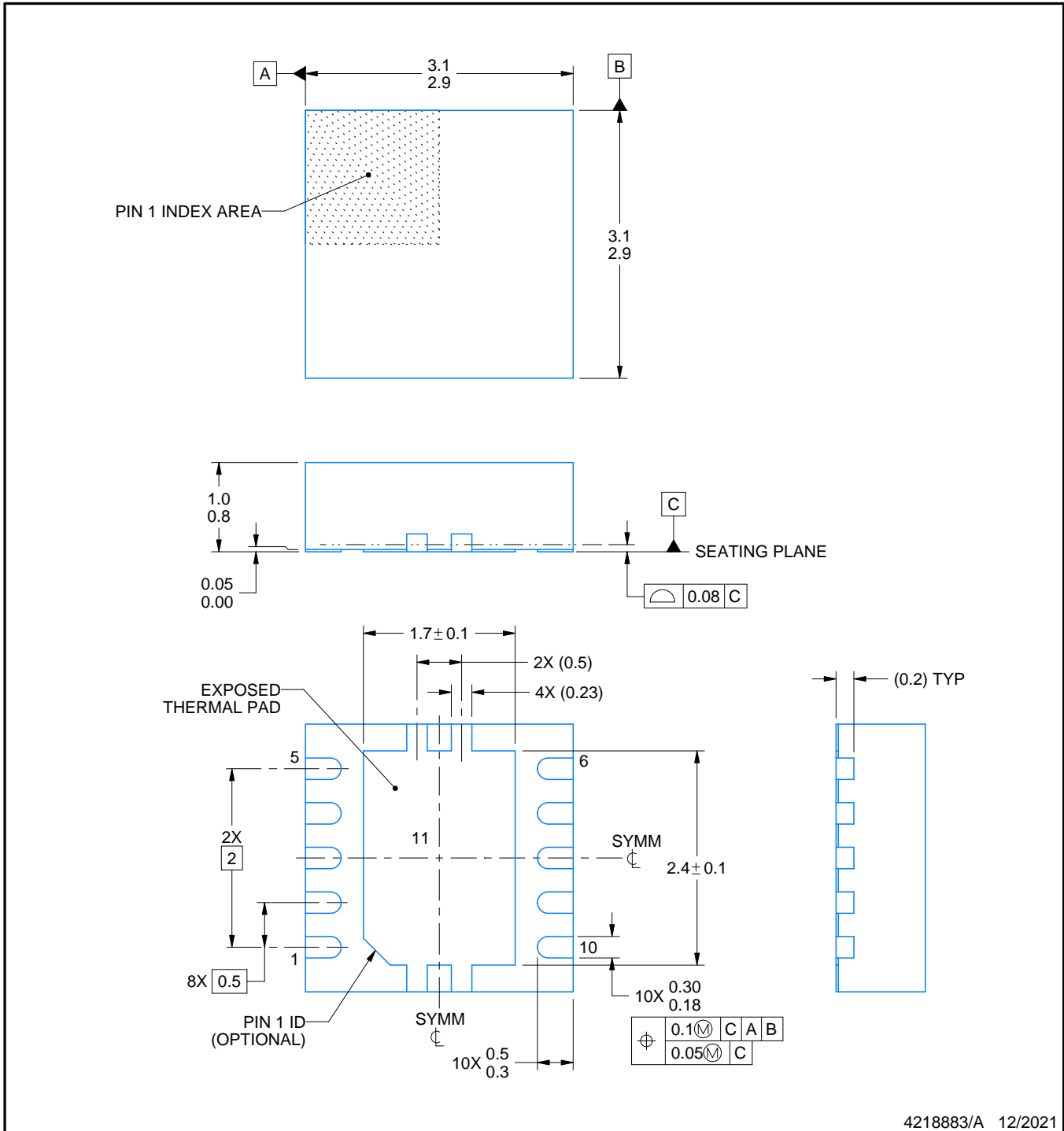
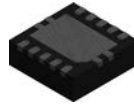
SOLDER PASTE EXAMPLE
BASED ON 0.125 mm THICK STENCIL

EXPOSED PAD 11:
80% PRINTED SOLDER COVERAGE BY AREA
SCALE:25X

4218878/B 07/2018

NOTES: (continued)

6. Laser cutting apertures with trapezoidal walls and rounded corners may offer better paste release. IPC-7525 may have alternate design recommendations.



4218883/A 12/2021

NOTES:

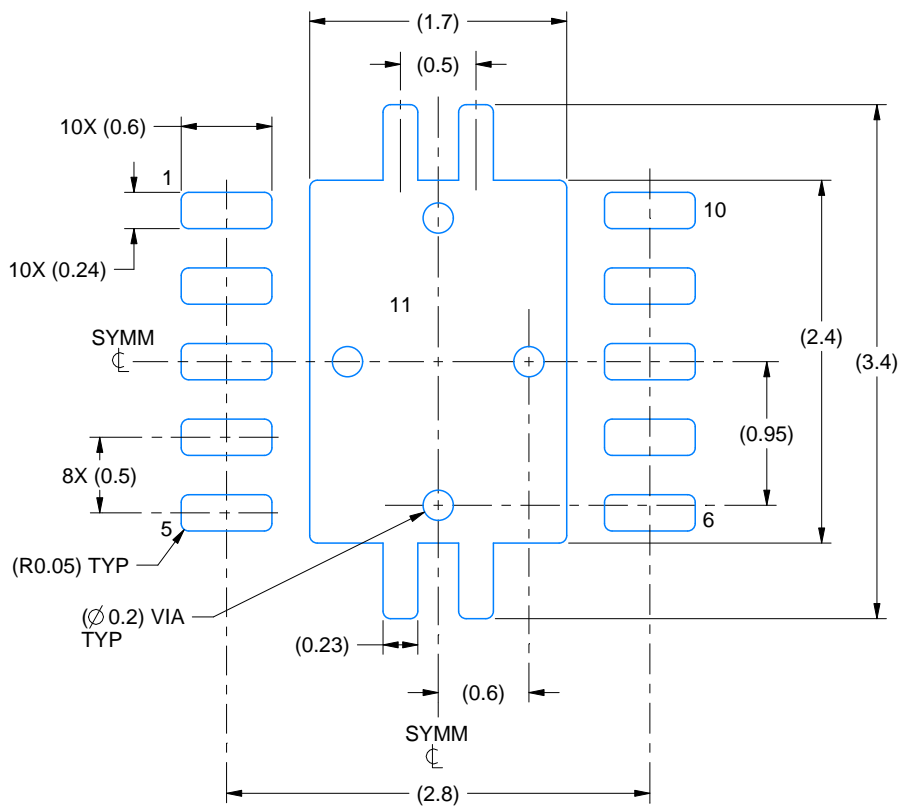
1. All linear dimensions are in millimeters. Any dimensions in parenthesis are for reference only. Dimensioning and tolerancing per ASME Y14.5M.
2. This drawing is subject to change without notice.
3. The package thermal pad must be soldered to the printed circuit board for optimal thermal and mechanical performance.

EXAMPLE BOARD LAYOUT

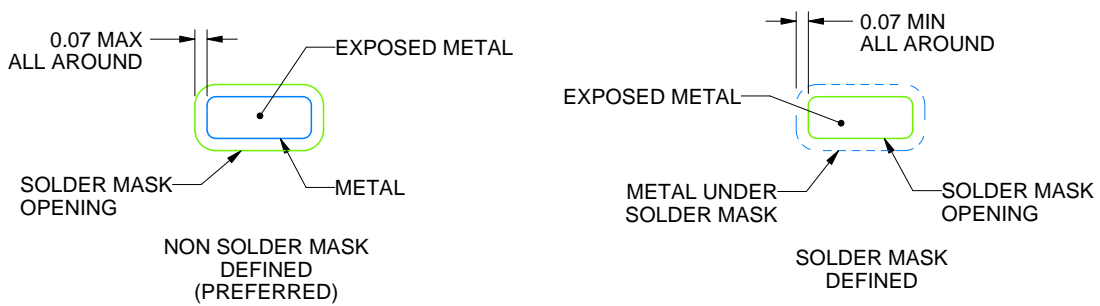
DRC0010H

VSON - 1 mm max height

PLASTIC SMALL OUTLINE - NO LEAD



LAND PATTERN EXAMPLE
EXPOSED METAL SHOWN
SCALE:20X



SOLDER MASK DETAILS

4218883/A 12/2021

NOTES: (continued)

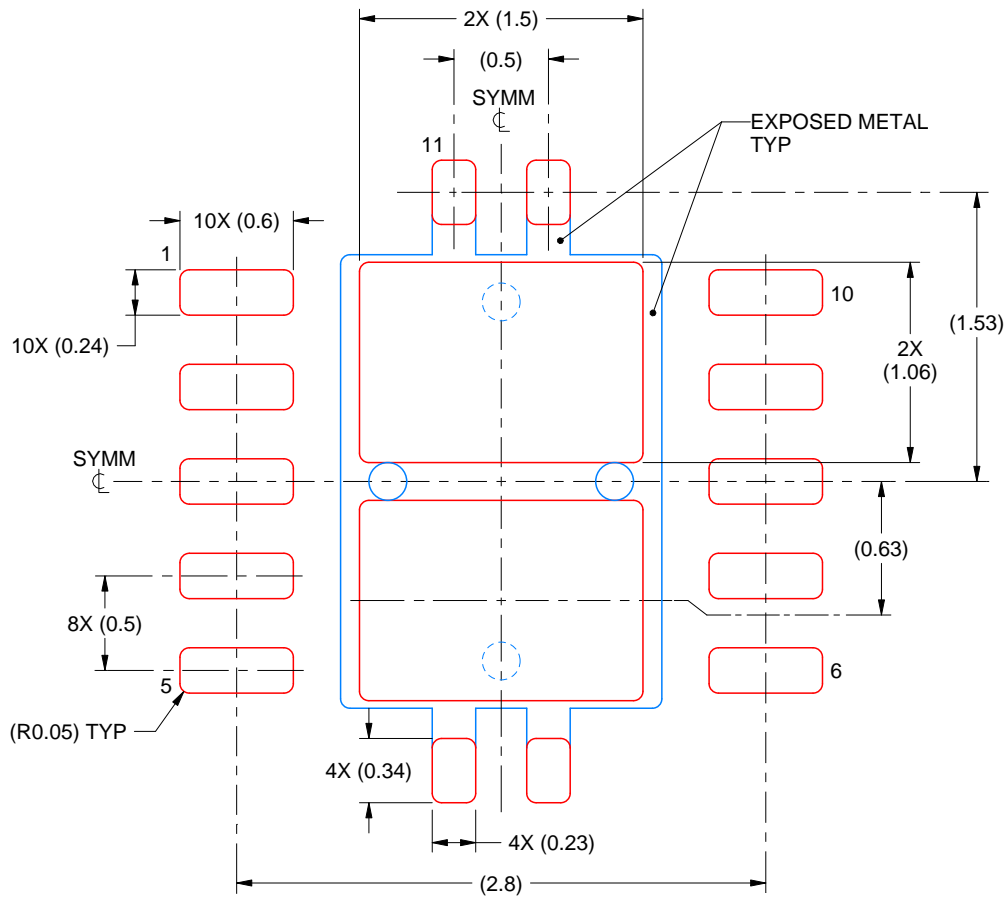
4. This package is designed to be soldered to a thermal pad on the board. For more information, see Texas Instruments literature number SLUA271 (www.ti.com/lit/sluea271).
5. Vias are optional depending on application, refer to device data sheet. If any vias are implemented, refer to their locations shown on this view. It is recommended that vias under paste be filled, plugged or tented.

EXAMPLE STENCIL DESIGN

DRC0010H

VSON - 1 mm max height

PLASTIC SMALL OUTLINE - NO LEAD



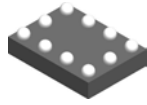
SOLDER PASTE EXAMPLE
BASED ON 0.125 mm THICK STENCIL

EXPOSED PAD 11:
80% PRINTED SOLDER COVERAGE BY AREA
SCALE:25X

4218883/A 12/2021

NOTES: (continued)

6. Laser cutting apertures with trapezoidal walls and rounded corners may offer better paste release. IPC-7525 may have alternate design recommendations.

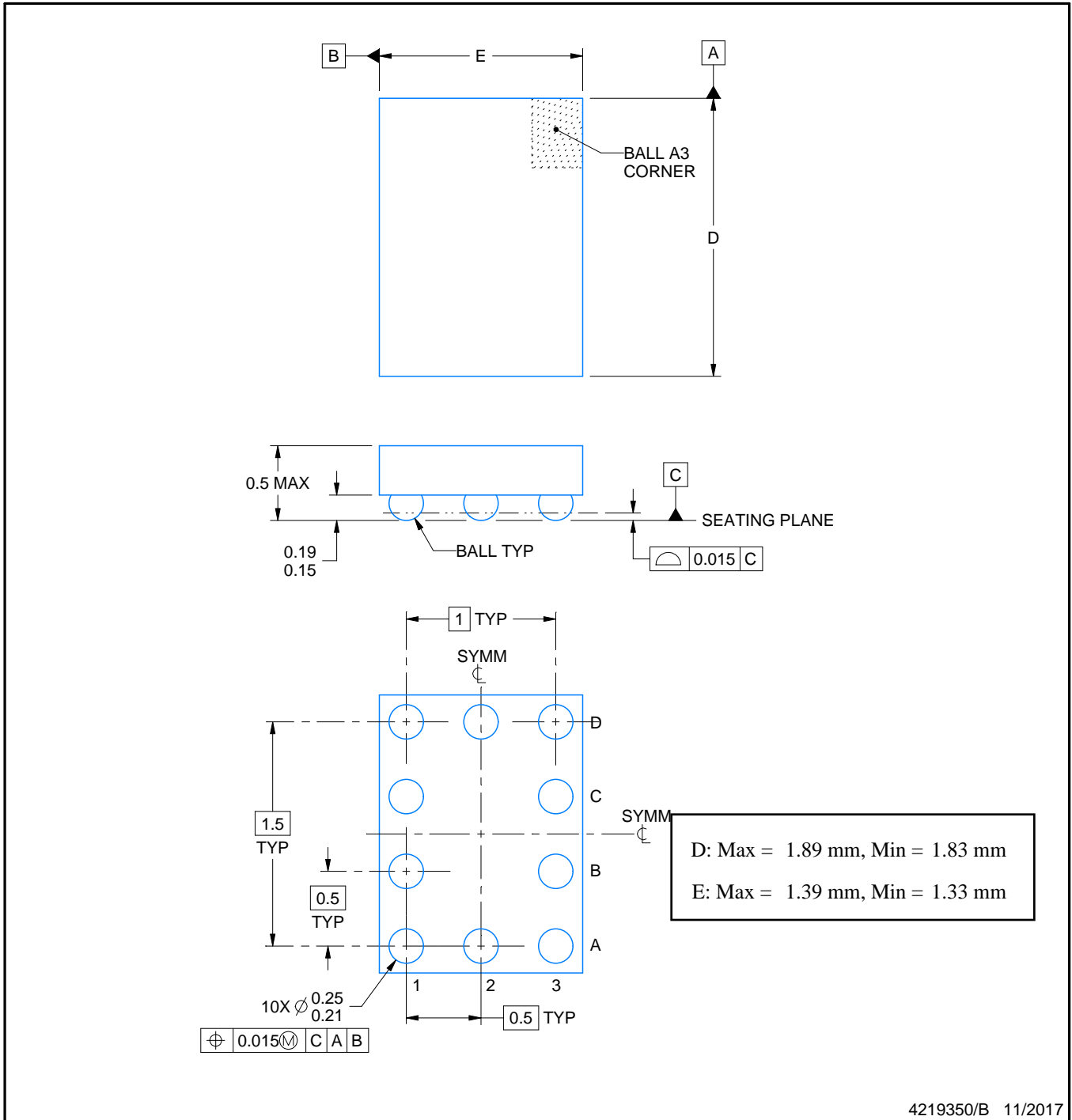


PACKAGE OUTLINE

YZP0010

DSBGA - 0.5 mm max height

DIE SIZE BALL GRID ARRAY



NOTES:

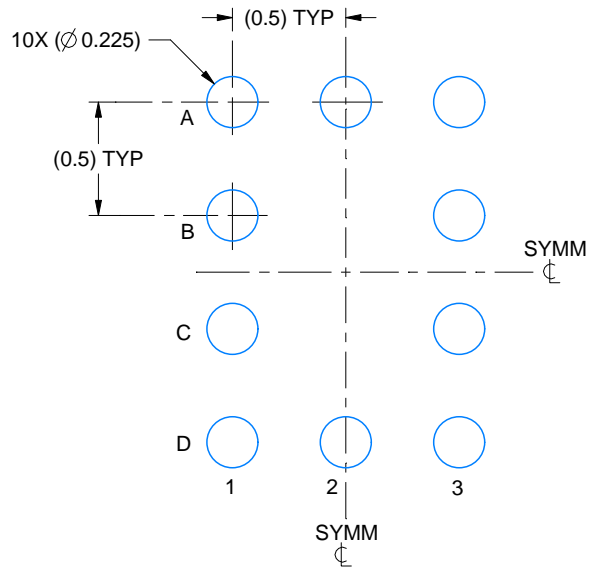
1. All linear dimensions are in millimeters. Any dimensions in parenthesis are for reference only. Dimensioning and tolerancing per ASME Y14.5M.
2. This drawing is subject to change without notice.

EXAMPLE BOARD LAYOUT

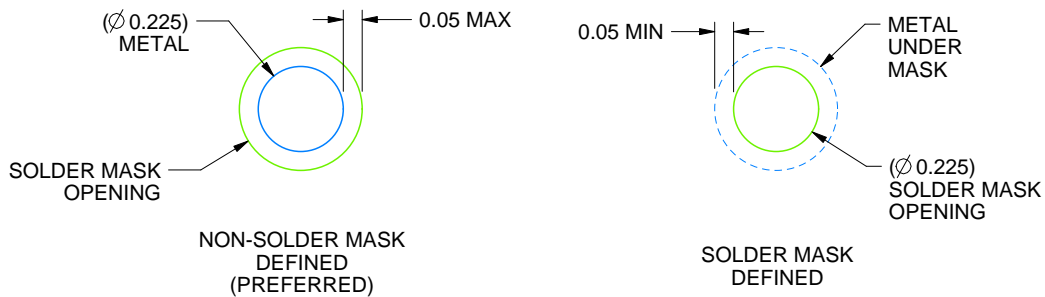
YZP0010

DSBGA - 0.5 mm max height

DIE SIZE BALL GRID ARRAY



LAND PATTERN EXAMPLE
SCALE:30X



SOLDER MASK DETAILS
NOT TO SCALE

4219350/B 11/2017

NOTES: (continued)

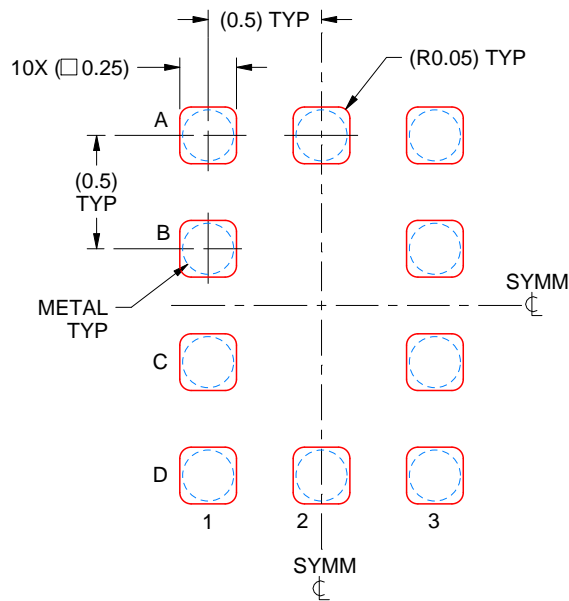
- Final dimensions may vary due to manufacturing tolerance considerations and also routing constraints. For more information, see Texas Instruments literature number SBVA017 (www.ti.com/lit/sbva017).

EXAMPLE STENCIL DESIGN

YZP0010

DSBGA - 0.5 mm max height

DIE SIZE BALL GRID ARRAY



SOLDER PASTE EXAMPLE
BASED ON 0.1 mm THICK STENCIL
SCALE:30X

4219350/B 11/2017

NOTES: (continued)

4. Laser cutting apertures with trapezoidal walls and rounded corners may offer better paste release.

重要声明和免责声明

TI“按原样”提供技术和可靠性数据（包括数据表）、设计资源（包括参考设计）、应用或其他设计建议、网络工具、安全信息和其他资源，不保证没有瑕疵且不做任何明示或暗示的担保，包括但不限于对适销性、某特定用途方面的适用性或不侵犯任何第三方知识产权的暗示担保。

这些资源可供使用 TI 产品进行设计的熟练开发人员使用。您将自行承担以下全部责任：(1) 针对您的应用选择合适的 TI 产品，(2) 设计、验证并测试您的应用，(3) 确保您的应用满足相应标准以及任何其他功能安全、信息安全、监管或其他要求。

这些资源如有变更，恕不另行通知。TI 授权您仅可将这些资源用于研发本资源所述的 TI 产品的应用。严禁对这些资源进行其他复制或展示。您无权使用任何其他 TI 知识产权或任何第三方知识产权。您应全额赔偿因在这些资源的使用中对 TI 及其代表造成的任何索赔、损害、成本、损失和债务，TI 对此概不负责。

TI 提供的产品受 [TI 的销售条款](#) 或 [ti.com](#) 上其他适用条款/TI 产品随附的其他适用条款的约束。TI 提供这些资源并不会扩展或以其他方式更改 TI 针对 TI 产品发布的适用的担保或担保免责声明。

TI 反对并拒绝您可能提出的任何其他或不同的条款。

邮寄地址：Texas Instruments, Post Office Box 655303, Dallas, Texas 75265

Copyright © 2022，德州仪器 (TI) 公司