

## LM57-Q1 电阻可编程温度开关和模拟温度传感器

### 1 特性

- 符合汽车级应用要求。关于商用器件，请参见 [LM57 数据表](#)
- 具有符合 AEC-Q100 的下列结果：
  - 温度 0 级扩展：-50°C 至 +160°C 的工作温度范围，甚至可高达 170°C
  - 温度 0 级：-50°C 至 +150°C 的工作温度范围
  - 温度 1 级：-50°C 至 +125°C 的工作温度范围
  - 人体模型 (HBM) 静电放电 (ESD) 组件分类等级 2
  - 充电器件模型 (CDM) ESD 组件分类等级 C5
- 可通过外部电阻在 -40°C 至 +150°C 温度范围内设置跳变温度，精度为  $\pm 2.3^\circ\text{C}$
- 电阻容差不会引入误差
- 推挽和开漏开关输出
- 宽工作温度范围：-50°C 至 160°C
- 超线性模拟  $V_{\text{TEMP}}$  温度传感器输出，-50°C 至 +150°C 温度范围内的精度为  $\pm 1.3^\circ\text{C}$
- 具有短路保护的模拟和数字输出
- 数字输出具有锁存功能
- TRIP-TEST 引脚支持系统内测试
- 低功耗特性最大程度减少自发热，使其低于  $0.02^\circ\text{C}$

### 2 应用范围

- 汽车用
- 井下设备和航空电子设备

### 3 说明

LM57-Q1 器件是一款具有模拟温度传感器输出的精密双路输出温度开关，适用于宽温度范围的应用（例如汽车级）。跳变温度 ( $T_{\text{TRIP}}$ ) 可从 -40°C 至 160°C  $V_{\text{TEMP}}$  是 AB 类模拟电压输出，该电压输出与温度成正比，负温度系数 (NTC) 可编程。两个外部 1% 电阻设置  $T_{\text{TRIP}}$  和  $V_{\text{TEMP}}$  斜率。数字和模拟输出具有保护功能，并且可监视系统过热事件。

内置的热滞后功能 ( $T_{\text{HYST}}$ ) 可防止数字输出发生振荡。 $T_{\text{OVER}}$  和  $\overline{T_{\text{OVER}}}$  数字输出将在芯片温度超过  $T_{\text{TRIP}}$  时置为有效，在芯片温度低于  $T_{\text{TRIP}}$  与  $T_{\text{HYST}}$  的差值时置为无效。

$T_{\text{OVER}}$  为高电平有效，并且采用推挽结构。 $\overline{T_{\text{OVER}}}$  为低电平有效，并且采用开漏结构。将  $T_{\text{OVER}}$  与 TRIP-TEST 相连，可在输出发生跳变后将其锁存。将 TRIP-TEST 强制为低电平可将输出清零。将 TRIP-TEST 驱动为高电平会将数字输出置为有效。处理器可检查  $T_{\text{OVER}}$  或  $\overline{T_{\text{OVER}}}$  的状态，从而确认它们是否已切换至激活状态。这样一来，便可以在系统装配后现场验证比较器和输出电路的功能。当 TRIP-TEST 为高电平时， $V_{\text{TEMP}}$  引脚为跳变基准电压。系统随后可使用该电压计算 LM57-Q1 的阈值。

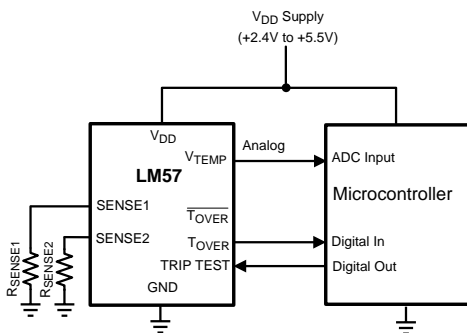
#### 器件信息 (1) (2)

器件型号	封装	封装尺寸 (标称值)
LM57-Q1	TSSOP (8)	3.00mm x 6.40mm

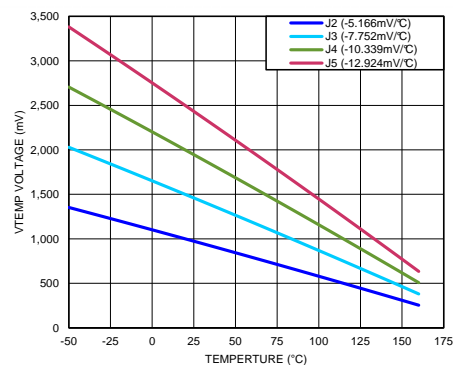
(1) 要了解所有可用封装，请见数据表末尾的可订购产品附录。

(2) 关于器件比较，请参见 [Device Comparison Table](#)。

#### LM57-Q1 过热报警



#### 温度传递函数



## 目录

<ul style="list-style-type: none"> <li><b>1 特性</b> ..... 1</li> <li><b>2 应用范围</b> ..... 1</li> <li><b>3 说明</b> ..... 1</li> <li><b>4 Device Comparison Table</b> ..... 3</li> <li><b>5 Pin Configuration and Functions</b> ..... 4</li> <li><b>6 Specifications</b> ..... 5           <ul style="list-style-type: none"> <li>6.1 Absolute Maximum Ratings ..... 5</li> <li>6.2 ESD Ratings ..... 5</li> <li>6.3 Recommended Operating Conditions ..... 5</li> <li>6.4 Thermal Information ..... 6</li> <li>6.5 Electrical Characteristics ..... 6</li> <li>6.6 Switching Characteristics ..... 9</li> <li>6.7 Typical Characteristics ..... 10</li> </ul> </li> <li><b>7 Detailed Description</b> ..... 12           <ul style="list-style-type: none"> <li>7.1 Overview ..... 12</li> <li>7.2 Functional Block Diagram ..... 12</li> <li>7.3 Feature Description ..... 13</li> </ul> </li> </ul>	<ul style="list-style-type: none"> <li>7.4 Device Functional Modes ..... 23</li> <li><b>8 Application and Implementation</b> ..... 26           <ul style="list-style-type: none"> <li>8.1 Application Information ..... 26</li> <li>8.2 Typical Application ..... 26</li> </ul> </li> <li><b>9 Power Supply Recommendations</b> ..... 28</li> <li><b>10 Layout</b> ..... 28           <ul style="list-style-type: none"> <li>10.1 Layout Guidelines ..... 28</li> <li>10.2 Layout Example ..... 29</li> <li>10.3 Temperature Considerations ..... 29</li> </ul> </li> <li><b>11 器件和文档支持</b> ..... 30           <ul style="list-style-type: none"> <li>11.1 文档支持 ..... 30</li> <li>11.2 社区资源 ..... 30</li> <li>11.3 商标 ..... 30</li> <li>11.4 静电放电警告 ..... 30</li> <li>11.5 Glossary ..... 30</li> </ul> </li> <li><b>12 机械、封装和可订购信息</b> ..... 30</li> </ul>
---	--

### Changes from Revision Initial Release (July 2015) to Revision A

**Page**

<ul style="list-style-type: none"> <li>• 已更改 特性要点汽车级说明并添加了汽车级和 ESD 分类说明 ..... 1</li> </ul>	1
--	---

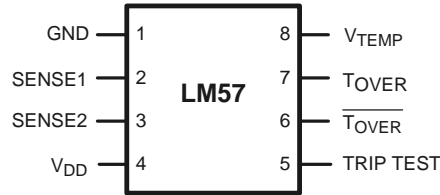
## 4 Device Comparison Table

ORDER NUMBER	PACKAGE	GRADE (TEMP RANGE)	V <sub>TEMP</sub> ACCURACY	TRIP POINT ACCURACY	HYSTERESIS
LM57BISD-5, LM57BISDX-5 <sup>(1)</sup>	WSON/SD/NGR /DFN (8)	Commercial (-50°C to 150°C)	±0.8°C	±1.5°C	5°C
LM57BISD-10, LM57BISDX-10 <sup>(1)</sup>	WSON/SD/NGR /DFN (8)	Commercial (-50°C to 150°C)	±0.8°C	±1.5°C	10°C
LM57CISD-5, LM57CISD-5 <sup>(1)</sup>	WSON/SD/NGR /DFN (8)	Commercial (-50°C to 150°C)	±1.3°C	±2.3°C	5°C
LM57CISD-10, LM57CISDX-10 <sup>(1)</sup>	WSON/SD/NGR /DFN (8)	Commercial (-50°C to 150°C)	±1.3°C	±2.3°C	10°C
LM57FPW, LM57FPWR <sup>(1)</sup>	PW/TSSOP (8)	Commercial (-50°C to 150°C)	±1.3°C	±2.3°C	5°C
LM57TPW, LM57TPWR <sup>(1)</sup>	PW/TSSOP (8)	Commercial (-50°C to 150°C)	±1.3°C	±2.3°C	10°C
LM57FSPWQ1, LM57FSPWRQ1	PW/TSSOP (8)	Automotive Grade 0 Extended (-50°C to 160°C)	±1.3°C	±2.3°C	5°C
LM57TSPWQ1, LM57TSPWRQ1	PW/TSSOP (8)	Automotive Grade 0 Extended (-50°C to 160°C)	±1.3°C	±2.3°C	10°C
LM57FEPWQ1, LM57FEPWRQ1	PW/TSSOP (8)	Automotive Grade 0 Standard (-50°C to 150°C)	±1.3°C	±2.3°C	5°C
LM57TEPWQ1, LM57TEPWRQ1	PW/TSSOP (8)	Automotive Grade 0 Standard (-50°C to 150°C)	±1.3°C	±2.3°C	10°C
LM57FQPWQ1, LM57FQPWRQ1	PW/TSSOP (8)	Automotive Grade 1 Standard (-50°C to 125°C)	±1.3°C	±2.3°C	5°C
LM57TQPWQ1, LM57TQPWRQ1	PW/TSSOP (8)	Automotive Grade 1 Standard (-50°C to 125°C)	±1.3°C	±2.3°C	10°C

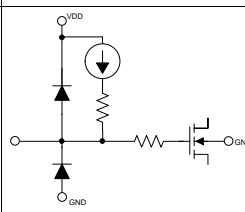
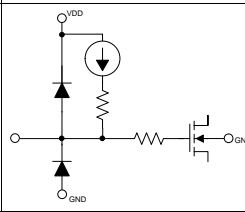
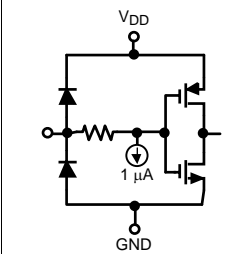
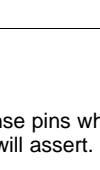
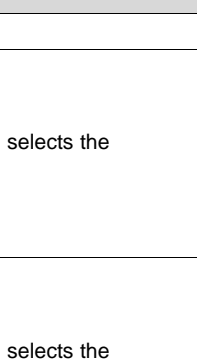
(1) For Commercial grade device complete datasheet see [LM57](#).

## 5 Pin Configuration and Functions

TSSOP/PW Package  
8-Pin  
Top View



Pin Functions

PIN		TYPE	EQUIVALENT CIRCUIT	DESCRIPTION
NAME	NO.			
GND	1	Ground	—	Power supply ground
SENSE1	2	—		Trip-point resistor sense. One of two sense pins which selects the temperature at which $T_{OVER}$ and $\overline{T_{OVER}}$ will assert.
SENSE2	3	—		Trip-point resistor sense. One of two sense pins which selects the temperature at which $T_{OVER}$ and $\overline{T_{OVER}}$ will assert.
V <sub>DD</sub>	4	Power	—	Supply voltage
TRIP TEST	5	Digital Input		TRIP TEST pin. Active High input. If TRIP TEST = 0 (default), then the $V_{TEMP}$ output has the analog temperature sensor output voltage. If TRIP TEST = 1, then $T_{OVER}$ and $\overline{T_{OVER}}$ outputs are asserted and $V_{TEMP} = V_{TRIP}$ , the temperature trip voltage. Tie this pin to ground if not used.
$\overline{T_{OVER}}$	6	Digital Output		Overtemperature switch output Active low, open-drain (see <a href="#">LM57-Q1 V<sub>TEMP</sub> Voltage-to-Temperature Equations</a> regarding required pullup resistor.) Asserted when the measured temperature exceeds the Trip Point Temperature or if TRIP TEST = 1 This pin may be left open if not used.
$T_{OVER}$	7	Digital Output		Overtemperature switch output Active high, push-pull Asserted when the measured temperature exceeds the trip point temperature or if TRIP TEST = 1 This pin may be left open if not used.

Pin Functions (continued)

PIN		TYPE	EQUIVALENT CIRCUIT	DESCRIPTION
NAME	NO.			
V <sub>TEMP</sub>	8	Analog Output		<p>V<sub>TEMP</sub> analog voltage output</p> <p>If TRIP TEST = 0, then V<sub>TEMP</sub> = V<sub>TS</sub>, temperature sensor output voltage</p> <p>If TRIP TEST = 1, then V<sub>TEMP</sub> = V<sub>TRIP</sub>, temperature trip voltage</p> <p>This pin may be left open if not used.</p>

6 Specifications

6.1 Absolute Maximum Ratings

over operating free-air temperature range (unless otherwise noted) <sup>(1)</sup> <sup>(2)</sup>

	MIN	MAX	UNIT
Supply voltage	-0.3	6	V
Voltage at $\overline{T_{OVER}}$	-0.3	6	V
Voltage at T <sub>OVER</sub> , V <sub>TEMP</sub> , TRIP-TEST, SENSE1, and SENSE2	-0.3	(V <sub>DD</sub> + 0.3 V)	V
Current at any pin		5	mA
Storage temperature for LM57FSPWQ1 and LM57TSPWQ1	-65	175	°C
Storage temperature for all LM57-Q1 except LM57FSPWQ1 and LM57TSPWQ1	-65	150	°C

- (1) Stresses beyond those listed under *Absolute Maximum Ratings* may cause permanent damage to the device. These are stress ratings only, which do not imply functional operation of the device at these or any other conditions beyond those indicated under *Recommended Operating Conditions*. Exposure to absolute-maximum-rated conditions for extended periods may affect device reliability.
- (2) Soldering process must comply with Reflow Temperature Profile specifications. Refer to [www.ti.com/packaging](http://www.ti.com/packaging).

6.2 ESD Ratings

		VALUE	UNIT
V <sub>(ESD)</sub>	Electrostatic discharge	Human-body model (HBM), per AEC Q100-002 <sup>(1)</sup>	±2000
		Charged-device model (CDM), per AEC Q100-011	±750

(1) AEC Q100-002 indicates that HBM stressing shall be in accordance with the ANSI/ESDA/JEDEC JS-001 specification.

6.3 Recommended Operating Conditions

		MIN	NOM	MAX	UNIT
<b>FOR ALL PARTS GRADE 0 AND GRADE 1 EXCEPT GRADE 0 EXTENDED (LM57FSPWQ1 and LM57TSPWQ1)</b>					
Supply voltage		2.4		5.5	V
Free air temperature range (T <sub>MIN</sub> ≤ T <sub>A</sub> ≤ T <sub>MAX</sub> )	LM57FEPWQ1, and LM57TEPWQ1	-50		150	°C
	LM57FQPWQ1, LM57TQPWQ1	-50		125	°C
<b>GRADE 0 EXTENDED (LM57FSPWQ1 AND LM57TSPWQ1)</b>					
Supply voltage		2.4		5.5	V
Free air temperature range (T <sub>MIN</sub> ≤ T <sub>A</sub> ≤ T <sub>MAX</sub> )	Temperature Profile for LM57-Q1 Automotive Grade 0 Extended <i>High Temperature Operational Life Test (HTOL) - Hours of Operation:</i> <sup>(1)</sup>				
	1700 hours at T <sub>J</sub> = T <sub>C</sub> = 160°C	-50		170	°C
	10 hours at T <sub>J</sub> = T <sub>C</sub> = 170°C				

(1) Except for HTOL testing, which was conducted as described, all other testing was to AEC-Q100 Grade 0 flow. Full details on reliability testing are available upon request.

## 6.4 Thermal Information

THERMAL METRIC <sup>(1)</sup>		LM57-Q1	
		PW (TSSOP)	
		8 PINS	
			UNIT
R <sub>θJA</sub>	Junction-to-ambient thermal resistance	183	°C/W
R <sub>θJC(top)</sub>	Junction-to-case (top) thermal resistance	66	°C/W
R <sub>θJB</sub>	Junction-to-board thermal resistance	111	°C/W
ψ <sub>JT</sub>	Junction-to-top characterization parameter	8	°C/W
ψ <sub>JB</sub>	Junction-to-board characterization parameter	110	°C/W
R <sub>θJC(bot)</sub>	Junction-to-case (bottom) thermal resistance	—	°C/W

(1) For more information about traditional and new thermal metrics, see the *Semiconductor and IC Package Thermal Metrics* application report, [SPRA953](#).

## 6.5 Electrical Characteristics

Unless otherwise noted, these specifications apply for V<sub>DD</sub> = 2.4 to 5.5 V and over free air temperature range. These limits do not include DC load regulation. These stated accuracy limits are with reference to the values in [Table 1](#).

PARAMETER	TEST CONDITIONS			MIN	TYP	MAX	UNIT
<b>TRIP POINT ACCURACY FOR ALL LM57-Q1 EXCEPT LM57FSPWQ1 AND LM57TSPWQ1</b>							
Trip Point Accuracy (Includes 1% set-resistor tolerance)	J2	T <sub>A</sub> = -41°C to 52°C	V <sub>DD</sub> = 2.4 V to 5.5 V			±2.3	°C
	J3	T <sub>A</sub> = 52°C to 97°C	V <sub>DD</sub> = 2.4 V to 5.5 V			±2.3	°C
	J4	T <sub>A</sub> = 97°C to 119°C	V <sub>DD</sub> = 2.4 V to 5.5 V			±2.3	°C
	J5	T <sub>A</sub> = 119°C to free air temperature max	V <sub>DD</sub> = 2.4 V to 5.5 V			±2.3	°C
<b>TRIP POINT ACCURACY FOR LM57-Q1 AUTOMOTIVE GRADE 0 EXTENDED (LM57FSPWQ1 and LM57TSPWQ1)</b>							
Trip point accuracy (Includes 1% set-resistor tolerance)	J2	T <sub>A</sub> = -41°C to 52°C	V <sub>DD</sub> = 2.4 V to 5.5 V			±2.3	°C
	J3	T <sub>A</sub> = 52°C to 97°C					
	J4	T <sub>A</sub> = 97°C to 119°C					
	J5	T <sub>A</sub> = 119°C to 160°C					
	J5	T <sub>A</sub> = 150°C to 160°C	V <sub>DD</sub> = 2.4 V to 5.5 V			±2.5	

## Electrical Characteristics (continued)

Unless otherwise noted, these specifications apply for  $V_{DD} = 2.4$  to  $5.5$  V and over free air temperature range. These limits do not include DC load regulation. These stated accuracy limits are with reference to the values in [Table 1](#).

PARAMETER	TEST CONDITIONS		MIN	TYP	MAX	UNIT	
<b><math>V_{TEMP}</math> ANALOG TEMPERATURE SENSOR OUTPUT ACCURACY FOR ALL LM57-Q1 EXCEPT LM57FSPWQ1 and LM57TSPWQ1</b>							
$V_{TEMP}$ Accuracy (These stated accuracy limits are with reference to the values in <a href="#">Table 1</a> , LM57-Q1 $V_{TEMP}$ Temperature-to-Voltage.)	J2	$T_A = -50^\circ\text{C}$ to free air temperature max	$V_{DD} = 2.4$ V to 5.5 V		$\pm 1.3$	$^\circ\text{C}$	
	J3	$T_A = -50^\circ\text{C}$ to free air temperature max	$V_{DD} = 2.4$ V to 5.5 V		$\pm 1.3$	$^\circ\text{C}$	
	J4	$T_A = 20^\circ\text{C}$ to $50^\circ\text{C}$	$V_{DD} = 2.4$ V to 5.5 V		$\pm 1.3$	$^\circ\text{C}$	
		$T_A = 0^\circ\text{C}$ to free air temperature max	$V_{DD} = 2.7$ V to 5.5 V		$\pm 1.3$		
		$T_A = -50^\circ\text{C}$ to $0^\circ\text{C}$	$V_{DD} = 3.1$ V to 5.5 V		$\pm 1.3$		
	J5	$T_A = 60^\circ\text{C}$ to free air temperature max	$V_{DD} = 2.4$ V to 5.5 V		$\pm 1.3$	$^\circ\text{C}$	
		$T_A = 20^\circ\text{C}$ to $50^\circ\text{C}$	$V_{DD} = 2.9$ V to 5.5 V		$\pm 1.3$		
		$T_A = 0^\circ\text{C}$ to free air temperature max	$V_{DD} = 3.2$ V to 5.5 V		$\pm 1.3$		
		$T_A = -50^\circ\text{C}$ to $0^\circ\text{C}$	$V_{DD} = 4$ V to 5.5 V		$\pm 1.3$		
	<b><math>V_{TEMP}</math> ANALOG TEMPERATURE SENSOR OUTPUT ACCURACY FOR LM57-Q1 AUTOMOTIVE GRADE 0 EXTENDED (LM57FSPWQ1 and LM57TSPWQ1)</b>						
	$V_{TEMP}$ accuracy (These stated accuracy limits are with reference to the values in <a href="#">Table 1</a> , LM57-Q1 $V_{TEMP}$ temperature-to-voltage.)	J2	$T_A = 150^\circ\text{C}$ to $160^\circ\text{C}$	$V_{DD} = 2.4$ V to 5.5 V		$\pm 1.5$	$^\circ\text{C}$
			$T_A = -50^\circ\text{C}$ to $150^\circ\text{C}$			$\pm 1.3$	
J3		$T_A = 150^\circ\text{C}$ to $160^\circ\text{C}$	$V_{DD} = 2.4$ V to 5.5 V		$\pm 1.5$	$^\circ\text{C}$	
		$T_A = -50^\circ\text{C}$ to $150^\circ\text{C}$			$\pm 1.3$		
J4		$T_A = 20^\circ\text{C}$ to $50^\circ\text{C}$	$V_{DD} = 2.4$ V to 5.5 V		$\pm 1.3$	$^\circ\text{C}$	
		$T_A = 0^\circ\text{C}$ to $150^\circ\text{C}$	$V_{DD} = 2.7$ V to 5.5 V		$\pm 1.3$		
		$T_A = 150^\circ\text{C}$ to $160^\circ\text{C}$	$V_{DD} = 2.7$ V to 5.5 V		$\pm 1.5$		
		$T_A = -50^\circ\text{C}$ to $0^\circ\text{C}$	$V_{DD} = 3.1$ V to 5.5 V		$\pm 1.3$		
J5		$T_A = 150^\circ\text{C}$ to $160^\circ\text{C}$	$V_{DD} = 2.4$ V to 5.5 V		$\pm 1.5$	$^\circ\text{C}$	
		$T_A = 60^\circ\text{C}$ to $150^\circ\text{C}$			$\pm 1.3$		
		$T_A = 20^\circ\text{C}$ to $50^\circ\text{C}$	$V_{DD} = 2.9$ V to 5.5 V		$\pm 1.3$		
		$T_A = 0^\circ\text{C}$ to $150^\circ\text{C}$	$V_{DD} = 3.2$ V to 5.5 V		$\pm 1.3$		
		$T_A = -50^\circ\text{C}$ to $0^\circ\text{C}$	$V_{DD} = 4$ V to 5.5 V		$\pm 1.3$		

## Electrical Characteristics (continued)

Unless otherwise noted, these specifications apply for  $V_{DD} = 2.4$  to  $5.5$  V and over free air temperature range. These limits do not include DC load regulation. These stated accuracy limits are with reference to the values in [Table 1](#).

PARAMETER		TEST CONDITIONS	MIN	TYP	MAX	UNIT
<b>OTHER TEMPERATURE SENSOR SPECIFICATIONS</b>						
$V_{TEMP}$ sensor gain	J2: $-50^{\circ}\text{C}$ to $52^{\circ}\text{C}$		-5.166			mV/ $^{\circ}\text{C}$
	J3: $52^{\circ}\text{C}$ to $97^{\circ}\text{C}$		-7.752			
	J4: $97^{\circ}\text{C}$ to $119^{\circ}\text{C}$		-10.339			
	J5: $119^{\circ}\text{C}$ to $160^{\circ}\text{C}$		-12.924			
Line regulation DC: supply-to- $V_{TEMP}$ <sup>(1)</sup>	Temp = $90^{\circ}\text{C}$		0.18			mV
			58			$\mu\text{V}/\text{V}$
			-84			dB
Load regulation: $V_{TEMP}$ output <sup>(2)</sup>	Source $\leq 240$ $\mu\text{A}$ , $(V_{DD} - V_{TEMP}) \geq 200$ mV; $T_A = -50^{\circ}\text{C}$ to $150^{\circ}\text{C}$		-1			mV
	Sink $\leq 300$ $\mu\text{A}$ , $V_{TEMP} \geq 360$ mV; $T_A = -50^{\circ}\text{C}$ to $150^{\circ}\text{C}$		1			
	Source or sink = $100$ $\mu\text{A}$ ; $T_A = -50^{\circ}\text{C}$ to $150^{\circ}\text{C}$		1			$\Omega$
Maximum Load capacitance: $V_{TEMP}$ output	No output series resistor required; (See <a href="#"><math>V_{TEMP}</math> Capacitive Loads</a> )		1100			pF
$I_S$ Supply current: quiescent <sup>(3)</sup>	for all LM57-Q1 for $T_A \leq 150^{\circ}\text{C}$		24		28	$\mu\text{A}$
	$T_A = 150^{\circ}\text{C}$ to $160^{\circ}\text{C}$ for LM57FSPWQ1 and LM57TSPWQ1		24		29	$\mu\text{A}$
	$T_A = 170^{\circ}\text{C}$ for LM57FSPWQ1 and LM57TSPWQ1		26			$\mu\text{A}$
<b>TRIP-TEST INPUT</b>						
$V_{IH}$ Logic 1 threshold voltage			$V_{DD} - 0.5$			V
$V_{IL}$ Logic 0 threshold voltage			0.5			V
$I_{IH}$ Logic 1 input current			1.4			$\mu\text{A}$
$I_{IL}$ Logic 0 input leakage current <sup>(4)</sup>	$T_A = -50^{\circ}\text{C}$ to $150^{\circ}\text{C}$		0.001			$\mu\text{A}$
<b><math>T_{OVER}</math> (PUSH-PULL, ACTIVE-HIGH) OUTPUT</b>						
$V_{OH}$ Logic 1 push-pull output voltage	Source $\leq 600$ $\mu\text{A}$		$V_{DD} - 0.2$			V
	Source $\leq 1.2$ mA		$V_{DD} - 0.45$			
$V_{OL}$ Logic 0 output voltage	Sink $\leq 600$ $\mu\text{A}$		0.2			V
	Sink $\leq 1.2$ mA		0.45			
<b><math>\bar{T}_{OVER}</math> (OPEN-DRAIN, ACTIVE-LOW) OUTPUT</b>						
$V_{OL}$ Logic 0 output voltage	Sink $\leq 600$ $\mu\text{A}$		0.2			V
	Sink $\leq 1.2$ mA		0.45			
$I_{OH}$ Logic 1 output leakage current <sup>(4)</sup>	Temperature = $30^{\circ}\text{C}$ ;		0.001			$\mu\text{A}$

- (1) Line regulation (DC) is calculated by subtracting the output voltage at the highest supply voltage from the output voltage at the lowest supply voltage. The typical DC line regulation specification does not include the output voltage shift discussed in  [\$V\_{TEMP}\$  Voltage Shift](#).
- (2) Source currents are flowing out of the LM57-Q1. Sink currents are flowing into the LM57-Q1. Load Regulation is calculated by measuring  $V_{TEMP}$  at  $0$   $\mu\text{A}$  and subtracting the value with the conditions specified.
- (3) Supply current refers to the quiescent current of the LM57-Q1 only and does not include any load current.
- (4) This current is leakage current only and is therefore highest at high temperatures. Prototype test indicate that the leakage is well below  $1$   $\mu\text{A}$  over the full temperature range. This  $1$   $\mu\text{A}$  specification reflects the limitations of measuring leakage at room temperature. For this reason only, the leakage current is not specified at a lower value.



### Electrical Characteristics (continued)

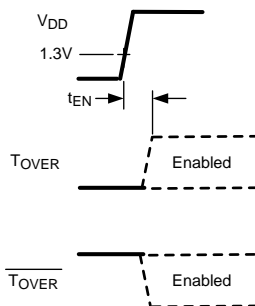
Unless otherwise noted, these specifications apply for  $V_{DD} = 2.4$  to  $5.5$  V and over free air temperature range. These limits do not include DC load regulation. These stated accuracy limits are with reference to the values in [Table 1](#).

PARAMETER	TEST CONDITIONS	MIN	TYP	MAX	UNIT
<b>HYSTERESIS</b>					
$T_{HYST}$ Hysteresis temperature	5°C hysteresis option (all LM57F for $T_A \leq 150^\circ\text{C}$ )	4.7	5	5.4	°C
	10°C hysteresis option (all LM57T for $T_A \leq 150^\circ\text{C}$ )	9.6	10	10.6	°C
	5°C hysteresis option (LM57FSPWQ1); $T_A = 150^\circ\text{C}$ to $160^\circ\text{C}$	4.6	5	5.4	°C
	10°C hysteresis option (LM57TSPWQ1); $T_A = 150^\circ\text{C}$ to $160^\circ\text{C}$	9.4	10	10.6	°C

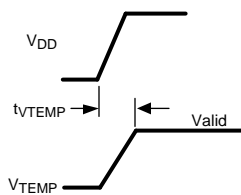
### 6.6 Switching Characteristics

Unless otherwise noted, these specifications apply for  $V_{DD} = 2.4$  to  $5.5$  V over the free air temperature range.

PARAMETER	TEST CONDITIONS	MIN	TYP	MAX	UNIT
$t_{EN}$	Maximum time from power on to digital output enabled		1.5		ms
$t_{VTEMP}$	Maximum time from power on to analog temperature ( $V_{TEMP}$ ) valid		1.5		ms



**Figure 1. Definition of  $t_{EN}$**



**Figure 2. Definition of  $t_{VTEMP}$**

### 6.7 Typical Characteristics

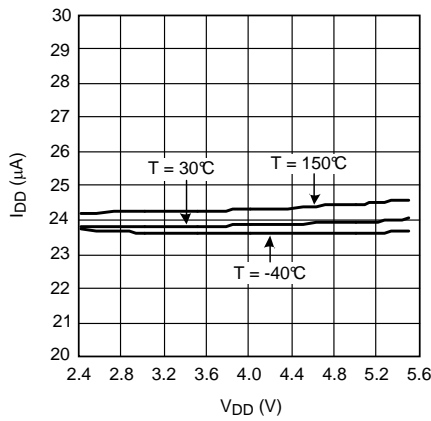


Figure 3. Supply Current vs Supply Voltage

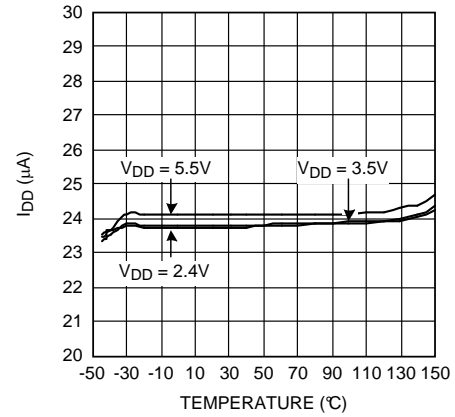


Figure 4. Supply Current vs Temperature

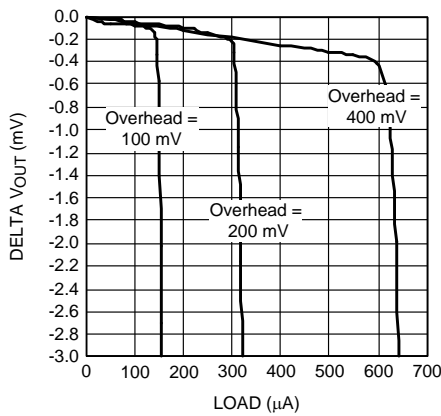


Figure 5. Load Regulation: Change In  $V_{TEMP}$  vs Source Current Overhead Is  $V_{DD}-V_{TEMP}$

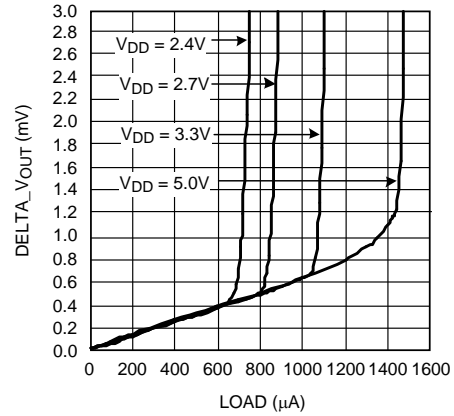


Figure 6. Load Regulation: Change In  $V_{TEMP}$  vs Sink Current

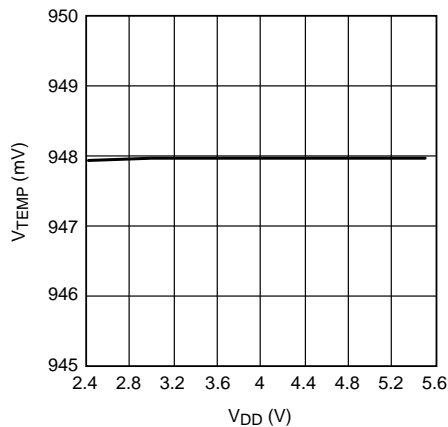


Figure 7. Line Regulation:  $V_{TEMP}$  vs Supply Voltage

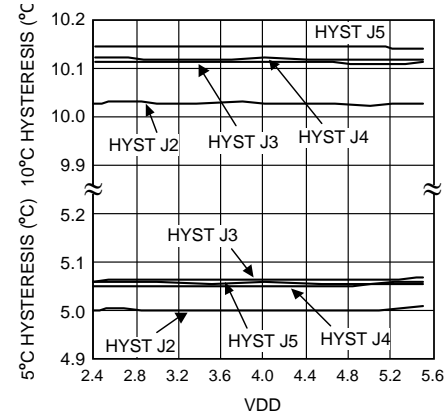


Figure 8. Line Regulation: Hysteresis vs Supply Voltage 30°C

Typical Characteristics (continued)

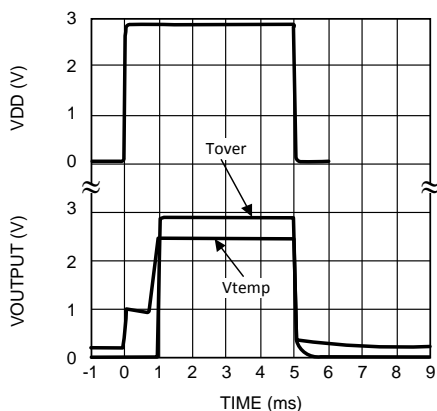


Figure 9. Start-Up Response

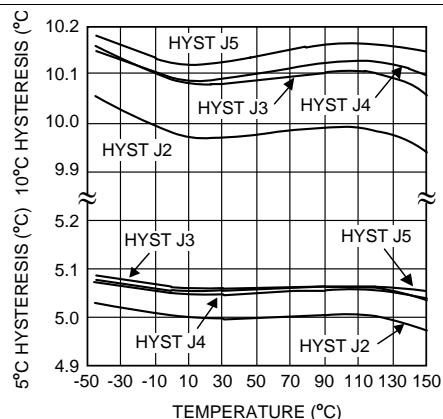


Figure 10. Hysteresis vs Temperature

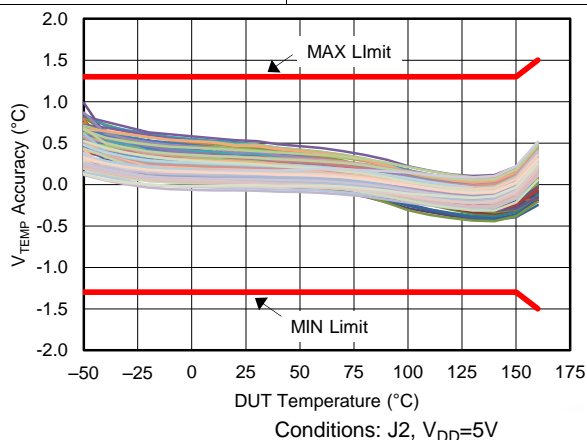


Figure 11. J2 Accuracy Specification Over Temperature

## 7 Detailed Description

### 7.1 Overview

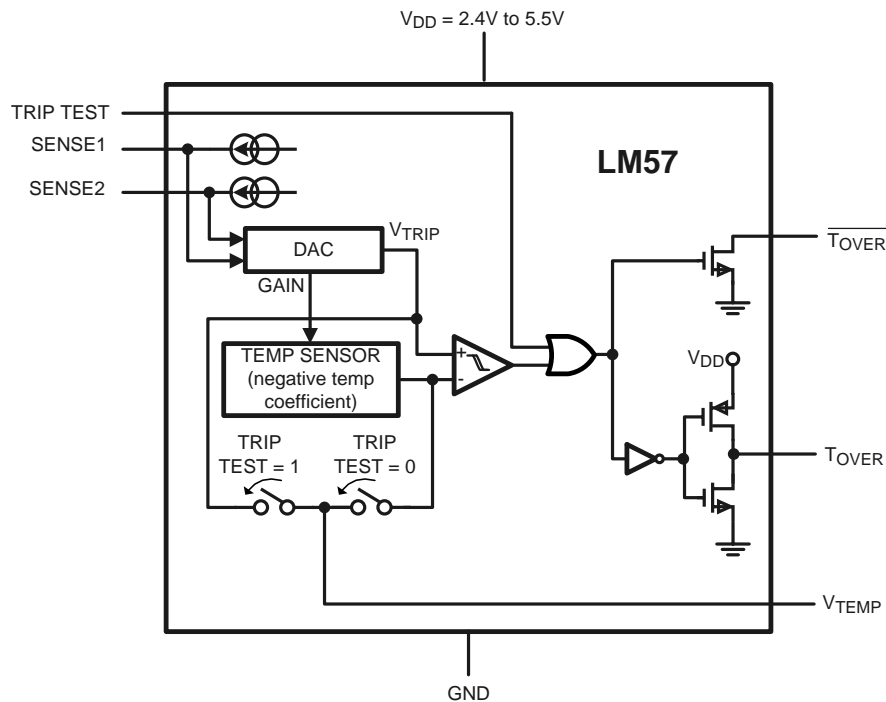
The LM57-Q1 is a precision, dual-output, temperature switch with analog temperature sensor output. The trip temperature ( $T_{TRIP}$ ) is selected from 256 possible values by using two external 1% resistors. The  $V_{TEMP}$  class AB analog output provides a voltage that is proportional to temperature. The LM57-Q1 includes an internal reference DAC, analog temperature sensor and analog comparator. The reference DAC is connected to one of the comparator inputs. The reference DAC output voltage ( $V_{TRIP}$ ) is controlled by the value of resistance applied to the SENSE pins. The resistance value sets one of 16 "logic" levels at the SENSE pins. These "logic" levels are then decoded and applied to the DAC input, thus the actual resistance tolerance does not directly affect the threshold level accuracy. The result of the reference DAC voltage and the temperature sensor output comparison is provided on two output pins  $\overline{T_{OVER}}$  and  $T_{OVER}$ .

The  $V_{TEMP}$  output has a programmable gain. The output gain has 4 possible settings as described in [Figure 12](#). The gain setting is dependent on the trip point selected by resistance applied to the SENSE pins.

Built-in temperature hysteresis ( $T_{HYST}$ ) prevents the digital outputs from oscillating. The  $T_{OVER}$  and  $\overline{T_{OVER}}$  will activate when the die temperature exceeds  $T_{TRIP}$  and will release when the temperature falls below a temperature equal to  $T_{TRIP}$  minus  $T_{HYST}$ .  $T_{OVER}$  is active-high with a push-pull structure.  $\overline{T_{OVER}}$ , is active-low with an open-drain structure. There are two different hysteresis options available that are factory preset. The preset hysteresis can be selected by purchasing the proper order number as described in [Device Comparison Table](#).

Driving the TRIP-TEST high will activate the digital outputs. A processor can check the logic level of the  $T_{OVER}$  or  $\overline{T_{OVER}}$ , confirming that they changed to their active state. This allows for system production testing verification that the comparator and output circuitry are functional after system assembly. When the TRIP-TEST pin is high, the trip-level reference voltage appears at the  $V_{TEMP}$  pin. Tying  $T_{OVER}$  to TRIP-TEST will latch the output after it trips. It can be cleared by forcing TRIP-TEST low or powering off the LM57-Q1.

### 7.2 Functional Block Diagram



### 7.3 Feature Description

#### 7.3.1 LM57-Q1 $V_{TEMP}$ Temperature-to-Voltage Transfer Function

The value of the  $R_{SENSE}$  resistors select a trip point and a corresponding  $V_{TEMP}$  gain (J2, J3, J4, or J5). The trip point range associated with a given gain is shown in bold green or bold red italics in Table 1. Temperatures above 150°C apply to the LM57FSPWQ1 and LM57TSPWQ1 only and are highlighted in red and italics in Table 1. The  $V_{TEMP}$  gain is selected by the  $R_{SENSE}$  resistors.  $V_{TEMP}$  is valid over the entire temperature range. The  $V_{TEMP}$  gain is selected by the  $R_{SENSE}$  resistors.  $V_{TEMP}$  is valid over the entire temperature range.

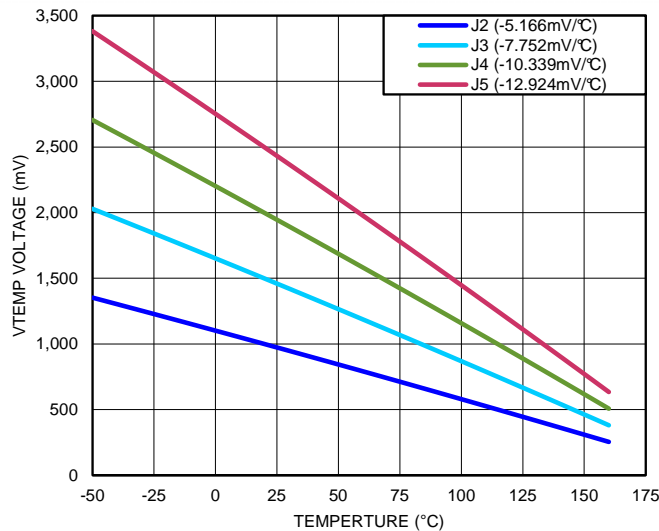


Figure 12. Temperature Transfer Characteristics

Table 1. LM57-Q1  $V_{TEMP}$  Temperature to Voltage <sup>(1)</sup>

Temperature (°C)	$V_{TEMP}$ VOLTAGE (mV)			
	J2 (-5.166 mV/°C)	J3 (-7.752 mV/°C)	J4 (-10.339 mV/°C)	J5 (-12.924 mV/°C)
-50	1352.56	2028.80	2705.20	3381.40
-49	1347.60	2021.35	2695.26	3368.98
-48	1342.64	2013.90	2685.32	3356.55
-47	1337.67	2006.44	2675.38	3344.12
-46	1332.70	1998.98	2665.43	3331.68
-45	1327.73	1991.52	2655.47	3319.23
-44	1322.76	1984.05	2645.51	3306.78
-43	1317.78	1976.58	2635.54	3294.32
-42	1312.81	1969.11	2625.57	3281.85
-41	<b>1307.82</b>	1961.63	2615.60	3269.38
-40	<b>1302.84</b>	1954.15	2605.62	3256.90
-39	<b>1297.86</b>	1946.66	2595.63	3244.41
-38	<b>1292.87</b>	1939.17	2585.64	3231.92
-37	<b>1287.88</b>	1931.68	2575.64	3219.42
-36	<b>1282.88</b>	1924.18	2565.64	3206.92
-35	<b>1277.89</b>	1916.68	2555.63	3194.41
-34	<b>1272.89</b>	1909.17	2545.62	3181.89

(1) The  $R_{SENSE}$  resistors select a trip point and a corresponding  $V_{TEMP}$  gain (J2, J3, J4, or J5). The trip point range associated with a given gain is shown in bold green or bold red on this table. Temperatures above 150°C apply to the LM57FSPWQ1 and LM57TSPWQ1 only and are italicized and highlighted in red. The  $V_{TEMP}$  gain is selected by the  $R_{SENSE}$  resistors.  $V_{TEMP}$  is valid over the entire temperature range.

**Feature Description (continued)**
**Table 1. LM57-Q1  $V_{TEMP}$  Temperature to Voltage <sup>(1)</sup> (continued)**

Temperature (°C)	$V_{TEMP}$ VOLTAGE (mV)			
	J2 (-5.166 mV/°C)	J3 (-7.752 mV/°C)	J4 (-10.339 mV/°C)	J5 (-12.924 mV/°C)
-33	<b>1267.88</b>	1901.66	2535.60	3169.37
-32	<b>1262.88</b>	1894.15	2525.58	3156.84
-31	<b>1257.87</b>	1886.63	2515.56	3144.30
-30	<b>1252.86</b>	1879.11	2505.52	3131.76
-29	<b>1247.85</b>	1871.59	2495.49	3119.21
-28	<b>1242.84</b>	1864.06	2485.44	3106.66
-27	<b>1237.82</b>	1856.53	2475.40	3094.10
-26	<b>1232.80</b>	1848.99	2465.34	3081.53
-25	<b>1227.78</b>	1841.45	2455.29	3068.96
-24	<b>1222.75</b>	1833.91	2445.23	3056.38
-23	<b>1217.73</b>	1826.36	2435.16	3043.79
-22	<b>1212.70</b>	1818.81	2425.09	3031.20
-21	<b>1207.67</b>	1811.26	2415.01	3018.60
-20	<b>1202.63</b>	1803.70	2404.93	3006.00
-19	<b>1197.59</b>	1796.13	2394.84	2993.38
-18	<b>1192.55</b>	1788.57	2384.74	2980.77
-17	<b>1187.51</b>	1781.00	2374.65	2968.14
-16	<b>1182.46</b>	1773.42	2364.54	2955.51
-15	<b>1177.42</b>	1765.85	2354.44	2942.87
-14	<b>1172.37</b>	1758.26	2344.32	2930.23
-13	<b>1167.31</b>	1750.68	2334.20	2917.58
-12	<b>1162.26</b>	1743.09	2324.08	2904.93
-11	<b>1157.20</b>	1735.50	2313.95	2892.26
-10	<b>1152.14</b>	1727.90	2303.82	2879.60
-9	<b>1147.07</b>	1720.30	2293.68	2866.92
-8	<b>1142.01</b>	1712.69	2283.54	2854.24
-7	<b>1136.94</b>	1705.09	2273.39	2841.55
-6	<b>1131.87</b>	1697.47	2263.24	2828.86
-5	<b>1126.79</b>	1689.86	2253.08	2816.16
-4	<b>1121.72</b>	1682.24	2242.91	2803.45
-3	<b>1116.64</b>	1674.61	2232.74	2790.74
-2	<b>1111.56</b>	1666.99	2222.57	2778.02
-1	<b>1106.47</b>	1659.35	2212.39	2765.30
0	<b>1101.39</b>	1651.72	2202.21	2752.57
1	<b>1096.30</b>	1644.08	2192.02	2739.83
2	<b>1091.20</b>	1636.44	2181.82	2727.08
3	<b>1086.11</b>	1628.79	2171.62	2714.33
4	<b>1081.01</b>	1621.14	2161.42	2701.58
5	<b>1075.91</b>	1613.48	2151.21	2688.82
6	<b>1070.81</b>	1605.83	2141.00	2676.05
7	<b>1065.71</b>	1598.16	2130.78	2663.27
8	<b>1060.60</b>	1590.50	2120.55	2650.49
9	<b>1055.49</b>	1582.83	2110.32	2637.70
10	<b>1050.38</b>	1575.15	2100.09	2624.91
11	<b>1045.26</b>	1567.48	2089.85	2612.10

**Feature Description (continued)**
**Table 1. LM57-Q1  $V_{TEMP}$  Temperature to Voltage <sup>(1)</sup> (continued)**

Temperature (°C)	$V_{TEMP}$ VOLTAGE (mV)			
	J2 (-5.166 mV/°C)	J3 (-7.752 mV/°C)	J4 (-10.339 mV/°C)	J5 (-12.924 mV/°C)
12	<b>1040.14</b>	1559.80	2079.60	2599.30
13	<b>1035.02</b>	1552.11	2069.35	2586.48
14	<b>1029.90</b>	1544.42	2059.10	2573.66
15	<b>1024.77</b>	1536.73	2048.84	2560.84
16	<b>1019.65</b>	1529.03	2038.57	2548.01
17	<b>1014.51</b>	1521.33	2028.30	2535.17
18	<b>1009.38</b>	1513.63	2018.03	2522.32
19	<b>1004.25</b>	1505.92	2007.75	2509.47
20	<b>999.11</b>	1498.21	1997.46	2496.61
21	<b>993.97</b>	1490.49	1987.17	2483.75
22	<b>988.82</b>	1482.77	1976.88	2470.88
23	<b>983.68</b>	1475.05	1966.58	2458.00
24	<b>978.53</b>	1467.32	1956.27	2445.12
25	<b>973.38</b>	1459.59	1945.96	2432.23
26	<b>968.22</b>	1451.86	1935.64	2419.34
27	<b>963.07</b>	1444.12	1925.32	2406.43
28	<b>957.91</b>	1436.38	1915.00	2393.53
29	<b>952.74</b>	1428.63	1904.67	2380.61
30	<b>947.58</b>	1420.88	1894.33	2367.69
31	<b>942.41</b>	1413.13	1883.99	2354.76
32	<b>937.24</b>	1405.37	1873.64	2341.83
33	<b>932.07</b>	1397.61	1863.29	2328.89
34	<b>926.90</b>	1389.84	1852.94	2315.94
35	<b>921.72</b>	1382.07	1842.57	2302.99
36	<b>916.54</b>	1374.30	1832.21	2290.03
37	<b>911.36</b>	1366.52	1821.84	2277.07
38	<b>906.17</b>	1358.74	1811.46	2264.10
39	<b>900.98</b>	1350.96	1801.08	2251.12
40	<b>895.79</b>	1343.17	1790.69	2238.14
41	<b>890.60</b>	1335.38	1780.30	2225.15
42	<b>885.41</b>	1327.58	1769.90	2212.15
43	<b>880.21</b>	1319.78	1759.50	2199.15
44	<b>875.01</b>	1311.98	1749.09	2186.14
45	<b>869.81</b>	1304.17	1738.68	2173.12
46	<b>864.60</b>	1296.36	1728.26	2160.10
47	<b>859.39</b>	1288.54	1717.84	2147.07
48	<b>854.18</b>	1280.72	1707.41	2134.04
49	<b>848.97</b>	1272.90	1696.98	2121.00
50	<b>843.75</b>	1265.07	1686.54	2107.95
51	<b>838.53</b>	1257.24	1676.10	2094.90
52	<b>833.31</b>	1249.41	1665.65	2081.84
53	828.09	<b>1241.57</b>	1655.20	2068.77
54	822.86	<b>1233.73</b>	1644.74	2055.70
55	817.63	<b>1225.88</b>	1634.28	2042.62
56	812.40	<b>1218.03</b>	1623.81	2029.54

**Feature Description (continued)**
**Table 1. LM57-Q1  $V_{TEMP}$  Temperature to Voltage <sup>(1)</sup> (continued)**

Temperature (°C)	$V_{TEMP}$ VOLTAGE (mV)			
	J2 (-5.166 mV/°C)	J3 (-7.752 mV/°C)	J4 (-10.339 mV/°C)	J5 (-12.924 mV/°C)
57	807.17	<b>1210.18</b>	1613.34	2016.44
58	801.93	<b>1202.32</b>	1602.86	2003.35
59	796.69	<b>1194.46</b>	1592.38	1990.24
60	791.45	<b>1186.60</b>	1581.89	1977.13
61	786.20	<b>1178.73</b>	1571.40	1964.02
62	780.96	<b>1170.86</b>	1560.90	1950.89
63	775.71	<b>1162.98</b>	1550.40	1937.76
64	770.46	<b>1155.10</b>	1539.89	1924.63
65	765.20	<b>1147.22</b>	1529.37	1911.49
66	759.94	<b>1139.33</b>	1518.86	1898.34
67	754.68	<b>1131.44</b>	1508.33	1885.19
68	749.42	<b>1123.54</b>	1497.80	1872.02
69	744.16	<b>1115.64</b>	1487.27	1858.86
70	738.89	<b>1107.74</b>	1476.73	1845.68
71	733.62	<b>1099.83</b>	1466.19	1832.50
72	728.35	<b>1091.92</b>	1455.64	1819.32
73	723.07	<b>1084.01</b>	1445.08	1806.13
74	717.79	<b>1076.09</b>	1434.53	1792.93
75	712.51	<b>1068.17</b>	1423.96	1779.72
76	707.23	<b>1060.24</b>	1413.39	1766.51
77	701.94	<b>1052.31</b>	1402.82	1753.30
78	696.65	<b>1044.38</b>	1392.24	1740.07
79	691.36	<b>1036.44</b>	1381.65	1726.84
80	686.07	<b>1028.50</b>	1371.07	1713.61
81	680.77	<b>1020.55</b>	1360.47	1700.36
82	675.48	<b>1012.60</b>	1349.87	1687.11
83	670.17	<b>1004.65</b>	1339.27	1673.86
84	664.87	<b>996.69</b>	1328.66	1660.60
85	659.56	<b>988.73</b>	1318.04	1647.33
86	654.25	<b>980.77</b>	1307.42	1634.05
87	648.94	<b>972.80</b>	1296.80	1620.77
88	643.63	<b>964.83</b>	1286.17	1607.49
89	638.31	<b>956.85</b>	1275.53	1594.19
90	632.99	<b>948.87</b>	1264.89	1580.89
91	627.67	<b>940.89</b>	1254.25	1567.59
92	622.35	<b>932.90</b>	1243.60	1554.28
93	617.02	<b>924.91</b>	1232.94	1540.96
94	611.69	<b>916.92</b>	1222.28	1527.63
95	606.36	<b>908.92</b>	1211.61	1514.30
96	601.02	<b>900.91</b>	1200.94	1500.97
97	595.69	892.91	<b>1190.27</b>	1487.62
98	590.34	884.90	<b>1179.59</b>	1474.27
99	585.00	876.88	<b>1168.90</b>	1460.92
100	579.66	868.87	<b>1158.21</b>	1447.55
101	574.31	860.84	<b>1147.52</b>	1434.18



**Feature Description (continued)**
**Table 1. LM57-Q1  $V_{TEMP}$  Temperature to Voltage <sup>(1)</sup> (continued)**

Temperature (°C)	$V_{TEMP}$ VOLTAGE (mV)			
	J2 (-5.166 mV/°C)	J3 (-7.752 mV/°C)	J4 (-10.339 mV/°C)	J5 (-12.924 mV/°C)
102	568.96	852.82	<b>1136.81</b>	1420.81
103	563.61	844.79	<b>1126.11</b>	1407.43
104	558.25	836.76	<b>1115.40</b>	1394.04
105	552.89	828.72	<b>1104.68</b>	1380.65
106	547.53	820.68	<b>1093.96</b>	1367.24
107	542.17	812.63	<b>1083.23</b>	1353.84
108	536.80	804.59	<b>1072.50</b>	1340.42
109	531.43	796.53	<b>1061.77</b>	1327.01
110	526.06	788.48	<b>1051.02</b>	1313.58
111	520.69	780.42	<b>1040.28</b>	1300.15
112	515.31	772.35	<b>1029.53</b>	1286.71
113	509.93	764.29	<b>1018.77</b>	1273.26
114	504.55	756.21	<b>1008.01</b>	1259.81
115	499.17	748.14	<b>997.24</b>	1246.36
116	493.78	740.06	<b>986.47</b>	1232.89
117	488.39	731.98	<b>975.69</b>	1219.42
118	483.00	723.89	<b>964.91</b>	1205.95
119	477.61	715.80	<b>954.12</b>	1192.46
120	472.21	707.70	943.33	<b>1178.98</b>
121	466.81	699.61	932.53	<b>1165.48</b>
122	461.41	691.50	921.73	<b>1151.98</b>
123	456.00	683.40	910.92	<b>1138.47</b>
124	450.60	675.29	900.11	<b>1124.96</b>
125	445.19	667.18	889.29	<b>1111.44</b>
126	439.78	659.06	878.47	<b>1097.91</b>
127	434.36	650.94	867.64	<b>1084.38</b>
128	428.94	642.81	856.81	<b>1070.84</b>
129	423.52	634.68	845.97	<b>1057.29</b>
130	418.10	626.55	835.13	<b>1043.74</b>
131	412.67	618.41	824.28	<b>1030.18</b>
132	407.25	610.27	813.43	<b>1016.62</b>
133	401.82	602.13	802.57	<b>1003.05</b>
134	396.38	593.98	791.71	<b>989.47</b>
135	390.95	585.83	780.84	<b>975.89</b>
136	385.51	577.67	769.97	<b>962.30</b>
137	380.07	569.51	759.09	<b>948.70</b>
138	374.63	561.35	748.20	<b>935.10</b>
139	369.18	553.18	737.32	<b>921.49</b>
140	363.73	545.01	726.42	<b>907.87</b>
141	358.28	536.84	715.52	<b>894.25</b>
142	352.83	528.66	704.62	<b>880.62</b>
143	347.37	520.48	693.71	<b>866.99</b>
144	341.91	512.29	682.80	<b>853.35</b>
145	336.45	504.10	671.88	<b>839.70</b>
146	330.99	495.91	660.95	<b>826.05</b>

**Feature Description (continued)**
**Table 1. LM57-Q1  $V_{TEMP}$  Temperature to Voltage <sup>(1)</sup> (continued)**

Temperature (°C)	$V_{TEMP}$ VOLTAGE (mV)			
	J2 (-5.166 mV/°C)	J3 (-7.752 mV/°C)	J4 (-10.339 mV/°C)	J5 (-12.924 mV/°C)
147	325.52	487.71	650.03	<b>812.39</b>
148	320.05	479.51	639.09	<b>798.73</b>
149	314.58	471.30	628.15	<b>785.05</b>
150	309.10	463.09	617.21	<b>771.38</b>
151	<i>303.63</i>	<i>454.88</i>	<i>606.26</i>	<b>757.69</b>
152	<i>298.15</i>	<i>446.66</i>	<i>595.30</i>	<b>744.00</b>
153	<i>292.66</i>	<i>438.44</i>	<i>584.35</i>	<b>730.30</b>
154	<i>287.18</i>	<i>430.22</i>	<i>573.38</i>	<b>716.60</b>
155	<i>281.69</i>	<i>421.99</i>	<i>562.41</i>	<b>702.89</b>
156	<i>276.20</i>	<i>413.76</i>	<i>551.44</i>	<b>689.17</b>
157	<i>270.71</i>	<i>405.52</i>	<i>540.46</i>	<b>675.45</b>
158	<i>265.22</i>	<i>397.28</i>	<i>529.47</i>	<b>661.72</b>
159	<i>259.72</i>	<i>389.04</i>	<i>518.48</i>	<b>647.99</b>
160	<i>254.22</i>	<i>380.79</i>	<i>507.49</i>	<b>634.25</b>
161	<i>248.71</i>	<i>372.54</i>	<i>496.49</i>	<b>620.50</b>
162	<i>243.21</i>	<i>364.28</i>	<i>485.48</i>	606.75
163	<i>237.70</i>	<i>356.02</i>	<i>474.47</i>	592.98
164	<i>232.19</i>	<i>347.76</i>	<i>463.46</i>	579.22
165	<i>226.68</i>	<i>339.50</i>	<i>452.44</i>	565.45
166	<i>221.16</i>	<i>331.23</i>	<i>441.41</i>	551.67
167	<i>215.64</i>	<i>322.95</i>	<i>430.38</i>	537.88
168	<i>210.12</i>	<i>314.67</i>	<i>419.35</i>	524.09
169	<i>204.60</i>	<i>306.39</i>	<i>408.31</i>	510.29
170	<i>199.07</i>	<i>298.11</i>	<i>397.26</i>	494.59
171	<i>193.54</i>	<i>289.82</i>	<i>386.21</i>	480.52
172	<i>188.01</i>	<i>281.52</i>	<i>375.15</i>	466.44
173	<i>182.48</i>	<i>273.23</i>	<i>364.09</i>	452.36
174	<i>176.94</i>	<i>264.92</i>	<i>353.03</i>	438.27
175	<i>171.40</i>	<i>256.62</i>	<i>341.96</i>	424.17

**7.3.1.1 LM57-Q1  $V_{TEMP}$  Voltage-to-Temperature Equations**

$$V_{TEMP} = a(T-30)^2 + b(T-30) + c$$

where

- $V_{TEMP}$  is in mV and T is in °C (1)

$$T = \frac{-b - \sqrt{b^2 - 4a(c - V_{TEMP})}}{2a} + 30^{\circ}\text{C}$$

where

- T is in °C and  $V_{TEMP}$  is in mV (2)

**Table 2. LM57-Q1  $V_{TEMP}$  Voltage-to-Temperature Equations Coefficients**

Trip-Point Region	LM57-Q1 Trip Point Range	a	b	c
J2	-41°C to 52°C	- 0.00129	- 5.166	947.6
J3	52°C to 97°C	- 0.00191	- 7.752	1420.9
J4	97°C to 119°C	- 0.00253	- 10.339	1894.3
J5	119°C to 160°C	- 0.00316	- 12.924	2367.7

**7.3.2  $R_{SENSE}$** 

The LM57-Q1 uses the voltage at the two SENSE pins to set the trip point for the temperature switch. It is possible to drive the two SENSE pins with a voltage equal to the value generated by the resistor and the internal current-source and have the same switch point. Thus one can use an external DAC to drive each SENSE pin, allowing for the temperature trip point to be set dynamically by the system processor. Table 3 shows the  $R_{SENSE}$  value and its corresponding generated SENSE pin voltage (the center value).

**Table 3.  $R_{SENSE}$  Values (k $\Omega$ ) vs SENSE Pin Voltage (mV)**

$R_{SENSE}$ (k $\Omega$ )	SENSE Pin Voltage (mV)
	Center Value
976	1875
825	1585
698	1341
590	1134
499	959
412	792
340	653
280	538
226	434
178	342
140	269
105	202
75	146
46.4	87
22.6	43
0.01	0

**7.3.3 Resistor Selection**
**Table 4. Trip Point (°C) vs Sense Resistor ( $R_{SENSE}$ ) Values ( $\Omega$ ) <sup>(1)</sup>**

		$R_{SENSE2}$													
		J2 <sup>(2)</sup>				J3 <sup>(2)</sup>			J4 <sup>(2)</sup>		J5				
		976 k $\Omega$	825 k $\Omega$	698 k $\Omega$	590 k $\Omega$	499 k $\Omega$	412 k $\Omega$	340 k $\Omega$	280 k $\Omega$	226 k $\Omega$	178 k $\Omega$	140 k $\Omega$	105 k $\Omega$	75 k $\Omega$	46.4 k $\Omega$
$R_{SENSE1}$	<b>976 k<math>\Omega</math></b>	-40.68	-16.26	7.33	30.38	52.73	67.77	82.74	97.47	108.61	119.62	128.46	137.28	146.08	<b>154.77</b>
	<b>825 k<math>\Omega</math></b>	-39.13	-14.76	8.79	31.81	53.68	68.71	83.67	98.17	109.30	120.18	129.01	137.83	146.62	<b>155.31</b>
	<b>698 k<math>\Omega</math></b>	-37.57	-13.27	10.24	33.24	54.62	69.65	84.60	98.86	110.00	120.73	129.56	138.38	147.16	<b>155.85</b>
	<b>590 k<math>\Omega</math></b>	-36.03	-11.78	11.70	34.67	55.56	70.59	85.53	99.56	110.70	121.28	130.12	138.93	147.71	<b>156.39</b>
	<b>499 k<math>\Omega</math></b>	-34.49	-10.29	13.15	36.10	56.50	71.52	86.46	100.25	111.39	121.84	130.67	139.49	148.25	<b>156.93</b>
	<b>412 k<math>\Omega</math></b>	-32.95	-8.81	14.60	37.53	57.44	72.46	87.40	100.95	112.09	122.39	131.22	140.04	148.80	<b>157.46</b>
	<b>340 k<math>\Omega</math></b>	-31.41	-7.32	16.05	38.95	58.39	73.40	88.33	101.64	112.79	122.94	131.77	140.59	149.34	<b>158.00</b>
	<b>280 k<math>\Omega</math></b>	-29.88	-5.83	17.49	40.38	59.33	74.33	89.26	102.34	113.48	123.50	132.32	141.14	149.88	<b>158.54</b>
	<b>226 k<math>\Omega</math></b>	-28.34	-4.35	18.93	41.81	60.27	75.27	90.19	103.03	114.18	124.05	132.87	141.69	150.43	<b>159.08</b>
	<b>178 k<math>\Omega</math></b>	-26.83	-2.88	20.36	43.23	61.21	76.20	91.12	103.73	114.87	124.60	133.43	142.24	<b>150.97</b>	<b>159.62</b>
	<b>140 k<math>\Omega</math></b>	-25.32	-1.42	21.79	44.65	62.15	77.14	92.05	104.42	115.57	125.15	133.98	142.79	<b>151.51</b>	<b>160.16</b>
	<b>105 k<math>\Omega</math></b>	-23.80	0.04	23.22	46.07	63.08	78.07	92.99	105.11	116.26	125.71	134.53	143.34	<b>152.06</b>	
	<b>75 k<math>\Omega</math></b>	-22.29	1.50	24.65	47.50	64.02	79.01	93.92	105.81	116.95	126.26	135.08	143.89	<b>152.60</b>	
	<b>46.4 k<math>\Omega</math></b>	-20.77	2.96	26.08	48.92	64.96	79.94	94.84	106.50	117.65	126.81	135.63	144.44	<b>153.14</b>	
<b>22.6 k<math>\Omega</math></b>	-19.26	4.42	27.51	50.33	65.90	80.87	95.77	107.19	118.34	127.36	136.18	144.99	<b>153.68</b>		
<b>0.01 k<math>\Omega</math></b>	-17.75	5.88	28.94	51.75	66.84	81.81	96.70	107.89	119.04	127.91	136.73	145.54	<b>154.23</b>		

(1) Temperatures above 150°C apply to the LM57FSPWQ1 and LM57TSPWQ1 only and are italicized.

(2) There are four gains corresponding to each of the four Temperature Trip Point Ranges:

J2 (-5.166 mV/°C) is the temperature sensor output gain used for Temperature Trip Points -40.68°C to 51.8°C.

J3 (-7.752 mV/°C) is for Trip Points 52°C to 97°C.

J4 (-10.339 mV/°C) for 97°C to 119°C.

J5 (-12.924 mV/°C) for 119°C to 160°C.

**Table 5.  $V_{TEMP}$  (mV) at the Trip Point vs Sense Resistor ( $R_{SENSE}$ ) Value ( $\Omega$ ) <sup>(1)</sup>**

		$R_{SENSE2}$													
		J2 <sup>(2)</sup>				J3 <sup>(2)</sup>			J4 <sup>(2)</sup>		J5 <sup>(2)</sup>				
		976 k $\Omega$	825 k $\Omega$	698 k $\Omega$	590 k $\Omega$	499 k $\Omega$	412 k $\Omega$	340 k $\Omega$	280 k $\Omega$	226 k $\Omega$	178 k $\Omega$	140 k $\Omega$	105 k $\Omega$	75 k $\Omega$	46.4 k $\Omega$
$R_{SENSE1}$	<b>976 k<math>\Omega</math></b>	1306.23	1183.77	1064.00	945.63	1243.67	1125.34	1006.75	1185.27	1066.00	1184.05	1064.59	944.83	824.96	<b>705.99</b>
	<b>825 k<math>\Omega</math></b>	1298.50	1176.23	1056.56	938.23	1236.27	1117.93	999.34	1177.83	1058.52	1176.57	1057.10	937.33	817.53	<b>698.60</b>
	<b>698 k<math>\Omega</math></b>	1290.72	1168.70	1049.13	930.83	1228.88	1110.52	991.92	1170.40	1051.03	1169.10	1049.62	929.83	810.09	<b>691.20</b>
	<b>590 k<math>\Omega</math></b>	1283.03	1161.16	1041.69	923.43	1221.48	1103.10	984.51	1162.96	1043.55	1161.63	1042.13	922.33	802.66	<b>683.81</b>
	<b>499 k<math>\Omega</math></b>	1275.33	1153.62	1034.26	916.02	1214.09	1095.69	977.09	1155.52	1036.07	1154.16	1034.65	914.83	795.22	<b>676.41</b>
	<b>412 k<math>\Omega</math></b>	1267.64	1146.09	1026.82	908.62	1206.69	1088.28	969.66	1148.09	1028.59	1146.68	1027.16	907.33	787.78	<b>669.02</b>
	<b>340 k<math>\Omega</math></b>	1259.94	1138.55	1019.38	901.22	1199.30	1080.87	962.22	1140.65	1021.10	1139.21	1019.67	899.83	780.35	<b>661.62</b>
	<b>280 k<math>\Omega</math></b>	1252.25	1131.02	1011.99	893.82	1191.90	1073.45	954.78	1133.22	1013.62	1131.74	1012.19	892.33	772.91	<b>654.22</b>
	<b>226 k<math>\Omega</math></b>	1244.55	1123.48	1004.62	886.42	1184.50	1066.04	947.35	1125.78	1006.14	1124.27	1004.70	884.83	765.48	<b>646.83</b>
	<b>178 k<math>\Omega</math></b>	1236.99	1116.05	997.26	879.02	1177.11	1058.63	939.91	1118.35	998.66	1116.79	997.22	877.33	<b>758.04</b>	<b>639.43</b>
	<b>140 k<math>\Omega</math></b>	1229.38	1108.61	989.89	871.61	1169.71	1051.22	932.48	1110.91	991.17	1109.32	989.73	869.82	<b>750.61</b>	<b>632.04</b>
	<b>105 k<math>\Omega</math></b>	1221.76	1101.18	982.53	864.21	1162.32	1043.80	925.04	1103.48	983.69	1101.85	982.25	862.32	<b>743.17</b>	
	<b>75 k<math>\Omega</math></b>	1214.15	1093.74	975.16	856.81	1154.92	1036.39	917.61	1096.04	976.21	1094.38	974.76	854.82	<b>735.74</b>	
	<b>46.4 k<math>\Omega</math></b>	1206.53	1086.30	967.80	849.41	1147.53	1028.98	910.17	1088.60	968.73	1086.90	967.28	847.32	<b>728.30</b>	
<b>22.6 k<math>\Omega</math></b>	1198.92	1078.87	960.43	842.01	1140.13	1021.57	902.74	1081.17	961.24	1079.43	959.79	839.82	<b>720.86</b>		
<b>0.01 k<math>\Omega</math></b>	1191.30	1071.43	953.07	834.62	1132.74	1014.15	895.30	1073.73	953.76	1072.04	952.31	832.32	<b>713.43</b>		

(1) Items italicized and highlighted in red apply to the LM57FSPWQ1 and LM57TSPWQ1 only.

(2) There are four gains corresponding to each of the four Temperature Trip Point Ranges:

J2 (-5.166 mV/°C) is the temperature sensor output gain used for Temperature Trip Points -40.68°C to 51.8°C.

J3 (-7.752 mV/°C) is for Trip Points 52°C to 97°C.

J4 (-10.339 mV/°C) for 97°C to 119°C.

J5 (-12.924 mV/°C) for 119°C to 160°C.

### 7.3.4 $T_{\text{OVER}}$ and $\overline{T_{\text{OVER}}}$ Digital Outputs

The  $T_{\text{OVER}}$  active high, push-pull output and the  $\overline{T_{\text{OVER}}}$  Active Low, Open-Drain Output both assert at the same time whenever the Die Temperature reaches the Trip Point. They also assert simultaneously whenever the TRIP TEST pin is set high. Both outputs de-assert when the die temperature goes below the (Temperature Trip Point) - (Hysteresis). These two types of digital outputs enable the user the flexibility to choose the type of output that is most suitable for his design.

Either the  $T_{\text{OVER}}$  or the  $\overline{T_{\text{OVER}}}$  Digital Output pins can be left open if not used.

The  $\overline{T_{\text{OVER}}}$  Active Low, Open-Drain Digital Output, if used, requires a pullup resistor between this pin and  $V_{\text{DD}}$ .

#### 7.3.4.1 $T_{\text{OVER}}$ and $\overline{T_{\text{OVER}}}$ Noise Immunity

The LM57-Q1 has some noise immunity to a premature trigger due to noise on the power supply. With the die temperature at 1°C below the trip point, there are no premature triggers for a square wave injected into the power supply with a magnitude of 100 mV<sub>PP</sub> over a frequency range of 100 Hz to 2 MHz. Above the frequency a premature trigger may occur.

With the die temperature at 2°C below the trip point, and a magnitude of 200 mV<sub>PP</sub>, there are no premature triggers from 100 Hz to 300 kHz. Above that frequency a premature trigger may occur.

Therefore if the supply line is noisy, it is recommended that a local supply decoupling capacitor be used to reduce that noise.

### 7.3.5 Trip Test Digital Input

The TRIP TEST pin provides a means to test the digital outputs by causing them to assert, regardless of temperature.

In addition, when the TRIP TEST pin is pulled high the  $V_{\text{TEMP}}$  pin will be at the  $V_{\text{TRIP}}$  voltage.

### 7.3.6 $V_{\text{TEMP}}$ Analog Temperature Sensor Output

The  $V_{\text{TEMP}}$  push-pull output provides the ability to sink and source significant current. This is beneficial when, for example, driving dynamic loads like an input stage on an analog-to-digital converter (ADC). In these applications the source current is required to quickly charge the input capacitor of the ADC. See the [Typical Application](#) section for more discussion of this topic. The LM57-Q1 is ideal for this and other applications which require strong source or sink current.

#### 7.3.6.1 $V_{\text{TEMP}}$ Noise Considerations

A load capacitor on  $V_{\text{TEMP}}$  can help to filter noise.

For noisy environments, TI recommends a 100 nF supply decoupling capacitor placed closed across  $V_{\text{DD}}$  and GND pins of LM57-Q1.

### 7.3.6.2 $V_{TEMP}$ Capacitive Loads

The  $V_{TEMP}$  Output handles capacitive loading well. In an extremely noisy environment, or when driving a switched sampling input on an ADC, it may be necessary to add some filtering to minimize noise coupling. Without any precautions, the  $V_{TEMP}$  can drive a capacitive load less than or equal to 1100 pF as shown in Figure 13. For capacitive loads greater than 1100 pF, a series resistor is required on the output, as shown in Figure 14, to maintain stable conditions.

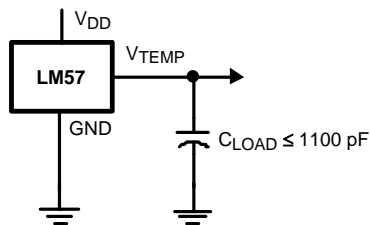


Figure 13. LM57-Q1 With No Isolation Resistor Required

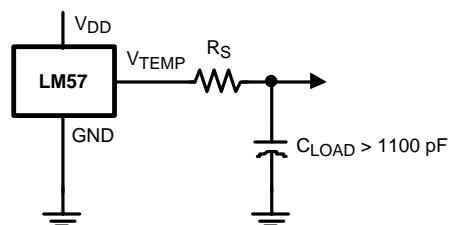


Figure 14. LM57-Q1 With Series Resistor for Capacitive Loading Greater than 1100 pF

Table 6.  $C_{LOAD}$  and  $R_S$  Values of Figure 14

$C_{LOAD}$	Minimum $R_S$
1.1 to 99 nF	3 k $\Omega$
100 to 999 nF	1.5 k $\Omega$
1 $\mu$ F	750 $\Omega$

### 7.3.6.3 $V_{TEMP}$ Voltage Shift

The LM57-Q1 is very linear over temperature and supply voltage range. Due to the intrinsic behavior of an NMOS/PMOS rail-to-rail buffer, a slight shift in the output can occur when the supply voltage is ramped over the operating range of the device. The location of the shift is determined by the relative levels of  $V_{DD}$  and  $V_{TEMP}$ . The shift typically occurs when  $V_{DD} - V_{TEMP} = 1$  V.

This slight shift (a few millivolts) takes place over a wide change (approximately 200 mV) in  $V_{DD}$  or  $V_{TEMP}$ . Since the shift takes place over a wide temperature change of 5°C to 20°C,  $V_{TEMP}$  is always monotonic. The accuracy specifications in the [Electrical Characteristics](#) table already includes this possible shift.

## 7.4 Device Functional Modes

The LM57-Q1 has several modes of operation as detailed in the following drawings.

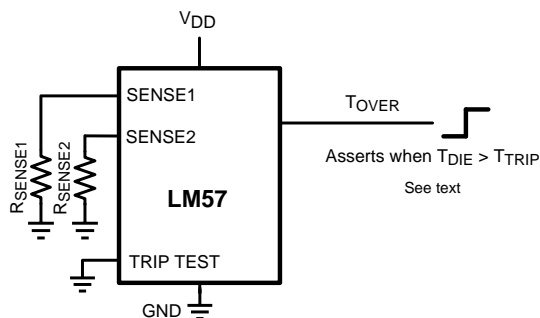
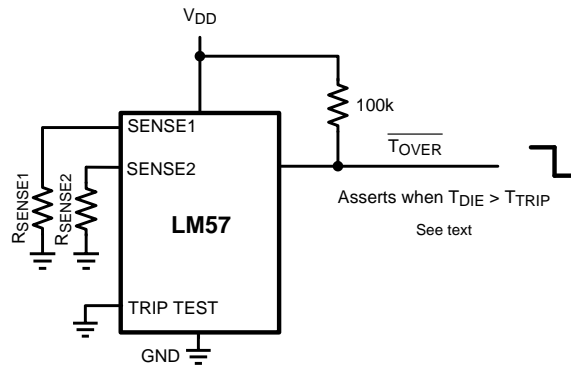
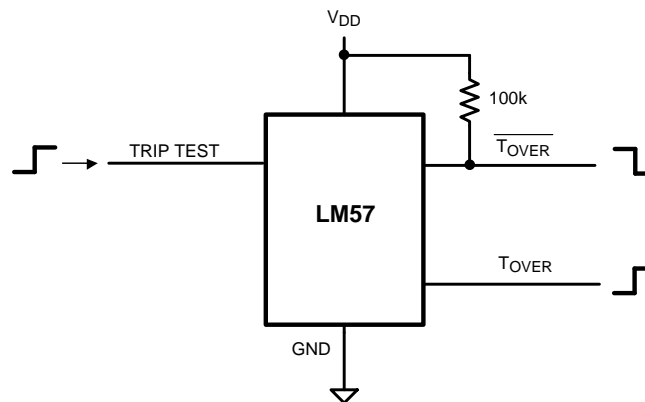


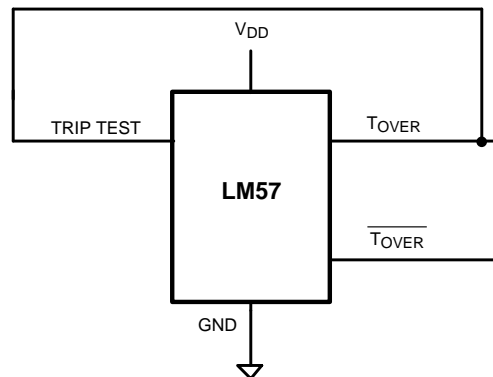
Figure 15. Temperature Switch Using Push-Pull Output

**Device Functional Modes (continued)**

**Figure 16. Temperature Switch Using Open-Drain Output**

As shown in [Figure 17](#) the LM57-Q1 has a TRIP Test input simplifying in situ board conductivity testing. Forcing TRIP TEST pin "HIGH" will drive the  $\overline{T_{OVER}}$  pin "LOW" and the  $T_{OVER}$  pin "HIGH".


**Figure 17. Trip Test Digital Output Test Circuit**

In the circuit shown in [Figure 18](#) when  $T_{OVER}$  goes active high, it drives trip test high. Trip test high causes  $T_{OVER}$  to stay high. It is therefore latched. To release the latch, power down, then power up. The LM57-Q1 always comes up in a released condition.


**Figure 18. Simple Latch Circuit**



### Device Functional Modes (continued)

The TRIP TEST pin, normally used to check the operation of the  $T_{OVER}$  and  $\overline{T_{OVER}}$  pins, may be used to latch the outputs whenever the temperature exceeds the programmed limit and causes the digital outputs to assert. As shown in Figure 19, when  $T_{OVER}$  goes high, the TRIP TEST input is also pulled high and causes  $T_{OVER}$  output to latch high and the  $\overline{T_{OVER}}$  output to latch low. Momentarily switching the TRIP TEST input low will reset the LM57-Q1 to normal operation. The resistor limits the current out of the  $T_{OVER}$  output pin.

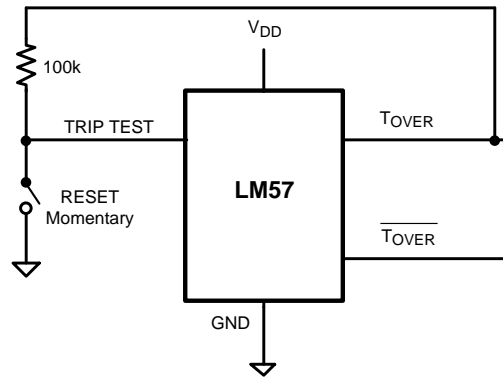


Figure 19. Latch Circuit Using  $T_{OVER}$  Output

## 8 Application and Implementation

### NOTE

Information in the following applications sections is not part of the TI component specification, and TI does not warrant its accuracy or completeness. TI's customers are responsible for determining suitability of components for their purposes. Customers should validate and test their design implementation to confirm system functionality.

### 8.1 Application Information

The LM57-Q1 has several outputs allowing for varying system implementations.

#### 8.1.1 ADC Input Considerations

The LM57-Q1 has an analog temperature sensor output ( $V_{TEMP}$ ) that can be directly connected to an ADC (Analog to Digital Converter) input. Most CMOS ADCs found in microcontrollers and ASICs have a sampled data comparator input structure. When the ADC charges the sampling cap, it requires instantaneous charge from the output of the analog source such as the LM57-Q1 temperature sensor and many op amps. This requirement is easily accommodated by the addition of a capacitor ( $C_{FILTER}$ ). The size of  $C_{FILTER}$  depends on the size of the sampling capacitor and the sampling frequency. Because not all ADCs have identical input stages, the charge requirements will vary. The general ADC application shown in Figure 20 is an example only.

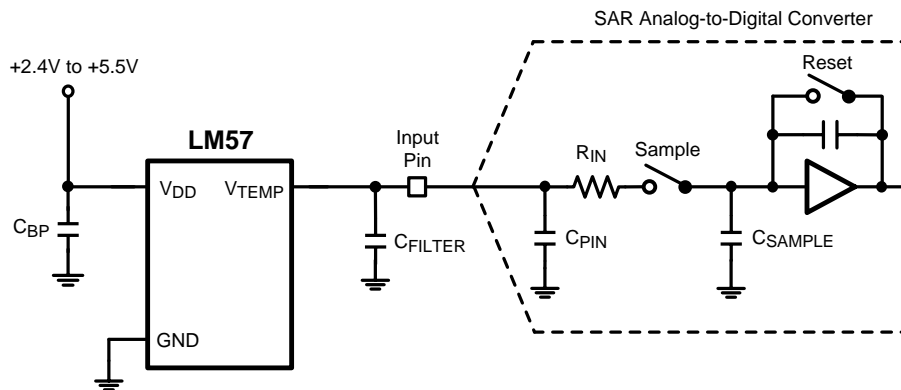


Figure 20. Suggested Connection to a Sampling Analog-to-Digital Converter Input Stage

### 8.2 Typical Application

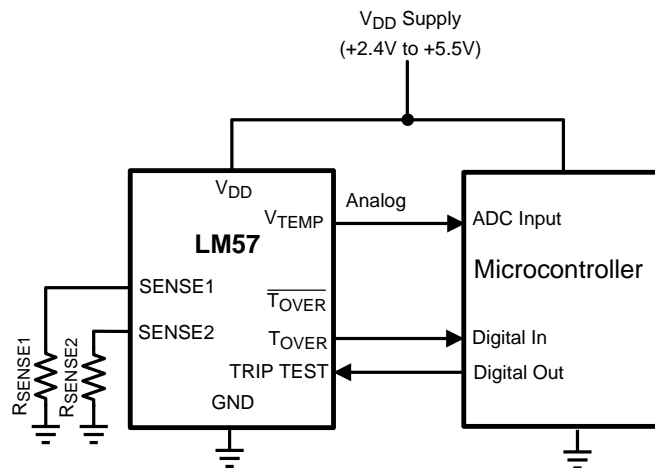


Figure 21. Typical Application Schematic with Microcontroller TRIP TEST Control

## Typical Application (continued)

### 8.2.1 Design Requirements

By simply selecting the value of two resistors the trip point of the LM57-Q1 can easily be programmed as described in the following section. If standard 1% values are used the actual trip point threshold is not degraded and stands as described in the Electrical Characteristics section ( ).

### 8.2.2 Detailed Design Procedure

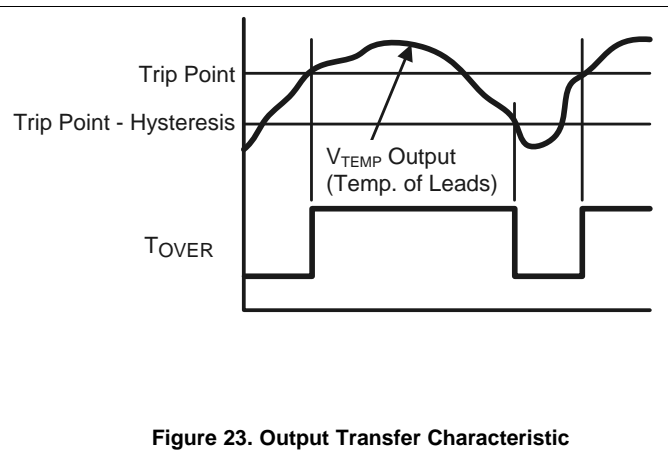
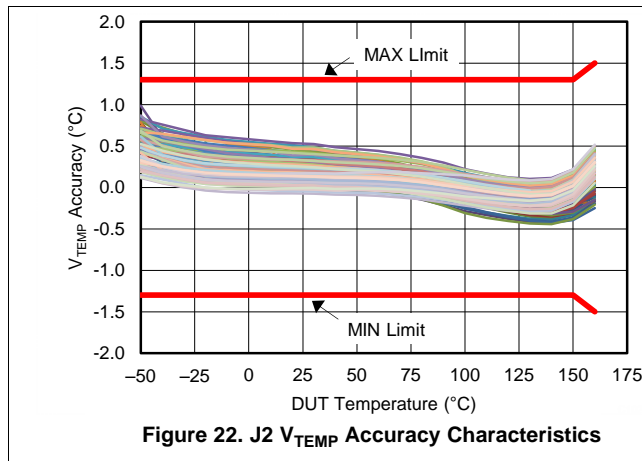
#### 8.2.2.1 Selection of $R_{SENSE}$ Resistors

To set the trip point:

1. Locate the desired trip temperature in .
2. Identify the corresponding  $R_{SENSE2}$  value by following the column up to the resistor value.
3. Identify the corresponding  $R_{SENSE1}$  value by following the row leftwards to the resistor value.
4. Use only the EIA E96 standard resistor values from the list.
5. Use only a resistor with 1% tolerance and a temperature coefficient of 100 ppm (or better). These restrictions are necessary to stay at the selected setting, and not to slip into an adjacent setting.
6. This is consistent with using resistors from the thick film chip resistors CRCW0402 family. These are available with very small dimensions of L = 1 mm, W = 0.5 mm, H = 0.35 mm.
7. Note that the resistor tolerance does not diminish the accuracy of the trip point. As can be seen in the block diagram these inputs drive the logic inputs of a DAC thus their tolerance does affect the trip point accuracy unless the DAC setting slips into an adjacent level. See patent number 6924758.

### 8.2.3 Application Curves

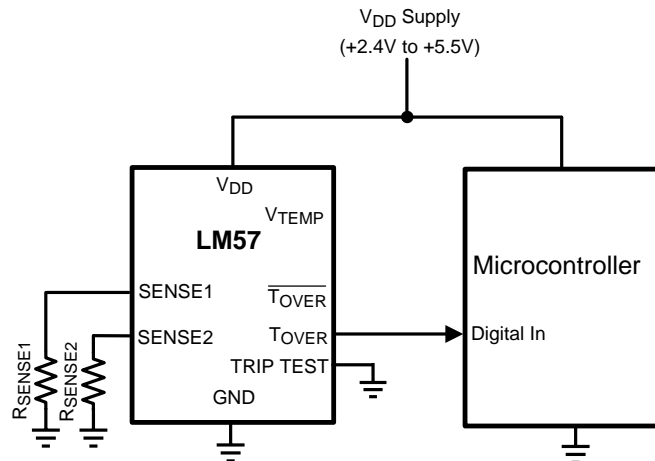
The typical performance of the LM57TSPWQ1 temperature sensor output can be seen in Figure 22. Figure 23 shows the output behavior of the LM57-Q1  $T_{OVER}$  output.



## Typical Application (continued)

### 8.2.4 Grounding of the TRIP TEST Pin

The circuit in [Figure 24](#) shows the TRIP TEST pin grounded. This allows the LM57-Q1 to function autonomously without microcontroller intervention. In all other respects this circuit functions similarly to the circuit shown in [Figure 21](#).



**Figure 24. Typical Application Schematic without Microcontroller TRIP TEST Control**

## 9 Power Supply Recommendations

Power supply bypass capacitors are optional and may be required if the supply line is noisy. TI recommends that a local supply decoupling capacitor be used to reduce noise. For noisy environments, TI recommends a 100-nF supply decoupling capacitor placed closed across  $V_{DD}$  and GND pins of LM57-Q1.

## 10 Layout

### 10.1 Layout Guidelines

The LM57-Q1 can be applied easily in the same way as other integrated-circuit temperature sensors. It can be glued or cemented to a surface. The temperatures of the lands and traces to the other leads of the LM57-Q1 will also affect the temperature reading.

Alternatively, the LM57-Q1 can be mounted inside a sealed-end metal tube, and can then be dipped into a bath or screwed into a threaded hole in a tank. As with any IC, the LM57-Q1 and accompanying wiring and circuits must be kept insulated and dry, to avoid leakage and corrosion. This is especially true if the circuit may operate at cold temperatures where condensation can occur. If moisture creates a short circuit from the  $V_{TEMP}$  output to ground or  $V_{DD}$ , the  $V_{TEMP}$  output from the LM57-Q1 will not be correct. Printed-circuit coatings are often used to ensure that moisture cannot corrode the leads or circuit traces.

## 10.2 Layout Example

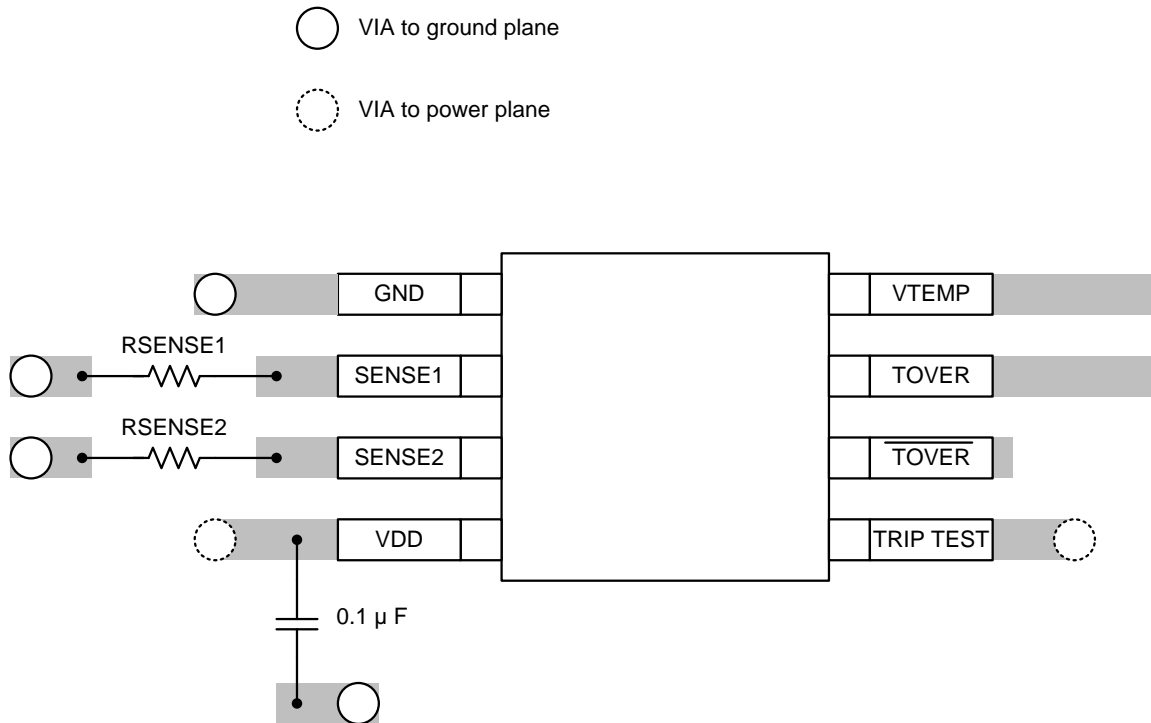


Figure 25. PW (TSSOP) Package Layout Example

## 10.3 Temperature Considerations

The junction temperature of the LM57-Q1 is the actual temperature being measured. The thermal resistance junction-to-ambient ( $R_{\theta JA}$ ) is the parameter (from ) used to calculate the rise of a device junction temperature due to its power dissipation. Equation 3 is used to calculate the rise in the die temperature of the LM57-Q1.

$$T_J = T_A + R_{\theta JA} [(V_{DD} I_Q) + (V_{DD} - V_{TEMP}) I_L]$$

where

- $T_A$  is the ambient temperature.
- $I_Q$  is the quiescent current.
- $I_L$  is the load current on  $V_{TEMP}$ .
- $R_{\theta JA}$  can be found in

(3)

For example using an LM57-Q1 in the PW (TSSOP) package, in an application where  $T_A = 30^\circ\text{C}$ ,  $V_{DD} = 5.5\text{ V}$ ,  $I_{DD} = 28\ \mu\text{A}$ , J5 gain,  $V_{TEMP} = 2368\text{ mV}$ , and  $I_L = 0\ \mu\text{A}$ , the total temperature rise would be  $[183^\circ\text{C/W} \times 5.5\text{ V} \times 28\ \mu\text{A}] = 0.028^\circ\text{C}$ . To minimize self-heating, the load current on  $V_{TEMP}$  should be minimized.

## 11 器件和文档支持

### 11.1 文档支持

#### 11.1.1 相关文档

相关文档如下：

- [LM57 商用数据表](#)。
- 《回流温度曲线》规范，[www.ti.com/packaging](http://www.ti.com/packaging)。
- 应用报告《IC 封装热指标》，[SPRA953](#)

### 11.2 社区资源

The following links connect to TI community resources. Linked contents are provided "AS IS" by the respective contributors. They do not constitute TI specifications and do not necessarily reflect TI's views; see TI's [Terms of Use](#).

**TI E2E™ Online Community** *TI's Engineer-to-Engineer (E2E) Community*. Created to foster collaboration among engineers. At [e2e.ti.com](http://e2e.ti.com), you can ask questions, share knowledge, explore ideas and help solve problems with fellow engineers.

**Design Support** *TI's Design Support* Quickly find helpful E2E forums along with design support tools and contact information for technical support.

### 11.3 商标

E2E is a trademark of Texas Instruments.

All other trademarks are the property of their respective owners.

### 11.4 静电放电警告



这些装置包含有限的内置 ESD 保护。存储或装卸时，应将导线一起截短或将装置放置于导电泡棉中，以防止 MOS 门极遭受静电损伤。

### 11.5 Glossary

[SLYZ022](#) — *TI Glossary*.

This glossary lists and explains terms, acronyms, and definitions.

## 12 机械、封装和可订购信息

以下页中包括机械、封装和可订购信息。 这些信息是针对指定器件可提供的最新数据。 这些数据会在无通知且不对本文档进行修订的情况下发生改变。 欲获得该数据表的浏览器版本，请查阅左侧的导航栏。

## 重要声明

德州仪器(TI)及其下属子公司有权根据 JESD46 最新标准,对所提供的产品和服务进行更正、修改、增强、改进或其它更改,并有权根据 JESD48 最新标准中止提供任何产品和服务。客户在下订单前应获取最新的相关信息,并验证这些信息是否完整且是最新的。所有产品的销售都遵循在订单确认时所提供的TI 销售条款与条件。

TI 保证其所销售的组件的性能符合产品销售时 TI 半导体产品销售条件与条款的适用规范。仅在 TI 保证的范围内,且 TI 认为有必要时才会使用测试或其它质量控制技术。除非适用法律做出了硬性规定,否则没有必要对每种组件的所有参数进行测试。

TI 对应用帮助或客户产品设计不承担任何义务。客户应对其使用 TI 组件的产品和应用自行负责。为尽量减小与客户产品和应用相关的风险,客户应提供充分的设计与操作安全措施。

TI 不对任何 TI 专利权、版权、屏蔽作品权或其它与使用了 TI 组件或服务的组合设备、机器或流程相关的 TI 知识产权中授予的直接或隐含权限作出任何保证或解释。TI 所发布的与第三方产品或服务有关的信息,不能构成从 TI 获得使用这些产品或服务的许可、授权、或认可。使用此类信息可能需要获得第三方的专利权或其它知识产权方面的许可,或是 TI 的专利权或其它知识产权方面的许可。

对于 TI 的产品手册或数据表中 TI 信息的重要部分,仅在没有对内容进行任何篡改且带有相关授权、条件、限制和声明的情况下才允许进行复制。TI 对此类篡改过的文件不承担任何责任或义务。复制第三方的信息可能需要服从额外的限制条件。

在转售 TI 组件或服务时,如果对该组件或服务参数的陈述与 TI 标明的参数相比存在差异或虚假成分,则会失去相关 TI 组件或服务的所有明示或暗示授权,且这是不正当的、欺诈性商业行为。TI 对任何此类虚假陈述均不承担任何责任或义务。

客户认可并同意,尽管任何应用相关信息或支持仍可能由 TI 提供,但他们将独立负责满足与其产品及其在应用中使用的 TI 产品相关的所有法律、法规和安全相关要求。客户声明并同意,他们具备制定与实施安全措施所需的全部专业技术和知识,可预见故障的危险后果、监测故障及其后果、降低有可能造成人身伤害的故障的发生机率并采取适当的补救措施。客户将全额赔偿因在此类安全关键应用中使用任何 TI 组件而对 TI 及其代理造成的任何损失。

在某些场合中,为了推进安全相关应用有可能对 TI 组件进行特别的促销。TI 的目标是利用此类组件帮助客户设计和创立其特有的可满足适用的功能安全性标准和要求的终端产品解决方案。尽管如此,此类组件仍然服从这些条款。

TI 组件未获得用于 FDA Class III (或类似的生命攸关医疗设备)的授权许可,除非各方授权官员已经达成了专门管控此类使用的特别协议。

只有那些 TI 特别注明属于军用等级或“增强型塑料”的 TI 组件才是设计或专门用于军事/航空应用或环境的。购买者认可并同意,对并非指定面向军事或航空航天用途的 TI 组件进行军事或航空航天方面的应用,其风险由客户单独承担,并且由客户独立负责满足与此类使用相关的所有法律和法规要求。

TI 已明确指定符合 ISO/TS16949 要求的产品,这些产品主要用于汽车。在任何情况下,因使用非指定产品而无法达到 ISO/TS16949 要求, TI 不承担任何责任。

	产品		应用
数字音频	<a href="http://www.ti.com.cn/audio">www.ti.com.cn/audio</a>	通信与电信	<a href="http://www.ti.com.cn/telecom">www.ti.com.cn/telecom</a>
放大器和线性器件	<a href="http://www.ti.com.cn/amplifiers">www.ti.com.cn/amplifiers</a>	计算机及周边	<a href="http://www.ti.com.cn/computer">www.ti.com.cn/computer</a>
数据转换器	<a href="http://www.ti.com.cn/dataconverters">www.ti.com.cn/dataconverters</a>	消费电子	<a href="http://www.ti.com.cn/consumer-apps">www.ti.com.cn/consumer-apps</a>
DLP® 产品	<a href="http://www.dlp.com">www.dlp.com</a>	能源	<a href="http://www.ti.com.cn/energy">www.ti.com.cn/energy</a>
DSP - 数字信号处理器	<a href="http://www.ti.com.cn/dsp">www.ti.com.cn/dsp</a>	工业应用	<a href="http://www.ti.com.cn/industrial">www.ti.com.cn/industrial</a>
时钟和计时器	<a href="http://www.ti.com.cn/clockandtimers">www.ti.com.cn/clockandtimers</a>	医疗电子	<a href="http://www.ti.com.cn/medical">www.ti.com.cn/medical</a>
接口	<a href="http://www.ti.com.cn/interface">www.ti.com.cn/interface</a>	安防应用	<a href="http://www.ti.com.cn/security">www.ti.com.cn/security</a>
逻辑	<a href="http://www.ti.com.cn/logic">www.ti.com.cn/logic</a>	汽车电子	<a href="http://www.ti.com.cn/automotive">www.ti.com.cn/automotive</a>
电源管理	<a href="http://www.ti.com.cn/power">www.ti.com.cn/power</a>	视频和影像	<a href="http://www.ti.com.cn/video">www.ti.com.cn/video</a>
微控制器 (MCU)	<a href="http://www.ti.com.cn/microcontrollers">www.ti.com.cn/microcontrollers</a>		
RFID 系统	<a href="http://www.ti.com.cn/rfidsys">www.ti.com.cn/rfidsys</a>		
OMAP应用处理器	<a href="http://www.ti.com/omap">www.ti.com/omap</a>		
无线连通性	<a href="http://www.ti.com.cn/wirelessconnectivity">www.ti.com.cn/wirelessconnectivity</a>	德州仪器在线技术支持社区	<a href="http://www.deyisupport.com">www.deyisupport.com</a>

邮寄地址: 上海市浦东新区世纪大道1568号, 中建大厦32楼邮政编码: 200122  
Copyright © 2015, 德州仪器半导体技术(上海)有限公司

**PACKAGING INFORMATION**

Orderable Device	Status (1)	Package Type	Package Drawing	Pins	Package Qty	Eco Plan (2)	Lead finish/ Ball material (6)	MSL Peak Temp (3)	Op Temp (°C)	Device Marking (4/5)	Samples
LM57FEPWQ1	ACTIVE	TSSOP	PW	8	150	RoHS & Green	NIPDAU	Level-2-260C-1 YEAR	-50 to 150	LM57FE	<a href="#">Samples</a>
LM57FEPWRQ1	ACTIVE	TSSOP	PW	8	2000	RoHS & Green	NIPDAU	Level-2-260C-1 YEAR	-50 to 150	LM57FE	<a href="#">Samples</a>
LM57FQPWQ1	ACTIVE	TSSOP	PW	8	150	RoHS & Green	NIPDAU	Level-2-260C-1 YEAR	-50 to 125	LM57FQ	<a href="#">Samples</a>
LM57FQPWRQ1	ACTIVE	TSSOP	PW	8	2000	RoHS & Green	NIPDAU	Level-2-260C-1 YEAR	-50 to 125	LM57FQ	<a href="#">Samples</a>
LM57FSPWQ1	ACTIVE	TSSOP	PW	8	150	RoHS & Green	NIPDAU	Level-2-260C-1 YEAR	-50 to 160	LM57FS	<a href="#">Samples</a>
LM57FSPWRQ1	ACTIVE	TSSOP	PW	8	2000	RoHS & Green	NIPDAU	Level-2-260C-1 YEAR	-50 to 160	LM57FS	<a href="#">Samples</a>
LM57TEPWQ1	ACTIVE	TSSOP	PW	8	150	RoHS & Green	NIPDAU	Level-2-260C-1 YEAR	-50 to 150	LM57TE	<a href="#">Samples</a>
LM57TEPWRQ1	ACTIVE	TSSOP	PW	8	2000	RoHS & Green	NIPDAU	Level-2-260C-1 YEAR	-50 to 150	LM57TE	<a href="#">Samples</a>
LM57TQPWQ1	ACTIVE	TSSOP	PW	8	150	RoHS & Green	NIPDAU	Level-2-260C-1 YEAR	-50 to 125	LM57TQ	<a href="#">Samples</a>
LM57TQPWRQ1	ACTIVE	TSSOP	PW	8	2000	RoHS & Green	NIPDAU	Level-2-260C-1 YEAR	-50 to 125	LM57TQ	<a href="#">Samples</a>
LM57TSPWQ1	ACTIVE	TSSOP	PW	8	150	RoHS & Green	NIPDAU	Level-2-260C-1 YEAR	-50 to 160	LM57TS	<a href="#">Samples</a>
LM57TSPWRQ1	ACTIVE	TSSOP	PW	8	2000	RoHS & Green	NIPDAU	Level-2-260C-1 YEAR	-50 to 160	LM57TS	<a href="#">Samples</a>

(1) The marketing status values are defined as follows:

**ACTIVE:** Product device recommended for new designs.

**LIFEBUY:** TI has announced that the device will be discontinued, and a lifetime-buy period is in effect.

**NRND:** Not recommended for new designs. Device is in production to support existing customers, but TI does not recommend using this part in a new design.

**PREVIEW:** Device has been announced but is not in production. Samples may or may not be available.

**OBSELETE:** TI has discontinued the production of the device.

(2) **RoHS:** TI defines "RoHS" to mean semiconductor products that are compliant with the current EU RoHS requirements for all 10 RoHS substances, including the requirement that RoHS substance do not exceed 0.1% by weight in homogeneous materials. Where designed to be soldered at high temperatures, "RoHS" products are suitable for use in specified lead-free processes. TI may reference these types of products as "Pb-Free".

**RoHS Exempt:** TI defines "RoHS Exempt" to mean products that contain lead but are compliant with EU RoHS pursuant to a specific EU RoHS exemption.

**Green:** TI defines "Green" to mean the content of Chlorine (Cl) and Bromine (Br) based flame retardants meet JS709B low halogen requirements of <=1000ppm threshold. Antimony trioxide based flame retardants must also meet the <=1000ppm threshold requirement.



- (3) MSL, Peak Temp. - The Moisture Sensitivity Level rating according to the JEDEC industry standard classifications, and peak solder temperature.
- (4) There may be additional marking, which relates to the logo, the lot trace code information, or the environmental category on the device.
- (5) Multiple Device Markings will be inside parentheses. Only one Device Marking contained in parentheses and separated by a "~" will appear on a device. If a line is indented then it is a continuation of the previous line and the two combined represent the entire Device Marking for that device.
- (6) Lead finish/Ball material - Orderable Devices may have multiple material finish options. Finish options are separated by a vertical ruled line. Lead finish/Ball material values may wrap to two lines if the finish value exceeds the maximum column width.

**Important Information and Disclaimer:**The information provided on this page represents TI's knowledge and belief as of the date that it is provided. TI bases its knowledge and belief on information provided by third parties, and makes no representation or warranty as to the accuracy of such information. Efforts are underway to better integrate information from third parties. TI has taken and continues to take reasonable steps to provide representative and accurate information but may not have conducted destructive testing or chemical analysis on incoming materials and chemicals. TI and TI suppliers consider certain information to be proprietary, and thus CAS numbers and other limited information may not be available for release.

In no event shall TI's liability arising out of such information exceed the total purchase price of the TI part(s) at issue in this document sold by TI to Customer on an annual basis.

PW0008A



# PACKAGE OUTLINE

## TSSOP - 1.2 mm max height

SMALL OUTLINE PACKAGE



4221848/A 02/2015

NOTES:

1. All linear dimensions are in millimeters. Any dimensions in parenthesis are for reference only. Dimensioning and tolerancing per ASME Y14.5M.
2. This drawing is subject to change without notice.
3. This dimension does not include mold flash, protrusions, or gate burrs. Mold flash, protrusions, or gate burrs shall not exceed 0.15 mm per side.
4. This dimension does not include interlead flash. Interlead flash shall not exceed 0.25 mm per side.
5. Reference JEDEC registration MO-153, variation AA.

# EXAMPLE BOARD LAYOUT

PW0008A

TSSOP - 1.2 mm max height

SMALL OUTLINE PACKAGE



LAND PATTERN EXAMPLE  
SCALE:10X



SOLDER MASK DETAILS  
NOT TO SCALE

4221848/A 02/2015

NOTES: (continued)

- 6. Publication IPC-7351 may have alternate designs.
- 7. Solder mask tolerances between and around signal pads can vary based on board fabrication site.

# EXAMPLE STENCIL DESIGN

PW0008A

TSSOP - 1.2 mm max height

SMALL OUTLINE PACKAGE



SOLDER PASTE EXAMPLE  
BASED ON 0.125 mm THICK STENCIL  
SCALE:10X

4221848/A 02/2015

NOTES: (continued)

8. Laser cutting apertures with trapezoidal walls and rounded corners may offer better paste release. IPC-7525 may have alternate design recommendations.
9. Board assembly site may have different recommendations for stencil design.

## 重要声明和免责声明

TI 均以“原样”提供技术性及其可靠性数据（包括数据表）、设计资源（包括参考设计）、应用或其他设计建议、网络工具、安全信息和其他资源，不保证其中不含任何瑕疵，且不做任何明示或暗示的担保，包括但不限于对适销性、适合某特定用途或不侵犯任何第三方知识产权的暗示担保。

所述资源可供专业开发人员应用TI 产品进行设计使用。您将对以下行为独自承担全部责任：(1) 针对您的应用选择合适的TI 产品；(2) 设计、验证并测试您的应用；(3) 确保您的应用满足相应标准以及任何其他安全、安保或其他要求。所述资源如有变更，恕不另行通知。TI 对您使用所述资源的授权仅限于开发资源所涉及TI 产品的相关应用。除此之外不得复制或展示所述资源，也不提供其它TI 或任何第三方的知识产权授权许可。如因使用所述资源而产生任何索赔、赔偿、成本、损失及债务等，TI 对此概不负责，并且您须赔偿由此对TI 及其代表造成的损害。

TI 所提供产品均受TI 的销售条款 (<http://www.ti.com.cn/zh-cn/legal/termsofsale.html>) 以及ti.com.cn上或随附TI产品提供的其他可适用条款的约束。TI提供所述资源并不扩展或以其他方式更改TI 针对TI 产品所发布的可适用的担保范围或担保免责声明。

邮寄地址：上海市浦东新区世纪大道 1568 号中建大厦 32 楼，邮政编码：200122

Copyright © 2020 德州仪器半导体技术（上海）有限公司