

适用于 2 节串联锂离子电池且具有自动电量平衡功能的 BQ29209-Q1 电压保护

1 特性

- 2 节串联电池二级保护
- 带外部使能控制的自动电量失衡校正
 - $\pm 30\text{mV}$ 使能阈值, 0mV 禁用阈值 (典型值)
- 外部电容控制的延迟计时器
- 外部电阻控制的电量平衡电流
- 低功耗 $I_{CC} < 3\mu\text{A}$ (典型值) (V_{CELL} (总电压) $< V_{\text{PROTECT}}$)
- 内部电量平衡功能可处理高达 15mA 的电流
- 支持外部电量平衡模式
- 高精度过压保护:
 - $\pm 25\text{mV}$ ($T_A = 0^\circ\text{C}$ 至 60°C)
- 固定过压保护阈值: 4.30V
- 小型 8 引脚 DRB 封装
- **提供功能安全型**
 - [可帮助进行功能安全系统设计的文档](#)
- 符合汽车类 AEC Q100 2 级标准

2 应用

- 锂离子电池组二级保护
 - 紧急呼叫 (eCall)
 - 笔记本电脑
 - 电动工具
 - 便携式设备和仪器
 - 备用电池系统

3 说明

BQ29209-Q1 器件是一款用于 2 节串联锂离子电池组的二级过压保护 IC, 具有高精度精密过压检测电路和自动电量失衡校正功能。

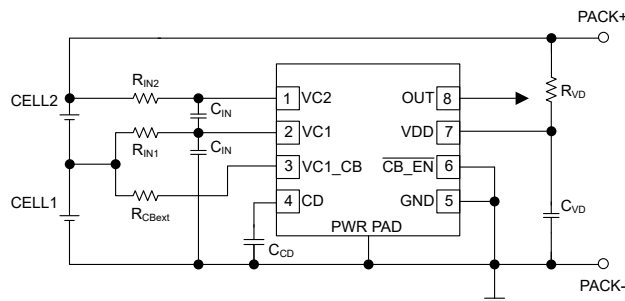
该 IC 将 2 节串联电池组中每节电池的电压与出厂设定的内部参考电压进行比较。如果任一电池达到过压状态, OUT 引脚由低电平转换为高电平状态。

BQ29209-Q1 可执行基于电压的自动电量失衡校正。当电池电压与内部参考电压相差 30mV 或以上时, 启动电量平衡; 当电池电压与内部参考电压相差 0mV 时, 停止电量平衡。电量平衡功能由 $\overline{\text{CB_EN}}$ 引脚启用和禁用。

器件信息

器件型号 (1)	封装	封装尺寸 (标称值)
BQ29209-Q1	VSON (8)	3.00mm × 3.00mm

(1) 如需了解所有可用封装, 请参阅数据表末尾的可订购产品附录。



简化版原理图



Table of Contents

1 特性.....	1	8.4 Device Functional Modes.....	11
2 应用.....	1	9 Application and Implementation.....	11
3 说明.....	1	9.1 Application Information.....	11
4 Revision History.....	2	9.2 Typical Applications.....	12
5 Device Options.....	3	9.3 System Example.....	13
6 Pin Configuration and Functions.....	3	10 Power Supply Recommendations.....	14
Pin Functions.....	3	11 Layout.....	14
7 Specifications.....	3	11.1 Layout Guidelines.....	14
7.1 Absolute Maximum Ratings.....	3	11.2 Layout Example.....	14
7.2 ESD Ratings.....	4	12 Device and Documentation Support.....	15
7.3 Recommended Operating Conditions.....	4	12.1 Documentation Support.....	15
7.4 Thermal Information.....	4	12.2 接收文档更新通知.....	15
7.5 Electrical Characteristics.....	4	12.3 支持资源.....	15
7.6 Recommended Cell Balancing Configurations.....	6	12.4 Trademarks.....	15
7.7 Typical Characteristics.....	6	12.5 静电放电警告.....	15
8 Detailed Description.....	7	12.6 术语表.....	15
8.1 Overview.....	7	13 Mechanical, Packaging, and Orderable Information.....	15
8.2 Functional Block Diagram.....	7		
8.3 Feature Description.....	7		

4 Revision History

注：以前版本的页码可能与当前版本的页码不同

Changes from Revision C (December 2018) to Revision D (September 2020)	Page
• 添加了“提供功能安全型”信息.....	1
Changes from Revision B (November 2018) to Revision C (December 2018)	Page
• Added a clarification regarding operation if GND is not connected first in sequence.....	8
Changes from Revision A (March 2016) to Revision B (November 2018)	Page
• 更改了简化版原理图中的元件名称.....	1
• Changed a component name in <i>Recommended Operating Conditions</i>	4
• Added the value of internal cell balancing switch resistances to <i>Electrical Characteristics</i>	4
• Changed resistor names.....	6
• Added 图 8-2 to clarify the cell balancing description; updated the equations.....	9
• Changed values and component names in 图 9-1.....	12
• Changed component names and values used in the design example.....	12
• Changed external cell balancing figure, equations, and description.....	13
Changes from Revision * (June 2015) to Revision A (March 2016)	Page
• 更改了电阻器 R _{VD} 位置，在简化版原理图中添加了 PACK+ 和 PACK -.....	1
• Deleted the Lead Temperature (soldering) from the 表 7.1 table.....	3
• Changed resistor R _{VD} location in 图 9-1.....	12
• Added title to 表 9-1.....	12
• Changed resistor R _{VD} location, added PACK+ and PACK - in 图 9-3.....	13

5 Device Options

T _A	PART NUMBER	OVP
- 40°C to +105°C	BQ29209-Q1	4.3 V

6 Pin Configuration and Functions

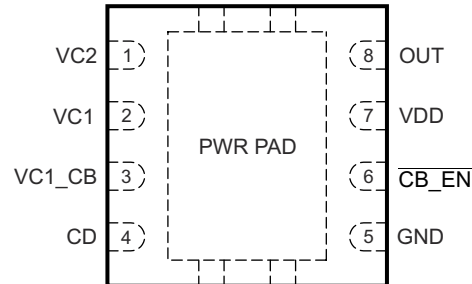


图 6-1. DRB Package 8-Pin VSON Top View

Pin Functions

PIN		DESCRIPTION
NAME	NO.	
CB_EN	6	Cell balance enable
CD	4	Connection to external capacitor for programmable delay time
GND	5	Ground pin
OUT	8	Output
Thermal Pad	PWR PAD	GND pin to be connected to the PWRPAD on the printed circuit board for proper operation
VC1	2	Sense voltage input for bottom cell
VC1_CB	3	Cell balance input for bottom cell
VC2	1	Sense voltage input for top cell
VDD	7	Power supply

7 Specifications

7.1 Absolute Maximum Ratings

Over-operating free-air temperature range (unless otherwise noted)⁽¹⁾

		MIN	MAX	UNIT
Supply voltage range, V _{MAX}	VDD - GND	- 0.3	16	V
Input voltage range, V _{IN}	VC2 - GND, VC1 - GND	- 0.3	16	V
	VC2 - VC1, CD - GND	- 0.3	8	V
	CB_EN - GND	- 0.3	16	V
Output voltage range, V _{OUT}	OUT - GND	- 0.3	16	V
Continuous total power dissipation, P _{TOT}		See # 7.4.		
Storage temperature, T _{stg}		- 65	150	°C

(1) Stresses beyond those listed under *Absolute Maximum Ratings* may cause permanent damage to the device. These are stress ratings only, which do not imply functional operation of the device at these or any other conditions beyond those indicated under *Recommended Operating Conditions*. Exposure to absolute-maximum-rated conditions for extended periods may affect device reliability.

7.2 ESD Ratings

		VALUE	UNIT	
V _(ESD) Electrostatic discharge	Human-body model (HBM), per AEC Q100-002 ⁽¹⁾	±2000	V	
	Charged-device model (CDM), per AEC Q100-011	All pins		±500
		Corner pins (VC2, CD, OUT, and GND)		±750

(1) AEC Q100-002 indicates that HBM stressing shall be in accordance with the ANSI/ESDA/JEDEC JS-001 specification.

7.3 Recommended Operating Conditions

		MIN	NOM	MAX	UNIT
Supply voltage, VDD		4		10	V
Input voltage range	VC2 - VC1, VC1 - GND	0		5	V
Delay time capacitance, t _{d(CD)}	C _{CD} (See 图 9-1.)		0.1		μF
Voltage monitor filter resistance	R _{IN} (See 图 9-1.)	100	1K		Ω
Voltage monitor filter capacitance	C _{IN} (See 图 9-1.)	0.01	0.1		μF
Supply voltage filter resistance	R _{VD} (See 图 9-1.)		100	1K	Ω
Supply voltage filter capacitance	C _{VD} (See 图 9-1.)		0.1		μF
Cell balance resistance	R _{CBext} (See 图 9-1 and 节 8.3.1.)	100		4.7K	Ω
Operating ambient temperature range, T _A		- 40		105	°C

7.4 Thermal Information

THERMAL METRIC ⁽¹⁾		BQ29209-Q1			UNIT
		DRB			
		8 PINS			
R _{θJA}	Junction-to-ambient thermal resistance	50.5			°C/W
R _{θJC(top)}	Junction-to-case(top) thermal resistance	25.1			°C/W
R _{θJB}	Junction-to-board thermal resistance	19.3			°C/W
ψ _{JT}	Junction-to-top characterization parameter	0.7			°C/W
ψ _{JB}	Junction-to-board characterization parameter	18.9			°C/W
R _{θJC(bot)}	Junction-to-case(bottom) thermal resistance	5.2			°C/W

(1) For more information about traditional and new thermal metrics, see the *Semiconductor and IC Package Thermal Metrics* application report, [SPRA953](#).

7.5 Electrical Characteristics

Typical values stated where T_A = 25°C and VDD = 7.2 V. Minimum and maximum values stated where T_A = - 40°C to 105°C and VDD = 4 V to 10 V (unless otherwise noted).

PARAMETER		TEST CONDITIONS			MIN	TYP	MAX	UNIT
V _{PROTECT}	Overvoltage detection voltage				4.3			V
V _{HYS}	Overvoltage detection hysteresis				200	300	400	mV
V _{OA}	Overvoltage detection accuracy	T _A = 25°C			- 10		10	mV
V _{OA_DRIFT}	Overvoltage threshold temperature drift	T _A = 0°C to 60°C			- 0.4		0.4	mV/°C
		T _A = - 40°C to 110°C			- 0.6		0.6	

Typical values stated where $T_A = 25^\circ\text{C}$ and $V_{DD} = 7.2\text{ V}$. Minimum and maximum values stated where $T_A = -40^\circ\text{C}$ to 105°C and $V_{DD} = 4\text{ V}$ to 10 V (unless otherwise noted).

PARAMETER		TEST CONDITIONS	MIN	TYP	MAX	UNIT	
X_{DELAY}	Overvoltage delay time scale factor	$T_A = 0^\circ\text{C}$ to 60°C Note: Does not include external capacitor variation.	6	9	12	s/ μF	
		$T_A = -40^\circ\text{C}$ to 110°C Note: Does not include external capacitor variation.	5.5	9	13.5		
$X_{\text{DELAY_CTM}}$ ⁽¹⁾	Overvoltage delay time scale factor in Customer Test Mode		0.08			s/ μF	
$I_{\text{CD(CHG)}}$	Overvoltage detection charging current		150			nA	
$I_{\text{CD(DSG)}}$	Overvoltage detection discharging current		60			μA	
V_{CD}	Overvoltage detection external capacitor comparator threshold		1.2			V	
I_{CC}	Supply current	$(V_{\text{C2}} - V_{\text{C1}}) = (V_{\text{C1}} - \text{GND}) = 3.5\text{ V}$ (See Fig 8-5.)	3			6 μA	
V_{OUT}	OUT pin drive voltage	$(V_{\text{C2}} - V_{\text{C1}})$ or $(V_{\text{C1}} - \text{GND}) > V_{\text{PROTECT}}$, $V_{\text{DD}} = 10\text{ V}$, $I_{\text{OH}} = 0$	6	8.25	9.5	V	
		$(V_{\text{C2}} - V_{\text{C1}})$ or $(V_{\text{C1}} - \text{GND}) = V_{\text{PROTECT}}$, $V_{\text{DD}} = V_{\text{PROTECT}}$, $I_{\text{OH}} = -100\ \mu\text{A}$, $T_A = 0^\circ\text{C}$ to 60°C	1.75	2.5		V	
		$(V_{\text{C2}} - V_{\text{C1}})$ and $(V_{\text{C1}} - \text{GND}) < V_{\text{PROTECT}}$, $I_{\text{OL}} = 100\ \mu\text{A}$, $T_A = 25^\circ\text{C}$				200	mV
		$(V_{\text{C2}} - V_{\text{C1}})$ and $(V_{\text{C1}} - \text{GND}) < V_{\text{PROTECT}}$, $I_{\text{OL}} = 0\ \mu\text{A}$, $T_A = 25^\circ\text{C}$				0	10 mV
		$V_{\text{C2}} = V_{\text{C1}} = V_{\text{DD}} = 4\text{ V}$, $I_{\text{OL}} = 100\ \mu\text{A}$				200	mV
I_{OH}	High-level output current	$\text{OUT} = 1.75\text{ V}$, $(V_{\text{C2}} - V_{\text{C1}})$ or $(V_{\text{C1}} - \text{GND}) = V_{\text{PROTECT}}$, $V_{\text{DD}} = V_{\text{PROTECT}}$ to 10 V , $T_A = 0^\circ\text{C}$ to 60°C	-100			μA	
I_{OL}	Low-level output current	$\text{OUT} = 0.05\text{ V}$, $(V_{\text{C2}} - V_{\text{C1}})$ or $(V_{\text{C1}} - \text{GND}) < V_{\text{PROTECT}}$, $V_{\text{DD}} = V_{\text{PROTECT}}$ to 10 V , $T_A = 0^\circ\text{C}$ to 60°C	30			85 μA	
$I_{\text{OH_ZV}}$	High-level short-circuit output current	$\text{OUT} = 0\text{ V}$, $(V_{\text{C2}} - V_{\text{C1}}) = (V_{\text{C1}} - \text{GND}) = V_{\text{PROTECT}}$ $V_{\text{DD}} = 4$ to 10 V				-8 mA	
I_{IN}	Input current at VCx pins	Measured at VC1, $(V_{\text{C2}} - V_{\text{C1}}) = (V_{\text{C1}} - \text{GND}) = 3.5\text{ V}$, $T_A = 0^\circ\text{C}$ to 60°C (See Fig 8-5.)	-0.2			0.2 μA	
		Measured at VC2, $(V_{\text{C2}} - V_{\text{C1}}) = (V_{\text{C1}} - \text{GND}) = 3.5\text{ V}$, $T_A = 0^\circ\text{C}$ to 60°C (See Fig 8-5.)				2.5 μA	
$V_{\text{MM_DET_ON}}$	Cell mismatch detection threshold for turning ON	$(V_{\text{C2}} - V_{\text{C1}})$ versus $(V_{\text{C1}} - \text{GND})$ and vice-versa when cell balancing is enabled. $V_{\text{C2}} = V_{\text{DD}} = 7.6\text{ V}$	17	30	45	mV	
$V_{\text{MM_DET_OFF}}$	Cell mismatch detection threshold for turning OFF	Delta between $(V_{\text{C2}} - V_{\text{C1}})$ and $(V_{\text{C1}} - \text{GND})$ when cell balancing is disabled. $V_{\text{C2}} = V_{\text{DD}} = 7.6\text{ V}$	-9	0	9	mV	
$V_{\text{CB_EN_ON}}$	Cell balance enable ON threshold	Active LOW pin at $\overline{\text{CB_EN}}$				1 V	
$V_{\text{CB_EN_OFF}}$	Cell balance enable OFF threshold	Active HIGH at $\overline{\text{CB_EN}}$	2.2			V	
$I_{\text{CB_EN}}$	Cell balance enable ON input current	$\overline{\text{CB_EN}} = \text{GND}$ (See Fig 8-6.)				0.2 μA	
R_{CB1int}	Internal cell balance switch resistance	$\overline{\text{CB_EN}} = \text{GND}$	300			Ω	
R_{CB2int}	Internal cell balance switch resistance	$\overline{\text{CB_EN}} = \text{GND}$	235			Ω	

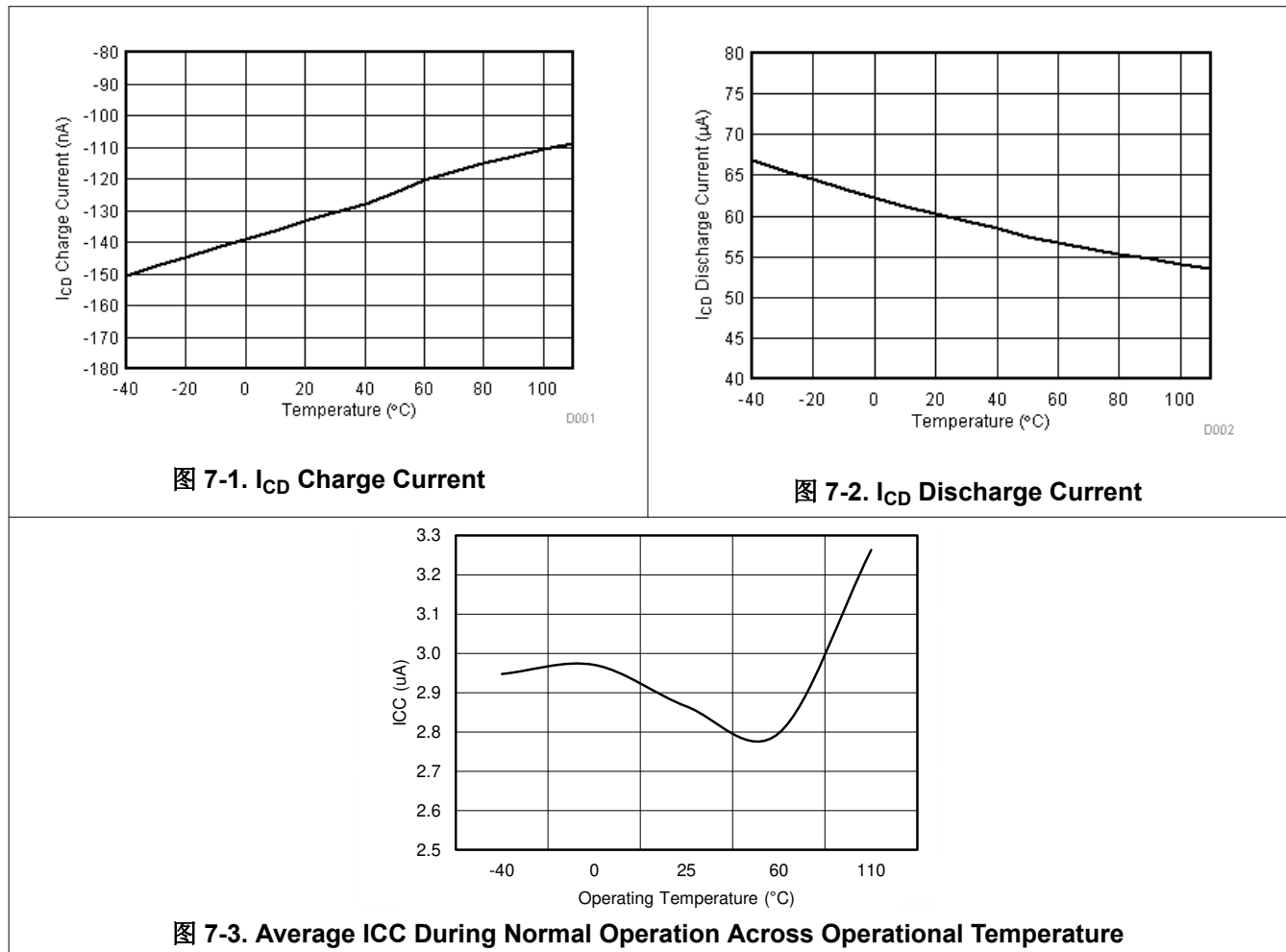
(1) Specified by design. Not 100% tested in production.

7.6 Recommended Cell Balancing Configurations

Typical values stated where $T_A = 25^\circ\text{C}$ and $(VC2 - VC1), (VC1 - GND) = 3.8\text{ V}$. Minimum and maximum values stated where $T_A = -40^\circ\text{C}$ to 105°C , $VDD = 4\text{ V}$ to 10 V , and $(VC2 - VC1), (VC1 - GND) = 3\text{ V}$ to 4.2 V . All values assume recommended supply voltage filter resistance R_{VD} of $100\ \Omega$ and 5% accurate or better cell balance resistor R_{CBext} .

		MIN	NOM	MAX	UNIT
I_{CB}	Cell balance input current				
	$R_{CBext} = 4700\ \Omega$	0.5	0.75	1	mA
	$R_{CBext} = 2200\ \Omega$	1	1.5	2	
	$R_{CBext} = 910\ \Omega$	2	3	4	
	$R_{CBext} = 560\ \Omega$	3	4.5	6	
	$R_{CBext} = 360\ \Omega$	3.5	6	8.5	
	$R_{CBext} = 240\ \Omega$	4	7.5	11	
$R_{CBext} = 120\ \Omega$	5	10	15		

7.7 Typical Characteristics



8 Detailed Description

8.1 Overview

The BQ29209-Q1 provides overvoltage protection and cell balancing for 2-series cell lithium-ion battery packs.

8.1.1 Voltage Protection

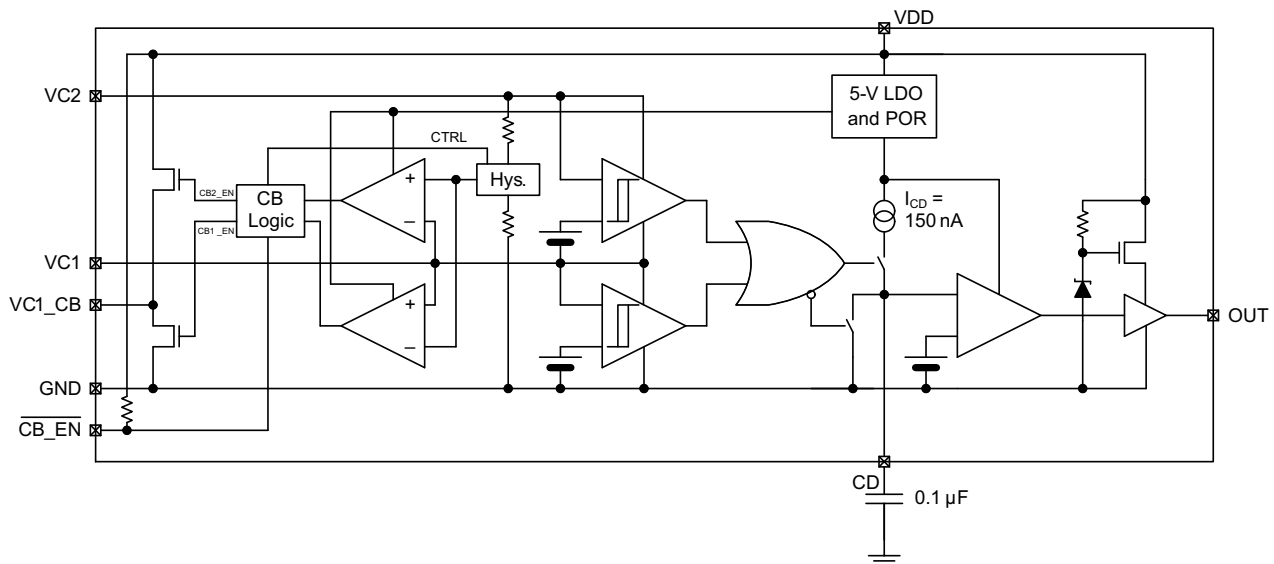
Each cell voltage is continuously compared to a factory configured internal reference threshold. If either cell reaches an overvoltage condition, the BQ29209-Q1 device starts a timer that provides a delay proportional to the capacitance on the CD pin. Upon expiration of the internal timer, the OUT pin changes from a low to high state.

8.1.2 Cell Balancing

If enabled, the BQ29209-Q1 performs automatic cell-balance correction where the two cells are automatically corrected for voltage imbalance by loading the cell with the higher voltage with a small balancing current. When the cells are measured to be equal within nominally 0 mV, the load current is removed. It will be re-applied if the imbalance exceeds nominally 30 mV. The cell mismatch correction circuitry is enabled by pulling the $\overline{\text{CB_EN}}$ pin low, and disabled when $\overline{\text{CB_EN}}$ is pulled to greater than 2.2 V, for example, VDD.

If the internal cell balancing current of up to 15 mA is insufficient, the BQ29209-Q1 may be configured via external circuitry to support much higher external cell balancing current.

8.2 Functional Block Diagram



8.3 Feature Description

8.3.1 Protection (OUT) Timing

Sizing the external capacitor is based on the desired delay time as follows:

$$C_{CD} = \frac{t_d}{X_{DELAY}}$$

Where t_d is the desired delay time and X_{DELAY} is the overvoltage delay time scale factor, expressed in seconds per microfarad. X_{DELAY} is nominally 9 s/ μF . For example, if a nominal delay of 3 seconds is desired, use a C_{CD} capacitor that is 3 s / 9 s/ μF = 0.33 μF .

The delay time is calculated as follows:

$$t_d = C_{CD} \times X_{DELAY}$$

If the cell overvoltage condition is removed before the external capacitor reaches the reference voltage, the internal current source is disabled and an internal discharge block is employed to discharge the external capacitor down to 0 V. In this instance, the OUT pin remains in a low state.

8.3.2 Cell Voltage > V_{PROTECT}

When one or both of the cell voltages rises above V_{PROTECT} , the internal comparator is tripped, and the delay begins to count to t_d . If the input remains above V_{PROTECT} for the duration of t_d , the BQ29209-Q1 output changes from a low to a high state, by means of an internal pull-up network, to a regulated voltage of no more than 9.5 V when $I_{\text{OH}} = 0$ mA.

The external delay capacitor should charge up to no more than the internal LDO voltage (approximately 5 V typically), and will fully discharge in approximately under 100 ms when the overvoltage condition is removed.

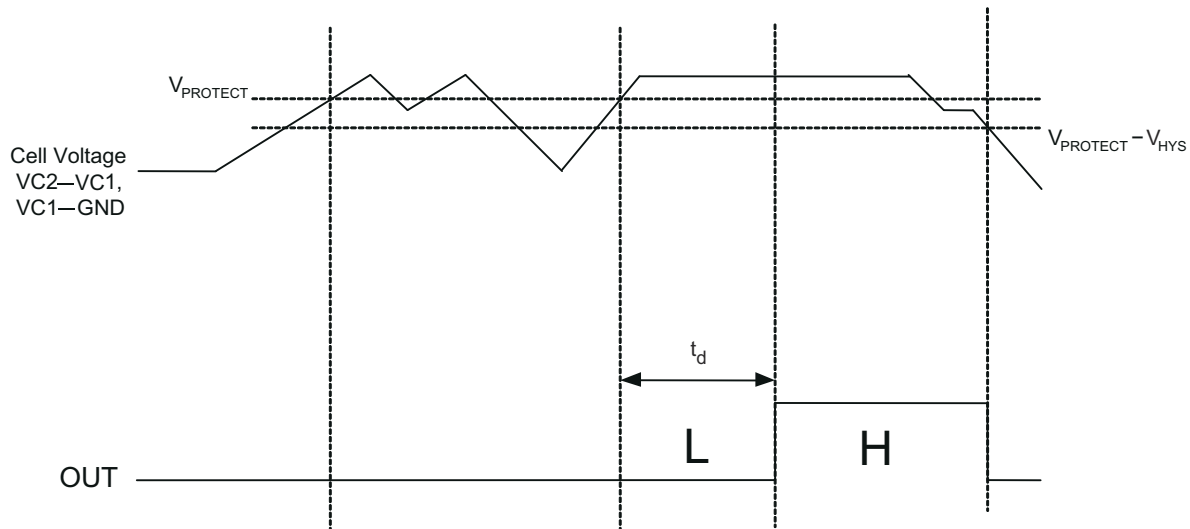


图 8-1. Timing for Overvoltage Sensing

8.3.3 Cell Connection Sequence

Note

Before connecting the cells, populate the overvoltage delay timing capacitor, C_{CD} .

The recommended cell connection sequence begins from the bottom of the stack, as follows:

1. GND
2. VC1
3. VC2

While not advised, connecting the cells in a sequence other than that described above does not result in errant activity on the OUT pin. For example:

1. GND
2. VC2 or VC1
3. Remaining VCx pin

Note

Using any cell connection sequence that does not connect GND first may result in increased leakage current drawn by the VDD pin.

8.3.4 Cell Balance Enable Control

To avoid prematurely discharging the cells, it is recommended to turn off (pull high) the active-low Cell Balance Enable Control pin at lower state-of-charge (SOC) levels.

8.3.5 Cell Balance Configuration

The following cell balancing details relate to 图 8-2.

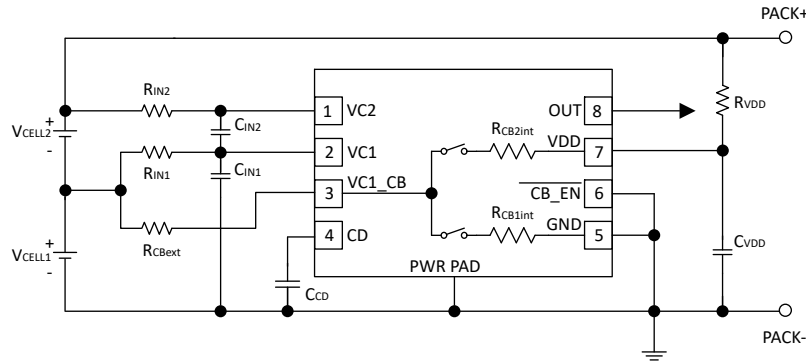


图 8-2. Simplified Schematic for Cell Balancing Description

The cell balancing current may be calculated as follows:

For Cell 1 balancing current, I_{CB1} :

$$I_{CB1} = \frac{V_{CELL1}}{R_{CBext} + R_{CB1int}}$$

(1)

For Cell 2 balancing current, I_{CB2} :

$$I_{CB2} = \frac{V_{CELL2}}{R_{CBext} + R_{CB2int} + R_{VDD}}$$

(2)

Where:

R_{CBext} = resistor connected between the top of Cell 1 and the VC1_CB pin

R_{IN1} = resistor connected between the top of Cell 1 and the VC1 pin

R_{IN2} = resistor connected between the top of Cell 2 and the VC2 pin

R_{VDD} = resistor connected between the top of Cell 2 and the VDD pin

8.3.6 Cell Imbalance Auto-Detection (Via Cell Voltage)

The $V_{MM_DET_ON}$ and $V_{MM_DET_OFF}$ specifications are calibrated where $VDD = VC2 = 7.6 V$ and $VC1 = 3.8 V$. The recommended range of cell balancing is $VC2$ and VDD between 6.0 V and 8.4 V, and $VC1$ between 3 V and 4.2 V. Below $VDD = 6 V$, it is recommended to pull $\overline{CB_EN}$ high to disable the cell balancing function.

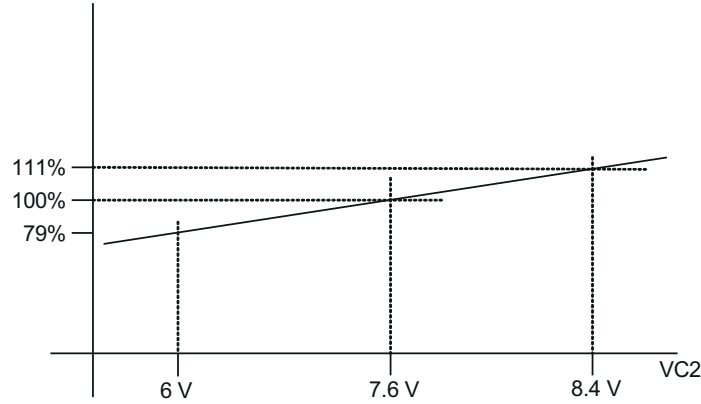


图 8-3. $V_{MM_DET_ON}$ and $V_{MM_DET_OFF}$ Threshold

8.3.7 Customer Test Mode

Customer Test Mode (CTM) helps to greatly reduce the overvoltage detection delay time and enable quicker customer production testing. This mode is intended for quick-pass board-level verification tests, and, as such, individual cell overvoltage levels may deviate slightly from the specifications ($V_{PROTECT}$, V_{OA}). If accurate overvoltage thresholds are to be tested, use the standard delay settings that are intended for normal use.

To enter CTM, VDD should be set to approximately 9.5 V higher than VC2. When CTM is entered, the device switches from the normal overvoltage delay time scale factor, X_{DELAY} , to a significantly reduced factor of approximately 0.08, thereby reducing the delay time during an overvoltage condition.

CAUTION

Avoid exceeding any Absolute Maximum Voltages on any pins when placing the part into CTM. Also, avoid exceeding absolute maximum voltages for the individual cell voltages ($VC1 - GND$) and ($VC2 - VC1$). Stressing the pins beyond the rated limits may cause permanent damage to the device.

To exit CTM, power off the device and then power it back on.

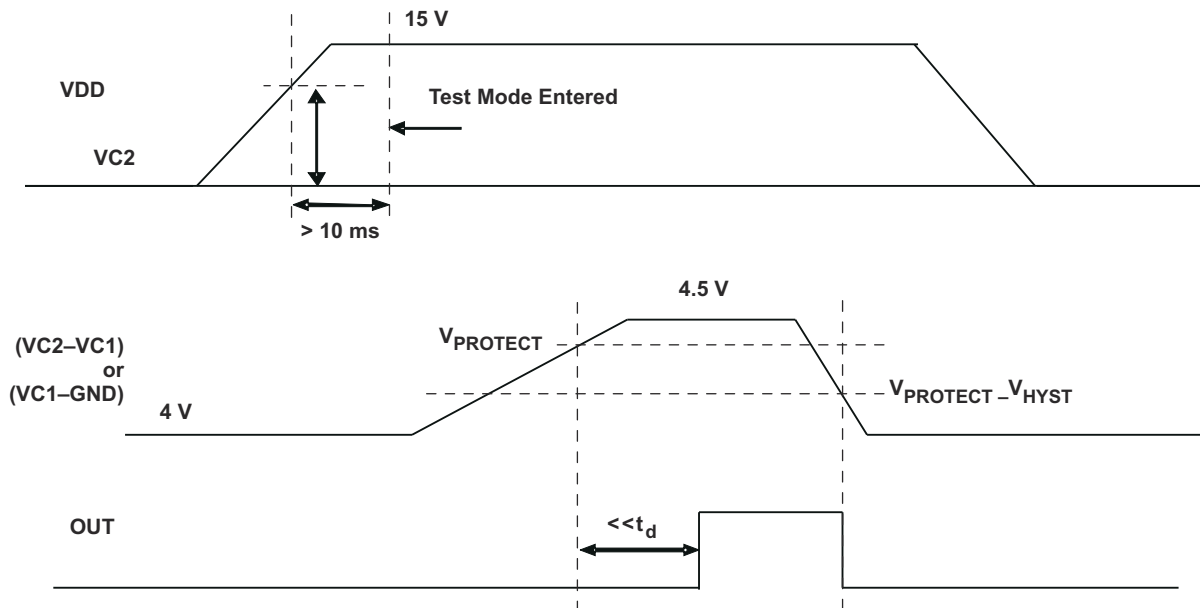


图 8-4. Voltage Test Limits

8.3.8 Test Conditions

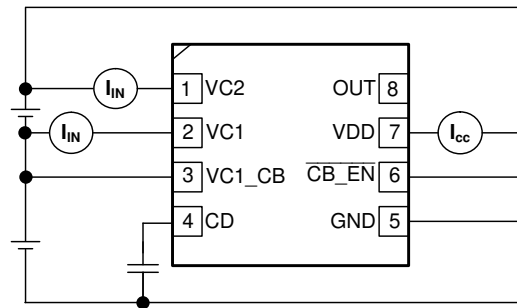


图 8-5. I_{CC} , I_{IN} Measurement

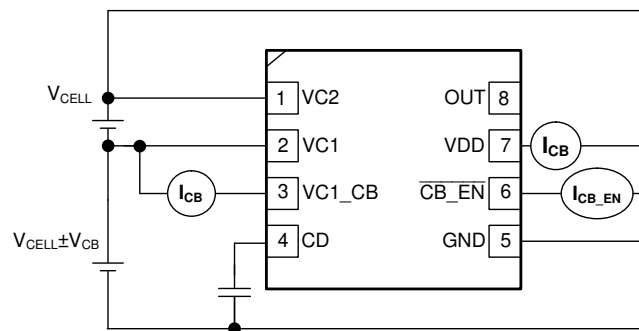


图 8-6. I_{CB} Measurement

8.4 Device Functional Modes

This device monitors the voltage of the cells connected to the VCx pins and depending on these voltages and the overall battery voltage at VDD the device enters different operating modes.

8.4.1 NORMAL Mode

The device is operating in NORMAL mode when the cell voltage range is between the over-charge detection threshold ($V_{PROTECT}$) and the minimum supply voltage.

If this condition is satisfied, the device turns OFF the OUT pin.

8.4.2 PROTECTION Mode

The device is operating in PROTECTION mode when the cell over voltage protection feature has been triggered. See [§ 8.3.2](#) for more details on this feature.

If this condition is satisfied, the device turns ON the OUT pin.

9 Application and Implementation

Note

以下应用部分的信息不属于 TI 组件规范，TI 不担保其准确性和完整性。客户应负责确定 TI 组件是否适用于其应用。客户应验证并测试其设计，以确保系统功能。

9.1 Application Information

The BQ29209-Q1 is designed to be used in 2-series Li-Ion battery packs and with the option to include voltage-based cell balancing. The number of parallel cells or the overall capacity of the battery only affects the cell balancing circuit due to the level of potential imbalance that needs to be corrected.

9.2 Typical Applications

9.2.1 Battery Connection

图 9-1 shows the configuration for the 2-series cell battery connection with cell balancing enabled.

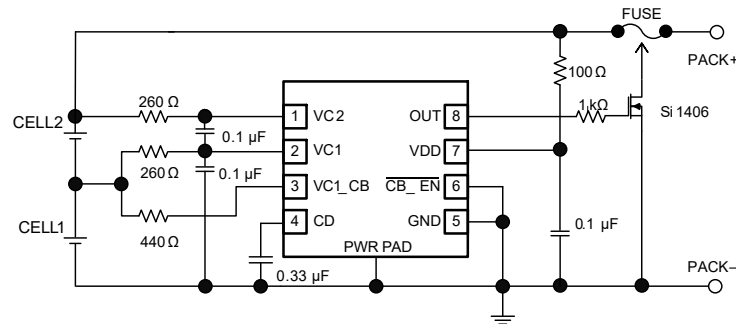


图 9-1. 2-Series Cell Configuration

9.2.1.1 Design Requirements

For this design example, use the parameters listed in 表 9-1.

表 9-1. Design Parameters

DESIGN PARAMETER	EXAMPLE VALUE at $T_A = 25^\circ\text{C}$
Input voltage range	4 V to 10 V
Overshoot Protection (OVT)	4.3 V
Overshoot detection delay time	3 s
Overshoot detection delay timer capacitor	0.33 μF
Cell Balancing Enabled	Yes
Cell Balancing Current, I_{CB1} and I_{CB2}	5 mA (targeted at a nominal cell voltage of 3.8 V)
Cell Balancing Resistors, R_{CBext} , R_{IN1} , R_{IN2} and R_{VD}	$R_{CBext} = 440 \Omega$, $R_{IN1} = 260 \Omega$, $R_{IN2} = 260 \Omega$, $R_{VD} = 100 \Omega$

9.2.1.2 Detailed Design Procedure

The BQ29209-Q1 has limited features but there are some key calculations to be made when selecting external component values.

- Calculate the required C_{CD} capacitor value for the voltage protection delay time. Care should be taken to evaluate the tolerances of the capacitor and the BQ29209-Q1 to ensure system specifications are met.
- Calculate the cell balancing resistor values to provide a suitable level of balancing current that will, at a minimum, counter act an increase in imbalance during normal operation of the battery. Care should be taken to ensure any connectivity resistance is also considered as this will also reduce the balancing current level.

9.2.1.3 Application Curve

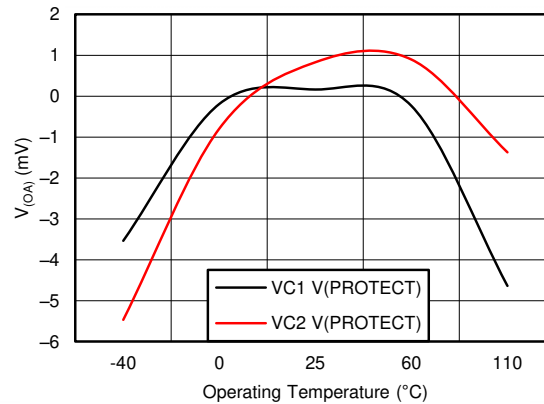


图 9-2. Average V_{PROTECT} Accuracy (V_{OA}) Across Operation Temperature

9.3 System Example

9.3.1 External Cell Balancing

Higher cell balancing currents can be supported by means of a simple external network, as shown in 图 9-3.

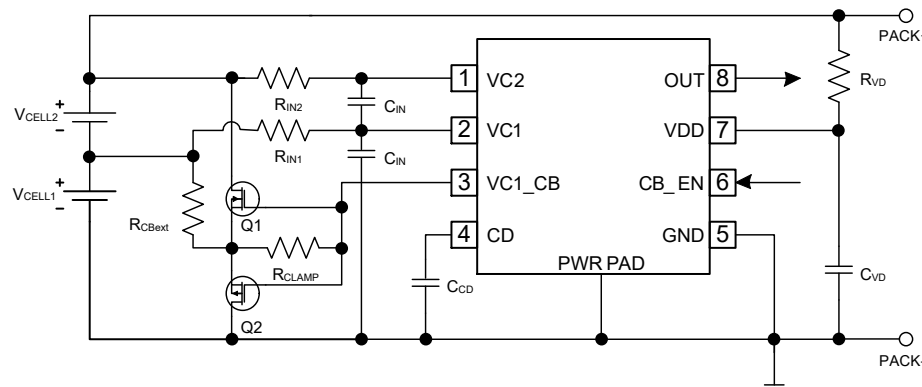


图 9-3. External Cell Balancing Configuration

The VC1_CB pin is tri-stated when cell balancing is disabled, is driven low by the internal logic to enable balancing on CELL1, and is driven high by the internal logic to enable balancing on CELL2. R_{CLAMP} ensures that both Q1 and Q2 remain off when balancing is disabled, and should be sized above $2 \text{ k}\Omega$ to prevent excessive internal device current when the balancing network is activated. If R_{CLAMP} is too small, then the gate-source voltage required to enable the external FETs cannot be achieved. R_{CBEXT} determines the value of the balancing current, and is dependent on the voltage of the balanced cell and the specific Q1 and Q2 transistors used in the design (due to the transistors operating in saturation mode during balancing). The balancing currents (assuming the current through R_{CLAMP} is not significant) are given as follows:

$$I_{CB1} = \frac{(V_{CELL1} - V_{SG_Q2})}{R_{CBext}} \quad (3)$$

$$I_{CB2} = \frac{(V_{CELL2} - V_{GS_Q1})}{R_{CBext}} \quad (4)$$

10 Power Supply Recommendations

The recommended power supply for this device is a maximum 10-V operation on the VDD input pin.


11 Layout


11.1 Layout Guidelines

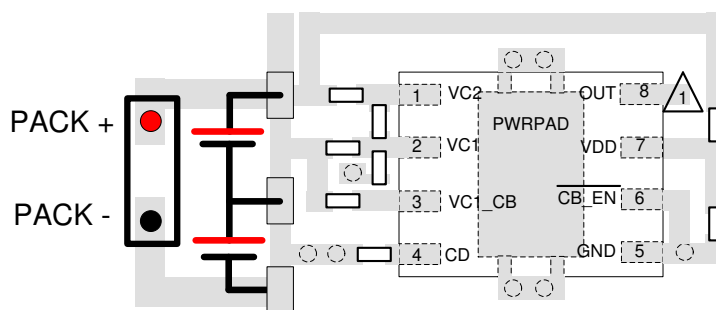
The following are the recommended layout guidelines:

1. Ensure the input filters to the VC1 and VC2 pins are as close to the IC as possible to improve noise immunity.
2. If the OUT pin is used to control a high current path, for example: to blow a chemical fuse, then care should be taken to ensure the high current path creates minimal interference of the BQ29209-Q1 voltage sense inputs.
3. The input RC filter on the VDD pin should be close to the terminal of the IC.

11.2 Layout Example

 Additional circuitry required based on usage of the OUT pin

 Via connects between two layers



12 Device and Documentation Support

12.1 Documentation Support

For additional information, see the following related document:

- [BQ29209-Q1 Functional Safety FIT Rate, FMD, and Pin FMA Application Report](#)

12.2 接收文档更新通知

要接收文档更新通知，请导航至 ti.com 上的器件产品文件夹。点击 [订阅更新](#) 进行注册，即可每周接收产品信息更改摘要。有关更改的详细信息，请查看任何已修订文档中包含的修订历史记录。

12.3 支持资源

[TI E2E™ 支持论坛](#) 是工程师的重要参考资料，可直接从专家获得快速、经过验证的解答和设计帮助。搜索现有解答或提出自己的问题可获得所需的快速设计帮助。

链接的内容由各个贡献者“按原样”提供。这些内容并不构成 TI 技术规范，并且不一定反映 TI 的观点；请参阅 TI 的《[使用条款](#)》。

12.4 Trademarks

TI E2E™ is a trademark of Texas Instruments.

所有商标均为其各自所有者的财产。

12.5 静电放电警告



静电放电 (ESD) 会损坏这个集成电路。德州仪器 (TI) 建议通过适当的预防措施处理所有集成电路。如果不遵守正确的处理和安装程序，可能会损坏集成电路。

ESD 的损坏小至导致微小的性能降级，大至整个器件故障。精密的集成电路可能更容易受到损坏，这是因为非常细微的参数更改都可能会导致器件与其发布的规格不相符。

12.6 术语表

[TI 术语表](#) 本术语表列出并解释了术语、首字母缩略词和定义。

13 Mechanical, Packaging, and Orderable Information

The following pages include mechanical, packaging, and orderable information. This information is the most current data available for the designated devices. This data is subject to change without notice and revision of this document. For browser-based versions of this data sheet, refer to the left-hand navigation.

PACKAGING INFORMATION

Orderable Device	Status (1)	Package Type	Package Drawing	Pins	Package Qty	Eco Plan (2)	Lead finish/ Ball material (6)	MSL Peak Temp (3)	Op Temp (°C)	Device Marking (4/5)	Samples
BQ29209TDRBRQ1	ACTIVE	SON	DRB	8	3000	RoHS & Green	NIPDAU	Level-2-260C-1 YEAR	-40 to 105	209Q1	Samples
BQ29209TDRBTQ1	ACTIVE	SON	DRB	8	250	RoHS & Green	NIPDAU	Level-2-260C-1 YEAR	-40 to 105	209Q1	Samples

(1) The marketing status values are defined as follows:

ACTIVE: Product device recommended for new designs.

LIFEBUY: TI has announced that the device will be discontinued, and a lifetime-buy period is in effect.

NRND: Not recommended for new designs. Device is in production to support existing customers, but TI does not recommend using this part in a new design.

PREVIEW: Device has been announced but is not in production. Samples may or may not be available.

OBSELETE: TI has discontinued the production of the device.

(2) **RoHS:** TI defines "RoHS" to mean semiconductor products that are compliant with the current EU RoHS requirements for all 10 RoHS substances, including the requirement that RoHS substance do not exceed 0.1% by weight in homogeneous materials. Where designed to be soldered at high temperatures, "RoHS" products are suitable for use in specified lead-free processes. TI may reference these types of products as "Pb-Free".

RoHS Exempt: TI defines "RoHS Exempt" to mean products that contain lead but are compliant with EU RoHS pursuant to a specific EU RoHS exemption.

Green: TI defines "Green" to mean the content of Chlorine (Cl) and Bromine (Br) based flame retardants meet JS709B low halogen requirements of <=1000ppm threshold. Antimony trioxide based flame retardants must also meet the <=1000ppm threshold requirement.

(3) MSL, Peak Temp. - The Moisture Sensitivity Level rating according to the JEDEC industry standard classifications, and peak solder temperature.

(4) There may be additional marking, which relates to the logo, the lot trace code information, or the environmental category on the device.

(5) Multiple Device Markings will be inside parentheses. Only one Device Marking contained in parentheses and separated by a "~" will appear on a device. If a line is indented then it is a continuation of the previous line and the two combined represent the entire Device Marking for that device.

(6) Lead finish/Ball material - Orderable Devices may have multiple material finish options. Finish options are separated by a vertical ruled line. Lead finish/Ball material values may wrap to two lines if the finish value exceeds the maximum column width.

Important Information and Disclaimer:The information provided on this page represents TI's knowledge and belief as of the date that it is provided. TI bases its knowledge and belief on information provided by third parties, and makes no representation or warranty as to the accuracy of such information. Efforts are underway to better integrate information from third parties. TI has taken and continues to take reasonable steps to provide representative and accurate information but may not have conducted destructive testing or chemical analysis on incoming materials and chemicals. TI and TI suppliers consider certain information to be proprietary, and thus CAS numbers and other limited information may not be available for release.

In no event shall TI's liability arising out of such information exceed the total purchase price of the TI part(s) at issue in this document sold by TI to Customer on an annual basis.

TAPE AND REEL INFORMATION

QUADRANT ASSIGNMENTS FOR PIN 1 ORIENTATION IN TAPE


*All dimensions are nominal

Device	Package Type	Package Drawing	Pins	SPQ	Reel Diameter (mm)	Reel Width W1 (mm)	A0 (mm)	B0 (mm)	K0 (mm)	P1 (mm)	W (mm)	Pin1 Quadrant
BQ29209TDRBRQ1	SON	DRB	8	3000	330.0	12.4	3.3	3.3	1.1	8.0	12.0	Q2
BQ29209TDRBTQ1	SON	DRB	8	250	180.0	12.4	3.3	3.3	1.1	8.0	12.0	Q2

TAPE AND REEL BOX DIMENSIONS


*All dimensions are nominal

Device	Package Type	Package Drawing	Pins	SPQ	Length (mm)	Width (mm)	Height (mm)
BQ29209TDRBRQ1	SON	DRB	8	3000	367.0	367.0	35.0
BQ29209TDRBTQ1	SON	DRB	8	250	210.0	185.0	35.0

DRB 8

GENERIC PACKAGE VIEW

VSON - 1 mm max height

PLASTIC SMALL OUTLINE - NO LEAD



Images above are just a representation of the package family, actual package may vary.
Refer to the product data sheet for package details.

4203482/L

DRB0008B



PACKAGE OUTLINE

VSON - 1 mm max height

PLASTIC SMALL OUTLINE - NO LEAD



4218876/A 12/2017

NOTES:

1. All linear dimensions are in millimeters. Any dimensions in parenthesis are for reference only. Dimensioning and tolerancing per ASME Y14.5M.
2. This drawing is subject to change without notice.
3. The package thermal pad must be soldered to the printed circuit board for thermal and mechanical performance.

EXAMPLE BOARD LAYOUT

DRB0008B

VSON - 1 mm max height

PLASTIC SMALL OUTLINE - NO LEAD



LAND PATTERN EXAMPLE
SCALE:20X



SOLDER MASK DETAILS

4218876/A 12/2017

NOTES: (continued)

4. This package is designed to be soldered to a thermal pad on the board. For more information, see Texas Instruments literature number SLUA271 (www.ti.com/lit/sluea271).
5. Vias are optional depending on application, refer to device data sheet. If any vias are implemented, refer to their locations shown on this view. It is recommended that vias under paste be filled, plugged or tented.

EXAMPLE STENCIL DESIGN

DRB0008B

VSON - 1 mm max height

PLASTIC SMALL OUTLINE - NO LEAD



SOLDER PASTE EXAMPLE
BASED ON 0.125 mm THICK STENCIL

EXPOSED PAD
81% PRINTED SOLDER COVERAGE BY AREA
SCALE:25X

4218876/A 12/2017

NOTES: (continued)

6. Laser cutting apertures with trapezoidal walls and rounded corners may offer better paste release. IPC-7525 may have alternate design recommendations.

重要声明和免责声明

TI“按原样”提供技术和可靠性数据（包括数据表）、设计资源（包括参考设计）、应用或其他设计建议、网络工具、安全信息和其他资源，不保证没有瑕疵且不做任何明示或暗示的担保，包括但不限于对适销性、某特定用途方面的适用性或不侵犯任何第三方知识产权的暗示担保。

这些资源可供使用 TI 产品进行设计的熟练开发人员使用。您将自行承担以下全部责任：(1) 针对您的应用选择合适的 TI 产品，(2) 设计、验证并测试您的应用，(3) 确保您的应用满足相应标准以及任何其他功能安全、信息安全、监管或其他要求。

这些资源如有变更，恕不另行通知。TI 授权您仅可将这些资源用于研发本资源所述的 TI 产品的应用。严禁对这些资源进行其他复制或展示。您无权使用任何其他 TI 知识产权或任何第三方知识产权。您应全额赔偿因在这些资源的使用中对 TI 及其代表造成的任何索赔、损害、成本、损失和债务，TI 对此概不负责。

TI 提供的产品受 [TI 的销售条款](#) 或 [ti.com](#) 上其他适用条款/TI 产品随附的其他适用条款的约束。TI 提供这些资源并不会扩展或以其他方式更改 TI 针对 TI 产品发布的适用的担保或担保免责声明。

TI 反对并拒绝您可能提出的任何其他或不同的条款。

邮寄地址：Texas Instruments, Post Office Box 655303, Dallas, Texas 75265

Copyright © 2023，德州仪器 (TI) 公司