

SN74GTL2003 8 位双向低压转换器

1 特性

- 无需方向控制即可提供双向电压转换
- 支持从 0.95V 至高达 5V 的电压电平转换
- 可与 GTL、GTL+、LVTTTL/TTL 以及 5V CMOS 电平直接相连
- 在容性负载 $\leq 20\text{pF}$ 时，支持 50MHz 的上行或下行转换
- 输入和输出引脚 (Sn/Dn) 之间的导通状态电阻较低
- 支持热插入
- 无需电源 - 不会发生闩锁
- 5V 耐压输入
- 低待机电流
- 直通引脚排列可简化印刷电路板布线

2 应用

- 需要实现 0.95V 至 5V 范围内任意两电压双向或单向转换的应用
- 低电压处理器 I²C 端口到 3.3V 或 5V I²C 总线信号电平的转换
- GTL/GTL+ 到 LVTTTL/TTL 信号电平的转换
- HPC 服务器
- 透析机
- 服务路由器
- 服务器

3 说明

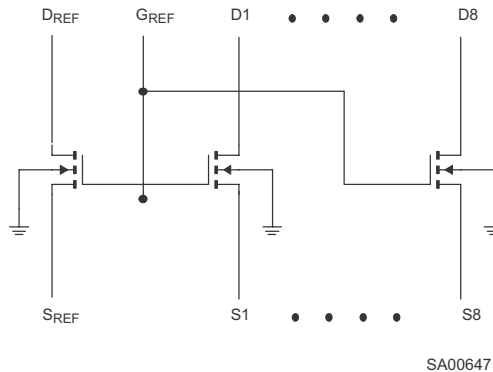
SN74GTL2003 器件提供有 8 个 N 型金属氧化物半导体 (NMOS) 导通晶体管 (Sn 和 Dn)、1 个公共栅极 (G_{REF}) 和 1 个基准晶体管 (S_{REF} 和 D_{REF})。此开关具有低导通状态电阻，可以最短传播延迟建立连接。该器件无需方向控制引脚即可实现 0.95V 至 5V 范围内任意两电压的双向转换。

SN74GTL2003 中的所有晶体管具有相同的电气特性，而且各输出间的电压偏差或传播延迟偏差非常小。这能够为晶体管装配不对称的分立晶体管电压转换解决方案提供出色的匹配特性。由于所有晶体管是相同的，因此可将基准晶体管 (S_{REF}/D_{REF}) 置于其他 8 个匹配的 Sn/Dn 晶体管中的任意一个上，从而简化电路板布线。该转换晶体管集成有静电放电 (ESD) 电路，可提供出色的 ESD 保护。

封装信息⁽¹⁾

器件型号	封装	封装尺寸 (标称值)
SN74GTL2003	PW (TSSOP, 20)	6.50mm × 4.40mm
	RKS (VQFN, 20)	4.50mm × 2.50mm

(1) 如需了解所有可用封装，请参阅数据表末尾的可订购产品附录。



简化钳位电路原理图



Table of Contents

1 特性	1	8.3 Feature Description.....	8
2 应用	1	8.4 Device Functional Modes.....	9
3 说明	1	9 Application and Implementation	10
4 Revision History	2	9.1 Application Information.....	10
5 Pin Configuration and Functions	3	9.2 Typical Applications.....	10
6 Specifications	4	10 Power Supply Recommendations	15
6.1 Absolute Maximum Ratings.....	4	11 Layout	16
6.2 ESD Ratings.....	4	11.1 Layout Guidelines.....	16
6.3 Recommended Operating Conditions.....	4	11.2 Layout Example.....	16
6.4 Thermal Information.....	4	12 Device and Documentation Support	17
6.5 Electrical Characteristics.....	5	12.1 Receiving Notification of Documentation Updates..	17
6.6 Switching Characteristics.....	5	12.2 接收文档更新通知.....	17
6.7 Switching Characteristics.....	5	12.3 支持资源.....	17
6.8 Typical Characteristics.....	6	12.4 Trademarks.....	17
7 Parameter Measurement Information	7	12.5 Electrostatic Discharge Caution.....	17
8 Detailed Description	8	12.6 术语表.....	17
8.1 Overview.....	8	13 Mechanical, Packaging, and Orderable Information	17
8.2 Functional Block Diagram.....	8		

4 Revision History

注：以前版本的页码可能与当前版本的页码不同

Changes from Revision C (September 2016) to Revision D (September 2022)	Page
• 更新了整个文档中的表格、图和交叉参考的编号格式.....	1
• Updated definition of the switching characteristics table.....	5
Changes from Revision B (June 2015) to Revision C (September 2016)	Page
• 更新了特性.....	1
• Updated pinout images to new format.....	3
• Added <i>Receiving Notification of Documentation Updates</i> section.....	17
Changes from Revision A (March 2013) to Revision B (June 2015)	Page
• 添加了 <i>ESD</i> 等级表、特性说明部分、器件功能模式、应用和实施部分、电源相关建议部分、布局部分、器件和文档支持部分以及机械、封装和可订购信息部分.....	1

5 Pin Configuration and Functions

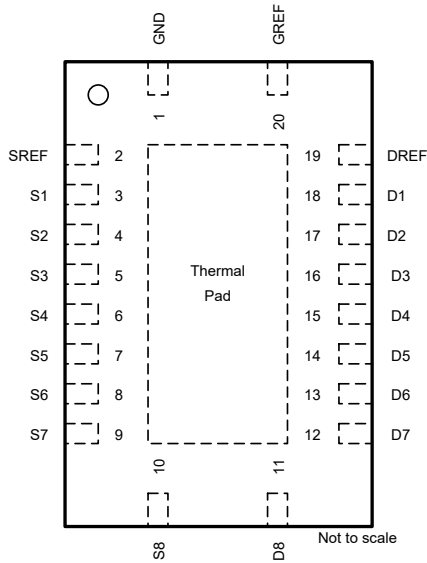


图 5-1. RKS Package, 20-Pin VQFN (Top View)

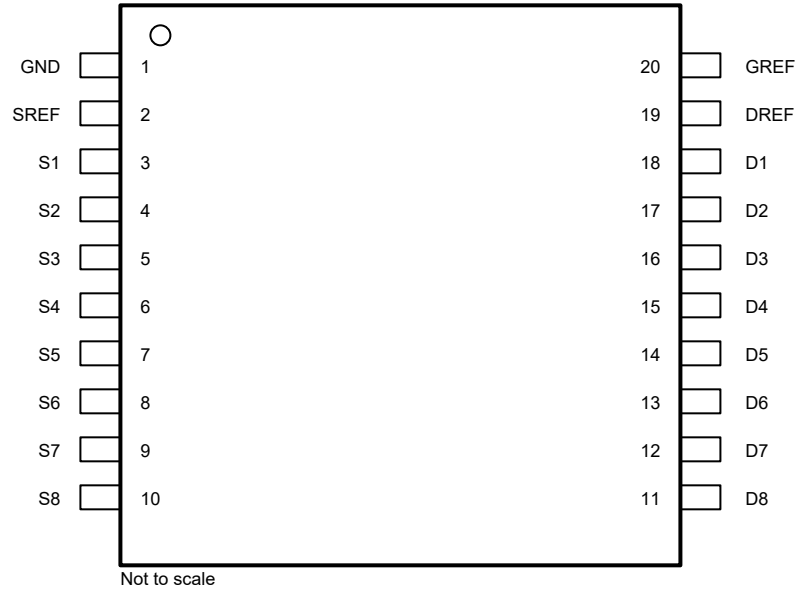


图 5-2. PW Package, 20-Pin TSSOP (Top View)

表 5-1. Pin Functions

PIN		TYPE ⁽¹⁾	DESCRIPTION
NAME	NO.		
D1	18	I/O	GTL drain port
D2	17	I/O	GTL drain port
D3	16	I/O	GTL drain port
D4	15	I/O	GTL drain port
D5	14	I/O	GTL drain port
D6	13	I/O	GTL drain port
D7	12	I/O	GTL drain port
D8	11	I/O	GTL drain port
D _{REF}	19	—	Drain of reference transistor, tie directly to G _{REF} and pull up to reference voltage through a 200-k Ω resistor
GND	1	—	Ground
G _{REF}	20	—	Gate of reference transistor, tie directly to D _{REF} and pull up to reference voltage through a 200-k Ω resistor
S1	3	I/O	LVTTL/TTL source port
S2	4	I/O	LVTTL/TTL source port
S3	5	I/O	LVTTL/TTL source port
S4	6	I/O	LVTTL/TTL source port
S5	7	I/O	LVTTL/TTL source port
S6	8	I/O	LVTTL/TTL source port
S7	9	I/O	LVTTL/TTL source port
S8	10	I/O	LVTTL/TTL source port
S _{REF}	2	—	Source of reference transistor

(1) I = input, O = output

6 Specifications

6.1 Absolute Maximum Ratings

over operating free-air temperature range (unless otherwise noted)⁽¹⁾

		MIN	MAX	UNIT
V _{SREF}	DC source reference voltage	- 0.5	7	V
V _{DREF}	DC drain reference voltage	- 0.5	7	V
V _{GREF}	DC gate reference voltage	- 0.5	7	V
V _{Sn}	DC voltage port Sn	- 0.5	7	V
V _{Dn}	DC voltage port Dn	- 0.5	7	V
I _{REFK}	DC diode current on reference pins	V _I < 0 V	- 50	mA
I _{SK}	DC diode current port Sn	V _I < 0V	- 50	mA
I _{DK}	DC diode current port Dn	V _I < 0 V	- 50	mA
I _{MAX}	DC clamp current per channel	Channel is ON state	±128	mA
T _{stg}	Storage temperature	- 65	150	°C

- (1) Stresses beyond those listed under *Absolute Maximum Ratings* may cause permanent damage to the device. These are stress ratings only, which do not imply functional operation of the device at these or any other conditions beyond those indicated under *Recommended Operating Conditions*. Exposure to absolute-maximum-rated conditions for extended periods may affect device reliability.

6.2 ESD Ratings

		VALUE	UNIT
V _(ESD)	Electrostatic discharge	Human body model (HBM), per ANSI/ESDA/JEDEC JS-001 ⁽¹⁾	±2000
		Charged-device model (CDM), per JEDEC specification JESD22-C101 ⁽²⁾	±1000

- (1) JEDEC document JEP155 states that 500-V HBM allows safe manufacturing with a standard ESD control process.
 (2) JEDEC document JEP157 states that 250-V CDM allows safe manufacturing with a standard ESD control process.

6.3 Recommended Operating Conditions

over operating free-air temperature range (unless otherwise noted)⁽¹⁾

		MIN	MAX	UNIT
V _{I/O}	Input/output voltage (Sn, Dn)	0	5.5	V
V _{SREF}	DC source reference voltage ⁽¹⁾	0	5.5	V
V _{DREF}	DC drain reference voltage	0	5.5	V
V _{GREF}	DC gate reference voltage	0	5.5	V
I _{PASS}	Pass transistor current		64	mA
T _A	Operating ambient temperature (in free air)	- 40	85	°C

- (1) V_{SREF} = V_{DREF} - 1.5 V for best results in level-shifting applications.

6.4 Thermal Information

THERMAL METRIC ⁽¹⁾		SN74GTL2003		UNIT
		PW (TSSOP)	RKS (VQFN)	
		20 PINS	20 PINS	
R _{θJA}	Junction-to-ambient thermal resistance	83	81	°C/W
R _{θJC(top)}	Junction-to-case (top) thermal resistance	32	36	°C/W

- (1) For more information about traditional and new thermal metrics, see the [Semiconductor and IC Package Thermal Metrics](#) application report.

6.5 Electrical Characteristics

over recommended operating free-air temperature range, $V_{CC} = 3.3 \text{ V} \pm 0.3 \text{ V}$ (unless otherwise noted)

PARAMETER		TEST CONDITIONS ⁽¹⁾		MIN	TYP ⁽¹⁾	MAX	UNIT	
V_{OL}	Low-level output voltage	$V_{DD} = 3 \text{ V}$, $V_{SREF} = 1.365 \text{ V}$, V_{Sn} or $V_{Dn} = 0.175 \text{ V}$, $I_{clamp} = 15.2 \text{ mA}$			260	350	mV	
V_{IK}	Input clamp voltage	$I_I = -18 \text{ mA}$	$V_{GREF} = 0 \text{ V}$			-1.2	V	
I_{IH}	Gate input leakage	$V_I = 5 \text{ V}$	$V_{GREF} = 0 \text{ V}$			5	μA	
$C_{I(GREF)}$	Gate capacitance	$V_I = 3 \text{ V}$ or 0 V			56		pF	
$C_{IO(OFF)}$	OFF capacitance	$V_O = 3 \text{ V}$ or 0 V	$V_{GREF} = 0 \text{ V}$		7.4		pF	
$C_{IO(ON)}$	ON capacitance	$V_O = 3 \text{ V}$ or 0 V	$V_{GREF} = 3 \text{ V}$		18.6		pF	
r_{on} ⁽²⁾	ON-state resistance	$V_I = 0 \text{ V}$	$V_{GREF} = 4.5 \text{ V}$	$I_O = 64 \text{ mA}$		3.5	5	Ω
			$V_{GREF} = 3 \text{ V}$			4.4	7	
			$V_{GREF} = 2.3 \text{ V}$			5.5	9	
			$V_{GREF} = 1.5 \text{ V}$			67	105	
			$V_{GREF} = 1.5 \text{ V}$,		$I_O = 30 \text{ mA}$		9	
		$V_I = 2.4 \text{ V}$	$V_{GREF} = 4.5 \text{ V}$	$I_O = 15 \text{ mA}$		7	10	
			$V_{GREF} = 3 \text{ V}$			58	80	
			$V_{GREF} = 2.3 \text{ V}$			50	70	

(1) All typical values are measured at $T_A = 25^\circ\text{C}$.

(2) Measured by the voltage drop between the Sn and the Dn terminals at the indicated current through the switch. ON-state resistance is determined by the lowest voltage of the two (Sn or Dn) terminals.

6.6 Switching Characteristics

$V_{REF} = 1.365 \text{ V}$ to 1.635 V , $V_{DD1} = 3 \text{ V}$ to 3.6 V , $V_{DD2} = 2.36 \text{ V}$ to 2.64 V , $GND = 0 \text{ V}$, $t_r = t_f \leq 3 \text{ ns}$, $T_A = -40^\circ\text{C}$ to $+85^\circ\text{C}$
(see [图 9-1](#))⁽¹⁾

PARAMETER		MIN	TYP ⁽²⁾	MAX	UNIT
t_{PLH} ⁽³⁾	Propagation delay (Sn to Dn, Dn to Sn)	0.5	1.5	5.5	ns

(1) $C_{ON(max)}$ of 30 pF and a $C_{OFF(max)}$ of 15 pF is specified by design.

(2) All typical values are measured at $V_{DD1} = 3.3 \text{ V}$, $V_{DD2} = 2.5 \text{ V}$, $V_{REF} = 1.5 \text{ V}$ and $T_A = 25^\circ\text{C}$.

(3) Propagation delay specified by characterization.

6.7 Switching Characteristics

$V_{GREF} = 5 \text{ V} \pm 0.5 \text{ V}$, $GND = 0 \text{ V}$, $T_A = -40^\circ\text{C}$ to $+85^\circ\text{C}$
(see [图 9-1](#))

PARAMETER		MIN	TYP	MAX	UNIT
t_{PD}	Propagation delay ⁽¹⁾			250	ps

(1) This parameter is warranted but not production tested. The propagation delay is based on the RC time constant of the typical ON-state resistance of the switch and a load capacitance of 50 pF, when driven by a voltage source with zero output impedance.

6.8 Typical Characteristics

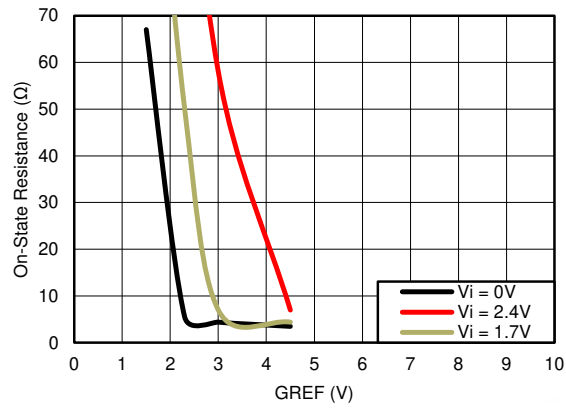


图 6-1. ON-Resistance vs G_{REF} Typical Curves

7 Parameter Measurement Information

C_L = Load Capacitance, includes jig and probe capacitance (see # 6.5 for value)

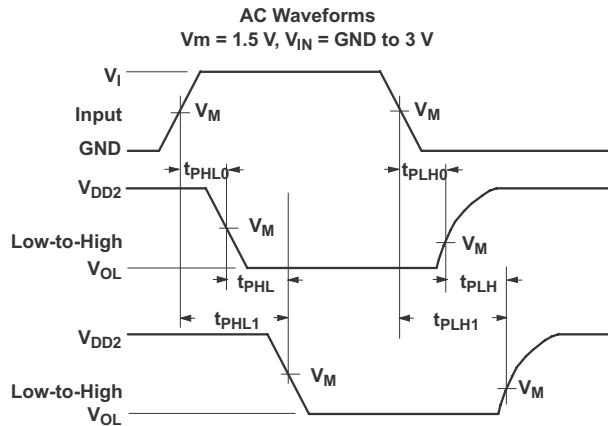


图 7-1. Input (Sn) to Output (Dn) Propagation Delays

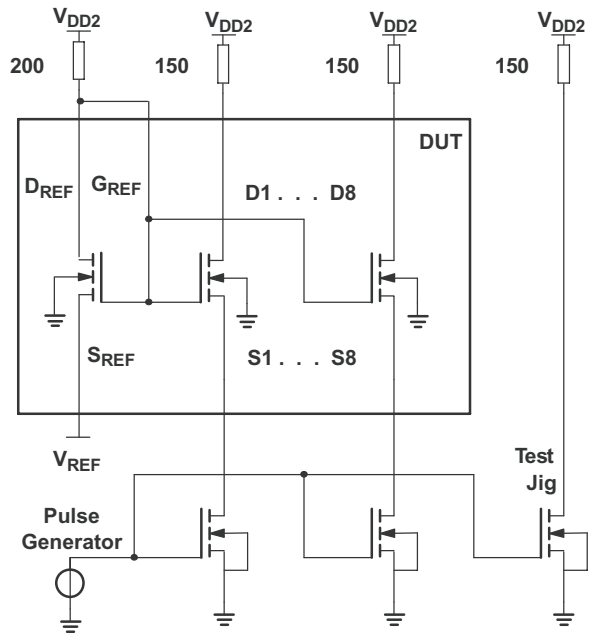


图 7-2. Load Circuit

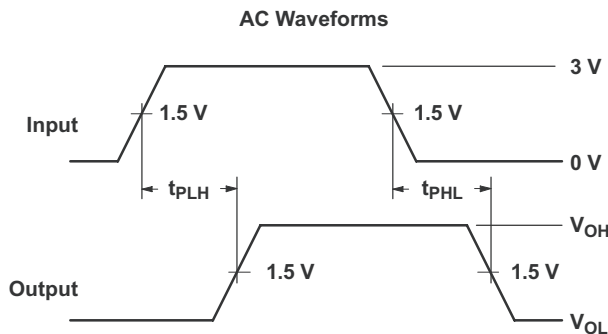


图 7-3. Input (Sn) to Output (Dn) Propagation Delays

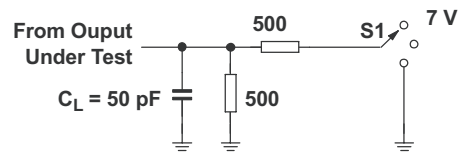


图 7-4. Load Circuit

表 7-1. Test Conditions

TEST	S1
t_{pd}	Open
t_{PLZ}/t_{PZL}	7 V
T_{PHZ}/T_{PZH}	Open

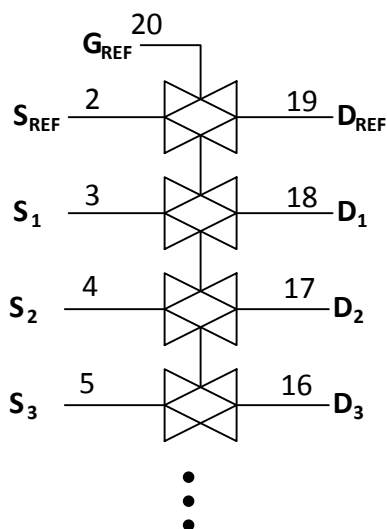
8 Detailed Description

8.1 Overview

The SN74GTL2003 device provides eight NMOS pass transistors (S_n and D_n) with a common gate (G_{REF}) and a reference transistor (S_{REF} and D_{REF}). The low ON-state resistance of the switch allows connections to be made with minimal propagation delay. With no direction control pin required, the device allows bidirectional voltage translations from any voltage (0.95 V to 5 V) to any voltage (0.95 V to 5 V).

When the S_n or D_n port is LOW, the clamp is in the ON state and a low-resistance connection exists between the S_n and D_n ports. Assuming the higher voltage is on the D_n port, when the D_n port is HIGH, the voltage on the S_n port is limited to the voltage set by the reference transistor (S_{REF}). When the S_n port is HIGH, the D_n port is pulled to VCC by the pullup resistors.

8.2 Functional Block Diagram



8.3 Feature Description

8.3.1 Provides Bidirectional Voltage Translation With No Direction Control Required

Because the circuit acts essentially as a pass transistor, no direction pin is needed, as data is allowed to flow both ways.

8.3.2 Flow Through Pinout

Allocated pins for input and output A on right side and input and output B on left side. Reduces the need for multi-layer board layout or long traces through the system.

8.4 Device Functional Modes

**表 8-1. High to Low Translation
(Assuming Dn is at the Higher Voltage Level)**

$G_{REF}^{(1)}$	D_{REF}	S_{REF}	INPUTS D8 - D1	OUTPUT S8 - S1	TRANSISTOR
H	H	0 V	X	X	Off
H		$V_{TT}^{(2)}$	H	$V_{TT}^{(3)}$	On
H		V_{TT}	L	$L^{(4)}$	On
L	L	$0 - V_{TT}$	X	X	Off

- (1) G_{REF} should be at least 1.5 V higher than S_{REF} for best translator operation.
- (2) V_{TT} is equal to the S_{REF} voltage.
- (3) Sn is not pulled up or pulled down.
- (4) Sn follows the Dn input LOW.

**表 8-2. Low to High Translation
(Assuming Dn is at the Higher Voltage Level)**

$G_{REF}^{(1)}$	D_{REF}	S_{REF}	INPUTS D8 - D1	OUTPUT S8 - S1	TRANSISTOR
H	H	0 V	X	X	Off
H	H	$V_{TT}^{(2)}$	V_{TT}	$H^{(3)}$	Nearly Off
H	H	V_{TT}	L	$L^{(4)}$	On
L	L	$0 - V_{TT}$	X	X	Off

- (1) G_{REF} should be at least 1.5 V higher than S_{REF} for best translator operation.
- (2) V_{TT} is equal to the S_{REF} voltage.
- (3) Dn is pulled up to VCC through an external resistor.
- (4) Dn follows the Sn input LOW.

9 Application and Implementation

备注

以下应用部分中的信息不属于 TI 器件规格的范围，TI 不担保其准确性和完整性。TI 的客户应负责确定器件是否适用于其应用。客户应验证并测试其设计，以确保系统功能。

9.1 Application Information

SN74GTL2003 is a GTL/GTL+ to LVTTTL/TTL bidirectional voltage level translator. This device can be used in both unidirectional applications and bidirectional. Please find the reference schematics and recommended values for passive components in [# 9.2](#).

9.2 Typical Applications

9.2.1 Bidirectional Translation

For the bidirectional clamping configuration (higher voltage to lower voltage or lower voltage to higher voltage), the G_{REF} input must be connected to D_{REF} and both pins pulled to HIGH-side V_{CC} through a pullup resistor (typically 200 k Ω). TI recommends a filter capacitor on D_{REF} . The processor output can be totem pole or open drain (pullup resistors) and the chipset output can be totem pole or open drain (pullup resistors are required to pull the Dn outputs to V_{CC}). However, if either output is totem pole, data must be unidirectional or the outputs must be 3-statable, and the outputs must be controlled by some direction-control mechanism to prevent HIGH-to-LOW contentions in either direction. If both outputs are open drain, no direction control is needed. The opposite side of the reference transistor (S_{REF}) is connected to the processor core power-supply voltage. When D_{REF} is connected through a 200-k Ω resistor to a 3.3-V to 5.5-V V_{CC} supply and S_{REF} is set from 1 V to V_{CC} 1.5 V, the output of each Sn has a maximum output voltage equal to S_{REF} , and the output of each Dn has a maximum output voltage equal to V_{CC} .

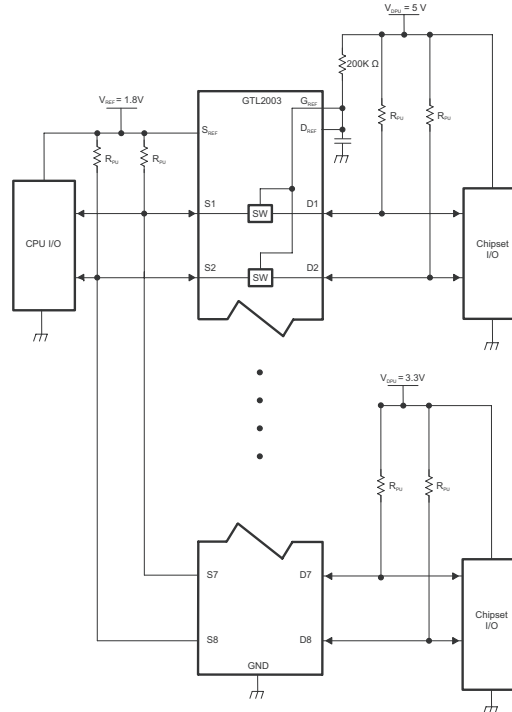


图 9-1. Bidirectional Translation to Multiple Higher Voltage Levels (Such as an I²C or SMBus Applications)

9.2.1.1 Design Requirements

- SN74GTL2003 requires industry standard GTL and LVTTTL/TTL voltage levels.
- Place pullup resistors of $\approx 200\text{ k}\Omega$ in all inputs/outputs to the GTL/TTL voltage levels.
- Place 0.1- μF bypass capacitors close to the power supply pins to reduce errors coupling in from noisy or high-impedance power supplies.
- Comply to the parameters in [# 6.3](#).

9.2.1.2 Detailed Design Procedure

9.2.1.2.1 Sizing Pullup Resistors

The pullup resistor value should limit the current through the pass transistor when it is in the on state to about 15 mA. This ensures a pass voltage of 260 mV to 350 mV. If the current through the pass transistor is higher than 15 mA, the pass voltage also is higher in the on state. To set the current through each pass transistor at 15 mA, the pullup resistor value is calculated as:

$$\text{Resistor value}(\Omega) = \frac{\text{Pullup voltage (V)} - 0.35\text{ V}}{0.015\text{ A}} \quad (1)$$

[表 9-1](#) provides resistor values for various reference voltages and currents at 15 mA, 10 mA, and 3 mA. The resistor value shown in the +10% column, or a larger value, should be used to ensure that the pass voltage of the transistor would be 350 mV or less. The external driver must be able to sink the total current from the resistors on both sides of the GTL device at 0.175 V, although the 15 mA only applies to current flowing through the SN74GTL2003.

表 9-1. Pullup Resistor Values^{(1) (2) (3) (4)}

PULLUP RESISTOR VALUE (Ω)						
VOLTAGE	15 mA		10 mA		3 mA	
	NOMINAL	+10%	NOMINAL	+10%	NOMINAL	+10%
5.0 V	310	341	465	512	1550	1705
3.3 V	197	217	295	325	983	1082
2.5 V	143	158	215	237	717	788
1.8 V	97	106	145	160	483	532
1.5 V	77	85	115	127	383	422
1.2 V	57	63	85	94	283	312

- (1) H = HIGH voltage level, L = LOW voltage level, X = do not care.
 (2) Calculated for $V_{OL} = 0.35\text{ V}$
 (3) Assumes output driver $V_{OL} = 0.175\text{ V}$ at stated current
 (4) +10% to compensate for V_{DD} range and resistor tolerance

9.2.1.3 Application Curve

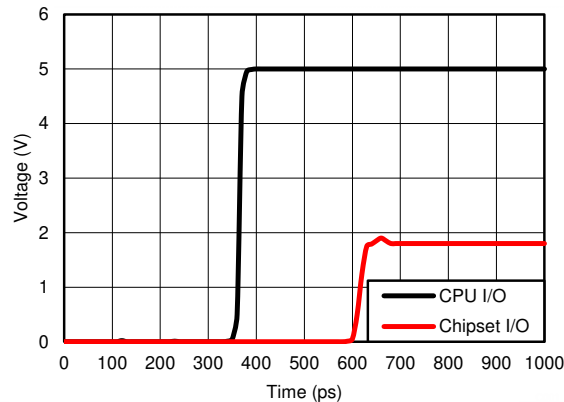


图 9-2. Signal Voltage vs Time (ps) (Simulated Design Results)

9.2.2 Unidirectional Down Translation

For unidirectional clamping (higher voltage to lower voltage), the G_{REF} input must be connected to D_{REF} and both pins pulled to the higher-side V_{CC} through a pullup resistor (typically $200\text{ k}\Omega$). TI recommends a filter capacitor on D_{REF} . Pullup resistors are required if the chipset I/Os are open drain. The opposite side of the reference transistor (S_{REF}) is connected to the processor core power supply voltage. When D_{REF} is connected through a $200\text{-k}\Omega$ resistor to a 3.3-V to 5.5-V V_{CC} supply and S_{REF} is set from 1 V to $V_{CC} - 1.5\text{ V}$, the output of each S_n has a maximum output voltage equal to S_{REF} .

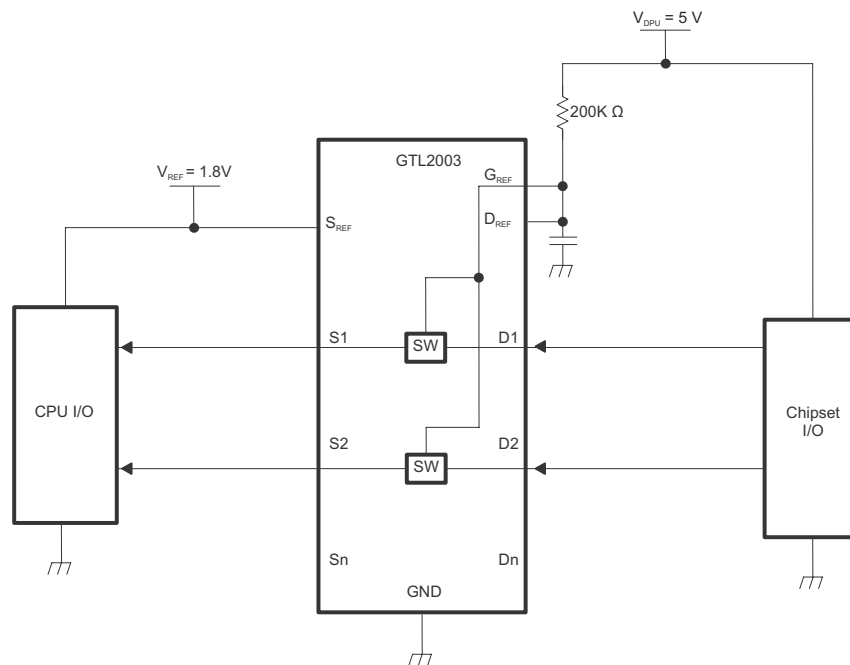


图 9-3. Unidirectional Down Translation to Protect Low-Voltage Processor Pins

9.2.2.1 Design Requirements

- SN74GTL2003 requires industry standard GTL and LVTTTL/TTL voltage levels.
- Place pullup resistors of $\approx 200\text{ k}\Omega$ in all inputs/outputs to the GTL/TTL voltage levels.
- Place $0.1\text{-}\mu\text{ F}$ bypass capacitors close to the power supply pins to reduce errors coupling in from noisy or high-impedance power supplies.

- Comply to the parameters in [# 6.3](#).

9.2.2.2 Detailed Design Procedure

9.2.2.2.1 Sizing Pullup Resistors

The pullup resistor value should limit the current through the pass transistor when it is in the on state to about 15 mA. This ensures a pass voltage of 260 mV to 350 mV. If the current through the pass transistor is higher than 15 mA, the pass voltage also is higher in the on state. To set the current through each pass transistor at 15 mA, the pullup resistor value is calculated as:

$$\text{Resistor value}(\Omega) = \frac{\text{Pullup voltage (V)} - 0.35 \text{ V}}{0.015 \text{ A}} \quad (2)$$

表 9-2 provides resistor values for various reference voltages and currents at 15 mA, 10 mA, and 3 mA. The resistor value shown in the +10% column, or a larger value, should be used to ensure that the pass voltage of the transistor would be 350 mV or less. The external driver must be able to sink the total current from the resistors on both sides of the GTL device at 0.175 V, although the 15 mA only applies to current flowing through the SN74GTL2003.

表 9-2. Pullup Resistor Values^{(1) (2) (3) (4)}

PULLUP RESISTOR VALUE (Ω)						
VOLTAGE	15 mA		10 mA		3 mA	
	NOMINAL	+10%	NOMINAL	+10%	NOMINAL	+10%
5.0 V	310	341	465	512	1550	1705
3.3 V	197	217	295	325	983	1082
2.5 V	143	158	215	237	717	788
1.8 V	97	106	145	160	483	532
1.5 V	77	85	115	127	383	422
1.2 V	57	63	85	94	283	312

(1) H = HIGH voltage level, L = LOW voltage level, X = do not care.

(2) Calculated for $V_{OL} = 0.35 \text{ V}$

(3) Assumes output driver $V_{OL} = 0.175 \text{ V}$ at stated current

(4) +10% to compensate for V_{DD} range and resistor tolerance

9.2.3 Unidirectional Up Translation

For unidirectional up translation (lower voltage to higher voltage), the reference transistor is connected the same as for a down translation. A pullup resistor is required on the higher voltage side (Dn or Sn) to get the full HIGH level, because the GTL device only passes the reference source (S_{REF}) voltage as a HIGH when doing an up translation. The driver on the lower voltage side only needs pullup resistors if it is open drain.

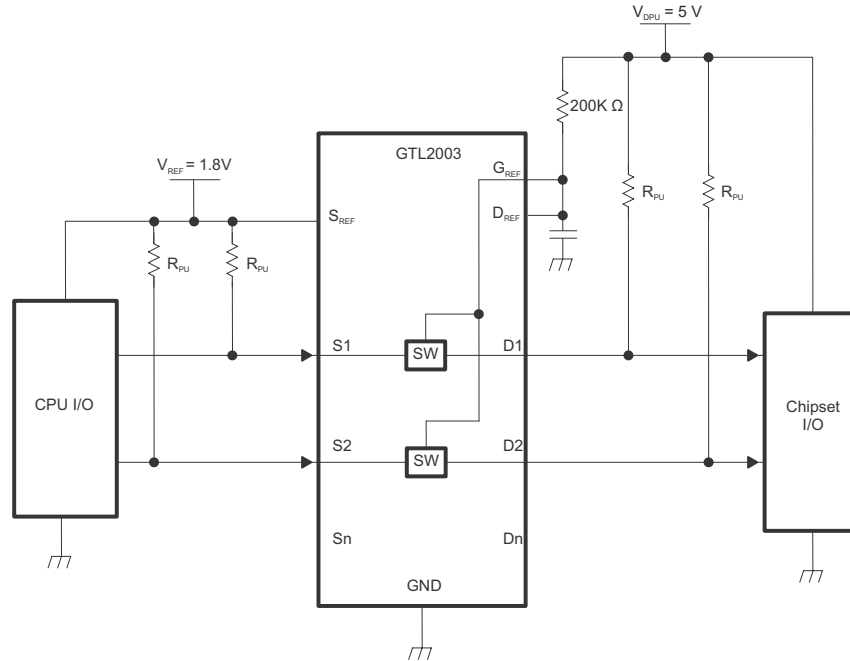


图 9-4. Unidirectional Up Translation to Higher-Voltage Chipsets

9.2.3.1 Design Requirements

- SN74GTL2003 requires industry standard GTL and LVTTTL/TTL voltage levels.
- Place pullup resistors of $\approx 200\text{ k}\Omega$ in all inputs/outputs to the GTL/TTL voltage levels.
- Place 0.1- μF bypass capacitors close to the power supply pins to reduce errors coupling in from noisy or high-impedance power supplies.
- Comply to the parameters in [节 6.3](#)

9.2.3.2 Detailed Design Procedure

9.2.3.2.1 Sizing Pullup Resistors

The pullup resistor value should limit the current through the pass transistor when it is in the on state to about 15 mA. This ensures a pass voltage of 260 mV to 350 mV. If the current through the pass transistor is higher than 15 mA, the pass voltage also is higher in the on state. To set the current through each pass transistor at 15 mA, the pullup resistor value is calculated as:

$$\text{Resistor value}(\Omega) = \frac{\text{Pullup voltage}(V) - 0.35\text{ V}}{0.015\text{ A}} \tag{3}$$

表 9-3 provides resistor values for various reference voltages and currents at 15 mA, 10 mA, and 3 mA. The resistor value shown in the +10% column, or a larger value, should be used to ensure that the pass voltage of the transistor would be 350 mV or less. The external driver must be able to sink the total current from the resistors on both sides of the GTL device at 0.175 V, although the 15 mA only applies to current flowing through the SN74GTL2003.

表 9-3. Pullup Resistor Value^{(1) (2) (3) (4)}

PULLUP RESISTOR VALUE (Ω)						
VOLTAGE	15 mA		10 mA		3 mA	
	NOMINAL	+10%	NOMINAL	+10%	NOMINAL	+10%
5.0 V	310	341	465	512	1550	1705
3.3 V	197	217	295	325	983	1082
2.5 V	143	158	215	237	717	788

表 9-3. Pullup Resistor Value^{(1) (2) (3) (4)} (continued)

PULLUP RESISTOR VALUE (Ω)						
VOLTAGE	15 mA		10 mA		3 mA	
	NOMINAL	+10%	NOMINAL	+10%	NOMINAL	+10%
1.8 V	97	106	145	160	483	532
1.5 V	77	85	115	127	383	422
1.2 V	57	63	85	94	283	312

- (1) H = HIGH voltage level, L = LOW voltage level, X = do not care.
- (2) Calculated for $V_{OL} = 0.35$ V
- (3) Assumes output driver $V_{OL} = 0.175$ V at stated current
- (4) +10% to compensate for V_{DD} range and resistor tolerance

10 Power Supply Recommendations

Place 0.1- μ F bypass capacitors close to the power supply pins to reduce errors coupling in from noisy or high-impedance power supplies.

11 Layout

11.1 Layout Guidelines

For best operational performance of the device, use good PCB layout practices, including:

- Noise can propagate into analog circuitry through the power pins of the circuit as a whole, as well as the operational amplifier. Bypass capacitors are used to reduce the coupled noise by providing low impedance power sources local to the analog circuitry.
 - Connect low-ESR, 0.1- μ F ceramic bypass capacitors between each supply pin and ground, placed as close to the device as possible. A single bypass capacitor from V+ to ground is applicable for single supply applications.
- Separate grounding for analog and digital portions of circuitry is one of the simplest and most-effective methods of noise suppression. One or more layers on multilayer PCBs are usually devoted to ground planes. A ground plane helps distribute heat and reduces EMI noise pickup. Make sure to physically separate digital and analog grounds, paying attention to the flow of the ground current.
- To reduce parasitic coupling, run the input traces as far away from the supply or output traces as possible. If it is not possible to keep them separate, it is much better to cross the sensitive trace perpendicular as opposed to in parallel with the noisy trace.
- Place the external components as close to the device as possible. Keeping RF and RG close to the inverting input minimizes parasitic capacitance.
- Keep the length of input traces as short as possible. Always remember that the input traces are the most sensitive part of the circuit.
- Consider a driven, low-impedance guard ring around the critical traces. A guard ring can significantly reduce leakage currents from nearby traces that are at different potentials.

11.2 Layout Example

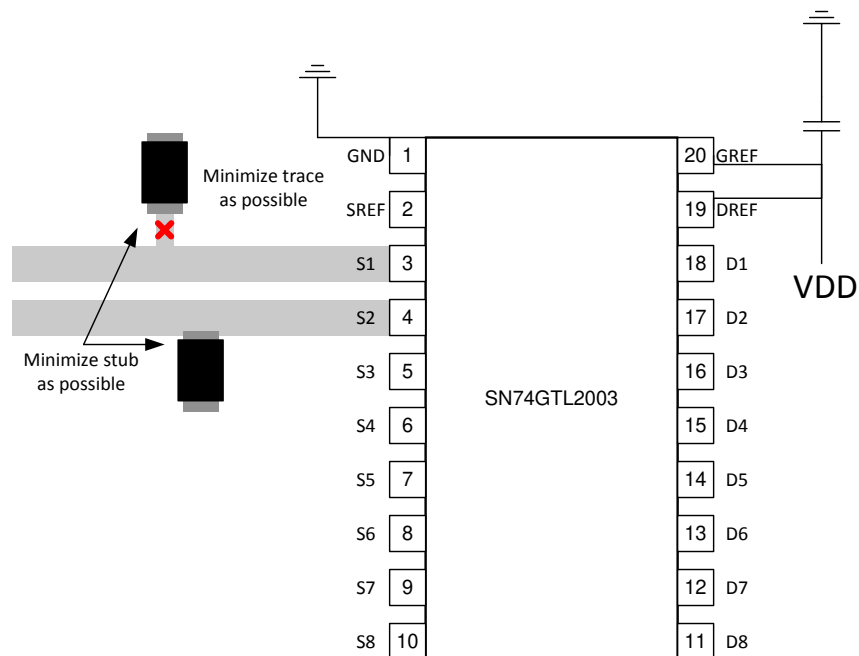


图 11-1. Layout Example for GTL Trace

12 Device and Documentation Support

12.1 Receiving Notification of Documentation Updates

To receive notification of documentation updates, navigate to the device product folder on ti.com. In the upper right corner, click on *Alert me* to register and receive a weekly digest of any product information that has changed. For change details, review the revision history included in any revised document.

12.2 接收文档更新通知

要接收文档更新通知，请导航至 ti.com 上的器件产品文件夹。点击 *订阅更新* 进行注册，即可每周接收产品信息更改摘要。有关更改的详细信息，请查看任何已修订文档中包含的修订历史记录。

12.3 支持资源

TI E2E™ 支持论坛是工程师的重要参考资料，可直接从专家获得快速、经过验证的解答和设计帮助。搜索现有解答或提出自己的问题可获得所需的快速设计帮助。

链接的内容由各个贡献者“按原样”提供。这些内容并不构成 TI 技术规范，并且不一定反映 TI 的观点；请参阅 TI 的《使用条款》。

12.4 Trademarks

TI E2E™ is a trademark of Texas Instruments.

所有商标均为其各自所有者的财产。

12.5 Electrostatic Discharge Caution



This integrated circuit can be damaged by ESD. Texas Instruments recommends that all integrated circuits be handled with appropriate precautions. Failure to observe proper handling and installation procedures can cause damage.

ESD damage can range from subtle performance degradation to complete device failure. Precision integrated circuits may be more susceptible to damage because very small parametric changes could cause the device not to meet its published specifications.

12.6 术语表

TI 术语表 本术语表列出并解释了术语、首字母缩略词和定义。

13 Mechanical, Packaging, and Orderable Information

The following pages include mechanical, packaging, and orderable information. This information is the most current data available for the designated devices. This data is subject to change without notice and revision of this document. For browser-based versions of this data sheet, refer to the left-hand navigation.

PACKAGING INFORMATION

Orderable Device	Status (1)	Package Type	Package Drawing	Pins	Package Qty	Eco Plan (2)	Lead finish/ Ball material (6)	MSL Peak Temp (3)	Op Temp (°C)	Device Marking (4/5)	Samples
SN74GTL2003PW	ACTIVE	TSSOP	PW	20	70	RoHS & Green	NIPDAU	Level-1-260C-UNLIM	-40 to 85	GK2003	Samples
SN74GTL2003PWR	ACTIVE	TSSOP	PW	20	2000	RoHS & Green	NIPDAU	Level-1-260C-UNLIM	-40 to 85	GK2003	Samples
SN74GTL2003RKSR	ACTIVE	VQFN	RKS	20	3000	RoHS & Green	NIPDAUAG	Level-1-260C-UNLIM	-40 to 85	GK2003	Samples

(1) The marketing status values are defined as follows:

ACTIVE: Product device recommended for new designs.

LIFEBUY: TI has announced that the device will be discontinued, and a lifetime-buy period is in effect.

NRND: Not recommended for new designs. Device is in production to support existing customers, but TI does not recommend using this part in a new design.

PREVIEW: Device has been announced but is not in production. Samples may or may not be available.

OBSOLETE: TI has discontinued the production of the device.

(2) **RoHS:** TI defines "RoHS" to mean semiconductor products that are compliant with the current EU RoHS requirements for all 10 RoHS substances, including the requirement that RoHS substance do not exceed 0.1% by weight in homogeneous materials. Where designed to be soldered at high temperatures, "RoHS" products are suitable for use in specified lead-free processes. TI may reference these types of products as "Pb-Free".

RoHS Exempt: TI defines "RoHS Exempt" to mean products that contain lead but are compliant with EU RoHS pursuant to a specific EU RoHS exemption.

Green: TI defines "Green" to mean the content of Chlorine (Cl) and Bromine (Br) based flame retardants meet JS709B low halogen requirements of <=1000ppm threshold. Antimony trioxide based flame retardants must also meet the <=1000ppm threshold requirement.

(3) MSL, Peak Temp. - The Moisture Sensitivity Level rating according to the JEDEC industry standard classifications, and peak solder temperature.

(4) There may be additional marking, which relates to the logo, the lot trace code information, or the environmental category on the device.

(5) Multiple Device Markings will be inside parentheses. Only one Device Marking contained in parentheses and separated by a "~" will appear on a device. If a line is indented then it is a continuation of the previous line and the two combined represent the entire Device Marking for that device.

(6) Lead finish/Ball material - Orderable Devices may have multiple material finish options. Finish options are separated by a vertical ruled line. Lead finish/Ball material values may wrap to two lines if the finish value exceeds the maximum column width.

Important Information and Disclaimer:The information provided on this page represents TI's knowledge and belief as of the date that it is provided. TI bases its knowledge and belief on information provided by third parties, and makes no representation or warranty as to the accuracy of such information. Efforts are underway to better integrate information from third parties. TI has taken and continues to take reasonable steps to provide representative and accurate information but may not have conducted destructive testing or chemical analysis on incoming materials and chemicals. TI and TI suppliers consider certain information to be proprietary, and thus CAS numbers and other limited information may not be available for release.

In no event shall TI's liability arising out of such information exceed the total purchase price of the TI part(s) at issue in this document sold by TI to Customer on an annual basis.

TAPE AND REEL INFORMATION

QUADRANT ASSIGNMENTS FOR PIN 1 ORIENTATION IN TAPE


*All dimensions are nominal

Device	Package Type	Package Drawing	Pins	SPQ	Reel Diameter (mm)	Reel Width W1 (mm)	A0 (mm)	B0 (mm)	K0 (mm)	P1 (mm)	W (mm)	Pin1 Quadrant
SN74GTL2003PWR	TSSOP	PW	20	2000	330.0	16.4	6.95	7.0	1.4	8.0	16.0	Q1
SN74GTL2003RKSR	VQFN	RKS	20	3000	177.8	12.4	2.73	4.85	1.03	4.0	12.0	Q1

TAPE AND REEL BOX DIMENSIONS

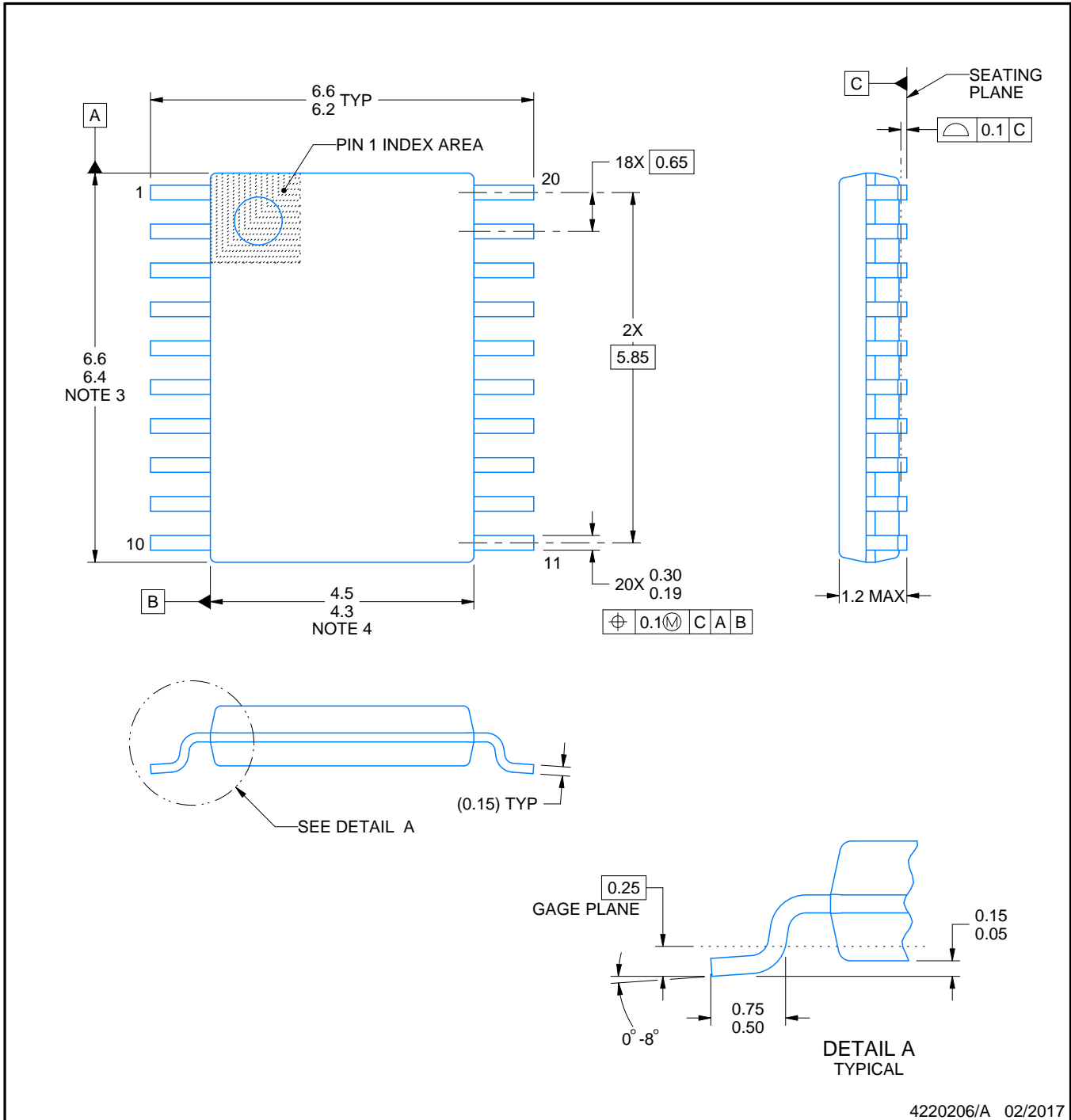

*All dimensions are nominal

Device	Package Type	Package Drawing	Pins	SPQ	Length (mm)	Width (mm)	Height (mm)
SN74GTL2003PWR	TSSOP	PW	20	2000	356.0	356.0	35.0
SN74GTL2003RKSR	VQFN	RKS	20	3000	202.0	201.0	28.0

TUBE


*All dimensions are nominal

Device	Package Name	Package Type	Pins	SPQ	L (mm)	W (mm)	T (μm)	B (mm)
SN74GTL2003PW	PW	TSSOP	20	70	530	10.2	3600	3.5



4220206/A 02/2017

NOTES:

1. All linear dimensions are in millimeters. Any dimensions in parenthesis are for reference only. Dimensioning and tolerancing per ASME Y14.5M.
2. This drawing is subject to change without notice.
3. This dimension does not include mold flash, protrusions, or gate burrs. Mold flash, protrusions, or gate burrs shall not exceed 0.15 mm per side.
4. This dimension does not include interlead flash. Interlead flash shall not exceed 0.25 mm per side.
5. Reference JEDEC registration MO-153.

EXAMPLE BOARD LAYOUT

PW0020A

TSSOP - 1.2 mm max height

SMALL OUTLINE PACKAGE



LAND PATTERN EXAMPLE
EXPOSED METAL SHOWN
SCALE: 10X



SOLDER MASK DETAILS

4220206/A 02/2017

NOTES: (continued)

- 6. Publication IPC-7351 may have alternate designs.
- 7. Solder mask tolerances between and around signal pads can vary based on board fabrication site.

EXAMPLE STENCIL DESIGN

PW0020A

TSSOP - 1.2 mm max height

SMALL OUTLINE PACKAGE



SOLDER PASTE EXAMPLE
BASED ON 0.125 mm THICK STENCIL
SCALE: 10X

4220206/A 02/2017

NOTES: (continued)

8. Laser cutting apertures with trapezoidal walls and rounded corners may offer better paste release. IPC-7525 may have alternate design recommendations.
9. Board assembly site may have different recommendations for stencil design.

PW (R-PDSO-G20)

PLASTIC SMALL OUTLINE



- NOTES:
- A. All linear dimensions are in millimeters.
 - B. This drawing is subject to change without notice.
 - C. Publication IPC-7351 is recommended for alternate design.
 - D. Laser cutting apertures with trapezoidal walls and also rounding corners will offer better paste release. Customers should contact their board assembly site for stencil design recommendations. Refer to IPC-7525 for other stencil recommendations.
 - E. Customers should contact their board fabrication site for solder mask tolerances between and around signal pads.

GENERIC PACKAGE VIEW

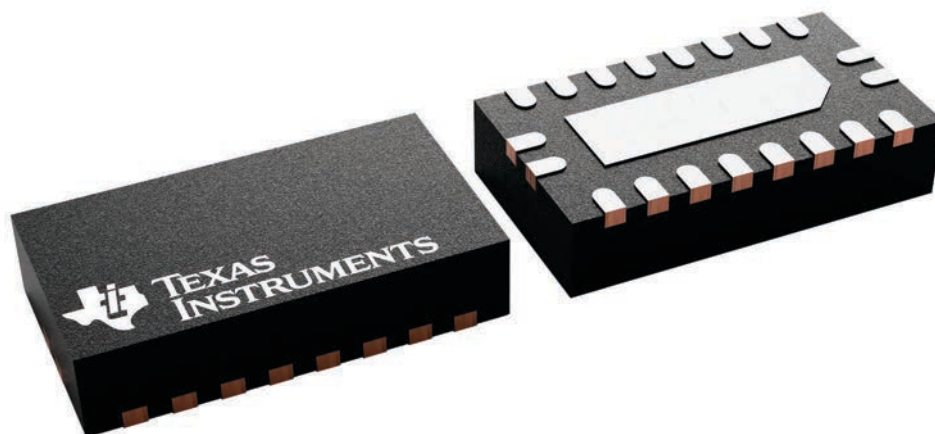
RKS 20

VQFN - 1 mm max height

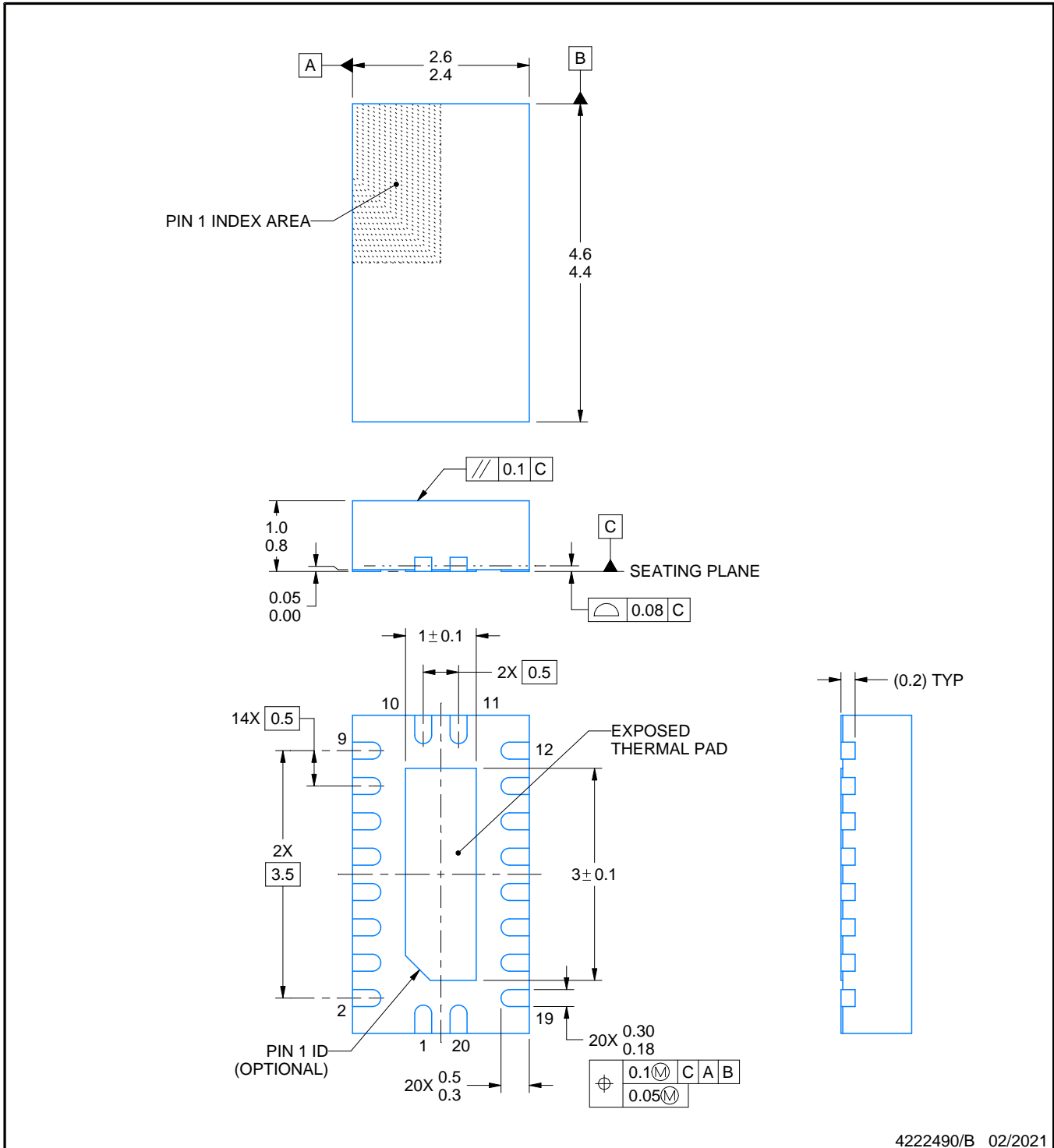
2.5 x 4.5, 0.5 mm pitch

PLASTIC QUAD FLATPACK - NO LEAD

This image is a representation of the package family, actual package may vary.
Refer to the product data sheet for package details.



4226872/A



NOTES:

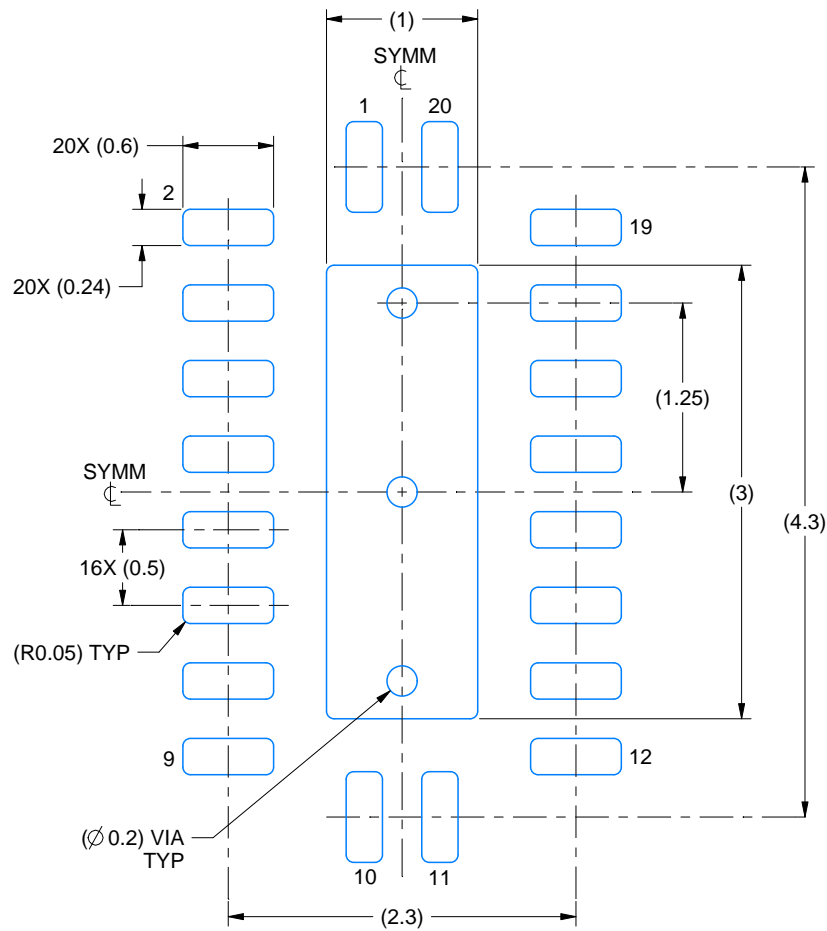
1. All linear dimensions are in millimeters. Any dimensions in parenthesis are for reference only. Dimensioning and tolerancing per ASME Y14.5M.
2. This drawing is subject to change without notice.
3. The package thermal pad must be soldered to the printed circuit board for thermal and mechanical performance.

EXAMPLE BOARD LAYOUT

RKS0020A

VQFN - 1 mm max height

PLASTIC QUAD FLATPACK - NO LEAD



LAND PATTERN EXAMPLE
SCALE:20X



SOLDER MASK DETAILS

4222490/B 02/2021

NOTES: (continued)

- This package is designed to be soldered to a thermal pad on the board. For more information, see Texas Instruments literature number SLUA271 (www.ti.com/lit/slua271).
- Vias are optional depending on application, refer to device data sheet. If some or all are implemented, recommended via locations are shown.

重要声明和免责声明

TI“按原样”提供技术和可靠性数据（包括数据表）、设计资源（包括参考设计）、应用或其他设计建议、网络工具、安全信息和其他资源，不保证没有瑕疵且不做任何明示或暗示的担保，包括但不限于对适销性、某特定用途方面的适用性或不侵犯任何第三方知识产权的暗示担保。

这些资源可供使用 TI 产品进行设计的熟练开发人员使用。您将自行承担以下全部责任：(1) 针对您的应用选择合适的 TI 产品，(2) 设计、验证并测试您的应用，(3) 确保您的应用满足相应标准以及任何其他功能安全、信息安全、监管或其他要求。

这些资源如有变更，恕不另行通知。TI 授权您仅可将这些资源用于研发本资源所述的 TI 产品的应用。严禁对这些资源进行其他复制或展示。您无权使用任何其他 TI 知识产权或任何第三方知识产权。您应全额赔偿因在这些资源的使用中对 TI 及其代表造成的任何索赔、损害、成本、损失和债务，TI 对此概不负责。

TI 提供的产品受 [TI 的销售条款](#) 或 [ti.com](#) 上其他适用条款/TI 产品随附的其他适用条款的约束。TI 提供这些资源并不会扩展或以其他方式更改 TI 针对 TI 产品发布的适用的担保或担保免责声明。

TI 反对并拒绝您可能提出的任何其他或不同的条款。

邮寄地址：Texas Instruments, Post Office Box 655303, Dallas, Texas 75265

Copyright © 2022，德州仪器 (TI) 公司