

## 具有双路 LDO 的 TPS65000-Q1 2.25 MHz 降压转换器

### 1 特性

- 符合汽车应用 要求
- 具有符合 AEC-Q100 标准的下列结果：
  - 器件温度 2 级：  
环境工作温度范围为  $-40^{\circ}\text{C}$  至  $+105^{\circ}\text{C}$
  - 器件人体放电模式 (HBM) 静电防护 (ESD) 分类等级 H2
  - 器件组件充电模式 (CDM) ESD 分类等级 C4B
- 降压转换器：
  - $V_{\text{IN}}$  范围从 2.3V 至 6V
  - 用于降低电磁干扰 (EMI) 的展频时钟 (SSC) 系列产品
  - 2.25MHz 固定频率运行
  - 600mA 输出电流
- LDO：
  - $V_{\text{IN}}$  范围从 1.6V 至 6V
  - 可调输出电压
  - 高达 300mA 输出电流
  - 独立电源输入和使能
- 3 mm x 3 mm 16 引脚 WQFN

### 2 应用

- 汽车摄像头模块
- 汽车信息娱乐系统
- 汽车仪表盘
- 汽车传感器融合

### 3 说明

TPS65000-Q1 器件是一款应用于汽车的单片 电源管理集成电路 (IC)。这个器件包含一个带有两个低压降稳压器的单个降压转换器。为了在最大可能的负载电流范围内实现最大效率，这个降压转换器在轻负载时进入低功耗模式。对于低噪声应用，该器件可通过 MODE 引脚强制进入固定频率 PWM。此降压转换器允许使用小型电感器和电容器，因此可实现较小的解决方案尺寸。电源正常状态输出可用于排序。LDO 可提供 300mA 的电流，且可在 1.6V 到 6V 的输入电压范围内工作，因此可从降压转换器提供。该降压转换器和 LDO 具有单独的电压输入和使能端，从而实现了设计和排序的灵活性。

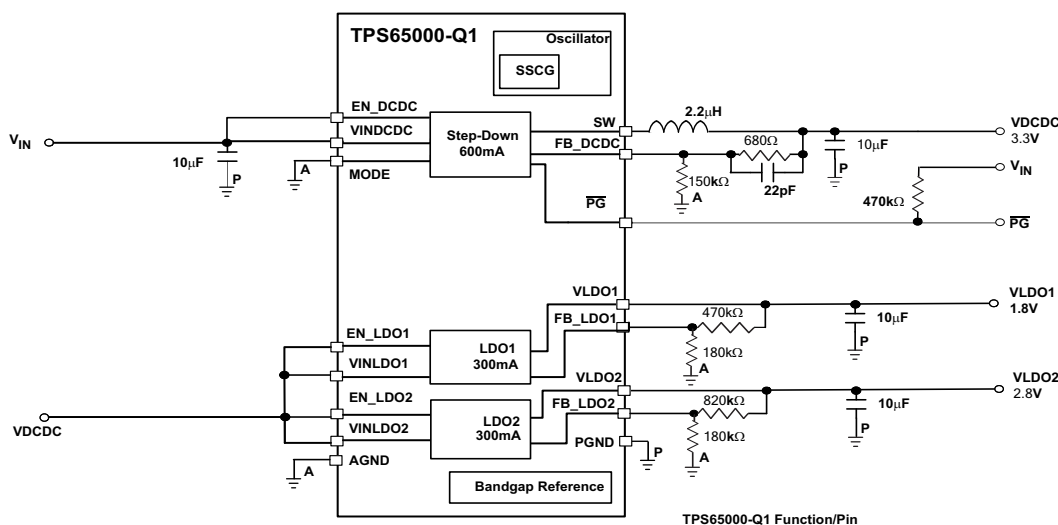
TPS65000-Q1 采用 16 引脚无引线封装 (3mm x 3mm WQFN)。

#### 器件信息(1)

器件型号	封装	封装尺寸 (标称值)
TPS65000-Q1	WQFN (16)	3.00mm x 3.00mm

(1) 如需了解所有可用封装，请参阅数据表末尾的可订购产品附录。

典型应用电路原理图



## 目录

1	特性 .....	1	7.4	Device Functional Modes .....	15
2	应用 .....	1	<b>8</b>	<b>Application and Implementation</b> .....	<b>16</b>
3	说明 .....	1	8.1	Application Information .....	16
4	修订历史记录 .....	2	8.2	Typical Application .....	16
<b>5</b>	<b>Pin Configuration and Functions</b> .....	<b>3</b>	<b>9</b>	<b>Power Supply Recommendations</b> .....	<b>20</b>
<b>6</b>	<b>Specifications</b> .....	<b>4</b>	<b>10</b>	<b>Layout</b> .....	<b>20</b>
6.1	Absolute Maximum Ratings .....	4	10.1	Layout Guidelines .....	20
6.2	ESD Ratings .....	4	10.2	Layout Examples .....	20
6.3	Recommended Operating Conditions .....	4	<b>11</b>	<b>器件和文档支持</b> .....	<b>21</b>
6.4	Thermal Information .....	5	11.1	器件支持 .....	21
6.5	Electrical Characteristics .....	5	11.2	文档支持 .....	21
6.6	Switching Characteristics .....	7	11.3	接收文档更新通知 .....	21
6.7	Typical Characteristics .....	7	11.4	社区资源 .....	21
<b>7</b>	<b>Detailed Description</b> .....	<b>10</b>	11.5	商标 .....	21
7.1	Overview .....	10	11.6	静电放电警告 .....	21
7.2	Functional Block Diagram .....	10	11.7	Glossary .....	21
7.3	Feature Description .....	11	<b>12</b>	<b>机械、封装和可订购信息</b> .....	<b>21</b>

## 4 修订历史记录

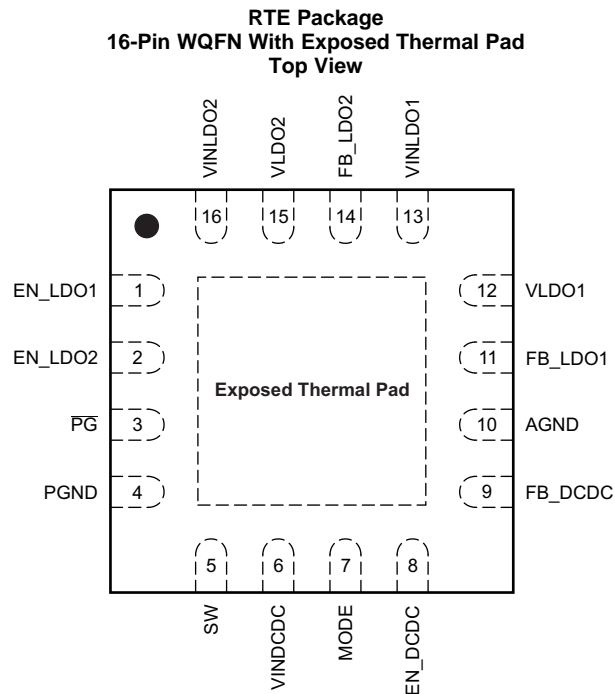
注：之前版本的页码可能与当前版本有所不同。

<b>Changes from Revision B (September 2015) to Revision C</b>	<b>Page</b>
• 已删除 文档标题中的 SVS .....	1
• 已更改 应用列表 .....	1
• Changed the CDM values in the <i>ESD Ratings</i> table .....	4
• Changed the temperature range in the <i>Overview</i> section from –40°C to +85°C to –40°C to +105°C .....	10
• Changed the PWM description of the MODE pin in the <i>Device Functional Modes</i> section .....	15
• Deleted extra devices from the <i>Design Parameters</i> table .....	16
• Deleted the tables with recommended inductors and capacitors .....	17
• 已添加 接收文档更新通知 部分 .....	21
• 已更改 静电放电注意事项声明 .....	21

<b>Changes from Revision A (October 2013) to Revision B</b>	<b>Page</b>
• 已添加 引脚配置和功能部分, <i>ESD</i> 额定值表, 特性 说明 部分、器件功能模式、应用和实施部分、电源相关建议部分、布局部分、器件和文档支持部分以及机械、封装和可订购信息部分 .....	1

<b>Changes from Original (August 2012) to Revision A</b>	<b>Page</b>
• Changed description for MODE pin in Pin Functions table .....	3
• Deleted power dissipation row of Absolute Maximum Ratings table .....	4
• Changed DCDC to VDCDC in C <sub>O</sub> row of Recommended Operating Conditions .....	4
• Changed DCDC to VDCDC in STEP-DOWN CONVERTER OUTPUT VOLTAGE section of Electrical Characteristics .....	6
• Deleted SUPPLY VOLTAGE SUPERVISOR section of Electrical Characteristics table .....	6

## 5 Pin Configuration and Functions



### Pin Functions

PIN		I/O	DESCRIPTION
NAME	NO.		
AGND	10	—	Analog ground – Star back to PGND as close to the IC as possible
EN_DCDC	8	I	Enable DC-DC converter
EN_LDO1	1	I	Enable LDO1
EN_LDO2	2	I	Enable LDO2
FB_DCDC	9	I	Voltage to DC-DC error amplifier
FB_LDO1	11	I	Voltage to LDO1 error amplifier
FB_LDO2	14	I	Voltage to LDO2 error amplifier
MODE	7	I	Selects forced-PWM or PWM-to-PFM automatic-transition mode
$\overline{\text{PG}}$	3	O	Open-drain active-low power-good output
PGND	4	—	Power ground – connected to the thermal pad
SW	5	O	Switch pin – connect inductor here
VINDCDC	6	I	Input voltage to DC-DC converter and all other control blocks
VINLDO1	13	I	Input voltage to LDO1
VINLDO2	16	I	Input voltage to LDO2
VLDO1	12	O	LDO1 output voltage
VLDO2	15	O	LDO2 output voltage
EP		—	Exposed thermal pad

## 6 Specifications

### 6.1 Absolute Maximum Ratings

 over operating free-air temperature range (unless otherwise noted)<sup>(1)</sup>

		MIN	MAX	UNIT
Input voltage	On all pins except AGND, PGND, EN_DCDC, VLDO1, VLDO2, FB_LDO1, FB_LDO2, FB_DCDC pins with respect to AGND	-0.3	7	V
	On EN_DCDC with respect to AGND	-0.3	$V_{IN} + 0.3, \leq 7$	
Output voltage	On VLDO1, VLDO2, FB_LDO1, FB_LDO2, FB_DCDC	-0.3	3.6	V
Current	VINDCDC, SW, PGND,		1800	mA
	VINLDO1, VINLDO2, VLDO1, VLDO1, AGND		800	mA
	At all other pins		1	mA
Operating free-air temperature, $T_A$		-40	105	°C
Maximum junction temperature, $T_J$			150	°C
Storage temperature, $T_{stg}$		-65	150	°C

(1) Stresses beyond those listed under *Absolute Maximum Ratings* may cause permanent damage to the device. These are stress ratings only, and functional operation of the device at these or any other conditions beyond those indicated under *Recommended Operating Conditions* is not implied. Exposure to absolute-maximum-rated conditions for extended periods may affect device reliability.

### 6.2 ESD Ratings

			VALUE	UNIT	
$V_{(ESD)}$	Electrostatic discharge	Human body model (HBM), per AEC Q100-002 <sup>(1)</sup>	±2500	V	
		Charged device model (CDM), per AEC Q100-011	Corner pins (1, 4, 5, 8, 9, 12, 13, and 16)		±750
			Other pins		±500

(1) AEC Q100-002 indicates HBM stressing is done in accordance with the ANSI/ESDA/JEDEC JS-001 specification.

### 6.3 Recommended Operating Conditions

		MIN	NOM	MAX	UNIT
L1	SW pin inductor	1.5	2.2	3.3	μH
$C_I$	Input capacitor at VINDCDC	10			μF
	Input capacitor at VINLDO1, VINLDO2	2.2			μF
$C_O$	Output capacitor for VDCDC	10		22	μF
	Output capacitor for LDO1, LDO2	2.2			μF
$I_O$	DC-DC converter output current			600	mA
	LDO1 output current			300	mA
	LDO2 output current			300	mA
$T_A$	Operating ambient temperature	-40		105	°C

## 6.4 Thermal Information

THERMAL METRIC <sup>(1)</sup>		TPS65000-Q1	UNIT
		RTE (WQFN)	
		16 PINS	
R <sub>θJA</sub>	Junction-to-ambient thermal resistance	46.4	°C/W
R <sub>θJC(top)</sub>	Junction-to-case (top) thermal resistance	56.1	°C/W
R <sub>θJB</sub>	Junction-to-board thermal resistance	19.2	°C/W
ψ <sub>JT</sub>	Junction-to-top characterization parameter	1.1	°C/W
ψ <sub>JB</sub>	Junction-to-board characterization parameter	19.1	°C/W
R <sub>θJC(bot)</sub>	Junction-to-case (bottom) thermal resistance	5.4	°C/W

(1) For more information about traditional and new thermal metrics, see the [Semiconductor and IC Package Thermal Metrics](#) application report.

## 6.5 Electrical Characteristics

Over full operating ambient temperature range, typical values are at T<sub>A</sub> = 25° C. Unless otherwise noted, specifications apply for condition V<sub>IN</sub> = EN\_LDOx = EN\_DCDC = 3.6 V. External components L = 2.2 μH, C<sub>OUT</sub> = 10 μF, C<sub>IN</sub> = 4.7 μF.

PARAMETER		TEST CONDITIONS	MIN	TYP	MAX	UNIT
<b>OPERATING VOLTAGE</b>						
V <sub>IN</sub>	Input voltage for VINDCDC of DC-DC converter		2.3		6	V
	Input voltage for LDO1 (VINLDO1)	See <sup>(1)</sup>	1.6		6	V
	Input voltage for LDO2 (VINLDO2)	See <sup>(1)</sup>	1.6		6	V
	Internal undervoltage (UVLO) lockout threshold	V <sub>CC</sub> falling	1.72	1.77	1.82	V
	Internal undervoltage (UVLO) lockout hysteresis			160		mV
<b>SUPPLY CURRENT</b>						
I <sub>Q</sub>	Operating quiescent current	MODE low, EN_DCDC high, EN_LDO1, EN_LDO2 low, I <sub>OUT</sub> = 0 mA and no switching		23	32	μA
		MODE low, EN_DCDC low, EN_LDO1, EN_LDO2 high, I <sub>OUT</sub> = 0 mA and no switching		50	57	
		EN_DCDC high, MODE high, EN_LDO1, EN_LDO2 low, I <sub>OUT</sub> = 0 mA			4	
I <sub>SD</sub>	Shutdown Current	EN_DCDC low EN_LDO1 and EN_LDO2 low		0.16	2.2	μA
<b>DIGITAL PINS (EN_DCDC, EN_LDO1, EN_LDO2, MODE, PG)</b>						
V <sub>IH</sub>	High-level input voltage		1.2			V
V <sub>IL</sub>	Low-level input voltage				0.4	V
V <sub>OL</sub>	Low-level output voltage	PG pins only, I <sub>O</sub> = -100 μA			0.4	V
I <sub>lkg</sub>	Input leakage current	MODE, EN_DCDC, EN_LDO1, EN_LDO2 tied to GND or VINDCDC		0.01	0.1	μA
<b>OSCILLATOR</b>						
f <sub>SW</sub>	Oscillator frequency	SSCG enabled, SSC modulation ratio = 16%	1.722	2.25	2.847	MHz
		SSCG disabled, SSC modulation ratio disabled	2.01	2.25	2.41	
<b>STEP-DOWN CONVERTER POWER SWITCH</b>						
r <sub>DS(on)</sub>	High-side MOSFET ON-resistance	VINDCDC = V <sub>GS</sub> = 3.6 V		240	480	mΩ
	Low-side MOSFET ON-resistance	VINDCDC = V <sub>GS</sub> = 3.6 V		185	380	mΩ
I <sub>O</sub>	DC output current	2.3 V ≤ VINDCDC ≤ 2.5 V			300	mA
		2.5 V ≤ VINDCDC ≤ 6 V			600	

(1) The design principle allows only VINDCDC to be the highest supply in the system. If separate input voltage supplies are used for the DC-DC converter and LDOs, then choose VINDCDC ≥ VINLDO1 and VINDCDC ≥ VINLDO2.

**Electrical Characteristics (continued)**

Over full operating ambient temperature range, typical values are at  $T_A = 25^\circ\text{C}$ . Unless otherwise noted, specifications apply for condition  $V_{IN} = EN\_LDOx = EN\_DCDC = 3.6\text{ V}$ . External components  $L = 2.2\ \mu\text{H}$ ,  $C_{OUT} = 10\ \mu\text{F}$ ,  $C_{IN} = 4.7\ \mu\text{F}$ .

PARAMETER		TEST CONDITIONS	MIN	TYP	MAX	UNIT
$I_{LIMF}$	Forward current limit, PMOS and NMOS	$2.3\text{ V} \leq V_{INDCDC} \leq 6\text{ V}$	800	1000	1400	mA
<b>STEP-DOWN CONVERTER POWER SWITCH (continued)</b>						
$T_{SD}$	Thermal shutdown	Increasing junction temperature		150		$^\circ\text{C}$
	Thermal shutdown hysteresis	Decreasing junction temperature		30		$^\circ\text{C}$
<b>STEP-DOWN CONVERTER OUTPUT VOLTAGE</b>						
VDCDC	Adjustable output voltage range, VDCDC		0.6		VINDCDC	V
	FB_DCDC pin current				0.1	$\mu\text{A}$
$V_{ref}$	Internal reference voltage		0.594	0.6	0.606	V
VDCDC	Output-voltage accuracy (PWM mode) <sup>(2)</sup>	MODE = high, $2.3 \leq V_{INDCDC} \leq 6\text{ V}$	-1.5%	0%	1.5%	
	Output-voltage accuracy (PFM mode) <sup>(3)</sup>	MODE low +1% voltage positioning active		1%		
	Load regulation (PWM mode)	MODE high		0.5		%/A
$R_{DIS}$	Internal discharge resistance at SW	EN_DCDC low		450		$\Omega$
<b>LOW-DROPOUT REGULATORS</b>						
$V_I$	Input voltage for LDOx (VINLDOx)		1.6		6	V
$V_O$	Adjustable output voltage, LDOx (VLDOx) <sup>(4)</sup>		0.73		VINLDOx – $V_{DO}$	V
$I_O$	Continuous-pass FET current				300	mA
$I_{SC}$	Short-circuit current limit	$2.3\text{ V} \leq V_{INLDOx}$	340		700	mA
		$V_{INLDOx} < 2.3\text{ V}$	210		700	
	FB_LDOx pin current				0.1	$\mu\text{A}$
	FB_LDOx voltage	Adjustable $V_{OUT}$ mode only		0.5		V
$V_{DO}$	Dropout voltage <sup>(5)</sup>	$V_{INLDOx} \geq 2.3\text{ V}$ , $I_{OUT} = 250\text{ mA}$			370	mV
		$V_{INLDOx} < 2.3\text{ V}$ , $I_{OUT} = 175\text{ mA}$			370	mV
	Output voltage accuracy <sup>(6)</sup>	$I_O = 1\text{ mA to }300\text{ mA}$ , $V_{INLDOx} = 2.3\text{ V} - 6\text{ V}$ , $V_{LDOx} = 1.2\text{ V}$	-3.5%		3.5%	
		$I_O = 1\text{ mA to }175\text{ mA}$ , $V_{INLDOx} = 1.6\text{ V} - 6\text{ V}$ , $V_{LDOx} = 1.2\text{ V}$	-3.5%		3.5%	
	Load regulation	$I_O = 1\text{ mA to }300\text{ mA}$ , $V_{INLDOx} = 3.6\text{ V}$ , $V_{LDOx} = 1.2\text{ V}$	-1.5%		1.5%	
	Line regulation	$V_{INLDOx} = 1.6\text{ V} - 6\text{ V}$ , $V_{LDOx} = 1.2\text{ V}$ at $I_O = 1\text{ mA}$	-0.5%		0.5%	
PSRR	Power-supply rejection ratio	$f_{NOISE} \leq 10\text{ kHz}$ , $C_{OUT} \geq 2.2\ \mu\text{F}$ , $V_{IN} = 2.3\text{ V}$ , $V_{OUT} = 1.3\text{ V}$ , $I_{OUT} = 10\text{ mA}$		40		dB
$R_{DIS}$	Internal discharge resistance at VLDOx	EN_LDOx low		450		$\Omega$
$T_{SD}$	Thermal shutdown	Increasing temperature		150		$^\circ\text{C}$
	Thermal shutdown hysteresis	Decreasing temperature		30		$^\circ\text{C}$

(2) For  $V_{INDCDC} = V_{DCDC} + 1\text{ V}$

(3) In PFM mode, the internal reference voltage is typically  $1.01 \times V_{REF}$ .

(4) Maximum output voltage  $V_{LDOx} = 3.6\text{ V}$ .

(5)  $V_{DO} = V_{INLDOx} - V_{LDOx}$ , where  $V_{INLDOx} = V_{LDOx}(\text{nom}) - 100\text{ mV}$

(6) Output voltage specification does not include tolerance of external programming resistors.

### 6.6 Switching Characteristics

over operating free-air temperature range (unless otherwise noted)

PARAMETER	TEST CONDITIONS	MIN	TYP	MAX	UNIT
<b>STEP-DOWN CONVERTER OUTPUT VOLTAGE</b>					
t <sub>Start</sub>	Start-up time	EN_DCDC to start of switching (10%)		250	μs
t <sub>Ramp</sub>	VDCDC ramp-up time	VDCDC ramp from 10% to 90%		250	μs
<b>LOW-DROPOUT REGULATORS</b>					
t <sub>RAMP</sub>	VLDOx ramp time	VLDOx ramp from 10% to 90%		200	μs

### 6.7 Typical Characteristics

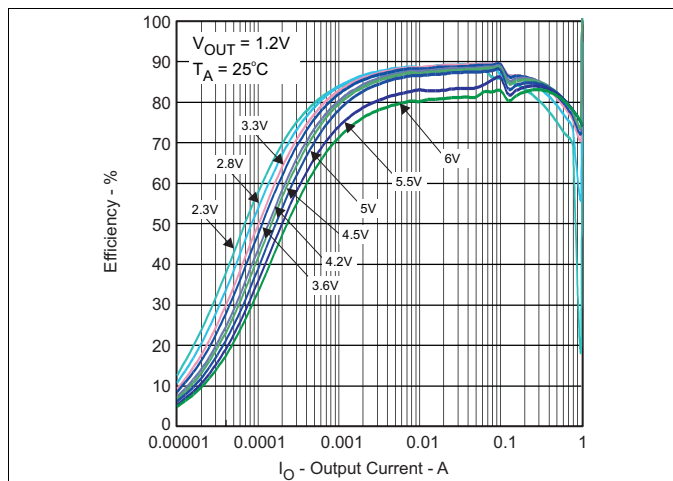


Figure 1. Efficiency (DC-DC 600-mA PFM Mode) vs Output Current

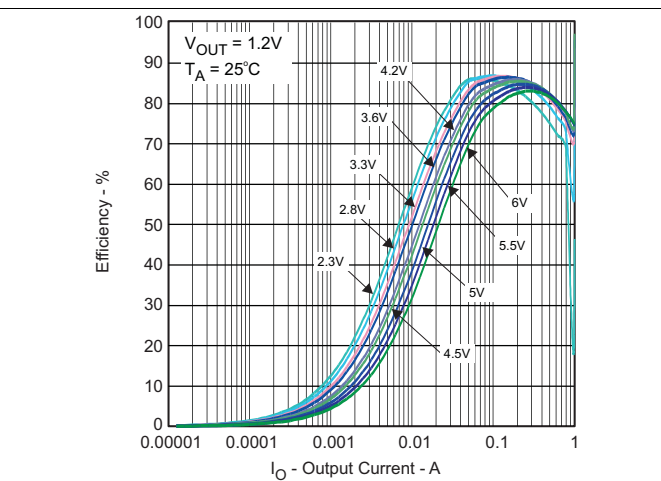


Figure 2. Efficiency (DC-DC 600-mA PWM Mode) vs Output Current

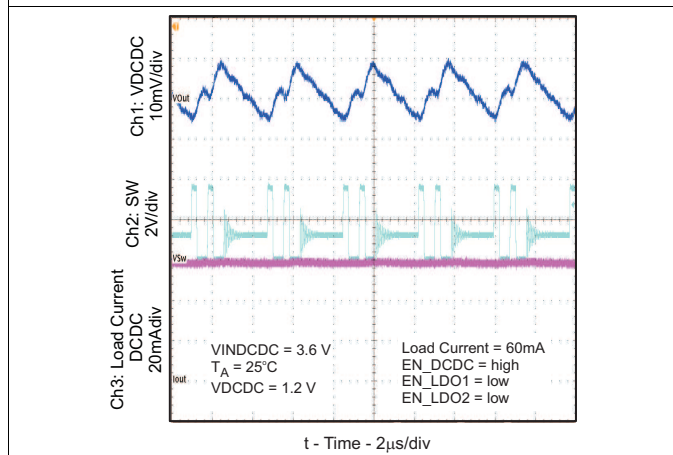


Figure 3. Output Voltage Ripple (DC-DC PFM Mode)

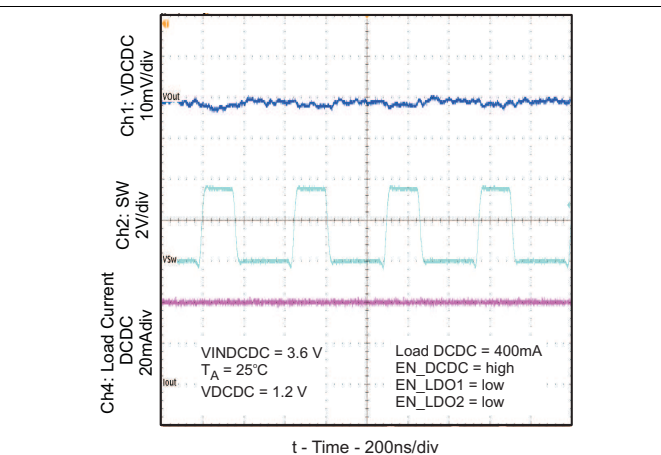


Figure 4. Output Voltage Ripple (DC-DC PWM Mode)

Typical Characteristics (continued)

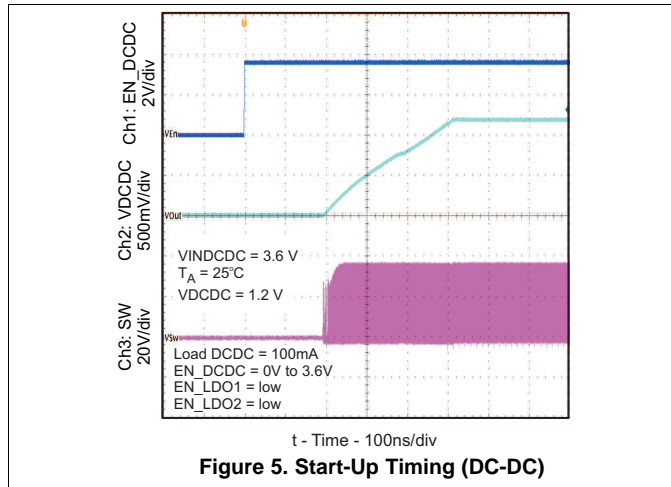


Figure 5. Start-Up Timing (DC-DC)

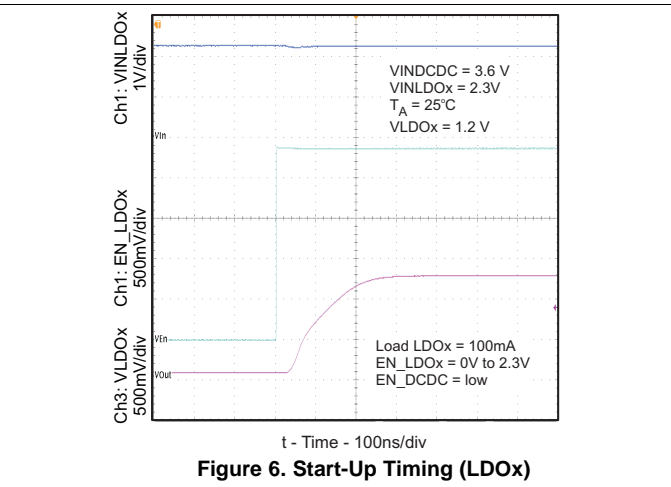


Figure 6. Start-Up Timing (LDOx)

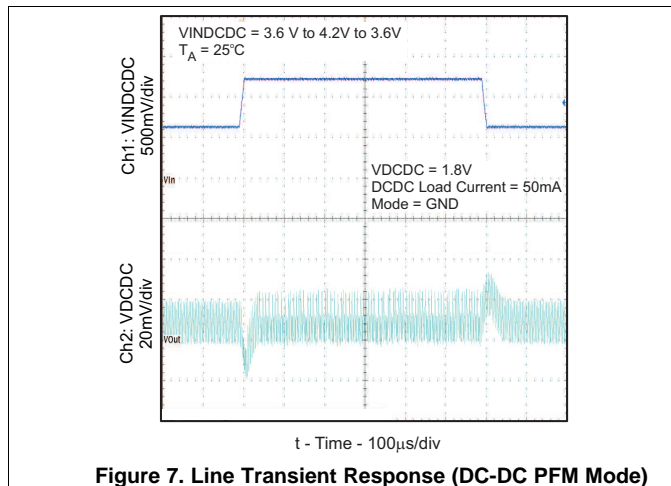


Figure 7. Line Transient Response (DC-DC PFM Mode)

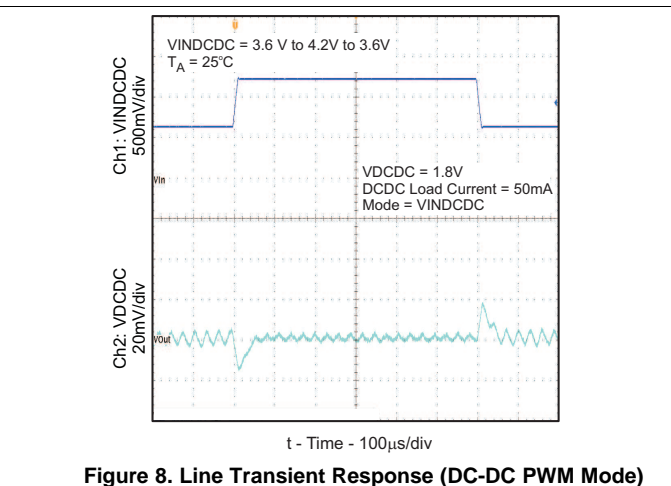


Figure 8. Line Transient Response (DC-DC PWM Mode)

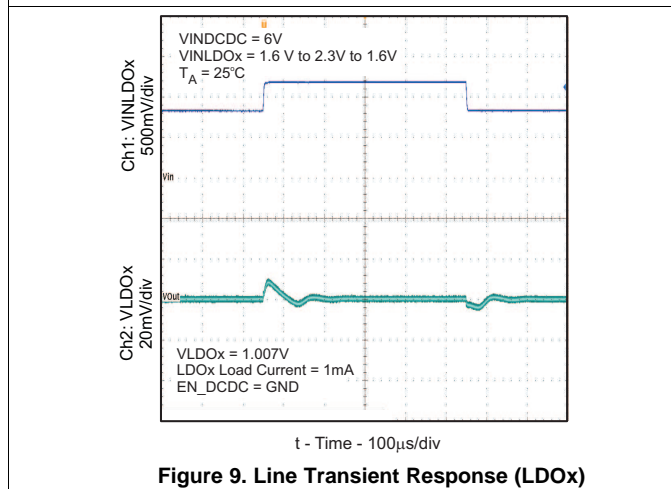


Figure 9. Line Transient Response (LDOx)

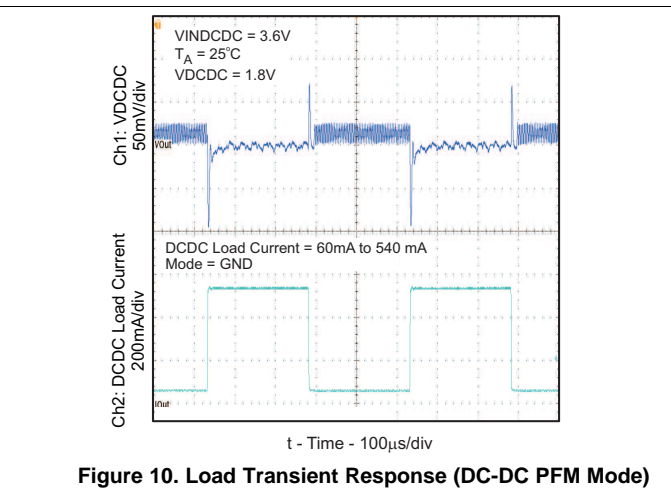
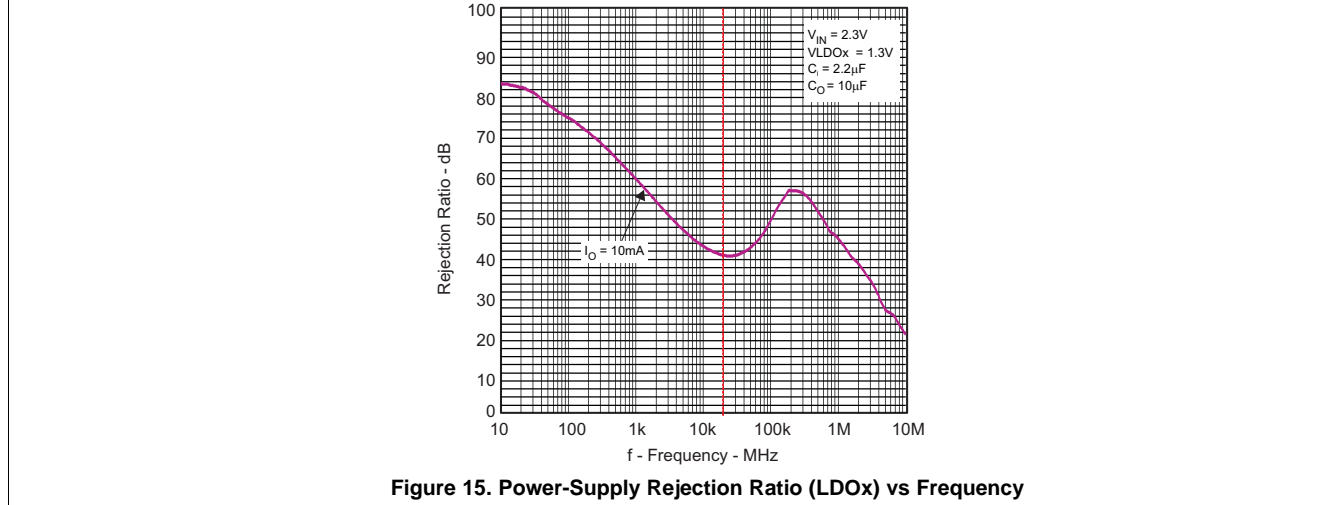
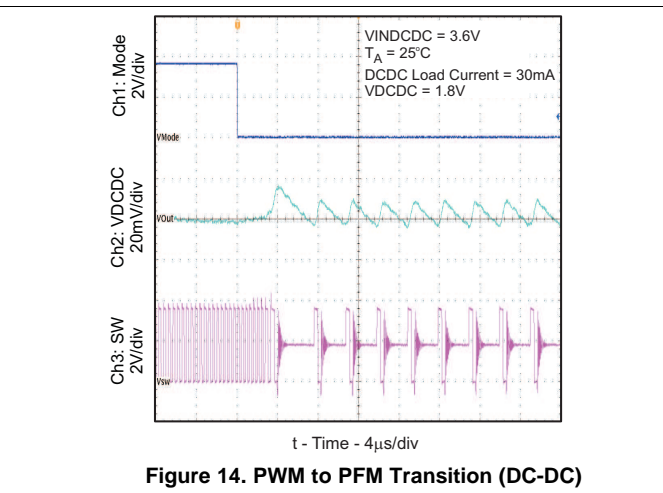
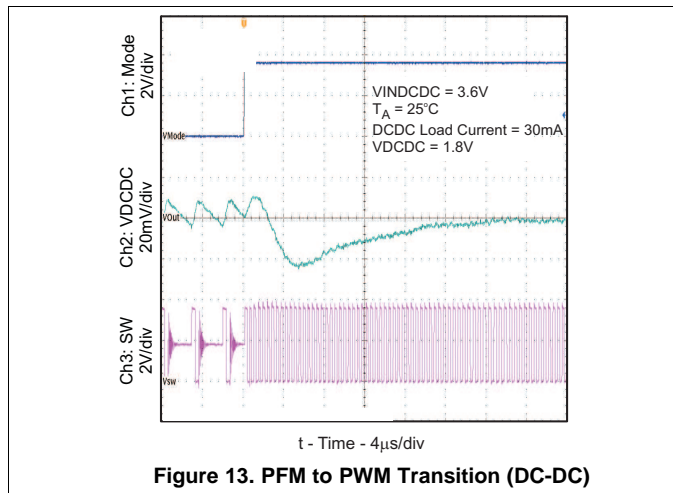
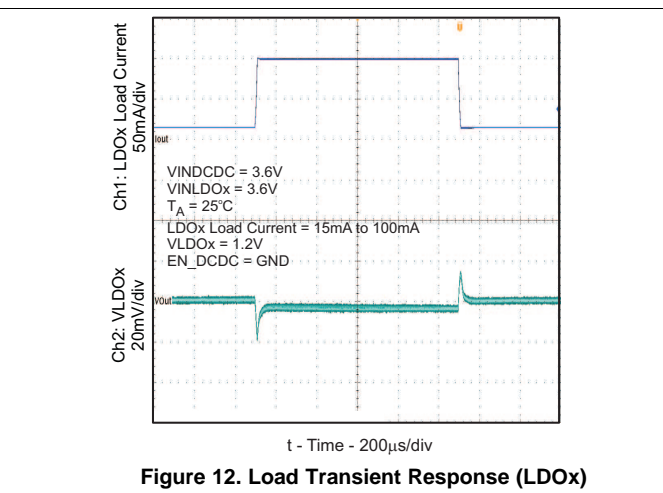
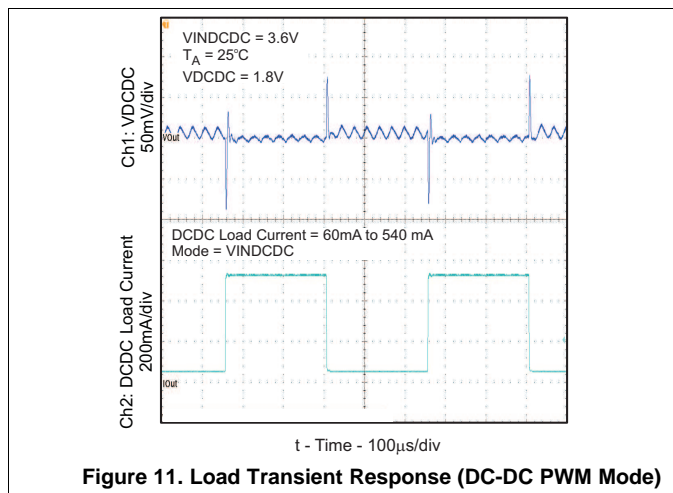


Figure 10. Load Transient Response (DC-DC PFM Mode)



Typical Characteristics (continued)



## 7 Detailed Description

### 7.1 Overview

The TPS65000-Q1 device provides one step-down converter, two low dropout regulators and spread spectrum clock generation. The device has an input voltage range of 2.3 V to 6 V. This device is intended for (but not limited to) powering automotive camera modules.

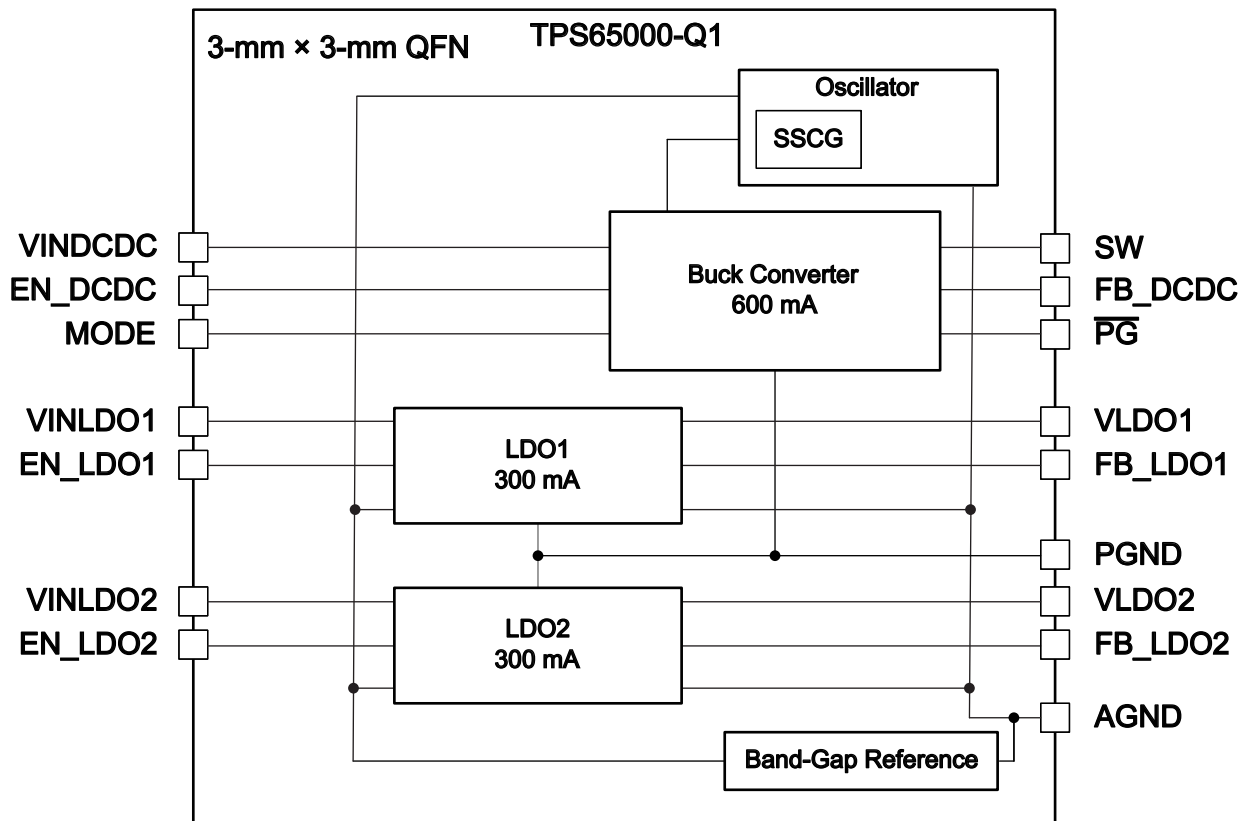
The output voltage of the step-down converter can be selected through resistor networks on the output. To maximize efficiency, there are two modes of operation based on load conditions: PWM or PFM. By pulling the MODE pin high, forced PWM can be achieved. Pulling this pin low results in an automatic adjustment between PFM and PWM modes.

The two general-purpose low-dropout regulators each have their own separate enables and voltage inputs. The inputs can be tied to the output of the step-down converter or to a separate voltage source. Resistor networks are required on the output of the regulator to set the output voltage.

The switching frequency of the step-down converter is handled by the oscillator, with a typical frequency of 2.25 MHz. The spread spectrum clock (SSC) modulates this frequency when the device is in PWM mode. This additional circuit in the oscillator block reduces power that may cause EMI.

The TPS65000-Q1 device also provides a power good signal to monitor the condition of the DC-DC and both LDOs. The DC-DC and LDOs are only monitored if their enable signal is high. If all enabled resources are in regulation, the pin is pulled low. If one or more of the enabled resources are out of regulation, the pin is placed in Hi-Z.

### 7.2 Functional Block Diagram



## 7.3 Feature Description

### 7.3.1 Step-Down Converter

The step-down converter is intended to allow maximum flexibility in the end equipment. The output voltage is user-selectable with a resistor network on the output. Figure 16 shows the necessary connections.

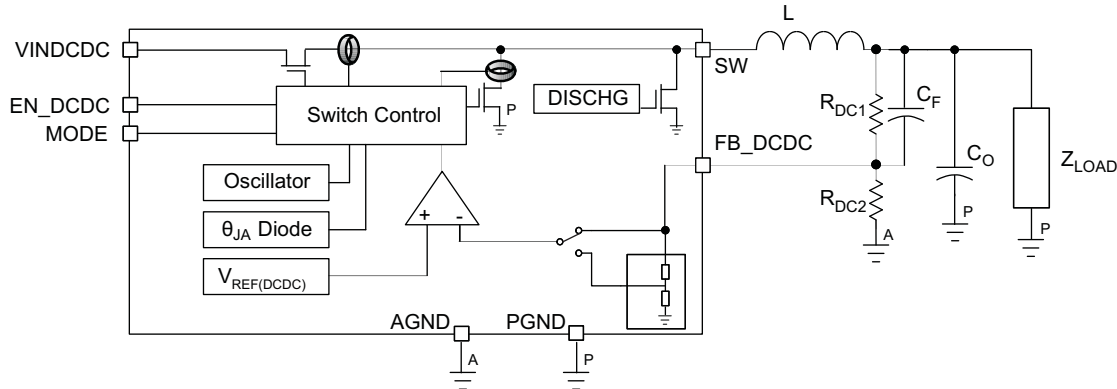


Figure 16. DC-DC Converter Block Diagram and Output Voltage Setting

The output voltage of the DC-DC converter is set by Equation 1:

$$V_{DCDC} = V_{FB\_DCDC} \times \frac{(R_{DC1} + R_{DC2})}{R_{DC2}}$$

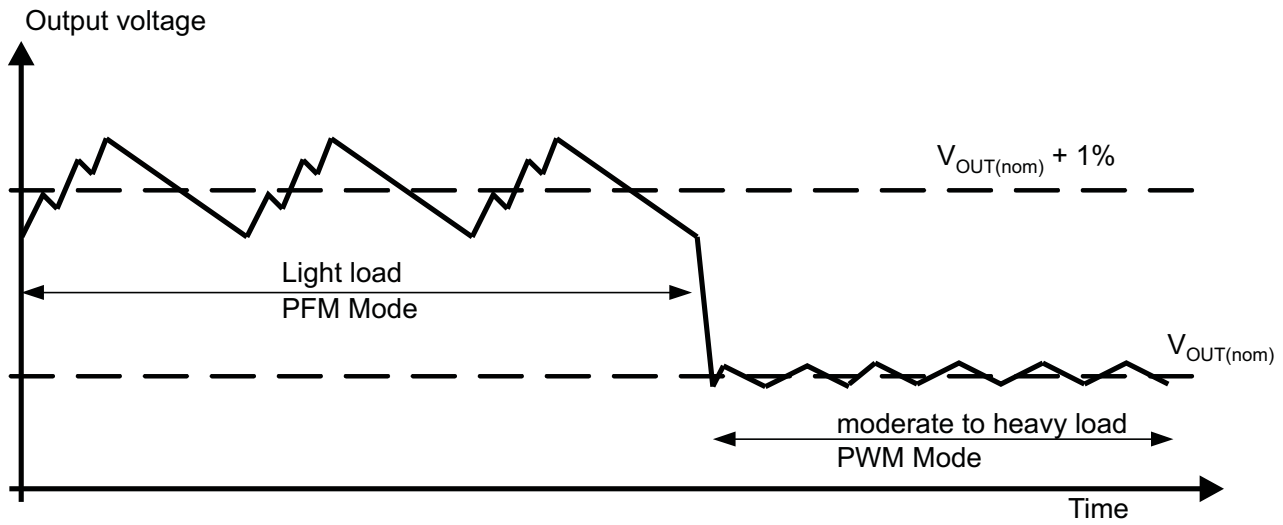
$$V_{DCDC} = 0.6V \times \frac{(R_{DC1} + R_{DC2})}{R_{DC2}} \quad (1)$$

The combined resistance of  $R_{DC1}$  and  $R_{DC2}$  should be less than 1 MΩ.

Fixed output voltages and additional current-limit options are also possible. Contact TI for further information.

The step-down converter has two modes of operation to maximize efficiency at different load conditions. At moderate to heavy load currents, the device operates in a fixed-frequency pulse-width modulation (PWM) mode that results in small output ripple and high efficiency. Pulling the MODE pin to a DC-high level results in PWM mode over the entire load range.

At light load currents, the device operates in a pulsed frequency-modulation (PFM) mode to improve efficiency. The transition to this mode occurs when the inductor current through the low-side FET becomes zero, indicating discontinuous conduction. PFM mode also results in the output voltage increasing by 1% from its nominally set value. This voltage positioning is intended to minimize both the voltage undershoot of a load step from light to heavy loads, as when a processor moves from sleep to active modes, and the voltage overshoot at load removal. Figure 17 shows the voltage positioning behavior for a light-to-heavy load step.

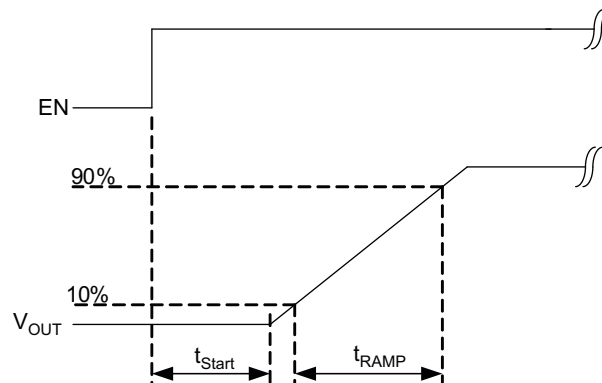
**Feature Description (continued)**

**Figure 17. PFM Voltage Positioning**

Pulling the MODE pin to DC ground results in an automatic transition between PFM and PWM modes to maximize efficiency.

The DC-DC converter output automatically discharges to ground through an internal 450-Ω load when EN\_DCDC goes low or when the UVLO condition is met.

**7.3.2 Soft Start**

The step-down converter has an internal soft-start circuit that limits the inrush current during start-up. During soft start, the output voltage ramp-up is controlled as shown in Figure 18.

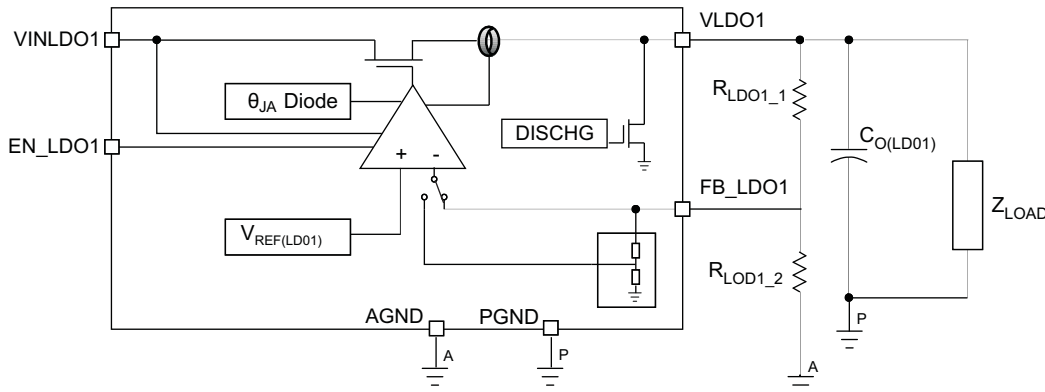

**Figure 18. Soft Start**
**7.3.3 Linear Regulators**

The two linear dropout regulators (LDOs) in the TPS65000-Q1 are designed to provide flexibility in system design. Each LDO has a separate voltage input and enable signal. The input can be tied to the output of the step-down converter or the output of another voltage source. Each LDO output discharges to ground automatically when EN\_LDOx goes low.

A resistor network is needed to set the output voltage of the LDOs. Fixed-voltage output versions are also available; contact a TI sales representative for more information.

The LDOs are general-purpose devices that can handle inputs from 6 V down to 1.6 V. Figure 19 shows the necessary connections for LDO1. The same architecture applies to LDO2.

**Feature Description (continued)**



**Figure 19. LDO Block Diagram and Output Voltage Setting**

The output voltages of the LDOs are set by [Equation 2](#):

$$V_{LDO1} = V_{FB\_LDO1} \times \frac{(R_{LDO1\_1} + R_{LDO1\_2})}{R_{LDO1\_2}}$$

$$V_{LDO1} = 0.5V \times \frac{(R_{LDO1\_1} + R_{LDO1\_2})}{R_{LDO1\_2}}$$

(2)

The combined resistance of  $R_{LDO1\_1}$  and  $R_{LDO1\_2}$  should be less than 1 MΩ.

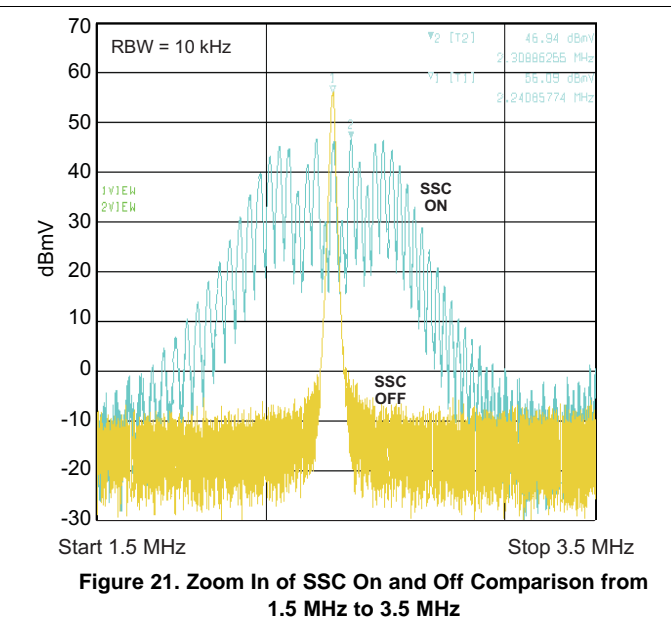
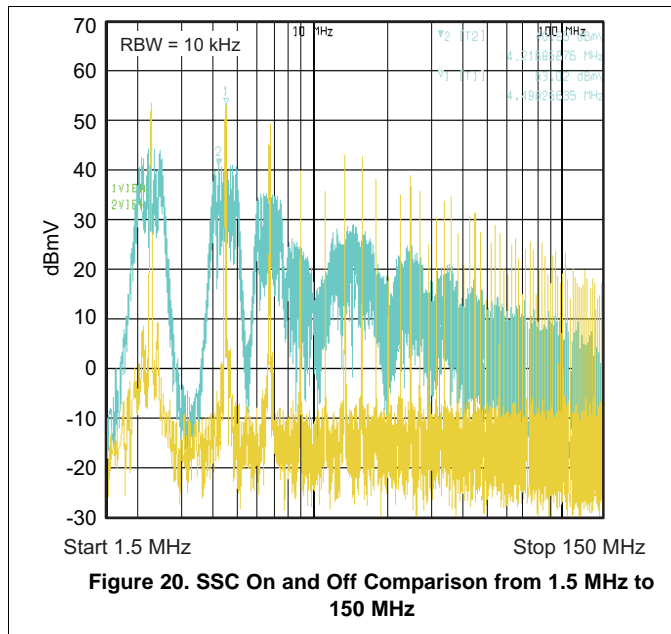
**7.3.4 Oscillator and Spread-Spectrum Clock Generation**

The TPS65000-Q1 contains an internal oscillator running at a typical frequency of 2.25 MHz. This frequency is the fundamental switching frequency of the step-down converter when it is running in PWM mode. An additional circuit in the oscillator block implements spread-spectrum clocking, which modulates the main switching frequency when the device is in PWM mode. This spread-spectrum oscillation reduces the power that may cause EMI. When viewed in the frequency domain, the SSC spreads out the frequency that may introduce interference while simultaneously reducing the power. Because the frequency is continually shifting, the amount of time the switcher spends at any single frequency is reduced. This reduction in time means that the receiver that may see the interference has less time to integrate the interference.

Different spin versions of SSC settings are also possible; contact a TI sales representative for more information.

[Figure 20](#) and [Figure 21](#) show the advantage of SSC with the frequency spectrum centering on the nominal frequency 2.25 MHz. The blue spectrum is the result of the spread change. As shown in the figures, the harmonic spectrum is attenuated to 10 dB, compared to the same device without SSC.

Feature Description (continued)



7.3.5 Power Good

The open-drain  $\overline{\text{PG}}$  output is used to indicate the condition of the step-down converter and each LDO. This is a combined output, with the outputs being compared when the appropriate enable signal is high. The pin is pulled low when all enabled outputs are greater than 90% of the target voltage, and it is pulled into Hi-Z when an enabled output is less than 90% of its intended value or when all the enable signals are pulled low.

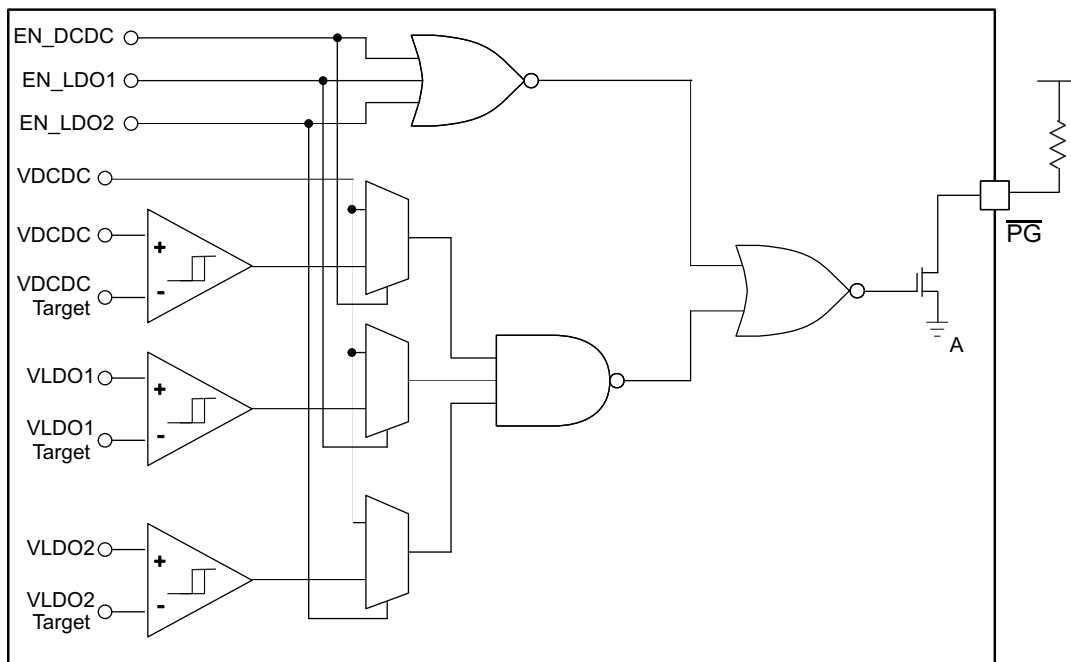


Figure 22. Power-Good Functionality

## 7.4 Device Functional Modes

The step-down converter has two modes of operation to maximize efficiency:

1. PFM
  - For light loads
  - For automatic transition to between this mode and PWM mode automatically when MODE pin is pulled low over all load ranges
  - To increase in output voltage setting by 1%
  - For better accuracy
2. PWM
  - For moderate to heavy loads
  - For a small output ripple
  - For maintaining the specified switching frequency variation by pulling the MODE pin high which places the device in a forced PWM mode over the entire load range.

## 8 Application and Implementation

### NOTE

Information in the following applications sections is not part of the TI component specification, and TI does not warrant its accuracy or completeness. TI's customers are responsible for determining suitability of components for their purposes. Customers should validate and test their design implementation to confirm system functionality.

### 8.1 Application Information

The TPS65000-Q1 can be used in an automotive-camera sensor module to generate the AVDD, DVDD, and IOVDD voltage rails. For noise immunity, one of the LDOs should be used to generate the AVDD voltage rail. To minimize power dissipation, the DC-DC converter should be used to power the DVDD rail because the DVDD rail normally has a lower operating voltage and higher current consumption.

### 8.2 Typical Application

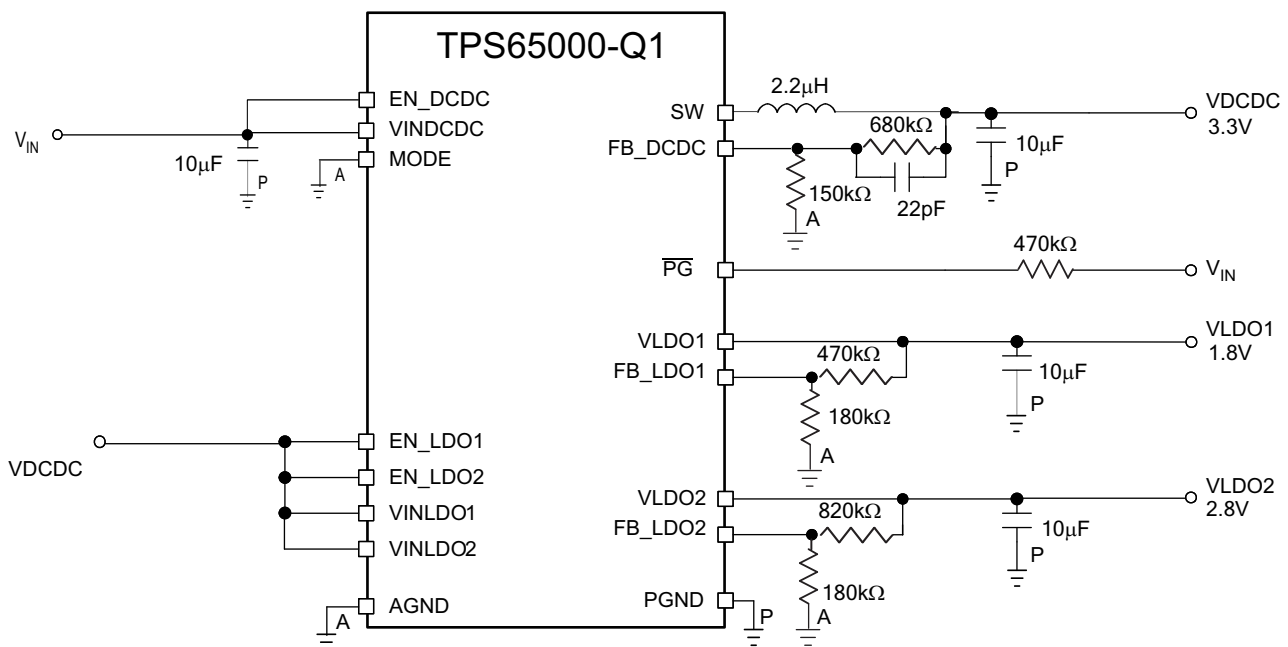


Figure 23. Typical TPS65000-Q1 Application Schematic

#### 8.2.1 Design Requirements

For this design example, use the parameters listed in [Table 1](#).

Table 1. Design Parameters

RESOURCES	VOLTAGE
SW	3.3 V
VLDO1	1.8 V
VLDO2	2.8 V



## 8.2.2 Detailed Design Procedure

### 8.2.2.1 Output Filter Design (Inductor and Output Capacitor)

#### 8.2.2.1.1 Inductor Selection

The typical value for the converter inductor is 2.2- $\mu$ H output inductor. Larger or smaller inductor values in the range of 1.5  $\mu$ H to 3.3  $\mu$ H can optimize the performance of the device for specific operation conditions. The selected inductor must be rated for its DC resistance and saturation current. The DC resistance of the inductance influences the efficiency of the converter directly. An inductor with lowest DC resistance must be selected for highest efficiency. For more information on inductor selection, refer to [Choosing Inductors and Capacitors for DC/DC Converters](#).

[Equation 3](#) calculates the maximum inductor current under static load conditions. The saturation current of the inductor should be rated higher than the maximum inductor current as calculated with [Equation 4](#). TI recommends this because during heavy load transient, the inductor current rises above the calculated value.

$$\Delta I_L = V_{OUT} \times \frac{1 - \frac{V_{OUT}}{V_{IN}}}{L \times f}$$

where

- f = Switching Frequency (2.25-MHz typical)
- L = Inductor Value
- $\Delta I_L$  = Peak-to-peak Inductor Ripple Current

(3)

$$I_{Lmax} = I_{OUTmax} + \frac{\Delta I_L}{2}$$

where

- $I_{Lmax}$  = Maximum Inductor Current

(4)

The highest inductor current occurs at maximum  $V_{IN}$ .

Open-core inductors have a soft saturation characteristic and can usually handle higher inductor currents versus a comparable shielded inductor.

A more conservative approach is to select the inductor current rating just for the maximum switch current of the corresponding converter. Consider that the core material from inductor to inductor differs and impacts the efficiency especially at high-switching frequencies.

The step down converter has internal loop compensation. TI designed the internal loop compensation to work with a certain output filter corner frequency calculated as in [Equation 5](#):

$$f_C = \frac{1}{2\pi \sqrt{L \times C_{OUT}}} \text{ with } L = 2.2\mu\text{H}, C_{OUT} = 10\mu\text{F}$$

(5)

The selection of external L-C filter must be coped with [Equation 5](#). The product of  $L \times C_{OUT}$  must be constant while selecting smaller inductor or increasing output capacitor value.

### 8.2.2.1.2 Output Capacitor Selection

The advanced fast response voltage mode control scheme of the converter allows the use of small ceramic capacitors with a typical value of 22  $\mu\text{F}$ , without having large output voltage under and overshoots during heavy load transients. TI recommends ceramic capacitors with low ESR values because they result in lowest output voltage ripple. See for the TI-recommended components.

If ceramic output capacitors are used, the capacitor RMS ripple current rating always meets the application requirements. The RMS ripple current is calculated as in [Equation 6](#):

$$I_{\text{RMS}C_{\text{out}}} = V_{\text{OUT}} \times \frac{1 - \frac{V_{\text{OUT}}}{V_{\text{IN}}}}{L \times f} \times \frac{1}{2 \times \sqrt{3}} \quad (6)$$

At nominal load current, the device operates in PWM mode and the overall output voltage ripple is the sum of the voltage spike caused by the output capacitor ESR plus the voltage ripple caused by charging and discharging the output capacitor as calculated in [Equation 7](#):

$$\Delta V_{\text{OUT}} = V_{\text{OUT}} \times \frac{1 - \frac{V_{\text{OUT}}}{V_{\text{IN}}}}{L \times f} \times \left( \frac{1}{8 \times C_{\text{OUT}} \times f} + \text{ESR} \right) \quad (7)$$

Where the highest output voltage ripple occurs at the highest input voltage  $V_{\text{IN}}$ .

At light load currents, the converter operates in power save mode and the output voltage ripple is dependent on the output capacitor value. The output voltage ripple is set by the internal comparator delay and the external capacitor. The typical output voltage ripple is less than 1% of the nominal output voltage.

The adjustable output voltage of the DC-DC converter is calculated by [Equation 1](#) in the [Step-Down Converter](#). To keep the external resistor divider network robust against noise, an external feed forward capacitor is required for optimum load transient response. The value of feed forward capacitor must be in the range between 22 pF and 33 pF provided the equivalent resistance of  $\text{RDC1} \parallel \text{RDC2}$  in [Equation 1](#) is approximately 300 k $\Omega$ . Scale change on  $\text{RDC1} \parallel \text{RDC2}$  would apply a scale change to the feed forward capacitor to keep the RC product a constant.

### 8.2.2.1.3 Input Capacitor Selection

Due to the DC-DC converter having a pulsating input current, a low-ESR input capacitor is required for best input voltage filtering, and minimizing the interference with other circuits caused by high-input voltage spikes. Place the input capacitor as close as possible to the VINDCDC pin with the clean GND connection. Do the same for the output capacitor and the inductor. The converters require a ceramic input capacitor of 10  $\mu\text{F}$ . The input capacitor can increase without any limit for better input voltage filtering.

8.2.3 Application Curves

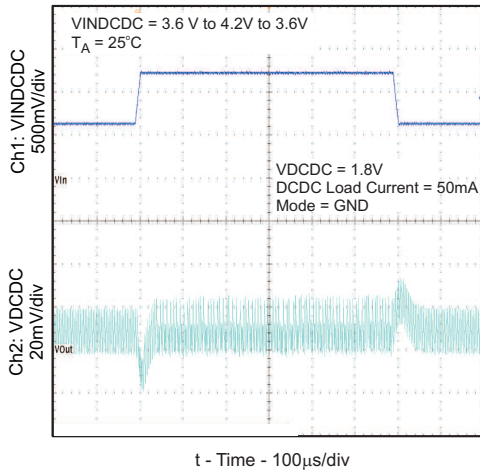


Figure 24. Line Transient Response (DC-DC PFM Mode)

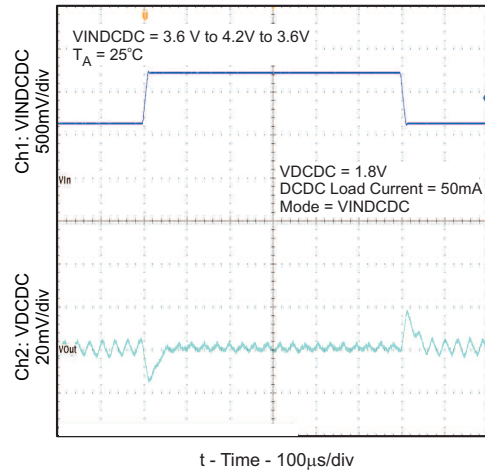


Figure 25. Line Transient Response (DC-DC PWM Mode)

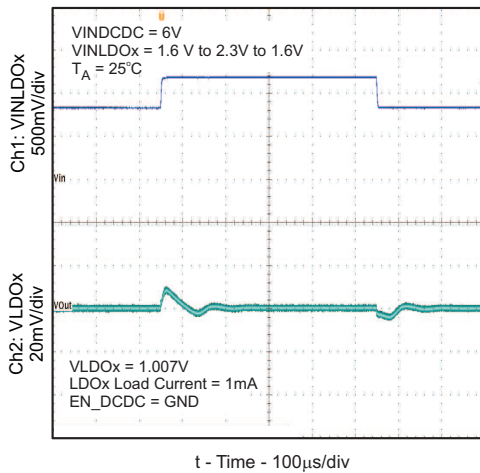


Figure 26. Line Transient Response (LDOx)

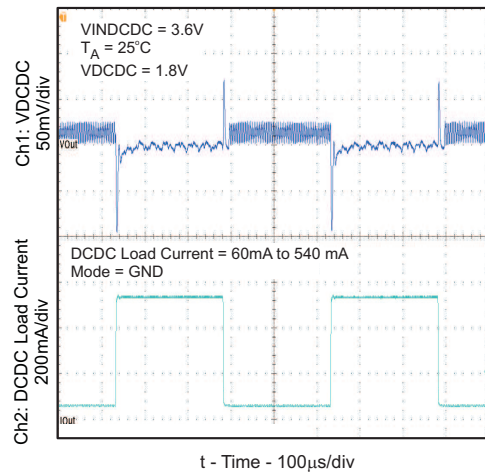


Figure 27. Load Transient Response (DC-DC PFM Mode)

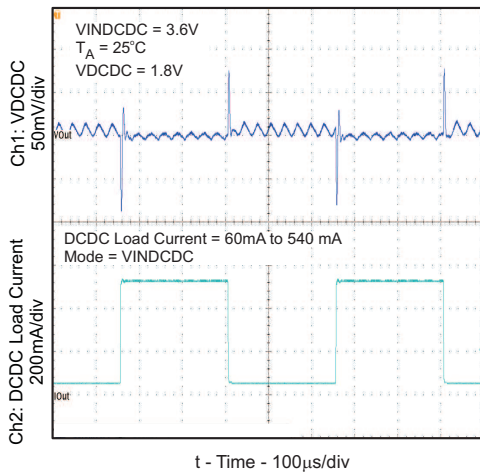


Figure 28. Load Transient Response (DC-DC PWM Mode)

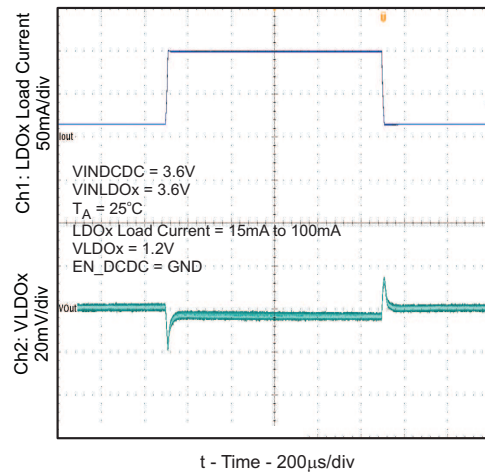


Figure 29. Load Transient Response (LDOx)

## 9 Power Supply Recommendations

The device is designed to operate with an input voltage supply range from 1.6 V to 6 V. This input supply can be from a DC supply, or other externally regulated supply. If the input supply is located more than a few inches from the TPS65000-Q1, additional bulk capacitance may be required in addition to the ceramic bypass capacitors. An electrolytic capacitor with a value of 10  $\mu\text{F}$  is a typical choice.

## 10 Layout

### 10.1 Layout Guidelines

- The VINDCDC and VINLDOx pins must be bypassed to ground with a low-ESR ceramic bypass capacitor. TI recommends the typical bypass capacitance is 10  $\mu\text{F}$  and 2.2  $\mu\text{F}$  with a X5R dielectric.
- The optimum placement is closest to the VINDCDCx and VINLDOx pins of the device. Minimize the loop area formed by the bypass capacitor connection, the VINDCDC and VINLDO pins, and the thermal pad of the device.
- The thermal pad must be tied to the PCB ground plane with multiple vias.
- The traces of the VLDOx and VDCDCx pins (feedback pins) must be routed away from any potential noise source to avoid coupling.
- VODC output capacitance must be placed immediately at the VODC pin. Excessive distance between the capacitance and DCDCx pin may cause poor converter performance.
- AGND star back to PGND as close to the device as possible.
- DGND connect to the thermal pad

### 10.2 Layout Examples

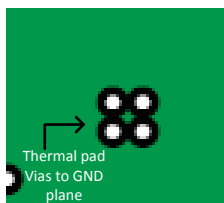


Figure 30. Layout Recommendation

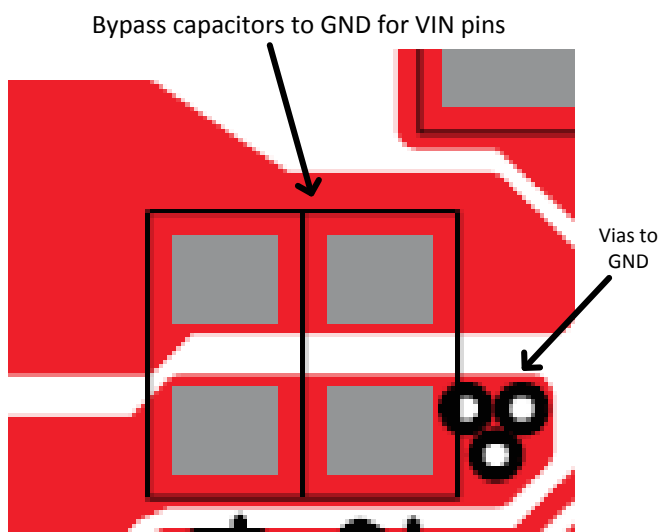


Figure 31. Bypass Capacitor and Via Placement Recommendation

## 11 器件和文档支持

### 11.1 器件支持

#### 11.1.1 Third-Party Products Disclaimer

TI'S PUBLICATION OF INFORMATION REGARDING THIRD-PARTY PRODUCTS OR SERVICES DOES NOT CONSTITUTE AN ENDORSEMENT REGARDING THE SUITABILITY OF SUCH PRODUCTS OR SERVICES OR A WARRANTY, REPRESENTATION OR ENDORSEMENT OF SUCH PRODUCTS OR SERVICES, EITHER ALONE OR IN COMBINATION WITH ANY TI PRODUCT OR SERVICE.

### 11.2 文档支持

#### 11.2.1 相关文档

相关文档如下：

[为直流/直流转换器选择电感器和电容器](#)

### 11.3 接收文档更新通知

要接收文档更新通知，请导航至德州仪器 TI.com.cn 上的器件产品文件夹。请单击右上角的 [通知我](#) 进行注册，即可收到任意产品信息更改每周摘要。有关更改的详细信息，请查看任意已修订文档中包含的修订历史记录。

### 11.4 社区资源

下列链接提供到 TI 社区资源的连接。链接的内容由各个分销商“按照原样”提供。这些内容并不构成 TI 技术规范，并且不一定反映 TI 的观点；请参阅 TI 的 [《使用条款》](#)。

**TI E2E™ 在线社区** [TI 的工程师对工程师 \(E2E\) 社区](#)。此社区的创建目的在于促进工程师之间的协作。在 e2e.ti.com 中，您可以咨询问题、分享知识、拓展思路并与同行工程师一道帮助解决问题。

**设计支持** [TI 参考设计支持](#) 可帮助您快速查找有帮助的 E2E 论坛、设计支持工具以及技术支持的联系信息。

### 11.5 商标

E2E is a trademark of Texas Instruments.

All other trademarks are the property of their respective owners.

### 11.6 静电放电警告



ESD 可能会损坏该集成电路。德州仪器 (TI) 建议通过适当的预防措施处理所有集成电路。如果不遵守正确的处理措施和安装程序，可能会损坏集成电路。

ESD 的损坏小至导致微小的性能降级，大至整个器件故障。精密的集成电路可能更容易受到损坏，这是因为非常细微的参数更改都可能会导致器件与其发布的规格不相符。

### 11.7 Glossary

[SLYZ022](#) — *TI Glossary*.

This glossary lists and explains terms, acronyms, and definitions.

## 12 机械、封装和可订购信息

以下页面包括机械、封装和可订购信息。这些信息是指定器件的最新可用数据。这些数据发生变化时，我们可能不会另行通知或修订此文档。如欲获取此产品说明书的浏览器版本，请参阅左侧的导航栏。

**PACKAGING INFORMATION**

Orderable Device	Status (1)	Package Type	Package Drawing	Pins	Package Qty	Eco Plan (2)	Lead finish/ Ball material (6)	MSL Peak Temp (3)	Op Temp (°C)	Device Marking (4/5)	Samples
TPS65000TRTERQ1	ACTIVE	WQFN	RTE	16	3000	RoHS & Green	NIPDAU	Level-2-260C-1 YEAR	-40 to 105	SJO	Samples

(1) The marketing status values are defined as follows:

**ACTIVE:** Product device recommended for new designs.

**LIFEBUY:** TI has announced that the device will be discontinued, and a lifetime-buy period is in effect.

**NRND:** Not recommended for new designs. Device is in production to support existing customers, but TI does not recommend using this part in a new design.

**PREVIEW:** Device has been announced but is not in production. Samples may or may not be available.

**OBSELETE:** TI has discontinued the production of the device.

(2) **RoHS:** TI defines "RoHS" to mean semiconductor products that are compliant with the current EU RoHS requirements for all 10 RoHS substances, including the requirement that RoHS substance do not exceed 0.1% by weight in homogeneous materials. Where designed to be soldered at high temperatures, "RoHS" products are suitable for use in specified lead-free processes. TI may reference these types of products as "Pb-Free".

**RoHS Exempt:** TI defines "RoHS Exempt" to mean products that contain lead but are compliant with EU RoHS pursuant to a specific EU RoHS exemption.

**Green:** TI defines "Green" to mean the content of Chlorine (Cl) and Bromine (Br) based flame retardants meet JS709B low halogen requirements of <=1000ppm threshold. Antimony trioxide based flame retardants must also meet the <=1000ppm threshold requirement.

(3) MSL, Peak Temp. - The Moisture Sensitivity Level rating according to the JEDEC industry standard classifications, and peak solder temperature.

(4) There may be additional marking, which relates to the logo, the lot trace code information, or the environmental category on the device.

(5) Multiple Device Markings will be inside parentheses. Only one Device Marking contained in parentheses and separated by a "-" will appear on a device. If a line is indented then it is a continuation of the previous line and the two combined represent the entire Device Marking for that device.

(6) Lead finish/Ball material - Orderable Devices may have multiple material finish options. Finish options are separated by a vertical ruled line. Lead finish/Ball material values may wrap to two lines if the finish value exceeds the maximum column width.

**Important Information and Disclaimer:**The information provided on this page represents TI's knowledge and belief as of the date that it is provided. TI bases its knowledge and belief on information provided by third parties, and makes no representation or warranty as to the accuracy of such information. Efforts are underway to better integrate information from third parties. TI has taken and continues to take reasonable steps to provide representative and accurate information but may not have conducted destructive testing or chemical analysis on incoming materials and chemicals. TI and TI suppliers consider certain information to be proprietary, and thus CAS numbers and other limited information may not be available for release.

In no event shall TI's liability arising out of such information exceed the total purchase price of the TI part(s) at issue in this document sold by TI to Customer on an annual basis.

**TAPE AND REEL INFORMATION**

**QUADRANT ASSIGNMENTS FOR PIN 1 ORIENTATION IN TAPE**


\*All dimensions are nominal

Device	Package Type	Package Drawing	Pins	SPQ	Reel Diameter (mm)	Reel Width W1 (mm)	A0 (mm)	B0 (mm)	K0 (mm)	P1 (mm)	W (mm)	Pin1 Quadrant
TPS65000TRTERQ1	WQFN	RTE	16	3000	330.0	12.4	3.3	3.3	1.1	8.0	12.0	Q2

**TAPE AND REEL BOX DIMENSIONS**



\*All dimensions are nominal

Device	Package Type	Package Drawing	Pins	SPQ	Length (mm)	Width (mm)	Height (mm)
TPS65000TRTERQ1	WQFN	RTE	16	3000	367.0	367.0	35.0



## GENERIC PACKAGE VIEW

**RTE 16**

**WQFN - 0.8 mm max height**

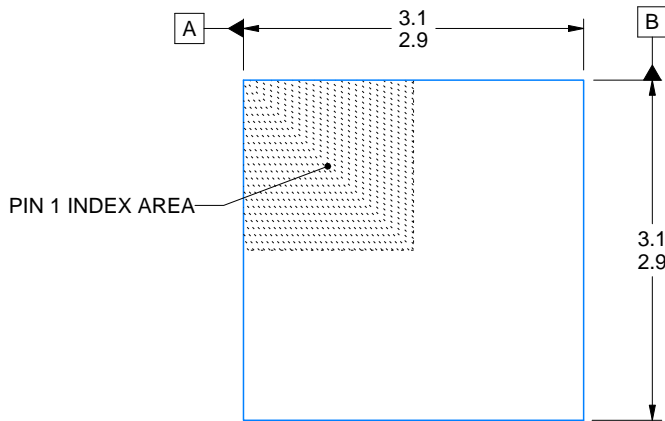
3 x 3, 0.5 mm pitch

PLASTIC QUAD FLATPACK - NO LEAD

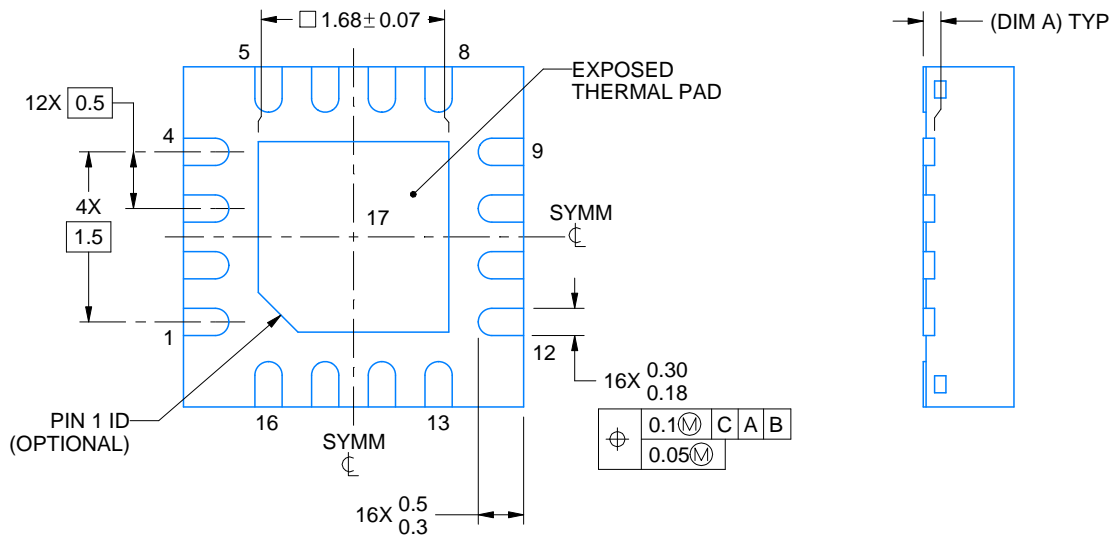
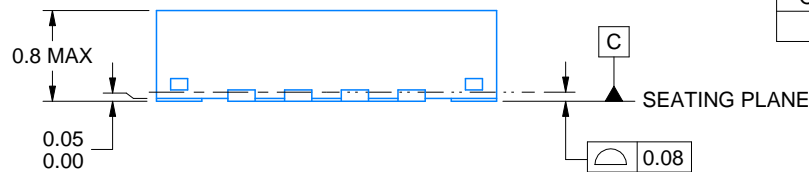
This image is a representation of the package family, actual package may vary.  
Refer to the product data sheet for package details.



4225944/A



SIDE WALL METAL THICKNESS DIM A	
OPTION 1	OPTION 2
0.1	0.2



4219117/B 04/2022

NOTES:

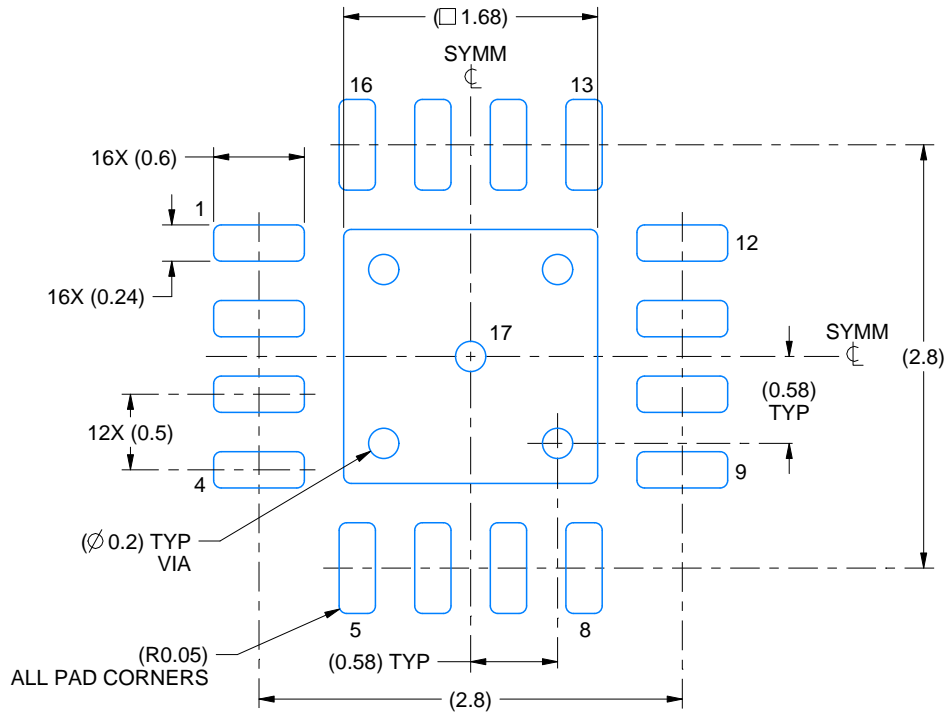
1. All linear dimensions are in millimeters. Any dimensions in parenthesis are for reference only. Dimensioning and tolerancing per ASME Y14.5M.
2. This drawing is subject to change without notice.
3. The package thermal pad must be soldered to the printed circuit board for thermal and mechanical performance.

# EXAMPLE BOARD LAYOUT

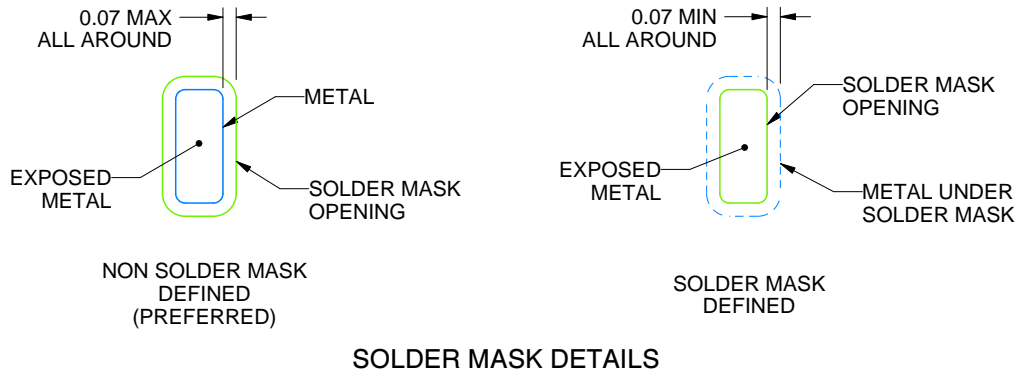
RTE0016C

WQFN - 0.8 mm max height

PLASTIC QUAD FLATPACK - NO LEAD



LAND PATTERN EXAMPLE  
EXPOSED METAL SHOWN  
SCALE:20X



SOLDER MASK DETAILS

4219117/B 04/2022

NOTES: (continued)

- This package is designed to be soldered to a thermal pad on the board. For more information, see Texas Instruments literature number SLUA271 ([www.ti.com/lit/sl原因271](http://www.ti.com/lit/sl原因271)).
- Vias are optional depending on application, refer to device data sheet. If any vias are implemented, refer to their locations shown on this view. It is recommended that vias under paste be filled, plugged or tented.

# EXAMPLE STENCIL DESIGN

RTE0016C

WQFN - 0.8 mm max height

PLASTIC QUAD FLATPACK - NO LEAD



**SOLDER PASTE EXAMPLE**  
BASED ON 0.125 mm THICK STENCIL

EXPOSED PAD 17:  
85% PRINTED SOLDER COVERAGE BY AREA UNDER PACKAGE  
SCALE:25X

4219117/B 04/2022

NOTES: (continued)

6. Laser cutting apertures with trapezoidal walls and rounded corners may offer better paste release. IPC-7525 may have alternate design recommendations.

## 重要声明和免责声明

TI“按原样”提供技术和可靠性数据（包括数据表）、设计资源（包括参考设计）、应用或其他设计建议、网络工具、安全信息和其他资源，不保证没有瑕疵且不做任何明示或暗示的担保，包括但不限于对适销性、某特定用途方面的适用性或不侵犯任何第三方知识产权的暗示担保。

这些资源可供使用 TI 产品进行设计的熟练开发人员使用。您将自行承担以下全部责任：(1) 针对您的应用选择合适的 TI 产品，(2) 设计、验证并测试您的应用，(3) 确保您的应用满足相应标准以及任何其他功能安全、信息安全、监管或其他要求。

这些资源如有变更，恕不另行通知。TI 授权您仅可将这些资源用于研发本资源所述的 TI 产品的应用。严禁对这些资源进行其他复制或展示。您无权使用任何其他 TI 知识产权或任何第三方知识产权。您应全额赔偿因在这些资源的使用中对 TI 及其代表造成的任何索赔、损害、成本、损失和债务，TI 对此概不负责。

TI 提供的产品受 [TI 的销售条款](#) 或 [ti.com](#) 上其他适用条款/TI 产品随附的其他适用条款的约束。TI 提供这些资源并不会扩展或以其他方式更改 TI 针对 TI 产品发布的适用的担保或担保免责声明。

TI 反对并拒绝您可能提出的任何其他或不同的条款。

邮寄地址：Texas Instruments, Post Office Box 655303, Dallas, Texas 75265

Copyright © 2022，德州仪器 (TI) 公司