

DLPC3478 显示和光控制器

1 特性

- 适用于 **DLP3010LC** (0.3 720p) DMD 的显示和光控制器
- 光控制特性：
 - 针对机器视觉和数码曝光进行了优化的图形显示
 - 灵活的内部 (1D) 和外部 (2D) 图形流模式
 - 可编程曝光时间
 - 高达 2500Hz (1 位) 和 360 Hz (8 位) 的高速图形速率
 - 可编程 2D 静态图形
 - 内部图形流模式支持简化的系统设计
 - 不再需要视频接口
 - 通过闪存存储超过 1000 个图形
 - 用于实现摄像头或传感器同步的灵活触发器信号
 - 一个可配置输入触发器
 - 两个可配置输入触发器
- 显示特性
 - 最高支持 720p 的输入图像大小
 - 输入帧速率高达 120Hz
 - 24 位, 输入像素接口支持：
 - 并行或 BT656, 接口协议
 - 像素时钟高达 155 MHz
 - 图像处理 - IntelliBright™ 算法、图像大小调整、1D 梯形校正、可编程去伽马校正
- 系统特性：
 - 器件配置的 I²C 控制
 - 可编程 Splash 屏幕
 - 可编程 LED 电流控制
 - 断电时自动实现 DMD 停放

2 应用

- 移动投影仪
- 智能显示
- 智能手机
- 增强现实眼镜
- 智能家居显示
- Pico 投影仪
- 3D 机器视觉

3 说明

DLPC3478 显示和光控制器为 **DLP3010LC** 数字显微镜器件 (DMD) 的可靠运行提供支持, 适用于视频显示和光控制应用。DLPC3478 控制器提供了连接用户电子产品和 DMD 的便捷接口, 以高速、精确且高效地显示视频和控制光图形。

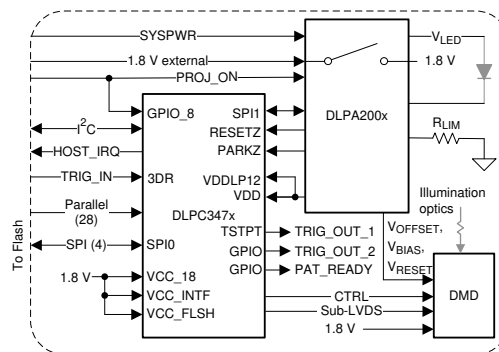
访问 **TI DLP® Pico™ 显示技术入门** 页面, 并查看 **编程人员指南** 了解详情。

该芯片组提供现成的资源, 可帮助用户加快设计周期。这些资源包括 **量产就绪型光学模块**、**光学模块制造商** 和 **设计公司**。

器件信息(1)

| 器件型号 | 封装 | 封装尺寸 (标称值) |
|----------|-------------|-------------------|
| DLPC3478 | NFBGA (201) | 13.00mm x 13.00mm |

(1) 如需了解所有可用封装, 请参阅数据表末尾的可订购产品附录。



典型的独立系统



Table of Contents

| | | | |
|---|-----------|--|-----------|
| 1 特性 | 1 | 7 Detailed Description | 27 |
| 2 应用 | 1 | 7.1 Overview..... | 27 |
| 3 说明 | 1 | 7.2 Functional Block Diagram..... | 27 |
| 4 Revision History | 2 | 7.3 Feature Description..... | 28 |
| 5 Pin Configuration and Functions | 4 | 7.4 Device Functional Modes..... | 50 |
| 6 Specifications | 13 | 7.5 Programming..... | 50 |
| 6.1 Absolute Maximum Ratings..... | 13 | 8 Application and Implementation | 51 |
| 6.2 ESD Ratings..... | 13 | 8.1 Application Information..... | 51 |
| 6.3 Recommended Operating Conditions..... | 14 | 8.2 Typical Application..... | 51 |
| 6.4 Thermal Information..... | 14 | 9 Power Supply Recommendations | 55 |
| 6.5 Power Electrical Characteristics..... | 15 | 9.1 PLL Design Considerations..... | 55 |
| 6.6 Pin Electrical Characteristics..... | 16 | 9.2 System Power-Up and Power-Down Sequence..... | 55 |
| 6.7 Internal Pullup and Pulldown Electrical Characteristics..... | 18 | 9.3 Power-Up Initialization Sequence..... | 59 |
| 6.8 DMD Sub-LVDS Interface Electrical Characteristics..... | 19 | 9.4 DMD Fast Park Control (PARKZ)..... | 59 |
| 6.9 DMD Low-Speed Interface Electrical Characteristics..... | 20 | 9.5 Hot Plug I/O Usage..... | 60 |
| 6.10 System Oscillator Timing Requirements..... | 21 | 10 Layout | 61 |
| 6.11 Power Supply and Reset Timing Requirements..... | 21 | 10.1 Layout Guidelines..... | 61 |
| 6.12 Parallel Interface Frame Timing Requirements..... | 22 | 10.2 Layout Example..... | 69 |
| 6.13 Parallel Interface General Timing Requirements..... | 23 | 11 Device and Documentation Support | 70 |
| 6.14 BT656 Interface General Timing Requirements..... | 24 | 11.1 Device Support..... | 70 |
| 6.15 Flash Interface Timing Requirements..... | 25 | 11.2 Documentation Support..... | 72 |
| 6.16 Other Timing Requirements..... | 25 | 11.3 接收文档更新通知..... | 72 |
| 6.17 DMD Sub-LVDS Interface Switching Characteristics..... | 26 | 11.4 支持资源..... | 72 |
| 6.18 DMD Parking Switching Characteristics..... | 26 | 11.5 Trademarks..... | 72 |
| 6.19 Chipset Component Usage Specification..... | 26 | 11.6 静电放电警告..... | 72 |
| | | 11.7 术语表..... | 72 |
| | | 12 Mechanical, Packaging, and Orderable Information | 72 |

4 Revision History

| Changes from Revision B (June 2019) to Revision C (December 2020) | Page |
|---|------|
| • 将像素时钟更改为 155MHz..... | 1 |
| • 更新了支持的 DMD..... | 1 |
| • Reorganized Pin Function description..... | 4 |
| • Updated Absolute Maximum Rating | 13 |
| • Updated Recommended Operating Conditions..... | 14 |
| • Updated Power Electrical Characteristics | 15 |
| • Updated Pin Electrical Characteristics..... | 16 |
| • Updated DMD Sub-LVDS Interface Electrical Characteristics | 19 |
| • Updated DMD Low-Speed Interface Electrical Characteristics..... | 20 |
| • Updated System Oscillator Timing Requirements..... | 21 |
| • Updated Power Supply and Reset Timing Requirements | 21 |
| • Added BT.656 Interface Mode Bit Mapping | 24 |
| • Added Flash Interface Timing diagram..... | 25 |
| • Updated maximum SPI flash size to 128Mb..... | 25 |
| • Added DMD Sub-LVDS Interface Switching Characteristics..... | 26 |
| • Added DMD Parking Switching Characteristics..... | 26 |
| • Added Chipset Component Usage Specification | 26 |
| • Updated external pattern streaming system block diagram..... | 51 |

- Updated internal pattern streaming system block diagram.....51
-

Changes from Revision A (July 2018) to Revision B (June 2019) Page

- 版本 C 更改替代了版本 B 更改..... 1
-

Changes from Revision * (April 2018) to Revision A (July 2018) Page

- 首次公开发布完整数据表..... 1
-

5 Pin Configuration and Functions

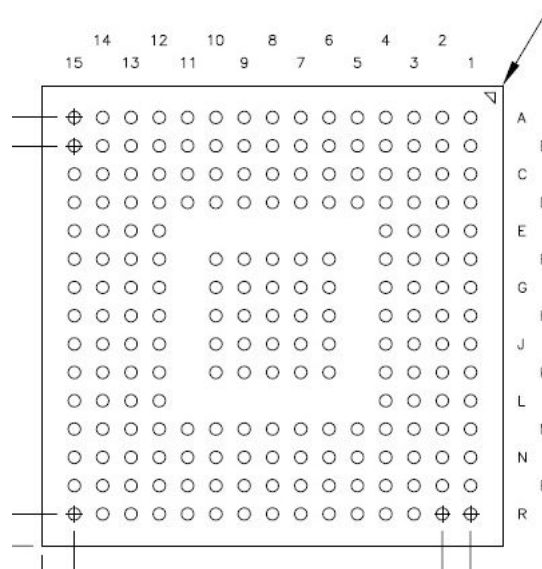


图 5-1. ZEZ Package 201-Pin NFBGA Bottom View

| | 1 | 2 | 3 | 4 | 5 | 6 | 7 | 8 | 9 | 10 | 11 | 12 | 13 | 14 | 15 |
|----------|---------------|--------------|-----------------|-----------------|-----------------|-----------------|--------------|-----------------|-----------------|-----------------|-----------------|-----------|-----------|-----------|-----------|
| A | DMD_LS_CLK | DMD_LS_WDATA | DMD_HS_WDATAH_P | DMD_HS_WDATAG_P | DMD_HS_WDATAF_P | DMD_HS_WDATAE_P | DMD_HS_CLK_P | DMD_HS_WDATAD_P | DMD_HS_WDATAC_P | DMD_HS_WDATAB_P | DMD_HS_WDATAA_P | CMP_OUT | SPI0_CLK | SPI0_CSZ0 | CMP_PWM |
| B | DMD_DEN_ARSTZ | DMD_LS_RDATA | DMD_HS_WDATAH_N | DMD_HS_WDATAG_N | DMD_HS_WDATAF_N | DMD_HS_WDATAE_N | DMD_HS_CLK_N | DMD_HS_WDATAD_N | DMD_HS_WDATAC_N | DMD_HS_WDATAB_N | DMD_HS_WDATAA_N | SPI0_DIN | SPI0_DOUT | LED_SEL_1 | LED_SEL_0 |
| C | DD3P | DD3N | VDDL12 | VSS | VDD | VSS | VCC | VSS | VCC | HWTEST_EN | RESETZ | SPI0_CSZ1 | PARKZ | GPIO_00 | GPIO_01 |
| D | DD2P | DD2N | VDD | VCC | VDD | VSS | VDD | VSS | VDD | VSS | VCC_FLSH | VDD | VDD | GPIO_02 | GPIO_03 |
| E | DCLKP | DCLKN | VDD | VSS | | | | | | | | VCC | VSS | GPIO_04 | GPIO_05 |
| F | DD1P | DD1N | RREF | VSS | | VSS | VSS | VSS | VSS | VSS | | VCC | VDD | GPIO_06 | GPIO_07 |
| G | DD0P | DD0N | VSS_PLLM | VSS | | VSS | VSS | VSS | VSS | VSS | | VSS | VSS | GPIO_08 | GPIO_09 |
| H | PLL_REFCLK_I | VDD_PLLM | VSS_PLLD | VSS | | VSS | VSS | VSS | VSS | VSS | | VSS | VDD | GPIO_10 | GPIO_11 |
| J | PLL_REFCLK_O | VDD_PLLD | VSS | VDD | | VSS | VSS | VSS | VSS | VSS | | VDD | VSS | GPIO_12 | GPIO_13 |
| K | PDATA_1 | PDATA_0 | VDD | VSS | | VSS | VSS | VSS | VSS | VSS | | VSS | VCC | GPIO_14 | GPIO_15 |
| L | PDATA_3 | PDATA_2 | VSS | VDD | | | | | | | | VDD | VDD | GPIO_16 | GPIO_17 |
| M | PDATA_5 | PDATA_4 | VCC_INTF | VSS | VSS | VDD | VCC_INTF | VSS | VDD | VDD | VCC | VSS | JTAGTMS1 | GPIO_18 | GPIO_19 |
| N | PDATA_7 | PDATA_6 | VCC_INTF | PDM_CVSTE | HSYNC_CS | 3DR | VCC_INTF | HOST_IRQ | IIC0_SDA | IIC0_SCL | JTAGTMS2 | JTAGTD02 | JTAGTD01 | TSTPT_6 | TSTPT_7 |
| P | VSYNC_WE | DATEN_CMD | PCLK | PDATA_11 | PDATA_13 | PDATA_15 | PDATA_17 | PDATA_19 | PDATA_21 | PDATA_23 | JTAGTRSTZ | JTAGTCK | JTAGTDI | TSTPT_4 | TSTPT_5 |
| R | PDATA_8 | PDATA_9 | PDATA_10 | PDATA_12 | PDATA_14 | PDATA_16 | PDATA_18 | PDATA_20 | PDATA_22 | IIC1_SDA | IIC1_SCL | TSTPT_0 | TSTPT_1 | TSTPT_2 | TSTPT_3 |

表 5-1. Test Pins and General Control

| PIN | | I/O | TYPE ⁽⁴⁾ | DESCRIPTION |
|-----------|--------------------|-----|---------------------|---|
| NAME | NO. | | | |
| HWTEST_EN | C10 | I | 6 | Manufacturing test enable signal. Connect this signal directly to ground on the PCB for normal operation. |
| PARKZ | C13 | I | 6 | DMD fast park control (active low Input with a hysteresis buffer). This signal is used to quickly park the DMD when loss of power is imminent. The longest lifetime of the DMD may not be achieved with the fast park operation; therefore, this signal is intended to only be asserted when a normal park operation is unable to be completed. The PARKZ signal is typically provided from the DLPAXxxx interrupt output signal. |
| JTAGTCK | P12 | I | 6 | TI internal use. Leave this pin unconnected. |
| JTAGTDI | P13 | I | 6 | TI internal use. Leave this pin unconnected. |
| JTAGTDO1 | N13 ⁽¹⁾ | O | 1 | TI internal use. Leave this pin unconnected. |
| JTAGTDO2 | N12 ⁽¹⁾ | O | 1 | TI internal use. Leave this pin unconnected. |
| JTAGTMS1 | M13 | I | 6 | TI internal use. Leave this pin unconnected. |
| JTAGTMS2 | N11 | I | 6 | TI internal use. Leave this pin unconnected. |
| JTAGTRSTZ | P11 | I | 6 | TI internal use. This pin must be tied to ground, through an external resistor for normal operation. Failure to tie this pin low during normal operation can cause start up and initialization problems. ⁽²⁾ |
| RESETZ | C11 | I | 6 | Power-on reset (active low input with a hysteresis buffer). Self-configuration starts when a low-to-high transition is detected on RESETZ. All controller power and clocks must be stable before this reset is de-asserted. No signals are in their active state while RESETZ is asserted. This pin is typically connected to the RESETZ pin of the DLPA200x or RESET_Z of the DLPA300X. |
| TSTPT_0 | R12 | I/O | 1 | Test pins (includes weak internal pulldown). Pins are tri-stated while RESETZ is asserted low. Sampled as an input test mode selection control approximately 1.5 μ s after de-assertion of RESETZ, and then driven as outputs. ^{(2) (3)} |
| TSTPT_1 | R13 | I/O | 1 | |
| TSTPT_2 | R14 | I/O | 1 | Normal use: reserved for test output. Leave open for normal use. Note: An external pullup may put the DLPC34xx in a test mode. See 节 7.3.9 for more information. |
| TSTPT_3 | R15 | I/O | 1 | |
| TSTPT_4 | P14 | I/O | 1 | Test pin 4 (Includes weak internal pulldown) – tri-stated while RESETZ is asserted low. Sampled as an input test mode selection control approximately 1.5 μ s after de-assertion of RESETZ and then driven as an output. Reserved for TRIG_OUT_1 signal (Output). |
| TSTPT_5 | P15 | I/O | 1 | Test pins (includes weak internal pulldown). Pins are tri-stated while RESETZ is asserted low. Sampled as an input test mode selection control approximately 1.5 μ s after de-assertion of RESETZ, and then driven as outputs. ^{(2) (3)} |
| TSTPT_6 | N14 | I/O | 1 | |
| TSTPT_7 | N15 | I/O | 1 | Normal use: reserved for test output. Leave open for normal use. Note: An external pullup may put the DLPC34xx in a test mode. See 节 7.3.9 for more information. |

- (1) If the application design does not require an external pullup, and there is no external logic that can overcome the weak internal pulldown resistor, then this I/O pin can be left open or unconnected for normal operation. If the application design does not require an external pullup, but there is external logic that might overcome the weak internal pulldown resistor, then an external pulldown is recommended to ensure a logic low.
- (2) External resistor must have a value of 8 k Ω or less to compensate for pins that provide internal pullup or pulldown resistors.
- (3) If the application design does not require an external pullup and there is no external logic that can overcome the weak internal pulldown, then the TSTPT I/O can be left open (unconnected) for normal operation. If operation does not call for an external pullup, but there is external logic that might overcome the weak internal pulldown resistor, then an external pulldown resistor is recommended to ensure a logic low.
- (4) See [表 5-10](#) for type definitions.

表 5-2. Parallel Port Input

| PIN ^{(1) (2)} | | I/O | Type ⁽⁴⁾ | DESCRIPTION | |
|--|---|-----|---------------------|---|--|
| NAME | NO. | | | PARALLEL RGB MODE | BT656 INTERFACE MODE |
| PCLK | P3 | I | 11 | Pixel clock | Pixel clock |
| PDM_CVS_TE | N4 | I/O | 5 | Parallel data mask. Programmable polarity with default of active high. Optional signal. | Unused |
| VSYNC_WE | P1 | I | 11 | Vsync ⁽³⁾ | Unused |
| HSYNC_CS | N5 | I | 11 | Hsync ⁽³⁾ | Unused |
| DATAEN_CMD | P2 | I | 11 | Data valid | Unused |
| PDATA_0 PDATA_1 PDATA_2 PDATA_3 PDATA_4 PDATA_5 PDATA_6 PDATA_7 | K2 K1 L2 L1 M2 M1 N2 N1 | I | 11 | (TYPICAL RGB 888) Blue (bit weight 1) Blue (bit weight 2) Blue (bit weight 4) Blue (bit weight 8) Blue (bit weight 16) Blue (bit weight 32) Blue (bit weight 64) Blue (bit weight 128) | BT656_Data (0) BT656_Data (1) BT656_Data (2) BT656_Data (3) BT656_Data (4) BT656_Data (5) BT656_Data (6) BT656_Data (7) |
| PDATA_8 PDATA_9 PDATA_10 PDATA_11 PDATA_12 PDATA_13 PDATA_14 PDATA_15 | R1 R2 R3 P4 R4 P5 R5 P6 | I | 11 | (TYPICAL RGB 888) Green (bit weight 1) Green (bit weight 2) Green (bit weight 4) Green (bit weight 8) Green (bit weight 16) Green (bit weight 32) Green (bit weight 64) Green (bit weight 128) | Unused |
| PDATA_16 PDATA_17 PDATA_18 PDATA_19 PDATA_20 PDATA_21 PDATA_22 PDATA_23 | R6 P7 R7 P8 R8 P9 R9 P10 | I | 11 | (TYPICAL RGB 888) Red (bit weight 1) Red (bit weight 2) Red (bit weight 4) Red (bit weight 8) Red (bit weight 16) Red (bit weight 32) Red (bit weight 64) Red (bit weight 128) | Unused |
| 3DR | N6 | I | 11 | Light Control <ul style="list-style-type: none"> External input trigger signal for Internal Pattern mode (input) 3D reference <ul style="list-style-type: none"> For 3D applications: left or right 3D reference (left = 1, right = 0). To be provided by the host. Must transition in the middle of each frame (no closer than 1 ms to the active edge of VSYNC) If a 3D application is not used, pull this input low through an external resistor. | |

(1) PDATA(23:0) bus mapping depends on pixel format and source mode. See later sections for details.

(2) Connect unused inputs to ground or pulldown to ground through an external resistor (8 k Ω or less).

(3) VSYNC and HSYNC polarity can be adjusted by software.

(4) See 表 5-10 for type definitions.

表 5-3. DSI Input Data and Clock

| PIN | | I/O | Type ⁽¹⁾ | DESCRIPTION |
|--|--|-----|---------------------|--|
| NAME | NO. | | | |
| DCLKN DCLKP | E2 E1 | --- | --- | unused; Leave unconnected and floating. |
| DD0N DD0P DD1N DD1P DD2N DD2P DD3N DD3P | G2 G1 F2 F1 D2 D1 C2 C1 | --- | --- | unused; Leave unconnected and floating. |
| RREF | F3 | — | --- | Leave this pin unconnected and floating. |

(1) See 表 5-10 for type definitions.

表 5-4. DMD Reset and Bias Control

| PIN | | I/O | TYPE ⁽¹⁾ | DESCRIPTION |
|---------------|-----|-----|---------------------|--|
| NAME | NO. | | | |
| DMD_DEN_ARSTZ | B1 | O | 2 | DMD driver enable (active high). DMD reset (active low). When corresponding I/O power is supplied, the controller drives this signal low after the DMD is parked and before power is removed from the DMD. If the 1.8-V power to the DLPC34xx is independent of the 1.8-V power to the DMD, then TI recommends including a weak, external pull-down resistor to hold the signal low in case DLPC34xx power is inactive while DMD power is applied. |
| DMD_LS_CLK | A1 | O | 3 | DMD, low speed (LS) interface clock |
| DMD_LS_WDATA | A2 | O | 3 | DMD, low speed (LS) serial write data |
| DMD_LS_RDATA | B2 | I | 6 | DMD, low speed (LS) serial read data |

(1) See 表 5-10 for type definitions.

表 5-5. DMD Sub-LVDS Interface

| PIN | | I/O | TYPE ⁽¹⁾ | DESCRIPTION |
|--|--|-----|---------------------|--|
| NAME | NO. | | | |
| DMD_HS_CLK_P DMD_HS_CLK_N | A7 B7 | O | 4 | DMD high speed (HS) interface clock |
| DMD_HS_WDATA_H_P DMD_HS_WDATA_H_N DMD_HS_WDATA_G_P DMD_HS_WDATA_G_N DMD_HS_WDATA_F_P DMD_HS_WDATA_F_N DMD_HS_WDATA_E_P DMD_HS_WDATA_E_N DMD_HS_WDATA_D_P DMD_HS_WDATA_D_N DMD_HS_WDATA_C_P DMD_HS_WDATA_C_N DMD_HS_WDATA_B_P DMD_HS_WDATA_B_N DMD_HS_WDATA_A_P DMD_HS_WDATA_A_N | A3 B3 A4 B4 A5 B5 A6 B6 A8 B8 A9 B9 A10 B10 A11 B11 | O | 4 | DMD sub-LVDS high speed (HS) interface write data lanes. The true numbering and application of the DMD_HS_WDATA pins depend on the software configuration. See 表 7-10. |

(1) See 表 5-10 for type definitions.

表 5-6. Peripheral Interface⁽¹⁾

| PIN ⁽¹⁾ | | I/O | TYPE ⁽³⁾ | DESCRIPTION |
|-------------------------|-----|-----|---------------------|---|
| NAME | NO. | | | |
| CMP_OUT | A12 | I | 6 | Successive approximation ADC (analog-to-digital converter) comparator output (DLPC34xx Input). To implement, use a successive approximation ADC with a thermistor feeding one input of the external comparator and the DLPC34xx controller GPIO_10 (RC_CHARGE) pin driving the other side of the comparator. It is recommended to use the DLPxxxx to achieve this function. CMP_OUT must be pulled-down to ground if this function is not used. (hysteresis buffer) |
| CMP_PWM | A15 | O | 1 | TI internal use. Leave this pin unconnected. |
| HOST_IRQ ⁽²⁾ | N8 | O | 9 | Host interrupt (output) HOST_IRQ indicates when the DLPC34xx auto-initialization is in progress and most importantly when it completes. This pin is tri-stated during reset. An external pullup must be included on this signal. |
| IIC0_SCL ⁽⁴⁾ | N10 | I/O | 7 | I ² C slave (port 0) SCL (bidirectional, open-drain signal with input hysteresis): This pin requires an external pullup resistor. The slave I ² C I/Os are 3.6-V tolerant (high-voltage-input tolerant) and are powered by VCC_INTF (which can be 1.8, 2.5, or 3.3 V). External I ² C pullups must be connected to a host supply with an equal or higher supply voltage, up to a maximum of 3.6 V (a lower pullup supply voltage does not typically satisfy the V _{IH} specification of the slave I ² C input buffers). |
| IIC1_SCL | R11 | I/O | 8 | TI internal use. TI recommends an external pullup resistor. |
| IIC0_SDA ⁽⁴⁾ | N9 | I/O | 7 | I ² C slave (port 0) SDA (bidirectional, open-drain signal with input hysteresis): This pin requires an external pullup resistor. The slave I ² C port is the control port of controller. The slave I ² C I/O pins are 3.6-V tolerant (high-volt-input tolerant) and are powered by VCC_INTF (which can be 1.8, 2.5, or 3.3 V). External I ² C pullups must be connected to a host supply with an equal or higher supply voltage, up to a maximum of 3.6 V (a lower pullup supply voltage does not typically satisfy the V _{IH} specification of the slave I ² C input buffers). |
| IIC1_SDA | R10 | I/O | 8 | TI internal use. TI recommends an external pullup resistor. |
| LED_SEL_0 | B15 | O | 1 | LED enable select. Automatically controlled by the DLPC34xx programmable DMD sequence LED_SEL(1:0) 00 Enabled LED 01 None 10 Red 11 Green Blue |
| LED_SEL_1 | B14 | O | 1 | The controller drives these signals low when RESETZ is asserted and the corresponding I/O power is supplied. The controller continues to drive these signals low throughout the auto-initialization process. A weak, external pulldown resistor is recommended to ensure that the LEDs are disabled when I/O power is not applied. |
| SPI0_CLK | A13 | O | 13 | SPI (Serial Peripheral Interface) port 0, clock. This pin is typically connected to the flash memory clock. |
| SPI0_CSZ0 | A14 | O | 13 | SPI port 0, chip select 0 (active low output). This pin is typically connected to the flash memory chip select. TI recommends an external pullup resistor to avoid floating inputs to the external SPI device during controller reset assertion. |
| SPI0_CSZ1 | C12 | O | 13 | SPI port 0, chip select 1 (active low output). This pin typically remains unused. TI recommends an external pullup resistor to avoid floating inputs to the external SPI device during controller reset assertion. |
| SPI0_DIN | B12 | I | 12 | Synchronous serial port 0, receive data in. This pin is typically connected to the flash memory data out. |
| SPI0_DOUT | B13 | O | 13 | Synchronous serial port 0, transmit data out. This pin is typically connected to the flash memory data in. |

(1) External pullup resistor must be 8 k Ω or less.(2) For more information about usage, see [# 7.3.3](#).(3) See [表 5-10](#) for type definitions.

- (4) When VCC_INTF is powered and VDD is not powered, the controller may drive the IIC0_xxx pins low which prevents communication on this I²C bus. Do not power up the VCC_INTF pin before powering up the VDD pin for any system that has additional slave devices on this bus.

表 5-7. GPIO Peripheral Interface⁽¹⁾

| PIN ⁽¹⁾ | | I/O | TYPE ⁽³⁾ | DESCRIPTION ⁽²⁾ |
|--------------------|-----|-----|---------------------|---|
| NAME | NO. | | | |
| GPIO_19 | M15 | I/O | 1 | General purpose I/O 19 (hysteresis buffer). Optional GPIO. If unused TI recommends this pin be configured as a logic zero GPIO output and left unconnected. Otherwise this pin requires an external pullup or pulldown to avoid a floating GPIO input. |
| GPIO_18 | M14 | I/O | 1 | General purpose I/O 18 (hysteresis buffer). Options: 1. Optional GPIO. If unused TI recommends this pin be configured as a logic zero GPIO output and left unconnected. Otherwise this pin requires an external pullup or pulldown to avoid a floating GPIO input. 2. MTR_SENSE, Motor Sense (Input): For focus motor control applications, this GPIO must be configured as an input to the DLPC34xx and supplied from the focus motor position sensor. |
| GPIO_17 | L15 | I/O | 1 | General purpose I/O 17 (hysteresis buffer). Optional GPIO. If unused TI recommends this pin be configured as a logic zero GPIO output and left unconnected. Otherwise this pin requires an external pullup or pulldown to avoid a floating GPIO input. |
| GPIO_16 | L14 | I/O | 1 | General purpose I/O 16 (hysteresis buffer). Optional GPIO. If unused TI recommends this pin be configured as a logic zero GPIO output and left unconnected. Otherwise this pin requires an external pullup or pulldown to avoid a floating GPIO input. |
| GPIO_15 | K15 | I/O | 1 | General purpose I/O 15 (hysteresis buffer). Optional GPIO. If unused TI recommends this pin be configured as a logic zero GPIO output and left unconnected. Otherwise this pin requires an external pullup or pulldown to avoid a floating GPIO input. |
| GPIO_14 | K14 | I/O | 1 | General purpose I/O 14 (hysteresis buffer). Optional GPIO. If unused TI recommends this pin be configured as a logic zero GPIO output and left unconnected. Otherwise this pin requires an external pullup or pulldown to avoid a floating GPIO input. |
| GPIO_13 | J15 | I/O | 1 | General purpose I/O 13 (hysteresis buffer). Optional GPIO. If unused TI recommends this pin be configured as a logic zero GPIO output and left unconnected. Otherwise this pin requires an external pullup or pulldown to avoid a floating GPIO input. |
| GPIO_12 | J14 | I/O | 1 | General purpose I/O 12 (hysteresis buffer). Optional GPIO. If unused TI recommends this pin be configured as a logic zero GPIO output and left unconnected. Otherwise this pin requires an external pullup or pulldown to avoid a floating GPIO input. |
| GPIO_11 | H15 | I/O | 1 | General purpose I/O 11 (hysteresis buffer). Options: 1. Thermistor power enable (output). Turns on the power to the thermistor when it is used and enabled. 2. Optional GPIO. If unused TI recommends this pin be configured as a logic zero GPIO output and left unconnected. Otherwise this pin requires an external pullup or pulldown to avoid a floating GPIO input. |
| GPIO_10 | H14 | I/O | 1 | General Purpose I/O 10 (hysteresis buffer). Options: 1. RC_CHARGE (output): Intended to feed the RC charge circuit of the thermistor interface. 2. Optional GPIO. If unused TI recommends this pin be configured as a logic zero GPIO output and left unconnected. Otherwise this pin requires an external pullup or pulldown to avoid a floating GPIO input. |
| GPIO_09 | G15 | I/O | 1 | General purpose I/O 09 (hysteresis buffer). Optional GPIO. If unused TI recommends this pin be configured as a logic zero GPIO output and left unconnected. Otherwise this pin requires an external pullup or pulldown to avoid a floating GPIO input. |
| GPIO_08 | G14 | I/O | 1 | General purpose I/O 08 (hysteresis buffer). Normal mirror parking request (active low): To be driven by the PROJ_ON output of the host. A logic low on this signal causes the DLPC34xx to PARK the DMD, but it does not power down the DMD (the DLPAXxxx does that instead). The minimum high time is 200 ms. The minimum low time is 200 ms. |

表 5-7. GPIO Peripheral Interface⁽¹⁾ (continued)

| PIN ⁽¹⁾ | | I/O | TYPE ⁽³⁾ | DESCRIPTION ⁽²⁾ |
|--------------------|-----|-----|---------------------|---|
| NAME | NO. | | | |
| GPIO_07 | F15 | I/O | 1 | General purpose I/O 07 (hysteresis buffer). Options: 1. Light Control: Reserved for TRIG_OUT_2 signal (Output). 2. Optional GPIO. Should be configured as a logic zero GPIO output and left unconnected if not used (otherwise it will require an external pullup or pulldown to avoid a floating GPIO input). |
| GPIO_06 | F14 | I/O | 1 | General purpose I/O 06 (hysteresis buffer). Option: 1. Light Control: Reserved for pattern ready signal (Output). Applicable in Internal Pattern Streaming Mode only. 2. Optional GPIO. Should be configured as a logic zero GPIO output and left unconnected if not used (otherwise it will require an external pullup or pulldown to avoid a floating GPIO input). |
| GPIO_05 | E15 | I/O | 1 | General purpose I/O 05 (hysteresis buffer). Optional GPIO. If unused TI recommends this pin be configured as a logic zero GPIO output and left unconnected. Otherwise this pin requires an external pullup or pulldown to avoid a floating GPIO input. |
| GPIO_04 | E14 | I/O | 1 | General purpose I/O 04 (hysteresis buffer). Options: 1. 3D glasses control (output): Controls the shutters on 3D glasses (Left = 1, Right = 0). 2. SPI1_CSZ1 (active-low output): Optional SPI1 chip select 1 signal. Requires an external pullup resistor to deactivate this signal during reset and auto-initialization processes. 3. Optional GPIO. If unused TI recommends this pin be configured as a logic zero GPIO output and left unconnected. Otherwise this pin requires an external pullup or pulldown to avoid a floating GPIO input. |
| GPIO_03 | D15 | I/O | 1 | General purpose I/O 03 (hysteresis buffer). SPI1_CSZ0 (active low output): SPI1 chip select 0 signal. This pin is typically connected to the DLPxxxx SPI_CSZ pin. Requires an external pullup resistor to deactivate this signal during reset and auto-initialization processes. |
| GPIO_02 | D14 | I/O | 1 | General purpose I/O 02 (hysteresis buffer). SPI1_DOUT (output): SPI1 data output signal. This pin is typically connected to the DLPxxxx SPI_DIN pin. |
| GPIO_01 | C15 | I/O | 1 | General purpose I/O 01 (hysteresis buffer). SPI1_CLK (output): SPI1 clock signal. This pin is typically connected to the DLPxxxx SPI_CLK pin. |
| GPIO_00 | C14 | I/O | 1 | General purpose I/O 00 (hysteresis buffer). SPI1_DIN (input): SPI1 data input signal. This pin is typically connected to the DLPxxxx SPI_DOUT pin. |

- (1) GPIO pins must be configured through software for input, output, bidirectional, or open-drain operation. Some GPIO pins have one or more alternative use modes, which are also software configurable. An external pullup resistor is required for each signal configured as open-drain.
- (2) General purpose I/O for the DLPC3478 controller. These GPIO pins are software configurable.
- (3) See 表 5-10 for type definitions.

表 5-8. Clock and PLL Support

| PIN | | I/O | TYPE ⁽¹⁾ | DESCRIPTION |
|--------------|-----|-----|---------------------|--|
| NAME | NO. | | | |
| PLL_REFCLK_I | H1 | I | 11 | Reference clock crystal input. If an external oscillator is used instead of a crystal, use this pin as the oscillator input. |
| PLL_REFCLK_O | J1 | O | 5 | Reference clock crystal return. If an external oscillator is used instead of a crystal, leave this pin unconnected (floating with no added capacitive load). |

- (1) See 表 5-10 for type definitions.

表 5-9. Power and Ground

| PIN | | I/O | TYPE | DESCRIPTION |
|----------|---|-----|------|---|
| NAME | NO. | | | |
| VDD | C5, D5, D7, D12, J4, J12, K3, L4, L12, M6, M9, D9, D13, F13, H13, L13, M10, D3, E3 | — | PWR | Core 1.1-V power (main 1.1 V) |
| VDDL12 | C3 | — | --- | Unused. It is recommended to externally tie this pin to VDD. |
| VSS | C4, D6, D8, D10, E4, E13, F4, G4, G12, H4, H12, J3, J13, K4, K12, L3, M4, M5, M8, M12, G13, C6, C8, F6, F7, F8, F9, F10, G6, G7, G8, G9, G10, H6, H7, H8, H9, H10, J6, J7, J8, J9, J10, K6, K7, K8, K9, K10 | — | GND | Core ground (eDRAM, DSI, I/O ground, thermal ground) |
| VCC18 | C7, C9, D4, E12, F12, K13, M11 | — | PWR | All 1.8-V I/O power: (1.8-V power supply for all I/O pins except the host or parallel interface and the SPI flash interface. This includes RESETZ, PARKZ, LED_SEL, CMP_OUT, GPIO, IIC1, TSTPT, and JTAG pins) |
| VCC_INTF | M3, M7, N3, N7 | — | PWR | Host or parallel interface I/O power: 1.8 V to 3.3 V (Includes IIC0, PDATA, video syncs, and HOST_IRQ pins) |
| VCC_FLSH | D11 | — | PWR | Flash interface I/O power: 1.8 V to 3.3 V (Dedicated SPI0 power pin) |
| VDD_PLLM | H2 | — | PWR | MCG PLL (master clock generator phase lock loop) 1.1-V power |
| VSS_PLLM | G3 | — | RTN | MCG PLL return |
| VDD_PLLD | J2 | — | PWR | DCG PLL (DMD clock generator phase lock loop) 1.1-V power |
| VSS_PLLD | H3 | — | RTN | DCG PLL return |

表 5-10. I/O Type Subscript Definition

| SUBSCRIPT | I/O | SUPPLY REFERENCE | ESD STRUCTURE |
|-----------|--|----------------------|----------------------------------|
| | DESCRIPTION | | |
| 1 | 1.8-V LVCMOS I/O buffer with 8-mA drive | V _{cc18} | ESD diode to GND and supply rail |
| 2 | 1.8-V LVCMOS I/O buffer with 4-mA drive | V _{cc18} | ESD diode to GND and supply rail |
| 3 | 1.8-V LVCMOS I/O buffer with 24-mA drive | V _{cc18} | ESD diode to GND and supply rail |
| 4 | 1.8-V sub-LVDS output with 4-mA drive | V _{cc18} | ESD diode to GND and supply rail |
| 5 | 1.8-V, 2.5-V, 3.3-V LVCMOS with 4-mA drive | V _{cc_INTF} | ESD diode to GND and supply rail |
| 6 | 1.8-V LVCMOS input | V _{cc18} | ESD diode to GND and supply rail |
| 7 | 1.8-V, 2.5-V, 3.3-V I ² C with 3-mA drive | V _{cc_INTF} | ESD diode to GND and supply rail |
| 8 | 1.8-V I ² C with 3-mA drive | V _{cc18} | ESD diode to GND and supply rail |
| 9 | 1.8-V, 2.5-V, 3.3-V LVCMOS with 8-mA drive | V _{cc_INTF} | ESD diode to GND and supply rail |
| 10 | Reserved | | |

表 5-10. I/O Type Subscript Definition (continued)

| I/O | | SUPPLY REFERENCE | ESD STRUCTURE |
|-----------|--|------------------|----------------------------------|
| SUBSCRIPT | DESCRIPTION | | |
| 11 | 1.8-V, 2.5-V, 3.3-V LVCMOS input | V_{cc_INTF} | ESD diode to GND and supply rail |
| 12 | 1.8-V, 2.5-V, 3.3-V LVCMOS input | V_{cc_FLSH} | ESD diode to GND and supply rail |
| 13 | 1.8-V, 2.5-V, 3.3-V LVCMOS with 8-mA drive | V_{cc_FLSH} | ESD diode to GND and supply rail |

6 Specifications

6.1 Absolute Maximum Ratings

over operating free-air temperature (unless otherwise noted) ⁽¹⁾

| | | MIN | MAX | UNIT |
|--|--------------------------------|-------|--------------------|------|
| SUPPLY VOLTAGE ⁽²⁾ | | | | |
| V _(VDD) | | - 0.3 | 1.21 | V |
| V _(VDDL P12) | | - 0.3 | 1.32 | V |
| V _(VCC18) | | - 0.3 | 1.96 | V |
| DMD Sub-LVDS Interface (DMD_HS_CLK_x and DMD_HS_WDATA_x_y) | | - 0.3 | 1.96 | V |
| V _(VCC_INTF) | | - 0.3 | 3.60 | V |
| V _(VCC_FLSH) | | - 0.3 | 3.60 | V |
| V _(VDD_PLLM) (MCG PLL) | | - 0.3 | 1.21 | V |
| V _(VDD_PLLD) (DCG PLL) | | - 0.3 | 1.21 | V |
| V _{I2C} buffer (I/O type 7) | | - 0.3 | See ⁽³⁾ | V |
| GENERAL | | | | |
| T _J | Operating junction temperature | - 30 | 125 | °C |
| T _{stg} | Storage temperature | - 40 | 125 | °C |

- (1) Stresses beyond those listed under [¶ 6.1](#) may cause permanent damage to the device. These are stress ratings only, which do not imply functional operation of the device at these or any other conditions beyond those indicated under [¶ 6.3](#). Exposure to absolute-maximum-rated conditions for extended periods may affect device reliability.
- (2) All voltage values are with respect to VSS (GND).
- (3) I/O is high voltage tolerant; that is, if VCC_INTF = 1.8 V, the input is 3.3-V tolerant, and if VCC_INTF = 3.3 V, the input is 5-V tolerant.

6.2 ESD Ratings

| | | | VALUE | UNIT |
|--------------------|-------------------------|--|-------|------|
| V _(ESD) | Electrostatic discharge | Human body model (HBM), per ANSI/ESDA/JEDEC JS-001, all pins ⁽¹⁾ | ±2000 | V |
| | | Charged device model (CDM), per JEDEC specification JESD22-C101, all pins ⁽²⁾ | ±500 | |

- (1) JEDEC document JEP155 states that 500-V HBM allows safe manufacturing with a standard ESD control process.
- (2) JEDEC document JEP157 states that 250-V CDM allows safe manufacturing with a standard ESD control process.

6.3 Recommended Operating Conditions

over operating free-air temperature range (unless otherwise noted)

| | | MIN | NOM | MAX | UNIT | |
|-------------------------|--|---------|-------|-------|-------|----|
| V _(VDD) | Core power 1.1 V (main 1.1 V) | 1.045 | 1.10 | 1.155 | V | |
| V _(VDDL12) | Unused | 1.045 | 1.10 | 1.155 | V | |
| V _(VCC18) | All 1.8-V I/O power: (1.8-V power supply for all I/O pins except the host or parallel interface and the SPI flash interface. This includes RESETZ, PARKZ LED_SEL, CMP_OUT, GPIO, IIC1, TSTPT, and JTAG pins.) | 1.64 | 1.80 | 1.96 | V | |
| V _(VCC_INTF) | Host or parallel interface I/O power: 1.8 to 3.3 V (includes IIC0, PDATA, video syncs, and HOST_IRQ pins) | See (1) | 1.64 | 1.80 | 1.96 | V |
| | | | 2.28 | 2.50 | 2.72 | |
| | | | 3.02 | 3.30 | 3.58 | |
| V _(VCC_FLSH) | Flash interface I/O power: 1.8 V to 3.3 V | See (1) | 1.64 | 1.80 | 1.96 | V |
| | | | 2.28 | 2.50 | 2.72 | |
| | | | 3.02 | 3.30 | 3.58 | |
| V _(VDD_PLLM) | MCG PLL 1.1-V power | See (2) | 1.025 | 1.100 | 1.155 | V |
| V _(VDD_PLLD) | DCG PLL 1.1-V power | See (2) | 1.025 | 1.100 | 1.155 | V |
| T _A | Operating ambient temperature ⁽³⁾ | | | | 85 | °C |
| T _J | Operating junction temperature | | | | 105 | °C |

(1) These supplies have multiple valid ranges.

(2) The minimum voltage is lower than other 1.1-V supply minimum to enable additional filtering. This filtering may result in an IR drop across the filter.

(3) The operating ambient temperature range assumes 0 forced air flow, a JEDEC JESD51 junction-to-ambient thermal resistance value at 0 forced air flow ($R_{\theta JA}$ at 0 m/s), a JEDEC JESD51 standard test card and environment, along with minimum and maximum estimated power dissipation across process, voltage, and temperature. Thermal conditions vary by application, and this affects $R_{\theta JA}$. Thus, maximum operating ambient temperature varies by application.

$$\bullet T_{a_min} = T_{j_min} - (P_{d_min} \times R_{\theta JA}) = -30^{\circ}\text{C} - (0.0 \text{ W} \times 28.8^{\circ}\text{C/W}) = -30^{\circ}\text{C}$$

$$\bullet T_{a_max} = T_{j_max} - (P_{d_max} \times R_{\theta JA}) = +105^{\circ}\text{C} - (0.348 \text{ W} \times 28.8^{\circ}\text{C/W}) = +95.0^{\circ}\text{C}$$

6.4 Thermal Information

| THERMAL METRIC ⁽¹⁾ | | DLPC3478 controller | | UNIT |
|-------------------------------|---|---|--|------|
| | | ZEZ (NFBGA) | | |
| | | 201 PINS | | |
| R _{θJC} | Junction-to-case thermal resistance | 10.1 | | °C/W |
| R _{θJA} | Junction-to-air thermal resistance | at 0 m/s of forced airflow ⁽²⁾ | | °C/W |
| | | at 1 m/s of forced airflow ⁽²⁾ | | |
| | | at 2 m/s of forced airflow ⁽²⁾ | | |
| ψ _{JT} | Temperature variance from junction to package top center temperature, per unit power dissipation ⁽³⁾ | 0.23 | | °C/W |

(1) For more information about traditional and new thermal metrics, see the *IC Package Thermal Metrics* application report, [SPRA953](#).

(2) Thermal coefficients abide by JEDEC Standard 51. $R_{\theta JA}$ is the thermal resistance of the package as measured using a JEDEC defined standard test PCB. This JEDEC test PCB is not necessarily representative of the DLPC34xx controller PCB and thus the reported thermal resistance may not be accurate in the actual product application. Although the actual thermal resistance may be different, it is the best information available during the design phase to estimate thermal performance.

(3) Example: $(0.5 \text{ W}) \times (0.2^{\circ}\text{C/W}) \approx 0.1^{\circ}\text{C}$ temperature rise.

6.5 Power Electrical Characteristics

over operating free-air temperature range (unless otherwise noted)

| PARAMETER ⁽³⁾ (4) (5) | TEST CONDITIONS | MIN | TYP ⁽¹⁾ | MAX ⁽²⁾ | UNIT |
|---|---|--------------------|--------------------|--------------------|------|
| $I_{(VDD)}$ + $I_{(VDD_PLL)}$ + $I_{(VDD_PLL)}$ | 1.1-V rails | | | | mA |
| | Frame rate = 60 Hz | | 168 | 278 | |
| | Frame rate = 120 Hz | | 211 | 362 | |
| $I_{(VDD_PLL)}$ | MCG PLL 1.1V ⁽⁶⁾ | | | | mA |
| | Frame rate = 60 Hz | | 6 | | |
| | Frame rate = 120 Hz | | 6 | | |
| $I_{(VDD_PLL)}$ | DCG PLL 1.1V ⁽⁶⁾ | | | | mA |
| | Frame rate = 60 Hz | | 6 | | |
| | Frame rate = 120 Hz | | 6 | | |
| $I_{(VCC18)}$ | All 1.8-V I/O current: (1.8-V power supply for all I/O other than the host or parallel interface and the SPI flash interface) | | | | mA |
| | | Frame rate = 60 Hz | | 35 | |
| | Frame rate = 120 Hz | | 35 | 48 | |
| $I_{(VCC_INTF)}$ | Host or parallel interface I/O current: 1.8 to 3.3 V (includes IIC0, PDATA, video syncs, and HOST_IRQ pins) ⁽⁶⁾ | | | | mA |
| | | Frame rate = 60 Hz | | 2 | |
| | Frame rate = 120 Hz | | 2 | | |
| $I_{(VCC_FLSH)}$ | Flash interface I/O current: 1.8 to 3.3 V ⁽⁶⁾ | | | | mA |
| | | Frame rate = 60 Hz | | 1 | |
| | Frame rate = 120 Hz | | 1 | | |

- (1) Assumes nominal process, voltage, and temperature (25°C nominal ambient) with nominal input images.
- (2) Assumes worst case process, maximum voltage, and high nominal ambient temperature of 65°C with worst case input image.
- (3) Values assume all pins using 1.1 V are tied together (including VDDL12), and programmable host and flash I/O are at the minimum nominal voltage (that is 1.8 V).
- (4) Input image is 1280 × 720 (HD) 24 bits using VESA reduced blanking v2 timings on the parallel interface at the frame rate shown with the 0.3-in 720p (DLP3010LC) DMD. The controller has the CAIC and LABB algorithms turned off.
- (5) The values do not take into account software updates or customer changes that may affect power performance.
- (6) This rail was not measured due to board limitations. Simulation values are used instead. Simulations assume 12.5% activity factor, 30% clock gating on appropriate domains, and mixed SVT (standard threshold voltage) or HVT (high threshold voltage) cells.

6.6 Pin Electrical Characteristics

over operating free-air temperature range (unless otherwise noted)

| PARAMETER ⁽³⁾ | | TEST CONDITIONS ⁽⁴⁾ | MIN | TYP | MAX | UNIT |
|--------------------------|------------------------------------|---|------------------|------|----------------|---------|
| V _{IH} | High-level input threshold voltage | I ² C buffer (I/O type 7) | | | 0.7 × VCC_INTF | See (1) |
| | | I/O type 1, 2, 3, 6, 8 except pins noted in (2) | VCC18 = 1.8 V | 1.17 | 3.6 | V |
| | | I/O type 1, 6 for pins noted in (2) | VCC18 = 1.8 V | 1.3 | 3.6 | |
| | | I/O type 5, 9, 11 | VCC_INTF = 1.8 V | 1.17 | 3.6 | |
| | | I/O type 12, 13 | VCC_FLSH = 1.8 V | 1.17 | 3.6 | |
| | | I/O type 5, 9, 11 | VCC_INTF = 2.5 V | 1.7 | 3.6 | |
| | | I/O type 12, 13 | VCC_FLSH = 2.5 V | 1.7 | 3.6 | |
| | | I/O type 5, 9, 11 | VCC_INTF = 3.3 V | 2.0 | 3.6 | |
| I/O type 12, 13 | VCC_FLSH = 3.3 V | 2.0 | 3.6 | | | |
| V _{IL} | Low-level input threshold voltage | I ² C buffer (I/O type 7) | | -0.5 | 0.3 × VCC_INTF | V |
| | | I/O type 1, 2, 3, 6, 8 except pins noted in (2) | VCC18 = 1.8 V | -0.3 | 0.63 | |
| | | I/O type 1, 6 for pins noted in (2) | VCC18 = 1.8 V | -0.3 | 0.5 | |
| | | I/O type 5, 9, 11 | VCC_INTF = 1.8 V | -0.3 | 0.63 | |
| | | I/O type 12, 13 | VCC_FLSH = 1.8 V | -0.3 | 0.63 | |
| | | I/O type 5, 9, 11 | VCC_INTF = 2.5 V | -0.3 | 0.7 | |
| | | I/O type 12, 13 | VCC_FLSH = 2.5 V | -0.3 | 0.7 | |
| | | I/O type 5, 9, 11 | VCC_INTF = 3.3 V | -0.3 | 0.8 | |
| I/O type 12, 13 | VCC_FLSH = 3.3 V | -0.3 | 0.8 | | | |
| V _{OH} | High-level output voltage | I/O type 1, 2, 3, 6, 8 | VCC18 = 1.8 V | 1.35 | | V |
| | | I/O type 5, 9, 11 | VCC_INTF = 1.8 V | 1.35 | | |
| | | I/O type 12, 13 | VCC_FLSH = 1.8 V | 1.35 | | |
| | | I/O type 5, 9, 11 | VCC_INTF = 2.5 V | 1.7 | | |
| | | I/O type 12, 13 | VCC_FLSH = 2.5 V | 1.7 | | |
| | | I/O type 5, 9, 11 | VCC_INTF = 3.3 V | 2.4 | | |
| I/O type 12, 13 | VCC_FLSH = 3.3 V | 2.4 | | | | |
| V _{OL} | Low-level output voltage | I ² C buffer (I/O type 7) | VCC_INTF > 2 V | | 0.4 | V |
| | | I ² C buffer (I/O type 7) | VCC_INTF < 2 V | | 0.2 × VCC_INTF | |
| | | I/O type 1, 2, 3, 6, 8 | VCC18 = 1.8 V | | 0.45 | |
| | | I/O Type 5, 9, 11 | VCC_INTF = 1.8 V | | 0.45 | |
| | | I/O Type 12, 13 | VCC_FLSH = 1.8 V | | 0.45 | |
| | | I/O Type 5, 9, 11 | VCC_INTF = 2.5 V | | 0.7 | |
| | | I/O Type 12, 13 | VCC_FLSH = 2.5 V | | 0.7 | |
| | | I/O Type 5, 9, 11 | VCC_INTF = 3.3 V | | 0.4 | |
| I/O Type 12, 13 | VCC_FLSH = 3.3 V | | 0.4 | | | |

6.6 Pin Electrical Characteristics (continued)

over operating free-air temperature range (unless otherwise noted)

| PARAMETER ⁽³⁾ | | TEST CONDITIONS ⁽⁴⁾ | MIN | TYP | MAX | UNIT | |
|--------------------------|--|--------------------------------------|--|------|-----|------|----|
| I _{OH} | High-level output current ⁽⁵⁾ | I/O type 2, 4 | VCC18 = 1.8 V | 2 | | mA | |
| | | I/O type 5 | VCC_INTF = 1.8 V | 2 | | | |
| | | I/O type 1 | VCC18 = 1.8 V | 3.5 | | | |
| | | I/O type 9 | VCC_INTF = 1.8 V | 3.5 | | | |
| | | I/O type 13 | VCC_FLSH = 1.8 V | 3.5 | | | |
| | | I/O type 3 | VCC18 = 1.8 V | 10.6 | | | |
| | | I/O type 5 | VCC_INTF = 2.5 V | 5.4 | | | |
| | | I/O type 9, 13 | VCC_INTF = 2.5V | 10.8 | | | |
| | | I/O type 13 | VCC_FLSH = 2.5 V | 10.8 | | | |
| | | I/O type 5 | VCC_INTF = 3.3 V | 7.8 | | | |
| | | I/O type 9 | VCC_INTF = 3.3 V | 15 | | | |
| | | I/O type 13 | VCC_FLSH = 3.3 V | 15 | | | |
| I _{OL} | Low-level output current ⁽⁶⁾ | I ² C buffer (I/O type 7) | | 3 | | mA | |
| | | I/O type 2, 4 | VCC18 = 1.8 V | 2.3 | | | |
| | | I/O type 5 | VCC_INTF = 1.8 V | 2.3 | | | |
| | | I/O type 1 | VCC18 = 1.8 V | 4.6 | | | |
| | | I/O type 9 | VCC_INTF = 1.8 V | 4.6 | | | |
| | | I/O type 13 | VCC_FLSH = 1.8 V | 4.6 | | | |
| | | I/O type 3 | VCC18 = 1.8 V | 13.9 | | | |
| | | I/O type 5 | VCC_INTF = 2.5 V | 5.2 | | | |
| | | I/O type 9 | VCC_INTF = 2.5 V | 10.4 | | | |
| | | I/O type 13 | VCC_FLSH = 2.5 V | 10.4 | | | |
| | | I/O type 5 | VCC_INTF = 3.3 V | 4.4 | | | |
| | | I/O type 9 | VCC_INTF = 3.3 V | 8.9 | | | |
| | | I/O type 13 | VCC_FLSH = 3.3 V | 8.9 | | | |
| I _{oz} | High-impedance leakage current | I ² C buffer (I/O type 7) | V _{I²C buffer} < 0.1 × VCC_INTF or V _{I²C buffer} > 0.9 × VCC_INTF | - 10 | | 10 | μA |
| | | I/O type 1, 2, 3, 6, 8, | VCC18 = 1.8 V | - 10 | | 10 | |
| | | I/O Type 5, 9, 11 | VCC_INTF = 1.8 V | - 10 | | 10 | |
| | | I/O Type 12, 13 | VCC_FLSH = 1.8 V | - 10 | | 10 | |
| | | I/O type 5, 9, 11 | VCC_INTF = 2.5 V | - 10 | | 10 | |
| | | I/O Type 12, 13 | VCC_FLSH = 2.5 V | - 10 | | 10 | |
| | | I/O Type 5, 9, 11 | VCC_INTF = 3.3 V | - 10 | | 10 | |
| | | I/O type 12, 13 | VCC_FLSH = 3.3 V | - 10 | | 10 | |

6.6 Pin Electrical Characteristics (continued)

over operating free-air temperature range (unless otherwise noted)

| PARAMETER ⁽³⁾ | | TEST CONDITIONS ⁽⁴⁾ | MIN | TYP | MAX | UNIT |
|--------------------------|---------------------------------------|--|------------------|-----|-----|------|
| C _i | Input capacitance (including package) | I ² C buffer (I/O type 7) | | | | 5 |
| | | I/O type 1, 2, 3, 6, 8 | VCC18 = 1.8 V | 2.6 | | 3.5 |
| | | I/O Type 5, 9, 11 | VCC_INTF = 1.8 V | 2.6 | | 3.5 |
| | | I/O Type 12, 13 | VCC_FLSH = 1.8 V | 2.6 | | 3.5 |
| | | I/O type 5, 9, 11 | VCC_INTF = 2.5 V | 2.6 | | 3.5 |
| | | I/O type 12, 13 | VCC_FLSH = 2.5 V | 2.6 | | 3.5 |
| | | I/O type 5, 9, 11 | VCC_INTF = 3.3 V | 2.6 | | 3.5 |
| | | I/O type 12, 13 | VCC_FLSH = 3.3 V | 2.6 | | 3.5 |
| | | sub-LVDS - DMD high speed (I/O type 4) | VCC18 = 1.8 V | | | |

- (1) I/O is high voltage tolerant; that is, if VCC_INTF = 1.8 V, the input is 3.3-V tolerant, and if VCC_INTF = 3.3 V, the input is 5-V tolerant.
- (2) Controller pins CMP_OUT, PARKZ, RESETZ, and GPIO_00 through GPIO_19 have slightly varied V_{IH} and V_{IL} range from other 1.8-V I/O.
- (3) The I/O type refers to the type defined in [表 5-10](#).
- (4) Test conditions that define a value for VCC18, VCC_INTF, or VCC_FLSH show the nominal voltage that the specified I/O's supply reference is set to.
- (5) At a high level output signal, the given I/O will be able to output at least the minimum current specified.
- (6) At a low level output signal, the given I/O will be able to sink at least the minimum current specified.

6.7 Internal Pullup and Pulldown Electrical Characteristics

over operating free-air temperature (unless otherwise noted) ⁽²⁾

| INTERNAL PULLUP AND PULLDOWN RESISTOR CHARACTERISTICS | TEST CONDITIONS ⁽¹⁾ | MIN | MAX | UNIT |
|---|--------------------------------|-----|-----|------------|
| Weak pullup resistance | VCCIO = 3.3 V | 29 | 63 | k Ω |
| | VCCIO = 2.5 V | 38 | 90 | k Ω |
| | VCCIO = 1.8 V | 56 | 148 | k Ω |
| Weak pulldown resistance | VCCIO = 3.3 V | 30 | 72 | k Ω |
| | VCCIO = 2.5 V | 36 | 101 | k Ω |
| | VCCIO = 1.8 V | 52 | 167 | k Ω |

- (1) The resistance is dependent on VCCIO, the pin's supply reference (see a given pins supply reference in [表 5-10](#)).
- (2) An external 8-k Ω pullup or pulldown (if needed) would work for any voltage condition to correctly pull enough to override any associated internal pullups or pulldowns.

6.8 DMD Sub-LVDS Interface Electrical Characteristics

over operating free-air temperature range (unless otherwise noted)

| PARAMETER | TEST CONDITIONS | MIN | TYP | MAX | UNIT |
|----------------------------|---|-------|-------|-------|----------|
| V_{CM} | Common mode voltage | 0.8 | 0.9 | 1.0 | V |
| $V_{CM} (\Delta pp)^{(1)}$ | V_{CM} change peak-to-peak (during switching) | | | 75 | mV |
| $V_{CM} (\Delta ss)^{(1)}$ | V_{CM} change steady state | - 10 | | 10 | mV |
| $ V_{OD} ^{(2)}$ | Differential output voltage magnitude | 170 | 250 | 350 | mV |
| $V_{OD} (\Delta)$ | V_{OD} change (between logic states) | - 10 | | 10 | mV |
| V_{OH} | Single-ended output voltage high | 0.825 | 1.025 | 1.175 | V |
| V_{OL} | Single-ended output voltage low | 0.625 | 0.775 | 0.975 | V |
| T_{Xterm} | Internal differential termination | 80 | 100 | 120 | Ω |
| T_{Xload} | 100- Ω differential PCB trace (50- Ω transmission lines) | 0.5 | | 6 | inches |

- See [图 6-1](#)
- V_{OD} is the differential voltage measured across a 100- Ω termination resistance connected directly between the transmitter differential pins. $V_{OD} = V_P - V_N$, where P and N are the differential output pins. $|V_{OD}|$ is the magnitude of the peak-to-peak voltage swing across the P and N output pins (see [图 6-2](#)). V_{CM} cancels out between signals when measured differentially, thus the reason V_{OD} swings relative to zero.

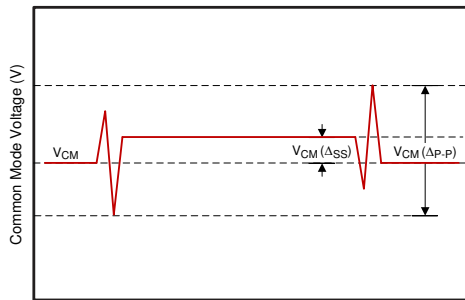
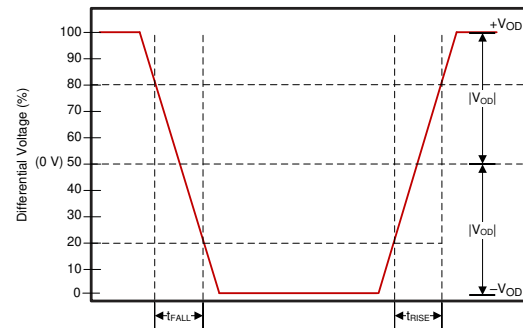


图 6-1. Common Mode Voltage



V_{CM} is removed when the signals are viewed differentially

图 6-2. Differential Output Signal

6.9 DMD Low-Speed Interface Electrical Characteristics

over operating free-air temperature range (unless otherwise noted)

| PARAMETER ⁽³⁾ | TEST CONDITIONS | MIN | TYP | MAX | UNIT | |
|-----------------------------|--|--|-----|-----------------------|------|------|
| $V_{OH(DC)}$ | DC output high voltage for DMD_LS_WDATA and DMD_LS_CLK | $0.7 \times V_{CC18}$ | | | V | |
| $V_{OL(DC)}$ | DC output low voltage for DMD_LS_WDATA and DMD_LS_CLK | | | $0.3 \times V_{CC18}$ | V | |
| $V_{OH(AC)}$ ⁽¹⁾ | AC output high voltage for DMD_LS_WDATA and DMD_LS_CLK | $0.8 \times V_{CC18}$ | | $V_{CC18} + 0.5$ | V | |
| $V_{OL(AC)}$ ⁽²⁾ | AC output low voltage for DMD_LS_WDATA and DMD_LS_CLK | -0.5 | | $0.2 \times V_{CC18}$ | V | |
| Slew rate | DMD_LS_WDATA and DMD_LS_CLK | $V_{OL(DC)}$ to $V_{OH(AC)}$ for rising edge and $V_{OH(DC)}$ to $V_{OL(AC)}$ for falling edge | | 1.0 | 3.0 | V/ns |
| | DMD_DEN_ARSTZ | $V_{OL(AC)}$ to $V_{OH(AC)}$ for rising edge | | 0.25 | | |
| | DMD_LS_RDATA | | | 0.5 | | |

- $V_{OH(AC)}$ maximum applies to overshoot. When the DMD_LS_WDATA and DMD_LS_CLK lines include a proper 43- Ω series termination resistor, the DMD operates within the LPSDR input AC specifications.
- $V_{OL(AC)}$ minimum applies to undershoot. When the DMD_LS_WDATA and DMD_LS_CLK lines include a proper 43- Ω series termination resistor, the DMD operates within the LPSDR input AC specifications.
- See [Figure 6-3](#) for DMD_LS_CLK, and DMD_LS_WDATA rise and fall times. See [Figure 6-4](#) for DMD_DEN_ARSTZ rise and fall times.

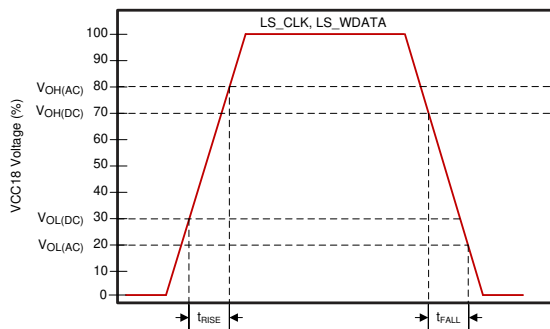


图 6-3. LS_CLK and LS_WDATA Slew Rate

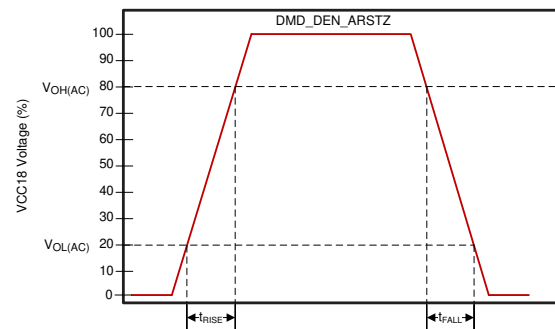


图 6-4. DMD_DEN_ARSTZ Slew Rate

6.10 System Oscillator Timing Requirements

| | | | MIN | NOM | MAX | UNIT |
|------------|--|---|--------|--------|--------|------|
| f_{clk} | Clock frequency, MOSC (master oscillator clock) ⁽¹⁾ | | 23.998 | 24.000 | 24.002 | MHz |
| t_c | Cycle time, MOSC (clock period) ⁽¹⁾ | See 图 6-5 | 41.663 | 41.667 | 41.670 | ns |
| $t_{w(H)}$ | Pulse duration as percent of t_c ⁽²⁾ , MOSC, high | 50% to 50% reference points (signal) | 40% | 50% | | |
| $t_{w(L)}$ | Pulse duration as percent of t_c ⁽²⁾ , MOSC, low | 50% to 50% reference points (signal) | 40% | 50% | | |
| t_t | Transition time ⁽²⁾ , MOSC | 20% to 80% reference points (rising signal) 80% to 20% reference points (falling signal) | | | 10 | ns |
| t_{jp} | Long-term, peak-to-peak, period jitter ⁽²⁾ , MOSC (that is the deviation in period from ideal period due solely to high frequency jitter) | | | | 2% | |

- (1) The frequency accuracy for MOSC is ± 200 PPM. (This includes impact to accuracy due to aging, temperature, and trim sensitivity.) The MOSC input does not support spread spectrum clock spreading.
- (2) Applies only when driven by an external digital oscillator.

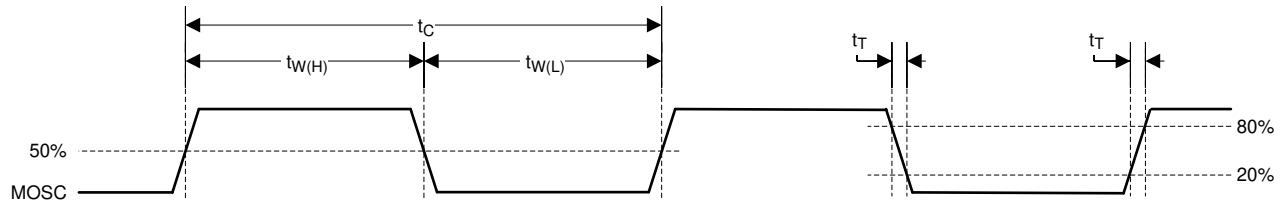


图 6-5. System Oscillators

6.11 Power Supply and Reset Timing Requirements

| | | | MIN | MAX | UNIT |
|------------|--|--------------------------------------|------|-----|---------|
| $t_{w(L)}$ | Pulse duration, active low, RESETZ | 50% to 50% reference points (signal) | 1.25 | | μ s |
| t_r | Rise time, RESETZ ⁽¹⁾ | 20% to 80% reference points (signal) | | 0.5 | μ s |
| t_f | Fall time, RESETZ ⁽¹⁾ | 80% to 20% reference points (signal) | | 0.5 | μ s |
| t_{rise} | Rise time, VDD (during VDD ramp up at turn-on) | 0.3 V to 1.045 V (VDD) | | 1 | ms |

- (1) For more information on RESETZ, see 节 5.

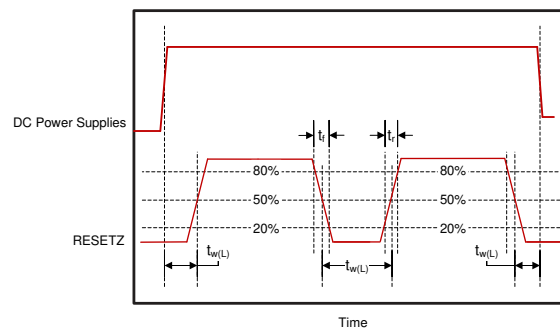


图 6-6. Power-Up and Power-Down RESETZ Timing

6.12 Parallel Interface Frame Timing Requirements

See for additional information

| | | | MIN | MAX | UNIT |
|--------------|--|----------------------|---------|-----|-------|
| t_{p_vsw} | Pulse duration - default VSYNC_WE high | 50% reference points | 1 | | lines |
| t_{p_vbp} | Vertical back porch (VBP) - time from the active edge of VSYNC_WE to the active edge of HSYNC_CS for the first active line ⁽¹⁾ | 50% reference points | 2 | | lines |
| t_{p_vfp} | Vertical front porch (VFP) - time from the active edge of the HSYNC_CS following the last active line in a frame to the active edge of VSYNC_WE ⁽¹⁾ | 50% reference points | 1 | | lines |
| t_{p_tvb} | Total vertical blanking - the sum of VBP and VFP ($t_{p_vbp} + t_{p_vfp}$) | 50% reference points | See (1) | | lines |
| t_{p_hsw} | Pulse duration - default HSYNC_CS high | 50% reference points | 4 | 128 | PCLKs |
| t_{p_hbp} | Horizontal back porch (HBP) - time from the active edge of HSYNC_CS to the rising edge of DATAEN_CMD | 50% reference points | 4 | | PCLKs |
| t_{p_hfp} | Horizontal front porch (HFP) - time from the falling edge of DATAEN_CMD to the active edge of HSYNC_CS | 50% reference points | 8 | | PCLKs |

(1) The minimum total vertical blanking is defined by the following equation: $t_{p_tvb}(\min) = 6 + [8 \times \text{Max}(1, \text{Source_ALPF} / \text{DMD_ALPF})]$ lines where:

- SOURCE_ALPF = Input source active lines per frame
- DMD_ALPF = Actual DMD used lines per frame supported

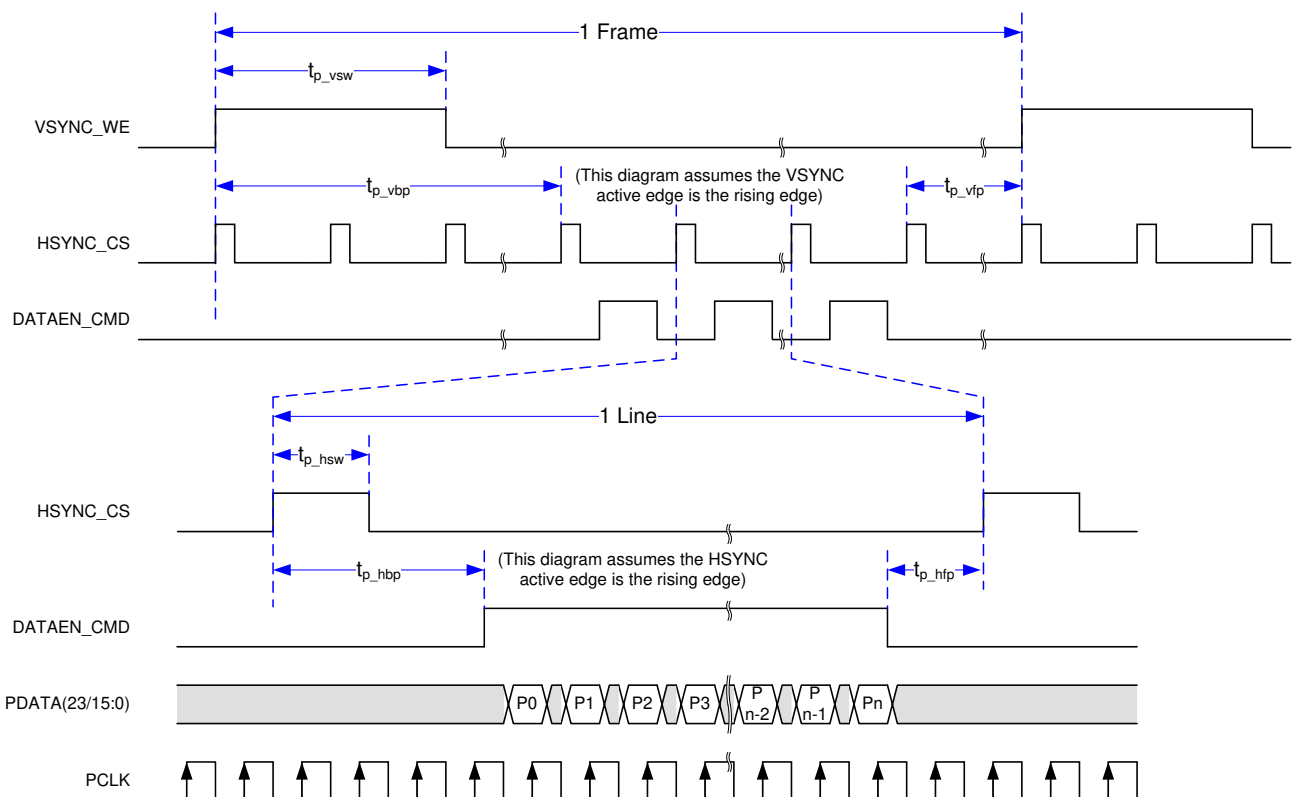


图 6-7. Parallel Interface Frame Timing

6.13 Parallel Interface General Timing Requirements

| | | | MIN | MAX | UNIT |
|-------------------------|---|---|---------|-------|------|
| f_{clock} | PCLK frequency | | 1.0 | 155.0 | MHz |
| $t_{\text{p_clkper}}$ | PCLK period | 50% reference points | 6.45 | 1000 | ns |
| $t_{\text{p_clkjit}}$ | PCLK jitter | Max f_{clock} | see (1) | | |
| $t_{\text{p_wh}}$ | PCLK pulse duration high | 50% reference points | 2.43 | | ns |
| $t_{\text{p_wl}}$ | PCLK pulse duration low | 50% reference points | 2.43 | | ns |
| $t_{\text{p_su}}$ | Setup time – HSYNC_CS, DATAEN_CMD, PDATA(23:0) valid before the active edge of PCLK | 50% reference points | 0.9 | | ns |
| $t_{\text{p_h}}$ | Hold time – HSYNC_CS, DATAEN_CMD, PDATA(23:0) valid after the active edge of PCLK | 50% reference points | 0.9 | | ns |
| t_t | Transition time – all signals | 20% to 80% reference points (rising signal) 80% to 20% reference points (falling signal) | 0.2 | 2.0 | ns |
| $t_{\text{setup, 3DR}}$ | This is the setup time with respect to VSYNC(2) | 50% reference points | 1.0 | | ms |
| $t_{\text{hold, 3DR}}$ | This is the hold time with respect VSYNC(3) | 50% reference points | 1.0 | | ms |

- (1) Calculate clock jitter (in ns) using this formula: $\text{Jitter} = [1 / f_{\text{clock}} - 5.76 \text{ ns}]$. Setup and hold times must be met even with clock jitter.
- (2) In other words, the 3DR signal must change at least 1.0 ms before VSYNC changes
- (3) In other words, the 3DR signal must not change for at least 1.0 ms after VSYNC changes

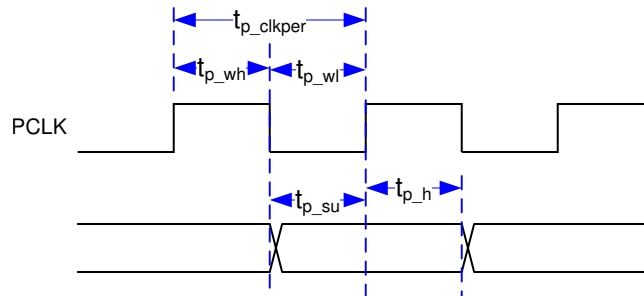


图 6-8. Parallel Interface Pixel Timing

6.14 BT656 Interface General Timing Requirements

The DLPC34xx controller input interface supports the industry standard BT.656 parallel video interface. See the appropriate ITU-R BT.656 specification for detailed interface timing requirements. (2)

| | | MIN | MAX | UNIT |
|-----------------|--|---|---------|---------|
| f_{cll} | PCLK frequency | 1.0 | 33.5 | MHz |
| t_{p_clkper} | PCLK period | 50% reference points | 29.85 | 1000 ns |
| t_{p_clkjit} | PCLK jitter | Max f_{clock} | See (1) | |
| t_{p_wh} | PCLK pulse duration high | 50% reference points | 10.0 | ns |
| t_{p_wl} | PCLK pulse duration low | 50% reference points | 10.0 | ns |
| t_{p_su} | Setup time – PDATA(7:0) before the active edge of PCLK | 50% reference points | 3.0 | ns |
| t_{p_h} | Hold time – PDATA(7:0) after the active edge of PCLK | 50% reference points | 0.9 | ns |
| t_t | Transition time – all signals | 20% to 80% reference points (rising signal) 80% to 20% reference points (falling signal) | 0.2 | 3.0 ns |

- Calculate clock jitter (in ns) using this formula: Jitter = $[1 / f_{clock} - 5.76 \text{ ns}]$. Clock jitter must maintain setup and hold times. BT.656 data bits must be mapped to the DLPC34xx PDATA bus as shown in [Figure 6-9](#) shows BT.656 bus mode YCbCr 4:2:2 source PDATA (23:0) mapping.
- The BT.656 interface accepts 8-bits per color, 4:2:2 YCbCr data encoded per the industry standard through PDATA(7:0) on the active edge of PCLK. See [Figure 6-9](#).

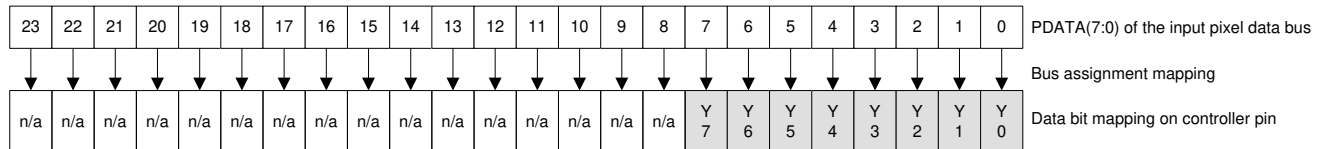


Figure 6-9. BT.656 Interface Mode Bit Mapping

6.15 Flash Interface Timing Requirements

The DLPC3478 flash memory interface consists of a SPI flash serial interface. The DLPC3478 can support 1- to 128-Mb flash memories. (2) (3) (4)

| | | | MIN | MAX | UNIT |
|------------------------|--|---|-------|------|------|
| f_{clock} | SPI_CLK frequency | See (1) | 1.4 | 36.0 | MHz |
| $t_{\text{p_clkper}}$ | SPI_CLK period | 50% reference points | 27.8 | 704 | ns |
| $t_{\text{p_wh}}$ | SPI_CLK pulse duration high | 50% reference points | 352 | | ns |
| $t_{\text{p_wl}}$ | SPI_CLK pulse duration low | 50% reference points | 352 | | ns |
| t_{t} | Transition time – all signals | 20% to 80% reference points (rising signal) 80% to 20% reference points (falling signal) | 0.2 | 3.0 | ns |
| $t_{\text{p_su}}$ | Setup time – SPI_DIN valid before SPI_CLK falling edge | 50% reference points | 10.0 | | ns |
| $t_{\text{p_h}}$ | Hold time – SPI_DIN valid after SPI_CLK falling edge | 50% reference points | 0.0 | | ns |
| $t_{\text{p_clqv}}$ | SPI_CLK clock falling edge to output valid time – SPI_DOUT and SPI_CSZ | 50% reference points | | 1.0 | ns |
| $t_{\text{p_clqx}}$ | SPI_CLK clock falling edge output hold time – SPI_DOUT and SPI_CSZ | 50% reference points | - 3.0 | 3.0 | ns |

- (1) This range include the ± 200 ppm of the external oscillator (but no jitter).
- (2) Standard SPI protocol is to transmit data on the falling edge of SPI_CLK and capture data on the rising edge. The DLPC3478 does transmit data on the falling edge, but it also captures data on the falling edge rather than the rising edge. This provides support for SPI devices with long clock-to-Q timing. DLPC3478 hold capture timing has been set to facilitate reliable operation with standard external SPI protocol devices.
- (3) With the above output timing, DLPC3478 provides the external SPI device 8.2-ns input set-up and 8.2-ns input hold, relative to the rising edge of SPI_CLK.
- (4) For additional requirements of the external flash device view the [# 7.3.4](#) section.

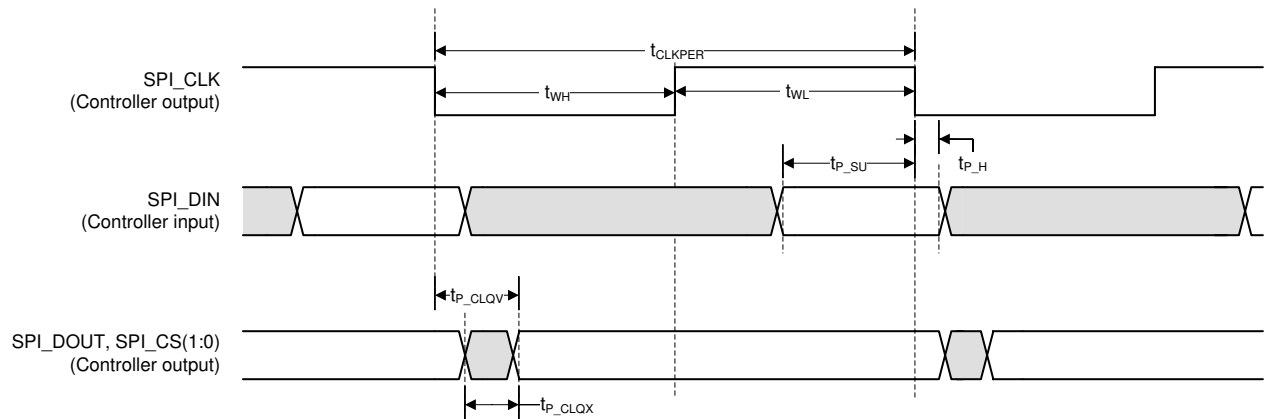


图 6-10. Flash Interface Timing

6.16 Other Timing Requirements

| | | MIN | MAX | UNIT |
|---|-----------------------------|-----|-----|------|
| t_{rise} , all(1) (2) | 20% to 80% reference points | | 10 | ns |
| t_{fall} , all(1) (2) | 80% to 20% reference points | | 10 | ns |
| t_{rise} , PARKZ(2) | 20% to 80% reference points | | 150 | ns |
| t_{fall} , PARKZ(2) | 80% to 20% reference points | | 150 | ns |
| t_{w} , GPIO_08 (normal park) pulse width(3) | | 200 | | ms |
| I ² C baud rate | | | 100 | kHz |

- (1) Unless noted elsewhere, the following signal transition times are for all DLPC34xx signals.

- (2) This is the recommended signal transition time to avoid input buffer oscillations.
 (3) The pulse width encompasses the minimum high time and the minimum low time for this signal.

6.17 DMD Sub-LVDS Interface Switching Characteristics

over operating free-air temperature range (unless otherwise noted)

| PARAMETER | | TEST CONDITIONS | MIN | TYP | MAX | UNIT |
|----------------------|--------------------------------|-----------------|-----|------|-----|------|
| t_R ⁽¹⁾ | Differential output rise time | | | | 250 | ps |
| t_F ⁽¹⁾ | Differential output fall time | | | | 250 | |
| t_{switch} | DMD HS Clock switching rate | | | 1200 | | Mbps |
| f_{clock} | DMD HS Clock frequency | | | 600 | | MHz |
| DCout | DMD HS Clock output duty cycle | | 45% | 50% | 55% | |

- (1) Rise and fall times are defined for the differential V_{OD} signal as shown in [图 6-2](#).

6.18 DMD Parking Switching Characteristics

See [\(2\)](#)

| PARAMETER | | TEST CONDITIONS | MIN | TYP | MAX | UNIT |
|------------------|---------------------------------|-----------------|-----|-----|-----|---------|
| t_{park} | Normal Park time ⁽¹⁾ | | | | 20 | ms |
| $t_{fast\ park}$ | Fast park time ⁽³⁾ | | | | 32 | μ s |

- (1) Normal park time is defined as how long it takes the DLPC34xx controller to complete the parking of the DMD after it receives the normal park request (GPIO_08 goes low).
 (2) The oscillator and power supplies must remain active for at least the duration of the park time. The power supplies must additionally be held on for a time after parking is completed to satisfy DMD requirements. See [节 9.2](#) and the appropriate DMD or PMIC datasheet for more information.
 (3) Fast park time is defined as how long it takes the DLPC34xx controller to complete the parking of the DMD after it receives the fast park request (PARKZ goes low).

6.19 Chipset Component Usage Specification

The DLPC3478 is a component of a DLP chipset. Reliable function and operation of the DLP chipset requires that it be used with all components (DMD, PMIC, and controller) of the applicable DLP chipset.

表 6-1. DLPC3478 Supported DMDs and PMICs

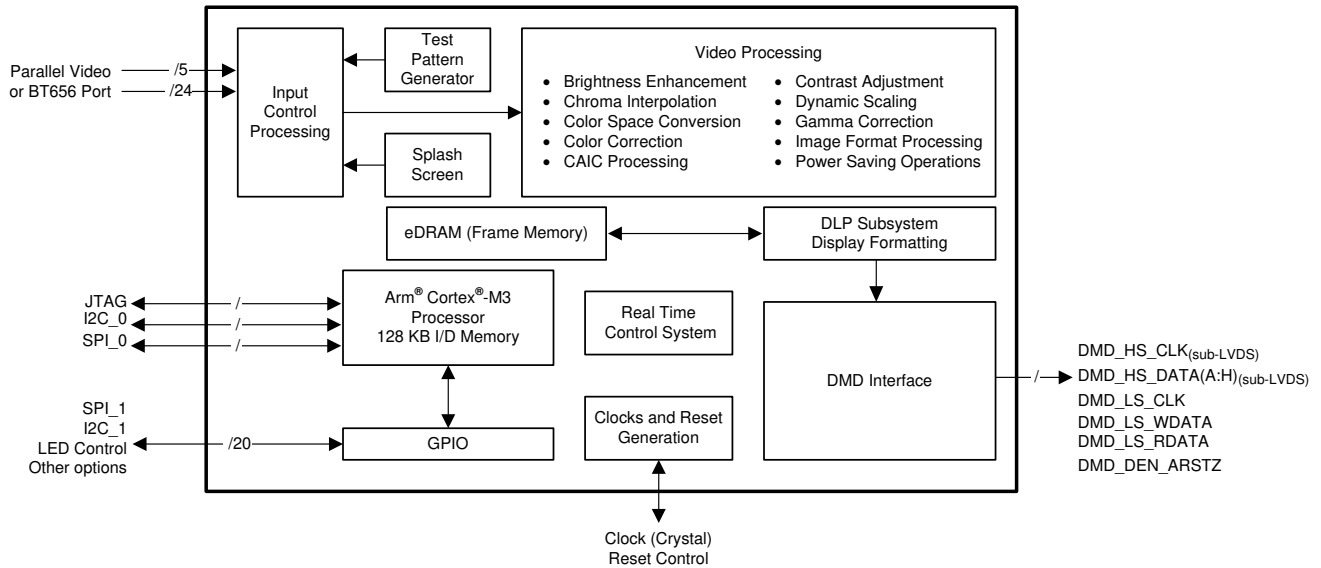
| DLPC3478 DLP Chipset | |
|----------------------|-----------|
| DMD | DLP3010LC |
| PMIC | DLPA2000 |
| | DLPA2005 |
| | DLPA3000 |
| | DLPA3005 |

7 Detailed Description

7.1 Overview

The DLPC3478 controller is part of the chipset that includes the DLP3010LC (0.3 inch 720p) DMD, and the DLPA200x or DLPA300x PMIC/LED driver. To ensure reliable operation of the DLP chipset, the DLPC3478 must always be used with the supported devices shown in [表 6-1](#).

7.2 Functional Block Diagram



7.3 Feature Description

7.3.1 Input Source

7.3.1.1 Supported Resolution and Frame Rates

表 7-1. Supported Input Source Ranges^{(2) (3) (4)}

| INTERFACE | Bits / Pixel ⁽⁵⁾ | IMAGE TYPE | SOURCE RESOLUTION RANGE ⁽⁷⁾ | | | | FRAME RATE RANGE |
|----------------------------|-----------------------------|------------|--|------------|------------|-------------|------------------------|
| | | | HORIZONTAL | | VERTICAL | | |
| | | | Landscape | Portrait | Landscape | Portrait | |
| Parallel | 24 max | 2D only | 320 to 1280 | 200 to 800 | 200 to 800 | 320 to 1280 | 10 to 122 Hz |
| Parallel | 24 max | 3D only | 320 to 1280 | 200 to 720 | 200 to 720 | 320 to 1280 | 100 ±2 Hz 120 ±2 Hz |
| BT.656-NTSC ⁽¹⁾ | See ⁽⁶⁾ | 2D only | 720 | n/a | 240 | n/a | 60 ±2 Hz |
| BT.656-PAL ⁽¹⁾ | See ⁽⁶⁾ | 2D only | 720 | n/a | 288 | n/a | 50 ±2 Hz |

- (1) All parameters in this row follow the BT.656 standard. The image format is always landscape.
- (2) The application must remain within specifications for all source interface parameters such as maximum clock rate and maximum line rate.
- (3) The maximum DMD size for all rows in the table is 1280 × 720.
- (4) To achieve the ranges stated, the firmware must support the source parameters. Review the firmware release notes or contact TI to determine the latest available frame rate and input resolution support for a given firmware image.
- (5) Bits per pixel does not necessarily equal the number of data pins used on the DLPC3478 controller.
- (6) BT.656 uses 16-bit 4:2:2 YCr/Cb.
- (7) By using an I2C command, portrait image inputs can be rotated on the DMD by minus 90 degrees so that the image is displayed in landscape format.

7.3.1.2 3D Display

For 3D sources on the video input interface, images must be frame sequential (L, R, L, ...) when input to the DLPC34xx controller. Any processing required to unpack 3D images and to convert them to frame sequential input must be done by external electronics prior to inputting the images to the controller. Each 3D source frame input must contain a single eye frame of data, separated by a VSYNC, where an eye frame contains image data for a single left or right eye. The signal 3DR input to the controller indicates whether the input frame is for the left eye or right eye.

Each DMD frame is displayed at the same rate as the input interface frame rate. [图 7-1](#) below shows the typical timing for a 50-Hz or 60-Hz 3D HDMI source frame, the input interface of the DLPC34xx controller, and the DMD. In general, video frames sent over the HDMI interface pack both the left and right content into the same video frame. GPIO_04 is optionally sent to a transmitter on the system PCB for wirelessly transmitting a synchronization signal to 3D glasses (usually an IR sync signal). The glasses are then in phase with the DMD images displayed. Alternately, the *3D Glasses Operation* section shows how DLP link pulses can be used instead.

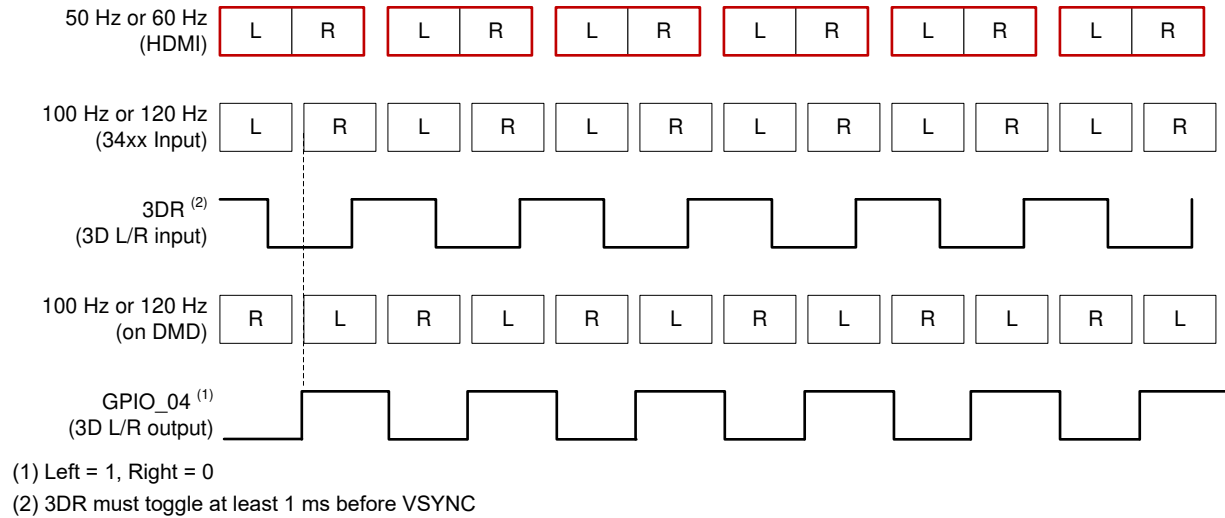


图 7-1. 3D Display Left and Right Frame Timing

7.3.1.3 Parallel Interface

The parallel interface complies with standard graphics interface protocol, which includes the signals listed in 表 7-2.

表 7-2. Parallel Interface Signals

| SIGNAL | DESCRIPTION |
|------------|-------------------------------|
| VSYNC_WE | vertical sync |
| HSYNC_CS | horizontal sync |
| DATAEN_CMD | data valid |
| PDATA | 24-bit data bus |
| PCLK | pixel clock |
| PDM_CVS_TE | parallel data mask (optional) |

Note

VSYNC_WE must remain active at all times when using parallel RGB mode. When this signal is no longer active, the display sequencer stops and causes the LEDs to turn off.

The active edge of both sync signals are variable. The *Parallel Interface Frame Timing Requirements* section shows the relationship of these signals.

An optional parallel data mask signal (PDM_CVS_TE) allows periodic frame updates to be stopped without losing the displayed image. When active, PDM_CVS_TE acts as a data mask and does not allow the source image to be propagated to the display. A programmable PDM polarity parameter determines if it is active high or active low. PDM_CVS_TE defaults to active high. To disable the data mask function, tie PDM_CVS_TE to a logic low signal. PDM_CVS_TE must only change during vertical blanking.

The parallel interface supports six data transfer formats. They are as follows:

- 24-bit RGB888 or 24-bit YCbCr888 on a 24 data wire interface
- 18-bit RGB666 or 18-bit YCbCr666 on an 18 data wire interface
- 16-bit RGB565 or 16-bit YCbCr565 on a 16 data wire interface
- 16-bit YCbCr 4:2:2 (standard sampling assumed to be Y0Cb0, Y1Cr0, Y2Cb2, Y3Cr2, Y4Cb4, Y5Cr4, ...)
- 8-bit RGB888 or 8-bit YCbCr888 serial (1 color per clock input; 3 clocks per displayed pixel) on an 8 data wire interface

- 8-bit YCbCr 4:2:2 serial (1 color per clock input; 2 clocks per displayed pixel) on an 8 data wire interface
- The [7.3.1.3.1](#) section shows the required PDATA(23:0) bus mapping for these six data transfer formats.

7.3.1.3.1 PDATA Bus - Parallel Interface Bit Mapping Modes

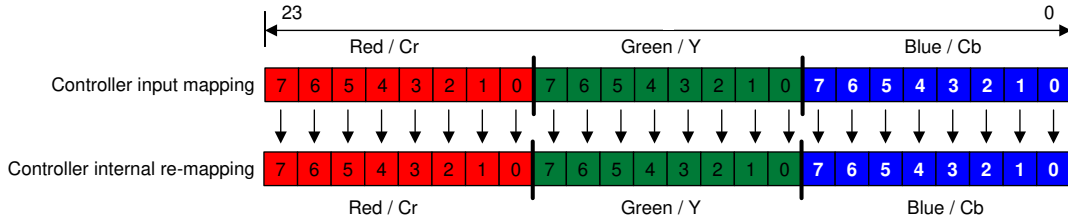


图 7-2. RGB-888 and YCbCr-888 I/O Mapping

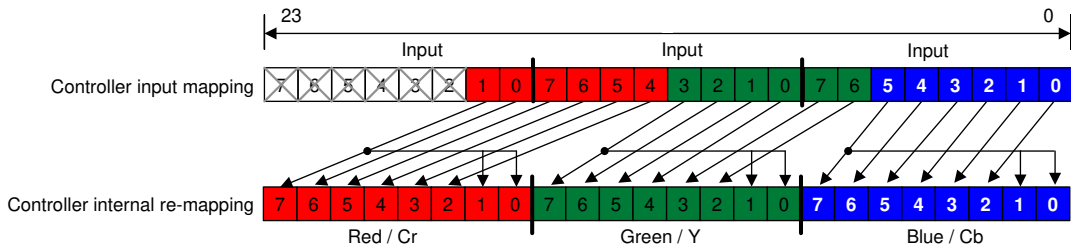


图 7-3. RGB-666 and YCbCr-666 I/O Mapping

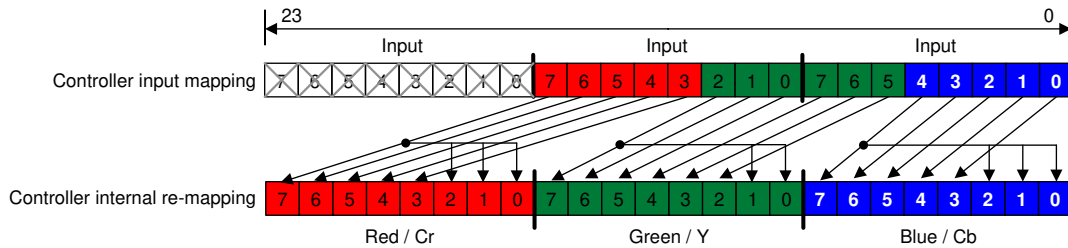


图 7-4. RGB-565 and YCbCr-565 I/O Mapping

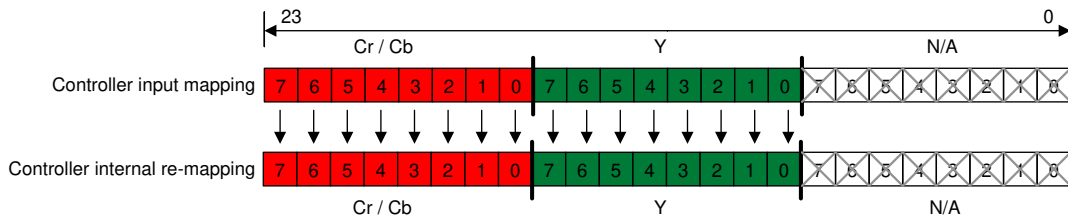


图 7-5. 16-Bit YCbCr-880 I/O Mapping

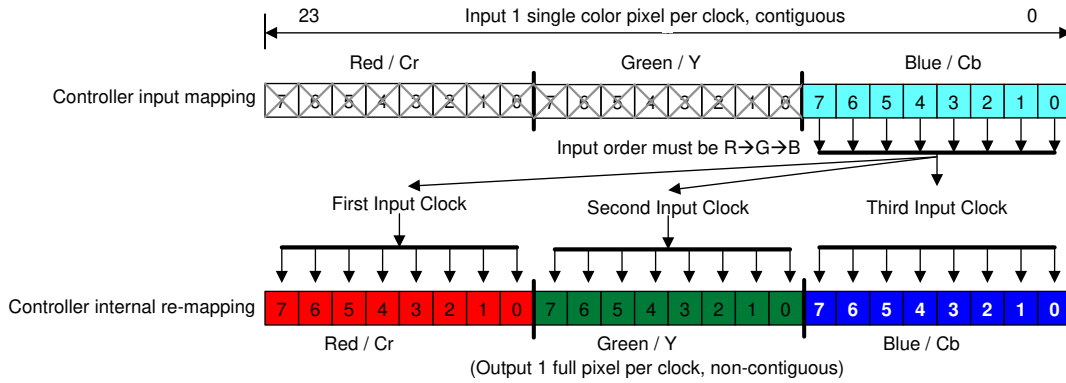


图 7-6. 8-Bit RGB-888 or YCbCr-888 I/O Mapping

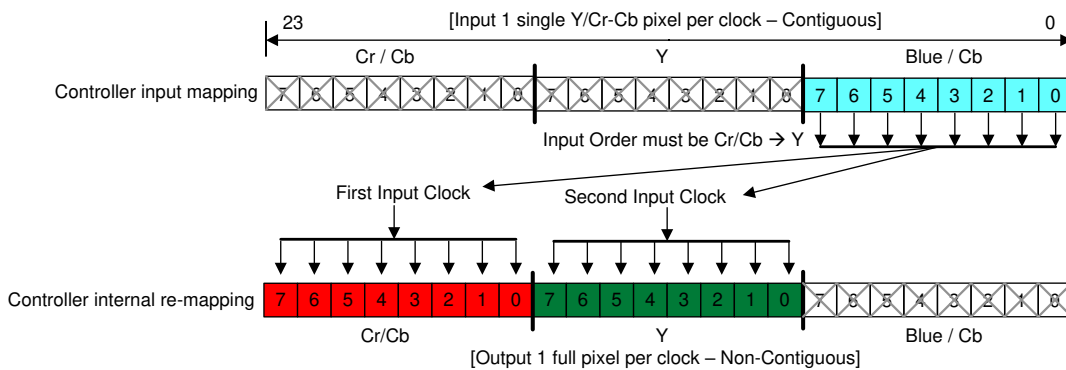


图 7-7. 8-Bit Serial YCbCr-422 I/O Mapping

7.3.2 Pattern Display

Pattern display is one of the key capabilities of the DLPC3478 display and light controller. When the DLPC3478 controller is configured for pattern display, most video processing functions can be bypassed to allow for accurate pattern display. For user flexibility and simple system design the DLPC3478 controller supports both external pattern and internal pattern streaming modes. In external pattern streaming mode, patterns are sent to the DLPC3478 controller over parallel interface. In internal pattern streaming mode, 1D patterns are pre-loaded in flash memory and a host command is sent to DLPC3478 controller to display the patterns. Internal pattern mode allows for a simple system design by eliminating the need for any external processor to generate and send 1D patterns to the DLPC3478 controller.

The DLPC3478 controller has two optional trigger out signals and one optional trigger in signal to synchronize patterns with a camera, sensor, or other peripherals.

表 7-3. Pattern Display Signals

| SIGNAL NAME | DESCRIPTION |
|----------------------|--|
| TRIG_OUT_1 (TSTPT_4) | External Pattern Mode: Active at the beginning of each input frame. Internal Pattern Mode: Active at the beginning of a predefined group of patterns. |
| TRIG_OUT_2 (GPIO_07) | Active during display of each pattern. When operating in external pattern mode, one video frame can have multiple patterns. |
| TRIG_IN (3DR) | Active in Internal Pattern Display mode only. An external input trigger signal is used to advance to the next pattern in internal pattern mode. |

7.3.2.1 External Pattern Mode

External pattern mode supports 8-bit and 1-bit monochrome or RGB patterns.

7.3.2.1.1 8-bit Monochrome Patterns

In 8-bit external pattern mode, the DLPC3478 controller supports up to 120-Hz input frame rate (VSYNC). In this mode, the 24-bit input data sent over the parallel interface can be configured as a combination of 1 (8-bits), 2 (16-bits), or 3 (24-bits) 8-bit patterns. [方程式 1](#) calculates the maximum pattern rate for an 8-bit pattern.

$$120 \text{ Hz} \times 3 = 360 \text{ Hz} \quad (1)$$

where

- the maximum allowed input frame rate is 120 Hz

The DLPC3478 controller firmware allows for the following user programmability.

- Exposure time (t_{Exposure}): Time during which a pattern displays and the illumination is on.
- DarkPre time (t_{DarkPre}): Dark time (before the pattern exposure) during which no pattern displays and the illumination is off.
- DarkPost time (t_{DarkPost}): Dark time (after the pattern exposure) during which no pattern displays and the illumination is off.
- Number of 8-bit patterns within a frame: 1, 2, or 3 within each frame period
- Selection of Illuminator that is on for each 8-bit pattern.
- TRIG_OUT_1 and TRIG_OUT_2 signal configuration and delay.

图 7-8 shows a configuration with 3 × 8-bit patterns.

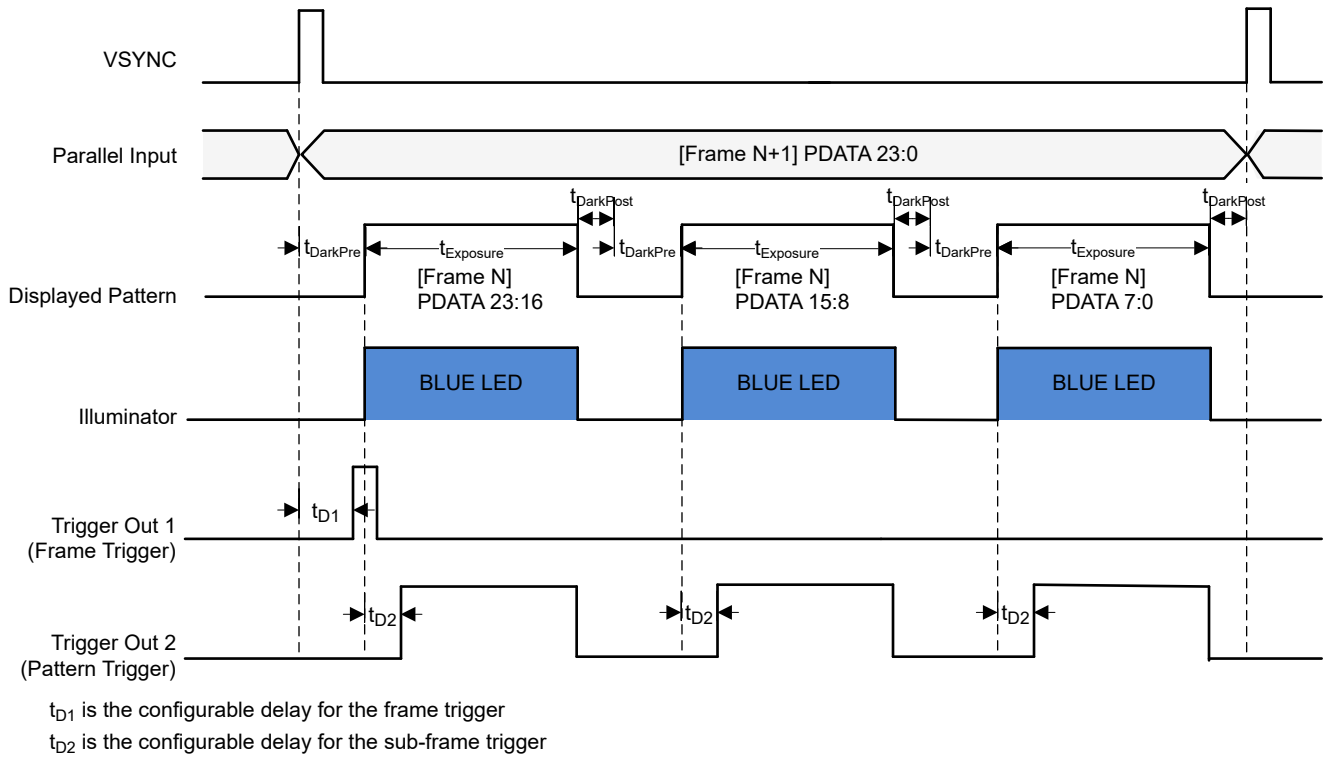


图 7-8. 3 × 8-bit (Blue) Pattern Configurations

- 3 × 8-bit patterns are displayed within each input VSYNC frame period.
- $t_{DarkPre}$, $t_{Exposure}$ and $t_{DarkPost}$ are the same for each pattern within a frame period.
- The sum of dark time and exposure time ($t_{DarkPre} + t_{Exposure} + t_{DarkPost}$) for the three patterns must be equal to or less than the full frame period. If the sum is less than the full frame period, additional dark time will be appended to the end of the last pattern.
- The Blue LED is configured to be on for each pattern.
- TRIG_OUT_1 (Frame Trigger) is configured active high polarity and will have a minimum pulse width of 20 microseconds. TRIG_OUT_1 delay (t_{D1}) is configured with respect to input V_{SYNC} .
- TRIG_OUT_2 (Pattern Trigger) is configured active high polarity and stays active during the pattern exposure. TRIG_OUT_2 delay (t_{D2}) is configured with reference to the start of the pattern and is set once per pattern within a frame.

图 7-9 shows a configuration with 2×8 -bit patterns.

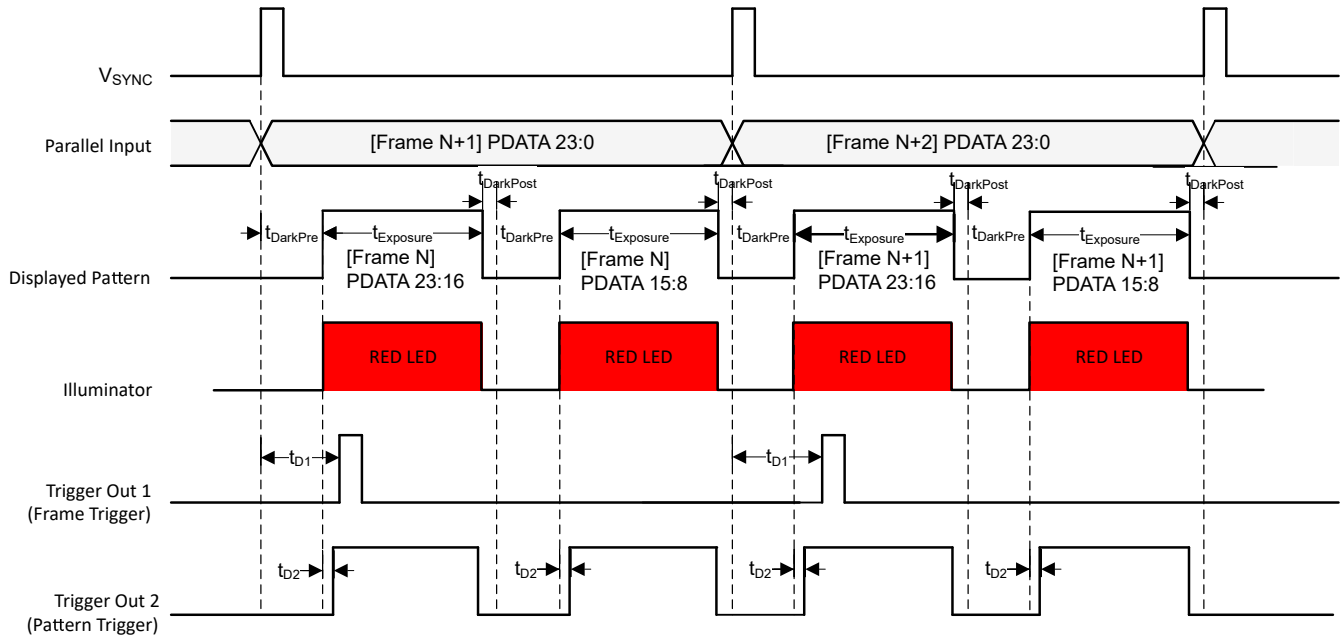


图 7-9. 2×8 -bit (Red) Pattern Configurations

- 2×8 -bit patterns are displayed within each input VSYNC frame period.
- t_{DarkPre} , t_{Exposure} and t_{DarkPost} are the same for each pattern within a frame period.
- The sum of dark time and exposure time ($t_{\text{DarkPre}} + t_{\text{Exposure}} + t_{\text{DarkPost}}$) for the three patterns must be equal to or less than the full frame period. If the sum is less than the full frame period, additional dark time will be appended to the end of the last pattern.
- The Red LED is configured to be ON for each pattern.
- TRIG_OUT_1 (Frame Trigger) is configured active high polarity and will have a minimum pulse width of 20 microseconds. TRIG_OUT_1 delay (t_{D1}) is configured with respect to input VSYNC.
- TRIG_OUT_2 (Pattern Trigger) is configured active high polarity and stays active during the pattern exposure. TRIG_OUT_2 delay (t_{D2}) is configured with reference to the start of the pattern and is set once per pattern within a frame.

Figure 7-10 shows a configuration with 1 × 8-bit patterns.

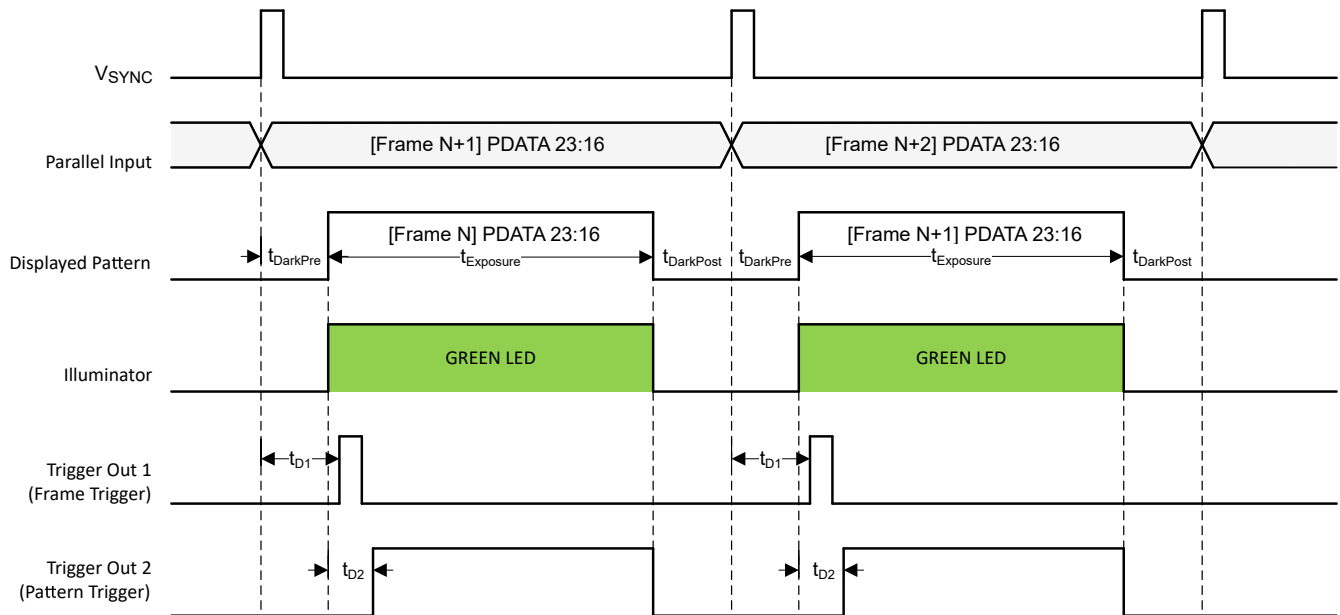


图 7-10. 1 × 8-bit (Green) Pattern Configurations

- 1 × 8-bit pattern is displayed within each input VSYNC frame period.
- t_{DarkPre} , t_{Exposure} and t_{DarkPost} are the same for each pattern within a frame period.
- The sum of dark time and exposure time ($t_{\text{DarkPre}} + t_{\text{Exposure}} + t_{\text{DarkPost}}$) for the three patterns must be equal to or less than the full frame period. If the sum is less than the full frame period, additional dark time will be appended to the end of the last pattern.
- The Green LED is configured to be on for each pattern.
- TRIG_OUT_1 (Frame Trigger) is configured active high polarity and will have a minimum pulse width of 20 microseconds. TRIG_OUT_1 delay (t_{D1}) is configured with respect to input V_{SYNC}.
- TRIG_OUT_2 (Pattern Trigger) is configured active high polarity and stays active during the pattern exposure. TRIG_OUT_2 delay (t_{D2}) is configured with reference to the start of the pattern and is set once per pattern within a frame.

7.3.2.1.2 1-Bit Monochrome Patterns

Similar to the 8-bit external pattern mode, the maximum supported 24-bit input frame for 1-bit external pattern mode is 104.2 Hz. In 1-bit pattern mode each of the 24-bit inputs are treated as separate binary patterns resulting in a maximum of 24 patterns. The maximum pattern rate for each 1-bit pattern is 2500 Hz.

The DLPC3478 controller firmware allows for the following user programmability:

- Exposure time: Time during which a pattern is displayed.
- Dark time: Time during which no pattern is displayed and the illumination is off.
- Number of 1-bit patterns within a frame - up to maximum of 24.
- Illuminator: Illuminator that is on for each 1-bit pattern. User defined illuminator is auto selected for all the patterns within a frame. User cannot select different illuminator for different 1-bit patterns within a frame.
- TRIG_OUT_1 and TRIG_OUT_2 signal configuration and delay.

图 7-11 shows a configuration with 24 × 1-bit patterns.

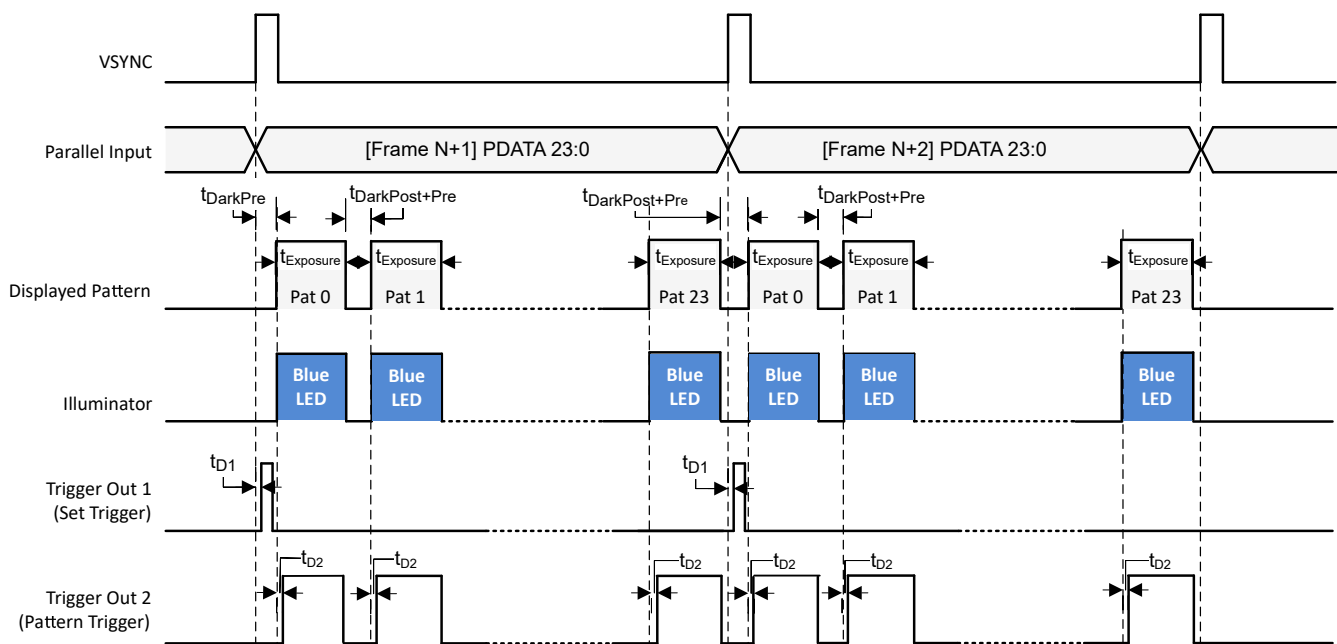


图 7-11. 24 × 1-bit (Blue) Pattern Configurations

- 24 × 1-bit patterns are displayed within each input VSYNC frame period.
- t_{DarkPre} , t_{Exposure} and t_{DarkPost} are the same for each pattern within a frame period.
- The sum of dark time and exposure time ($t_{\text{DarkPre}} + t_{\text{Exposure}} + t_{\text{DarkPost}}$) for all the 1-bit patterns must be equal to or less than the full frame period. If the sum is less than the full frame period, additional dark time will be appended to the end of the last pattern.
- The Blue LED is configured to be ON for each pattern.
- TRIG_OUT_1 (Frame Trigger) is configured active high polarity and will have a minimum pulse width of 20 microseconds. TRIG_OUT_1 delay (t_{D1}) is configured with respect to input V_{SYNC} .
- TRIG_OUT_2 (Pattern Trigger) is configured active high polarity and stays active during the pattern exposure. TRIG_OUT_2 delay (t_{D2}) is configured with reference to the start of the pattern and is set once per pattern within a frame.

7.3.2.2 Internal Pattern Mode

There are two key differences between internal and external pattern mode:

- Internal pattern mode only supports 1D patterns i.e the pattern data is the same across the entire row or column of the DMD (图 7-12, 图 7-13).
- Internal pattern mode enables user to design a simple system by eliminating need of an external processor to generate and send patterns every frame. In internal pattern mode one row or one column patterns are pre-loaded in the flash memory and a command is send to DLPC3478 controller to display the patterns. Implementation details on how to create patterns, save patterns in Flash memory and load patterns from flash memory into the DLPC3478 controller’ s internal memory are described in Software Programmers Guide.

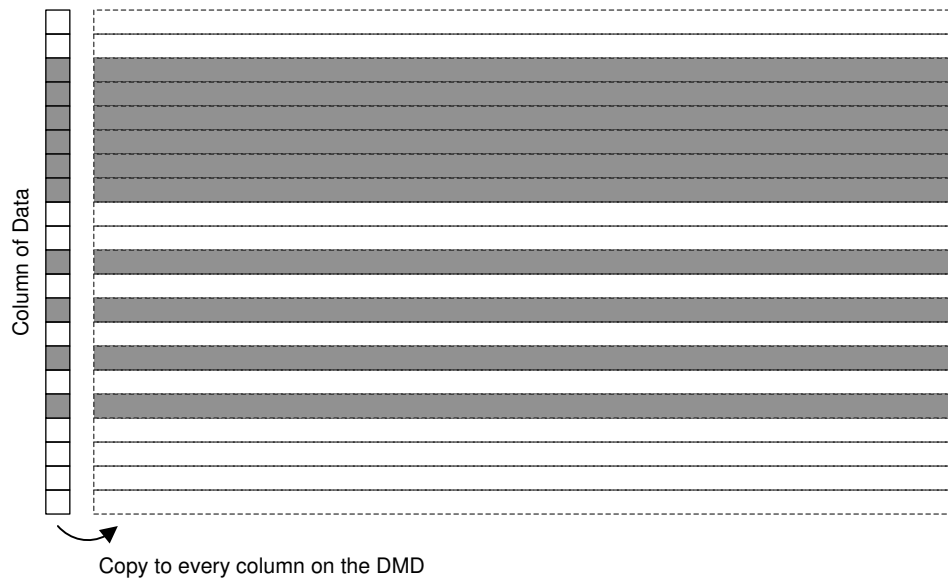


图 7-12. Column Replication

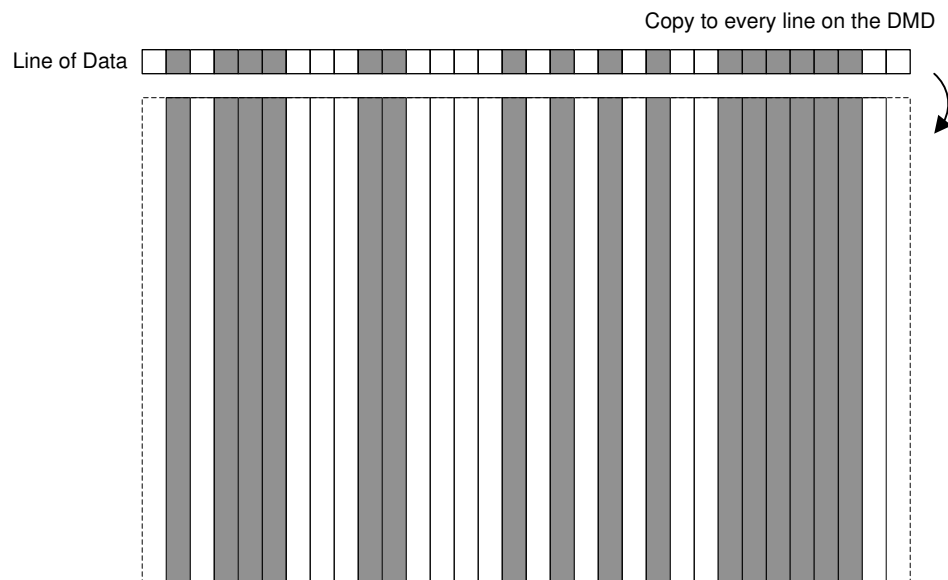


图 7-13. Row Replication

Internal pattern mode additionally provides two configurations to trigger the display of patterns, free running mode, (shown in 图 7-14) and trigger in mode (shown in 图 7-15).

7.3.2.2.1 Free Running Mode

In free running mode the DLPC3478 controller generates an internal synchronization signal to display pre-stored patterns. User sends an I²C command to instruct the DLPC3478 controller to download the 1D patterns from flash memory into DLPC3478 controller's internal memory and begin display of the 1D patterns.

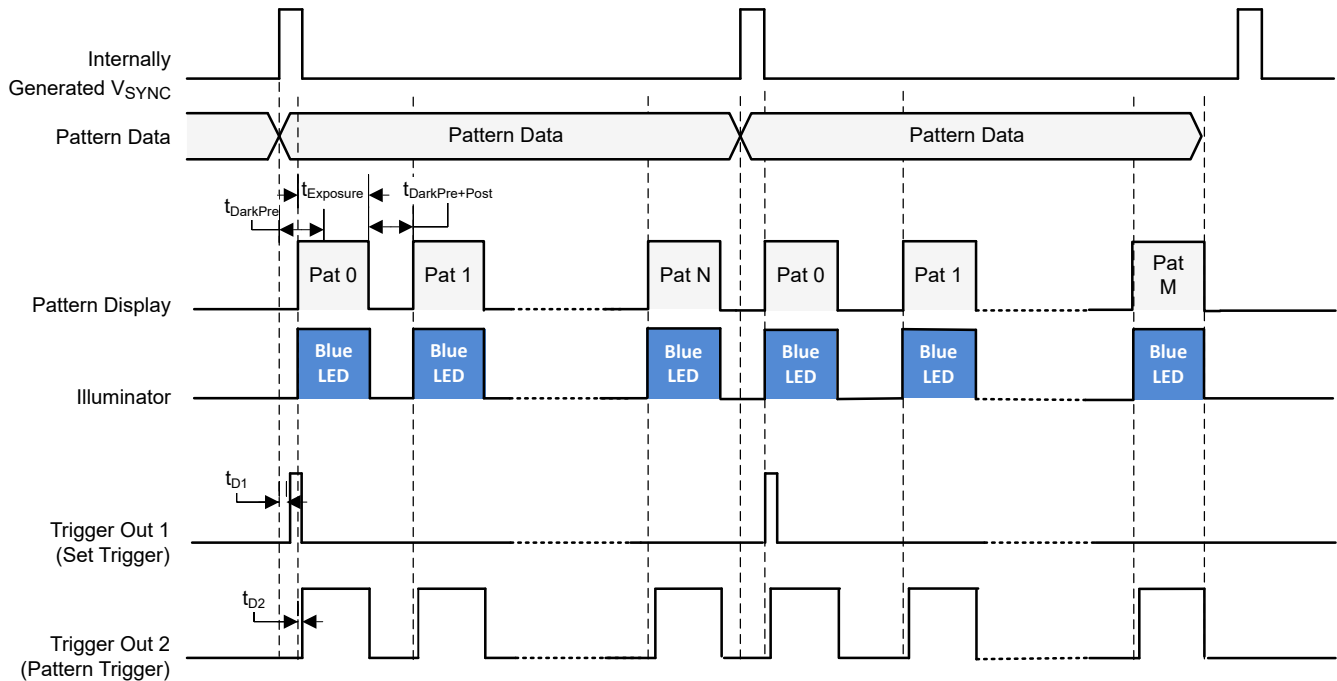


图 7-14. Free Running Mode

- The device displays multiple 1D patterns within an internally-generated V_{SYNC} period. t_{Exposure} (exposure time), t_{DarkPre} and t_{DarkPost} (dark time) are equal for all the 1D patterns within one internally generated V_{SYNC} frame.
- The Blue LED is configured to be on for each pattern.
- TRIG_OUT_1 (Frame Trigger) is configured active high polarity and will have a minimum pulse width of 20 microseconds. TRIG_OUT_1 delay (t_{D1}) is configured with respect to internally generated V_{SYNC}.
- TRIG_OUT_2 (Pattern Trigger) is configured active high polarity and stays active during the pattern exposure. TRIG_OUT_2 delay (t_{D2}) is configured with reference to the start of each pattern.
- V_{SYNC} is generated internally according to different sets of patterns stored in the SPI flash memory.

7.3.2.2.2 Trigger In Mode

Trigger In mode provides higher level of control to the user for displaying patterns. In this mode, the user determines when to display the pattern by sending an external trigger signal to the DLPC3478 controller. The DLPC3478 controller outputs a Pattern Ready signal to let the user know when DLPC3478 controller is ready to accept an external trigger signal.

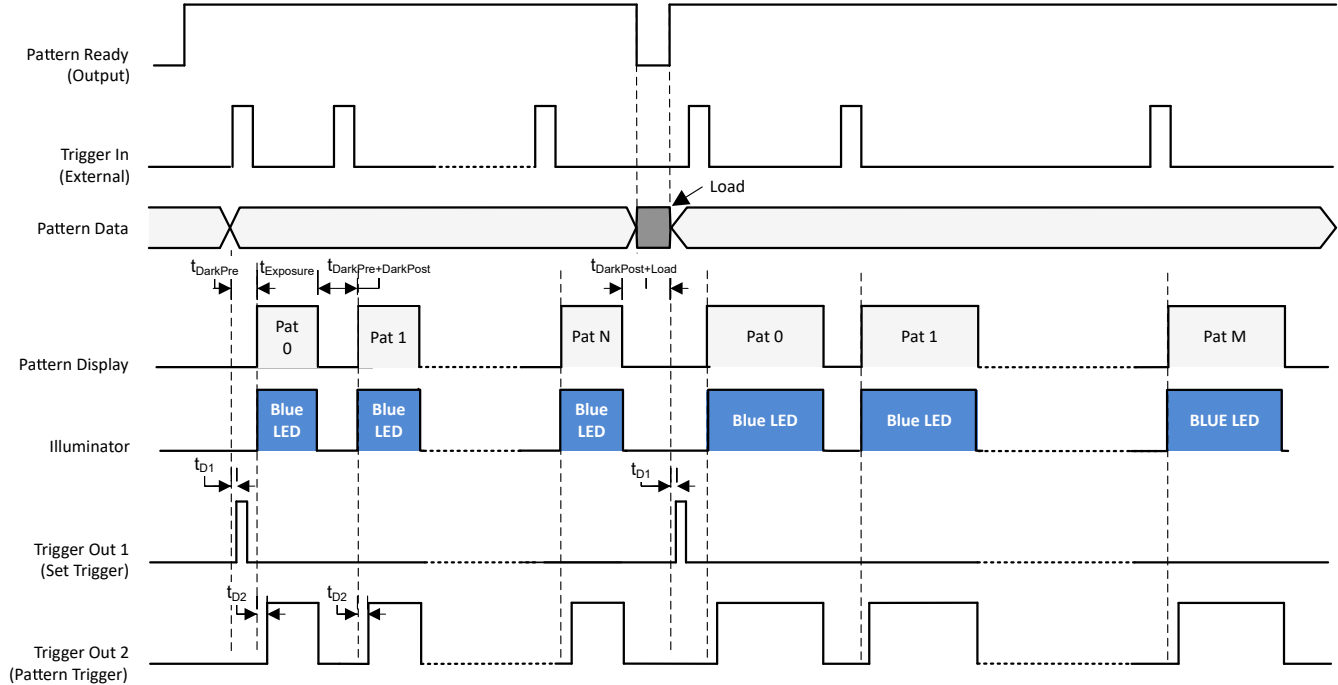
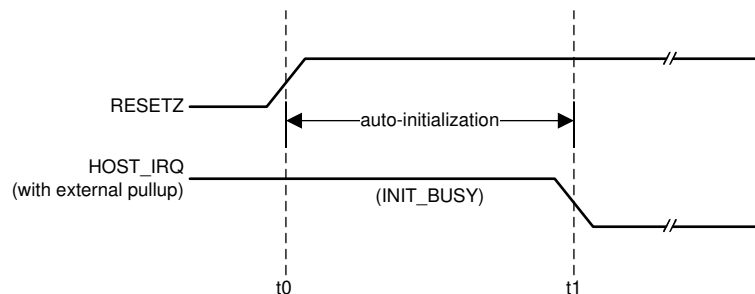


图 7-15. Trigger In Mode

- The DLPC3478 controller sets the Pattern Ready signal high to denote that the DLPC3478 controller is ready to accept the Trigger In signal.
- The user sends the external trigger input signal to the DLPC3478 controller to begin the display of the next pattern with t_{Exposure} (exposure time), t_{DarkPre} and t_{DarkPost} (dark time).
- The Blue LED is configured to be on for each pattern.
- TRIG_OUT_1 (Pattern Set Trigger) is configured active high polarity and will have a minimum pulse width of 20 microseconds. TRIG_OUT_1 delay (t_{D1}) is configured with respect to external trigger input (TRIG_IN).
- TRIG_OUT_2 (Pattern Trigger) is configured active high polarity and stays active during the pattern exposure. TRIG_OUT_2 delay (t_{D2}) is configured with reference to the start of each pattern exposure.

7.3.3 Device Startup

- The HOST_IRQ signal is provided to indicate when the system has completed auto-initialization.
- While reset is applied, HOST_IRQ is tri-stated (an external pullup resistor pulls the line high).
- HOST_IRQ remains tri-stated (pulled high externally) until the boot process completes. While the signal is pulled high, this indicates that the controller is performing boot-up and auto-initialization.
- As soon as possible after the controller boots-up, the controller drives HOST_IRQ to a logic high state to indicate that the controller is continuing to perform auto-initialization (no real state changes occur on the external signal).
- The software sets HOST_IRQ to a logic low state at the completion of the auto-initialization process. At the falling edge of the signal, the initialization is complete.
- The DLPC34xx controller is ready to receive commands through I²C or accept video over the video interface only after auto-initialization is complete.
- The controller initialization typically completes (HOST_IRQ goes low) within 500 ms of RESETZ being asserted. However, this time may vary depending on the software version and the contents of the user configurable auto initialization file.



t0: rising edge of RESETZ; auto-initialization begins

t1: falling edge of HOST_IRQ; auto-initialization is complete

图 7-16. HOST_IRQ Timing

7.3.4 SPI Flash

7.3.4.1 SPI Flash Interface

The DLPC34xx controller requires an external SPI serial flash memory device to store the firmware. Follow the below guidelines and requirements in addition to the requirements listed in the *Flash Interface Timing Requirements* section.

The controller supports a maximum flash size of 128 Mb (16 MB). See the DLPC34xx Validated SPI Flash Device Options table for example compatible flash options. The minimum required flash size depends on the size of the utilized firmware. The firmware size depends upon a variety of factors including the number of sequences, lookup tables, and splash images.

The DLPC34xx controller uses a single SPI interface that complies to industry standard SPI flash protocol. The device will begin accessing the flash at a nominal 1.42-MHz frequency before running at a nominal 30-MHz rate. The flash device must support these rates.

The controller has two independent SPI chip select (CS) control lines. Ensure that the chip select pin of the flash device is connects to SPI0_CSZ0 as the controller boot routine is executes from the device connected to chip select zero. The boot routine uploads program code from flash memory to program memory then transfers control to an auto-initialization routine within program memory.

The DLPC34xx is designed to support any flash device that is compatible with the modes of operation, features, and performance as defined in the Additional DLPC34xx SPI Flash Requirements table below 表 7-4, 表 7-5, and 表 7-6.

表 7-4. Additional DLPC34xx SPI Flash Requirements

| FEATURE | DLPC34xx REQUIREMENT |
|---|---|
| SPI interface width | Single |
| SPI polarity and phase settings | SPI mode 0 |
| Fast READ addressing | Auto-incrementing |
| Programming mode | Page mode |
| Page size | 256 B |
| Sector size | 4-KB sector |
| Block size | Any |
| Block protection bits | 0 = Disabled |
| Status register bit(0) | Write in progress (WIP), also called flash busy |
| Status register bit(1) | Write enable latch (WEN) |
| Status register bits(6:2) | A value of 0 disables programming protection |
| Status register bit(7) | Status register write protect (SRWP) |
| Status register bits(15:8) (that is expansion status byte) | Because the DLPC34xx controller supports only single-byte status register R/W command execution, it may not be compatible with flash devices that contain an expansion status byte. However, as long as the expansion status byte is considered optional in the byte 3 position and any write protection control in this expansion status byte defaults to unprotected, then the flash device is likely compatible with the DLPC34xx. |

The DLPC34xx controller is intended to support flash devices with program protection defaults of either enabled or disabled. The controller assumes the default is enabled and proceeds to disable any program protection as part of the boot process.

The DLPC34xx issues these commands during the boot process:

- A write enable (WREN) instruction to request write enable, followed by
- A read status register (RDSR) instruction (repeated as needed) to poll the write enable latch (WEL) bit
- After the write enable latch (WEL) bit is set, a write status register (WRSR) instruction that writes 0 to all 8 bits (this disables all programming protection)

Prior to each program or erase instruction, the DLPC34xx controller issues similar commands:

- A write enable (WREN) instruction to request write enable, followed by
- A read status register (RDSR) instruction (repeated as needed) to poll the write enable latch (WEL) bit
- After the write enable latch (WEL) bit is set, the program or erase instruction

Note that the flash device automatically clears the write enable status after each program and erase instruction.

表 7-5 and 表 7-6 below list the specific instruction OpCode and timing compatibility requirements. The DLPC34xx controller does not adapt protocol or clock rate based on the flash type connected.

表 7-5. SPI Flash Instruction OpCode and Access Profile Compatibility Requirements

| SPI FLASH COMMAND | BYTE 1 (OPCODE) | BYTE 2 | BYTE 3 | BYTE 4 | BYTE 5 | BYTE 6 |
|----------------------|-----------------|-----------|--------------------|-----------|------------------------|------------------------|
| Fast READ (1 output) | 0x0B | ADDRS(0) | ADDRS(1) | ADDRS(2) | dummy | DATA(0) ⁽¹⁾ |
| Read status | 0x05 | N/A | N/A | STATUS(0) | | |
| Write status | 0x01 | STATUS(0) | See ⁽²⁾ | | | |
| Write enable | 0x06 | | | | | |
| Page program | 0x02 | ADDRS(0) | ADDRS(1) | ADDRS(2) | DATA(0) ⁽¹⁾ | |
| Sector erase (4 KB) | 0x20 | ADDRS(0) | ADDRS(1) | ADDRS(2) | | |
| Chip erase | 0xC7 | | | | | |

(1) Shows the first data byte only. Data continues.

(2) Access to a second (expansion) write status byte not supported by the DLPC34xx controller.

表 7-6 below and the *Flash Interface Timing Requirements* section list the specific timing compatibility requirements for a DLPC34xx compatible flash device.

表 7-6. SPI Flash Key Timing Parameter Compatibility Requirements

| SPI FLASH TIMING PARAMETER ^{(1) (2)} | SYMBOL | ALTERNATE SYMBOL | MIN | MAX | UNIT |
|---|------------|------------------|------------|-------------|------|
| Access frequency (all commands) | FR | f_C | ≤ 1.4 | ≥ 30.1 | MHz |
| Chip select high time (also called chip select deselect time) | t_{SHSL} | t_{CSH} | ≤ 200 | | ns |
| Output hold time | t_{CLQX} | t_{HO} | ≥ 0 | | ns |
| Clock low to output valid time | t_{CLQV} | t_V | | ≤ 11 | ns |
| Data in set-up time | t_{DVCH} | t_{DSU} | ≤ 5 | | ns |
| Data in hold time | t_{CHDX} | t_{DH} | ≤ 5 | | ns |

(1) The timing values apply to the specification of the peripheral flash device, not the DLPC34xx controller. For example, the flash device minimum access frequency (FR) must be 1.4 MHz or less and the maximum access frequency must be 30.1 MHz or greater.

(2) The DLPC34xx does not drive the HOLD or WP (active low write protect) pins on the flash device, and thus these pins must be tied to a logic high on the PCB through an external pullup.

In order for the DLPC34xx controller to support 1.8-V, 2.5-V, or 3.3-V serial flash devices, the VCC_FLSH pin must be supplied with the corresponding voltage. The DLPC34xx Validated SPI Flash Device Options table contains a list of validated 1.8-V, 2.5-V, or 3.3-V compatible SPI serial flash devices supported by the DLPC34xx controller.

表 7-7. DLPC34xx Validated SPI Flash Device Options^{(1) (2) (3)}

| DENSITY (Mb) | VENDOR | PART NUMBER | PACKAGE SIZE |
|---|----------|-------------------|----------------------|
| 1.8-V COMPATIBLE DEVICES | | | |
| 4 Mb | Winbond | W25Q40BWUXIG | 2 × 3 mm USON |
| 4 Mb | Macronix | MX25U4033EBAI-12G | 1.43 × 1.94 mm WLCSP |
| 8 Mb | Macronix | MX25U8033EBAI-12G | 1.68 × 1.99 mm WLCSP |
| 2.5- OR 3.3-V COMPATIBLE DEVICES | | | |
| 16 Mb | Winbond | W25Q16CLZPIG | 5 × 6 mm WSON |

(1) The flash supply voltage must equal VCC_FLSH supply voltage on the DLPC34xx controller. Make sure to order the device that supports the correct supply voltage as multiple voltage options are often available.

(2) Numonyx (Micron) serial flash devices typically do not support the 4 KB sector size compatibility requirement for the DLPC34xx controller.

(3) The flash devices in this table have been formally validated by TI. Other flash options may be compatible with the DLPC34xx controller, but they have not been formally validated by TI.

7.3.4.2 SPI Flash Programming

The SPI pins of the flash can directly be driven for flash programming while the DLPC34xx controller I/Os are tri-stated. SPI0_CLK, SPI0_DOUT, and SPI0_CSZ0 I/O can be tri-stated by holding RESETZ in a logic low state while power is applied to the controller. The logic state of the SPI0_CSZ1 pin is not affected by this action. Alternatively, the DLPC34xx controller can program the SPI flash itself when commanded via I²C if a valid firmware image has already been loaded and the controller is operational.

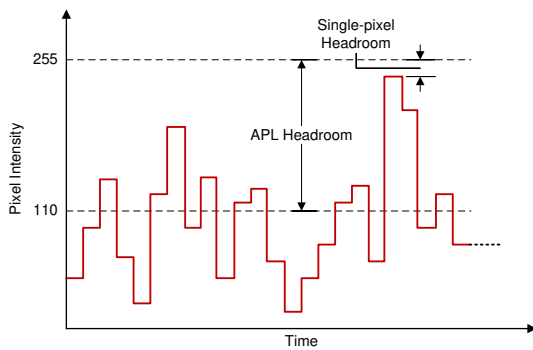
7.3.5 I²C Interface

Both of the DLPC34xx I²C interface ports support a 100-kHz baud rate. Because I²C interface transactions operate at the speed of the slowest device on the bus, there is no requirement to match the speed of all devices in the system.

7.3.6 Content Adaptive Illumination Control (CAIC)

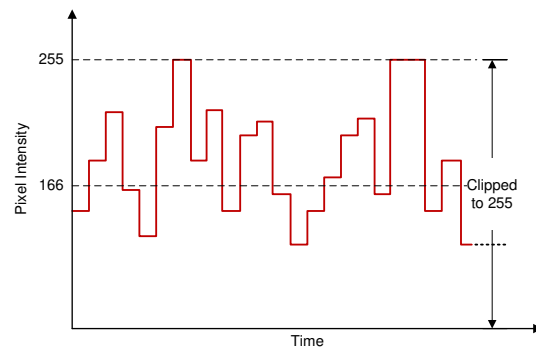
Content Adaptive Illumination control (CAIC) is part of the IntelliBright® suite of advanced image processing algorithms that adaptively enhances brightness and reduces power. In common real-world image content most pixels in the images are well below full scale for the R (red), G (green), and B (blue) digital channels input to the DLPC34xx. As a result of this, the average picture level (APL) for the overall image is also well below full scale, and the dynamic range for the collective set of pixel values is not fully used. CAIC takes advantage of the headroom between the source image APL and the top of the available dynamic range of the display system.

CAIC evaluates images on a frame-by-frame basis and derives three unique digital gains, one for each of the R, G, and B color channel. During image processing, CAIC applies each gain to all pixels in the associated color channel. The calculated gain is applied to all pixels in that channel so that the pixels as a group collectively shift upward and as close to full scale as possible. To prevent any image quality degradation, the gains are set at the point where just a few pixels in each color channel are clipped. The [Source Pixels for a Color Channel](#) and [Pixels for a Color Channel After CAIC Processing](#) figures below show an example of the application of CAIC for one color channel.



(1) APL = 110

图 7-17. Source Pixels for a Color Channel

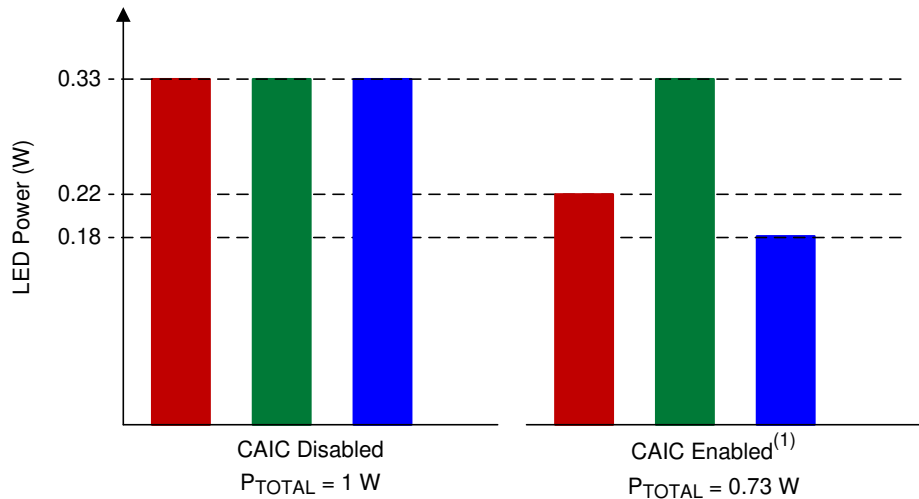


(1) APL = 166

(2) Channel gain = $166/110 = 1.51$

图 7-18. Pixels for a Color Channel After CAIC Processing

Above, [图 7-18](#) shows the gain that is applied to a color processing channel inside the DLPC34xx. Additionally, CAIC adjusts the power for the R, G, and B LED by commanding different LED currents. For each color channel of an individual frame, CAIC intelligently determines the optimal combination of digital gain and LED power. The user configurable CAIC settings heavily influence the amount of digital gain that is applied to a color channel and the LED power for that color.



(1) With CAIC enabled, if red and blue LEDs require less than nominal power for a given input image, the red and blue LED power will reduce.

图 7-19. CAIC Power Reduction Mode (for Constant Brightness)

As CAIC applies a digital gain to each color channel and adjusts the power to each LED, CAIC ensures the resulting color balance in the final image matches the target color balance for the projector system. Thus, the effective displayed white point of images is held constant by CAIC from frame to frame.

CAIC can be used to increase the overall image brightness while holding the total power for all LEDs constant, or CAIC can be used to hold the overall image brightness constant while decreasing LED power. In summary, CAIC has two primary modes of operation:

- Power reduction mode holds overall image brightness constant while reducing LED power
- Enhanced brightness mode holds overall LED power constant while enhancing image brightness

In power reduction mode, since the R, G, and B channels can be gained up by CAIC inside the DLPC34xx, the LED power can be reduced for any color channel until the brightness of the color on the screen is unchanged. Thus, CAIC can achieve an overall LED power reduction while maintaining the same overall image brightness as if CAIC was not used. [图 7-19](#) shows an example of LED power reduction by CAIC for an image where the red and blue LEDs can consume less power.

In enhanced brightness mode the R, G, and B channels can be gained up by CAIC with LED power generally being held constant. This results in an enhanced brightness with no power savings.

While there are two primary modes of operation described, the DLPC34xx actually operates within the extremes of pure power reduction mode and enhanced brightness mode. The user can configure which operating mode the DLPC34xx will more closely follow by adjusting the CAIC gain setting as described in the software programmer's guide.

In addition to the above functionality, CAIC also can be used as a tool with which FOFO (full-on full-off) contrast on a projection system can be improved. While operating in power reduction mode, the DLPC34xx reduces LED power as the intensity of the image content for each color channel decreases. This will result in the LEDs operating at nominal settings with full-on content (a white screen) and reducing power output until the dimmest possible content (a black screen) is reached. In this latter case, the LEDs will be operating at minimum power output capacity and thus producing the minimum possible amount of off-state light. This optimization provided by CAIC will thereby improve FOFO contrast ratio. The given contrast ratio will further increase as nominal LED current (full-on state) is increased.

7.3.7 Local Area Brightness Boost (LABB)

Local area brightness boost (LABB), part of the IntelliBright™ suite of advanced image processing algorithms, adaptively gains up regions of an image that are dim relative to the average picture level. The controller applies significant gain to some regions of the image, and applies little or no gain to other regions. The LABB algorithm evaluates images frame-by-frame and calculates the local area gains to be used for each image. Since many images have a net overall boost in gain, even if the controller applies no gain to some parts of the image, the controller boosts the overall perceived brightness of the image.

图 7-20 below shows a split screen example of the impact of the LABB algorithm for an image that includes dark areas.



图 7-20. LABB enabled (left side) and LABB disabled (right side)

The LABB algorithm operates most effectively when ambient light conditions are used to help determine the decision about the strength of gains utilized. For this reason, it may be useful to include an ambient light sensor in the system design that is used to measure the display screen's reflected ambient light. This sensor can assist in dynamically controlling the LABB strength. Set the LABB gain higher for bright rooms to help overcome washed out images. Set the LABB gain lower in dark rooms to prevent overdriven pixel intensities in images.

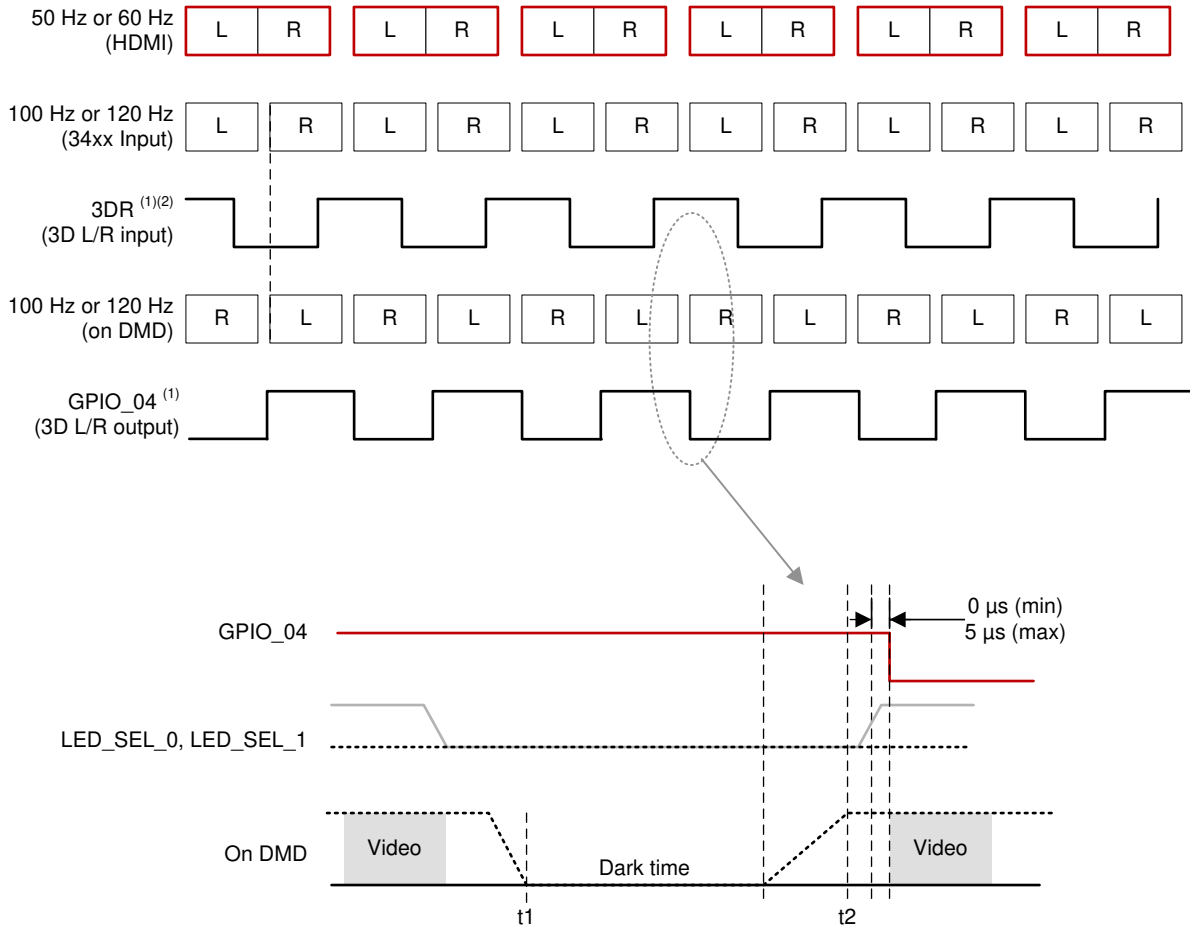
7.3.8 3D Glasses Operation

When using 3D glasses (with 3D video input and appropriate software support), the controller outputs sync information to align the left eye and right eye shuttering in the glasses with the displayed DMD image frames. 3D glasses typically use either Infrared (IR) transmission or DLP Link™ technology to achieve this synchronization.

One glasses type uses an IR transmitter on the system PCB to send an IR sync signal to an IR receiver in the glasses. In this case DLPC34xx controller output signal GPIO_04 can be used to cause the IR transmitter to send an IR sync signal to the glasses. The 图 7-21 figure shows the timing sequence for the GPIO_04 signal.

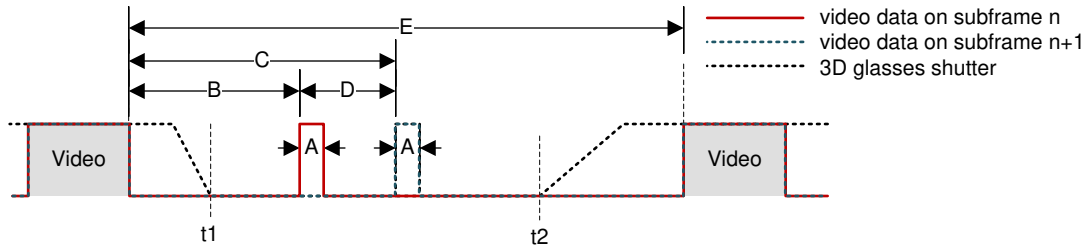
The second type of glasses relies on sync information that is encoded into the light being output from the projection lens. This approach uses the DLP Link feature for 3D video. Many 3D glasses from different suppliers have been built using this method. The advantage of using the DLP Link feature is that it takes advantage of existing projector hardware to transmit the sync information to the glasses. This method may give an advantage in cost, size and power savings in the projector.

When using DLP Link technology, one light pulse per DMD frame is output from the projection lens while the glasses have both shutters closed. To achieve this, the DLPC34xx tells the DLPxxxx when to turn on the illumination source (typically LEDs or lasers) so that an encoded light pulse is output once per DMD frame. Because the shutters in the glasses are both off when the pulse is sent, the projector illumination source is also off except when the light is sent to create the pulse. The pulses may use any color; however, due to the transmission property of the eye-glass LCD shutter lenses and the sensitivity of the white-light sensor used on the eye-glasses, it is highly recommended that blue is not used for pulses. Red pulses are the recommended color to use. The [图 7-21](#) figure below shows 3D timing information. [图 7-22](#) and [表 7-8](#) show the timing for the light pulses when using the DLP Link feature.



- (1) Left = 1, Right = 0
- (2) 3DR must toggle 1 ms before VSYNC
- t1: both shutters turned off
- t2: next shutter turned on

图 7-21. 3D Display Left and Right Frame and Signal Timing



The time offset of DLP Link pulses at the end of a subframe alternates between B and B+D where D is the delta offset.

图 7-22. 3D DLP Link Pulse Timing

表 7-8. 3D DLP Link Timing

| HDMI Source Frame Rate (Hz) ⁽¹⁾ | DLPC34xx Input Frame Rate (Hz) | A (μs) | B (μs) | C (μs) | D (μs) | E (μs) |
|--|--------------------------------|---------------------------|--------|--------|------------------------------|--------|
| 49.0 | 98 | 20 - 32 (31.8 nominal) | > 500 | > 622 | 128 - 163 (161.6 nominal) | > 2000 |
| 50.0 | 100 | 20 - 32 (31.2 nominal) | > 500 | > 658 | 128 - 163 (158.4 nominal) | > 2000 |
| 51.0 | 102 | 20 - 32 (30.6 nominal) | > 500 | > 655 | 128 - 163 (155.3 nominal) | > 2000 |
| 59.0 | 118 | 20 - 32 (26.4 nominal) | > 500 | > 634 | 128 - 163 (134.2 nominal) | > 2000 |
| 60.0 | 120 | 20 - 32 (26.0 nominal) | > 500 | > 632 | 128 - 163 (132.0 nominal) | > 2000 |
| 61.0 | 122 | 20 - 32 (25.6 nominal) | > 500 | > 630 | 128 - 163 (129.8 nominal) | > 2000 |

(1) Timing parameter C is always the sum of B+D.

7.3.9 Test Point Support

The DLPC34xx test point output port, TSTPT_(7:0), provides selected system calibration and controller debug support. These test points are inputs when reset is applied. These test points are outputs when reset is released. The controller samples the signal state upon the release of system reset and then uses the captured value to configure the test mode until the next time reset is applied. Because each test point includes an internal pulldown resistor, external pullups must be used to modify the default test configuration.

The default configuration (b000) corresponds to the TSTPT_(2:0) outputs remaining tri-stated to reduce switching activity during normal operation. For maximum flexibility, a jumper to external pullup resistors is recommended for TSTPT_(2:0). The pullup resistors on TSTPT_(2:0) can be used to configure the controller for a specific mode or option. TI does not recommend adding pullup resistors to TSTPT_(7:3) due to potentially adverse effects on normal operation. For normal use TSTPT_(7:3) should be left unconnected. The test points are sampled only during a 0-to-1 transition on the RESETZ input, so changing the configuration after reset is released does not have any effect until the next time reset asserts and releases. 表 7-9 describes the test mode selections for one programmable scenario defined by TSTPT_(2:0).

表 7-9. Test Mode Selection Scenario Defined by TSTPT_(2:0)

| TSTPT OUTPUT VALUE ⁽¹⁾ | NO SWITCHING ACTIVITY | CLOCK DEBUG OUTPUT |
|-----------------------------------|-----------------------|---------------------|
| | TSTPT_(2:0) = 0b000 | TSTPT_(2:0) = 0b010 |
| TSTPT_0 | HI-Z | 60 MHz |
| TSTPT_1 | HI-Z | 30 MHz |
| TSTPT_2 | HI-Z | 0.7 to 22.5 MHz |

表 7-9. Test Mode Selection Scenario Defined by TSTPT_(2:0) (continued)

| TSTPT OUTPUT VALUE ⁽¹⁾ | NO SWITCHING ACTIVITY | CLOCK DEBUG OUTPUT |
|-----------------------------------|-----------------------|---------------------|
| | TSTPT_(2:0) = 0b000 | TSTPT_(2:0) = 0b010 |
| TSTPT_3 | HI-Z | HIGH |
| TSTPT_4 | HI-Z | LOW |
| TSTPT_5 | HI-Z | HIGH |
| TSTPT_6 | HI-Z | HIGH |
| TSTPT_7 | HI-Z | 7.5 MHz |

(1) These are default output selections. Software can reprogram the selection at any time.

7.3.10 DMD Interface

The DLPC34xx controller DMD interface consists of one high-speed (HS), 1.8-V sub-LVDS, output-only interface and one low speed (LS), 1.8-V LVCMOS SDR interface with a typical fixed clock speed of 120 MHz.

7.3.10.1 Sub-LVDS (HS) Interface

The DLP3010LC (0.3 inch 720p) DMD does not require all of the available output data lanes of the controller. Internal software selection allows the controller to support multiple DMD interface swap configurations. These options can improve board layout by remapping specific combinations of DMD interface lines to other DMD interface lines as needed. 表 7-10 shows the two options available for the DLP3010LC DMD. Leave any unused DMD signal pairs unconnected on the final board design.

表 7-10. DLP3010LC (0.3 inch 720p) DMD - ASIC to 8-Lane DMD Pin Mapping Options

| DLPC3478 ASIC 8 LANE DMD ROUTING OPTIONS | | DMD PINS |
|--|------------------------------|----------------------------------|
| OPTION 1 | OPTION 2 | |
| HS_WDATA_D_P HS_WDATA_D_N | HS_WDATA_E_P HS_WDATA_E_N | Input DATA_p_0 Input DATA_n_0 |
| HS_WDATA_C_P HS_WDATA_C_N | HS_WDATA_F_P HS_WDATA_F_N | Input DATA_p_1 Input DATA_n_1 |
| HS_WDATA_B_P HS_WDATA_B_N | HS_WDATA_G_P HS_WDATA_G_N | Input DATA_p_2 Input DATA_n_2 |
| HS_WDATA_A_P HS_WDATA_A_N | HS_WDATA_H_P HS_WDATA_H_N | Input DATA_p_3 Input DATA_n_3 |
| HS_WDATA_H_P HS_WDATA_H_N | HS_WDATA_A_P HS_WDATA_A_N | Input DATA_p_4 Input DATA_n_4 |
| HS_WDATA_G_P HS_WDATA_G_N | HS_WDATA_B_P HS_WDATA_B_N | Input DATA_p_5 Input DATA_n_5 |
| HS_WDATA_F_P HS_WDATA_F_N | HS_WDATA_C_P HS_WDATA_C_N | Input DATA_p_6 Input DATA_n_6 |
| HS_WDATA_E_P HS_WDATA_E_N | HS_WDATA_D_P HS_WDATA_D_N | Input DATA_p_7 Input DATA_n_7 |

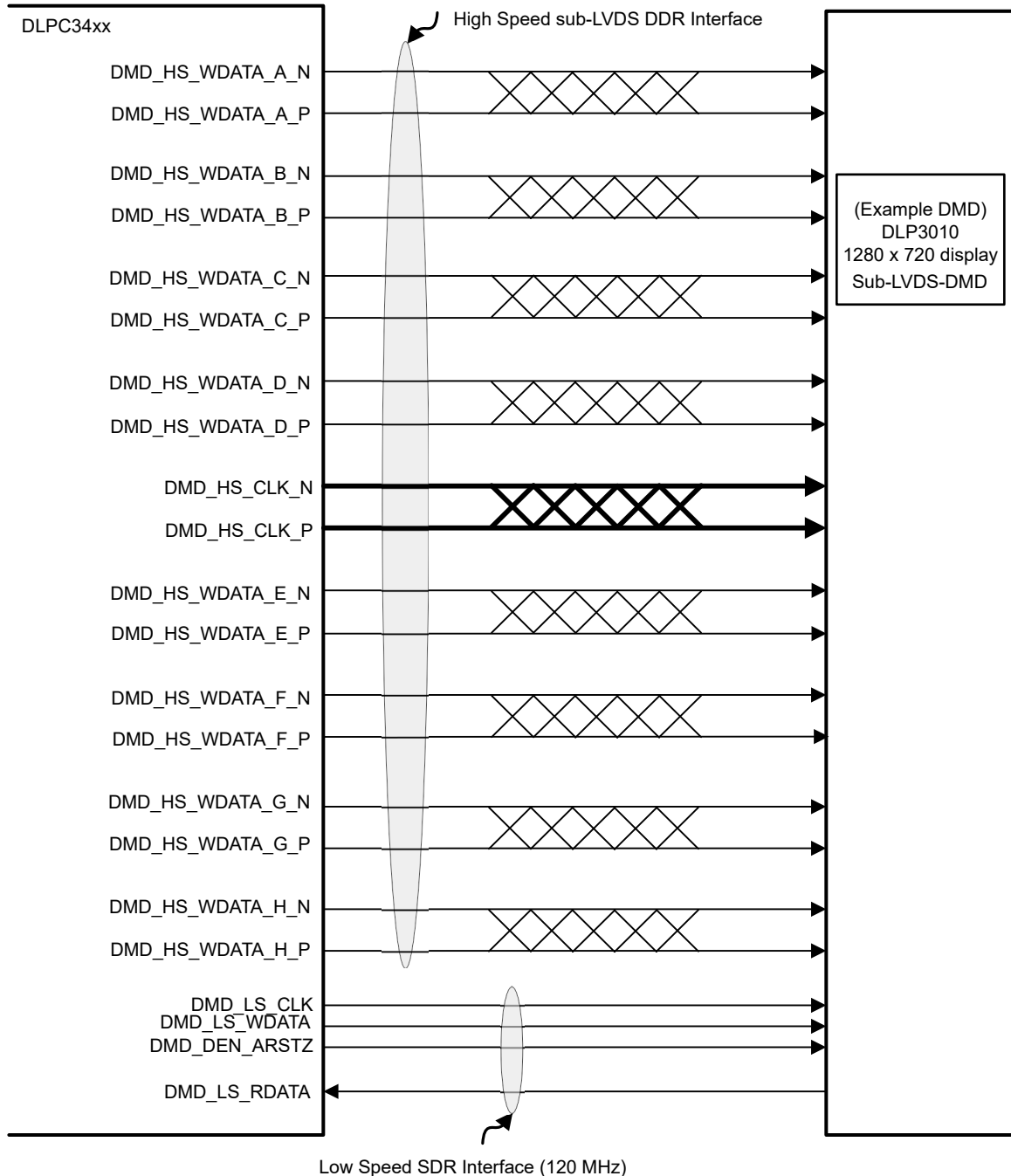


图 7-23. DLP3010LC (.3 720p) DMD Interface Example

The sub-LVDS high-speed interface waveform quality and timing on the DLPC34xx controller depends on the total length of the interconnect system, the spacing between traces, the characteristic impedance, etch losses, and how well matched the lengths are across the interface. Thus, ensuring positive timing margin requires attention to many factors.

In an attempt to minimize the signal integrity analysis that would otherwise be required, the *DMD Control and Sub-LVDS Signals* layout section is provided as a reference of an interconnect system that satisfy both waveform quality and timing requirements (accounting for both PCB routing mismatch and PCB signal integrity). Variation from these recommendations may also work, but should be confirmed with PCB signal integrity analysis or lab measurements.

7.4 Device Functional Modes

The DLPC34xx controller has two functional modes (ON and OFF) controlled by a single pin, PROJ_ON (GPIO_08).

- When the PROJ_ON pin is set high, the controller powers up and can be programmed to send data to the DMD.
- When the PROJ_ON pin is set low, the controller powers down and consumes minimal power.

7.5 Programming

The DLPC34xx controller contains an Arm® Cortex®-M3 processor with additional functional blocks to enable video processing and control. TI provides software as a firmware image. The customer is required to flash this firmware image onto the SPI flash memory. The DLPC34xx controller loads this firmware during startup and regular operation. The controller and its accompanying DLP chipset requires this proprietary software to operate. The available controller functions depend on the firmware version installed. Different firmware is required for different chipset combinations (such as when using different PMIC devices). See *Documentation Support* at the end of this document or contact TI to view or download the latest published software.

Users can modify software behavior through I²C interface commands. For a list of commands, view the software user's guide accessible through the *Documentation Support* page.

8 Application and Implementation

Note

以下应用部分中的信息不属于 TI 器件规格的范围，TI 不担保其准确性和完整性。TI 的客户应负责确定器件是否适用于其应用。客户应验证并测试其设计，以确保系统功能。

8.1 Application Information

DLPC3478 display and light controller with DLP3010LC DMD enables high accuracy and very small form factor 3D Depth sensing products. This section describes typical 3D depth sensor DLP systems using both external and internal pattern streaming modes. The DMDs are spatial light modulators which reflect incoming light from an illumination source to one of two directions, with the primary direction being into projection or collection optics. The optical architecture of the system and the format of the image digital data coming into the DLPC3478 are what primarily determine the application requirements.

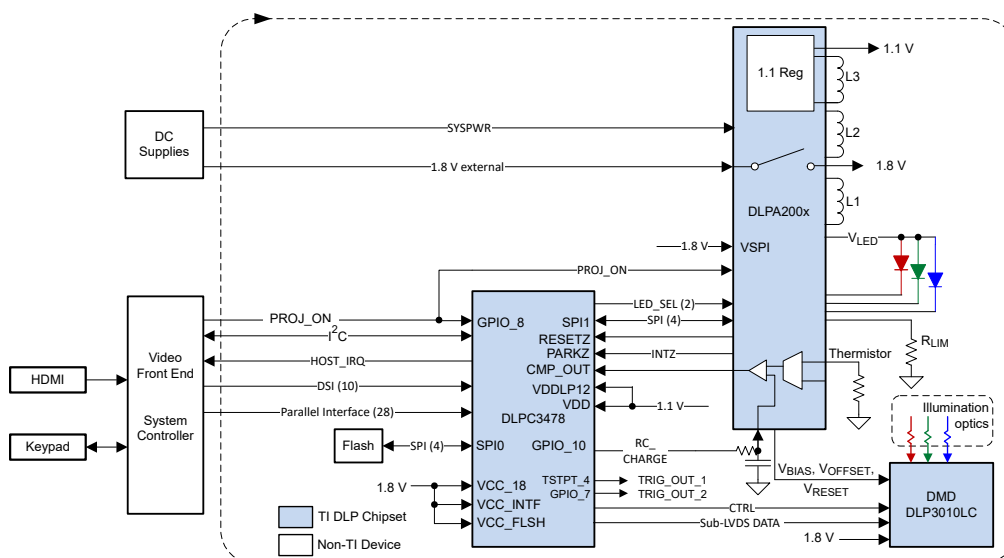
Typical applications include:

- Battery-powered, mobile accessory
 - 3D Camera
 - Tablets
 - Smartphones
 - Laptop
- Dental scanner (desktop or intra-oral)
- Robotics
- In-line automated inspection
- 3D biometrics: facial and finger print recognition
- Light exposure: 3D printers, programmable spatial and temporal light exposure

8.2 Typical Application

8.2.1 Pattern projector for 3D depth scanning

DLPC3478 controller with DLP3010LC DMD enables high accuracy and very small form factor 3D Depth scanner products. 图 8-1 shows a typical 3D depth scanner system block diagram using external pattern streaming mode.



A. Options to elect different LEDs, but only 1 channel used at a time

图 8-1. External Pattern Streaming Mode

8.2.1.1 Design Requirements

A high accuracy 3D depth scanner product can be created by using a DLP chipset comprised of DLP3010LC DMD, DLPC3478 controller and DLPA200x or DLPA300x PMIC/LED drive. The DLPC3478 simplifies the pattern generation, the DLPA200x or DLPA300x provides the needed analog functions and DMD displays the required patterns for accurate 3D depth scanning.

In addition to the three DLP devices in the chipset, other components may be required to complete the application. Minimally, a flash component is required to store patterns, the software, and the firmware in order to control the DLPC3478 controller.

DLPC3478 controller supports any illumination source including IR light source (LEDs or vertical-cavity surface-emitting laser - VCSEL), UV light source, or visible light source (red, green or blue LEDs or lasers).

For connecting the DLPC3478 controller to the host processing for receiving patterns or video data, the parallel interface is used. Connect an I²C interface to the host processor to send commands to the DLPC3478 controller.

The only required power supplies that are external to the projector system chipset are the battery (SYSPWR) and possibly a regulated 1.8-V supply (some TI PMICs generate the 1.8-V supply but the DLPA200x does not).

The entire pico-projector can be turned on and off by using a single signal called PROJ_ON. When PROJ_ON is high, the projector turns on and begins displaying images. When PROJ_ON is set low, the projector turns off and draws just microamps of current on SYSPWR. If 1.8 V is supplied separately from the PMIC (as is the case with the DLPA200x), when PROJ_ON is set low, the 1.8-V supply can continue to be left at 1.8 V and used by other non-projector sections of the product.

8.2.1.2 Detailed Design Procedure

For connecting the DLP3010LC DMD, the DLPC3478 controller and the DLPA200x or DLPA300x PMIC/LED driver see the reference design schematic. An example board layout is included in the reference design data base. Follow the layout guidelines shown in [节 10](#) to achieve reliable DLP system results.

8.2.1.3 Application Curve

As the LED currents that are driven through the red, green or blue LEDs are increased, the brightness of the projector increases. This increase is somewhat non-linear, and the curve for typical white screen lumens changes with LED currents is shown in [图 8-2](#). For the LED currents shown, it is assumed that the same current amplitude is applied to the red, green, and blue LEDs. For mono-chrome use case with a single LED or a different light source, this curve will be different and the specific light source documentation needs to be referred for similar information.

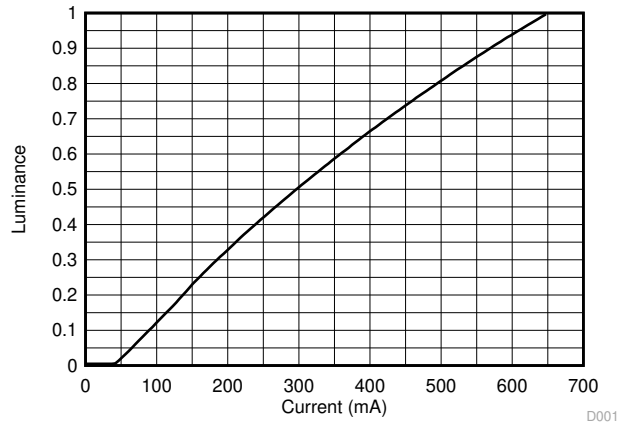
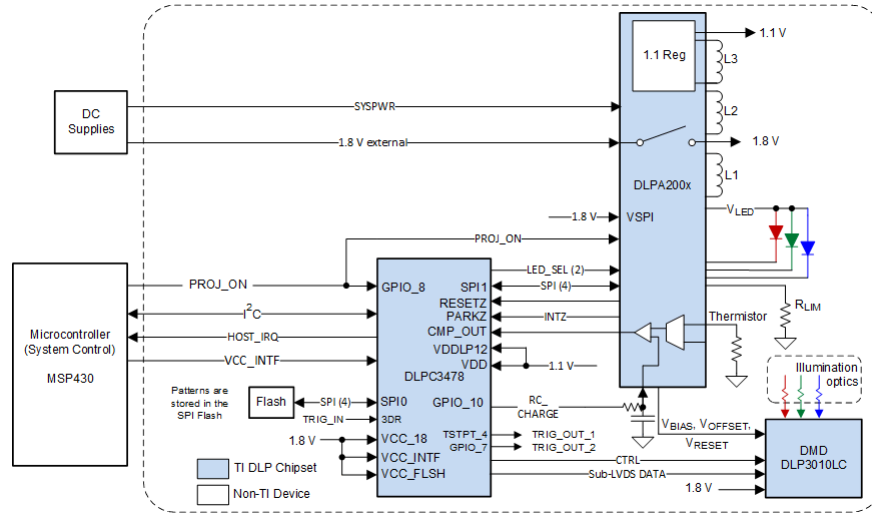


图 8-2. Luminance vs Current

8.2.2 3D Depth Scanner Using Internal Pattern Streaming Mode

图 8-3 shows a typical 3D depth scanner system block diagram using internal pattern streaming mode.



A. Options to elect different LEDs, but only 1 channel used at a time

图 8-3. Internal Pattern Streaming Mode

8.2.2.1 Design Requirements

The design requirements for the 3D Depth scanner system using Internal Pattern Streaming Mode is identical to the design procedure for the 3D Depth capture system External Pattern Streaming Mode. (See the 节 8.2.1.1 section.)

8.2.2.2 Detailed Design Procedure

The design procedure for the 3D Depth scanner Using Internal Pattern Streaming Mode is identical to the design procedure for the 3D Depth scanner using External Pattern Streaming Mode. (See the 节 8.2.1.2 section.)

8.2.2.3 Application Curve

See the 节 8.2.1.3 as the brightness considerations are similar in both external and internal pattern streaming modes.

9 Power Supply Recommendations

9.1 PLL Design Considerations

It is acceptable for the VDD_PLLD and VDD_PLLM to be derived from the same regulator as the core VDD. However, to minimize the AC noise component, apply a filter as recommended in the *PLL Power Layout* section.

9.2 System Power-Up and Power-Down Sequence

Although the DLPC34xx controller requires an array of power supply voltage pins (for example, VDD, VDDL12, VDD_PLLM/D, VCC18, VCC_FLSH, and VCC_INTF), if VDDL12 is tied to the 1.1-V VDD supply (which is assumed to be the typical configuration), then there are no restrictions regarding the relative order of power supply sequencing to avoid damaging the DLPC34xx controller (this remains true for both power-up and power-down scenarios). The controller requires no minimum delay time between powering-up and powering-down the individual supplies if the VDDL12 is tied to the 1.1-V VDD supply.

However, if the VDDL12 pin is not tied to the VDD supply, then the VDDL12 pin must be powered-on only after the VDD supply is powered-on. And in a similar sequence, the VDDL12 pin must be powered-off before the VDD supply is powered-off. If the VDDL12 pin is not tied to VDD, then the VDDL12 pin and VDD supply pins must be powered-on or powered-off within 100 ms of each other.

Although there is no risk of damaging the DLPC34xx controller when the above power sequencing rules are followed, these additional power sequencing recommendations must be considered to ensure proper system operation:

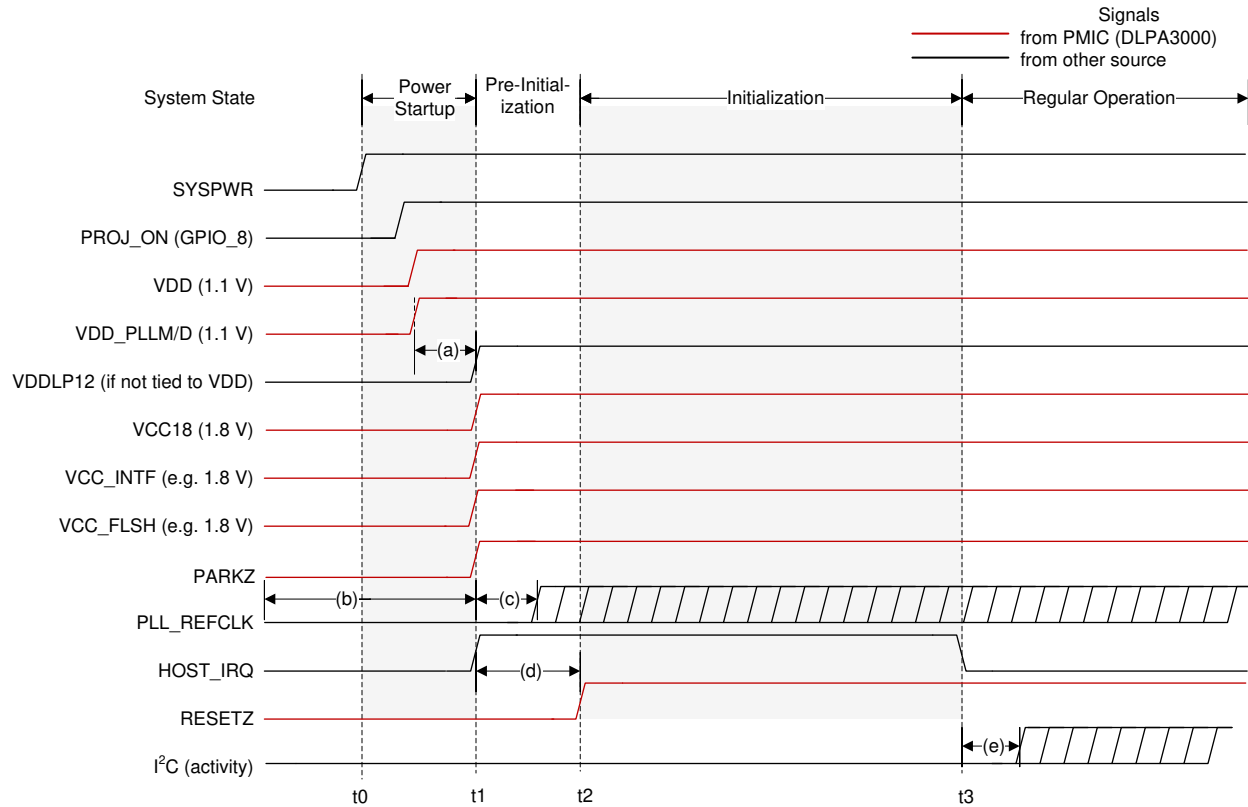
- To ensure that the DLPC34xx controller output signal states behave as expected, all controller I/O supplies are encouraged to remain applied while VDD core power is applied. If VDD core power is removed while the I/O supply (VCC_INTF) is applied, then the output signal states associated with the inactive I/O supply go to a high impedance state.
- Because additional power sequencing rules may exist for devices that share the supplies with the DLPC34xx controller (such as the PMIC and DMD), these devices may force additional system power sequencing requirements.

[图 9-1](#), [图 9-2](#), and [图 9-3](#) show the DLPC34xx power-up sequence, the normal PARK power-down sequence, and the fast PARK power-down sequence of a typical DLPC34xx system.

When the VDD core power is applied, but I/O power is not applied, the controller may draw additional leakage current. This leakage current does not affect the normal DLPC34xx controller operation or reliability.

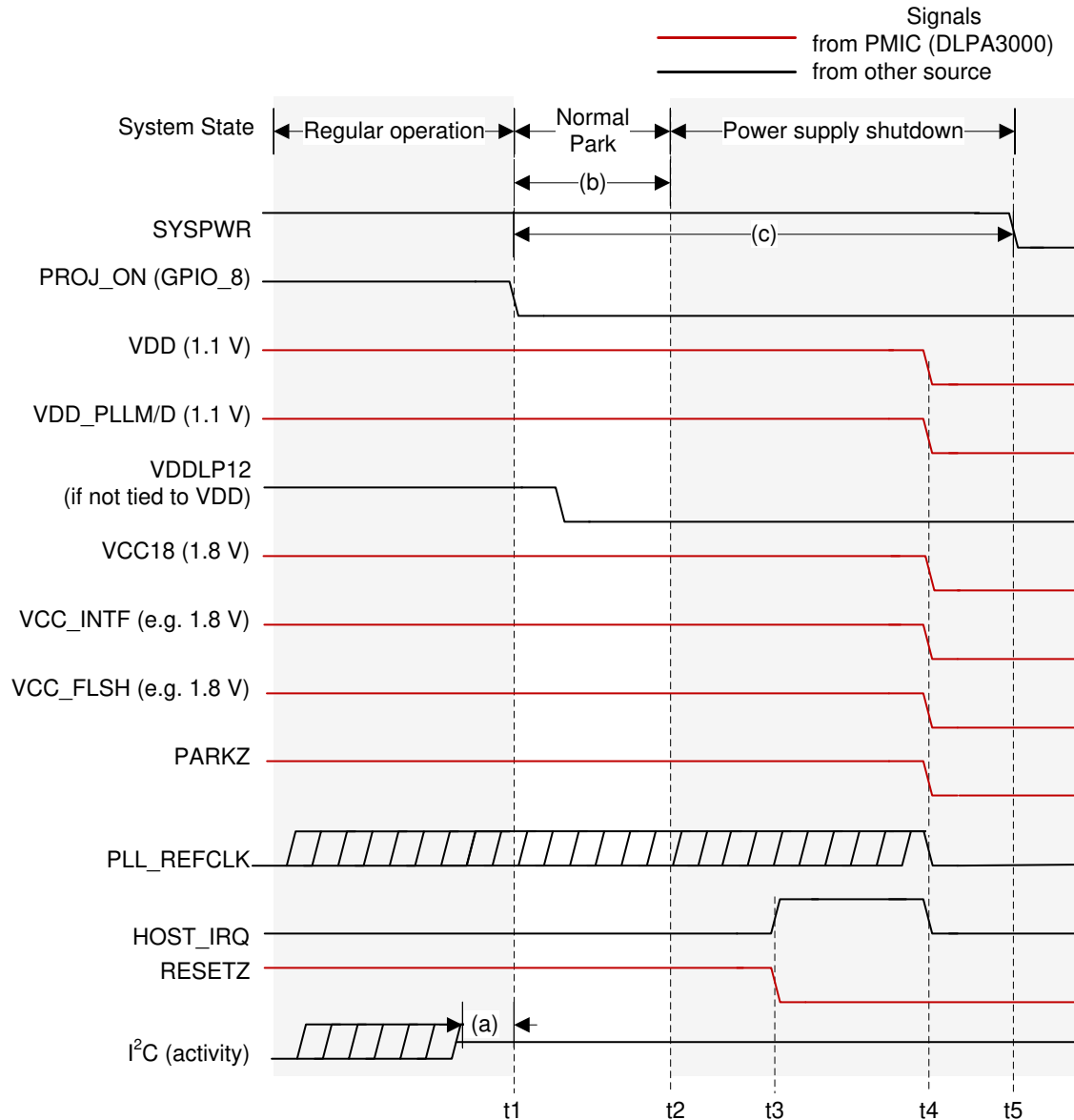
Note

During a Normal Park it is recommended to maintain SYSPWR within specification for at least 50 ms after PROJ_ON goes low. This is to allow the DMD to be parked and the power supply rails to safely power down. After 50 ms, SYSPWR can be turned off. If a DLPA200x is used, it is also recommended that the 1.8-V supply fed into the DLPA200x load switch be maintained within specification for at least 50 ms after PROJ_ON goes low.



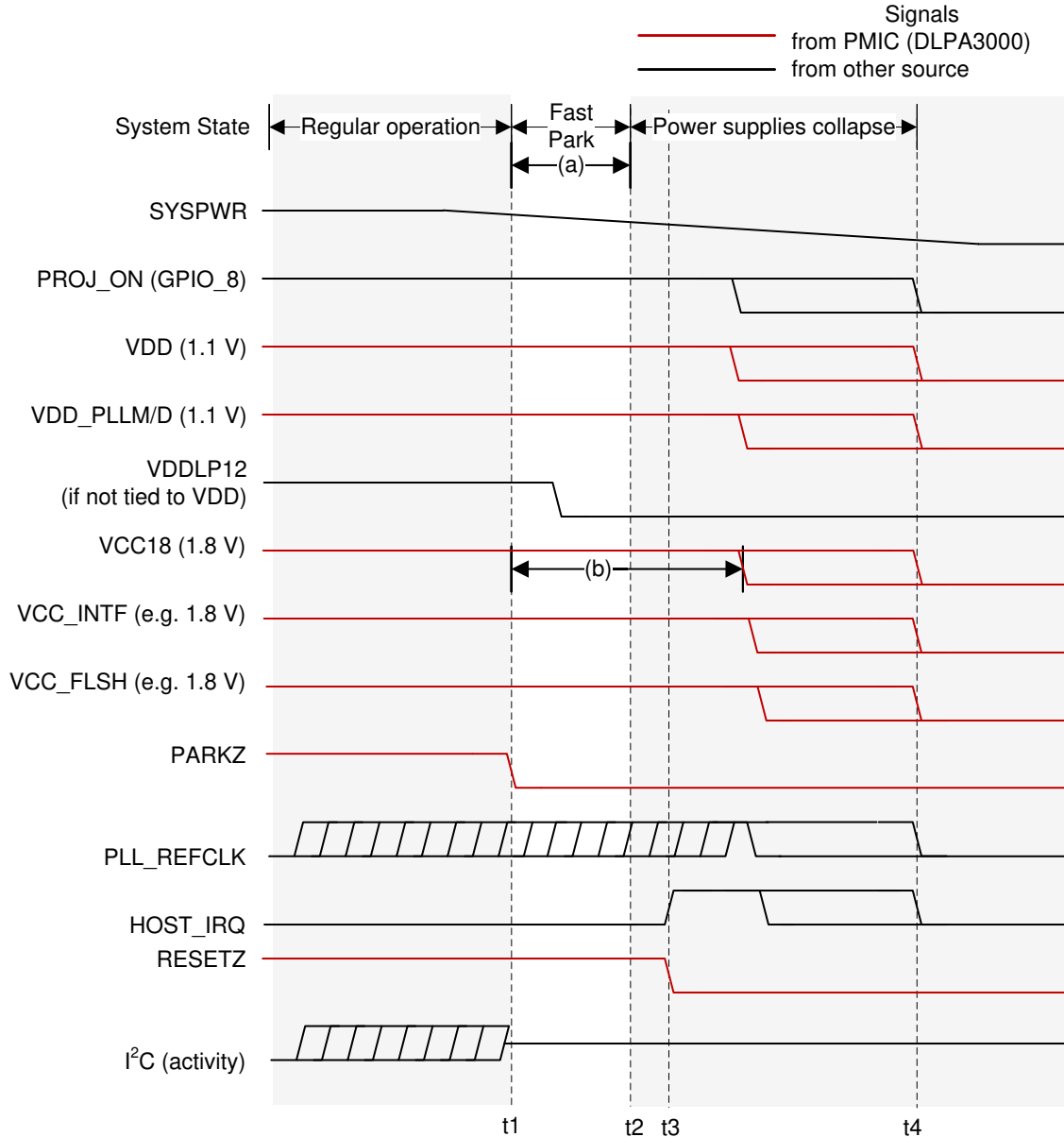
- t0: SYSPWR applied to the PMIC. All other voltage rails are derived from SYSPWR.
- t1: All supplies reach 95% of their specified nominal value. Note HOST_IRQ may go high sooner if it is pulled-up to a different external supply.
- t2: Point where RESETZ is deasserted (goes high). This indicates the beginning of the controller auto-initialization routine.
- t3: HOST_IRQ goes low to indicate initialization is complete.
- (a): VDDL12 must be powered on after VDD if it is supplied from a separate source.
- (b): PLL_REFCLK is allowed to be active before power is applied.
- (c): PLL_REFCLK must be stable within 5 ms of all power being applied. For external oscillator applications this is oscillator dependent, and for crystal applications this is crystal and controller oscillator cell dependent.
- (d): PARKZ must be high before RESETZ releases to support auto-initialization. RESETZ must also be held low for at least 5 ms after the power supplies are in specification.
- (e): I²C activity cannot start until HOST_IRQ goes low to indicate auto-initialization completes.

图 9-1. System Power-Up Waveforms (With DLPA3000)



- t1: PROJ_ON goes low to begin the power down sequence.
- t2: The controller finishes parking the DMD.
- t3: RESETZ is asserted which causes HOST_IRQ to be pulled high.
- t4: All controller power supplies are turned off.
- t5: SYSPWR is removed now that all other supplies are turned off.
- (a): I²C activity must stop before PROJ_ON is deasserted (goes low).
- (b): The DMD will be parked within 20 ms of PROJ_ON being deasserted (going low). VDD, VDD_PLLM/D, VCC18, VCC_INITF, and VCC_FLSH power supplies and the PLL_REFCLK must be held within specification for a minimum of 20 ms after PROJ_ON is deasserted (goes low). However, 20 ms does not satisfy the typical shutdown timing of the entire chipset. It is therefore recommended to follow note (c).
- (c): It is recommended that SYSPWR not be turned off for 50 ms after PROJ_ON is deasserted (goes low). This time allows the DMD to be parked, the controller to turn off, and the PMIC supplies to shut down.

图 9-2. Normal Park Power-Down Waveforms



- t1: A fault is detected (in this example the PMIC detects a UVLO condition) and PARKZ is asserted (goes low) to tell the controller to initiate a fast park of the DMD.
- t2: The controller finishes the fast park procedure.
- t3: RESETZ is asserted which puts the controller in a reset state which causes HOST_IRQ to be pulled high.
- t4: Eventually all power supplies that were derived from SYSPWR collapse.
- (a): VDD, VDD_PLLM/D, VCC18, VCC_INITF, and VCC_FLSH power supplies and the PLL_REFCLK must be held within specification for a minimum of 32 μ s after PARKZ is asserted (goes low).
- (b): VCC18 must remain in specification long enough to satisfy DMD power sequencing requirements defined in the DMD datasheet. Also see the DLPxxxx datasheets for more information.

图 9-3. Fast Park Power-Down Waveforms

9.3 Power-Up Initialization Sequence

An external power monitor is required to hold the DLPC34xx controller in system reset during the power-up sequence by driving RESETZ to a logic-low state. It shall continue to drive RESETZ low until all controller voltages reach the minimum specified voltage levels, PARKZ goes high, and the input clocks are stable. The external power monitoring is automatically done by the DLPxxxx PMIC.

No signals output by the DLPC34xx controller will be in their active state while RESETZ is asserted. The following signals are tri-stated while RESETZ is asserted:

- SPI0_CLK
- SPI0_DOUT
- SPI0_CSZ0
- SPI0_CSZ1
- GPIO [19:00]

Add external pullup (or pulldown) resistors to all tri-stated output signals (including bidirectional signals to be configured as outputs) to avoid floating controller outputs during reset if they are connected to devices on the PCB that can malfunction. For SPI, at a minimum, include a pullup to any chip selects connected to devices. Unused bidirectional signals can be configured as outputs in order to avoid floating controller inputs after RESETZ is set high.

The following signals are forced to a logic low state while RESETZ is asserted and the corresponding I/O power is applied:

- LED_SEL_0
- LED_SEL_1
- DMD_DEN_ARSTZ

After power is stable and the PLL_REFCLK_I clock input to the DLPC34xx controller is stable, then RESETZ should be deactivated (set to a logic high). The DLPC34xx controller then performs a power-up initialization routine that first locks its PLL followed by loading self configuration data from the external flash. Upon release of RESETZ, all DLPC34xx I/Os will become active. Immediately following the release of RESETZ, the HOST_IRQ signal will be driven high to indicate that the auto initialization routine is in progress. However, since a pullup resistor is connected to signal HOST_IRQ, this signal will have already gone high before the controller actively drives it high. Upon completion of the auto-initialization routine, the DLPC34xx controller will drive HOST_IRQ low to indicate the initialization done state of the controller has been reached.

To ensure reliable operation, during the power-up initialization sequence, GPIO_08 (PROJ_ON) must not be deasserted. In other words, once the startup routine has begun (by asserting PROJ_ON), the startup routine must complete (indicated by HOST_IRQ going low) before the controller can be commanded off (by deasserting PROJ_ON).

Note

No I²C or DSI (if applicable) activity is permitted until HOST_IRQ goes low.

9.4 DMD Fast Park Control (PARKZ)

PARKZ is an input early warning signal that must alert the controller at least 32 μ s before DC supply voltages drop below specifications. Typically, the PARKZ signal is provided by the DLPxxxx interrupt output signal. PARKZ must be deasserted (set high) prior to releasing RESETZ (that is, prior to the low-to-high transition on the RESETZ input) for normal operation. When PARKZ is asserted (set low) the controller performs a Fast Park operation on the DMD which assists in maintaining the lifetime of the DMD. The reference clock must continue running and RESETZ must remain deactivated for at least 32 μ s after PARKZ has been asserted (set low) to allow the park operation to complete.

Fast Park operation is only intended for use when loss of power is imminent and beyond the control of the host processor (for example, when the external power source has been disconnected or the battery has dropped

below a minimum level). The longest lifetime of the DMD may not be achieved with Fast Park operation. The longest lifetime is achieved with a Normal Park operation (initiated through GPIO_08). Hence, PARKZ is typically only used instead of a Normal Park request if there is not enough time for a Normal Park. A Normal Park operation takes much longer than 32 μ s to park the mirrors. During a Normal Park operation, the DLPxxxx keeps on all power supplies, and keeps RESETZ high, until the longer mirror parking has completed. Additionally, the DLPxxxx may hold the supplies on for a period of time after the parking has been completed. View the relevant DLPxxxx datasheet for more information. The longer mirror parking time ensures the longest DMD lifetime and reliability. The *DMD Parking Switching Characteristics* section specifies the park timings.

9.5 Hot Plug I/O Usage

The DLPC34xx controller provides fail-safe I/O on all host interface signals (signals powered by VCC_INTF). This allows these inputs to externally be driven even when no I/O power is applied. Under this condition, the controller does not load the input signal nor draw excessive current that could degrade controller reliability. For example, the I²C bus from the host to other components is not affected by powering off VCC_INTF to the DLPC34xx controller. This allows additional devices on the I²C bus to be utilized even if the controller is not powered on. TI recommends weak pullup or pulldown resistors to avoid floating inputs for signals that feed back to the host.

If the I/O supply (VCC_INTF) powers off, but the core supply (VDD) remains on, then the corresponding input buffer may experience added leakage current; however, the added leakage current does not damage the DLPC34xx controller.

However, if VCC_INTF is powered and VDD is not powered, the controller may drive the IIC0_xx pins low which prevents communication on this I²C bus. Do not power up the VCC_INTF pin before powering up the VDD pin for any system that has additional secondary devices on this bus.

10 Layout

10.1 Layout Guidelines

For a summary of the PCB design requirements for the DLPC34xx controller see [PCB Design Requirements for TI DLP Pico TRP Digital Micromirror Devices](#). Some applications (such as high frame rate video) may require the use of 1-oz (or greater) copper planes to manage the controller package heat.

10.1.1 PLL Power Layout

Follow these recommended guidelines to achieve acceptable controller performance for the internal PLL. The DLPC34xx controller contains two internal PLLs which have dedicated analog supplies (VDD_PLLM, VSS_PLLM, VDD_PLLD, and VSS_PLLD). At a minimum, isolate the VDD_PLLx power and VSS_PLLx ground pins using a simple passive filter consisting of two series ferrite beads and two shunt capacitors (to widen the spectrum of noise absorption). It's recommended that one capacitor be 0.1 μ F and one be 0.01 μ F. Place all four components as close to the controller as possible. It's especially important to keep the leads of the high frequency capacitors as short as possible. Connect both capacitors from VDD_PLLM to VSS_PLLM and VDD_PLLD to VSS_PLLD on the controller side of the ferrite beads.

Select ferrite beads with these characteristics:

- DC resistance less than 0.40 Ω
- Impedance at 10 MHz equal to or greater than 180 Ω
- Impedance at 100 MHz equal to or greater than 600 Ω

The PCB layout is critical to PLL performance. It is vital that the quiet ground and power are treated like analog signals. Therefore, VDD_PLLM and VDD_PLLD must be a single trace from the DLPC34xx controller to both capacitors and then through the series ferrites to the power source. Make the power and ground traces as short as possible, parallel to each other, and as close as possible to each other.

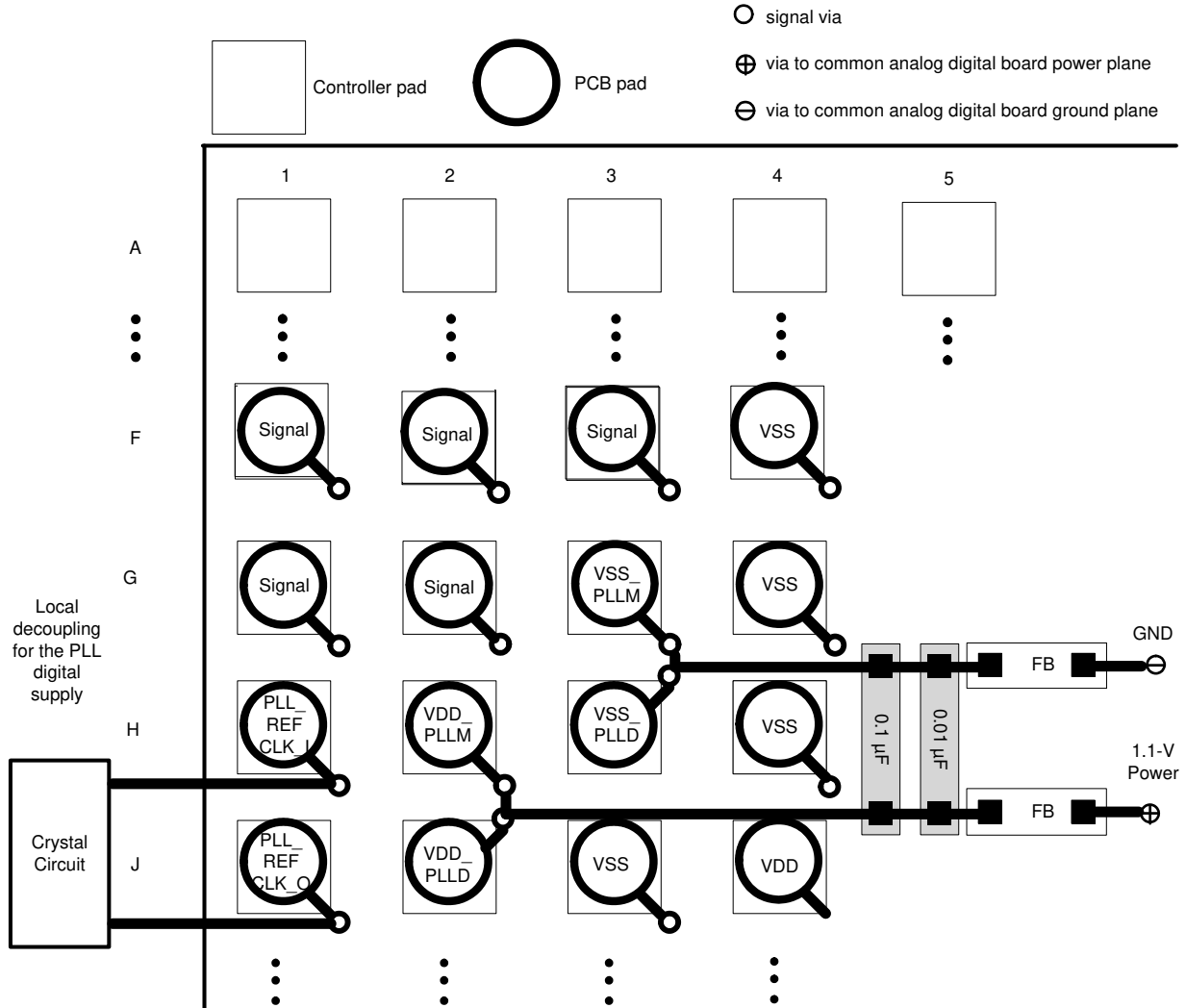
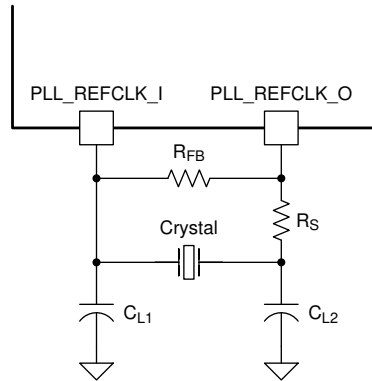


图 10-1. PLL Filter Layout

10.1.2 Reference Clock Layout

The DLPC34xx controller requires an external reference clock to feed the internal PLL. Use either a crystal or oscillator to supply this reference. The DLPC34xx reference clock must not exceed a frequency variation of ± 200 ppm (including aging, temperature, and trim component variation).

图 10-2 shows the required discrete components when using a crystal.



C_L = Crystal load capacitance (farads)

$C_{L1} = 2 \times (C_L - C_{stray_pll_refclk_i})$

$C_{L2} = 2 \times (C_L - C_{stray_pll_refclk_o})$

where:

- $C_{stray_pll_refclk_i}$ = Sum of package and PCB stray capacitance at the crystal pin associated with the controller pin pll_refclk_i .
- $C_{stray_pll_refclk_o}$ = Sum of package and PCB stray capacitance at the crystal pin associated with the controller pin pll_refclk_o .

图 10-2. Required Discrete Components

10.1.2.1 Recommended Crystal Oscillator Configuration

表 10-1. Crystal Port Characteristics

| PARAMETER | NOM | UNIT |
|---------------------------------|-----|------|
| PLL_REFCLK_I TO GND capacitance | 1.5 | pF |
| PLL_REFCLK_O TO GND capacitance | 1.5 | pF |

表 10-2. Recommended Crystal Configuration

| PARAMETER ^{(1) (2)} | RECOMMENDED | UNIT |
|---|---|------|
| Crystal circuit configuration | Parallel resonant | |
| Crystal type | Fundamental (first harmonic) | |
| Crystal nominal frequency | 24 | MHz |
| Crystal frequency tolerance (including accuracy, temperature, aging and trim sensitivity) | ±200 | PPM |
| Maximum startup time | 1.0 | ms |
| Crystal equivalent series resistance (ESR) | 120 (max) | Ω |
| Crystal load | 6 | pF |
| R_S drive resistor (nominal) | 100 | Ω |
| R_{FB} feedback resistor (nominal) | 1 | MΩ |
| C_{L1} external crystal load capacitor | See equation in 图 10-2 notes | pF |
| C_{L2} external crystal load capacitor | See equation in 图 10-2 notes | pF |
| PCB layout | A ground isolation ring around the crystal is recommended | |

(1) Temperature range of - 30°C to 85°C.

(2) The crystal bias is determined by the controllers VCC_INTF voltage rail, which is variable (not the VCC18 rail).

If an external oscillator is used, then the oscillator output must drive the PLL_REFCLK_I pin on the DLPC34xx controller, and the PLL_REFCLK_O pin must be left unconnected.

表 10-3. Recommended Crystal Parts

| MANUFACTURER (1) (2) | PART NUMBER | SPEED (MHz) | TEMPERATURE AND AGING (ppm) | MAXIMUM ESR (Ω) | LOAD CAPACITANCE (pF) | PACKAGE DIMENSIONS (mm) |
|-------------------------|--------------------------------|----------------|-----------------------------------|-----------------------------|-----------------------------|-------------------------------|
| KDS | DSX211G-24.000M-8pF-50-50 | 24 | ± 50 | 120 | 8 | 2.0 × 1.6 |
| Murata | XRCGB24M000F0L11R0 | 24 | ± 100 | 120 | 6 | 2.0 × 1.6 |
| NDK | NX2016SA 24M EXS00A-CS05733 | 24 | ± 145 | 120 | 6 | 2.0 × 1.6 |

- (1) The crystal devices in this table have been validated to work with the DLPC34xx controller. Other devices may also be compatible but have not necessarily been validated by TI.
- (2) Operating temperature range: -30°C to 85°C for all crystals.

10.1.3 Unused Pins

To avoid potentially damaging current caused by floating CMOS input-only pins, TI recommends tying unused controller input pins through a pullup resistor to its associated power supply or a pulldown resistor to ground. For controller inputs with internal pullup or pulldown resistors, it is unnecessary to add an external pullup or pulldown unless specifically recommended. Note that internal pullup and pulldown resistors are weak and should not be expected to drive an external device. The DLPC34xx controller implements very few internal resistors and are listed in the tables found in the *Pin Configuration and Functions* section. When external pullup or pulldown resistors are needed for pins that have weak pullup or pulldown resistors, choose a maximum resistance of $8\text{ k}\Omega$.

Never tie unused output-only pins directly to power or ground. Leave them open.

When possible, TI recommends that unused bidirectional I/O pins are configured to their output state such that the pin can remain open. If this control is not available and the pins may become an input, then include an appropriate pullup (or pulldown) resistor.

10.1.4 DMD Control and Sub-LVDS Signals

表 10-4. Maximum Pin-to-Pin PCB Interconnect Recommendations

| DMD BUS SIGNAL ^{(1) (2)} | SIGNAL INTERCONNECT TOPOLOGY | | UNIT |
|--------------------------------------|------------------------------------|-----------------------------------|------------|
| | SINGLE-BOARD SIGNAL ROUTING LENGTH | MULTI-BOARD SIGNAL ROUTING LENGTH | |
| DMD_HS_CLK_P DMD_HS_CLK_N | 6.0 (152.4) | See ⁽³⁾ | in (mm) |
| DMD_HS_WDATA_A_P DMD_HS_WDATA_A_N | 6.0 (152.4) | See ⁽³⁾ | in (mm) |
| DMD_HS_WDATA_B_P DMD_HS_WDATA_B_N | | | |
| DMD_HS_WDATA_C_P DMD_HS_WDATA_C_N | | | |
| DMD_HS_WDATA_D_P DMD_HS_WDATA_D_N | | | |
| DMD_HS_WDATA_E_P DMD_HS_WDATA_E_N | | | |
| DMD_HS_WDATA_F_P DMD_HS_WDATA_F_N | | | |
| DMD_HS_WDATA_G_P DMD_HS_WDATA_G_N | | | |
| DMD_HS_WDATA_H_P DMD_HS_WDATA_H_N | | | |
| DMD_LS_CLK | 6.5 (165.1) | See ⁽³⁾ | in (mm) |
| DMD_LS_WDATA | 6.5 (165.1) | See ⁽³⁾ | in (mm) |
| DMD_LS_RDATA | 6.5 (165.1) | See ⁽³⁾ | in (mm) |
| DMD_DEN_ARSTZ | 7.0 (177.8) | See ⁽³⁾ | in (mm) |

- (1) Maximum signal routing length includes escape routing.
- (2) Multi-board DMD routing length is more restricted due to the impact of the connector.
- (3) Due to PCB variations, these recommendations cannot be defined. Any board design should SPICE simulate with the controller IBIS model (found under the *Tools & Software* tab of the controller web page) to ensure routing lengths do not violate signal requirements.

表 10-5. High Speed PCB Signal Routing Matching Requirements

| SIGNAL GROUP LENGTH MATCHING ^{(1) (2) (3)} | | | | |
|---|--------------------------------------|------------------------------|-----------------------------|------------|
| INTERFACE | SIGNAL GROUP | REFERENCE SIGNAL | MAX MISMATCH ⁽⁴⁾ | UNIT |
| DMD ⁽⁵⁾ | DMD_HS_WDATA_A_P DMD_HS_WDATA_A_N | DMD_HS_CLK_P DMD_HS_CLK_N | ±1.0 (±25.4) | in (mm) |
| | DMD_HS_WDATA_B_P DMD_HS_WDATA_B_N | | | |
| | DMD_HS_WDATA_C_P DMD_HS_WDATA_C_N | | | |
| | DMD_HS_WDATA_D_P DMD_HS_WDATA_D_N | | | |
| | DMD_HS_WDATA_E_P DMD_HS_WDATA_E_N | | | |
| | DMD_HS_WDATA_F_P DMD_HS_WDATA_F_N | | | |
| | DMD_HS_WDATA_G_P DMD_HS_WDATA_G_N | | | |
| | DMD_HS_WDATA_H_P DMD_HS_WDATA_H_N | | | |
| DMD | DMD_HS_WDATA_x_P | DMD_HS_WDATA_x_N | ±0.025 (±0.635) | in (mm) |
| DMD | DMD_HS_CLK_P | DMD_HS_CLK_N | ±0.025 (±0.635) | in (mm) |
| DMD | DMD_LS_WDATA DMD_LS_RDATA | DMD_LS_CLK | ±0.2 (±5.08) | in (mm) |
| DMD | DMD_DEN_ARSTZ | N/A | N/A | in (mm) |

- (1) The length matching values apply to PCB routing lengths only. Internal package routing mismatch associated with the DLPC34xx controller or the DMD require no additional consideration.
- (2) Training is applied to DMD HS data lines. This is why the defined matching requirements are slightly relaxed compared to the LS data lines.
- (3) DMD LS signals are single ended.
- (4) Mismatch variance for a signal group is always with respect to the reference signal.
- (5) DMD HS data lines are differential, thus these specifications are pair-to-pair.

表 10-6. Signal Requirements

| PARAMETER | REFERENCE | REQUIREMENT |
|---------------------------|------------------|--|
| Source series termination | DMD_LS_WDATA | Required |
| | DMD_LS_CLK | Required |
| | DMD_DEN_ARSTZ | Acceptable |
| | DMD_LS_RDATA | Required |
| | DMD_HS_WDATA_x_y | Not acceptable |
| | DMD_HS_CLK_y | Not acceptable |
| Endpoint termination | DMD_LS_WDATA | Not acceptable |
| | DMD_LS_CLK | Not acceptable |
| | DMD_DEN_ARSTZ | Not acceptable |
| | DMD_LS_RDATA | Not acceptable |
| | DMD_HS_WDATA_x_y | Not acceptable |
| | DMD_HS_CLK_y | Not acceptable |
| PCB impedance | DMD_LS_WDATA | 68 Ω \pm 10% |
| | DMD_LS_CLK | 68 Ω \pm 10% |
| | DMD_DEN_ARSTZ | 68 Ω \pm 10% |
| | DMD_LS_RDATA | 68 Ω \pm 10% |
| | DMD_HS_WDATA_x_y | 100 Ω \pm 10% |
| | DMD_HS_CLK_y | 100 Ω \pm 10% |
| Signal type | DMD_LS_WDATA | SDR (single data rate) referenced to DMD_LS_DCLK |
| | DMD_LS_CLK | SDR referenced to DMD_LS_DCLK |
| | DMD_DEN_ARSTZ | SDR |
| | DMD_LS_RDATA | SDR referenced to DMD_LS_DCLK |
| | DMD_HS_WDATA_x_y | sub-LVDS |
| | DMD_HS_CLK_y | sub-LVDS |

10.1.5 Layer Changes

- Single-ended signals: Minimize the number of layer changes.
- Differential signals: Individual differential pairs can be routed on different layers. Ideally ensure that the signals of a given pair do not change layers.

10.1.6 Stubs

- Avoid using stubs.

10.1.7 Terminations

- DMD_HS differential signals require no external termination resistors.
- Make sure the DMD_LS_CLK and DMD_LS_WDATA signal paths include a 43- Ω series termination resistor located as close as possible to the corresponding controller pins.
- Make sure the DMD_LS_RDATA signal path includes a 43- Ω series termination resistor located as close as possible to the corresponding DMD pin.
- The DMD_DEN_ARSTZ pin requires no series resistor.

10.1.8 Routing Vias

- The number of vias on DMD_HS signals must be minimized and ideally not exceed two.
- Any and all vias on DMD_HS signals must be located as close to the controller as possible.
- The number of vias on the DMD_LS_CLK and DMD_LS_WDATA signals must be minimized and ideally not exceed two.
- Any and all vias on the DMD_LS_CLK and DMD_LS_WDATA signals must be located as close to the controller as possible.

10.1.9 Thermal Considerations

The underlying thermal limitation for the DLPC34xx controller is that the maximum operating junction temperature (T_J) not be exceeded (this is defined in the *Recommended Operating Conditions* section).

Some factors that influence T_J are as follows:

- operating ambient temperature
- airflow
- PCB design (including the component layout density and the amount of copper used)
- power dissipation of the DLPC34xx controller
- power dissipation of surrounding components

The controller package is designed to primarily extract heat through the power and ground planes of the PCB. Thus, copper content and airflow over the PCB are important factors.

The recommended maximum operating ambient temperature (T_A) is provided primarily as a design target and is based on maximum DLPC34xx controller power dissipation and $R_{\theta JA}$ at 0 m/s of forced airflow, where $R_{\theta JA}$ is the thermal resistance of the package as measured using a JEDEC defined standard test PCB with two, 1-oz power planes. This JEDEC test PCB is not necessarily representative of the DLPC34xx controller PCB, so the reported thermal resistance may not be accurate in the actual product application. Although the actual thermal resistance may be different, it is the best information available during the design phase to estimate thermal performance. TI highly recommended that thermal performance be measured and validated after the PCB is designed and the application is built.

To evaluate the thermal performance, measure the top center case temperature under the worse case product scenario (maximum power dissipation, maximum voltage, maximum ambient temperature), and validate the controller does not exceed the maximum recommended case temperature (T_C). This specification is based on the measured ϕ_{JT} for the DLPC34xx controller package and provides a relatively accurate correlation to junction temperature.

Take care when measuring this case temperature to prevent accidental cooling of the package surface. TI recommends a small (approximately 40 gauge) thermocouple. Place the bead and thermocouple wire so that they contact the top of the package. Cover the bead and thermocouple wire with a minimal amount of thermally conductive epoxy. Route the wires closely along the package and the board surface to avoid cooling the bead through the wires.

10.2 Layout Example

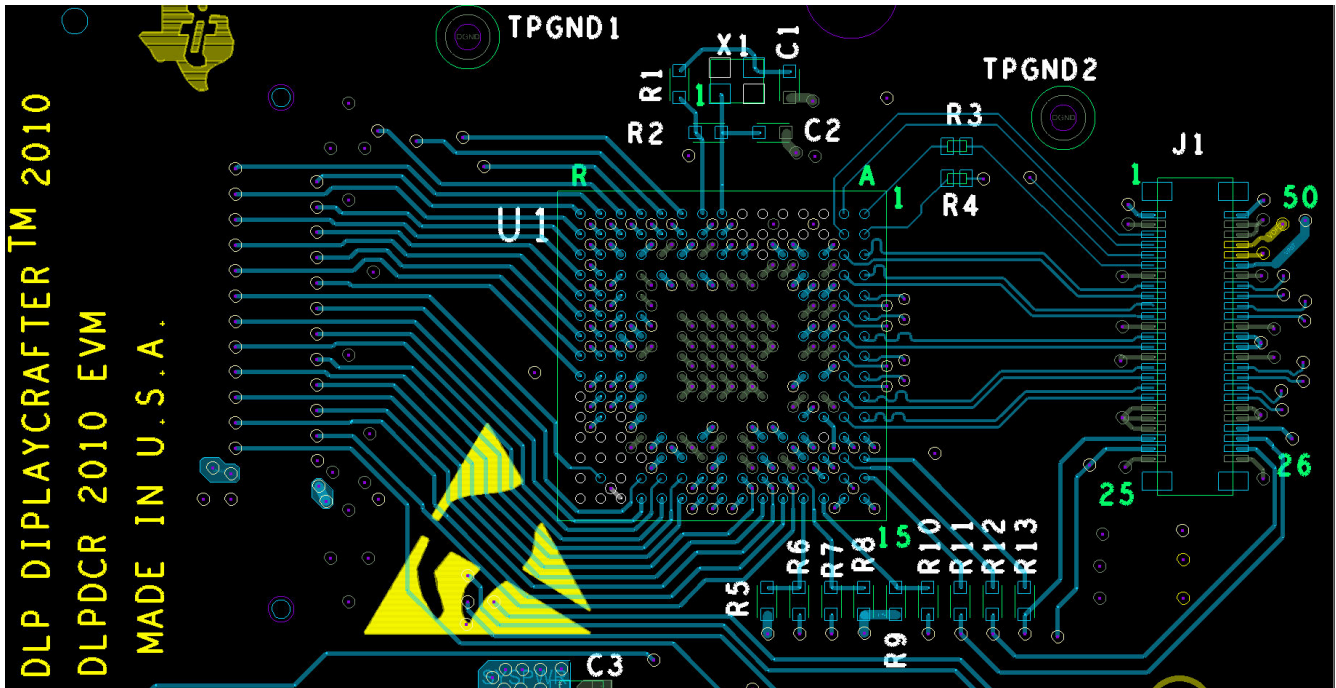


图 10-3. Layout Recommendation

11 Device and Documentation Support

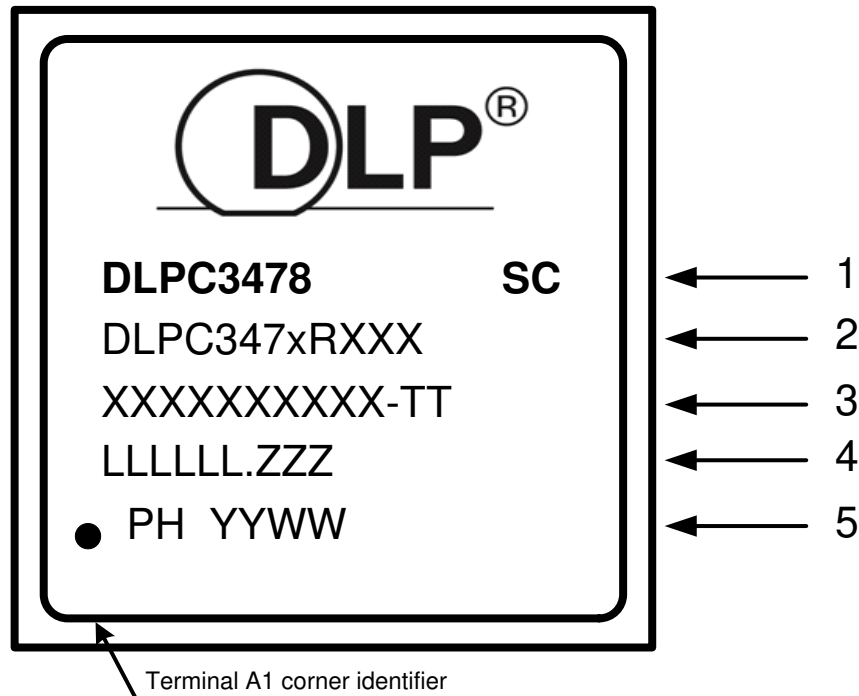
11.1 Device Support

11.1.1 第三方产品免责声明

TI 发布的与第三方产品或服务有关的信息，不能构成与此类产品或服务或保修的适用性有关的认可，不能构成此类产品或服务单独或与任何 TI 产品或服务一起的表示或认可。

11.1.2 Device Nomenclature

11.1.2.1 Device Markings



Marking Definitions:

- Line 1: DLP® Device Name: DLPC3478 device name ID.
SC: Solder ball composition
e1: Indicates lead-free solder balls consisting of SnAgCu
G8: Indicates lead-free solder balls consisting of tin-silver-copper (SnAgCu) with silver content less than or equal to 1.5% and that the mold compound meets TI's definition of green.
- Line 2: TI Part Number
DLP® Device Name: DLPC347x = x indicates 8 device name ID.
R corresponds to the TI device revision letter for example A, B or C
XXX corresponds to the device package designator.
- Line 3: XXXXXXXXXXXX-TT Manufacturer part number
- Line 4: LLLLLL.ZZZ Foundry lot code for semiconductor wafers and lead-free solder ball marking
LLLLLL: Fab lot number
ZZZ: Lot split number
- Line 5: PH YYWW: Package assembly information
PH: Manufacturing site
YYWW: Date code (YY = Year :: WW = Week)

Note

1. Engineering prototype samples are marked with an **X** suffix appended to the TI part number. For example, 2512737-0001X.
2. See , for DLPC347x resolutions on the DMD supported per part number.

11.1.3 Video Timing Parameter Definitions

See 图 11-1 for a visual description.

Active Lines Per Frame (ALPF) Defines the number of lines in a frame containing displayable data. ALPF is a subset of the TLPF.

Active Pixels Per Line (APPL) Defines the number of pixel clocks in a line containing displayable data. APPL is a subset of the TPPL.

Horizontal Back Porch (HBP) Blanking Defines the number of blank pixel clocks after the active edge of horizontal sync but before the first active pixel.

Horizontal Front Porch (HFP) Blanking Defines the number of blank pixel clocks after the last active pixel but before horizontal sync.

Horizontal Sync (HS or Hsync) Timing reference point that defines the start of each horizontal interval (line). The active edge of the HS signal defines the absolute reference point. The active edge (either rising or falling edge as defined by the source) is the reference from which all horizontal blanking parameters are measured.

Total Lines Per Frame (TLPF) Total number of active and inactive lines per frame; defines the vertical period (or frame time).

Total Pixel Per Line (TPPL) Total number of active and inactive pixel clocks per line; defines the horizontal line period in pixel clocks.

Vertical Sync (VS or Vsync) Timing reference point that defines the start of the vertical interval (frame). The absolute reference point is defined by the active edge of the VS signal. The active edge (either rising or falling edge as defined by the source) is the reference from which all vertical blanking parameters are measured.

Vertical Back Porch (VBP) Blanking Defines the number of blank lines after the active edge of vertical sync but before the first active line.

Vertical Front Porch (VFP) Blanking Defines the number of blank lines after the last active line but before the active edge of vertical sync.

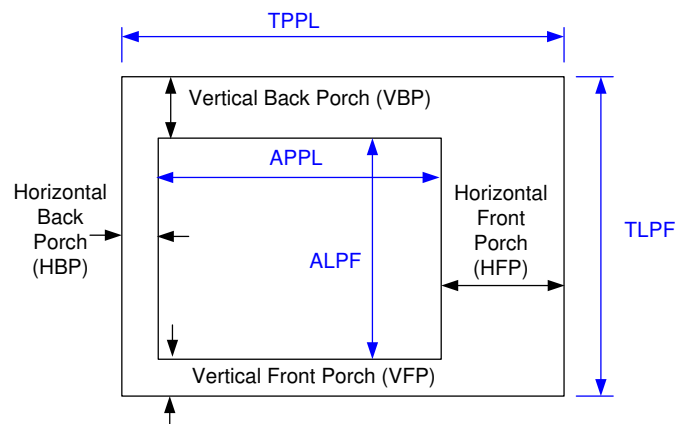


图 11-1. Parameter Definitions

11.2 Documentation Support

11.2.1 Related Documentation

The following table lists quick access links for associated parts of the DLP chipset.

表 11-1. Chipset Documentation

| PARTS | PRODUCT FOLDER | SAMPLE & BUY | TECHNICAL DOCUMENTS | TOOLS & SOFTWARE |
|-----------|----------------------------|----------------------------|----------------------------|----------------------------|
| DLPA2000 | Click here | Click here | Click here | Click here |
| DLPA2005 | Click here | Click here | Click here | Click here |
| DLPA3000 | Click here | Click here | Click here | Click here |
| DLPA3005 | Click here | Click here | Click here | Click here |
| DLP3010LC | Click here | Click here | Click here | Click here |

11.3 接收文档更新通知

要接收文档更新通知，请导航至 ti.com 上的器件产品文件夹。点击 [订阅更新](#) 进行注册，即可每周接收产品信息更改摘要。有关更改的详细信息，请查看任何已修订文档中包含的修订历史记录。

11.4 支持资源

[TI E2E™ 支持论坛](#) 是工程师的重要参考资料，可直接从专家获得快速、经过验证的解答和设计帮助。搜索现有解答或提出自己的问题可获得所需的快速设计帮助。

链接的内容由各个贡献者“按原样”提供。这些内容并不构成 TI 技术规范，并且不一定反映 TI 的观点；请参阅 TI 的 [《使用条款》](#)。

11.5 Trademarks

IntelliBright™, ™, Link™ are trademarks of Texas Instruments.

TI E2E™ is a trademark of Texas Instruments.

®, IntelliBright®, and DLP® are registered trademarks of Texas Instruments.

Arm® and Cortex® are registered trademarks of Arm Limited (or its subsidiaries) in the US and/or elsewhere.

所有商标均为其各自所有者的财产。

11.6 静电放电警告



静电放电 (ESD) 会损坏这个集成电路。德州仪器 (TI) 建议通过适当的预防措施处理所有集成电路。如果不遵守正确的处理和安装程序，可能会损坏集成电路。

ESD 的损坏小至导致微小的性能降级，大至整个器件故障。精密的集成电路可能更容易受到损坏，这是因为非常细微的参数更改都可能会导致器件与其发布的规格不相符。


11.7 术语表

[TI 术语表](#) 本术语表列出并解释了术语、首字母缩略词和定义。

12 Mechanical, Packaging, and Orderable Information

The following pages include mechanical, packaging, and orderable information. This information is the most current data available for the designated devices. This data is subject to change without notice and revision of this document. For browser-based versions of this data sheet, refer to the left-hand navigation.

PACKAGING INFORMATION

| Orderable Device | Status (1) | Package Type | Package Drawing | Pins | Package Qty | Eco Plan (2) | Lead finish/ Ball material (6) | MSL Peak Temp (3) | Op Temp (°C) | Device Marking (4/5) | Samples |
|------------------|---------------|--------------|-----------------|------|-------------|-----------------|--------------------------------------|----------------------|--------------|---|---|
| DLPC3478CZEZ | ACTIVE | NFBGA | ZEZ | 201 | 119 | RoHS & Green | SNAGCU | Level-3-260C-168Hrs | -30 to 85 | (DLPC3478 G8, DLP C3478 G8) DLPC3478CZEZ ECP292548C-8G |  |

(1) The marketing status values are defined as follows:

ACTIVE: Product device recommended for new designs.

LIFEBUY: TI has announced that the device will be discontinued, and a lifetime-buy period is in effect.

NRND: Not recommended for new designs. Device is in production to support existing customers, but TI does not recommend using this part in a new design.

PREVIEW: Device has been announced but is not in production. Samples may or may not be available.

OBSELETE: TI has discontinued the production of the device.

(2) **RoHS:** TI defines "RoHS" to mean semiconductor products that are compliant with the current EU RoHS requirements for all 10 RoHS substances, including the requirement that RoHS substance do not exceed 0.1% by weight in homogeneous materials. Where designed to be soldered at high temperatures, "RoHS" products are suitable for use in specified lead-free processes. TI may reference these types of products as "Pb-Free".

RoHS Exempt: TI defines "RoHS Exempt" to mean products that contain lead but are compliant with EU RoHS pursuant to a specific EU RoHS exemption.

Green: TI defines "Green" to mean the content of Chlorine (Cl) and Bromine (Br) based flame retardants meet JS709B low halogen requirements of <=1000ppm threshold. Antimony trioxide based flame retardants must also meet the <=1000ppm threshold requirement.

(3) MSL, Peak Temp. - The Moisture Sensitivity Level rating according to the JEDEC industry standard classifications, and peak solder temperature.

(4) There may be additional marking, which relates to the logo, the lot trace code information, or the environmental category on the device.

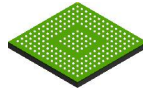
(5) Multiple Device Markings will be inside parentheses. Only one Device Marking contained in parentheses and separated by a "~" will appear on a device. If a line is indented then it is a continuation of the previous line and the two combined represent the entire Device Marking for that device.

(6) Lead finish/Ball material - Orderable Devices may have multiple material finish options. Finish options are separated by a vertical ruled line. Lead finish/Ball material values may wrap to two lines if the finish value exceeds the maximum column width.

Important Information and Disclaimer:The information provided on this page represents TI's knowledge and belief as of the date that it is provided. TI bases its knowledge and belief on information provided by third parties, and makes no representation or warranty as to the accuracy of such information. Efforts are underway to better integrate information from third parties. TI has taken and continues to take reasonable steps to provide representative and accurate information but may not have conducted destructive testing or chemical analysis on incoming materials and chemicals. TI and TI suppliers consider certain information to be proprietary, and thus CAS numbers and other limited information may not be available for release.

In no event shall TI's liability arising out of such information exceed the total purchase price of the TI part(s) at issue in this document sold by TI to Customer on an annual basis.

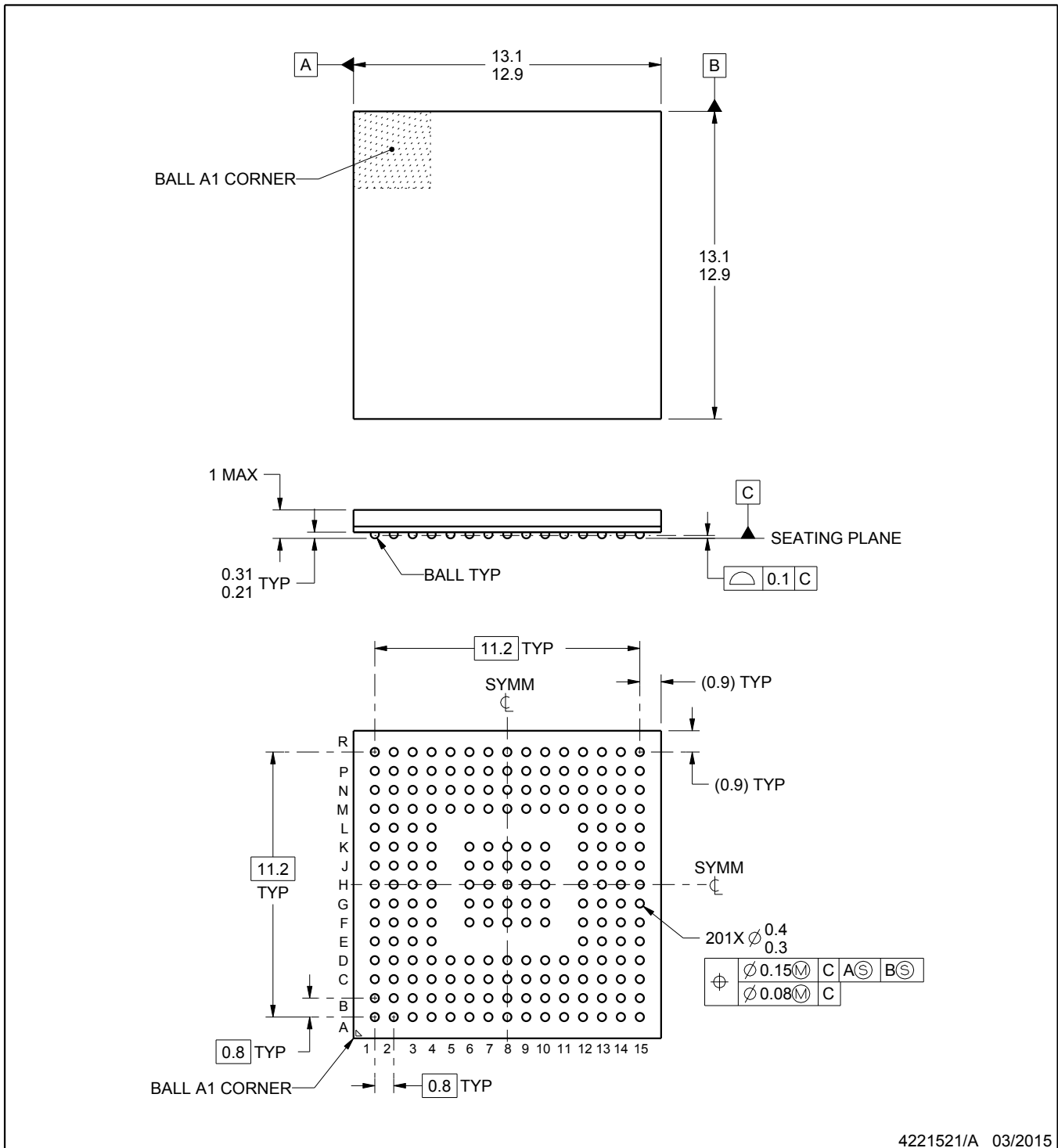
ZEZ0201A



PACKAGE OUTLINE

NFBGA - 1 mm max height

PLASTIC BALL GRID ARRAY



4221521/A 03/2015

NOTES:

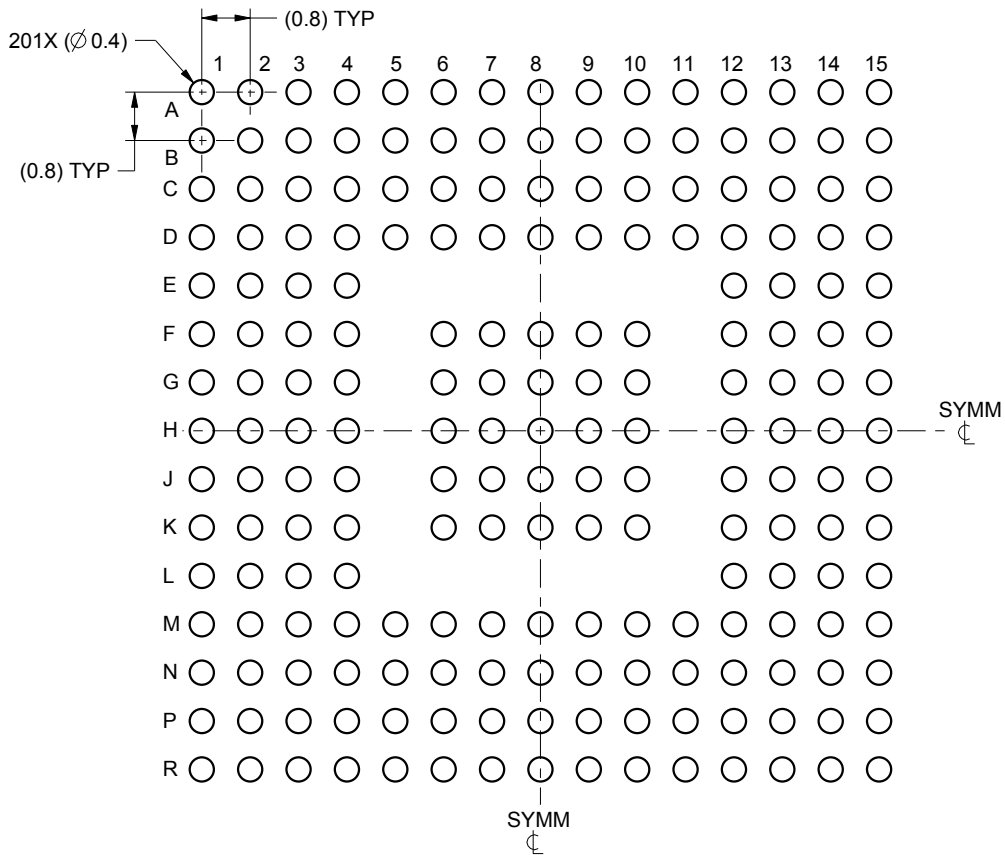
1. All linear dimensions are in millimeters. Any dimensions in parenthesis are for reference only. Dimensioning and tolerancing per ASME Y14.5M.
2. This drawing is subject to change without notice.

EXAMPLE BOARD LAYOUT

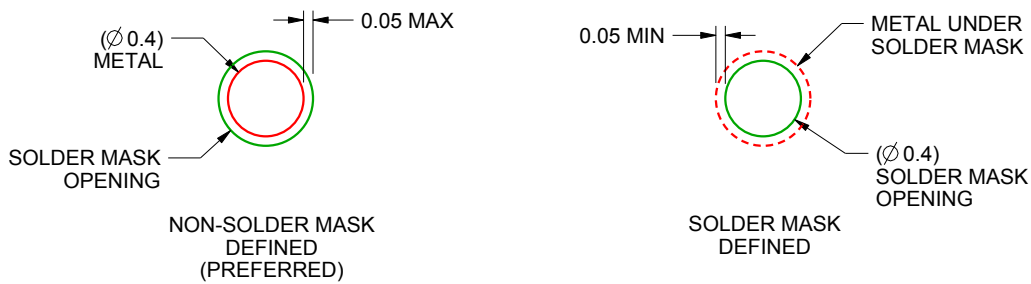
ZEZ0201A

NFBGA - 1 mm max height

PLASTIC BALL GRID ARRAY



LAND PATTERN EXAMPLE
SCALE:8X



SOLDER MASK DETAILS
NOT TO SCALE

4221521/A 03/2015

NOTES: (continued)

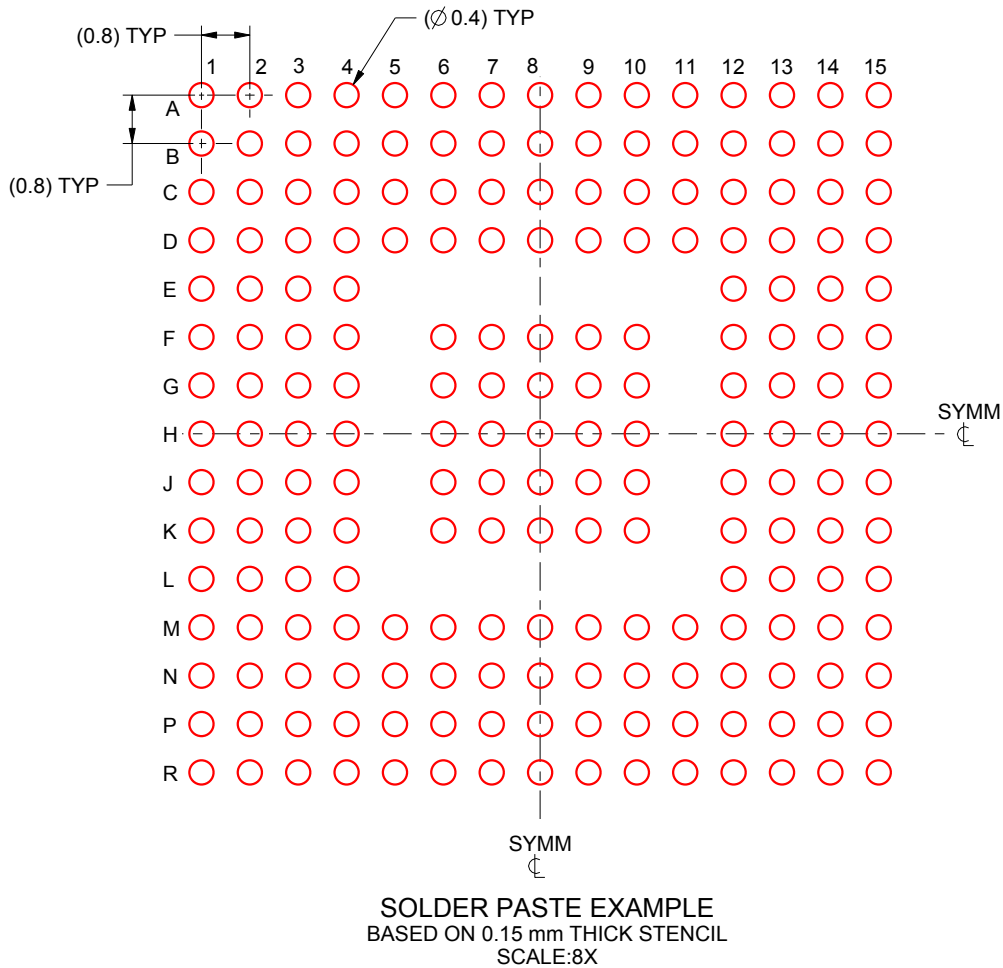
- Final dimensions may vary due to manufacturing tolerance considerations and also routing constraints. For information, see Texas Instruments literature number SPRAA99 (www.ti.com/lit/spraa99).

EXAMPLE STENCIL DESIGN

ZEZ0201A

NFBGA - 1 mm max height

PLASTIC BALL GRID ARRAY



4221521/A 03/2015

NOTES: (continued)

4. Laser cutting apertures with trapezoidal walls and rounded corners may offer better paste release.

重要声明和免责声明

TI“按原样”提供技术和可靠性数据（包括数据表）、设计资源（包括参考设计）、应用或其他设计建议、网络工具、安全信息和其他资源，不保证没有瑕疵且不做任何明示或暗示的担保，包括但不限于对适销性、某特定用途方面的适用性或不侵犯任何第三方知识产权的暗示担保。

这些资源可供使用 TI 产品进行设计的熟练开发人员使用。您将自行承担以下全部责任：(1) 针对您的应用选择合适的 TI 产品，(2) 设计、验证并测试您的应用，(3) 确保您的应用满足相应标准以及任何其他功能安全、信息安全、监管或其他要求。

这些资源如有变更，恕不另行通知。TI 授权您仅可将这些资源用于研发本资源所述的 TI 产品的应用。严禁对这些资源进行其他复制或展示。您无权使用任何其他 TI 知识产权或任何第三方知识产权。您应全额赔偿因在这些资源的使用中对 TI 及其代表造成的任何索赔、损害、成本、损失和债务，TI 对此概不负责。

TI 提供的产品受 [TI 的销售条款](#) 或 [ti.com](#) 上其他适用条款/TI 产品随附的其他适用条款的约束。TI 提供这些资源并不会扩展或以其他方式更改 TI 针对 TI 产品发布的适用的担保或担保免责声明。

TI 反对并拒绝您可能提出的任何其他或不同的条款。

邮寄地址：Texas Instruments, Post Office Box 655303, Dallas, Texas 75265

Copyright © 2022，德州仪器 (TI) 公司