

低噪声、900kHz、轨至轨输入/输出 (RRIO)、 高精度运算放大器 零漂移系列

 查询样品: [OPA378](#), [OPA2378](#)

特性

- 低噪声
 - $0.4\mu\text{V}_{\text{pp}}$, 0.1Hz 至 10Hz
 - $20\text{nV}/\sqrt{\text{Hz}}$ (在 1kHz 频率下)
- 零漂移系列
 - 低偏移电压: $20\mu\text{V}$
 - 低失调漂移: $0.1\mu\text{V}/^\circ\text{C}$
- 静态电流: $125\mu\text{A}$
- 增益带宽: **900kHz**
- 轨至轨输入/输出
- EMI 滤波
- 电源电压: **2.2 V 至 5.5V**
- **microSIZE** 封装: **SC70** 和 **SOT23**

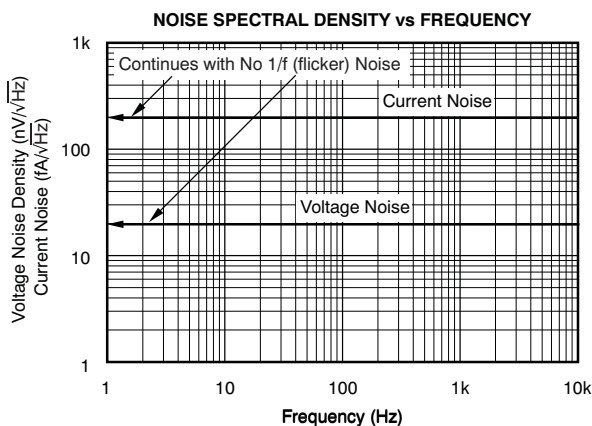
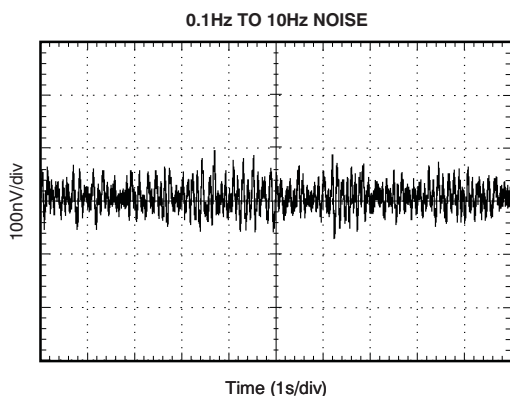
应用

- 便携式医疗设备
 - 血糖仪
 - 血氧测定
 - 心率监测仪
- 衡器
- 电池供电型仪器
- 热电堆模块
- 手持测试设备
- 传感器信号调节

说明

OPA378 和 OPA2378 代表了一个新的零漂移、microPOWER™ 运算放大器系列，它们采用了一种专有的自动校准技术，旨在提供最小的输入失调电压 ($20\mu\text{V}$) 和失调电压漂移 ($0.1\mu\text{V}/^\circ\text{C}$)。由于兼具低输入电压噪声、高增益带宽 (900kHz) 和低功耗 (最大值为 $150\mu\text{A}$)，因而使得这些器件能够实现面向低功耗高精度应用的最优性能。此外，卓越的 PSRR 性能与 2.2V 至 5.5V 的宽输入电源范围及轨至轨输入和输出相结合，还使其成为直接从电池供电运行 (不进行稳压) 的单电源应用的绝佳选择。

OPA378 (单通道器件) 采用 *microSIZE* SC70-5 和 SOT23-5 封装。OPA2378 (双通道器件) 则可提供 SOT23-8 封装。所有器件版本的规定工作温度范围均为 -40°C 至 $+125^\circ\text{C}$



Please be aware that an important notice concerning availability, standard warranty, and use in critical applications of Texas Instruments semiconductor products and disclaimers thereto appears at the end of this data sheet.

microPOWER is a trademark of Texas Instruments Incorporated.
All other trademarks are the property of their respective owners.



This integrated circuit can be damaged by ESD. Texas Instruments recommends that all integrated circuits be handled with appropriate precautions. Failure to observe proper handling and installation procedures can cause damage.

ESD damage can range from subtle performance degradation to complete device failure. Precision integrated circuits may be more susceptible to damage because very small parametric changes could cause the device not to meet its published specifications.

PACKAGE INFORMATION⁽¹⁾

PRODUCT	PACKAGE-LEAD	PACKAGE DESIGNATOR	PACKAGE MARKING
OPA378	SOT23-5	DBV	OAZI
OPA378	SC70-5	DCK	BTS
OPA2378	SOT23-8	DCN	OCAI

(1) For the most current package and ordering information, see the Package Option Addendum at the end of this document, or see the TI web site at www.ti.com.

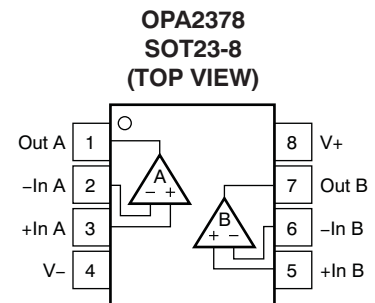
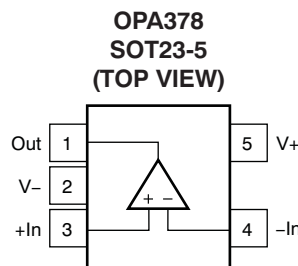
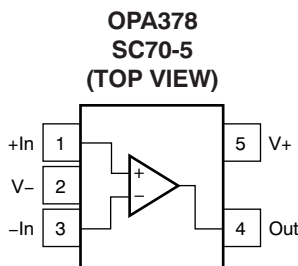
ABSOLUTE MAXIMUM RATINGS⁽¹⁾

Over operating free-air temperature range (unless otherwise noted).

		OPA378, OPA2378	UNIT
Supply Voltage, $V_S = (V+) - (V-)$		+7	V
Signal Input Terminals	Voltage ⁽²⁾	$(V-) - 0.3 \leq V_{IN} \leq (V+) + 0.3$	V
	Current ⁽²⁾	± 10	mA
Output Short-Circuit ⁽³⁾		Continuous	
Operating Temperature, T_A		-55 to +150	°C
Storage Temperature, T_A		-65 to +150	°C
Junction Temperature, T_J		+150	°C
ESD Ratings	Human Body Model (HBM)	4000	V
	Charged Device Model (CDM)	1000	V
	Machine Model (MM)	200	V

- (1) Stresses above these ratings may cause permanent damage. Exposure to absolute maximum conditions for extended periods may degrade device reliability. These are stress ratings only, and functional operation of the device at these or any other conditions beyond those specified is not supported.
- (2) Input terminals are diode-clamped to the power-supply rails. Input signals that can swing more than 0.3V beyond the supply rails should be current limited to 10mA or less.
- (3) Short-circuit to ground, one amplifier per package.

PIN CONFIGURATIONS



ELECTRICAL CHARACTERISTICS: $V_S = +2.2V$ to $+5.5V$
Boldface limits apply over the specified temperature range, $T_A = -40^\circ\text{C}$ to $+125^\circ\text{C}$.

 At $T_A = +25^\circ\text{C}$, $R_L = 10\text{k}\Omega$ connected to $V_S/2$, $V_{CM} = V_S/2$, and $V_{OUT} = V_S/2$, unless otherwise noted.

PARAMETER	TEST CONDITIONS	OPA378, OPA2378			UNIT
		MIN	TYP	MAX	
OFFSET VOLTAGE					
Input Offset Voltage, OPA378	V_{OS}		20	50	μV
vs Temperature	dV_{OS}/dT		0.1	0.25	$\mu\text{V}/^\circ\text{C}$
Input Offset Voltage, OPA2378			20	70	μV
vs Temperature	dV_{OS}/dT		0.25	0.4	$\mu\text{V}/^\circ\text{C}$
vs Power Supply, OPA378	PSRR	$V_{CM} = 0V, V_S = +2.2V$ to $+5.5V$	1.5	5	$\mu\text{V}/V$
over Temperature		$V_{CM} = 0V, V_S = +2.2V$ to $+5.5V$	3	8	$\mu\text{V}/V$
vs Power Supply, OPA2378		$V_{CM} = 0V, V_S = +2.2V$ to $+5.5V$		10	$\mu\text{V}/V$
over Temperature		$V_{CM} = 0V, V_S = +2.2V$ to $+5.5V$	3	13	$\mu\text{V}/V$
Channel Separation (Dual Version)	At dc		135		dB
INPUT BIAS CURRENT					
Input Bias Current, OPA378	I_B		± 150	± 550	pA
Input Bias Current, OPA2378			± 150	± 670	pA
over Temperature, OPA378 and OPA2378				± 2	nA
Input Offset Current, OPA378	I_{OS}		± 0.3	± 1.1	nA
Input Offset Current, OPA2378			± 0.3	± 1.34	nA
NOISE					
Input Voltage Noise	e_n	$f = 0.1\text{Hz}$ to $10\text{Hz}, V_S = +5.5V$	0.4		μV_{PP}
Input Voltage Noise Density	e_n	$f = 1\text{kHz}$	20		$\text{nV}/\sqrt{\text{Hz}}$
Input Current Noise	i_n	$f = 10\text{Hz}$	200		$\text{fA}/\sqrt{\text{Hz}}$
INPUT VOLTAGE RANGE					
Common-Mode Voltage Range	V_{CM}		$(V-) - 0.05$	$(V+) + 0.05$	V
Common-Mode Rejection Ratio	CMRR	$(V-) - 0.05V < V_{CM} < (V+) + 0.05V, V_S = 5.5V$	100	112	dB
		$(V-) - 0.05V < V_{CM} < (V+) + 0.05V, V_S = 2.2V$	94	106	dB
over Temperature		$(V-) - 0.05V < V_{CM} < (V+) + 0.05V, V_S = 5.5V$	96		dB
		$(V-) - 0.05V < V_{CM} < (V+) + 0.05V, V_S = 2.2V$	90		dB
INPUT CAPACITANCE					
Differential	C_{IN}		4		pF
Common-Mode			5		pF
OPEN-LOOP GAIN					
Open-Loop Voltage Gain	A_{OL}	$50\text{mV} < V_O < (V+) - 50\text{mV}, R_L = 100\text{k}\Omega$	110	134	dB
		$100\text{mV} < V_O < (V+) - 100\text{mV}, R_L = 10\text{k}\Omega$	110	130	dB
over Temperature		$100\text{mV} < V_O < (V+) - 100\text{mV}, R_L = 10\text{k}\Omega$	106		dB
FREQUENCY RESPONSE					
Gain-Bandwidth Product	GBW		900		kHz
Slew Rate	SR	$G = +1$	0.4		$\text{V}/\mu\text{s}$
Settling Time 0.1%	t_s	$V_S = 5.5V, 2V$ Step, $G = +1$	7		μs
Settling Time 0.01%	t_s	$V_S = 5.5V, 2V$ Step, $G = +1$	9		μs
Overload Recovery Time		$V_{IN} \times \text{Gain} > V_S$	4		μs
THD + Noise	THD + N	$V_S = 5V, V_O = 3V_{PP}, G = +1, f = 1\text{kHz}$	0.003		%

ELECTRICAL CHARACTERISTICS: $V_S = +2.2V$ to $+5.5V$ (continued)

Boldface limits apply over the specified temperature range, $T_A = -40^{\circ}C$ to $+125^{\circ}C$.

At $T_A = +25^{\circ}C$, $R_L = 10k\Omega$ connected to $V_S/2$, $V_{CM} = V_S/2$, and $V_{OUT} = V_S/2$, unless otherwise noted.

PARAMETER	TEST CONDITIONS	OPA378, OPA2378			UNIT
		MIN	TYP	MAX	
OUTPUT					
Voltage Output Swing from Rail, OPA378	V_O	$R_L = 10k\Omega$	6	8	mV
over Temperature		$R_L = 10k\Omega$	8	13	mV
Voltage Output Swing from Rail, OPA2378	V_O	$R_L = 10k\Omega$	6	10	mV
over Temperature		$R_L = 10k\Omega$	8	15	mV
Voltage Output Swing from Rail		$R_L = 100k\Omega$	0.7	2	mV
over Temperature		$R_L = 100k\Omega$		3	mV
Short-Circuit Current	I_{SC}		± 30		mA
Capacitive Load Drive	C_{LOAD}		See Figure 18		pF
Open-Loop Output Impedance	Z_O		See Figure 23		Ω
POWER SUPPLY					
Specified Voltage Range	V_S		2.2	5.5	V
Quiescent Current (per Amplifier)	I_Q	$I_O = 0mA, V_S = +5.5V$		125	μA
over Temperature				165	μA
TEMPERATURE RANGE					
Specified Range			-40	+125	$^{\circ}C$
Operating Range			-55	+150	$^{\circ}C$
Thermal Resistance	θ_{JA}				$^{\circ}C/W$
SOT23-5				200	$^{\circ}C/W$
SC70-5				250	$^{\circ}C/W$
SOT23-8				100	$^{\circ}C/W$

TYPICAL CHARACTERISTICS

At $T_A = +25^\circ\text{C}$, $R_L = 10\text{k}\Omega$, $V_S = +5.5\text{V}$ and $V_{OUT} = V_S/2$, unless otherwise noted.

0.1Hz TO 10Hz NOISE

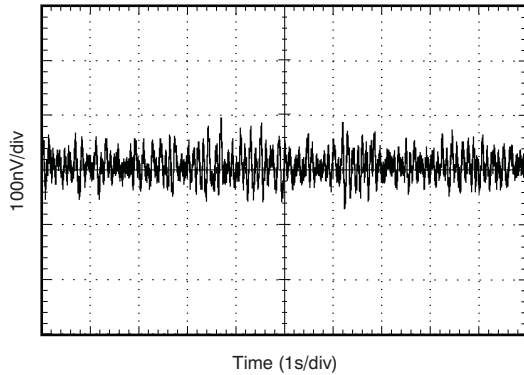


Figure 1.

INPUT CURRENT AND VOLTAGE NOISE SPECTRAL DENSITY vs FREQUENCY

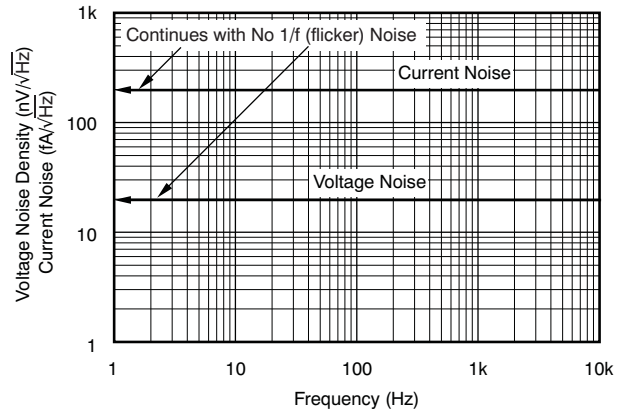


Figure 2.

OFFSET VOLTAGE PRODUCTION DISTRIBUTION

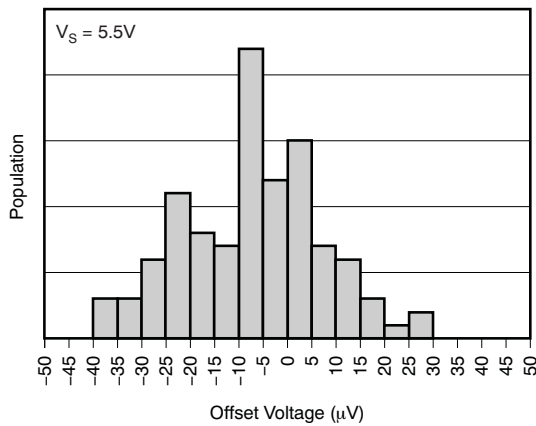


Figure 3.

OFFSET VOLTAGE DRIFT DISTRIBUTION

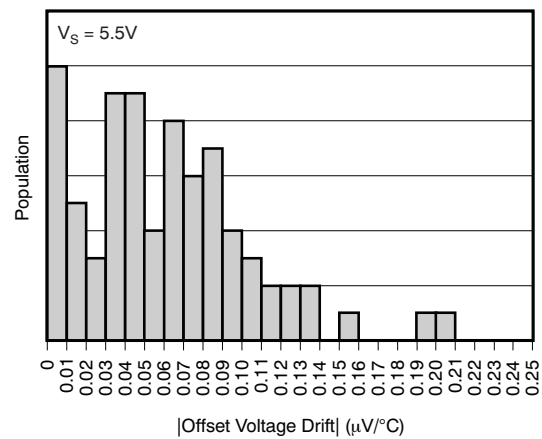


Figure 4.

OFFSET VOLTAGE vs TEMPERATURE

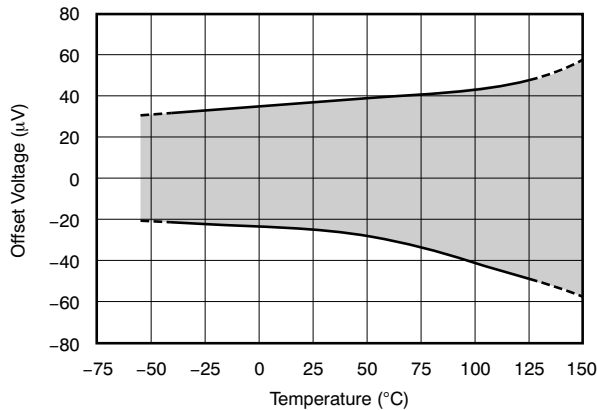


Figure 5.

POWER-SUPPLY REJECTION RATIO vs FREQUENCY

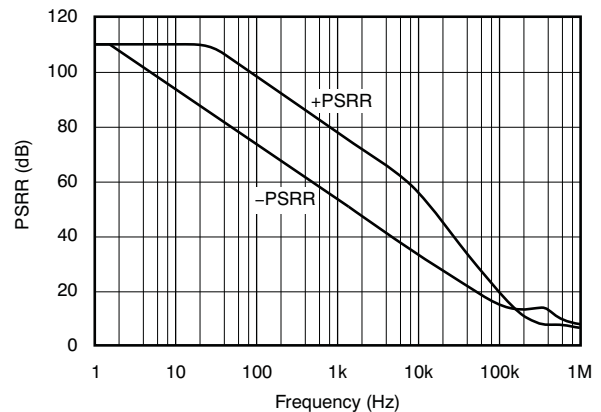


Figure 6.

TYPICAL CHARACTERISTICS (continued)

At $T_A = +25^\circ\text{C}$, $R_L = 10\text{k}\Omega$, $V_S = +5.5\text{V}$ and $V_{OUT} = V_S/2$, unless otherwise noted.

OPEN-LOOP GAIN AND PHASE vs FREQUENCY

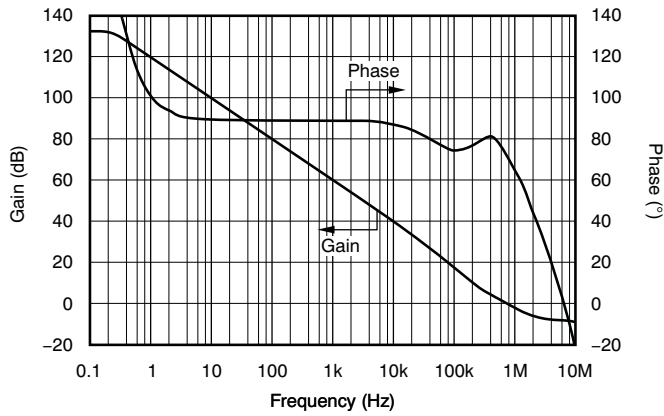


Figure 7.

OPEN-LOOP GAIN vs TEMPERATURE

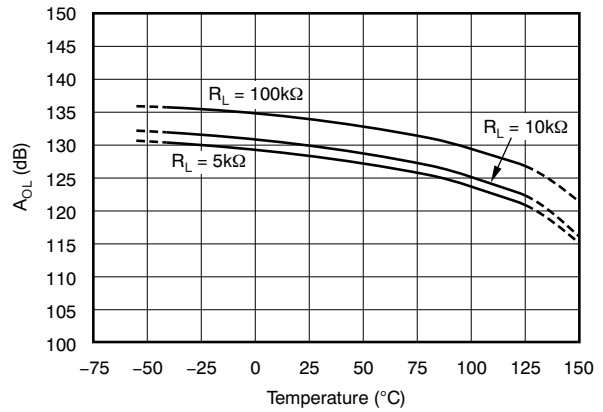


Figure 8.

COMMON-MODE REJECTION RATIO vs FREQUENCY

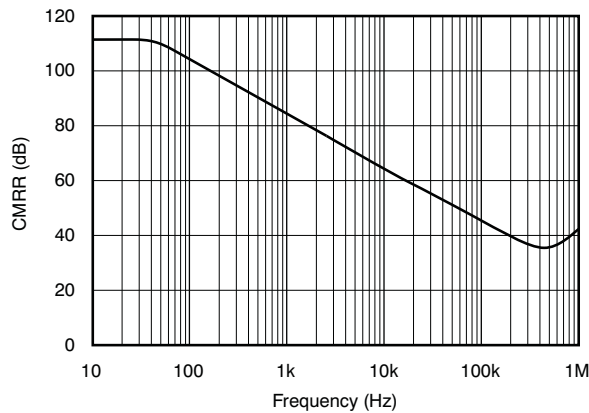


Figure 9.

COMMON-MODE REJECTION RATIO AND POWER-SUPPLY REJECTION RATIO vs TEMPERATURE

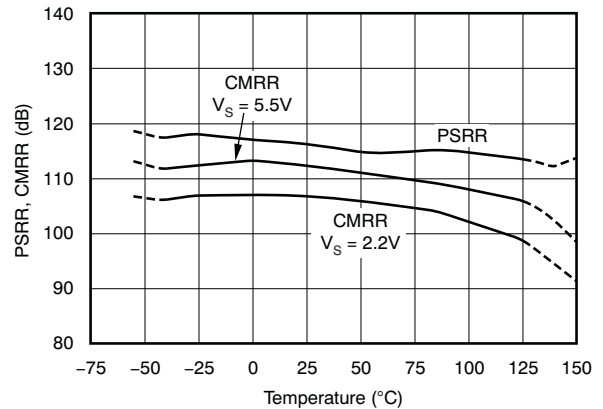


Figure 10.

INPUT BIAS CURRENT vs INPUT COMMON-MODE VOLTAGE

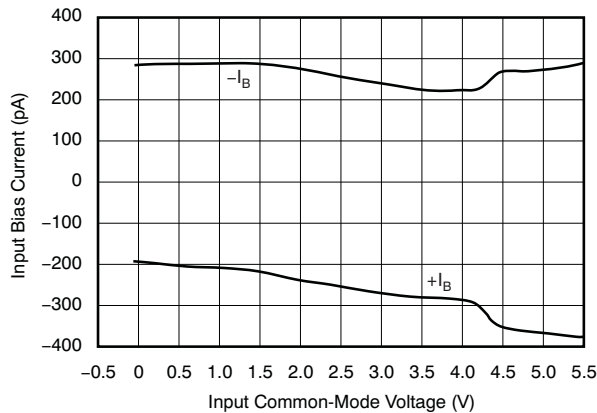


Figure 11.

INPUT BIAS CURRENT vs TEMPERATURE

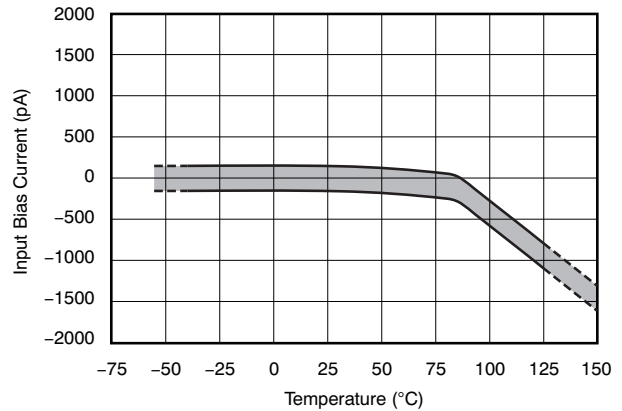


Figure 12.

TYPICAL CHARACTERISTICS (continued)

At $T_A = +25^\circ\text{C}$, $R_L = 10\text{k}\Omega$, $V_S = +5.5\text{V}$ and $V_{OUT} = V_S/2$, unless otherwise noted.

QUIESCENT CURRENT vs SUPPLY VOLTAGE

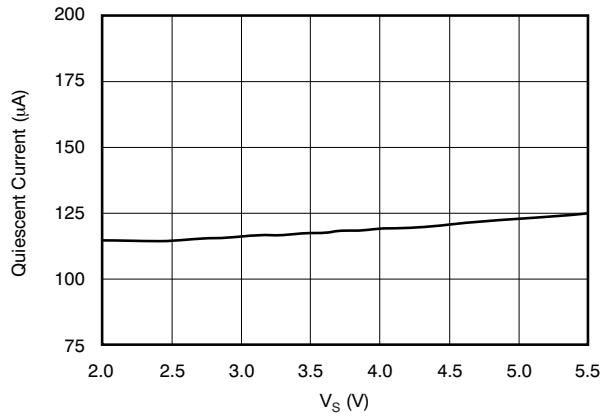


Figure 13.

QUIESCENT CURRENT vs TEMPERATURE

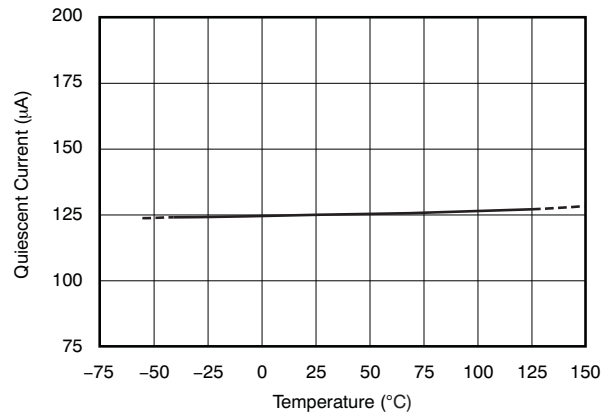


Figure 14.

OUTPUT VOLTAGE SWING vs OUTPUT CURRENT

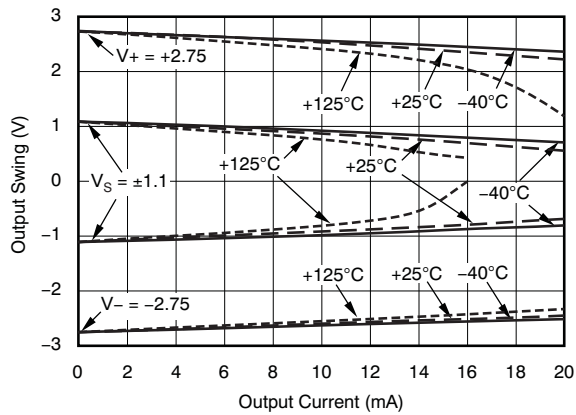


Figure 15.

MAXIMUM OUTPUT VOLTAGE vs FREQUENCY

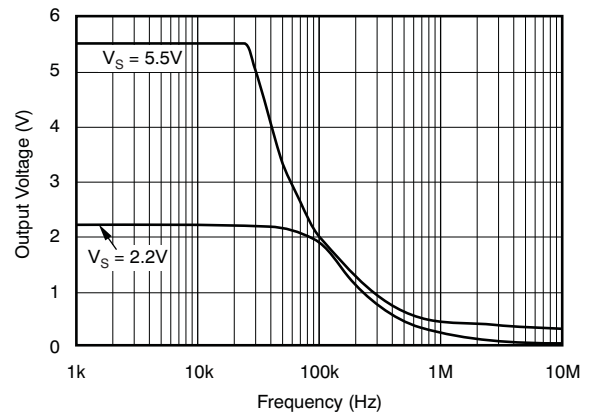


Figure 16.

TOTAL HARMONIC DISTORTION + NOISE vs FREQUENCY

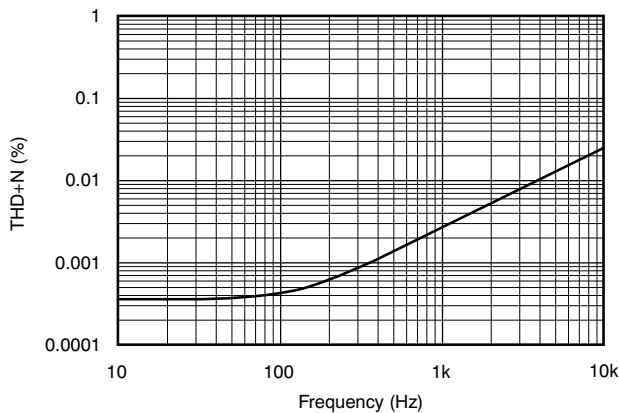


Figure 17.

SMALL-SIGNAL OVERSHOOT vs LOAD CAPACITANCE

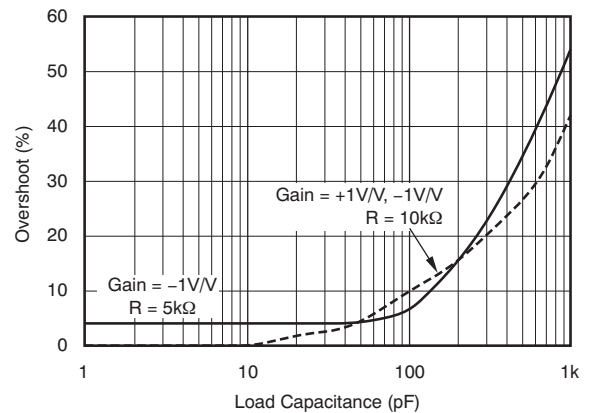


Figure 18.

TYPICAL CHARACTERISTICS (continued)

At $T_A = +25^\circ\text{C}$, $R_L = 10\text{k}\Omega$, $V_S = +5.5\text{V}$ and $V_{OUT} = V_S/2$, unless otherwise noted.

POSITIVE OVER-VOLTAGE RECOVERY

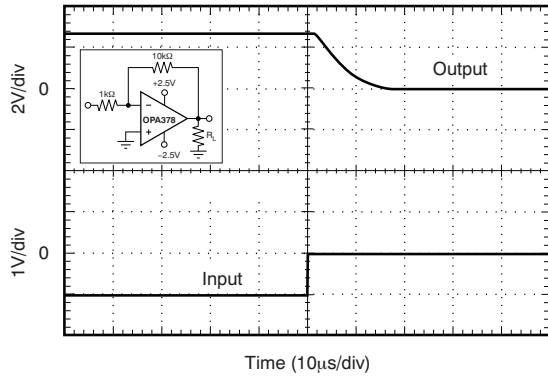


Figure 19.

NEGATIVE OVER-VOLTAGE RECOVERY

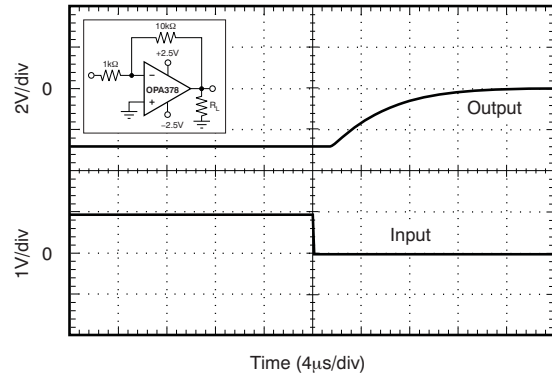


Figure 20.

SMALL-SIGNAL STEP RESPONSE

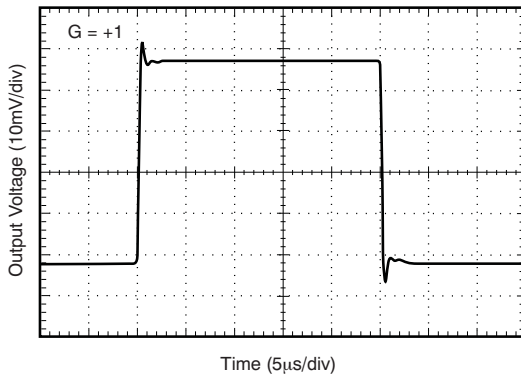


Figure 21.

LARGE-SIGNAL STEP RESPONSE

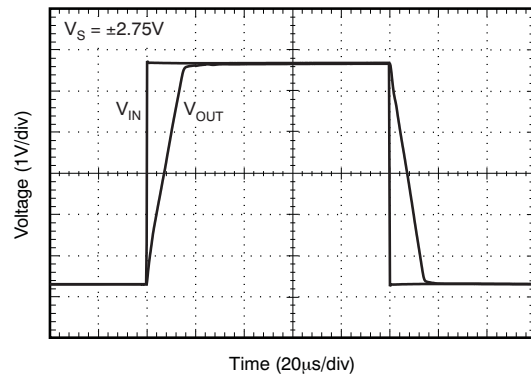


Figure 22.

OPEN-LOOP OUTPUT IMPEDANCE vs FREQUENCY

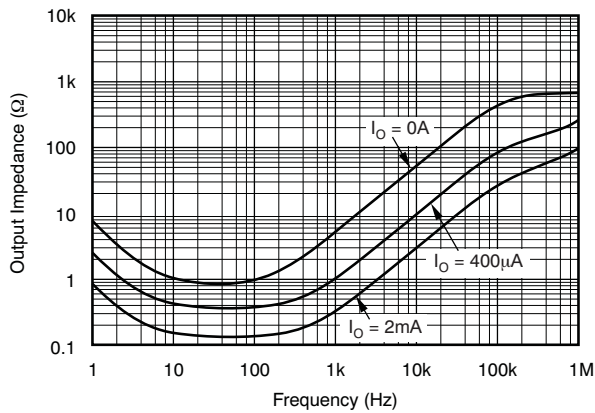


Figure 23.

INPUT BIAS CURRENT vs INPUT DIFFERENTIAL VOLTAGE

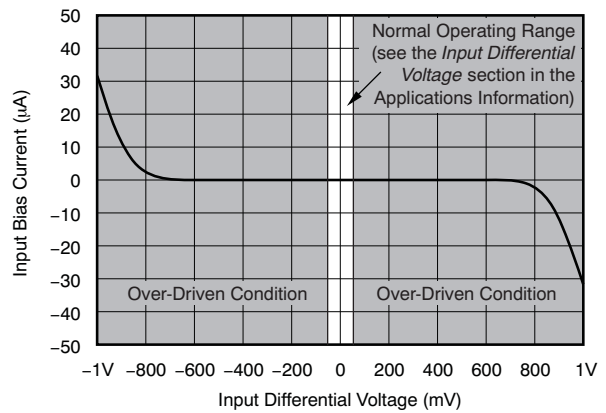


Figure 24.

TYPICAL CHARACTERISTICS (continued)

At $T_A = +25^\circ\text{C}$, $R_L = 10\text{k}\Omega$, $V_S = +5.5\text{V}$ and $V_{OUT} = V_S/2$, unless otherwise noted.

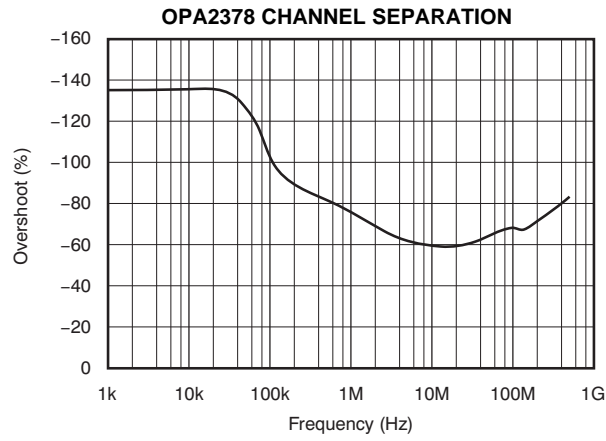


Figure 25.

APPLICATIONS INFORMATION

The OPA378 and OPA2378 are unity-gain stable, precision operational amplifiers that are free from phase reversal. The use of proprietary Zero-Drift circuitry gives the benefit of low input offset voltage over time and temperature as well as lowering the 1/f noise component. This design provides the optimization of gain, noise, and power, making the OPA378 series one of the best performers in this bandwidth range. As a result of the high PSRR, this device works well in applications that run directly from battery power without regulation. They are optimized for low-voltage, single-supply operation. These miniature, high-precision, low quiescent current amplifiers offer high-impedance inputs that have a common-mode range 100mV beyond the supplies, excellent CMRR, and a rail-to-rail output that swings within 10mV of the supplies. This design results in superior performance for driving analog-to-digital converters (ADCs) without degradation of differential linearity.

OPERATING VOLTAGE

The OPA378 and OPA2378 can be used with single or dual supplies from an operating range of $V_S = +2.2V$ ($\pm 1.1V$) and up to $V_S = +5.5V$ ($\pm 2.75V$). This device does not require symmetrical supplies, only a differential supply voltage of 2.2V to 5.5V. A power-supply rejection ratio of $1.5\mu V/V$ (typical) ensures that the device functions with an unregulated battery source. Supply voltages higher than +7V can permanently damage the device; see the [Absolute Maximum Ratings](#) table. Key parameters are assured over the specified temperature range, $T_A = -40^\circ C$ to $+125^\circ C$. Parameters that vary over the supply voltage or temperature range are shown in the [Typical Characteristics](#) section of this data sheet.

INPUT VOLTAGE

The OPA378 and OPA2378 input common-mode voltage range extends 0.05V beyond the supply rails. The OPA378 achieves a common-mode rejection ratio of 112dB (typical) over the common-mode voltage range. [Figure 26](#) shows the variation of offset voltage over the entire specified common-mode range for 10 typical units.

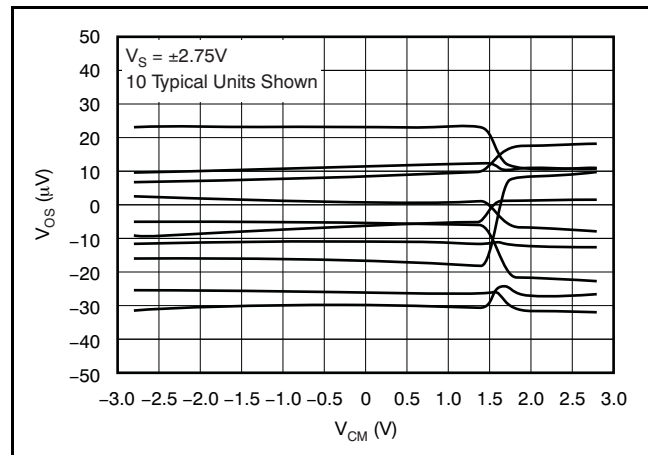


Figure 26. Offset Voltage versus Common-Mode Voltage

Normally, input bias current is about 150pA; however, input voltages exceeding the power supplies can cause excessive current to flow into or out of the input pins. Momentary voltages greater than the power supply can be tolerated if the input current is limited to 10mA. This limitation is easily accomplished with an input resistor, as [Figure 27](#) shows.

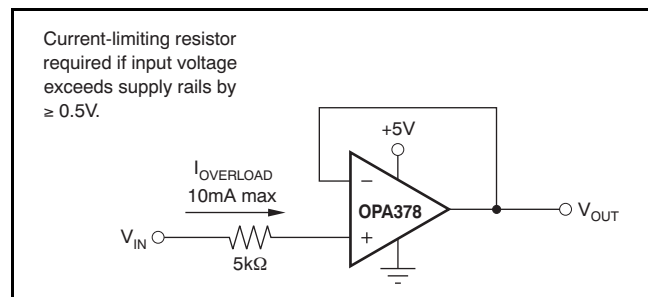


Figure 27. Input Current Protection

INPUT DIFFERENTIAL VOLTAGE

The typical input bias current of the OPA378 during normal operation is approximately 150pA. In over-driven conditions, the bias current can increase significantly (see Figure 24). The most common cause of an over-driven condition occurs when the op amp is outside of the linear range of operation. When the output of the op amp is driven to one of the supply rails the feedback loop requirements cannot be satisfied and a differential input voltage develops across the input pins. This differential input voltage results in activation of parasitic diodes inside the front end input chopping switches that combine with 1.5kΩ EMI filter resistors to create the equivalent circuit shown in Figure 28.

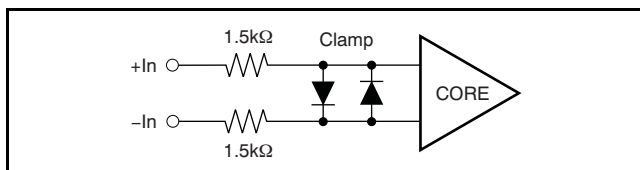


Figure 28. Equivalent Input Circuit

INTERNAL OFFSET CORRECTION

The OPA378 and OPA2378 family of op amps use an auto-calibration technique with a time-continuous 350kHz op amp in the signal path. This amplifier is zero-corrected every 3μs using a proprietary technique. Upon power-up, the amplifier requires approximately 100μs to achieve specified V_{OS} accuracy. This architecture has no aliasing or flicker noise.

NOISE

The OPA378 series of op amps have excellent distortion characteristics. Total harmonic distortion + noise is below 0.003% ($G = +1$, $V_O = 3V_{RMS}$, and $f = 1kHz$, with a 10kΩ load). Design of low-noise op amp circuits requires careful consideration of a variety of possible noise contributors: noise from the signal source, noise generated in the op amp, and noise from the feedback network resistors. The total noise of the circuit is the root-sum-square combination of all the noise components.

EMI SUSCEPTIBILITY AND INPUT FILTERING

Operational amplifiers vary in their susceptibility to electromagnetic interference (EMI). If conducted EMI enters the operational amplifier, the dc offset observed at the amplifier output may shift from its nominal value while the EMI is present. This shift is a result of signal rectification associated with the internal semiconductor junctions. While all operational amplifier pin functions can be affected by EMI, the input pins are likely to be the most susceptible. The

OPA378 operational amplifier family incorporates an internal input low-pass filter that reduces the amplifier response to EMI. Both common-mode and differential-mode filtering are provided by the input filter. The filter is designed for a cutoff frequency of approximately 25MHz (–3dB), with a roll-off of 20dB per decade. Figure 29 shows the EMI filter.

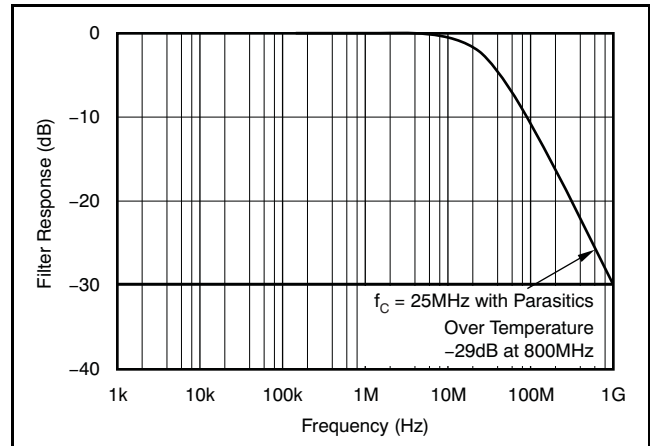


Figure 29. EMI Filter

GENERAL LAYOUT GUIDELINES

Attention to good layout practices is always recommended. Keep traces short and, when possible, use a printed circuit board (PCB) ground plane with surface-mount components placed as close to the device pins as possible. Place a 0.1μF capacitor closely across the supply pins. These guidelines should be applied throughout the analog circuit to improve performance.

For lowest offset voltage and precision performance, circuit layout and mechanical conditions should be optimized. Avoid temperature gradients that create thermoelectric (Seebeck) effects in the thermocouple junctions formed from connecting dissimilar conductors. These thermally-generated potentials can be made to cancel by assuring they are equal on both input terminals. Other layout and design considerations include:

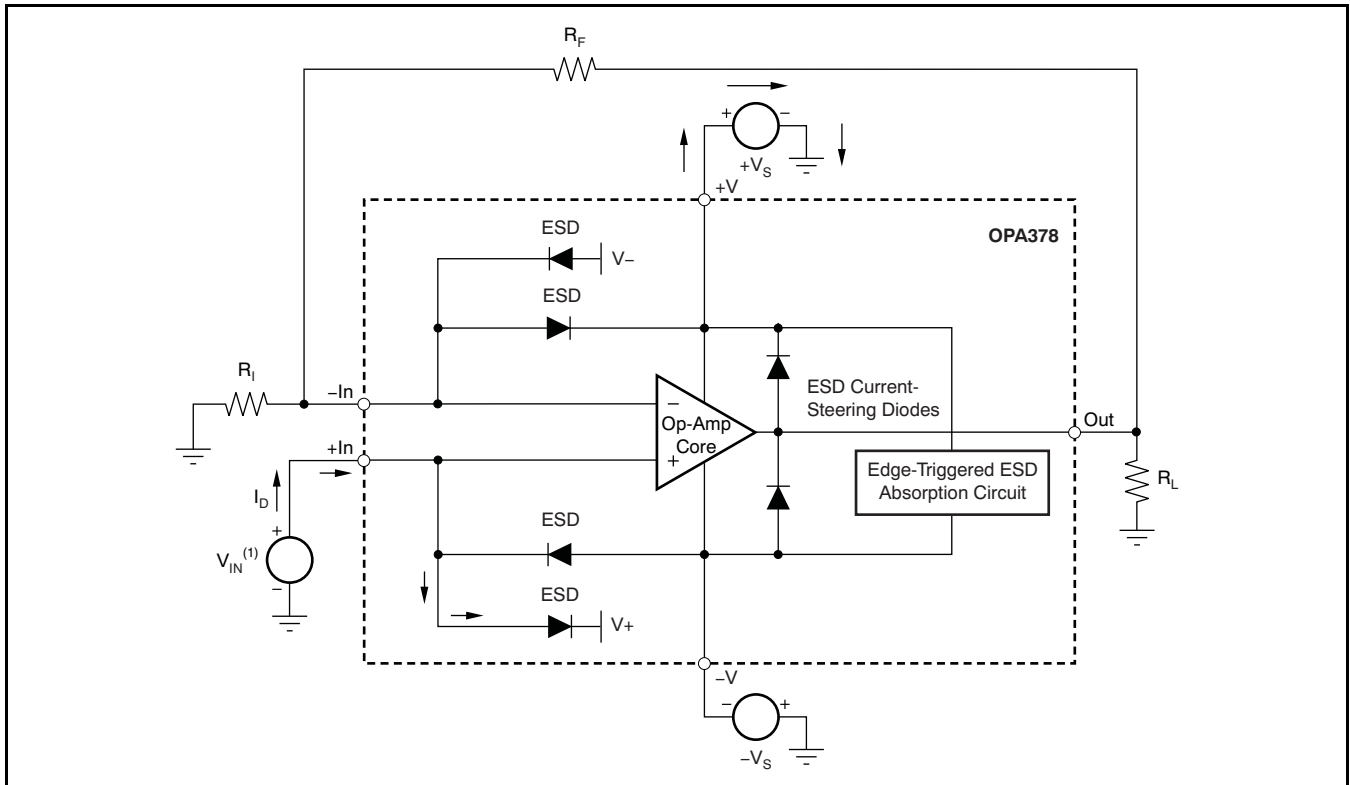
- Use low thermoelectric-coefficient conditions (avoid dissimilar metals).
- Thermally isolate components from power supplies or other heat sources.
- Shield op amp and input circuitry from air currents, such as cooling fans.

Following these guidelines reduces the likelihood of junctions being at different temperatures, which can cause thermoelectric voltages of 0.1μV/°C or higher, depending on materials used.

ELECTRICAL OVERSTRESS

Designers often ask questions about the capability of an operational amplifier to withstand electrical overstress. These questions tend to focus on the device inputs, but may involve the supply voltage pins or even the output pin. Each of these different pin functions have electrical stress limits determined by the voltage breakdown characteristics of the particular semiconductor fabrication process and specific circuits connected to the pin. Additionally, internal electrostatic discharge (ESD) protection is built into these circuits to protect them from accidental ESD events both before and during product assembly.

It is helpful to have a good understanding of this basic ESD circuitry and its relevance to an electrical overstress event. Figure 30 shows the ESD circuits contained in the OPA378 (indicated by the dashed line area). The ESD protection circuitry involves several current-steering diodes connected from the input and output pins and routed back to the internal power-supply lines, where they meet at an absorption device internal to the operational amplifier. This protection circuitry is intended to remain inactive during normal circuit operation.



(1) $V_{IN} = +V_S + 500\text{mV}$.

Figure 30. Equivalent Internal ESD Circuitry and Its Relation to a Typical Circuit Application

An ESD event produces a short duration, high-voltage pulse that is transformed into a short duration, high-current pulse as it discharges through a semiconductor device. The ESD protection circuits are designed to provide a current path around the operational amplifier core to prevent it from being damaged. The energy absorbed by the protection circuitry is then dissipated as heat.

When an ESD voltage develops across two or more of the amplifier device pins, current flows through one or more of the steering diodes. Depending on the path that the current takes, the absorption device may activate. The absorption device has a trigger, or threshold voltage, that is above the normal operating voltage of the OPA378 but below the device breakdown voltage level. Once this threshold is exceeded, the absorption device quickly activates and clamps the voltage across the supply rails to a safe level.

When the operational amplifier connects into a circuit such as that illustrated in Figure 30, the ESD protection components are intended to remain inactive and not become involved in the application circuit operation. However, circumstances may arise where an applied voltage exceeds the operating voltage range of a given pin. Should this condition occur, there is a risk that some of the internal ESD protection circuits may be biased on, and conduct current. Any such current flow occurs through steering diode paths and rarely involves the absorption device.

Figure 30 depicts a specific example where the input voltage, V_{IN} , exceeds the positive supply voltage ($+V_S$) by 300mV or more. Much of what happens in the circuit depends on the supply characteristics. If $+V_S$ can sink the current, one of the upper input steering diodes conducts and directs current to $+V_S$. Excessively high current levels can flow with increasingly higher V_{IN} . As a result, the datasheet specifications recommend that applications limit the input current to 10mA.

If the supply is not capable of sinking the current, V_{IN} may begin sourcing current to the operational amplifier, and then take over as the source of positive supply voltage. The danger in this case is that the voltage can rise to levels that exceed the operational amplifier absolute maximum ratings. In extreme but rare cases, the absorption device triggers on while $+V_S$ and $-V_S$ are applied. If this event happens, a direct current path is established between the $+V_S$ and $-V_S$ supplies. The power dissipation of the absorption device is quickly exceeded, and the extreme internal heating destroys the operational amplifier.

Another common question involves what happens to the amplifier if an input signal is applied to the input while the power supplies $+V_S$ and/or $-V_S$ are at 0V. Again, it depends on the supply characteristic while at 0V, or at a level below the input signal amplitude. If the supplies appear as high impedance, then the operational amplifier supply current may be supplied by the input source via the current steering diodes. This state is not a normal bias condition; the amplifier most likely will not operate normally. If the supplies are low impedance, then the current through the steering diodes can become quite high. The current level depends on the ability of the input source to deliver current, and any resistance in the input path.

APPLICATION IDEAS

Figure 31 shows the basic configuration for a bridge amplifier.

A low-side current shunt monitor is shown in Figure 32. R_N are optional resistors used to isolate the ADS8325 from the noise of the digital two-wire bus. Because the ADS8325 is a 16-bit converter, a precise reference is essential for maximum accuracy. If absolute accuracy is not required, and the 5V power supply is sufficiently stable, the REF3330 may be omitted.

Figure 33 shows a high-side current monitor. The load current develops a voltage drop across R_{SHUNT} . The noninverting input monitors this voltage and is duplicated on the inverting input. R_G then has the same voltage drop as R_{SHUNT} . R_G can be sized to provide whatever current is most convenient to the designer based on design constraints. The current from R_G then flows through the MOSFET and to resistor R_L , creating a voltage that can be read. Note that R_L and R_G set the voltage gain of the circuit.

The supply voltage for the op amp is derived from the zener diode. For the OPA378 V_S must be between 2.2V and 5.5V. Two possible methods to bias the zener are shown in the circuit of Figure 33: the customary resistor bias and the current monitor. The current monitor biasing achieves the lowest possible voltage. Resistor R_1 and the diode on the noninverting input provide short-circuit protection.

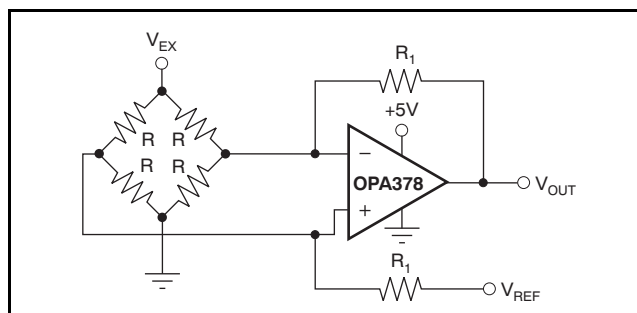
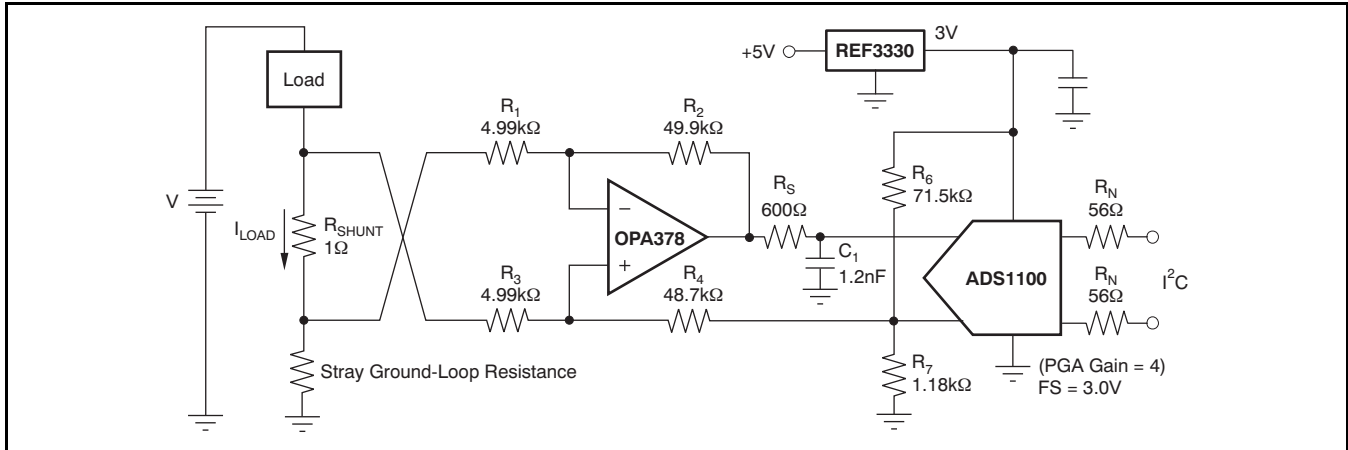
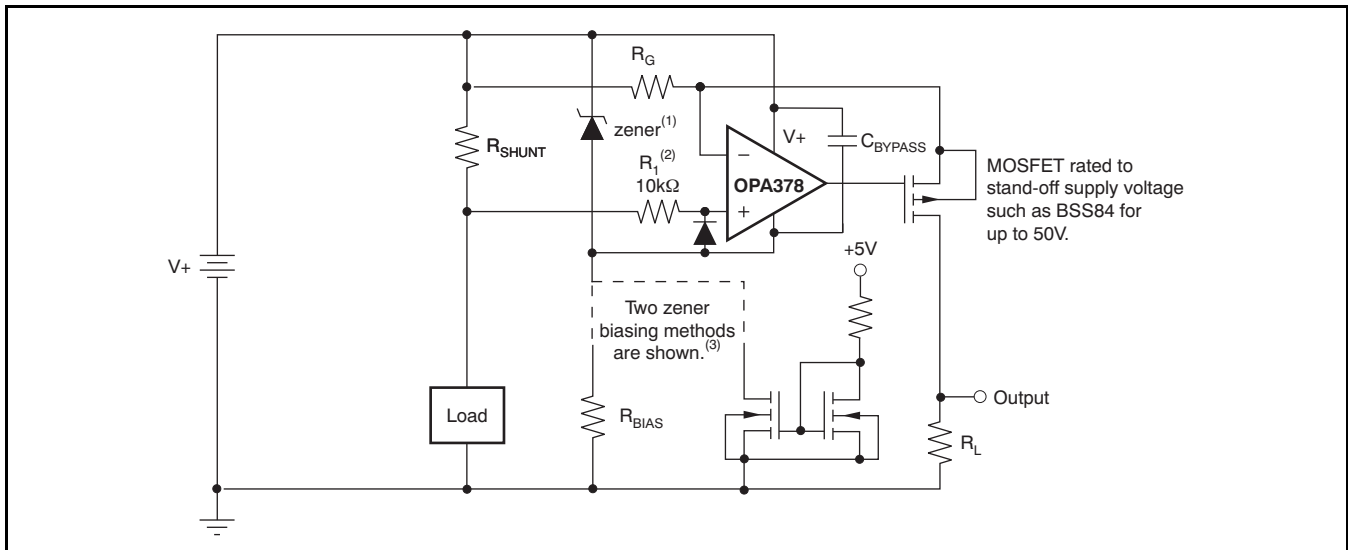


Figure 31. Single Op Amp Bridge Amplifier



NOTE: 1% resistors provide adequate common-mode rejection at small ground-loop errors.

Figure 32. Low-Side Current Monitor



(1) Zener rated for op amp supply capability (that is, 5.1V for the OPA378).

(2) Current-limiting resistor.

(3) Choose zener biasing resistor or dual NMOSFETs (2N7002, NTZD511ON, SM6K2T110).

Figure 33. High-Side Current Monitor

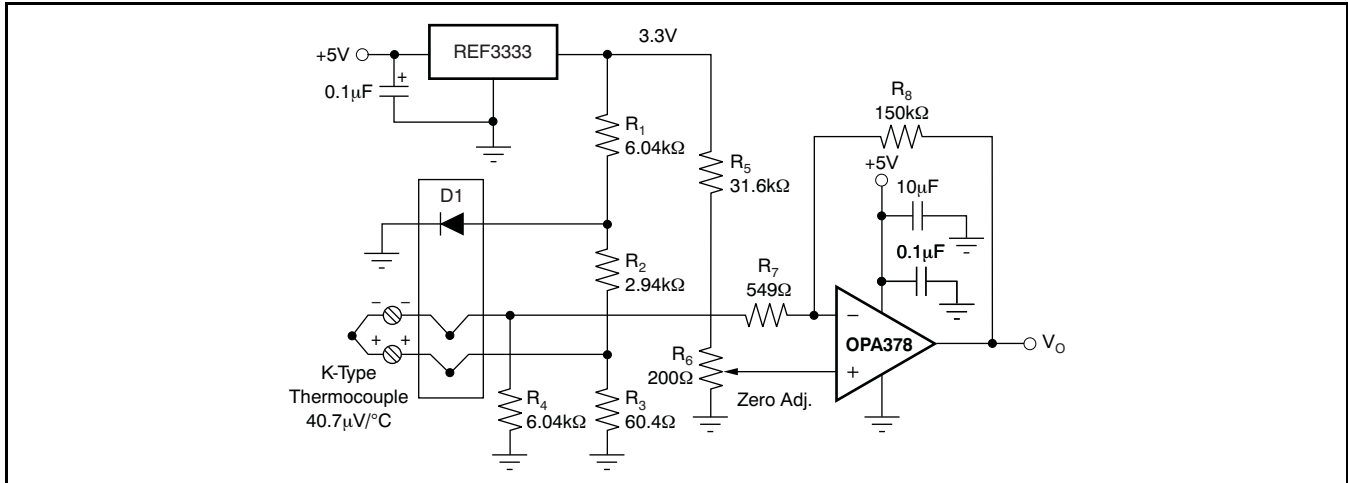


Figure 34. Temperature Measurement

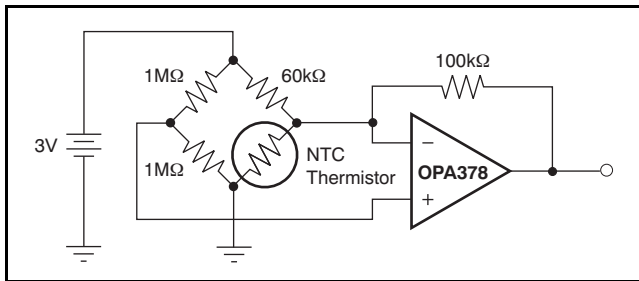


Figure 35. Thermistor Measurement

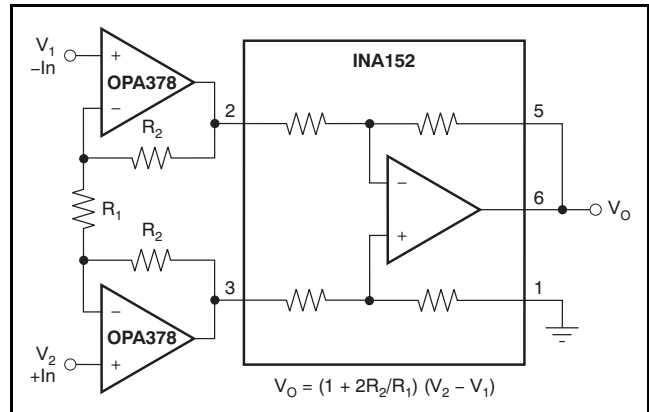
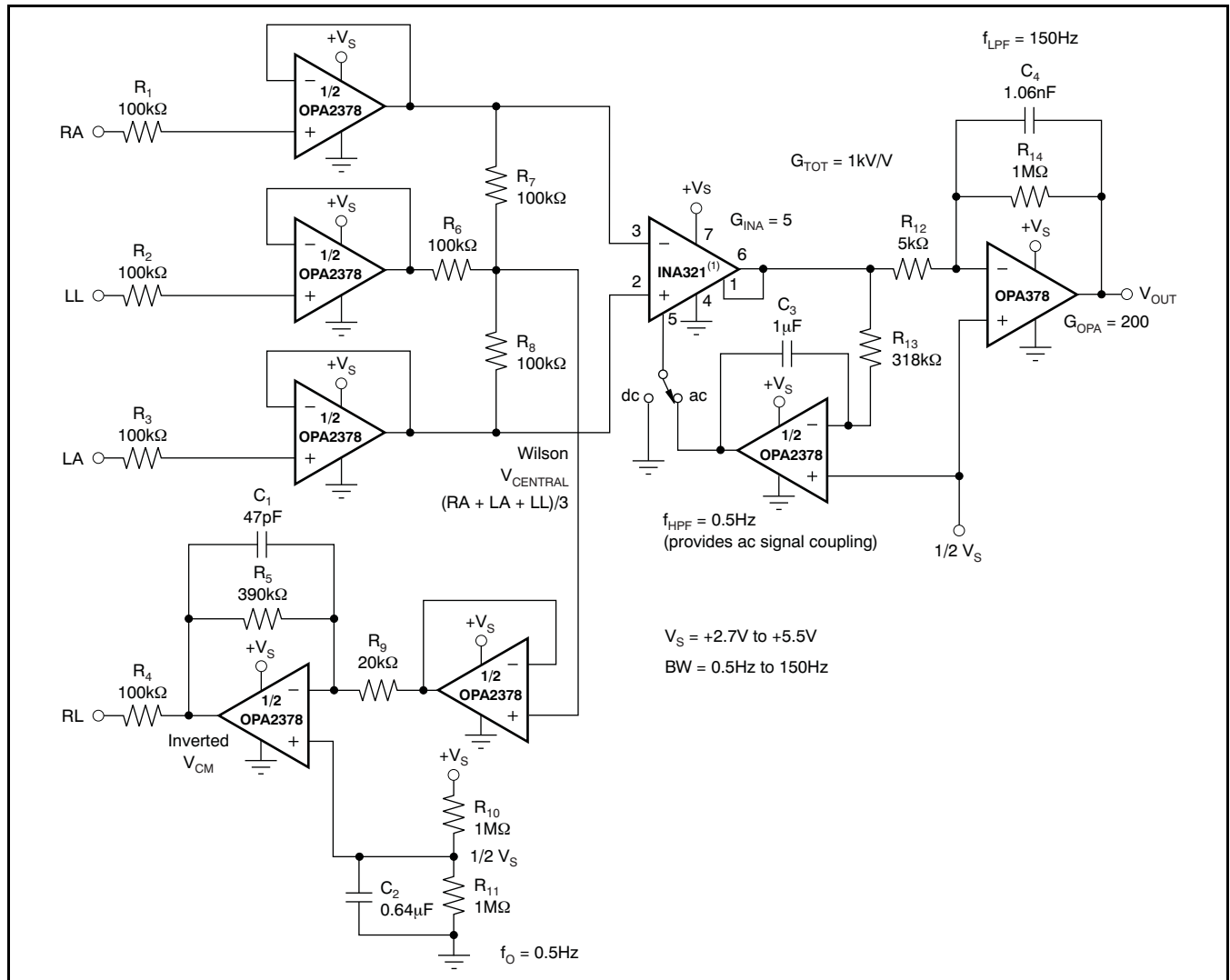


Figure 36. Precision Instrumentation Amplifier



(1) Other instrumentation amplifiers can be used, such as the [INA326](#), which has lower noise but higher quiescent current.

Figure 37. Single-Supply, Very Low Power ECG Circuit

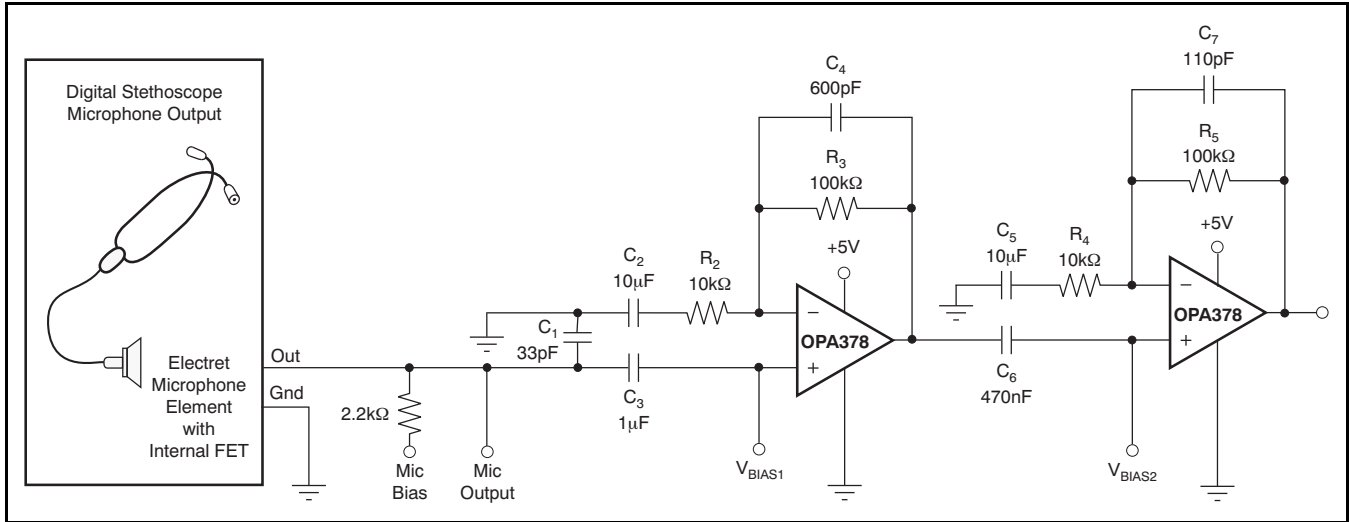


Figure 38. Digital Stethoscope Circuit

REVISION HISTORY

NOTE: Page numbers for previous revisions may differ from page numbers in the current version.

Changes from Revision C (June 2009) to Revision D	Page
• Changed OPA2378 orderable status to production data; updated references throughout document	1
• Changed first sentence of Description section	1
• Deleted footnote 2 from Package Information table	2
• Added OPA2378 parameters to the Offset Voltage section of the Electrical Characteristics table	3
• Deleted footnote 1 from Electrical Characteristics table	3
• Added OPA378 to the Offset Voltage, <i>Input Offset Voltage</i> and <i>vs Power Supply</i> parameters of the Electrical Characteristics table	3
• Added typical specification to the OPA378 Offset Voltage, <i>Over Temperature</i> parameter of the Electrical Characteristics table	3
• Added Offset Voltage, <i>Channel Separation</i> parameter to the Electrical Characteristics table	3
• Added OPA2378 parameters to the Input Bias Current section of the Electrical Characteristics table	3
• Added OPA378 to the Input Bias Current, <i>Input Bias Current</i> and <i>Input Offset Current</i> parameters of the Electrical Characteristics table	3
• Added typical specification to the Input Bias Current, <i>Input Offset Current</i> , OPA378 parameter of the Electrical Characteristics table	3
• Added OPA378 to the Output, <i>Voltage Output Swing from Rail</i> parameter of the Electrical Characteristics	4
• Added typical specification to the OPA378 Output, <i>Over Temperature</i> parameter of the Electrical Characteristics table	4
• Added the OPA2378 Output, <i>Voltage Output Swing from Rail</i> and <i>Over Temperature</i> parameters to the Electrical Characteristics table	4
• Updated Figure 18	7
• Added Figure 25	9
• Updated Figure 32	14
• Updated Figure 33 and changed footnote 3	14

PACKAGING INFORMATION

Orderable Device	Status (1)	Package Type	Package Drawing	Pins	Package Qty	Eco Plan (2)	Lead finish/ Ball material (6)	MSL Peak Temp (3)	Op Temp (°C)	Device Marking (4/5)	Samples
OPA2378AIDCNR	ACTIVE	SOT-23	DCN	8	3000	RoHS & Green	NIPDAU	Level-2-260C-1 YEAR	-40 to 125	OCAI	Samples
OPA2378AIDCNT	ACTIVE	SOT-23	DCN	8	250	RoHS & Green	NIPDAU	Level-2-260C-1 YEAR	-40 to 125	OCAI	Samples
OPA378AIDBVR	ACTIVE	SOT-23	DBV	5	3000	RoHS & Green	NIPDAU	Level-2-260C-1 YEAR	-40 to 125	OAZI	Samples
OPA378AIDBVT	ACTIVE	SOT-23	DBV	5	250	RoHS & Green	NIPDAU	Level-2-260C-1 YEAR	-40 to 125	OAZI	Samples
OPA378AIDCKR	ACTIVE	SC70	DCK	5	3000	RoHS & Green	NIPDAU	Level-2-260C-1 YEAR	-40 to 125	BTS	Samples
OPA378AIDCKT	ACTIVE	SC70	DCK	5	250	RoHS & Green	NIPDAU	Level-2-260C-1 YEAR	-40 to 125	BTS	Samples

(1) The marketing status values are defined as follows:

ACTIVE: Product device recommended for new designs.

LIFEBUY: TI has announced that the device will be discontinued, and a lifetime-buy period is in effect.

NRND: Not recommended for new designs. Device is in production to support existing customers, but TI does not recommend using this part in a new design.

PREVIEW: Device has been announced but is not in production. Samples may or may not be available.

OBSELETE: TI has discontinued the production of the device.

(2) **RoHS:** TI defines "RoHS" to mean semiconductor products that are compliant with the current EU RoHS requirements for all 10 RoHS substances, including the requirement that RoHS substance do not exceed 0.1% by weight in homogeneous materials. Where designed to be soldered at high temperatures, "RoHS" products are suitable for use in specified lead-free processes. TI may reference these types of products as "Pb-Free".

RoHS Exempt: TI defines "RoHS Exempt" to mean products that contain lead but are compliant with EU RoHS pursuant to a specific EU RoHS exemption.

Green: TI defines "Green" to mean the content of Chlorine (Cl) and Bromine (Br) based flame retardants meet JS709B low halogen requirements of <=1000ppm threshold. Antimony trioxide based flame retardants must also meet the <=1000ppm threshold requirement.

(3) MSL, Peak Temp. - The Moisture Sensitivity Level rating according to the JEDEC industry standard classifications, and peak solder temperature.

(4) There may be additional marking, which relates to the logo, the lot trace code information, or the environmental category on the device.

(5) Multiple Device Markings will be inside parentheses. Only one Device Marking contained in parentheses and separated by a "~" will appear on a device. If a line is indented then it is a continuation of the previous line and the two combined represent the entire Device Marking for that device.

(6) Lead finish/Ball material - Orderable Devices may have multiple material finish options. Finish options are separated by a vertical ruled line. Lead finish/Ball material values may wrap to two lines if the finish value exceeds the maximum column width.

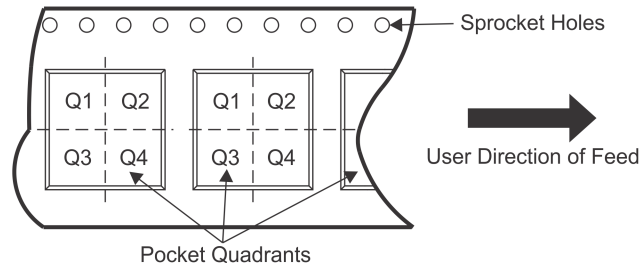
Important Information and Disclaimer: The information provided on this page represents TI's knowledge and belief as of the date that it is provided. TI bases its knowledge and belief on information provided by third parties, and makes no representation or warranty as to the accuracy of such information. Efforts are underway to better integrate information from third parties. TI has taken and continues to take reasonable steps to provide representative and accurate information but may not have conducted destructive testing or chemical analysis on incoming materials and chemicals. TI and TI suppliers consider certain information to be proprietary, and thus CAS numbers and other limited information may not be available for release.

In no event shall TI's liability arising out of such information exceed the total purchase price of the TI part(s) at issue in this document sold by TI to Customer on an annual basis.

TAPE AND REEL INFORMATION



QUADRANT ASSIGNMENTS FOR PIN 1 ORIENTATION IN TAPE



*All dimensions are nominal

Device	Package Type	Package Drawing	Pins	SPQ	Reel Diameter (mm)	Reel Width W1 (mm)	A0 (mm)	B0 (mm)	K0 (mm)	P1 (mm)	W (mm)	Pin1 Quadrant
OPA2378AIDCNR	SOT-23	DCN	8	3000	179.0	8.4	3.2	3.2	1.4	4.0	8.0	Q3
OPA2378AIDCNT	SOT-23	DCN	8	250	179.0	8.4	3.2	3.2	1.4	4.0	8.0	Q3
OPA378AIDBVR	SOT-23	DBV	5	3000	178.0	8.4	3.3	3.2	1.4	4.0	8.0	Q3
OPA378AIDBVT	SOT-23	DBV	5	250	178.0	8.4	3.3	3.2	1.4	4.0	8.0	Q3
OPA378AIDCKR	SC70	DCK	5	3000	179.0	8.4	2.2	2.5	1.2	4.0	8.0	Q3
OPA378AIDCKR	SC70	DCK	5	3000	178.0	9.0	2.4	2.5	1.2	4.0	8.0	Q3
OPA378AIDCKT	SC70	DCK	5	250	179.0	8.4	2.2	2.5	1.2	4.0	8.0	Q3
OPA378AIDCKT	SC70	DCK	5	250	178.0	9.0	2.4	2.5	1.2	4.0	8.0	Q3

TAPE AND REEL BOX DIMENSIONS


*All dimensions are nominal

Device	Package Type	Package Drawing	Pins	SPQ	Length (mm)	Width (mm)	Height (mm)
OPA2378AIDCNR	SOT-23	DCN	8	3000	213.0	191.0	35.0
OPA2378AIDCNT	SOT-23	DCN	8	250	213.0	191.0	35.0
OPA378AIDBVR	SOT-23	DBV	5	3000	445.0	220.0	345.0
OPA378AIDBVT	SOT-23	DBV	5	250	445.0	220.0	345.0
OPA378AIDCKR	SC70	DCK	5	3000	213.0	191.0	35.0
OPA378AIDCKR	SC70	DCK	5	3000	180.0	180.0	18.0
OPA378AIDCKT	SC70	DCK	5	250	213.0	191.0	35.0
OPA378AIDCKT	SC70	DCK	5	250	180.0	180.0	18.0

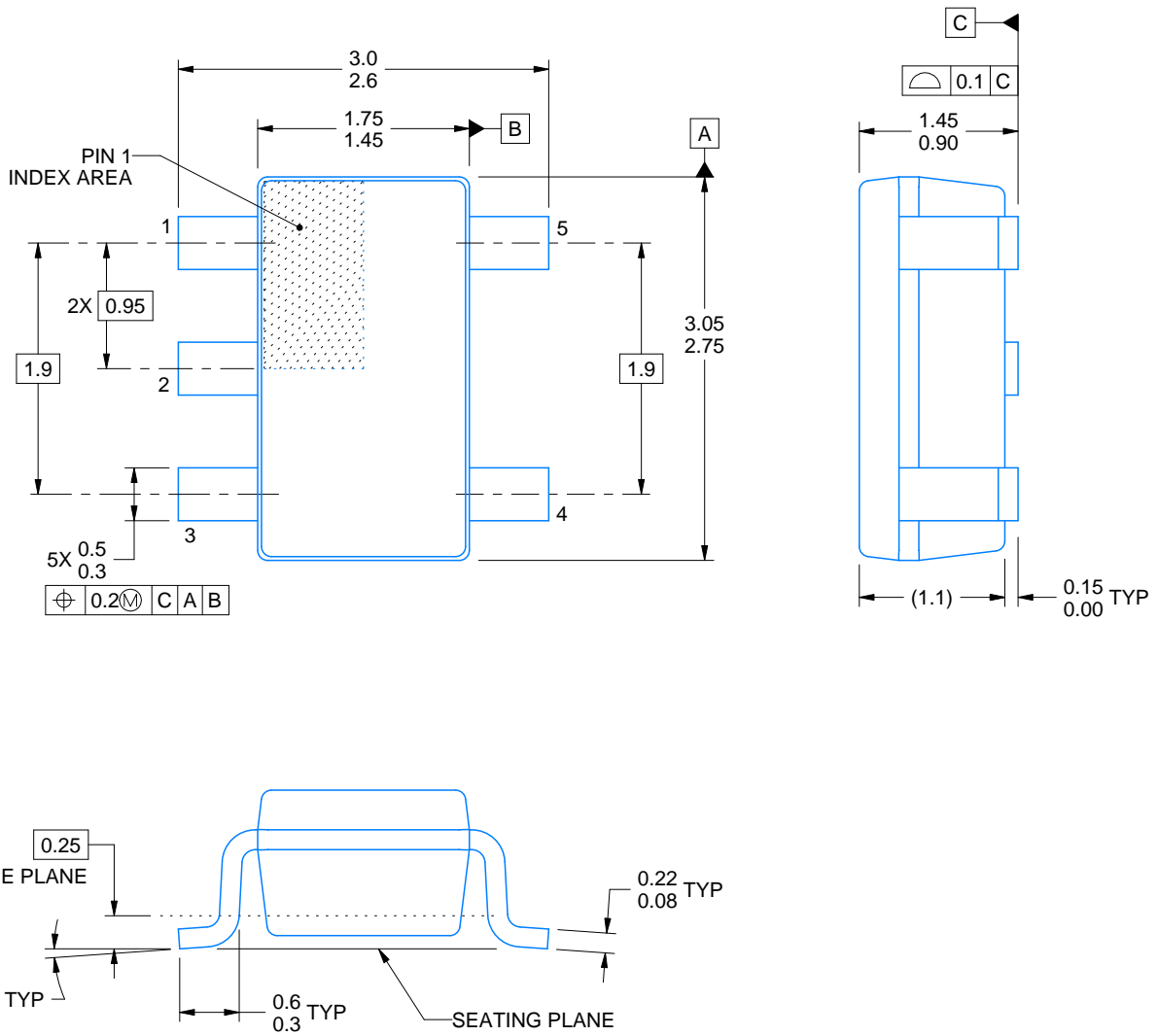
DBV0005A



PACKAGE OUTLINE

SOT-23 - 1.45 mm max height

SMALL OUTLINE TRANSISTOR



4214839/F 06/2021

NOTES:

1. All linear dimensions are in millimeters. Any dimensions in parenthesis are for reference only. Dimensioning and tolerancing per ASME Y14.5M.
2. This drawing is subject to change without notice.
3. Reference JEDEC MO-178.
4. Body dimensions do not include mold flash, protrusions, or gate burrs. Mold flash, protrusions, or gate burrs shall not exceed 0.25 mm per side.

EXAMPLE BOARD LAYOUT

DBV0005A

SOT-23 - 1.45 mm max height

SMALL OUTLINE TRANSISTOR



LAND PATTERN EXAMPLE
EXPOSED METAL SHOWN
SCALE:15X



SOLDER MASK DETAILS

4214839/F 06/2021

NOTES: (continued)

5. Publication IPC-7351 may have alternate designs.
6. Solder mask tolerances between and around signal pads can vary based on board fabrication site.

EXAMPLE STENCIL DESIGN

DBV0005A

SOT-23 - 1.45 mm max height

SMALL OUTLINE TRANSISTOR



SOLDER PASTE EXAMPLE
BASED ON 0.125 mm THICK STENCIL
SCALE:15X

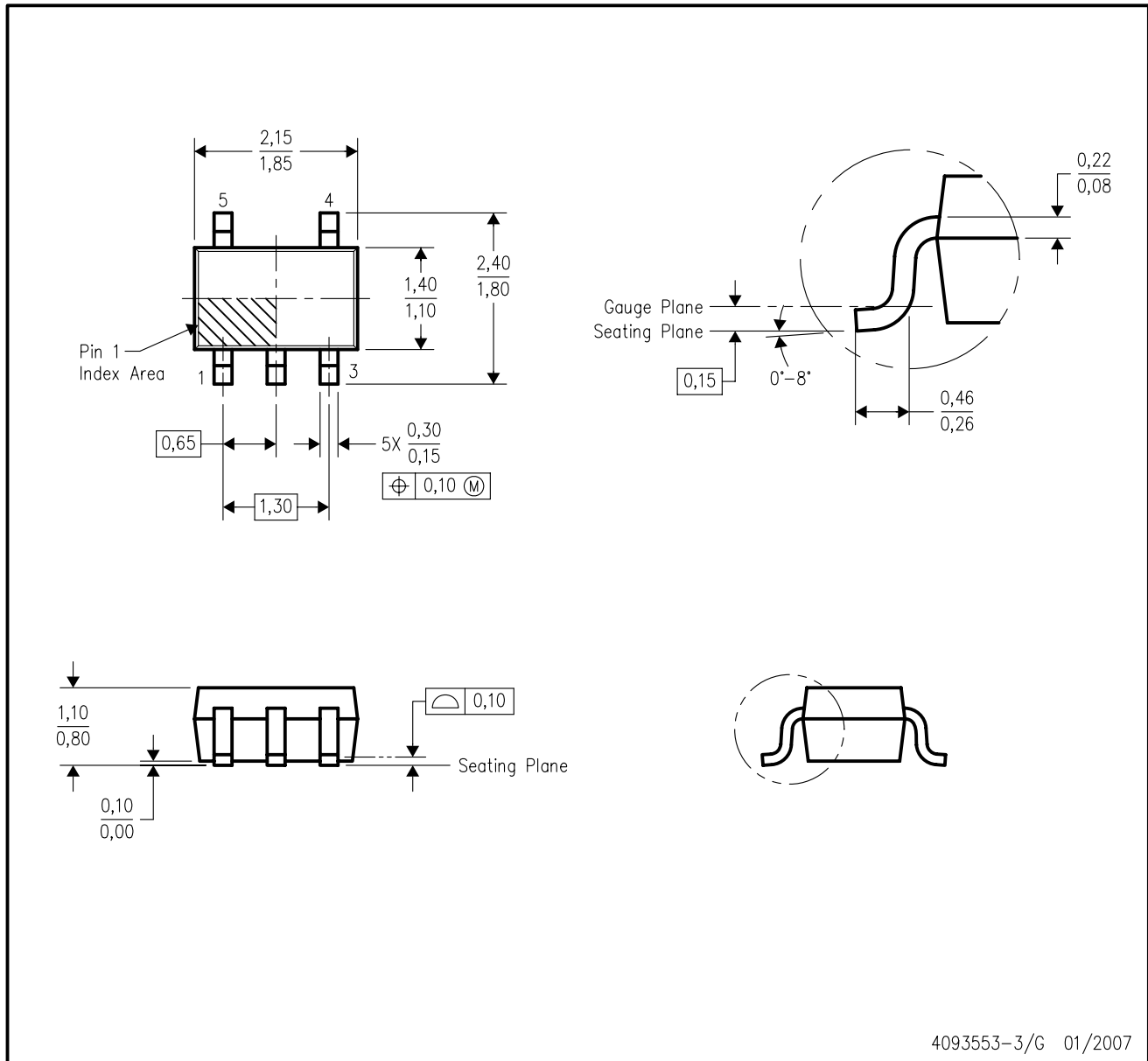
4214839/F 06/2021

NOTES: (continued)

7. Laser cutting apertures with trapezoidal walls and rounded corners may offer better paste release. IPC-7525 may have alternate design recommendations.
8. Board assembly site may have different recommendations for stencil design.

DCK (R-PDSO-G5)

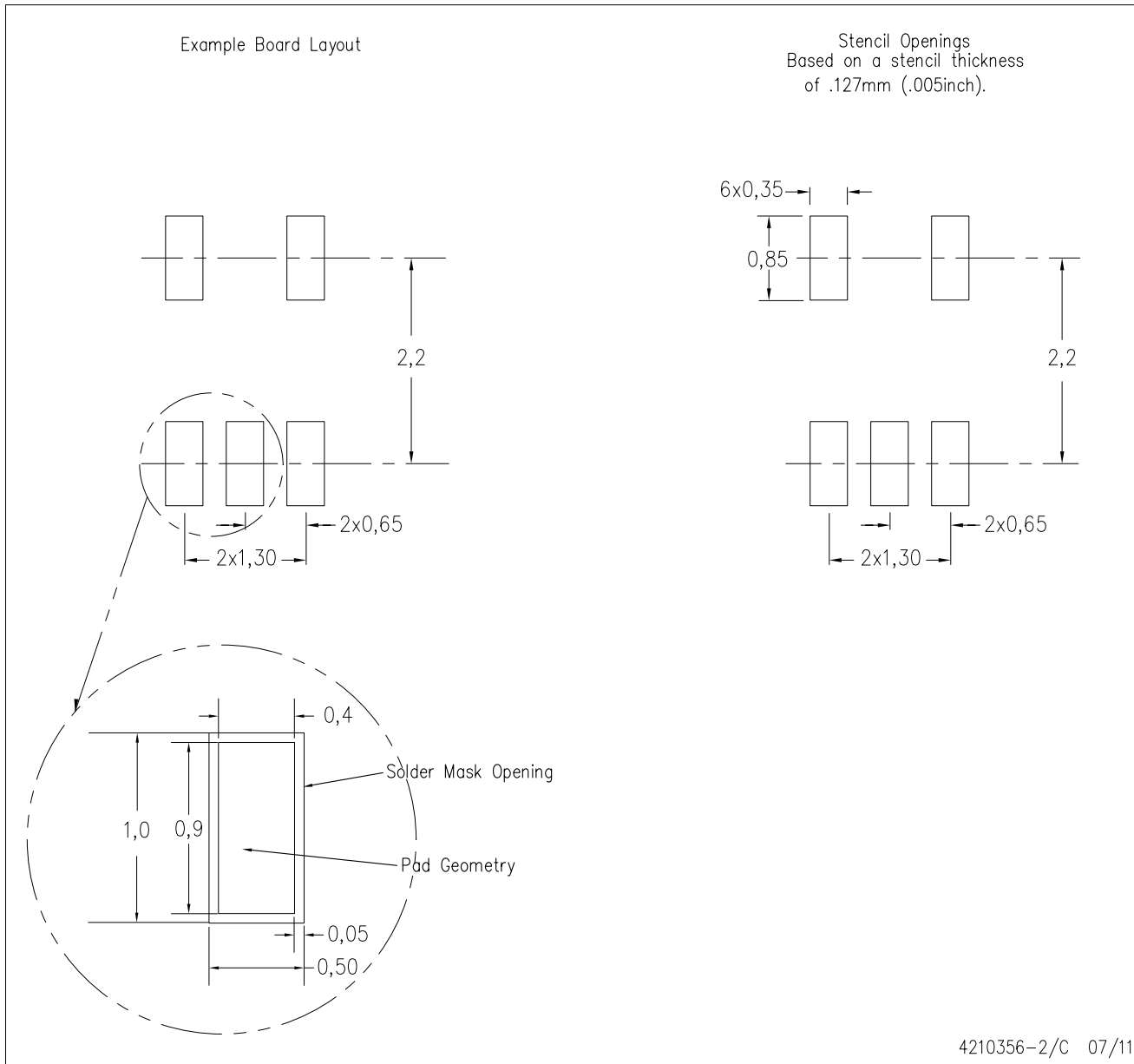
PLASTIC SMALL-OUTLINE PACKAGE



- NOTES:
- A. All linear dimensions are in millimeters.
 - B. This drawing is subject to change without notice.
 - C. Body dimensions do not include mold flash or protrusion. Mold flash and protrusion shall not exceed 0.15 per side.
 - D. Falls within JEDEC MO-203 variation AA.

DCK (R-PDSO-G5)

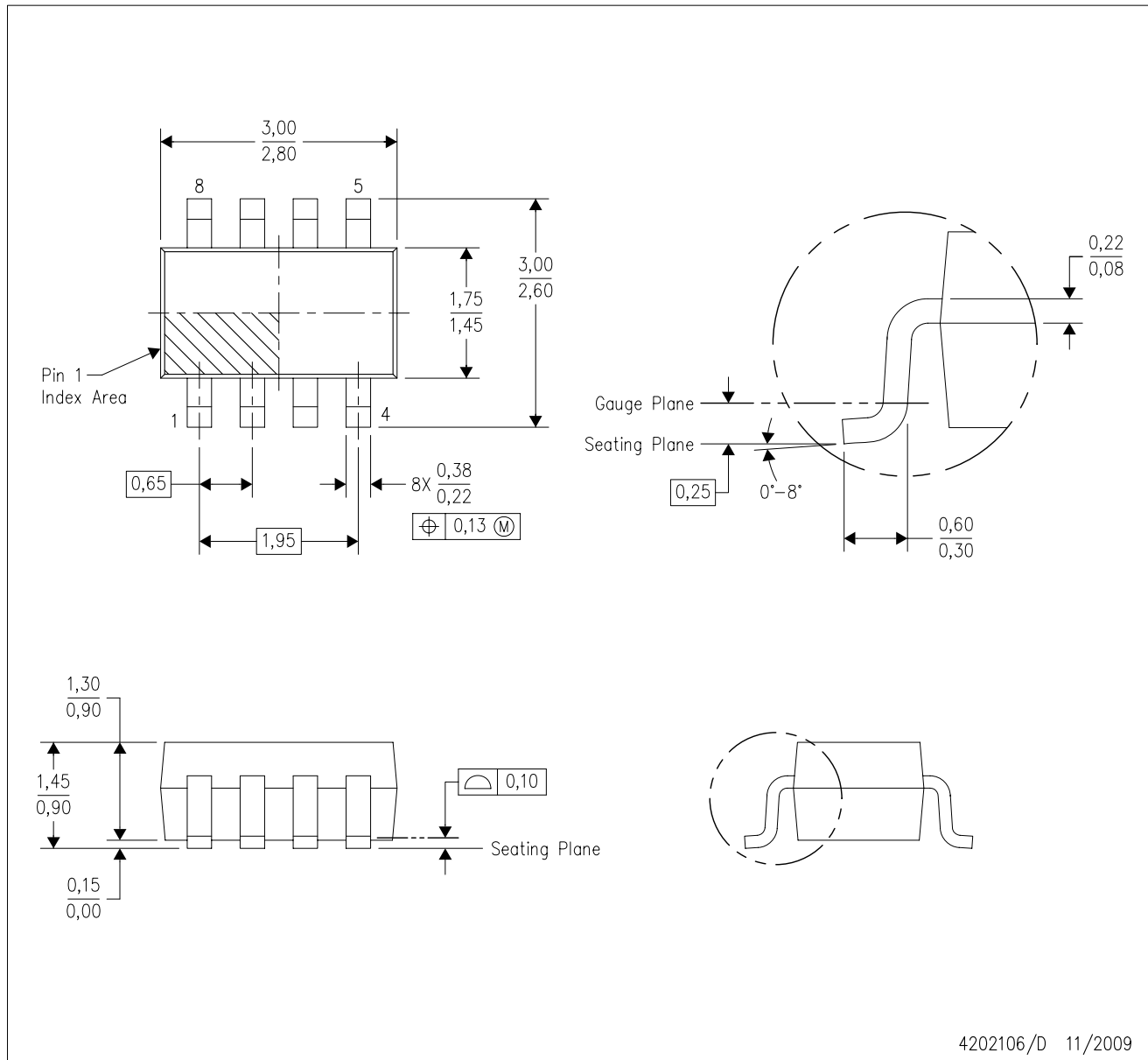
PLASTIC SMALL OUTLINE



- NOTES:
- All linear dimensions are in millimeters.
 - This drawing is subject to change without notice.
 - Customers should place a note on the circuit board fabrication drawing not to alter the center solder mask defined pad.
 - Publication IPC-7351 is recommended for alternate designs.
 - Laser cutting apertures with trapezoidal walls and also rounding corners will offer better paste release. Customers should contact their board assembly site for stencil design recommendations. Example stencil design based on a 50% volumetric metal load solder paste. Refer to IPC-7525 for other stencil recommendations.

DCN (R-PDSO-G8)

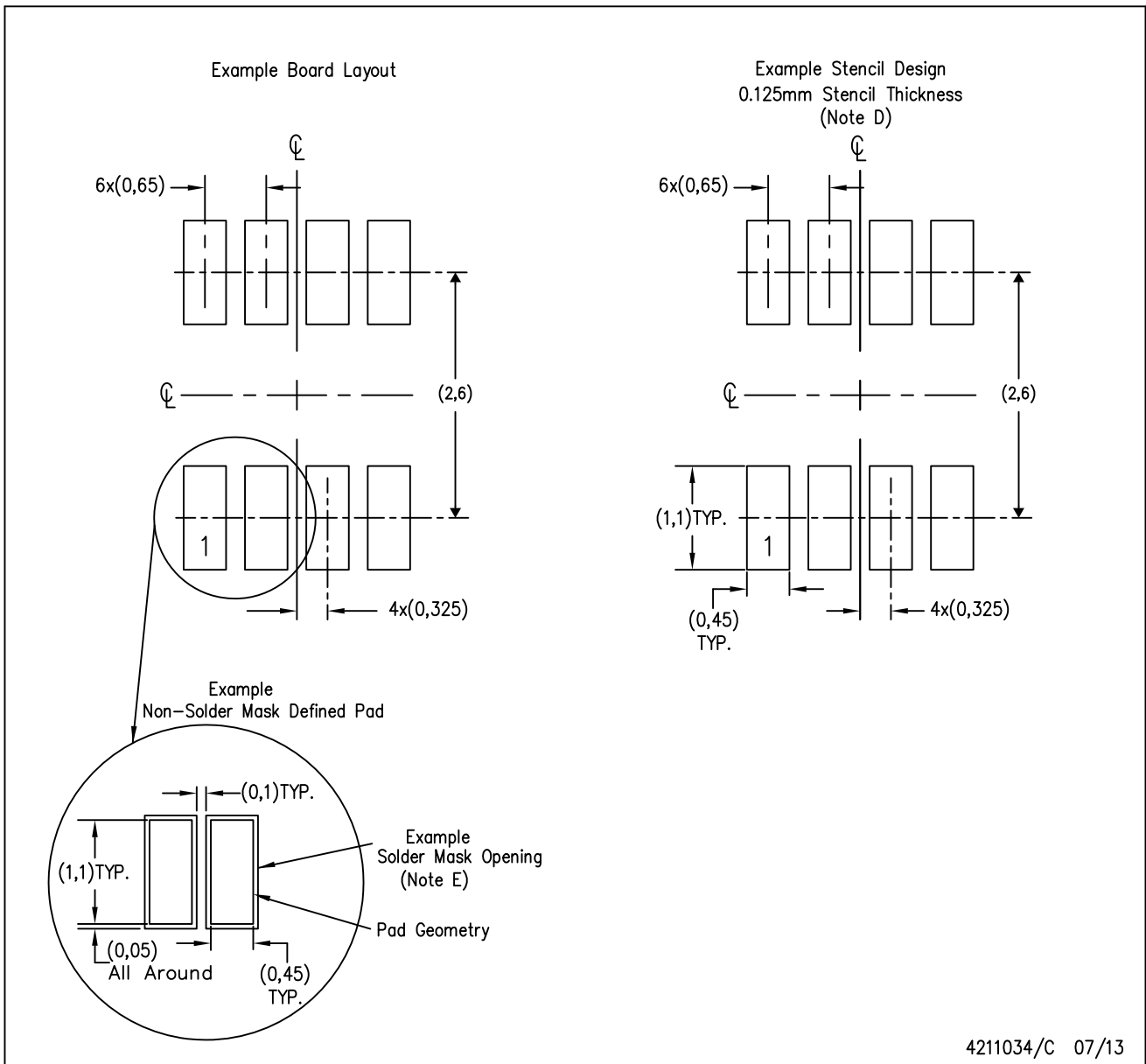
PLASTIC SMALL-OUTLINE PACKAGE (DIE DOWN)



- NOTES:
- A. All linear dimensions are in millimeters.
 - B. This drawing is subject to change without notice.
 - C. Package outline exclusive of metal burr & dambar protrusion/intrusion.
 - D. Package outline inclusive of solder plating.
 - E. A visual index feature must be located within the Pin 1 index area.
 - F. Falls within JEDEC MO-178 Variation BA.
 - G. Body dimensions do not include flash or protrusion. Mold flash and protrusion shall not exceed 0.25 per side.

DCN (R-PDSO-G8)

PLASTIC SMALL-OUTLINE PACKAGE (DIE DOWN)



- NOTES:
- A. All linear dimensions are in millimeters.
 - B. This drawing is subject to change without notice.
 - C. Publication IPC-7351 is recommended for alternate designs.
 - D. Laser cutting apertures with trapezoidal walls and also rounding corners will offer better paste release. Customers should contact their board assembly site for stencil design recommendations. Refer to IPC-7525.
 - E. Customers should contact their board fabrication site for solder mask tolerances between and around signal pads.

重要声明和免责声明

TI“按原样”提供技术和可靠性数据（包括数据表）、设计资源（包括参考设计）、应用或其他设计建议、网络工具、安全信息和其他资源，不保证没有瑕疵且不做任何明示或暗示的担保，包括但不限于对适销性、某特定用途方面的适用性或不侵犯任何第三方知识产权的暗示担保。

这些资源可供使用 TI 产品进行设计的熟练开发人员使用。您将自行承担以下全部责任：(1) 针对您的应用选择合适的 TI 产品，(2) 设计、验证并测试您的应用，(3) 确保您的应用满足相应标准以及任何其他功能安全、信息安全、监管或其他要求。

这些资源如有变更，恕不另行通知。TI 授权您仅可将这些资源用于研发本资源所述的 TI 产品的应用。严禁对这些资源进行其他复制或展示。您无权使用任何其他 TI 知识产权或任何第三方知识产权。您应全额赔偿因在这些资源的使用中对 TI 及其代表造成的任何索赔、损害、成本、损失和债务，TI 对此概不负责。

TI 提供的产品受 [TI 的销售条款](#) 或 [ti.com](#) 上其他适用条款/TI 产品随附的其他适用条款的约束。TI 提供这些资源并不会扩展或以其他方式更改 TI 针对 TI 产品发布的适用的担保或担保免责声明。

TI 反对并拒绝您可能提出的任何其他或不同的条款。

邮寄地址：Texas Instruments, Post Office Box 655303, Dallas, Texas 75265
Copyright © 2021，德州仪器 (TI) 公司