

TPS549B22 1.5V 至 18V V_{IN} , 4.5V 至 22V V_{DD} , 具有全差动传感功能和 PMBus™ 的 25A SWIFT™ 同步降压转换器

1 特性

- 输入电压 (PV_{IN}): 1.5V 至 18V
- 输入偏置电压 (V_{DD}) 范围: 4.5V 至 22V
- 输出电压范围: 0.6V 至 5.5V
- 集成型 4.1m Ω 和 1.9m Ω 功率 MOSFET, 持续输出电流为 25A
- 基准电压范围: 0.6V 至 1.2V (步长为 50mV), 采用 VSEL 引脚
- $\pm 0.5\%$, 0.9V_{REF} 公差范围: -40°C 至 $+125^{\circ}\text{C}$ 结温
- 真正的差分遥感放大器
- D-CAP3™ 控制环路
- 自适应导通时间控制, 具有 8 种 PMBus™ 频率: 315kHz、425kHz、550kHz、650kHz、825kHz、900kHz、1.025MHz 和 1.125MHz
- 温度补偿和可编程电流限值, 具有 R_{ILIM} 和 OC 钳位
- 可选断续或闭锁 OVP 或 UVP
- 通过精确的 EN 实现的 V_{DD} UVLO 外部调整
- 预偏置启动支持
- Eco-mode™ 和 FCCM 可供选择
- 全套故障保护和 PGOOD
- 标准 VOUT_COMMAND 和 VOUT_MARGIN (高电平和低电平)
- 引脚捆绑和实时编程
- 故障报告和警告
- 针对所选命令的 NVM 备份
- 1MHz PMBus, 支持 PEC 和 SMB_ALERT#
- 结合使用 TPS549B22 和 WEBENCH® 电源设计器创建定制设计

2 应用

- 企业级存储、SSD、NAS
- 无线和有线通信基础设施
- 工业 PC、自动化、ATE、PLC、视频监控
- 企业服务器、交换机、路由器
- ASIC、SoC、FPGA、DSP 内核和 I/O 电源轨

3 说明

TPS549B22 器件是一款紧凑型单通道降压转换器, 具有自适应导通时间 D-CAP3 模式控制。该器件专为高精度、高效率、快速瞬态响应、易于使用、外部组件较少且空间受限的电源系统而设计。

该器件采用全差动传感和 TI 的集成 FET, 高侧导通电阻为 4.1m Ω , 低侧导通电阻为 1.9m Ω 。此外, 该器件还具有 0.5% 的精度和 0.9V 基准电压, 环境温度范围介于 -40°C 和 $+125^{\circ}\text{C}$ 之间。其竞争优势包括: 超低的外部组件数、精准的负载和线路调节、自动跳频或 FCCM 工作模式以及内部软启动控制。

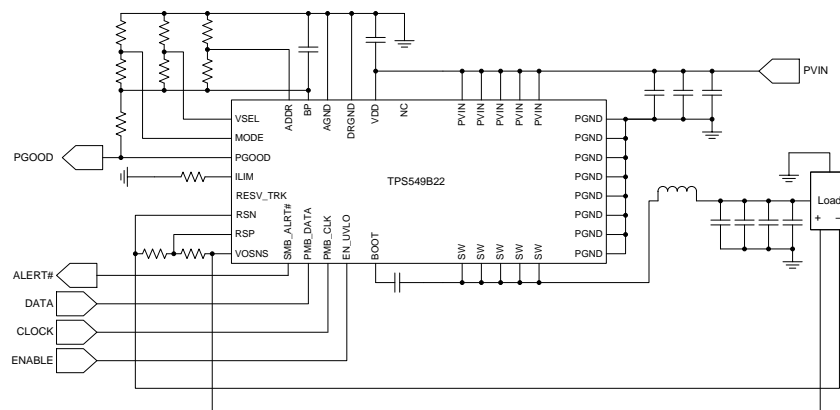
TPS549B22 器件采用 7mm \times 5mm、40 引脚、LQFN-CLIP (RVF) 封装 (RoHs 豁免)。

器件信息⁽¹⁾

器件型号	封装	封装尺寸 (标称值)
TPS549B22	LQFN-CLIP (40)	7.00mm \times 5.00mm

(1) 如需了解所有可用封装, 请参阅数据表末尾的可订购产品附录。

简化应用



Copyright © 2016, Texas Instruments Incorporated



目录

<p>1 特性 1</p> <p>2 应用 1</p> <p>3 说明 1</p> <p>4 修订历史记录 2</p> <p>5 Pin Configuration and Functions 3</p> <p>6 Specifications 4</p> <p> 6.1 Absolute Maximum Ratings 4</p> <p> 6.2 ESD Ratings 4</p> <p> 6.3 Recommended Operating Conditions 5</p> <p> 6.4 Thermal Information 5</p> <p> 6.5 Electrical Characteristics 5</p> <p> 6.6 Typical Characteristics 10</p> <p>7 Detailed Description 14</p> <p> 7.1 Overview 14</p> <p> 7.2 Functional Block Diagram 15</p> <p> 7.3 Feature Description 15</p> <p> 7.4 Device Functional Modes 19</p> <p> 7.5 Programming 19</p>	<p> 7.6 Register Maps 29</p> <p>8 Application and Implementation 43</p> <p> 8.1 Application Information 43</p> <p> 8.2 Typical Applications 44</p> <p>9 Power Supply Recommendations 54</p> <p>10 Layout 54</p> <p> 10.1 Layout Guidelines 54</p> <p> 10.2 Layout Examples 55</p> <p> 10.3 Mounting and Thermal Profile Recommendation.. 57</p> <p>11 器件和文档支持 58</p> <p> 11.1 器件支持 58</p> <p> 11.2 文档支持 58</p> <p> 11.3 接收文档更新通知 58</p> <p> 11.4 社区资源 58</p> <p> 11.5 商标 58</p> <p> 11.6 静电放电警告 58</p> <p> 11.7 Glossary 58</p> <p>12 机械、封装和可订购信息 59</p>
--	--

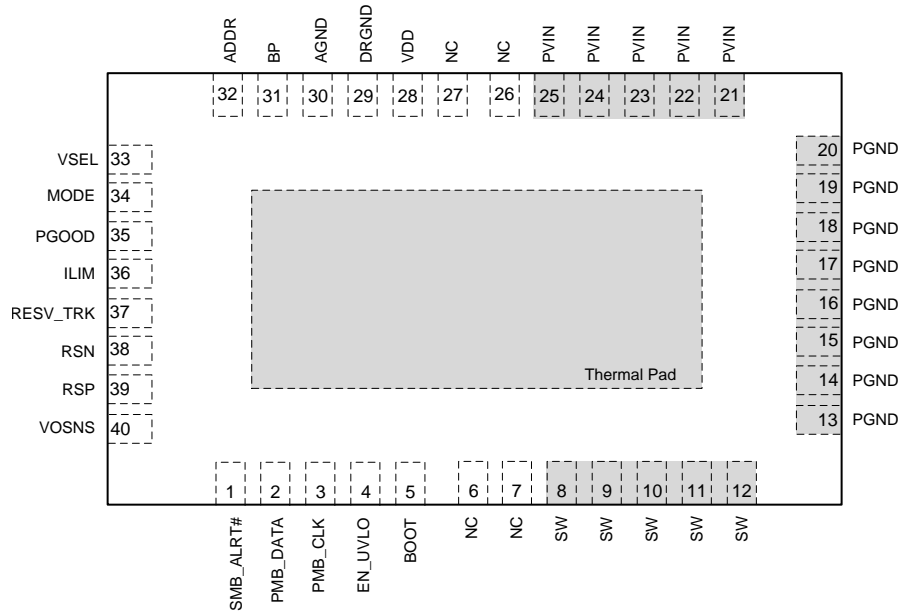
4 修订历史记录

注：之前版本的页码可能与当前版本有所不同。

日期	修订版本	说明
2017 年 6 月	*	初始发行版

5 Pin Configuration and Functions

RVF Package
40-Pin LQFN-CLIP With Thermal Pad
Top View



Pin Functions

PIN		I/O/P ⁽¹⁾	DESCRIPTION
NAME	NO.		
ADDR	32	I	Program device address and SKIP or FCCM mode.
AGND	30	G	Ground pin for internal analog circuits.
BOOT	5	P	Supply rail for high-side gate driver (boot terminal). Connect boot capacitor from this pin to SW node. Internally connected to BP via bootstrap PMOS switch.
BP	31	O	LDO output
DRGND	29	P	Internal gate driver return.
EN_UVLO	4	I	Enable pin that can turn on the DC/DC switching converter. Use also to program the required PVIN UVLO when PVIN and VDD are connected together.
ILIM	36	I/O	Program overcurrent limit by connecting a resistor to ground.
MODE	34	I	Mode selection pin. Select the control mode (DCAP3 or DCAP), and soft-start timing selection.
NC	6, 7, 26, 27		No connect.
PGND	13, 14, 15, 16, 17, 18, 19, 20	P	Power ground of internal FETs.
PGOOD	35	O	Open drain power-good status signal.
PMB_CLK	3	I	Clock input for the PMBus interface.
PMB_DATA	2	I/O	Data I/O for the PMBus interface.
PVIN	21, 22, 23, 24, 25	P	Power supply input for integrated power MOSFET pair.
RSN	38	I	Inverting input of the differential remote sense amplifier.
RSP	39	I	Non-inverting input of the differential remote sense amplifier.
RESV_TRK	37	I	Do not connect.
SMB_ALERT#	1	O	Alert output for the PMBus interface.

(1) I = input, O = output, G = GND

Pin Functions (continued)

PIN		I/O/P ⁽¹⁾	DESCRIPTION
NAME	NO.		
SW	8, 9, 10, 11, 12	I/O	Output switching terminal of power converter. Connect the pins to the output inductor.
VDD	28	P	Controller power supply input.
VOSNS	40	I	Output voltage monitor input pin.
VSEL	33	I	Program the initial start-up and or reference voltage without feedback resistor dividers (from 0.6 V to 1.2 V in 50-mV increments).

6 Specifications

6.1 Absolute Maximum Ratings

 over operating free-air temperature range (unless otherwise noted) ⁽¹⁾⁽²⁾

		MIN	MAX	UNIT	
Input voltage	PVIN	-0.3	25	V	
	VDD	-0.3	25		
	BOOT	-0.3	34		
	BOOT to SW	DC	-0.3		7.7
		< 10 ns	-0.3		9
	PMB_CLK, PMB_DATA	-0.3	6		
	EN_UVLO, VOSNS, MODE, ADDR, ILIM	-0.3	7.7		
	RSP, RESV_TRK, VSEL	-0.3	3.6		
	RSN	-0.3	0.3		
	PGND, AGND, DRGND	-0.3	0.3		
SW	DC	-0.3	25		
	< 10 ns	-5	27		
Output voltage	PGOOD, BP	-0.3	7.7	V	
Output voltage	SMB_ALRT#, PMB_DATA	-0.3	6	V	
Junction temperature, T _J		-55	150	°C	
Storage temperature, T _{stg}		-55	150	°C	

- (1) Stresses beyond those listed under *Absolute Maximum Ratings* may cause permanent damage to the device. These are stress ratings only, which do not imply functional operation of the device at these or any other conditions beyond those indicated under *Recommended Operating Conditions*. Exposure to absolute-maximum-rated conditions for extended periods may affect device reliability.
- (2) All voltage values are with respect to the network ground terminal unless otherwise noted.

6.2 ESD Ratings

		VALUE	UNIT
V _(ESD)	Electrostatic discharge	Human-body model (HBM), per ANSI/ESDA/JEDEC JS-001 ⁽¹⁾	±2000
		Charged-device model (CDM), per JEDEC specification JESD22-C101 ⁽²⁾	±500

- (1) JEDEC document JEP155 states that 500-V HBM allows safe manufacturing with a standard ESD control process.
- (2) JEDEC document JEP157 states that 250-V CDM allows safe manufacturing with a standard ESD control process.

6.3 Recommended Operating Conditions

over operating free-air temperature range (unless otherwise noted)

		MIN	MAX	UNIT	
Input voltage	PVIN with no snubber circuit: SW ringing peak voltage equals 23 V at 25-A output	1.5	14	V	
	PVIN with snubber circuit: SW ringing peak voltage equals 23 V at 25-A output	1.5	18		
	VDD	4.5	22		
	BOOT	–0.1	24.5		
	BOOT to SW	DC	–0.1		6.5
		< 10 ns	–0.1		7
	PMB_CLK, PMB_DATA	–0.1	5.5		
	EN_UVLO, VOSNS, MODE, ADDR, ILIM	–0.1	5.5		
	RSP, RESV_TRK, VSEL	–0.1	3.3		
	RSN	–0.1	0.1		
	PGND, AGND, DRGND	–0.1	0.1		
SW	DC	–0.1	18		
	< 10 ns	–5	27		
Output voltage	PGOOD, BP	–0.1	7	V	
Output voltage	SMB_ALRT#, PMB_DATA	–0.1	5.5	V	
Junction temperature, T _J		–40	125	°C	

6.4 Thermal Information

THERMAL METRIC ⁽¹⁾		TPS549B22	UNIT
		RVF (LQFN-CLIP)	
		40 PINS	
R _{θJA}	Junction-to-ambient thermal resistance	28.5	°C/W
R _{θJC(top)}	Junction-to-case (top) thermal resistance	18.3	°C/W
R _{θJB}	Junction-to-board thermal resistance	3.6	°C/W
ψ _{JT}	Junction-to-top characterization parameter	0.96	°C/W
ψ _{JB}	Junction-to-board characterization parameter	3.6	°C/W
R _{θJC(bot)}	Junction-to-case (bottom) thermal resistance	0.6	°C/W

(1) For more information about traditional and new thermal metrics, see the [Semiconductor and IC Package Thermal Metrics](#) application report.

6.5 Electrical Characteristics

over operating free-air temperature range, V_{VDD} = 12 V, V_{EN_UVLO} = 5 V (unless otherwise noted)

PARAMETER		TEST CONDITION	MIN	TYP	MAX	UNIT
MOSFET ON-RESISTANCE (R_{DS(on)})						
R _{DS(on)}	High-side FET	(V _{BOOT} – V _{SW}) = 5 V, I _D = 25 A, T _J = 25°C		4.1		mΩ
	Low-side FET	V _{VDD} = 5 V, I _D = 25 A, T _J = 25°C		1.9		mΩ
INPUT SUPPLY AND CURRENT						
V _{VDD}	VDD supply voltage	Nominal VDD voltage range	4.5		22	V
I _{VDD}	VDD bias current	No load, power conversion enabled (no switching), T _A = 25°C,		2		mA
I _{VDDSTBY}	VDD standby current	No load, power conversion disabled, T _A = 25°C		700		μA

Electrical Characteristics (continued)

 over operating free-air temperature range, $V_{VDD} = 12\text{ V}$, $V_{EN_UVLO} = 5\text{ V}$ (unless otherwise noted)

PARAMETER	TEST CONDITION	MIN	TYP	MAX	UNIT		
UNDERVOLTAGE LOCKOUT							
V_{VDD_UVLO}	VDD UVLO rising threshold	4.23	4.25	4.34	V		
$V_{VDD_UVLO(HYS)}$	VDD UVLO hysteresis		0.2		V		
$V_{EN_ON_TH}$	EN_UVLO on threshold	1.45	1.6	1.75	V		
V_{EN_HYS}	EN_UVLO hysteresis	270	300	340	mV		
I_{EN_LKG}	EN_UVLO input leakage current	$V_{EN_UVLO} = 5\text{ V}$		-1	0	1	μA
INTERNAL REFERENCE VOLTAGE RANGE							
V_{INTREF}	Internal REF voltage		900.4		mV		
$V_{INTREFTOL}$	Internal REF voltage tolerance	$-40^{\circ}\text{C} \leq T_J \leq 125^{\circ}\text{C}$		-0.5%	0.5%		
V_{INTREF}	Internal REF voltage range	0.6		1.2	V		
OUTPUT VOLTAGE							
V_{IOS_LPCMP}	Loop comparator input offset voltage ⁽¹⁾	-2.5		2.5	mV		
I_{RSP}	RSP input current	$V_{RSP} = 600\text{ mV}$		-1	1	μA	
$I_{VO(dis)}$	VO discharge current	$V_{VO} = 0.5\text{ V}$, power conversion disabled		8	12	mA	
DIFFERENTIAL REMOTE SENSE AMPLIFIER							
f_{UGBW}	Unity gain bandwidth ⁽¹⁾	5	7		MHz		
A_0	Open loop gain ⁽¹⁾	75			dB		
SR	Slew rate ⁽¹⁾		± 4.7		V/ μsec		
V_{IRNG}	Input range ⁽¹⁾	-0.2		1.8	V		
V_{OFFSET}	Input offset voltage ⁽¹⁾	-3.5		3.5	mV		
INTERNAL BOOT STRAP SWITCH							
V_F	Forward voltage	V_{BP_BOOT} , $I_F = 10\text{ mA}$, $T_A = 25^{\circ}\text{C}$		0.1	0.2	V	
I_{BOOT}	VBST leakage current	$V_{BOOT} = 30\text{ V}$, $V_{SW} = 25\text{ V}$, $T_A = 25^{\circ}\text{C}$		0.01	1.5	μA	
SWITCHING FREQUENCY							
f_{SW}	VO switching frequency ⁽²⁾	$V_{IN} = 12\text{ V}$, $V_{VO} = 1\text{ V}$, $T_A = 25^{\circ}\text{C}$	275	315	350	kHz	
			380	425	475		
			490	550	615		
			585	650	740		
			740	825	930		
			790	900	995		
			920	1025	1160		
			950	1125	1250		
$t_{ON(min)}$	Minimum on-time ⁽¹⁾		60		ns		
$t_{OFF(min)}$	Minimum off-time ⁽¹⁾	DRVH falling to rising		300	ns		

(1) Specified by design. Not production tested.

(2) Correlated with close-loop EVM measurement at load current of 30 A.

Electrical Characteristics (continued)

over operating free-air temperature range, $V_{DD} = 12\text{ V}$, $V_{EN_UVLO} = 5\text{ V}$ (unless otherwise noted)

PARAMETER	TEST CONDITION	MIN	TYP	MAX	UNIT	
MODE, VSEL, ADDR DETECTION						
V_{DETECT_TH}	MODE, VSEL, and ADDR detection voltage	$V_{BP} = 2.93\text{ V}$, $R_{HIGH} = 100\text{ k}\Omega$	Open	V_{BP}		V
			$R_{LOW} = 187\text{ k}\Omega$	1.9091		
			$R_{LOW} = 165\text{ k}\Omega$	1.8243		
			$R_{LOW} = 147\text{ k}\Omega$	1.7438		
			$R_{LOW} = 133\text{ k}\Omega$	1.6725		
			$R_{LOW} = 121\text{ k}\Omega$	1.6042		
			$R_{LOW} = 110\text{ k}\Omega$	1.5348		
			$R_{LOW} = 100\text{ k}\Omega$	1.465		
			$R_{LOW} = 90.9\text{ k}\Omega$	1.3952		
			$R_{LOW} = 82.5\text{ k}\Omega$	1.3245		
			$R_{LOW} = 75\text{ k}\Omega$	1.2557		
			$R_{LOW} = 68.1\text{ k}\Omega$	1.187		
			$R_{LOW} = 60.4\text{ k}\Omega$	1.1033		
			$R_{LOW} = 53.6\text{ k}\Omega$	1.0224		
			$R_{LOW} = 47.5\text{ k}\Omega$	0.9436		
			$R_{LOW} = 42.2\text{ k}\Omega$	0.8695		
			$R_{LOW} = 37.4\text{ k}\Omega$	0.7975		
			$R_{LOW} = 33.2\text{ k}\Omega$	0.7303		
			$R_{LOW} = 29.4\text{ k}\Omega$	0.6657		
			$R_{LOW} = 25.5\text{ k}\Omega$	0.5953		
			$R_{LOW} = 22.1\text{ k}\Omega$	0.5303		
			$R_{LOW} = 19.1\text{ k}\Omega$	0.4699		
			$R_{LOW} = 16.5\text{ k}\Omega$	0.415		
			$R_{LOW} = 14.3\text{ k}\Omega$	0.3666		
			$R_{LOW} = 12.1\text{ k}\Omega$	0.3163		
			$R_{LOW} = 10\text{ k}\Omega$	0.2664		
$R_{LOW} = 7.87\text{ k}\Omega$	0.2138					
$R_{LOW} = 6.19\text{ k}\Omega$	0.1708					
$R_{LOW} = 4.64\text{ k}\Omega$	0.1299					
$R_{LOW} = 3.16\text{ k}\Omega$	0.0898					
$R_{LOW} = 1.78\text{ k}\Omega$	0.0512					
$R_{LOW} = 0\ \Omega$	GND					

Electrical Characteristics (continued)

over operating free-air temperature range, $V_{DD} = 12\text{ V}$, $V_{EN_UVLO} = 5\text{ V}$ (unless otherwise noted)

PARAMETER		TEST CONDITION	MIN	TYP	MAX	UNIT	
SOFT-START							
t_{SS}	Soft-start time	V_{OUT} rising from 0 V to 95% of final set point, $R_{MODE_HIGH} = 100\text{ k}\Omega$	$R_{MODE_LOW} = 60.4\text{ k}\Omega$	7	8 ⁽³⁾	10	ms
			$R_{MODE_LOW} = 53.6\text{ k}\Omega$	3.6	4 ⁽⁴⁾	5.2	
			$R_{MODE_LOW} = 47.5\text{ k}\Omega$	1.6	2	2.8	
			$R_{MODE_LOW} = 42.2\text{ k}\Omega$	0.8	1	1.6	
POWER-ON DELAY							
t_{PODLY}	Power-on delay time	Delay from enable to switching POD[2:0] = 000		256		μs	
		Delay from enable to switching POD[2:0] = 001		512		ms	
		Delay from enable to switching POD[2:0] = 010		1.024			
		Delay from enable to switching POD[2:0] = 011		2.048			
		Delay from enable to switching POD[2:0] = 100		4.096			
		Delay from enable to switching POD[2:0] = 101		8.192			
		Delay from enable to switching POD[2:0] = 110		16.384			
		Delay from enable to switching POD[2:0] = 111		32.768			
PGOOD COMPARATOR							
V_{PGTH}	PGOOD threshold	PGOOD in from higher	105	108	111	% V_{REF}	
		PGOOD in from lower	89	92	95		
		PGOOD out to higher		120			
		PGOOD out to lower		68			
I_{PG}	PGOOD sink current	$V_{PGOOD} = 0.5\text{ V}$		6.9		mA	
t_{PGDLY}	PGOOD delay time	Delay for PGOOD going in, PGD[2:0] = 000		256		μs	
		Delay for PGOOD going in, PGD[2:0] = 001		512		ms	
		Delay for PGOOD going in, PGD[2:0] = 010		1.024			
		Delay for PGOOD going in, PGD[2:0] = 011		2.048			
		Delay for PGOOD going in, PGD[2:0] = 100		4.096			
		Delay for PGOOD going in, PGD[2:0] = 101		8.192			
		Delay for PGOOD going in, PGD[2:0] = 110		16.384			
		Delay for PGOOD going in, PGD[2:0] = 111		131			
			Delay for PGOOD coming out				2
I_{PGLK}	PGOOD leakage current	$V_{PGOOD} = 5\text{ V}$	-1	0	1	μA	
CURRENT DETECTION							
I_{OCL_VA}	Valley current limit threshold	$R_{LIM} = 61.9\text{ k}\Omega$		30		A	
		OC tolerance		$\pm 15\%$ ⁽⁵⁾			
		$R_{LIM} = 51.1\text{ k}\Omega$		25		A	
		OC tolerance		$\pm 15\%$ ⁽⁵⁾			
$I_{OCL_VA_N}$	Negative valley current limit threshold	$R_{LIM} = 40.2\text{ k}\Omega$	17	20	23	A	
		$R_{LIM} = 61.9\text{ k}\Omega$		-30		A	
		$R_{LIM} = 51.1\text{ k}\Omega$		-25			
	$R_{LIM} = 40.2\text{ k}\Omega$		-20				
I_{CLMP_LO}	Clamp current at V_{LIM} clamp at lowest	$V_{LIM_CLMP} = 0.1\text{ V}$, $T_A = 25^\circ\text{C}$		5		A	
I_{CLMP_HI}	Clamp current at V_{LIM} clamp at highest	$V_{LIM_CLMP} = 1.2\text{ V}$, $T_A = 25^\circ\text{C}$		50		A	

(3) In order to use the 8-ms SS setting, follow the steps outlined in [Application Workaround to Support 4-ms and 8-ms SS Settings](#).

(4) In order to use the 4-ms SS setting, follow the steps outlined in [Application Workaround to Support 4-ms and 8-ms SS Settings](#).

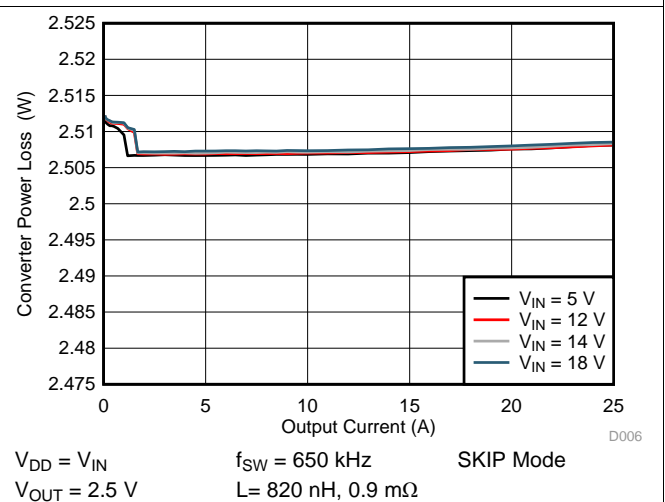
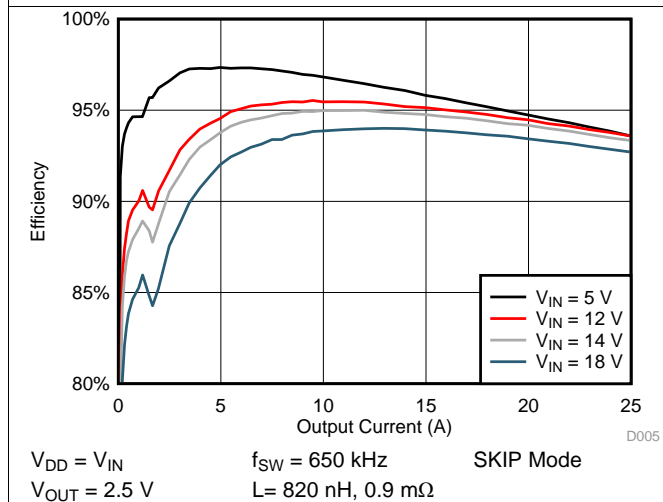
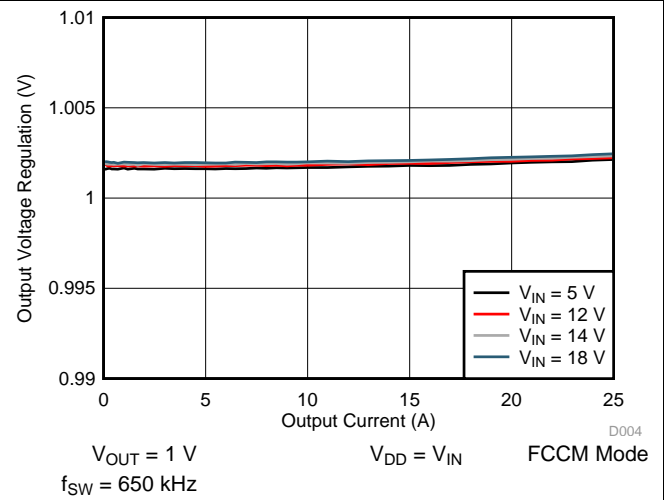
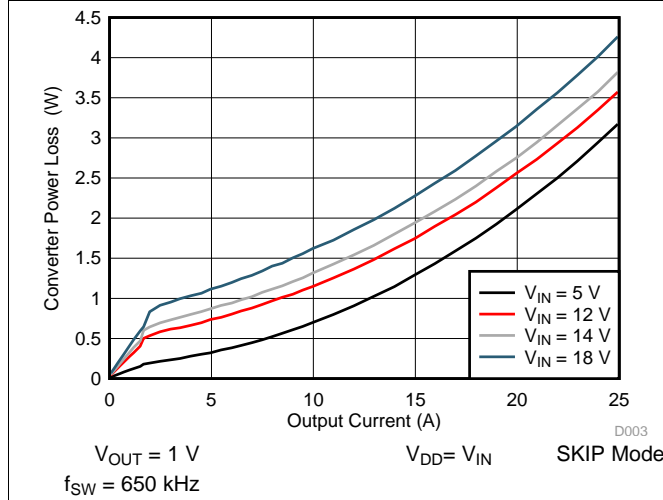
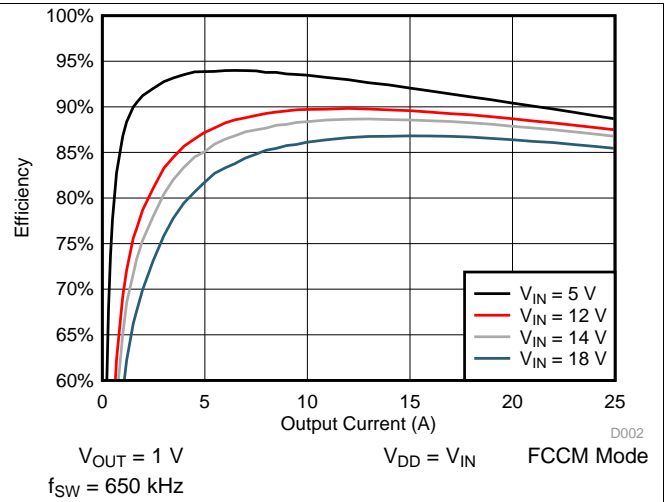
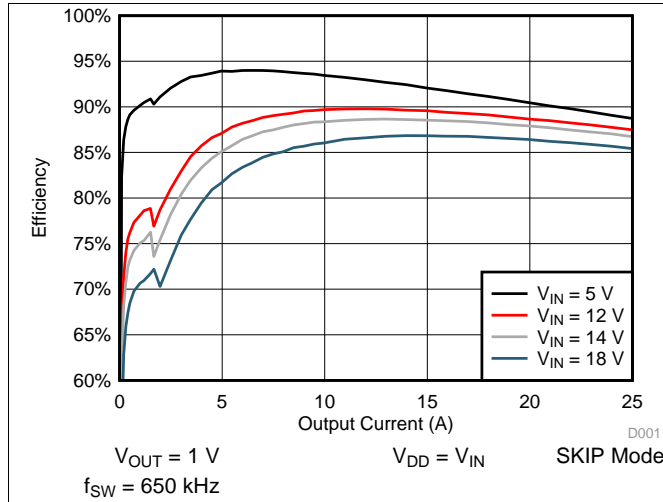
(5) Calculated from 20-A test data. Not production tested.

Electrical Characteristics (continued)

over operating free-air temperature range, $V_{DD} = 12\text{ V}$, $V_{EN_UVLO} = 5\text{ V}$ (unless otherwise noted)

PARAMETER		TEST CONDITION	MIN	TYP	MAX	UNIT
PROTECTIONS AND OOB						
V_{BPUVLO}	BP UVLO threshold voltage	Wake-up		3.32		V
		Shutdown		3.11		
V_{OVP}	OVP threshold voltage	OVP detect voltage	117%	120%	123%	V_{REF}
t_{OVPDLY}	OVP response time	100-mV over drive			1	μs
V_{UVP}	UVP threshold voltage	UVP detect voltage	65%	68%	71%	V_{REF}
t_{UVPDLY}	UVP delay filter delay time			1		ms
V_{OOB}	OOB threshold voltage			8%		V_{REF}
t_{HICDLY}	Hiccup blanking time	$t_{SS} = 1\text{ ms}$		16		ms
		$t_{SS} = 2\text{ ms}$		24		ms
		$t_{SS} = 4\text{ ms}$		38		ms
		$t_{SS} = 8\text{ ms}$		67		ms
BP VOLTAGE						
V_{BP}	BP LDO output voltage	$V_{IN} = 12\text{ V}$, $0\text{ A} \leq I_{LOAD} \leq 10\text{ mA}$,		5.07		V
V_{BPDO}	BP LDO dropout voltage	$V_{IN} = 4.5\text{ V}$, $I_{LOAD} = 30\text{ mA}$, $T_A = 25^\circ\text{C}$			365	mV
I_{BPMAX}	BP LDO overcurrent limit	$V_{IN} = 12\text{ V}$, $T_A = 25^\circ\text{C}$		100		mA
PMB_CLK and PMB_DATA INPUT BUFFER LOGIC THRESHOLDS						
$V_{IL-PMBUS}$	PMB_CLK and PMB_DATA low-level input voltage ⁽¹⁾				0.8	V
$V_{IH-PMBUS}$	PMB_CLK and PMB_DATA high-level input voltage ⁽¹⁾		1.35			V
$V_{HY-PMBUS}$	PMB_CLK and PMB_DATA hysteresis voltage ⁽¹⁾			150		mV
PMB_CLK and SMB_ALERT OUTPUT PULLDOWN						
$V_{OL-PMBUS}$	PMB_DATA and SMB_ALERT low-level output voltage ⁽¹⁾	$I_{SINK} = 20\text{ mA}$			0.4	V
THERMAL SHUTDOWN						
T_{SDN}	Built-In thermal shutdown threshold ⁽¹⁾	Shutdown temperature	155	165		°C
		Hysteresis			30	

6.6 Typical Characteristics



Typical Characteristics (continued)

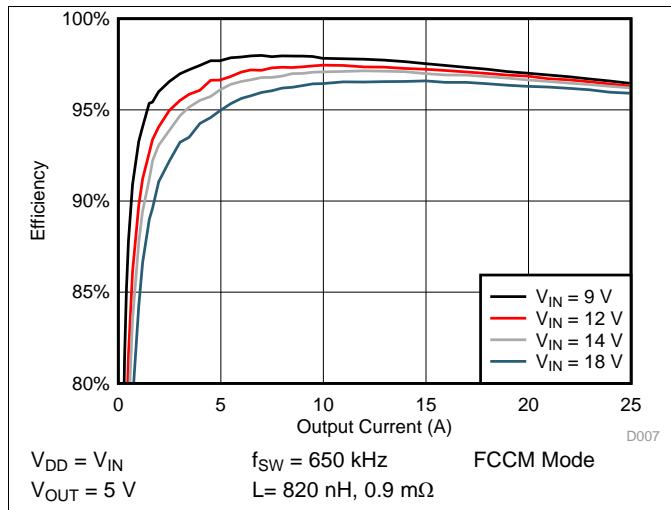


Figure 7. Efficiency vs Output Current

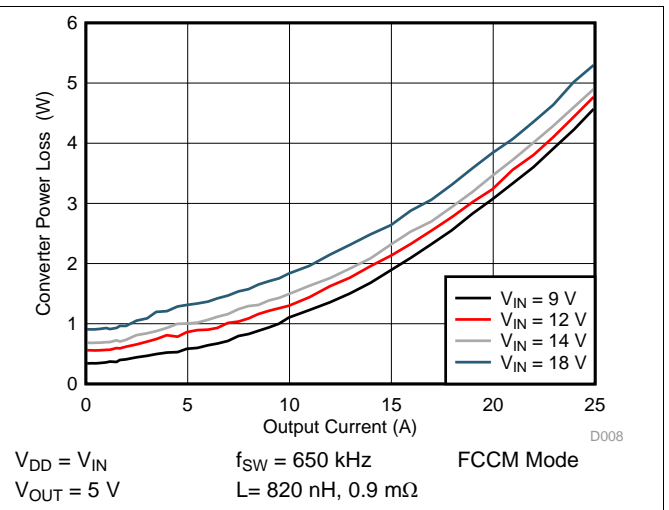


Figure 8. Power Loss vs Output Current

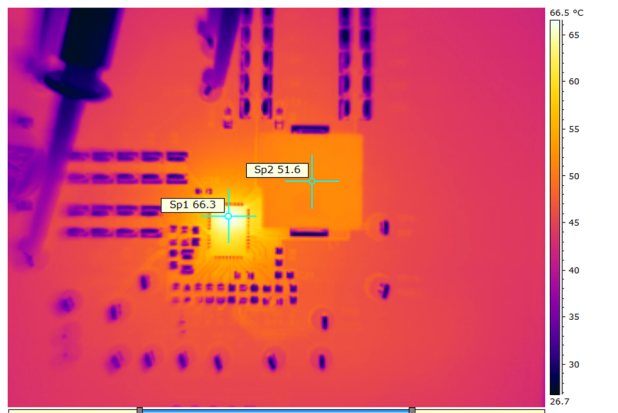


Figure 9. Thermal Image

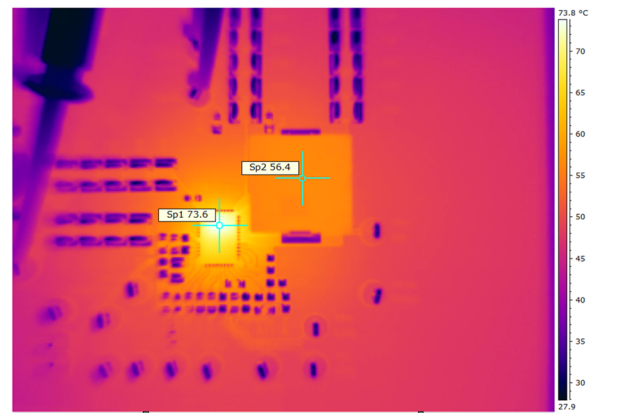


Figure 10. Thermal Image

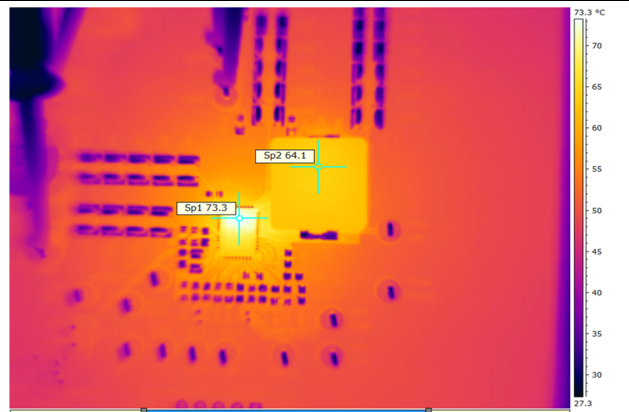


Figure 11. Thermal Image

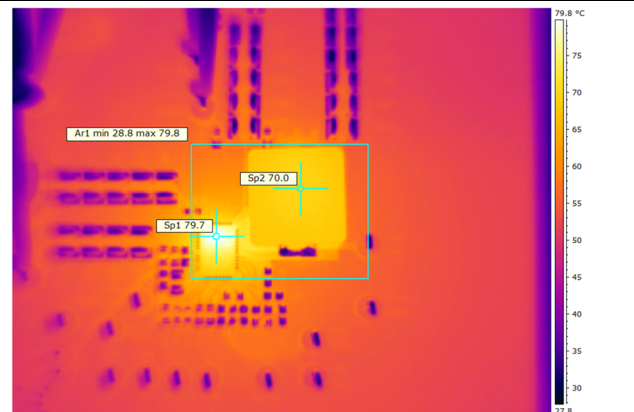


Figure 12. Thermal Image

Typical Characteristics (continued)

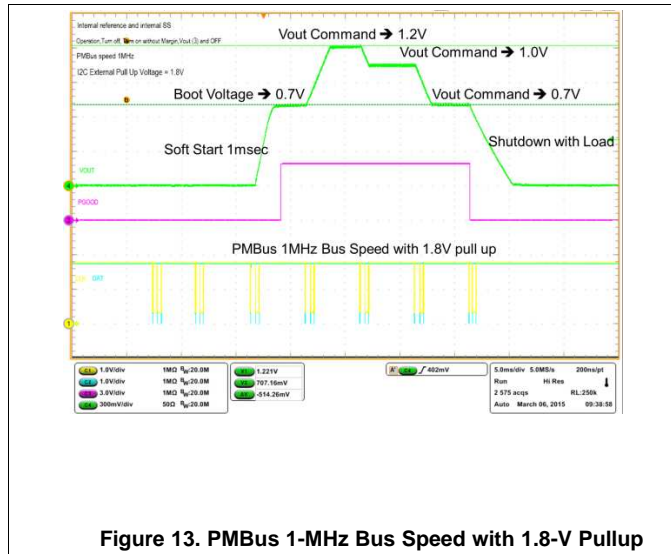
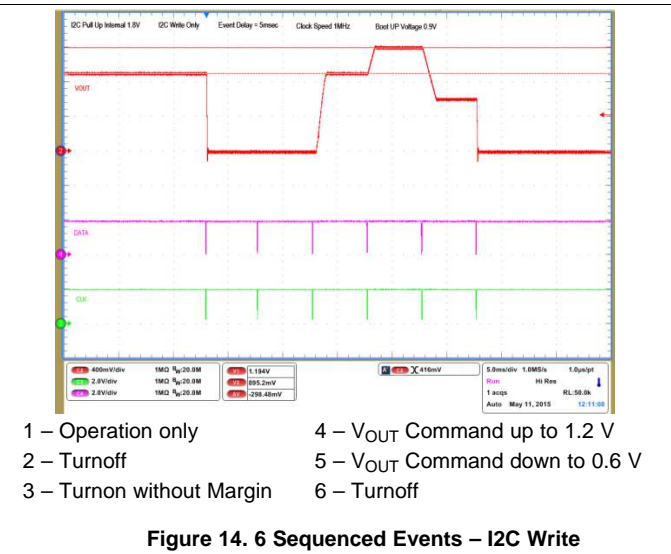
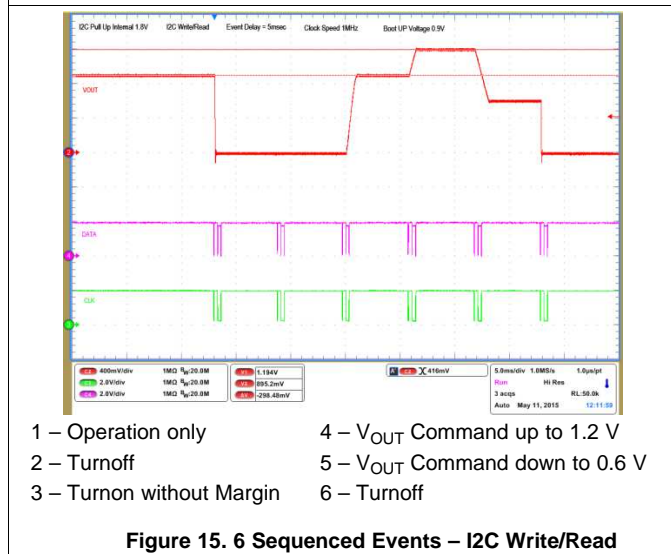


Figure 13. PMBus 1-MHz Bus Speed with 1.8-V Pullup



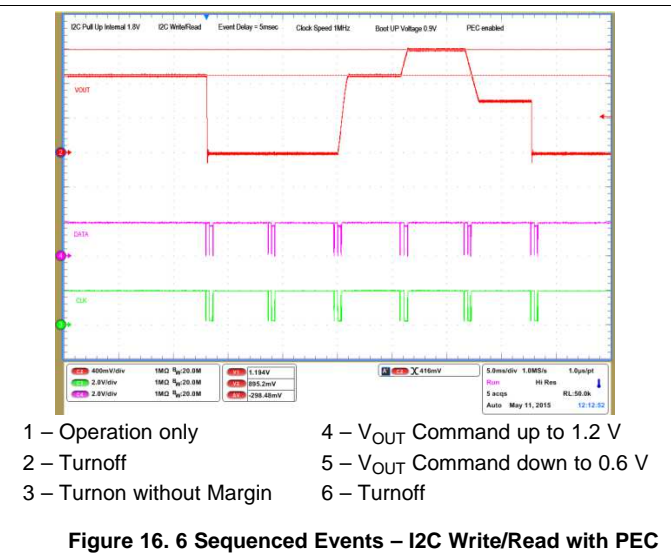
- 1 – Operation only
- 2 – Turnoff
- 3 – Turnon without Margin
- 4 – V_{OUT} Command up to 1.2 V
- 5 – V_{OUT} Command down to 0.6 V
- 6 – Turnoff

Figure 14. 6 Sequenced Events – I2C Write



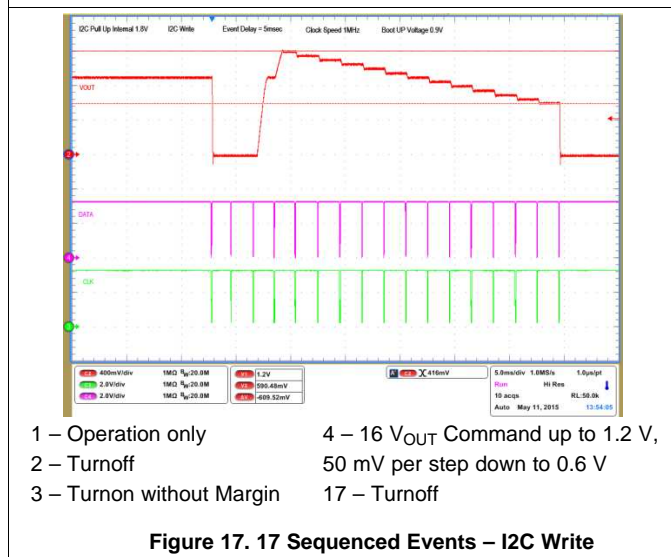
- 1 – Operation only
- 2 – Turnoff
- 3 – Turnon without Margin
- 4 – V_{OUT} Command up to 1.2 V
- 5 – V_{OUT} Command down to 0.6 V
- 6 – Turnoff

Figure 15. 6 Sequenced Events – I2C Write/Read



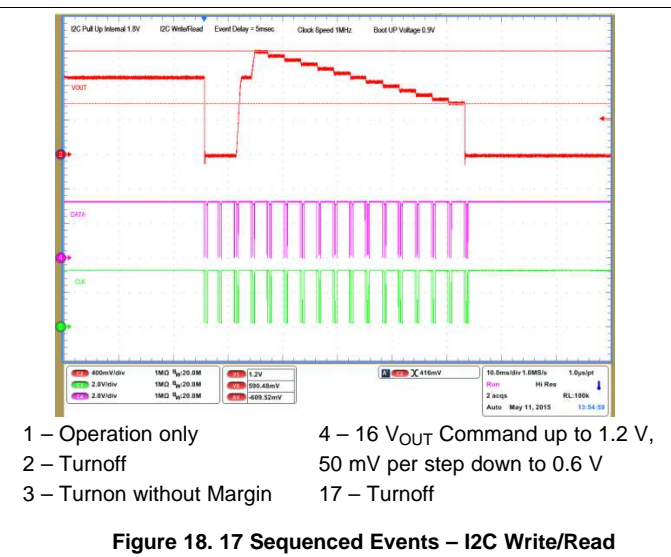
- 1 – Operation only
- 2 – Turnoff
- 3 – Turnon without Margin
- 4 – V_{OUT} Command up to 1.2 V
- 5 – V_{OUT} Command down to 0.6 V
- 6 – Turnoff

Figure 16. 6 Sequenced Events – I2C Write/Read with PEC



- 1 – Operation only
- 2 – Turnoff
- 3 – Turnon without Margin
- 4 – 16 V_{OUT} Command up to 1.2 V, 50 mV per step down to 0.6 V
- 17 – Turnoff

Figure 17. 17 Sequenced Events – I2C Write



- 1 – Operation only
- 2 – Turnoff
- 3 – Turnon without Margin
- 4 – 16 V_{OUT} Command up to 1.2 V, 50 mV per step down to 0.6 V
- 17 – Turnoff

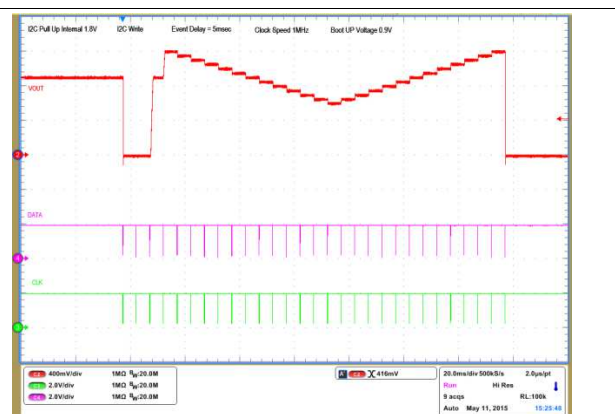
Figure 18. 17 Sequenced Events – I2C Write/Read

Typical Characteristics (continued)



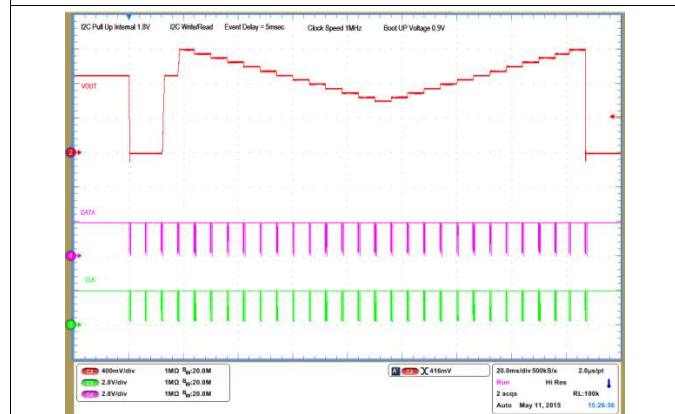
- 1 – Operation only
- 2 – Turnoff
- 3 – Turnon without Margin
- 4 – 16 V_{OUT} Command up to 1.2 V, 50 mV per step down to 0.6 V
- 17 – Turnoff

Figure 19. 17 Sequenced Events – I2C Write/Read with PEC



- 1 – Operation only
- 2 – Turnoff
- 3 – Turnon without Margin
- 4 – 16 V_{OUT} Command up to 1.2 V, 50 mV per step down to 0.6 V
- 17 – 28 V_{OUT} Command from 0.6 V to 1.2 V, 50 mV per step
- 29 – Turnoff

Figure 20. 29 Sequenced Events – I2C Write



- 1 – Operation only
- 2 – Turnoff
- 3 – Turnon without Margin
- 4 – 16 V_{OUT} Command up to 1.2 V, 50 mV per step down to 0.6 V
- 17 – 28 V_{OUT} Command from 0.6 V to 1.2 V, 50 mV per step
- 29 – Turnoff

Figure 21. 29 Sequenced Events – I2C Write/Read



- 1 – Operation only
- 2 – Turnoff
- 3 – Turnon without Margin
- 4 – 16 V_{OUT} Command up to 1.2 V, 50 mV per step down to 0.6 V
- 17 – 28 V_{OUT} Command from 0.6 V to 1.2 V, 50 mV per step
- 29 – Turnoff

Figure 22. 29 Sequenced Events – I2C Write/Read with PEC

7 Detailed Description

7.1 Overview

TPS549B22 device is a high-efficiency, single-channel, FET-integrated, synchronous buck converter. It is suitable for point-of-load applications with 25 A or lower output current in storage, telecom and similar digital applications. The device features proprietary D-CAP3 mode control combined with adaptive on-time architecture. This combination is ideal for building modern high/low duty ratio, ultra-fast load step response DC-DC converters.

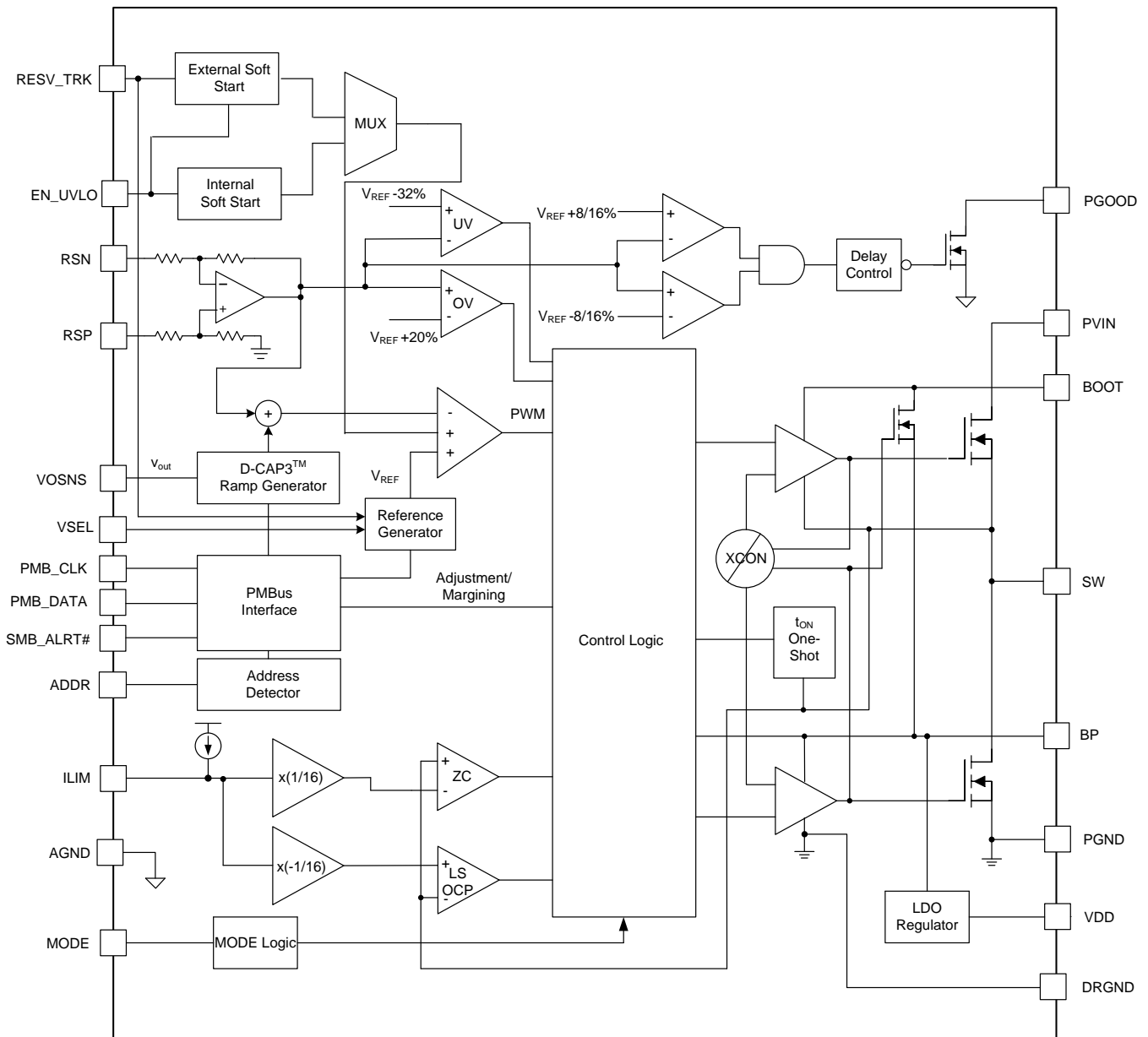
TPS549B22 device has integrated MOSFETs rated at 25-A TDC.

The converter input voltage range is from 1.5 V up to 18 V, and the V_{DD} input voltage range is from 4.5 V to 22 V. The output voltage ranges from 0.6 V to 5.5 V.

Stable operation with all ceramic output capacitors is supported as the D-CAP3 mode uses emulated current information to control the modulation. An advantage of this control scheme is that it does not require phase compensation network outside which makes it easy to use and also enables low external component count. . Adaptive on-time control tracks the preset switching frequency over a wide range of input and output voltage while increasing switching frequency as needed during load step transient.

The default preset switching frequency for this device is 650 kHz. Switching frequency is also programmable from 8 preset values via PMBus interface. supports digital communication via PMBus using standard interfacing pins, PMB_CLK, PMB_DATA and SMB_ALRT#. The detailed PMBus features, capabilities and command sets of the TPS549B22 can be found in [PMBus Programming](#).

7.2 Functional Block Diagram



Copyright © 2017, Texas Instruments Incorporated

7.3 Feature Description

7.3.1 25-A FET

The TPS549B22 device is a high-performance, integrated FET converter supporting current rating up to 25 A thermally. It integrates two N-channel NexFET™ power MOSFETs, enabling high power density and small PCB layout area. The drain-to-source breakdown voltage for these FETs is 25-V DC and 27-V transient for 10 ns. Avalanche breakdown occurs if the absolute maximum voltage rating exceeds 27 V. In order to limit the switch node ringing of the device, TI recommends adding an R-C snubber from the SW node to the PGND pins. Refer to [Layout Guidelines](#) for the detailed recommendations.

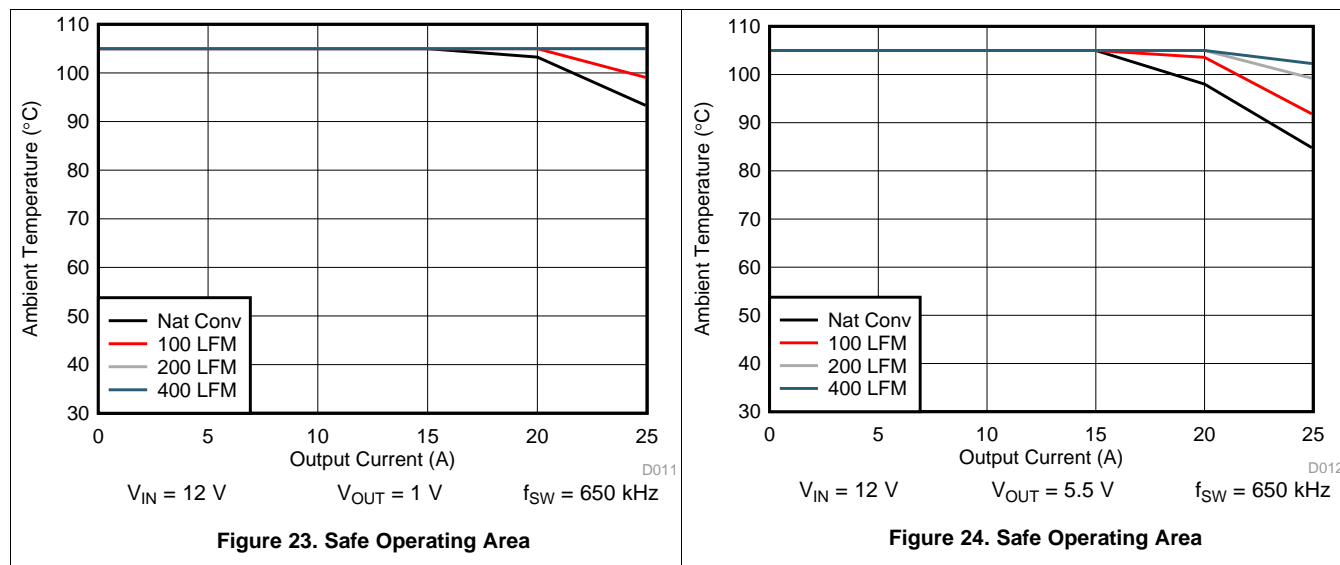
7.3.2 On-Resistance

The typical on-resistance ($R_{DS(on)}$) for the high-side MOSFET is 4.1 mΩ, and typical on-resistance for the low-side MOSFET is 1.9 mΩ with a nominal gate voltage (V_{GS}) of 5 V.

Feature Description (continued)

7.3.3 Package Size, Efficiency and Thermal Performance

The TPS549B22 device is available in a 7 mm × 5 mm QFN package with 40 power and I/O pins. The device employs TI proprietary MCM packaging technology with thermal pad. With a properly designed system layout, applications achieve optimized safe operating area (SOA) performance. The curves shown in Figure 23 and Figure 24 are based on the orderable evaluation module design. (See www.ti.com to order the EVM.)



7.3.4 Soft-Start Operation

In the TPS549B22 device the soft-start time controls the inrush current required to charge the output capacitor bank during start-up. The device offers selectable soft-start options of 1 ms, 2 ms, 4 ms and 8 ms. When the device is enabled (either by EN or V_{DD} UVLO), the reference voltage ramps from 0 V to the final level defined by VSEL pin-strap configuration, in a given soft-start time. The TPS549B22 device supports several soft-start times between 1 ms and 8 ms selected by MODE pin configuration. Refer to MODE definition table for details.

7.3.5 V_{DD} Supply Undervoltage Lockout (UVLO) Protection

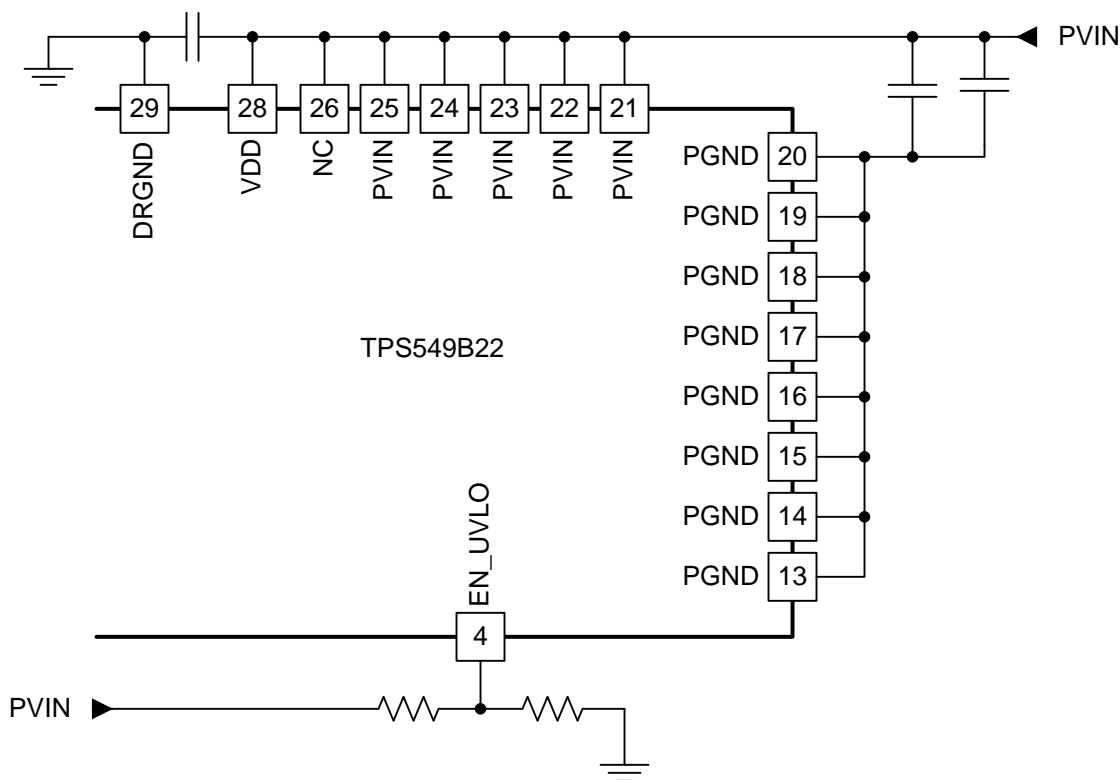
The TPS549B22 device provides fixed V_{DD} undervoltage lockout threshold and hysteresis. The typical V_{DD} turnon threshold is 4.25 V, and hysteresis is 0.2 V. The V_{DD} UVLO can be used in conjunction with the EN_UVLO signal to provide proper power sequence to the converter design. UVLO is a non-latched protection.

7.3.6 EN_UVLO Pin Functionality

The EN_UVLO pin drives an input buffer with accurate threshold and can be used to program the exact required turnon and turnoff thresholds for switcher enable, V_{DD} UVLO or VIN UVLO (if VIN and VDD are tied together). If desired, an external resistor divider can be used to set and program the turnon threshold for V_{DD} or VIN UVLO.

Figure 25 shows how to program the input voltage UVLO using the EN_UVLO pin.

Feature Description (continued)



Copyright © 2017, Texas Instruments Incorporated

Figure 25. Programming the UVLO Voltage

7.3.7 Fault Protections

This section describes positive and negative overcurrent limits, overvoltage protections, out-of-bounds limits, undervoltage protections, and overtemperature protections.

7.3.7.1 Current Limit (ILIM) Functionality

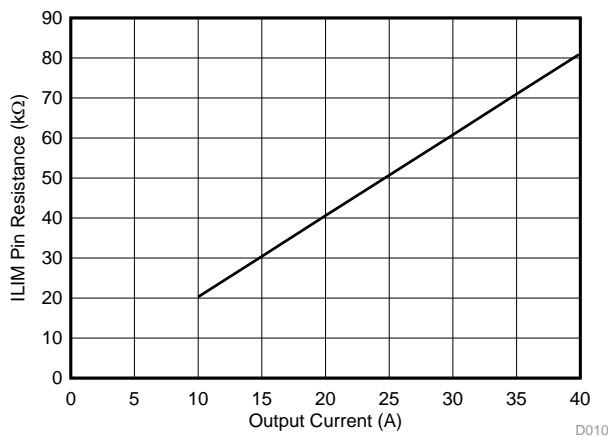


Figure 26. Current Limit Resistance vs OCP Valley Overcurrent Limit

The ILIM pin sets the OCP level. Connect the ILIM pin to GND through the voltage setting resistor, R_{ILIM} . In order to provide both good accuracy and a cost-effective solution, the TPS549B22 device supports temperature compensated internal MOSFET $R_{DS(on)}$ sensing.

Feature Description (continued)

Also, the TPS549B22 device performs both positive and negative inductor current limiting with the same magnitudes. The positive current limit normally protects the inductor from saturation that causes damage to the high-side FET and low-side FET. The negative current limit protects the low-side FET during OVP discharge.

The voltage between GND pin and SW pin during the OFF time monitors the inductor current. The current limit has 1200 ppm/°C temperature slope to compensate the temperature dependency of the on-resistance ($R_{DS(on)}$). The GND pin is used as the positive current sensing node.

The TPS549B22 device uses cycle-by-cycle over-current limiting control. The inductor current is monitored during the OFF-state and the controller maintains the OFF-state during the period that the inductor current is larger than the overcurrent I_{LIM} level. V_{LIM} sets the valley level of the inductor current.

7.3.7.2 V_{DD} Undervoltage Lockout (UVLO)

The TPS549B22 device has an UVLO protection function for the V_{DD} supply input. The on-threshold voltage is 4.25 V with 200 mV of hysteresis. During a UVLO condition, the device is disabled regardless of the EN_UVLO pin voltage. The supply voltage (V_{VDD}) must be above the on-threshold to begin the pin strap detection.

7.3.7.3 Overvoltage Protection (OVP) and Undervoltage Protection (UVP)

The device monitors a feedback voltage to detect overvoltage and undervoltage. When the feedback voltage becomes lower than 68% of the target voltage, the UVP comparator output goes high and an internal UVP delay counter begins counting. After 1 ms, the device latches OFF both high-side and low-side MOSFETs drivers. The UVP function enables after soft-start is complete.

When the feedback voltage becomes higher than 120% of the target voltage, the OVP comparator output goes high and the circuit latches OFF the high-side MOSFET driver and turns on the low-side MOSFET until reaching a negative current limit. Upon reaching the negative current limit, the low-side FET is turned off and the high-side FET is turned on again for a minimum on-time. The TPS549B22 device operates in this cycle until the output voltage is pulled down under the UVP threshold voltage for 1 ms. The fault is cleared with a reset of VDD or by retoggling the EN pin.

Table 1. Overvoltage Protection Details

REFERENCE VOLTAGE (V_{REF})	SOFT-START RAMP	START-UP OVP THRESHOLD	OPERATING OVP THRESHOLD	OVP DELAY 100 mV OD (μ s)	OVP RESET
Internal	Internal	$1.2 \times \text{Internal } V_{REF}$	$1.2 \times \text{Internal } V_{REF}$	1	UVP

7.3.7.4 Out-of-Bounds Operation

The device has an out-of-bounds (OOB) overvoltage protection that protects the output load at a much lower overvoltage threshold of 8% above the target voltage. OOB protection does not trigger an overvoltage fault, so the device is not latched off after an OOB event. OOB protection operates as an early no-fault overvoltage-protection mechanism. During the OOB operation, the controller operates in forced PWM mode only by turning on the low-side FET. Turning on the low-side FET beyond the zero inductor current quickly discharges the output capacitor thus causing the output voltage to fall quickly toward the setpoint. During the operation, the cycle-by-cycle negative current limit is also activated to ensure the safe operation of the internal FETs.

7.3.7.5 Overtemperature Protection

TPS549B22 device has overtemperature protection (OTP) by monitoring the die temperature. If the temperature exceeds the threshold value (default value 165°C), TPS549B22 device is shut off. When the temperature falls about 25°C below the threshold value, the device turns on again. The OTP is a non-latch protection.

7.4 Device Functional Modes

7.4.1 DCAP3 Control Topology

The TPS549B22 employs an artificial ramp generator that stabilizes the loop. The ramp amplitude is automatically adjusted as a function of selected switching frequency (f_{sw}). The ramp amplitude is a function of duty cycle (V_{OUT} -to- V_{IN} ratio). Consequently, two additional pin-strap bits are provided for fine tuning the internal ramp amplitude. The device uses an improved DCAP3 control loop architecture that incorporates a steady-state error integrator. The slow integrator improves the output voltage DC accuracy greatly and presents minimal impact to small signal transient response. To further enhance the small signal stability of the control loop, the device uses a modified ramp generator that supports a wider range of output LC stage.

7.4.2 DCAP Control Topology

For advanced users of this device, the internal DCAP3 ramp can be disabled using the MODE[4] pin-strap bit. This situation requires an external RCC network to ensure control loop stability. Place this RCC network across the output inductor. Use a range between 10 mV and 15 mV of injected RSP pin ripple. If no feedback resistor divider network is used, insert a 10-k Ω resistor between the VOUT pin and the RSP pin.

7.5 Programming

7.5.1 Programmable Pin-Strap Settings

ADDR, VSEL and MODE. Description: a 1% or better 100-k Ω resistor is needed from BP to each of the three pins. The bottom resistor from each pin to ground (see **MODE**, **VSEL**, **ADDR DETECTION** section of the [Electrical Characteristics](#) table) in conjunction with the top resistor defines each pin strap selection. The pin detection checks for external resistor divider ratio during initial power up (V_{DD} is brought down below approximately 3 V) when BP LDO output is at approximately 2.9 V.

7.5.1.1 Address Selection (ADDR) Pin

The TPS549B22 allows up to 16 different chip addresses for PMBus communication with the first 3 bits fixed as 001. The address selection process is defined by resistor divider ratio from BP pin to ADDR pin, and the address detection circuit starts to work only after the initial power up when V_{DD} has risen above its UVLO threshold. [Table 4](#) lists all combinations of the address selections. The 1% or better tolerance resistors with typical temperature coefficient of ± 100 ppm/ $^{\circ}$ C are recommended.

ADDR pin-strap configuration also programs the light load conduction mode.

7.5.1.2 VSEL Pin

VSEL pin strap configuration is used to program initial boot voltage value, hiccup mode and latch off mode. The initial boot voltage is used to program the main loop voltage reference point. VSEL voltage settings provide TI designated discrete internal reference voltages. [Table 2](#) lists internal reference voltage selections.

Table 2. Internal Reference Voltage Selections

VSEL[4]	VSEL[3]	VSEL[2]	VSEL[1]	VSEL[0]	R _{VSEL} (kΩ) ⁽¹⁾
1111: 0.975 V				1: Latch-Off	Open
				0: Hiccup	187
1110: 1.1992 V				1: Latch-Off	165
				0: Hiccup	147
1101: 1.1504 V				1: Latch-Off	133
				0: Hiccup	121
1100: 1.0996 V				1: Latch-Off	110
				0: Hiccup	100
1011: 1.0508 V				1: Latch-Off	90.9
				0: Hiccup	82.5
1010: 1.0000 V				1: Latch-Off	75
				0: Hiccup	68.1
1001: 0.9492 V				1: Latch-Off	60.4
				0: Hiccup	53.6
1000: 0.9023 V				1: Latch-Off	47.5
				0: Hiccup	42.2
0111: 0.9004 V				1: Latch-Off	37.4
				0: Hiccup	33.2
0110: 0.8496 V				1: Latch-Off	29.4
				0: Hiccup	25.5
0101: 0.8008 V				1: Latch-Off	22.1
				0: Hiccup	19.1
0100: 0.7500 V				1: Latch-Off	16.5
				0: Hiccup	14.3
0011: 0.6992 V				1: Latch-Off	12.1
				0: Hiccup	10
0010: 0.6504 V				1: Latch-Off	7.87
				0: Hiccup	6.19
0001: 0.5996 V				1: Latch-Off	4.64
				0: Hiccup	3.16
0000: 0.975 V				1: Latch-Off	1.78
				0: Hiccup	0

(1) 1% or better and connect to ground

7.5.1.3 DCAP3 Control and Mode Selection

The MODE pinstrap configuration programs the control topology and internal soft-start timing selections. The TPS549B22 device supports both DCAP3 and DCAP operation

MODE[4] selection bit is used to set the control topology. If MODE[4] bit is 0, it selects DCAP operation. If MODE[4] bit is 1, it selects DCAP3 operation.

MODE[1] and MODE[0] selection bits are used to set the internal soft-start timing.

Table 3. Allowable MODE Pin Selections

MODE[4]	MODE[3]	MODE[2]	MODE[1]	MODE[0]	R _{MODE} (kΩ) ⁽¹⁾
1: DCAP3	0: Internal Reference	0: Internal SS	11: 8 ms ⁽²⁾		60.4
			10: 4 ms ⁽²⁾		53.6
			01: 2 ms		47.5
			00: 1 ms		42.2
0: DCAP	0: Internal Reference	0: Internal SS	11: 8 ms ⁽²⁾		4.64
			10: 4 ms ⁽²⁾		3.16
			01: 2 ms		1.78
			00: 1 ms		0

(1) 1% or better and connect to ground

(2) See [Application Workaround to Support 4-ms and 8-ms SS Settings](#).

7.5.1.4 Application Workaround to Support 4-ms and 8-ms SS Settings

In order to properly design for 4-ms and 8-ms SS settings, additional application consideration is needed. The recommended application workaround to support the 4-ms and 8-ms soft-start settings is to ensure sufficient time delay between the V_{DD} and EN_UVLO signals. The minimum delay between the rising maximum V_{DD} UVLO level and the minimum turn on threshold of EN_UVLO is at least T_{DELAY_MIN}.

$$T_{DELAY_MIN} = K \times V_{REF}$$

where

- K = 9 ms/V for SS setting of 4 ms
- K = 18 ms/V for SS setting of 8 ms
- V_{REF} is the internal reference voltage programmed by VSEL pin strap (1)

For example, if SS setting is 4 ms and V_{REF} = 1 V, program the minimum delay at least 9 ms; if SS setting is 8 ms, the minimum delay should be programmed at least 18 ms. See [Figure 27](#) and [Figure 28](#) for detailed timing requirement. Because TPS549B22 is a PMBus device, the end user has the option of programming power-on delay (POD) as another workaround. Be sure to follow the same calculation to determine the needed POD (see [MFR_SPECIFIC_01 \(address = D1h\)](#) and [Table 25](#) for detailed information).

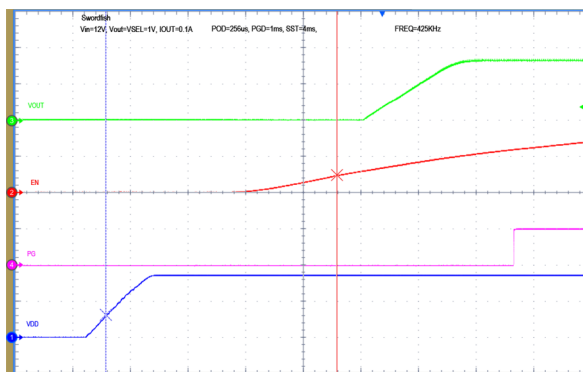


Figure 27. Proper Sequencing of V_{DD} and EN_UVLO to Support the use of 4-ms SS Setting

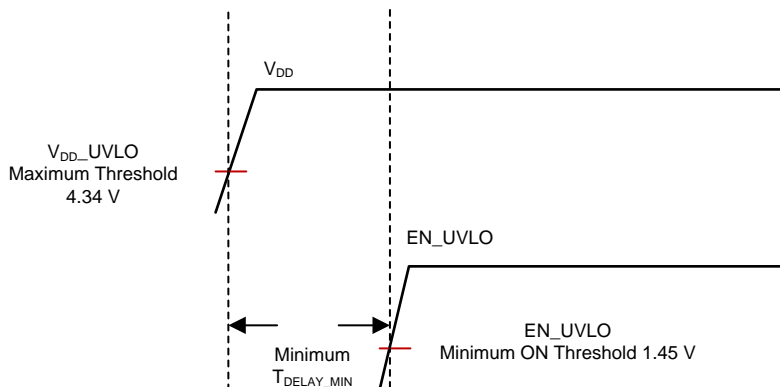


Figure 28. Minimum Delay Between V_{DD} and EN_UVLO to Support the use of 4-ms and 8-ms SS settings

The workaround/consideration described previously is not required for SS settings of 1 ms and 2 ms.

7.5.2 Programmable Analog Configurations

7.5.2.1 RSP/RSN Remote Sensing Functionality

RSP and RSN pins are used for remote sensing purpose. In the case where feedback resistors are required for output voltage programming, connect the RSP pin to the mid-point of the resistor divider, and connect the RSN pin to the load return. In the case where feedback resistors are not required as when the VSEL programs the output-voltage setpoint, connect the RSP pin to the positive sensing point of the load, and the RSN pin must always be connected to the load return.

RSP and RSN pins are extremely high-impedance input terminals of the true differential remote sense amplifier. The feedback resistor divider must use resistor values much less than 100 k Ω .

7.5.2.1.1 Output Differential Remote Sensing Amplifier

The examples in this section show simplified remote sensing circuitry where each example uses an internal reference of 1 V. [Figure 29](#) shows remote sensing without feedback resistors, with an output voltage setpoint of 1 V. [Figure 30](#) shows remote sensing using feedback resistors, with an output voltage setpoint of 5 V.

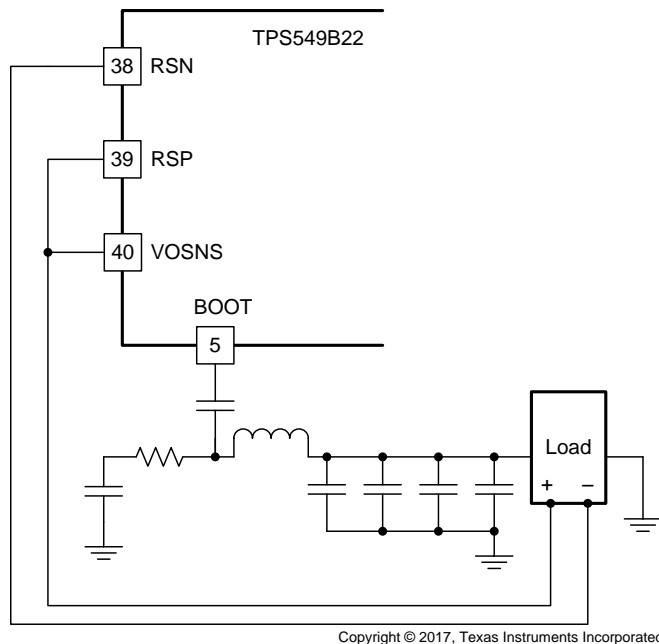


Figure 29. Remote Sensing Without Feedback Resistors

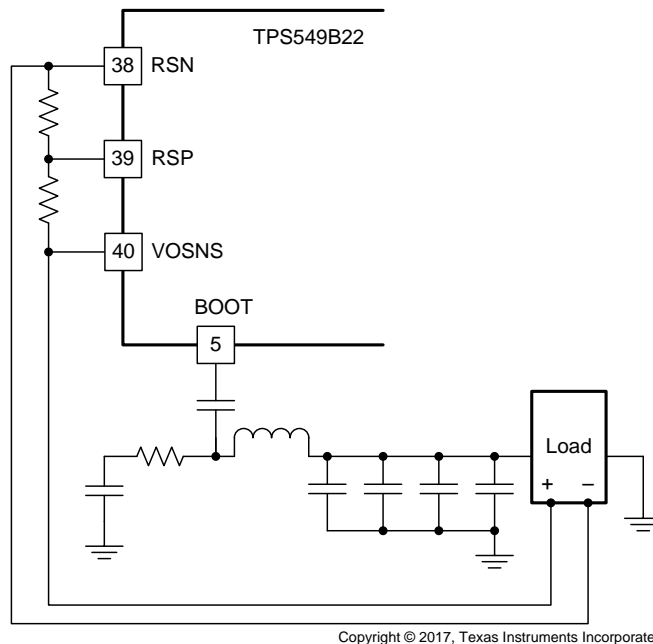


Figure 30. Remote Sensing With Feedback Resistors

7.5.2.2 Power Good (PGOOD Pin) Functionality

The TPS549B22 device has power-good output that registers high when switcher output is within the target. The power-good function is activated after soft start has finished. When the soft-start ramp reaches 300 mV above the internal reference voltage, SS end signal goes high to enable the PGOOD detection function. If the output voltage becomes within $\pm 8\%$ of the target value, internal comparators detect power-good state and the power-good signal becomes high after a 1-ms programmable delay. If the output voltage goes outside of $\pm 16\%$ of the target value, the power-good signal becomes low after two microsecond (2- μ s) internal delay. The open-drain power-good output must be pulled up externally. The internal N-channel MOSFET does not pull down until the V_{DD} supply is above 1.2 V.

7.5.3 PMBus Programming

TPS549B22 has seven internal custom user-accessible 8-bit registers. The PMBus interface has been designed for program flexibility, supporting direct format for write operation. Read operations are supported for both combined format and stop separated format. While there is no auto increment/decrement capability in the TPS549B22 PMBus logic, a tight software loop can be designed to randomly access the next register independent of which register was accessed first. The start and stop commands frame the data packet and the repeat start condition is allowed when necessary.

7.5.3.1 TPS549B22 Limitations to the PMBUS Specifications

TPS549B22 only recognizes seven bit addressing. This means TPS549B22 is not compatible with ten bit addressing and CBUS communication. The device can operate in standard mode (100 kbit/s), fast mode (400 kbit/s) or faster mode (1000 kbit/s).

7.5.3.2 Slave Address Assignment

The seven bit slave address is $001A_3A_2A_1A_0x$, where $A_3A_2A_1A_0$ is set by the ADDR pin on the device. Bit 0 is the data direction bit, i.e. $001A_3A_2A_1A_00$ is used for write operation and $001A_3A_2A_1A_01$ is used for read operation.

7.5.3.3 PMBUS Address Selection

TPS549B22 allows up to 16 different chip addresses for PMBus communication, with the first three bits fixed as 001. The address selection process is defined by the resistor divider ratio from BP pin to ADDR pin, and the address detection circuit will start to work only after V_{DD} input supply has risen above its UVLO threshold. [Table 4](#) lists the divider ratio and some example resistor values. The 1% tolerance resistors with typical temperature coefficient of ± 100 ppm/ $^{\circ}\text{C}$ are recommended. Higher performance resistors can be used if tighter noise margin is required for more reliable address detection.

7.5.3.4 Supported Formats

The supported formats are described in the following subsections.

7.5.3.4.1 Direct Format — Write

The simplest format for a PMBus write is direct format. After the start condition [S], the slave chip address is sent, followed by an eighth bit indicating a write. TPS549B22 then acknowledges that it is being addressed, and the master responds with an 8-bit register address byte. The slave acknowledges and the master sends the appropriate 8-bit data byte. Once again the slave acknowledges and the master terminates the transfer with the stop condition [P].

7.5.3.4.2 Combined Format — Read

After the start condition [S], the slave chip address is sent, followed by an eighth bit indicating a write. TPS549B22 then acknowledges that it is being addressed, and the master responds with an 8-bit register address byte. The slave acknowledges and the master sends the repeated start condition [Sr]. Once again, the slave chip address is sent, followed by an eighth bit indicating a read. The slave responds with an acknowledge followed by previously addressed 8-bit data byte. The master then sends a non-acknowledge (NACK) and finally terminates the transfer with the stop condition [P].

7.5.3.5 Stop Separated Reads

Stop-separated reads can also be used. This format allows a master to set up the register address pointer for a read and return to that slave at a later time to read the data. In this format the slave chip address followed by a write bit are sent after a start [S] condition. TPS549B22 then acknowledges it is being addressed, and the master responds with the 8-bit register address byte. The master then sends a stop or restart condition and may then address another slave. After performing other tasks, the master can send a start or restart condition to the TPS549B22 with a read command. The device acknowledges this request and returns the data from the register location that had been set up previously.

Table 4. ADDR Pin Selection Table

PMBus_Address<3:0>				CM	RADDR (kΩ) (1% or better and connect to ground)
1	1	1	1	1: FCCM	Open
				0: SKIP	187
1	1	1	0	1: FCCM	165
				0: SKIP	147
1	1	0	1	1: FCCM	133
				0: SKIP	121
1	1	0	0	1: FCCM	110
				0: SKIP	100
1	0	1	1	1: FCCM	90.9
				0: SKIP	82.5
1	0	1	0	1: FCCM	75
				0: SKIP	68.1
1	0	0	1	1: FCCM	60.4
				0: SKIP	53.6
1	0	0	0	1: FCCM	47.5
				0: SKIP	42.2
0	1	1	1	1: FCCM	37.4
				0: SKIP	33.2
0	1	1	0	1: FCCM	29.4
				0: SKIP	25.5
0	1	0	1	1: FCCM	22.1
				0: SKIP	19.1
0	1	0	0	1: FCCM	16.5
				0: SKIP	14.3
0	0	1	1	1: FCCM	12.1
				0: SKIP	10
0	0	1	0	1: FCCM	7.87
				0: SKIP	6.19
0	0	0	1	1: FCCM	4.64
				0: SKIP	3.16
0	0	0	0	1: FCCM	1.78
				0: SKIP	0

7.5.3.6 Supported PMBUS Commands and Registers

Only the following PMBus commands are supported by TPS549B22, and not all parts of each command are supported.

Table 5. PMBUS Command and Register Table

CMD CODE	COMMAND NAME	DESCRIPTION	NVM?	TYPE	No. of DATA BYTES	BIT PATTERN
1h	OPERATION	The OPERATION command is used to turn the unit on and off in conjunction with the input from the EN pin. It is also used to cause the device to set the output voltage to the upper or lower margin voltages.	no	R/W Byte	1	00XX XX00 = Turn Off 1000 XX00 = Turn on (VOUT Margin off) 1001 0100 = Turn on (VOUT Margin Low, Ignore Fault) 1001 1000 = Turn on (VOUT Margin Low, Act on Fault) 1010 0100 = Turn on (VOUT Margin High, Ignore Fault) 1010 1000 = Turn on (VOUT Margin High, Act on Fault)
2h	ON_OFF_CONFIG	Configures the combination of EN pin input and serial bus commands needed to turn the unit on and off. This includes how the unit responds when power is applied.	yes	R/W Byte	1	0001 0011 = Act on neither OPERATION nor EN pin 0001 0111 = Act on EN pin and ignore OPERATION 0001 1011 = Act on OPERATION and ignore EN pin 0001 1111 = Act on OPERATION and Act on EN pin (requires both)
3h	CLEAR_FAULTS	Clears all fault status registers to 0x00 and deasserts SMBAlert. The "Unit is Off" bit in the status byte and "PGOOD# de-assertion" bit in the status word are not cleared when this command is issued.	no	Send Byte	0	No data. Write only.
10h	WRITE_PROTECT	Prevents unwanted writes to the device. This register can be over-written. This is not a permanent lock.	yes	R/W Byte	1	1000 0000 Only allow WRITE_PROTECT 0100 0000 Only allow WRITE_PROTECT and OPERATION 0010 0000 Only allow WRITE_PROTECT, OPERATION, ON_OFF_CONFIG and VOUT_COMMAND 0000 0000 Allow all writes
11h	STORE_DEFAULT_ALL	Copies Operating Memory to matching non-volatile Default Store Memory.	no	Send Byte	0	No data. Write only.
12h	RESTORE_DEFAULT_ALL	Restores all parameters from non-volatile Default Store Memory to Operating Memory	no	Send Byte	0	No data. Write only.
19h	CAPABILITY	This command provides a way for a host system to determine some key capabilities of a PMBus device, including PEC, Alert and Speed.	no	Read Byte	1	1101 0000 = PEC, 1-MHz bus speed, ALERT
20h	VOUT_MODE	Hard coded to linear mode with exponent of -9.	no	Read Byte	1	000x xxxx = Linear format. 0001 0111 = Exponent value of -9 (1.953 mV resolution)
21h	VOUT_COMMAND	Output voltage setpoint. DAC resolution is 1.9531 mV and range is -0.6 V to -1.200 V	yes	R/W Word	2	0000 0001 0011 0011 = 0.5996 V 0000 0010 0110 0110 = 1.1992 V
25h	VOUT_MARGIN_HIGH	Sets the voltage to which the output is to be changed when the OPERATION command is set to "MARGIN HIGH".	no	R/W Word	2	0000 0001 0011 0011 = 0.5996 V 0000 0010 0110 0110 = 1.1992 V
26h	VOUT_MARGIN_LOW	Sets the voltage to which the output is to be changed when the OPERATION command is set to "MARGIN LOW".	no	R/W Word	2	0000 0001 0011 0011 = 0.5996 V 0000 0010 0110 0110 = 1.1992 V
78h	STATUS_BYTE	Status of all fault conditions in a data byte.	no	Read Byte	1	See Table 6
79h	STATUS_WORD	Status of all fault conditions in two data bytes.	no	Read Word	2	See Table 6
7Ah	STATUS_VOUT	Returns one byte of information relating to the status of the output voltage related faults.	no	Read Byte	1	See Table 8
7Bh	STATUS_OUT	Returns one byte of information relating to the status of the output current related faults.	no	Read Byte	1	See Table 8

Table 5. PMBUS Command and Register Table (continued)

CMD CODE	COMMAND NAME	DESCRIPTION	NVM?	TYPE	No. of DATA BYTES	BIT PATTERN
7Eh	STATUS_CML	Status of communications, logic and memory in a data byte	no	Read Byte	1	XXX0 0000 = A valid or supported command has been received 0XX0 0000 = An invalid or unsupported command has been received 1XX0 0000 = An invalid or unsupported data has been received X0X0 0000 = A valid or supported data has been received X1X0 0000 = An invalid or unsupported data has been received XX00 0000 = Packet error check has failed XX10 0000 = Packet error check has succeeded
D0h	MFR_SPECIFIC_00	Customer programmable byte that does not affect chip functionality	yes	R/W Byte	1	Free format
D1h	MFR_SPECIFIC_01	Program PGOOD delay and Power-On delay	yes	R/W Byte	1	
D2h	MFR_SPECIFIC_02	Read SST, CM, HICLOFF, TRK and SEQ. Program Forced SKIP Soft Start.	yes	R/W Byte	1	
D3h	MFR_SPECIFIC_03	Program Fsw and control mode, Read RC ramp	yes	R/W Byte	1	
D4h	MFR_SPECIFIC_04	Program the DCAP3 offset	yes	R/W Byte	1	
D6h	MFR_SPECIFIC_06	Program the V _{DD} UVLO level	yes	R/W Byte	1	
D7h	MFR_SPECIFIC_07	Program the final tracking set point and select pseudo/external tracking	yes	R/W Byte	1	
FCh	MFR_SPECIFIC_44	Read TI PMBUS GUI Devcie ID and IC revision code	no	Read Word	2	

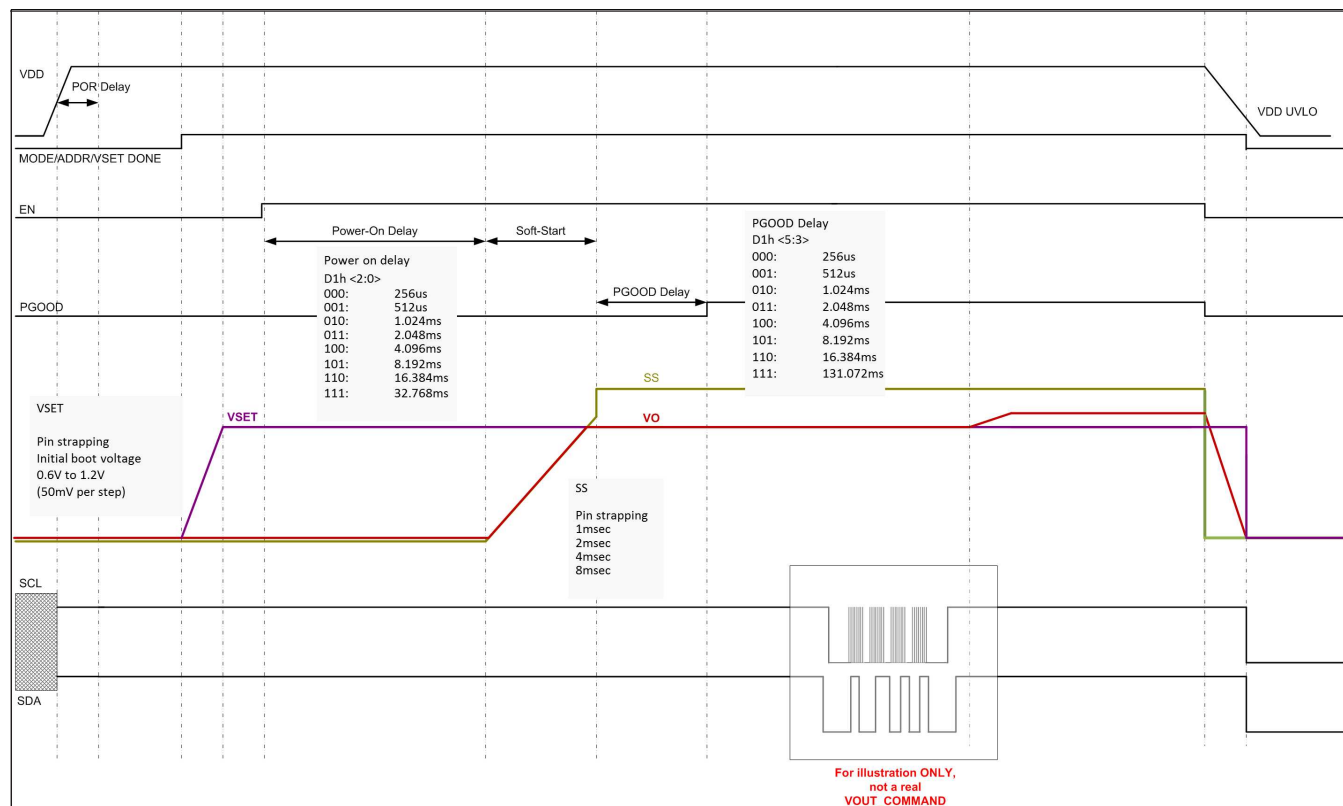


Figure 31. Start-up and VOUT_COMMAND Timing Diagram

Table 6. Status Word Summary Table

BITS	NAME	MEANING
Low 7	not used	not used
Low 6	OFF	Unit is not providing power to the output
Low 5	VOUT_OV_FAULT	Output overvoltage
Low 4	IOUT_OC_FAULT	Output overcurrent
Low 3	VDD_UV_FAULT	Input V_{DD} undervoltage
Low 2	TEMP	Internal die temperature. Overtemperature fault
Low 1	CML	Communications, logic or memory fault
Low 0	OTHER	None of the above in the PMBUS spec
High 7	VOUT	Any output voltage fault or warning
High 6	IOUT	Any output current fault or warning
High 5	VDD_UV_FAULT	Input V_{DD} undervoltage
High 4	not used	Not used
High 3	PGOOD#	Power good de-asserted
High 2	not used	not used
High 1	not used	not used
High 0	not used	not used

Table 7. Status V_{OUT} Summary Table

BITS	NAME	MEANING
7	OVF	Overvoltage fault
6	OVW	Overvoltage warning
5	UVW	Undervoltage warning
4	UVF	Undervoltage fault
3	not used	not used
2	not used	not used
1	not used	not used

Table 8. Status I_{OUT} Summary Table

BITS	NAME	MEANING
7	OCF	Overcurrent fault
6	OCUVF	Overcurrent and output undervoltage fault
5	not used	not used
4	UCF	Negative overcurrent limit
3	not used	not used
2	not used	not used
1	not used	not used
0	not used	not used

7.6 Register Maps

7.6.1 OPERATION Register (address = 1h)

Figure 32. OPERATION

7	6	5	4	3	2	1	0
On_OFF	0	OPMARGIN<3:0>				0	0
R/W	R/W	R/W				R	R

RLEGEND: R/W = Read/Write; R = Read only; -n = value after reset

Table 9. OPERATION

Bit	Field	Type	Reset	Description
7	ON_OFF	R/W	0	0: Turn off switching converter (if CMD=1) 1: Turn on switching converter (if CMD=1), and also enable VOUT Margin function
6		R	0	
5:2	OPMARGIN<3:0>	R/W	0	00xx: Turn off VOUT Margin function 0101: Turn on VOUT Margin Low and Ignore Fault 0110: Turn on VOUT Margin Low and Act On Fault 1001: Turn on VOUT Margin High and Ignore Fault 1010: Turn on VOUT Margin High and Act On Fault
1		R	0	
0		R	0	

7.6.2 ON_OFF_CONFIG Register (address = 2h)

Figure 33. ON_OFF_CONFIG

7	6	5	4	3	2	1	0
0	0	0	1	CMD	CP	1	1
R	R	R	R	R/W	R/W	R	R

RLEGEND: R/W = Read/Write; R = Read only; -n = value after reset

Table 10. ON_OFF_CONFIG

Bit	Field	Type	Reset	Description
7		R	0	
6		R	0	
5		R	0	
4		R	1	
3	CMD	R/W	0	0: Ignore ON_OFF bit 1: Act on ON_OFF bit
2	CP	R/W	1	0: Ignore ON_OFF bit 1: Act on ON_OFF bit
1		R	1	
0		R	1	

7.6.3 CLEAR FAULTS (address = 3h)

The CLEAR_FAULTS command is used to clear any fault bits that have been set. This command simultaneously clears all bits in all status registers. At the same time, the device clears its SMB_ALERT# signal output if the device is asserting the SMB_ALERT# signal.

The CLEAR_FAULTS command does not cause a unit that has latched off for a fault condition to restart. If the fault is still present when the bit is cleared, the fault bit shall immediately be set again and the host notified by the usual means.

7.6.4 WRITE PROTECT (address = 10h)

Figure 34. WRITE PROTECT

7	6	5	4	3	2	1	0
0	0	0	0	0	0	0	0
R/W	R/W	R/W	R	R	R	R	R

LEGEND: R/W = Read/Write; R = Read only; -n = value after reset

Table 11. WRITE PROTECT

Bit	Field	Type	Reset	Description
7:0	WRITE_PROTECT	R/W	0	00000000: Enable writes to ALL commands 00100000: Enable writes to only WRITE_PROTECT, OPERATION and ON_OFF_CONFIG and VOUT_COMMAND commands 01000000: Enable writes to only WRITE_PROTECT and OPERATION 10000000: Enable writes to only WRITE_PROTECT

7.6.5 STORE_DEFAULT_ALL (address = 11h)

Store all of the current storable register settings in the EEPROM memory as the new defaults on power up.

It is permitted to use the STORE_DEFAULT_ALL command while the device is operating. However, the device may be unresponsive during the write operation with unpredictable memory storage results. TI recommends to turn the device output off before issuing this command.

EEPROM programming faults will set the 'CML' bit in the STATUS_BYTE and the 'MEM' bit in the STATUS_CML registers.

7.6.6 RESTORE_DEFAULT_ALL (address = 12h)

Write EEPROM data to those CSRs that: (1) have EEPROM support, and; (2) are unprotected according to current setting of WRITE_PROTECT.

It is permitted to use the RESTORE_DEFAULT_ALL command while the device is operating. However, the device may be unresponsive during the copy operation with unpredictable, undesirable or even catastrophic results. TI recommends turning the device output off before issuing this command.

No data bytes are sent, just the command code is sent.

7.6.7 CAPABILITY (address = 19h)

This command provides a way for a host system to determine some key capabilities of this PMBus device.

Figure 35. CAPABILITY

7	6	5	4	3	2	1	0
PEC=1	SPEED <1:0>		ALRT=1	0	0	0	0
R	R	R	R	R	R	R	R

LEGEND: R/W = Read/Write; R = Read only; -n = value after reset

Table 12. CAPABILITY

Bit	Field	Type	Reset	Description
7	PEC=1	R	1	1: Packet Error Checking is supported
6:5	SPEED <1:0>	R	10b	10: Maximum supported bus speed is 1 MHz
4	ALRT=1	R	1	TPS549B22 has an ALERT# pin and it supports SMBus Alert Response protocol
3		R	0	
2		R	0	
1		R	0	
0		R	0	

7.6.8 VOUT_MODE (address = 20h)

Figure 36. VOUT_MODE

7	6	5	4	3	2	1	0
MODE = 000			Exponent = 10111				
R	R	R	R	R	R	R	R

LEGEND: R/W = Read/Write; R = Read only; -n = value after reset

Table 13. VOUT_MODE

Bit	Field	Type	Reset	Description
7:5	MODE = 000	R	0	000: Linear Format
4:0	Exponent	R	17h	10111: Exponent = -9 (equivalent of 1.9531 mV/LSB)

7.6.9 VOUT_COMMAND (address = 21h)

The VOUT_COMMAND command sets the output voltage in volts. The exponent is set by VOUT_MODE at -9 (equivalent of 1.9531 mV/LSB). The programmed V_{OUT} is computed as:

$$V_{OUT} = VOUT_COMMAND \times VOUT_MODE \text{ volts} = VOUT_COMMAND \times 2^{-9} \text{ V} \quad (2)$$

The support range for TPS549B22 is: 0.5996 V to 1.1992 V. It is effectively 9 bits limited to 307 to 614 decimal. Slew-rate control is provided through MODE pin.

V_{OUT} changes 1 step per t_{slew} , where t_{slew} is programmable by MODE pin: 4, 8, 16, or 32 μ s.

Figure 37. VOUT_COMMAND

7	6	5	4	3	2	1	0	7	6	5	4	3	2	1	0
								Mantissa							
R	R	R	R	R	R	R/W	R/W	R/W	R/W	R/W	R/W	R/W	R/W	R/W	R/W

LEGEND: R/W = Read/Write; R = Read only; -n = value after reset

Table 14. VOUT_COMMAND

Bit	Field	Type	Reset	Description
7:4	Mantissa	R	0000	
3:0	Mantissa	R/W	00xx	x = pin strap
7:0	Mantissa	R/W	xxxx xxxx	

7.6.10 VOUT_MARGIN_HIGH (address = 25h) ®

The VOUT_MARGIN_HIGH command loads the TPS549B22 with the voltage to which the output is to be changed when the OPERATION command is set to "Margin High".

The data bytes are two bytes formatted according to the setting of the VOUT_MODE command.

The support margin range for TPS549B22 is: 0.5996 V to 1.1992 V. It is effectively 9 bits limited to 307 to 614 decimal. Slew-rate control is provided through MODE pin.

Figure 38. VOUT_MARGIN_HIGH

7	6	5	4	3	2	1	0	7	6	5	4	3	2	1	0
								Mantissa							
R	R	R	R	R	R	R/W	R/W	R/W	R/W	R/W	R/W	R/W	R/W	R/W	R/W

LEGEND: R/W = Read/Write; R = Read only; -n = value after reset

Table 15. VOUT_MARGIN_HIGH

Bit	Field	Type	Reset	Description
7:4	Mantissa	R	0000	
3:0	Mantissa	R/W	00xx	x = pin strap
7:0	Mantissa	R/W	xxxx xxxx	

7.6.11 VOUT_MARGIN_LOW (address = 26h)

The VOUT_MARGIN_LOW command loads the TPS549B22 with the voltage to which the output is to be changed when the OPERATION command is set to “Margin Low”.

The data bytes are two bytes formatted according to the setting of the VOUT_MODE command.

The support margin range for TPS549B22 is: 0.5996 V to 1.1992 V. It is effectively 9-bits limited to 307 to 614 decimal. Slew-rate control is provided through MODE pin.

Figure 39. VOUT_MARGIN_LOW:

7	6	5	4	3	2	1	0	7	6	5	4	3	2	1	0
Mantissa															
R	R	R	R	R	R	R/W	R/W	R/W	R/W	R/W	R/W	R/W	R/W	R/W	R/W

LEGEND: R/W = Read/Write; R = Read only; -n = value after reset

Table 16. VOUT_MARGIN_LOW:

Bit	Field	Type	Reset	Description
7:4	Mantissa	R	0000	
3:0	Mantissa	R/W	00xx	x = pin strap
7:0	Mantissa	R/W	xxxx xxxx	

7.6.12 STATUS_BYTE (address = 78h)

Figure 40. STATUS_BYTE

7	6	5	4	3	2	1	0
Not used	OFF	VOUT_OV	IOUT_OC	VDD_UV	TEMP	CML	OTHER
R	R	R	R	R	R	R	R

LEGEND: R/W = Read/Write; R = Read only; -n = value after reset

Table 17. STATUS_BYTE

Bit	Field	Type	Reset	Description
7	Not Used	R	N/A	Not used
6	OFF	R	N/A	0: IC is on. This includes the following fault response conditions where the output is still being actively driven, such as OVP and OCF. 1: IC is off. This includes two conditions. One is unit is commanded off via OPERATION/ON_OFF_CONFIG and the other is unit is commanded on via OPERATION/ON_OFF_CONFIG; but, due to fault response the output has been tri-stated by UVF, OT and UVLO.
5	VOUT_OV	R	N/A	0: An output overvoltage fault has not occurred 1: An output overvoltage fault has occurred
4	IOUT_OC	R	N/A	0: An output overcurrent fault has not occurred 1: An output overcurrent fault has occurred
3	VDD_UV	R	N/A	0: An input undervoltage fault has not occurred 1: An input undervoltage fault has occurred
2	TEMP	R	N/A	0: A temperature fault or warning has not occurred 1: A temperature fault or warning has occurred
1	CML	R	N/A	0: A communications, memory or logic fault has not occurred 1: A communications, memory or logic fault has occurred
0	OTHER	R	N/A	0: A fault or warning not listed above has not occurred 1: A fault of warning not listed above has occurred

7.6.13 STATUS_WORD (High Byte) (address = 79h)
Figure 41. STATUS_WORD (High Byte)

7	6	5	4	3	2	1	0
VOUT	IOUT	VDD	Not Used	PGOOD#	Not Used		
R	R	R	R	R	R		

LEGEND: R/W = Read/Write; R = Read only; -n = value after reset

Table 18. STATUS_WORD (High Byte)

Bit	Field	Type	Reset	Description
7	VOUT	R	N/A	0: An output voltage fault or warning has not occurred 1: An output voltage fault or warning has occurred
6	IOUT	R	N/A	0: An output current fault has not occurred 1: An output current fault has occurred
5	VDD	R	N/A	A VDD voltage fault has not occurred 1: A VDD voltage fault has occurred
4	Not Used	R	N/A	Not Used
3	PGOOD#	R	N/A	0: PGOOD pin is at logic high 1: PGOOD pin is at logic high
2:0	Not Used	R	N/A	Not used

7.6.14 STATUS_VOUT (address = 7Ah)
Figure 42. STATUS_VOUT

7	6	5	4	3	2	1	0
OVF	OVW	UVW	UVF	Not Used			
R	R	R	R	R			

LEGEND: R/W = Read/Write; R = Read only; -n = value after reset

Table 19. STATUS_VOUT

Bit	Field	Type	Reset	Description
7	OVF	R	N/A	0: An output overvoltage fault has not occurred 1: An output overvoltage fault has occurred
6	OVW	R	N/A	0: An output overvoltage warning has not occurred 1: An output overvoltage warning has occurred
5	UVW	R	N/A	0: An output undervoltage warning has not occurred 1: An output undervoltage warning has occurred
4	UVF	R	N/A	0: An output undervoltage fault has not occurred 1: An output undervoltage fault has occurred
3:0	Not Used	R	N/A	Not Used

7.6.15 STATUS_IOUT (address = 7Bh)
Figure 43. STATUS_IOUT

7	6	5	4	3	2	1	0
OCF	OCUVF	Not Used	UCF	Not Used			
R	R	R	R	R			

LEGEND: R/W = Read/Write; R = Read only; -n = value after reset

Table 20. STATUS_IOUT

Bit	Field	Type	Reset	Description
7	OCF	R	N/A	0: An output positive overcurrent fault has not occurred 1: An output positive overcurrent fault has occurred
6	OCUVF	R	N/A	0: A simultaneous output positive overcurrent and undervoltage fault has not occurred 1: A simultaneous output positive overcurrent and undervoltage fault has occurred
5	Not Used	R	N/A	Not Used
4	UCF	R	N/A	0: An output negative overcurrent fault has not occurred 1: An output negative overcurrent fault has occurred
3:0	Not Used	R	N/A	Not Used

7.6.16 STATUS_CML (address = 7Eh)
Figure 44. STATUS_CML

7	6	5	4	3	2	1	0
COMM	DATA	PEC	Not Used			OTH	Not Used
R	R	R	R			R	R

LEGEND: R/W = Read/Write; R = Read only; -n = value after reset

Table 21. STATUS_CML

Bit	Field	Type	Reset	Description
7	COMM	R	N/A	0: A valid or supported command has been received 1: An invalid or unsupported command has been received
6	DATA	R	N/A	0: A valid or supported data has been received 1: An invalid or unsupported data has been received
5	PEC	R	N/A	0: Packet Error Check has failed 1: Packet Error Check has succeeded
4:2	Not Used	R	N/A	Not Used
1	OTH	R	N/A	0: A communication fault other than the ones listed in this table has not occurred 1: A communication fault other than the ones listed in this table has occurred. Currently, this bit is only set for too many data bytes
0	Not Used	R	N/A	Not Used

7.6.17 MFR_SPECIFIC_00 (address = D0h)
Figure 45. MFR_SPECIFIC_00

7	6	5	4	3	2	1	0
USER SCRATCH PAD							
R/W							

LEGEND: R/W = Read/Write; R = Read only; -n = value after reset

Table 22. MFR_SPECIFIC_00

Bit	Field	Type	Reset	Description
7:0	USER SCRATCH PAD	R/W	0	The MFR_SPECIFIC_00 is a user-accessible register dedicated as a user scratch pad.

7.6.18 MFR_SPECIFIC_01 (address = D1h)
Figure 46. MFR_SPECIFIC_01

7	6	5	4	3	2	1	0
0	0	PGD			POD		
R	R	R/W			R/W		

LEGEND: R/W = Read/Write; R = Read only; -n = value after reset

Table 23. MFR_SPECIFIC_01

Bit	Field	Type	Reset	Description
7:6		R	00b	The MFR_SPECIFIC_01 is a user-accessible register dedicated for configuring the PGOOD delay and Power-On Delay functions. (Refer to Table 24 and Table 25)
5:3	PGD	R/W	010b	
2:0	POD	R/W	010b	

Table 24. PGD[2:0]

PGD[2]	PGD[1]	PGD[0]	PGood Delay
0	0	0	256 μ s
0	0	1	512 μ s
0	1	0	1.024 ms
0	1	1	2.048 ms
1	0	0	4.096 ms
1	0	1	8.192 ms
1	1	0	16.384 ms
1	1	1	131.072 ms

Table 25. POD[2:0]

POD[2]	POD[1]	POD[0]	Power-On Delay
0	0	0	256 μ s
0	0	1	512 μ s
0	1	0	1.024 ms
0	1	1	2.048 ms
1	0	0	4.096 ms
1	0	1	8.192 ms
1	1	0	16.384 ms
1	1	1	32.768 ms

7.6.19 MFR_SPECIFIC_02 (address = D2h)

The MFR_SPECIFIC_02 register allows the user to read the configuration of various pin-strap features and/or overwrite them. Note that any overwritten values here are only good until the next power-on-reset, when all parameters revert back to their pin-strap configurations.

Figure 47. MFR_SPECIFIC_02

7	6	5	4	3	2	1	0
TRK	SEQ	0	FORCESKIPSS	SST		HICLOFF	CM
R/W	R/W	R	R/W	R/W		R/W	R/W

LEGEND: R/W = Read/Write; R = Read only; -n = value after reset

Table 26. MFR_SPECIFIC_02

Bit	Field	Type	Reset	Description
7	TRK	R/W	P	This bit indicates whether the device is using internal or external reference voltage tracking. It will initially be loaded and reflect the value of the pin strap; but, can also be overwritten by PMBus. 0: No tracking. The device will use internal reference voltage. 1: External tracking.
6	SEQ	R/W	P	This bit indicates whether the device is using internal or external soft-start ramp. It will initially be loaded and reflect the value of the pin strap; but, can also be overwritten by PMBus. 0: No sequencing. The device will use the internal soft start ramp. 1: Sequencing
5		R	0	
4	FORCESKIPSS	R/W	1	This bit (when set) allows the user to force Soft-start to always use SKIP mode; regardless of the CM pin strap. 0: CM bit controls whether to operate in SKIP or FCCM mode during and after soft start. 1: Soft start is forced to operate in SKIP mode, then CM bit controls the mode after soft start.
3:2	SST	R/W	P	These bits indicate the time the device takes to ramp the output voltage up to regulation (that is, soft-start). The field will initially be loaded and reflect the value of the pin strap; but, can also be overwritten by PMBus. (Refer to Table 27)
1	HICLOFF	R/W	P	This bit indicates the response the device will take upon an output undervoltage fault. There are two fault response options which are enforced by the analog circuits: Hiccup or Latch-off. The bit value will initially be loaded and reflect the value of the pin strap; but, can also be overwritten by PMBus. 0: Hiccup after UVP fault. 1: Latch off after UVP fault.
0	CM	R/W	P	This bit indicates the conduction mode for the device. The bit value will initially be loaded and reflect the value of the pin strap; but, can also be overwritten by PMBus. 0: SKIP 1: FCCM

Table 27. SST

SST[1]	SST[0]	Soft-start time
0	0	1 ms
0	1	2 ms
1	0	4 ms
1	1	8 ms

7.6.20 MFR_SPECIFIC_03 (address = D3h)

The MFR_SPECIFIC_03 register allows the user to read the configuration of the DCAP pin-strap feature (and/or overwrite it), as well configure the Ramp Generator and the PWM switching frequency.

Figure 48. MFR_SPECIFIC_03

7	6	5	4	3	2	1	0
DCAP3	0	RCSP		0	FS		
R/W	R	R/W		R	R/W		

LEGEND: R/W = Read/Write; R = Read only; -n = value after reset

Table 28. MFR_SPECIFIC_03 Field Descriptions

Bit	Field	Type	Reset	Description
7	DCAP3	R/W	P	This bit allows the user to read/configure the device's internal DCAP-3 mode. It is initially loaded and reflects the value of the pin strap, but can also be overwritten by PMBus. 0: Internal DCAP3 is disabled (ramp injection is off). 1: Internal DCAP3 is enabled (ramp injection is on)
6		R	0	
5:4	RCSP	R/W	P	These bits allow the user to read/configure the D-CAP3 ramp generator's resistor value selection. (Refer to Table 29 .)
3		R	0	
2:0	FS	R/W	011b	These bits allow the user to read/configure the device's PWM switching frequency. (Refer to Table 30)

Table 29. RCSP

RCSP[1]	RCSP[0]	Resistor Selection
0	0	Resistor ÷ 2
0	1	Resistor ÷ 1
1	0	Resistor × 2
1	1	Resistor × 3

Table 30. FS

FS[2]	FS[1]	FS[0]	Switching Frequency
0	0	0	315 kHz
0	0	1	425 kHz
0	1	0	550 kHz
0	1	1	650 KHz
1	0	0	825 KHz
1	0	1	900 KHz
1	1	0	1.025 MHz
1	1	1	1.125 MHz

7.6.21 MFR_SPECIFIC_04 (address = D4h)

The MFR_SPECIFIC_04 register allows the user to configure the D-CAP offset reduction and fixed offset correction.

Figure 49. MFR_SPECIFIC_04

7	6	5	4	3	2	1	0
DCAP3OffsetSel	DCAP3Offset[1:0]		0	0	0	0	0
R/W	R/W		R	R	R	R	R

LEGEND: R/W = Read/Write; R = Read only; -n = value after reset

Table 31. MFR_SPECIFIC_04

Bit	Field	Type	Reset	Description
7	DCAP3OffsetSel	R/W	1	This bit allows the user to read/configure the D-CAP loop's offset reduction scheme. 0: Select DCAP loop manual offset reduction circuit. 1: Select DCAP loop automatic offset reduction circuit.
6:5	DCAP3Offset	R/W	0	These bits allow the user to read/configure the D-CAP3 offset correction if and only if DCAP3OffsetSel = 0 (refer to Table 32).
4:0		R	0	

Table 32. DCAP3OFFSET

DCAP3Offset[1]	DCAP3Offset[0]	Additional Offset Correction Voltage Added
0	0	0 mV
0	1	+ 2 mV
1	0	+ 4 mV
1	1	+ 6 mV

7.6.22 MFR_SPECIFIC_06 (address = D6h)

The MFR_SPECIFIC_06 is a user-accessible register dedicated for configuring the V_{DD} UVLO threshold.

Figure 50. MFR_SPECIFIC_06

7	6	5	4	3	2	1	0
0	0	0	0	0	VDDUVLO[2:0]		
R	R	R	R	R	R/W		

LEGEND: R/W = Read/Write; R = Read only; -n = value after reset

Table 33. MFR_SPECIFIC_06

Bit	Field	Type	Reset	Description
7:3		R	0	
2:0	VDDUVLO	R/W	101b	These bits allow the user to read/configure the device V_{DD} ULVO threshold (refer to Table 34).

Table 34. VDDUVLO

VDDUVLO[2]	VDDUVLO[1]	VDDUVLO[0]	VDD UVLO threshold
0	X	X	10.2 volts
1	0	0	2.8 volts
1	0	1	4.25 volts
1	1	0	6 volts
1	1	1	8.1 volts

7.6.23 MFR_SPECIFIC_07 (address = D7h)

The MFR_SPECIFIC_07 is a user-accessible register dedicated for configuring the device's PGOOD threshold and external tracking options.

Figure 51. MFR_SPECIFIC_07

7	6	5	4	3	2	1	0
VPBAD	SPARE	0	TRKOPTION	VTRKIN[3:0]			
R/W	R/W	R	R/W	R/W			

LEGEND: R/W = Read/Write; R = Read only; -n = value after reset

Table 35. MFR_SPECIFIC_07

Bit	Field	Type	Reset	Description
7	VPBAD	R/W	1	This bit allows the user to read/configure the PGOOD high and low thresholds. 0: PGOOD high and low thresholds are +16% and -16%, respectively 1: PGOOD high and low thresholds are +20% and -32%, respectively
6	SPARE	R/W	0	This bit allows the user to read/configure an EEPROM backed SPARE bit and corresponding digital block output. 0: pSPARE = 0 1: pSPARE = 1
5		R	0	
4	TRKOPTION	R/W	0	This bit allows the user to read/control whether the external TRKIN is enabled by a 425 mV threshold, or not. 0: TRKIN voltage must be above 425mV (that is, TRKINOK = 1) before switcher can be enabled. 1: TRKIN voltage does not need to be above 425mV before switcher can be enabled.
3:0	VTRKIN	R/W	1111b	These bits allow the user to read/configure the device's final TRKIN target voltage for external tracking operation. (Refer to Table 36)

Table 36. VTRKIN

VTRKIN[3]	VTRKIN[2]	VTRKIN[1]	VTRKIN[0]	Final TRKIN target voltage for external tracking operation
0	0	0	0	500 mV
0	0	0	1	550 mV
0	0	1	0	600 mV
0	0	1	1	650 mV
0	1	0	0	700 mV
0	1	0	1	750 mV
0	1	1	0	800 mV
0	1	1	1	850 mV
1	0	0	0	900 mV
1	0	0	1	950 mV
1	0	1	0	1.00 V
1	0	1	1	1.05 V
1	1	0	0	1.10 V
1	1	0	1	1.15 V
1	1	1	0	1.20 V
1	1	1	1	1.25 V

7.6.24 MFR_SPECIFIC_44 (address = FCh)

The DEVICE_CODE command returns a 12-bit unique identifier code for the device and a 4 bit device revision code.

Figure 52. MFR_SPECIFIC_44

7	6	5	4	3	2	1	0	7	6	5	4	3	2	1	0
Identifier Code												Revision Code			
R	R	R	R	R	R	R	R	R	R	R	R	R	R	R	R

LEGEND: R/W = Read/Write; R = Read only; -n = value after reset

Table 37. MFR_SPECIFIC_44

Bit	Field	Type	Reset	Description
7:0	Identifier Code	R	02h	0000 0010 0000b – Device ID Code Identifier for TPS549B22.
7:4		R	0	
3:0	Revision Code	R	0	1000b - Revision Code (first silicon starts at 0)

Can

8 Application and Implementation

NOTE

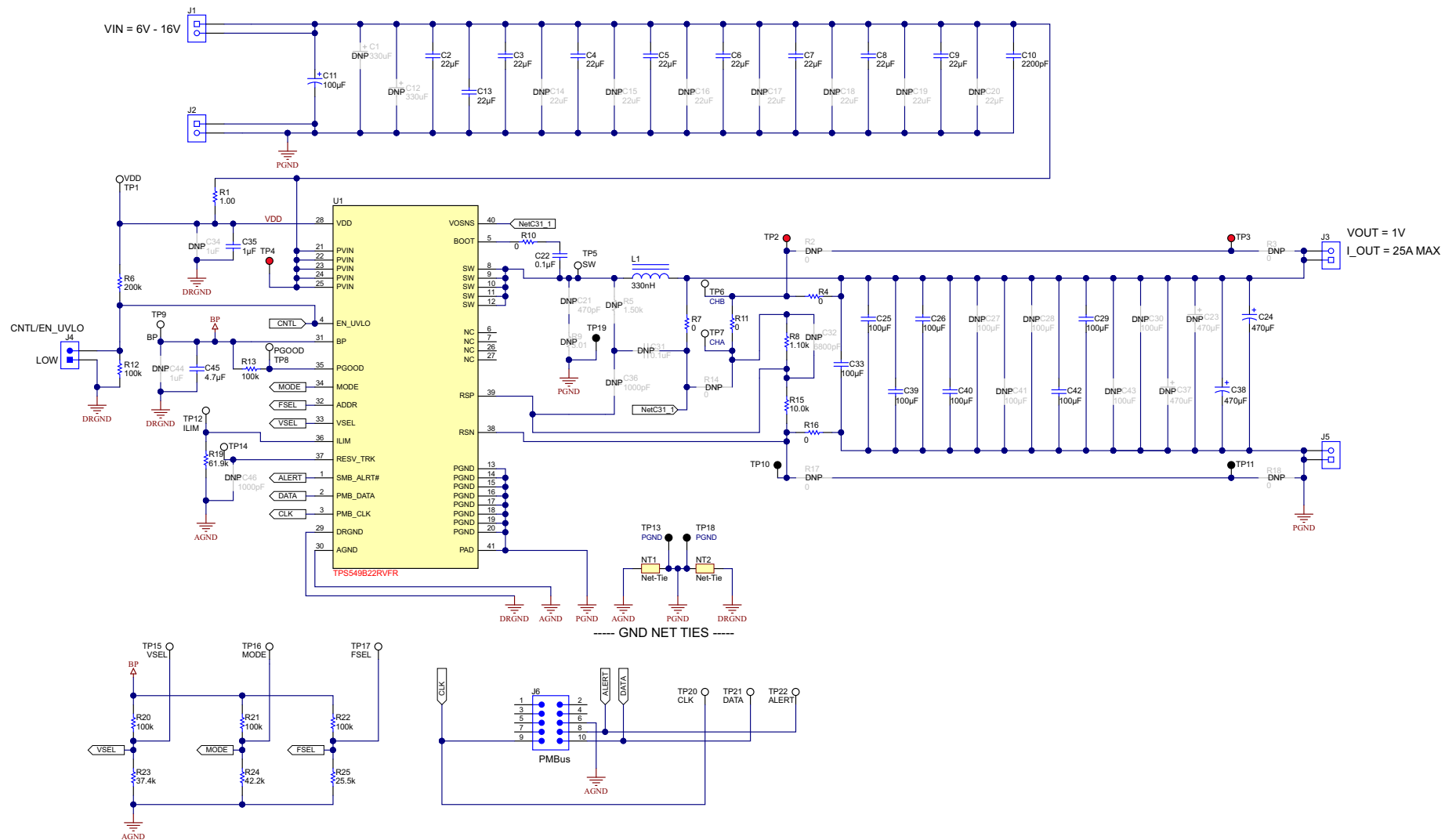
Information in the following applications sections is not part of the TI component specification, and TI does not warrant its accuracy or completeness. TI's customers are responsible for determining suitability of components for their purposes. Customers should validate and test their design implementation to confirm system functionality.

8.1 Application Information

The TPS549B22 device is a highly-integrated synchronous step-down DC-DC converter with PMBus features and capabilities. This device is used to convert a higher DC input voltage to a lower DC output voltage, with a maximum output current of 25 A. Use the following design procedure to select key component values for this family of devices.

8.2 Typical Applications

8.2.1 TPS549B22 1.5-V to 18-V Input, 1-V Output, 25-A Converter



Copyright © 2017, Texas Instruments Incorporated

Figure 53. Typical Application Schematic

8.2.2 Design Requirements

For this design example, use the input parameters shown in [Table 38](#).

Table 38. Design Example Specifications

PARAMETER		TEST CONDITION	MIN	TYP	MAX	UNIT
V_{IN}	Input voltage		5	12	18	V
$V_{IN(ripple)}$	Input ripple voltage	$I_{OUT} = 25\text{ A}$			0.4	V
V_{OUT}	Output voltage			1		V
	Line regulation	$5\text{ V} \leq V_{IN} \leq 18\text{ V}$			0.5%	
	Load regulation	$0\text{ V} \leq I_{OUT} \leq 25\text{ A}$			0.5%	
V_{PP}	Output ripple voltage	$I_{OUT} = 25\text{ A}$		10		mV
V_{OVER}	Transient response overshoot	$I_{STEP} = 15\text{ A}$		30		mV
V_{UNDER}	Transient response undershoot	$I_{STEP} = 15\text{ A}$		30		mV
I_{OUT}	Output current	$5\text{ V} \leq V_{IN} \leq 18\text{ V}$			25	A
t_{SS}	Soft-start time			1		ms
I_{OC}	Overcurrent trip point			32		A
η	Peak efficiency	$I_{OUT} = 7\text{ A}$,		90%		
f_{SW}	Switching frequency			650		kHz

8.2.3 Detailed Design Procedure

8.2.3.1 Custom Design With WEBENCH® Tools

[Click here](#) to create a custom design using the TPS549B22 device with the WEBENCH® Power Designer.

1. Start by entering the input voltage (V_{IN}), output voltage (V_{OUT}), and output current (I_{OUT}) requirements.
2. Optimize the design for key parameters such as efficiency, footprint, and cost using the optimizer dial.
3. Compare the generated design with other possible solutions from Texas Instruments.

The WEBENCH Power Designer provides a customized schematic along with a list of materials with real-time pricing and component availability.

In most cases, these actions are available:

- Run electrical simulations to see important waveforms and circuit performance
- Run thermal simulations to understand board thermal performance
- Export customized schematic and layout into popular CAD formats
- Print PDF reports for the design, and share the design with colleagues

Get more information about WEBENCH tools at www.ti.com/WEBENCH.

8.2.3.2 Switching Frequency Selection

The default switching frequency of the TPS549B22 device is 650 kHz. There are a total of 8 switching frequency settings that can be programmed via PMBus interface. For each switching frequency setting, there are 4 internal ramp compensations (DCAP3) to choose from, also via PMBus. When DCAP3 mode is selected (preferred), the internal ramp compensation is used for stabilizing the converter design. The ramp is a function of the switching frequency and duty cycle range (the output voltage to input voltage ratio). [Table 39](#) summarizes the ramp choices using these functions.

Table 39. Switching Frequency Selection

SWITCHING FREQUENCY SETTING (f _{sw}) (kHz)	RAMP SELECT OPTION	TIME CONSTANT t (μs)	V _{OUT} RANGE (FIXED V _{IN} = 12 V)		DUTY CYCLE RANGE (V _{OUT} /V _{IN}) (%)	
			MIN	MAX	MIN	MAX
315, 425	R/2	9	0.6	0.9	5	7.5
	R × 1	16.8	0.9	1.5	7.5	12.5
	R × 2	32.3	1.5	2.5	12.5	21
	R × 3	55.6	2.5	5.5	>21	
550, 650	R/2	7	0.6	0.9	5	7.5
	R × 1	13.5	0.9	1.5	7.5	12.5
	R × 2	25.9	1.5	2.5	12.5	21
	R × 3	44.5	2.5	5.5	>21	
825, 900	R/2	5.6	0.6	0.9	5	7.5
	R × 1	10.4	0.9	1.5	7.5	12.5
	R × 2	20	1.5	2.5	12.5	21
	R × 3	34.4	2.5	5.5	>21	
1.025, 1.225 MHz	R/2	3.8	0.6	0.9	5	7.5
	R × 1	7.1	0.9	1.5	7.5	12.5
	R × 2	13.6	1.5	2.5	12.5	21
	R × 3	23.3	2.5	5.5	>21	

8.2.3.3 Inductor Selection

To calculate the value of the output inductor, use [Equation 3](#). The coefficient K_{IND} represents the amount of inductor ripple current relative to the maximum output current. The output capacitor filters the inductor ripple current. Therefore, choosing a high inductor ripple current impacts the selection of the output capacitor since the output capacitor must have a ripple current rating equal to or greater than the inductor ripple current. In general, maintain a K_{IND} coefficient between 0 and 40 for balanced performance. Using this target ripple current, the required inductor size can be calculated as shown in [Equation 3](#)

$$L_1 = \frac{V_{OUT}}{(V_{IN(max)} \times f_{SW})} \times \frac{V_{IN} - V_{OUT}}{(I_{OUT(max)} \times K_{IND})} = \frac{1V \times (18V - 1V)}{(18V \times 650kHz \times 25A \times 0.2)} = 0.29 \mu H \quad (3)$$

Selecting a K_{IND} of 0.2, the target inductance L₁ = 290 nH. Using the next standard value, the 330 nH is chosen in this application for its high current rating, low DCR, and small size. The inductor ripple current, RMS current, and peak current can be calculated using [Equation 4](#), [Equation 5](#) and [Equation 6](#). Use these values to select an inductor with approximately the target inductance value, and current ratings that allow normal operation with some margin.

$$I_{RIPPLE} = \frac{V_{OUT}}{(V_{IN(max)} \times f_{SW})} \times \frac{V_{IN(max)} - V_{OUT}}{L_1} = \frac{1V \times (18V - 1V)}{18V \times 650kHz \times 330nH} = 4.4 A \quad (4)$$

$$I_{L(rms)} = \sqrt{(I_{OUT})^2 + \frac{1}{12} \times (I_{RIPPLE})^2} = 25 A \quad (5)$$

$$I_{L(peak)} = (I_{OUT}) + \frac{1}{2} \times (I_{RIPPLE}) = 27.2 A \quad (6)$$

8.2.3.4 Output Capacitor Selection

There are three primary considerations for selecting the value of the output capacitor. The output capacitor affects three criteria:

- Stability
- Regulator response to a change in load current or load transient
- Output voltage ripple

These three considerations are important when designing regulators that must operate where the electrical conditions are unpredictable. The output capacitance needs to be selected based on the most stringent of these three criteria.

8.2.3.4.1 Minimum Output Capacitance to Ensure Stability

To prevent sub-harmonic multiple pulsing behavior, TPS549B22 application designs must strictly follow the small signal stability considerations described in [Equation 7](#).

$$C_{OUT(min)} > \frac{t_{ON}}{2} \times \frac{8\tau}{L_{OUT}} \times \frac{V_{REF}}{V_{OUT}}$$

where

- $C_{OUT(min)}$ is the minimum output capacitance needed to meet the stability requirement of the design
- t_{ON} is the on-time information based on the switching frequency and duty cycle (in this design, 128 ns)
- τ is the ramp compensation time constant of the design based on the switching frequency and duty cycle, (in this design, 25.9 μ s, refer to [Table 39](#))
- L_{OUT} is the output inductance (in the design, 0.33 μ H)
- V_{REF} is the user-selected reference voltage level (in this design, 1 V)
- V_{OUT} is the output voltage (in this design, 1 V) (7)

The minimum output capacitance calculated from [Equation 7](#) is 40 μ F. The stability is ensured when the amount of the output capacitance is 40 μ F or greater. And when all MLCCs (multi-layer ceramic capacitors) are used, both DC- and AC-derating effects must be considered to ensure that the minimum output capacitance requirement is met with sufficient margin.

8.2.3.4.2 Response to a Load Transient

The output capacitance must supply the load with the required current when current is not immediately provided by the regulator. When the output capacitor supplies load current, the impedance of the capacitor greatly affects the magnitude of voltage deviation (such as undershoot and overshoot) during the transient.

Use [Equation 8](#) and [Equation 9](#) to estimate the amount of capacitance needed for a given dynamic load step and release.

NOTE

There are other factors that can impact the amount of output capacitance for a specific design, such as ripple and stability.

$$C_{OUT(min_under)} = \frac{L_{OUT} \times (\Delta I_{LOAD(max)})^2 \times \left(\frac{V_{OUT} \times t_{SW}}{V_{IN(min)}} + t_{OFF(min)} \right)}{2 \times \Delta V_{LOAD(insert)} \times \left(\left(\frac{V_{IN(min)} - V_{OUT}}{V_{IN(min)}} \right) \times t_{SW} - t_{OFF(min)} \right) \times V_{OUT}} \quad (8)$$

$$C_{OUT(min_over)} = \frac{L_{OUT} \times (\Delta I_{LOAD(max)})^2}{2 \times \Delta V_{LOAD(release)} \times V_{OUT}}$$

where

- $C_{OUT(min_under)}$ is the minimum output capacitance to meet the undershoot requirement
- $C_{OUT(min_over)}$ is the minimum output capacitance to meet the overshoot requirement
- L is the output inductance value (0.33 μ H)
- $\Delta I_{LOAD(max)}$ is the maximum transient step (15 A)
- V_{OUT} is the output voltage value (1 V)
- t_{SW} is the switching period (1.54 μ s)
- $V_{IN(min)}$ is the minimum input voltage for the design (10.8 V)
- $t_{OFF(min)}$ is the minimum off time of the device (300 ns)
- $\Delta V_{LOAD(insert)}$ is the undershoot requirement (30 mV)
- $\Delta V_{LOAD(release)}$ is the overshoot requirement (30 mV) (9)

Most of the above parameters can be found in [Table 38](#).

The minimum output capacitance to meet the undershoot requirement is 516 μ F. The minimum output capacitance to meet the overshoot requirement is 1238 μ F. This example uses a combination of POSCAP and MLCC capacitors to meet the overshoot requirement.

- POSCAP bank 1: 2 x 470 μ F, 2.5 V, 6 m Ω per capacitor
- MLCC bank 2: 7 x 100 μ F, 2.5 V, 1 m Ω per capacitor with DC+AC derating factor of 60%

Recalculating the worst case overshoot using the described capacitor bank design, the overshoot is 29.0 mV which meets the 30-mV overshoot specification requirement.

8.2.3.4.3 Output Voltage Ripple

The output voltage ripple is another important design consideration. [Equation 10](#) calculates the minimum output capacitance required to meet the output voltage ripple specification. This criterion is the requirement when the impedance of the output capacitance is dominated by ESR.

$$C_{OUT(min)RIPPLE} = \frac{I_{RIPPLE}}{8 \times f_{SW} \times V_{OUT(ripple)}} = 82 \mu F \quad (10)$$

In this case, the maximum output voltage ripple is 10 mV. For this requirement, the minimum capacitance for ripple requirement yields 82 μ F. Because this capacitance value is significantly lower compared to that of transient requirement, determine the capacitance bank from steps in the previous section [Response to a Load Transient](#). Because the output capacitor bank consists of both POSCAP and MLCC type capacitors, it is important to consider the ripple effect at the switching frequency due to effective ESR. Use [Equation 11](#) to determine the maximum ESR of the output capacitor bank for the switching frequency.

$$ESR_{MAX} = \frac{V_{OUT(ripple)} - \frac{I_{RIPPLE}}{8 \times f_{SW} \times C_{OUT}}}{I_{RIPPLE}} = 2.2 m\Omega \quad (11)$$

Estimate the effective ESR at the switching frequency by obtaining the impedance vs frequency characteristics of the output capacitors. The parallel impedance of capacitor bank 1 and capacitor bank 2 at the switching frequency of the design example is estimated to be 1.2 m Ω , which is less than that of the maximum ESR value. Therefore, the output voltage ripple requirement (10 mV) can be met. For detailed calculation on the effective ESR please contact the factory to obtain a user-friendly Excel based design tool.

8.2.3.5 Input Capacitor Selection

The TPS549B22 devices require a high-quality, ceramic, type X5R or X7R, input decoupling capacitor with a value of at least 1 μF of effective capacitance on the VDD pin, relative to AGND. The power stage input decoupling capacitance (effective capacitance at the PVIN and PGND pins) must be sufficient to supply the high switching currents demanded when the high-side MOSFET switches on, while providing minimal input voltage ripple as a result. This effective capacitance includes any DC bias effects. The voltage rating of the input capacitor must be greater than the maximum input voltage. The capacitor must also have a ripple current rating greater than the maximum input current ripple to the device during full load. The input ripple current can be calculated using [Equation 12](#).

$$I_{CIN(rms)} = I_{OUT(max)} \times \sqrt{\frac{V_{OUT}}{V_{IN(min)}} \times \frac{(V_{IN(min)} - V_{OUT})}{V_{IN(min)}}} = 10 \text{ Arms} \quad (12)$$

The minimum input capacitance and ESR values for a given input voltage ripple specification, $V_{IN(ripple)}$, are shown in [Equation 13](#) and [Equation 14](#). The input ripple is composed of a capacitive portion, $V_{RIPPLE(cap)}$, and a resistive portion, $V_{RIPPLE(esr)}$.

$$C_{IN(min)} = \frac{I_{OUT(max)} \times V_{OUT}}{V_{RIPPLE(cap)} \times V_{IN(max)} \times f_{SW}} = 21.4 \mu\text{F} \quad (13)$$

$$ESR_{CIN(max)} = \frac{V_{RIPPLE(ESR)}}{I_{OUT(max)} + \left(\frac{I_{RIPPLE}}{2}\right)} = 3.4 \text{ m}\Omega \quad (14)$$

The value of a ceramic capacitor varies significantly over temperature and the amount of DC bias applied to the capacitor. The capacitance variations due to temperature can be minimized by selecting a dielectric material that is stable over temperature. X5R and X7R ceramic dielectrics are usually selected for power regulator capacitors because they have a high capacitance to volume ratio and are fairly stable over temperature. The input capacitor must also be selected with the DC bias taken into account. For this example design, a ceramic capacitor with at least a 25-V voltage rating is required to support the maximum input voltage. For this design, allow 0.1-V input ripple for $V_{RIPPLE(cap)}$, and 0.1-V input ripple for $V_{RIPPLE(esr)}$. Using [Equation 13](#) and [Equation 14](#), the minimum input capacitance for this design is 21.4 μF , and the maximum ESR is 3.4 $\text{m}\Omega$. For this example, four 22- μF , 25-V ceramic capacitors and one additional 100- μF , 25-V low-ESR polymer capacitors in parallel were selected for the power stage.

8.2.3.6 Bootstrap Capacitor Selection

A ceramic capacitor with a value of 0.1 μF must be connected between the BOOT and SW pins for proper operation. TI recommends using a ceramic capacitor with X5R or better grade dielectric. Use a capacitor with a voltage rating of 25 V or higher.

8.2.3.7 BP Pin

Bypass the BP pin to DRGND with 4.7 μF of capacitance. In order for the regulator to function properly, it is important that these capacitors be localized to the TPS549B22, with low-impedance return paths. See [Layout Guidelines](#) for more information.

8.2.3.8 R-C Snubber and VIN Pin High-Frequency Bypass

Though it is possible to operate the TPS549B22 within absolute maximum ratings without ringing reduction techniques, some designs may require external components to further reduce ringing levels. This example uses two approaches: a high frequency power stage bypass capacitor on the VIN pins, and an R-C snubber between the SW area and GND.

The high-frequency VIN bypass capacitor is a lossless ringing reduction technique which helps minimize the outboard parasitic inductances in the power stage, which store energy during the low-side MOSFET on-time, and discharge once the high-side MOSFET is turned on. For this example two 2.2-nF, 25-V, 0603-sized high-frequency capacitors are used. The placement of these capacitors is critical to its effectiveness. Their ideal placement is shown in [Figure 53](#).

Additionally, an R-C snubber circuit is added to this example. To balance efficiency and spike levels, a 1-nF capacitor and a 1-Ω resistor are chosen. In this example a 0805-sized resistor is chosen, which is rated for 0.125 W, nearly twice the estimated power dissipation. See [Snubber Circuits: Theory, Design and Application](#) for more information about snubber circuits.

8.2.3.9 Optimize Reference Voltage (VSEL)

Optimize the reference voltage by choosing a value for R_{VSEL} . The TPS549B22 device is designed with a wide range of precision reference voltage support from 0.6 V to 1.2 V with an available step change of 50 mV. Program these reference voltages using the VSEL pin-strap configurations. See [Table 2](#) for internal reference voltage selections. In addition to providing initial boot voltage value, use the VSEL pin to program hiccup and latch-off mode.

There are two ways to program the output voltage set point. If the output voltage set point is one of the 16 available reference and boot voltage options, no feedback resistors are required for output voltage programming. In the case where feedback resistors are not needed, connect the RSP pin to the positive sensing point of the load. Always connect the RSN pin to the load return sensing point.

In this design example, since the output voltage set point is 1 V, select $R_{VSEL(LS)}$ of either 75 kΩ (latch off) or 68.1 kΩ (hiccup) as shown in [Table 3](#). If the output voltage set point is NOT one of the 16 available reference or boot voltage options, feedback resistors are required for output voltage programming. Connect the RSP pin to the mid-point of the resistor divider. Always connect the RSN pin to the load return sensing point as shown in [Figure 23](#) and [Figure 24](#).

The general guideline to select boot and internal reference voltage is to select the reference voltage closest to the output voltage set point. In addition, because the RSP and RSN pins are extremely high-impedance input terminals of the true differential remote sense amplifier, use a feedback resistor divider with values much less than 100 kΩ.

8.2.3.10 MODE Pin Selection

MODE pin strap configuration is used to program control topology and internal soft-start timing selections. TPS549B22 supports both DCAP3 and DCAP operation. For general POL applications, TI strongly recommends configuring the control topology to be DCAP3 due to its simple to use and no external compensation features. In the rare instance where DCAP is needed, an RCC network across the output inductor is needed to generate sufficient ripple voltage on the RSP pin. In this design example, $R_{MODE(LS)}$ of 42.2 kΩ is selected for DCAP3 and soft start time of 1 ms.

8.2.3.11 ADDR Pin Selection

ADDR pin strap configuration is used to program device address and light load conduction mode selection. The TPS549B22 allows up to 16 different chip addresses for PMBus communication with the first 3 bits fixed as 001. The address selection process is defined by resistor divider ratio from BP pin to ADDR pin, and the address detection circuit will start to work only after the initial power up when V_{DD} has risen above its UVLO threshold.

For this application example, a device address of 16d is desired. We select the low side RADDR to be 0 Ω considering the SKIP operation and device address of 16d. [Table 4](#) lists all combinations of the address selections. The 1% or better tolerance resistors with typical temperature coefficient of ±100 ppm/°C are recommended.

8.2.3.12 Overcurrent Limit Design

The TPS549B22 device uses the ILIM pin to set the OCP level. Connect the ILIM pin to GND through the voltage setting resistor, R_{ILIM} . In order to provide both good accuracy and cost effective solution, this device supports temperature compensated MOSFET on-resistance ($R_{DS(on)}$) sensing. Also, this device performs both positive and negative inductor current limiting with the same magnitudes. Positive current limit is normally used to protect the inductor from saturation therefore causing damage to the high-side and low-side FETs. Negative current limit is used to protect the low-side FET during OVP discharge.

The inductor current is monitored by the voltage between PGND pin and SW pin during the OFF time. The ILIM pin has 1200 ppm/°C temperature slope to compensate the temperature dependency of the on-resistance. The PGND pin is used as the positive current sensing node.

TPS549B22 has cycle-by-cycle over-current limiting control. The inductor current is monitored during the OFF state and the controller maintains the OFF state during the period that the inductor current is larger than the overcurrent ILIM level. The voltage on the ILIM pin (V_{ILIM}) sets the valley level of the inductor current. The range of value of the R_{ILIM} resistor is between 9.53 k Ω and 105 k Ω . The range of valley OCL is between 5 A and 50 A (typical). If the R_{ILIM} resistance is outside of the recommended range, OCL accuracy and function cannot be ensured. (see [Table 40](#))

Table 40. Closed Loop EVM Measurement of OCP Settings

1% R_{ILIM} (k Ω)	OVERCURRENT PROTECTION VALLEY (A)
82.1	40
71.5	35
61.9	30
51.1	25
40.2	20
30.1	15
20.5	10

Use [Equation 15](#) to relate the valley OCL to the R_{ILIM} resistance.

$$R_{ILIM} = 2.0664 \times OCL_{VALLEY} - 0.6036$$

where

- R_{ILIM} is in k Ω
 - OCL_{VALLEY} is in A
- (15)

In this design example, the desired valley OCL is 43 A, the calculated R_{ILIM} is 61.9 k Ω . Use [Equation 16](#) to calculate the DC OCL to be 32.1 A.

$$OCL_{DC} = OCL_{VALLEY} + 0.5 \times I_{RIPPLE}$$

where

- R_{ILIM} is in k Ω
 - OCL_{DC} is in A
- (16)

In an overcurrent condition, the current to the load exceeds the inductor current and the output voltage falls. When the output voltage crosses the under-voltage fault threshold for at least 1 ms, the behavior of the device depends on the VSEL pin strap setting. If hiccup mode is selected, the device restarts after a 16-ms delay (1-ms soft-start option). If the overcurrent condition persists, the OC hiccup behavior repeats. During latch-off mode operation the device shuts down until the EN pin is toggled or VDD pin is power cycled.

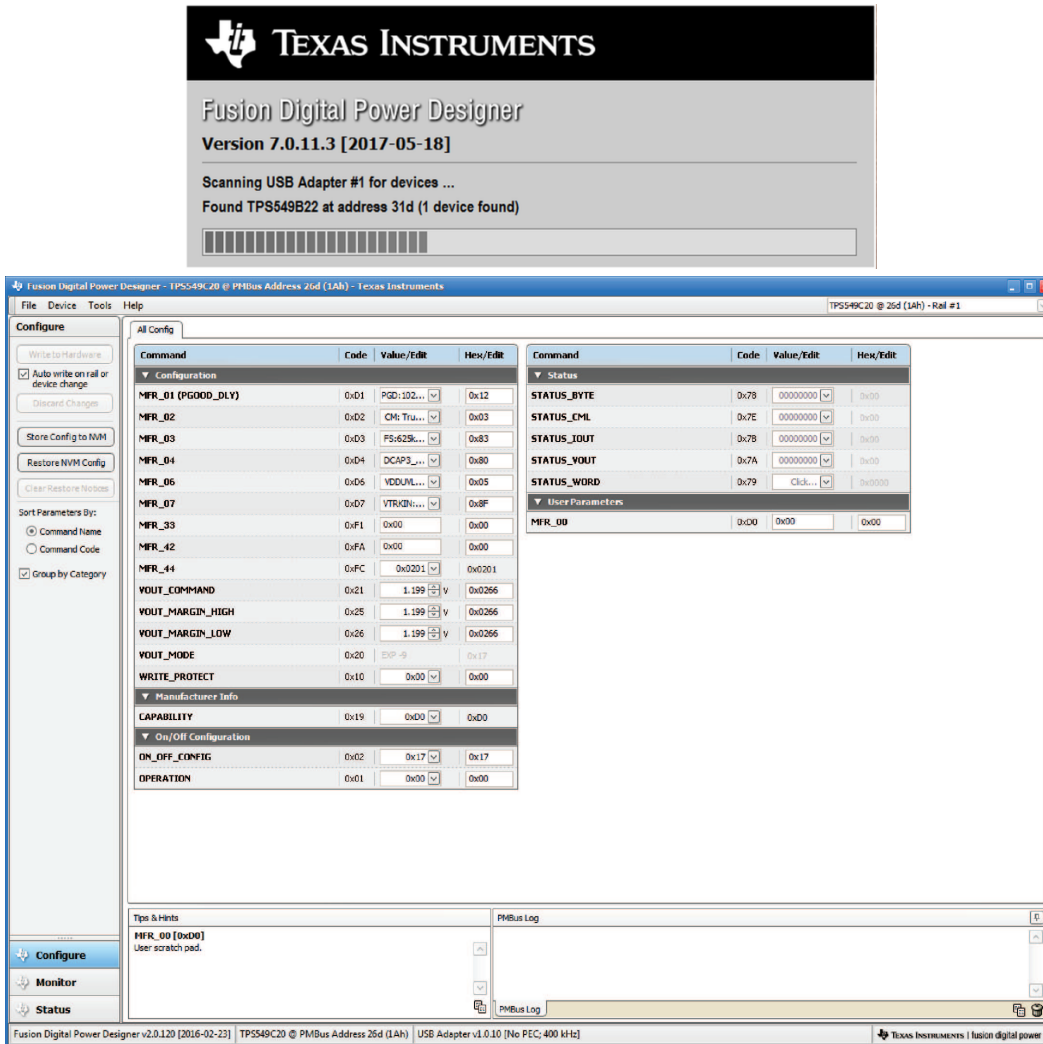
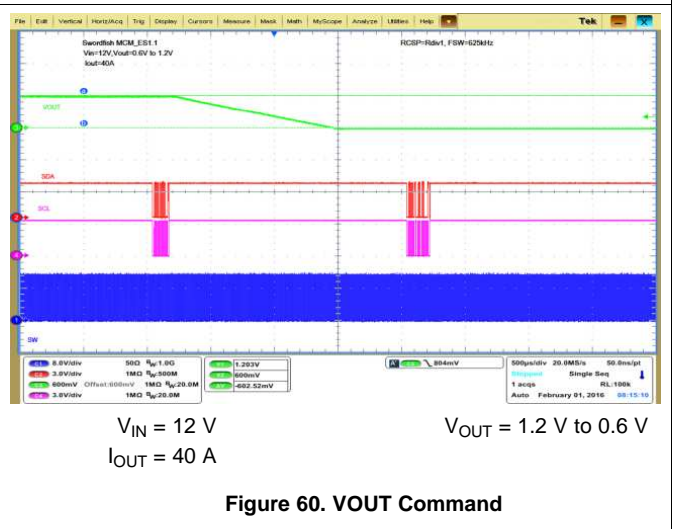
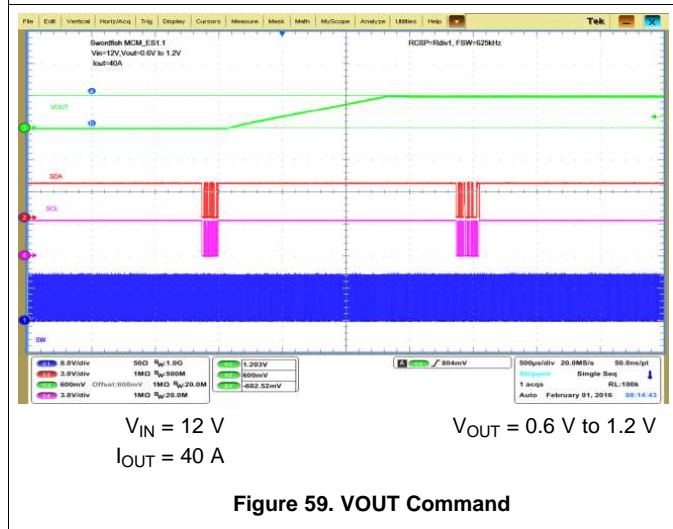
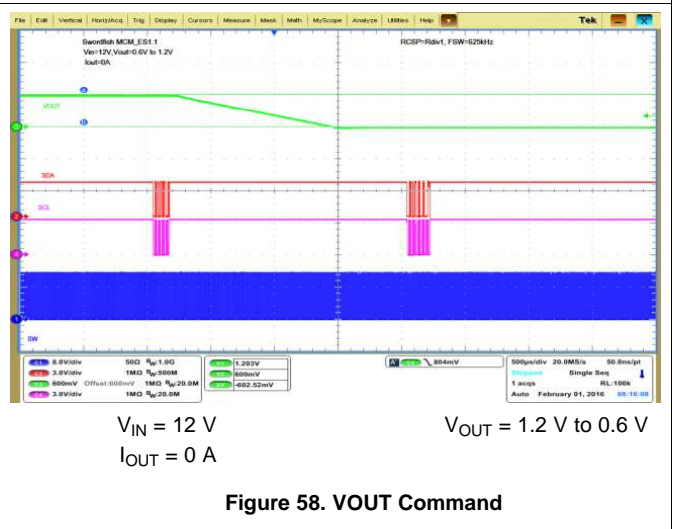
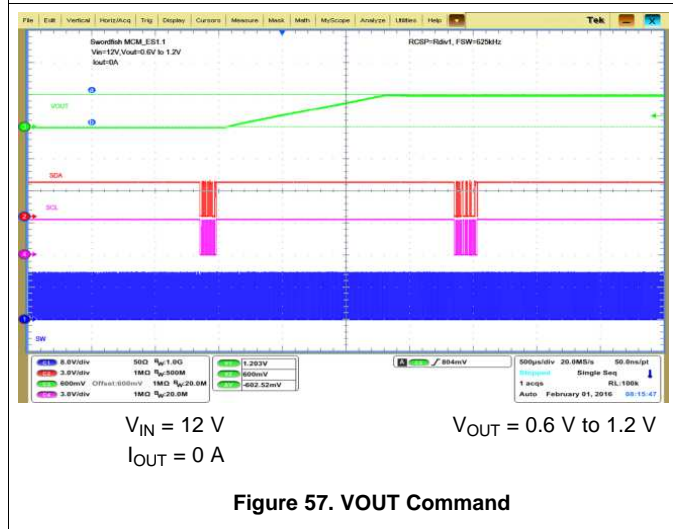
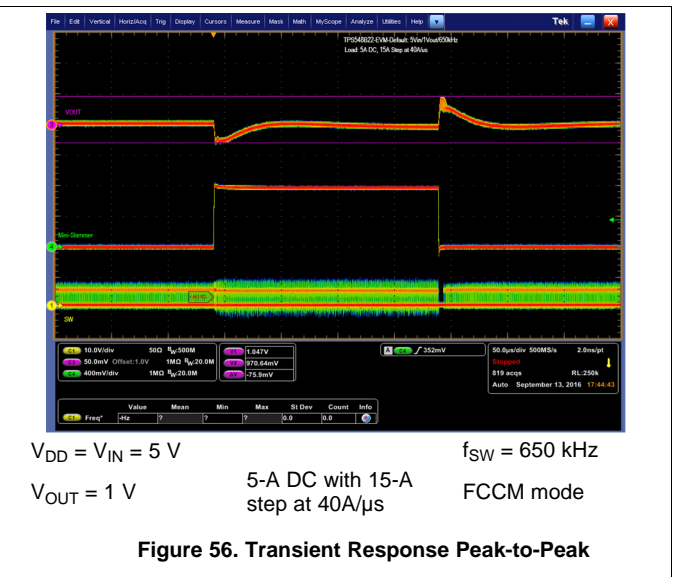
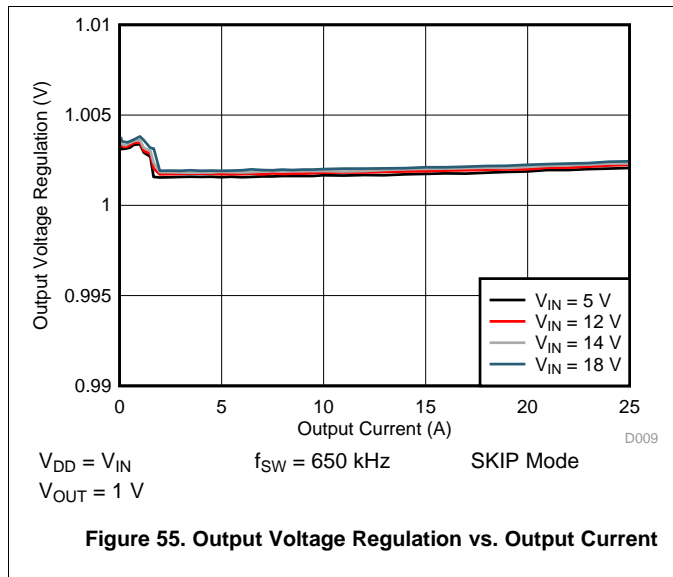


Figure 54. VOUT Command Graphic User Interface

8.2.4 Application Curves



9 Power Supply Recommendations

This device is designed to operate from an input voltage supply between 1.5 V and 18 V. Ensure the supply is well regulated. Proper bypassing of input supplies and internal regulators is also critical for noise performance, as is the quality of the PCB layout and grounding scheme. See the recommendations in the [Layout](#) section.

10 Layout

10.1 Layout Guidelines

Consider these layout guidelines before starting a layout work using TPS549B22.

- It is absolutely critical that all GND pins, including AGND (pin 30), DRGND (pin 29), and PGND (pins 13, 14, 15, 16, 17, 18, 19, and 20) are connected directly to the thermal pad underneath the device via traces or plane.
- Include as many thermal vias as possible to support a 25-A thermal operation. For example, a total of 35 thermal vias are used (outer diameter of 20 mil) in the TPS49B22EVM-847, which is available for purchase at www.ti.com.
- Place the power components (including input/output capacitors, output inductor and TPS549B22 device) on one side of the PCB (solder side). Insert at least two inner layers (or planes) connected to the power ground, in order to shield and isolate the small signal traces from noisy power lines.
- Place the VIN pin decoupling capacitors as close as possible to the PVIN and PGND pins to minimize the input AC current loop. Place a high-frequency decoupling capacitor (with a value between 1 nF and 0.1 μ F) as close to the PVIN pin and PGND pin as the spacing rule allows. This placement helps suppress the switch node ringing.
- Place VDD and BP decoupling capacitors as close as possible to the device pins. Do not use PVIN plane connection for the VDD pin. Separate the VDD signal from the PVIN signal by using separate trace connections. Provide GND vias for each decoupling capacitor and make the loop as small as possible.
- Ensure that the PCB trace defined as switch node (which connects the SW pins and up-stream of the output inductor) are as short and wide as possible. In the TPS49B22EVM-847 design, the SW trace width is 200 mil. Use a separate via or trace to connect SW node to snubber and bootstrap capacitor. Do not combine these connections.
- Place all sensitive analog traces and components (including VOSNS, RSP, RSN, ILIM, MODE, VSEL and ADDR) far away from any high voltage switch node (itself and others), such as SW and BOOT to avoid noise coupling. In addition, place MODE, VSEL and ADDR programming resistors near the device pins.
- The RSP and RSN pins operate as inputs to a differential remote sense amplifier that operates with very high impedance. It is essential to route the RSP and RSN pins as a pair of diff-traces in Kelvin-sense fashion. Route them directly to either the load sense points (+ and –) or the output bulk capacitors. The internal circuit uses the VOSNS pin for on-time adjustment. It is critical to tie the VOSNS pin directly tied to VOUT (load sense point) for accurate output voltage result.
- Pins 6, 7, and 26 are not connected in the 25-A TPS549B22 device, while pins 6, and 7 connect to SW and pins 26 connects to PVIN in the 40-A TPS549D22 device.

10.2 Layout Examples

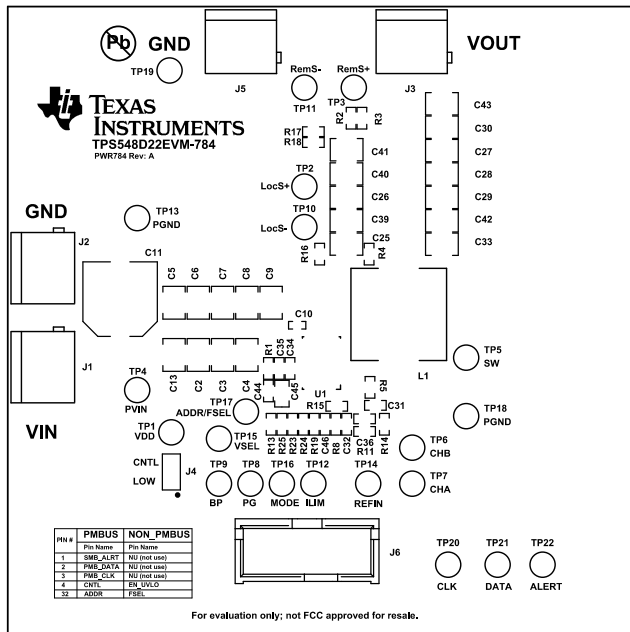


图 61. EVM Top View

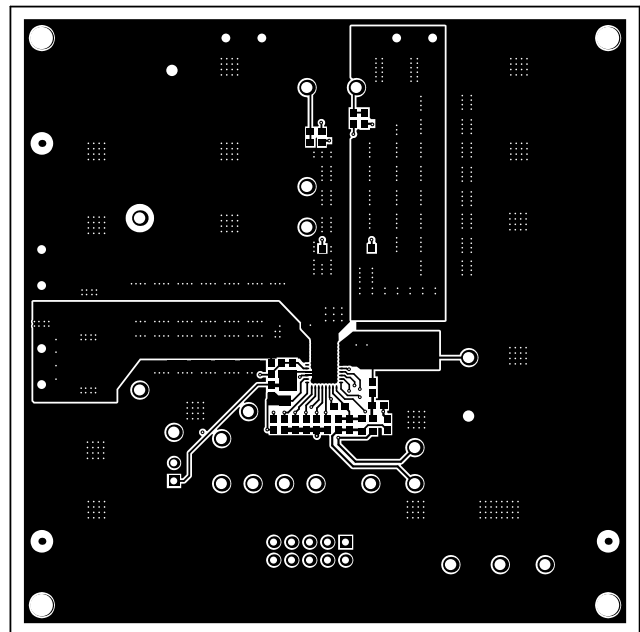


图 62. EVM Top Layer

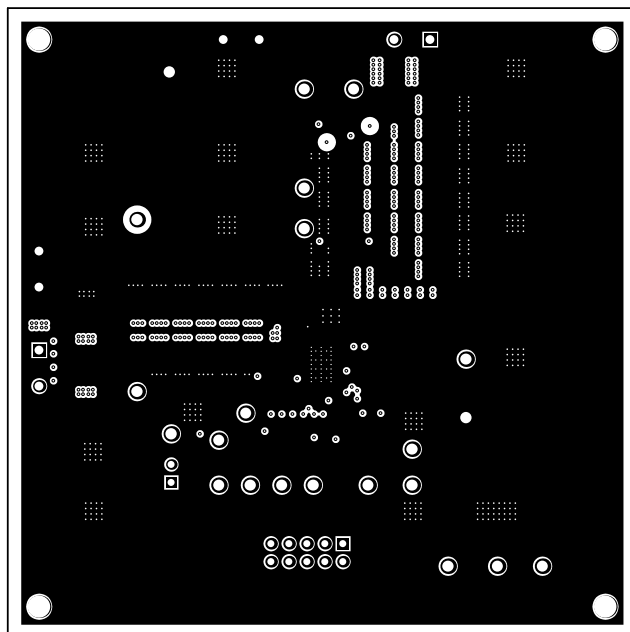


图 63. EVM Inner Layer 1

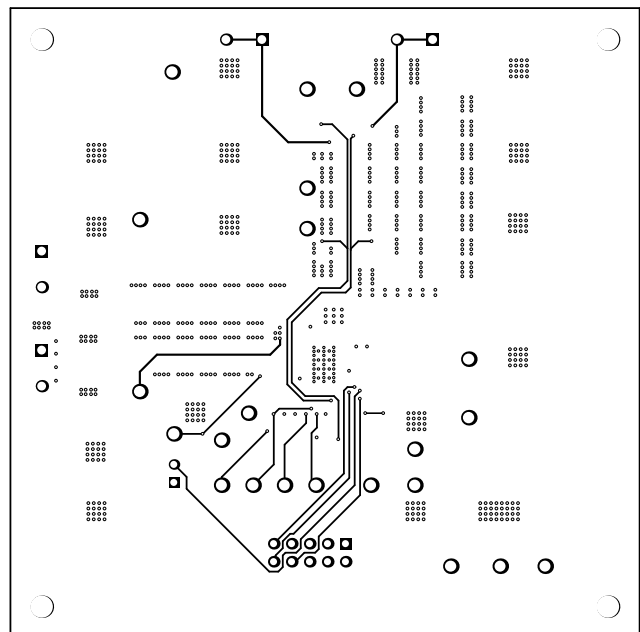


图 64. EVM Inner Layer 2

Layout Examples (接下页)

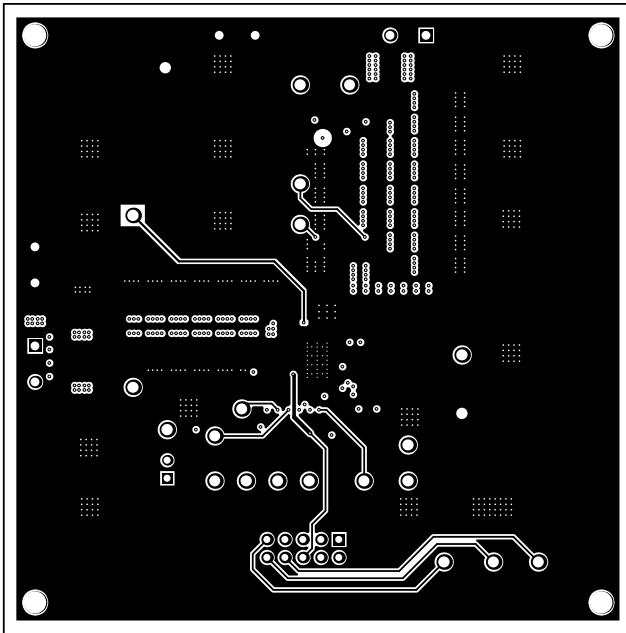


图 65. EVM Inner Layer 3

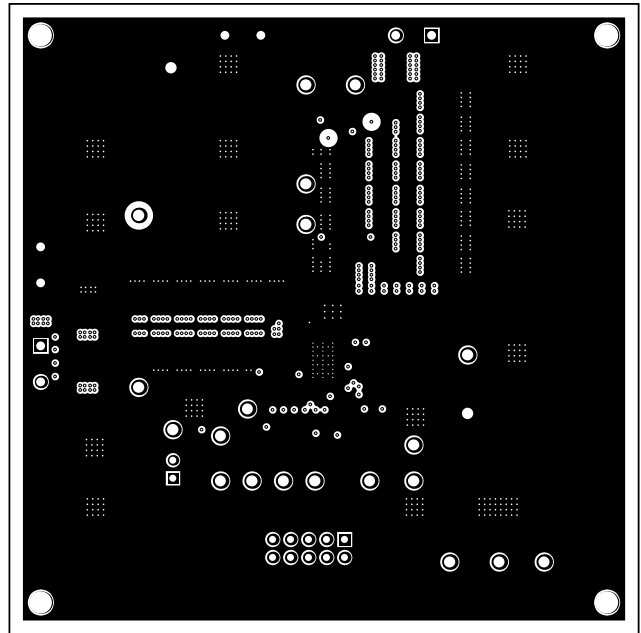


图 66. EVM Inner Layer 4

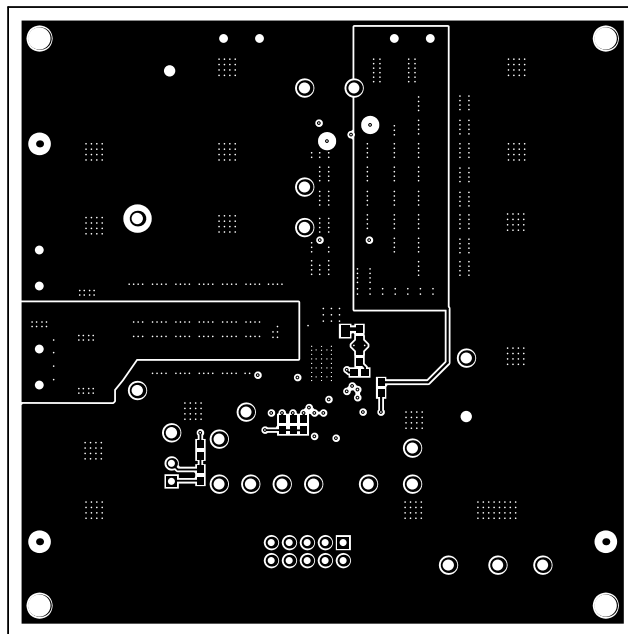


图 67. EVM Bottom Layer

10.3 Mounting and Thermal Profile Recommendation

Proper mounting technique adequately covers the exposed thermal tab with solder. Excessive heat during the reflow process can affect electrical performance. 图 68 shows the recommended reflow oven thermal profile. Proper post-assembly cleaning is also critical to device performance. See

[QFN/SON PCB Attachment](#) for more information.

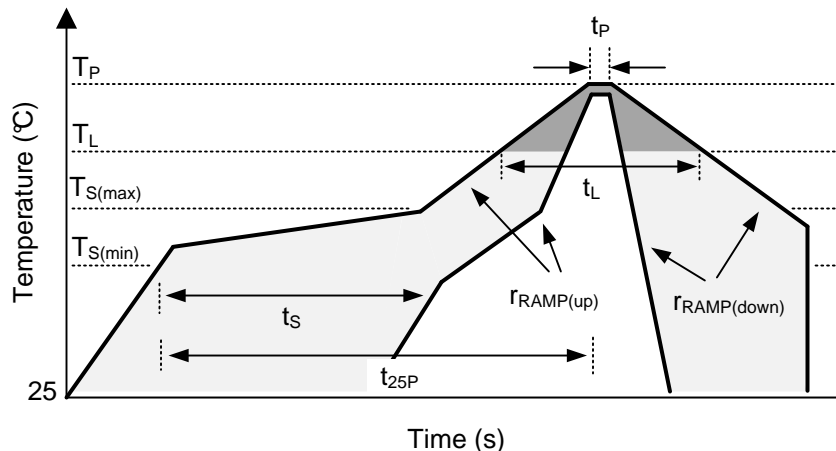


图 68. Recommended Reflow Oven Thermal Profile

表 41. Recommended Thermal Profile Parameters

PARAMETER		MIN	TYP	MAX	UNIT
RAMP UP AND RAMP DOWN					
$r_{\text{RAMP(up)}}$	Average ramp-up rate, $T_{\text{S(max)}}$ to T_{P}			3	°C/s
$r_{\text{RAMP(down)}}$	Average ramp-down rate, T_{P} to $T_{\text{S(max)}}$			6	°C/s
PRE-HEAT					
T_{S}	Pre-heat temperature	150		200	°C
t_{S}	Pre-heat time, $T_{\text{S(min)}}$ to $T_{\text{S(max)}}$	60		180	s
REFLOW					
T_{L}	Liquids temperature		217		°C
T_{P}	Peak temperature			260	°C
t_{L}	Time maintained above liquidus temperature, T_{L}	60		150	s
t_{P}	Time maintained within 5°C of peak temperature, T_{P}	20		40	s
$t_{25\text{P}}$	Total time from 25°C to peak temperature, T_{P}			480	s

11 器件和文档支持

11.1 器件支持

11.1.1 开发支持

11.1.1.1 使用 **WEBENCH®** 工具创建定制设计

单击[此处](#)，使用 TPS549B22 器件并借助 WEBENCH® 电源设计器创建定制设计方案。

1. 在开始阶段键入输出电压 (V_{IN})、输出电压 (V_{OUT}) 和输出电流 (I_{OUT}) 要求。
2. 使用优化器拨盘优化关键设计参数，如效率、封装和成本。
3. 将生成的设计与德州仪器 (TI) 的其他解决方案进行比较。

WEBENCH Power Designer 提供一份定制原理图以及罗列实时价格和组件可用性的物料清单。

在多数情况下，可执行以下操作：

- 运行电气仿真，观察重要波形以及电路性能
- 运行热性能仿真，了解电路板热性能
- 将定制原理图和布局方案导出至常用 CAD 格式
- 打印设计方案的 PDF 报告并与同事共享

有关 WEBENCH 工具的详细信息，请访问 www.ti.com/WEBENCH。

11.2 文档支持

11.2.1 相关文档

请参阅如下相关文档：

《[阻尼器电路：理论、设计 and 应用](#)》

11.3 接收文档更新通知

要接收文档更新通知，请导航至 TI.com 上的器件产品文件夹。请单击右上角的[通知我](#)进行注册，即可收到所有的产品更改信息每周摘要。有关更改的详细信息，请查看任何已修订文档中包含的修订历史记录。

11.4 社区资源

下列链接提供到 TI 社区资源的连接。链接的内容由各个分销商“按照原样”提供。这些内容并不构成 TI 技术规范，并且不一定反映 TI 的观点；请参阅 TI 的 [《使用条款》](#)。

TI E2E™ 在线社区 *TI 的工程师对工程师 (E2E) 社区*。此社区的创建目的在于促进工程师之间的协作。在 e2e.ti.com 中，您可以咨询问题、分享知识、拓展思路并与同行工程师一道帮助解决问题。

设计支持 *TI 参考设计支持* 可帮助您快速查找有帮助的 E2E 论坛、设计支持工具以及技术支持的联系信息。

11.5 商标

D-CAP3, Eco-mode, NexFET, E2E are trademarks of Texas Instruments.

WEBENCH is a registered trademark of Texas Instruments.

PMBus is a trademark of SMIF, Inc..

All other trademarks are the property of their respective owners.

11.6 静电放电警告



ESD 可能会损坏该集成电路。德州仪器 (TI) 建议通过适当的预防措施处理所有集成电路。如果不遵守正确的处理措施和安装程序，可能会损坏集成电路。

ESD 的损坏小至导致微小的性能降级，大至整个器件故障。精密的集成电路可能更容易受到损坏，这是因为非常细微的参数更改都可能导致器件与其发布的规格不相符。

11.7 Glossary

[SLYZ022](#) — *TI Glossary*.

This glossary lists and explains terms, acronyms, and definitions.

12 机械、封装和可订购信息

以下页面包含机械、封装和可订购信息。这些信息是指定器件的最新可用数据。这些数据如有变更，恕不另行通知和修订此文档。如欲获取此数据表的浏览器版本，请参阅左侧的导航。

PACKAGING INFORMATION

Orderable Device	Status (1)	Package Type	Package Drawing	Pins	Package Qty	Eco Plan (2)	Lead finish/ Ball material (6)	MSL Peak Temp (3)	Op Temp (°C)	Device Marking (4/5)	Samples
TPS549B22RVFR	ACTIVE	LQFN-CLIP	RVF	40	2500	RoHS-Exempt & Green	NIPDAU SN	Level-2-260C-1 YEAR	-40 to 125	(549B22, 549B22A1)	Samples
TPS549B22RVFT	ACTIVE	LQFN-CLIP	RVF	40	250	RoHS-Exempt & Green	NIPDAU SN	Level-2-260C-1 YEAR	-40 to 125	(549B22, 549B22A1)	Samples

(1) The marketing status values are defined as follows:

ACTIVE: Product device recommended for new designs.

LIFEBUY: TI has announced that the device will be discontinued, and a lifetime-buy period is in effect.

NRND: Not recommended for new designs. Device is in production to support existing customers, but TI does not recommend using this part in a new design.

PREVIEW: Device has been announced but is not in production. Samples may or may not be available.

OBSOLETE: TI has discontinued the production of the device.

(2) **RoHS:** TI defines "RoHS" to mean semiconductor products that are compliant with the current EU RoHS requirements for all 10 RoHS substances, including the requirement that RoHS substance do not exceed 0.1% by weight in homogeneous materials. Where designed to be soldered at high temperatures, "RoHS" products are suitable for use in specified lead-free processes. TI may reference these types of products as "Pb-Free".

RoHS Exempt: TI defines "RoHS Exempt" to mean products that contain lead but are compliant with EU RoHS pursuant to a specific EU RoHS exemption.

Green: TI defines "Green" to mean the content of Chlorine (Cl) and Bromine (Br) based flame retardants meet JS709B low halogen requirements of <=1000ppm threshold. Antimony trioxide based flame retardants must also meet the <=1000ppm threshold requirement.

(3) MSL, Peak Temp. - The Moisture Sensitivity Level rating according to the JEDEC industry standard classifications, and peak solder temperature.

(4) There may be additional marking, which relates to the logo, the lot trace code information, or the environmental category on the device.

(5) Multiple Device Markings will be inside parentheses. Only one Device Marking contained in parentheses and separated by a "~" will appear on a device. If a line is indented then it is a continuation of the previous line and the two combined represent the entire Device Marking for that device.

(6) Lead finish/Ball material - Orderable Devices may have multiple material finish options. Finish options are separated by a vertical ruled line. Lead finish/Ball material values may wrap to two lines if the finish value exceeds the maximum column width.

Important Information and Disclaimer:The information provided on this page represents TI's knowledge and belief as of the date that it is provided. TI bases its knowledge and belief on information provided by third parties, and makes no representation or warranty as to the accuracy of such information. Efforts are underway to better integrate information from third parties. TI has taken and continues to take reasonable steps to provide representative and accurate information but may not have conducted destructive testing or chemical analysis on incoming materials and chemicals. TI and TI suppliers consider certain information to be proprietary, and thus CAS numbers and other limited information may not be available for release.

In no event shall TI's liability arising out of such information exceed the total purchase price of the TI part(s) at issue in this document sold by TI to Customer on an annual basis.

TAPE AND REEL INFORMATION

QUADRANT ASSIGNMENTS FOR PIN 1 ORIENTATION IN TAPE


*All dimensions are nominal

Device	Package Type	Package Drawing	Pins	SPQ	Reel Diameter (mm)	Reel Width W1 (mm)	A0 (mm)	B0 (mm)	K0 (mm)	P1 (mm)	W (mm)	Pin1 Quadrant
TPS549B22RVFR	LQFN-CLIP	RVF	40	2500	330.0	16.4	5.3	7.3	1.8	8.0	16.0	Q1
TPS549B22RVFT	LQFN-CLIP	RVF	40	250	180.0	16.4	5.3	7.3	1.8	8.0	16.0	Q1

TAPE AND REEL BOX DIMENSIONS


*All dimensions are nominal

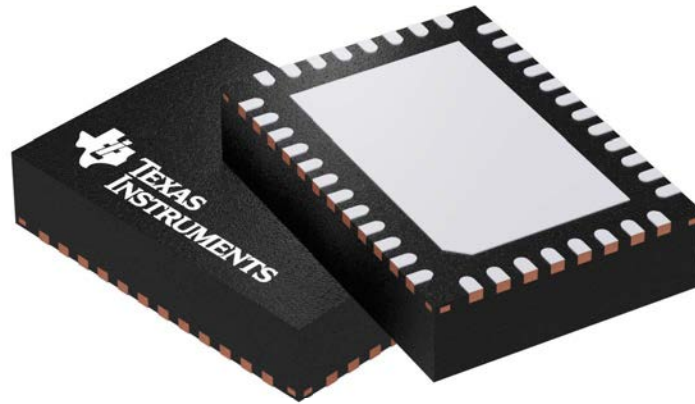
Device	Package Type	Package Drawing	Pins	SPQ	Length (mm)	Width (mm)	Height (mm)
TPS549B22RVFR	LQFN-CLIP	RVF	40	2500	367.0	367.0	38.0
TPS549B22RVFT	LQFN-CLIP	RVF	40	250	213.0	191.0	35.0

GENERIC PACKAGE VIEW

RVF 40

LQFN-CLIP - 1.52 mm max height

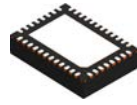
PLASTIC QUAD FLATPACK - NO LEAD



Images above are just a representation of the package family, actual package may vary.
Refer to the product data sheet for package details.

4211383/D

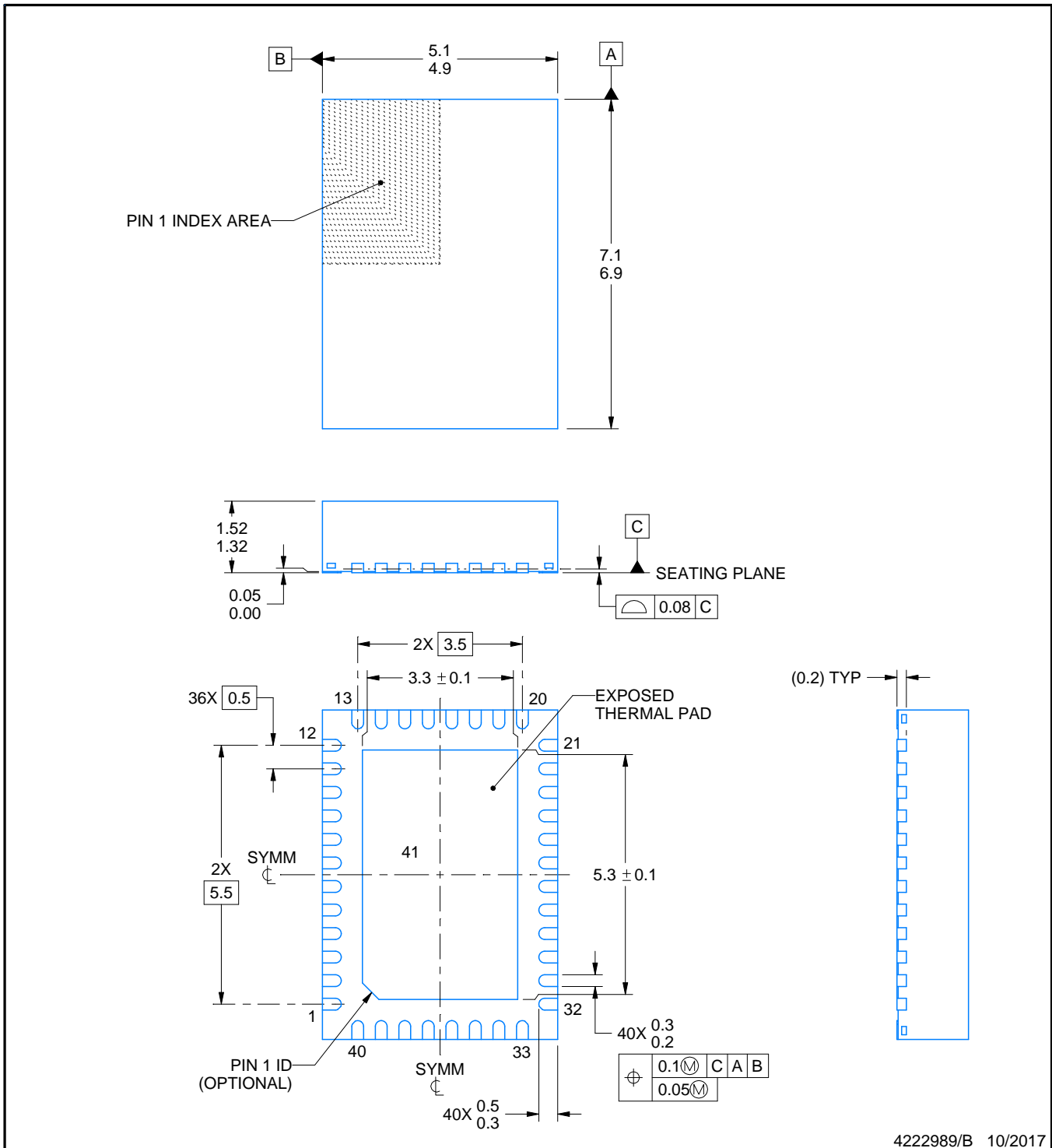
RVF0040A



PACKAGE OUTLINE

LQFN-CLIP - 1.52 mm max height

PLASTIC QUAD FLATPACK - NO LEAD



4222989/B 10/2017

NOTES:

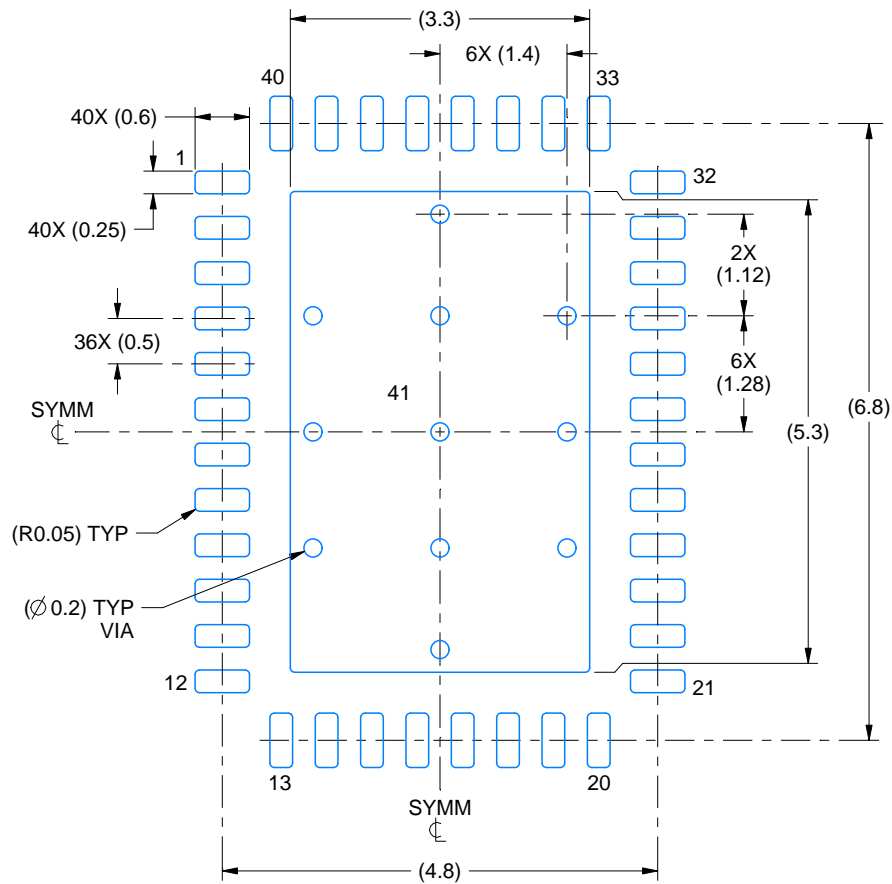
1. All linear dimensions are in millimeters. Any dimensions in parenthesis are for reference only. Dimensioning and tolerancing per ASME Y14.5M.
2. This drawing is subject to change without notice.
3. The package thermal pad must be soldered to the printed circuit board for thermal and mechanical performance.
4. Reference JEDEC registration MO-220.

EXAMPLE BOARD LAYOUT

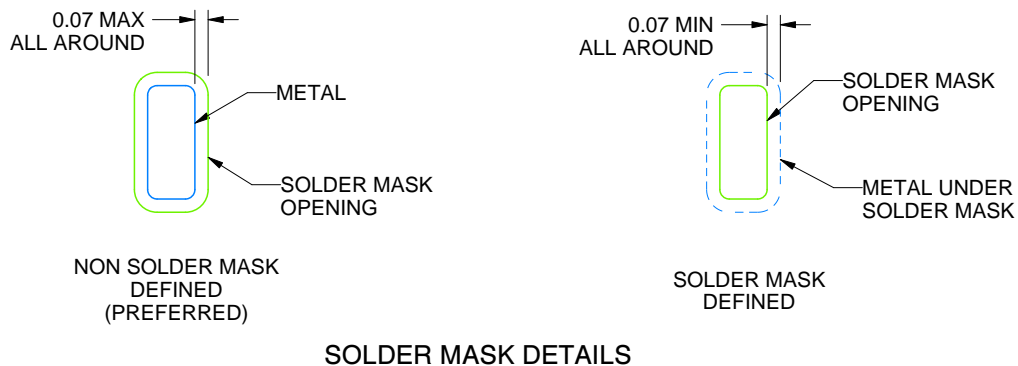
RVF0040A

LQFN-CLIP - 1.52 mm max height

PLASTIC QUAD FLATPACK - NO LEAD



LAND PATTERN EXAMPLE
SCALE:12X



SOLDER MASK DETAILS

4222989/B 10/2017

NOTES: (continued)

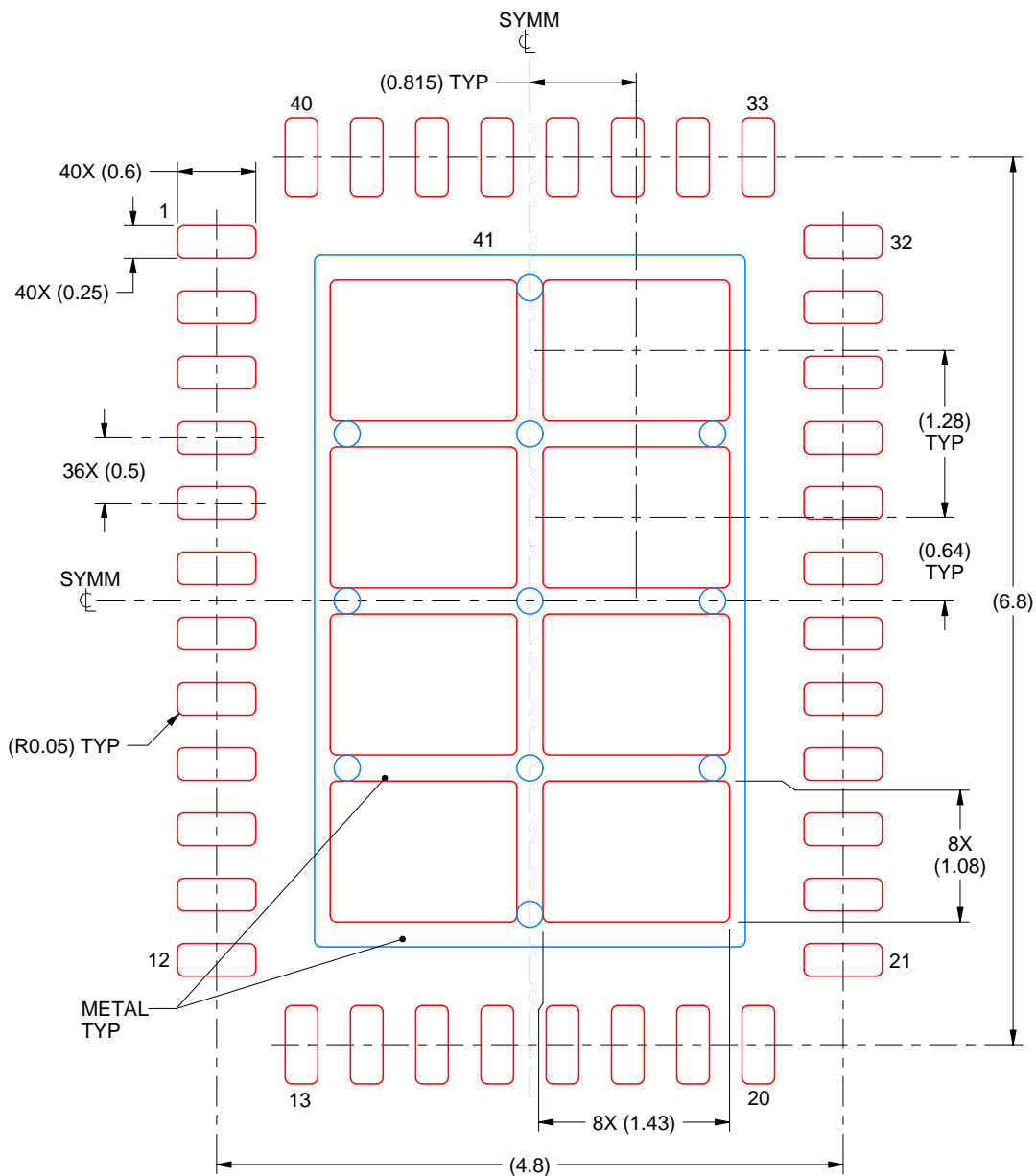
5. This package is designed to be soldered to a thermal pad on the board. For more information, see Texas Instruments literature number SLUA271 (www.ti.com/lit/slua271).

EXAMPLE STENCIL DESIGN

RVF0040A

LQFN-CLIP - 1.52 mm max height

PLASTIC QUAD FLATPACK - NO LEAD



SOLDER PASTE EXAMPLE
BASED ON 0.125 mm THICK STENCIL

EXPOSED PAD
71% PRINTED SOLDER COVERAGE BY AREA
SCALE:18X

4222989/B 10/2017

NOTES: (continued)

6. Laser cutting apertures with trapezoidal walls and rounded corners may offer better paste release. IPC-7525 may have alternate design recommendations.

重要声明和免责声明

TI“按原样”提供技术和可靠性数据（包括数据表）、设计资源（包括参考设计）、应用或其他设计建议、网络工具、安全信息和其他资源，不保证没有瑕疵且不做任何明示或暗示的担保，包括但不限于对适销性、某特定用途方面的适用性或不侵犯任何第三方知识产权的暗示担保。

这些资源可供使用 TI 产品进行设计的熟练开发人员使用。您将自行承担以下全部责任：(1) 针对您的应用选择合适的 TI 产品，(2) 设计、验证并测试您的应用，(3) 确保您的应用满足相应标准以及任何其他功能安全、信息安全、监管或其他要求。

这些资源如有变更，恕不另行通知。TI 授权您仅可将这些资源用于研发本资源所述的 TI 产品的应用。严禁对这些资源进行其他复制或展示。您无权使用任何其他 TI 知识产权或任何第三方知识产权。您应全额赔偿因在这些资源的使用中对 TI 及其代表造成的任何索赔、损害、成本、损失和债务，TI 对此概不负责。

TI 提供的产品受 [TI 的销售条款](#) 或 [ti.com](#) 上其他适用条款/TI 产品随附的其他适用条款的约束。TI 提供这些资源并不会扩展或以其他方式更改 TI 针对 TI 产品发布的适用的担保或担保免责声明。

TI 反对并拒绝您可能提出的任何其他或不同的条款。

邮寄地址：Texas Instruments, Post Office Box 655303, Dallas, Texas 75265

Copyright © 2023，德州仪器 (TI) 公司