

DIX4192-Q1 集成数字音频接口接收器和发送器

1 特性

- 适用于汽车电子 应用
- 具有符合 AEC-Q100 标准的下列结果：
 - 器件温度等级：
 - DIX4192I-Q1: 3 级 (–40°C 至 +85°C)
 - DIX4192T-Q1: 2 级 (–40°C 至 +105°C)
 - 器件人体模型 (HBM) 静电放电 (ESD) 分类等级 2
 - 器件组件充电模式 (CDM) ESD 分类等级 C4B
- 数字音频接口发送器 (DIT)
 - 将 PCM/编码数据转换为 S/PDIF 数据
 - 最高支持 216kHz 的采样率
 - 包含差分线路驱动器和 CMOS 缓冲输出
- 数字音频接口接收器 (DIR)
 - 将 S/PDIF 转换为立体声 PCM/编码数据
 - 锁相环 (PLL) 锁定范围包括介于 20kHz 到 216kHz 之间的采样率
 - 四个差分输入线路接收器和一个输入多路复用器
 - 旁路多路复用器将线路驱动器输出路由至线路驱动器和缓冲区输出
 - 自动检测非 PCM 音频流 (DTS CD/LD 和 IEC 61937 格式)
 - 音频 CD Q 通道子代码解码和数据缓冲
 - 低抖动恢复时钟输出
- 用户可选的串行主机接口: SPI™或 I²C 的 16 位调光控制
 - 提供片上寄存器和数据缓冲区的访问权限
 - 标记条件和错误条件的状态寄存器和中断生成
 - 通道状态和用户数据的块大小数据缓冲区
- 两个音频串行端口 (端口 A 和 B)
 - 用于外部信号处理器、数据转换器和逻辑的同步串行接口
 - 采样率高达 216kHz 的主/从模式操作
 - 支持左对齐、右对齐和飞利浦 I²S™数据格式
 - 支持高达 24 位的音频数据字长

- 四个通用数字输出
 - 通过控制寄存器实现多功能可编程性
- 超长掉电支持
 - 可以单独禁用不使用的功能块
- 由 1.8V 内核和 3.3V I/O 电源供电
- 小型 TQFP-48 封装, 兼容 SRC4382 和 SRC4392

2 应用

- 汽车信息娱乐系统

3 说明

DIX4192-Q1 器件是一款高度集成的 CMOS 器件, 适用于专业和广播数字音频系统。DIX4192-Q1 将数字音频接口接收器 (DIR) 和发送器 (DIT)、两个音频串行端口以及用于功能块数据和时钟互连的灵活分布逻辑完美结合。

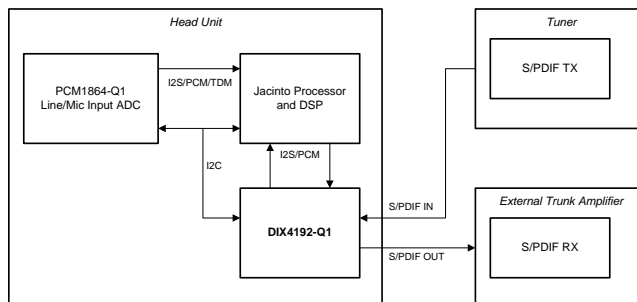
DIR 和 DIT 兼容 AES3、S/PDIF、IEC 60958 和 EIAJ CP-1201 接口标准。音频串行端口和 DIT 能够以高达 216kHz 的采样率运行。DIR 锁定范围包括介于 20kHz 到 216kHz 之间的采样率。

器件信息(1)

| 器件型号 | 封装 | 封装尺寸 (标称值) |
|------------|-----------|-----------------|
| DIX4192-Q1 | TQFP (48) | 7.00mm × 7.00mm |

(1) 要了解所有可用封装, 请参阅数据表末尾的封装选项附录。

DIX4192-Q1 典型应用



Copyright © 2017, Texas Instruments Incorporated



目录

| | | | | | |
|----------|--|-----------|-----------|---|-----------|
| 1 | 特性 | 1 | 9.3 | Feature Description | 12 |
| 2 | 应用 | 1 | 9.4 | Device Functional Modes | 23 |
| 3 | 说明 | 1 | 9.5 | Register Maps | 26 |
| 4 | 修订历史记录 | 2 | 10 | Application and Implementation | 51 |
| 5 | 说明 (续) | 3 | 10.1 | Application Information | 51 |
| 6 | Device Comparison Table | 3 | 10.2 | Typical Application | 58 |
| 7 | Pin Configuration and Functions | 4 | 11 | Power Supply Recommendations | 59 |
| 8 | Specifications | 5 | 12 | Layout | 60 |
| 8.1 | Absolute Maximum Ratings | 5 | 12.1 | Layout Guidelines | 60 |
| 8.2 | ESD Ratings | 6 | 12.2 | Layout Example | 60 |
| 8.3 | Recommended Operating Conditions | 6 | 13 | 器件和文档支持 | 61 |
| 8.4 | Thermal Information | 6 | 13.1 | 器件支持 | 61 |
| 8.5 | Electrical Characteristics | 6 | 13.2 | 文档支持 | 61 |
| 8.6 | Timing Requirements | 7 | 13.3 | 接收文档更新通知 | 61 |
| 8.7 | Typical Characteristics | 10 | 13.4 | 社区资源 | 61 |
| 9 | Detailed Description | 11 | 13.5 | 商标 | 62 |
| 9.1 | Overview | 11 | 13.6 | 静电放电警告 | 62 |
| 9.2 | Functional Block Diagram | 12 | 13.7 | Glossary | 62 |
| | | | 14 | 机械、封装和可订购信息 | 62 |

4 修订历史记录

注：之前版本的页码可能与当前版本有所不同。

| Changes from Original (July 2016) to Revision A | Page |
|---|-------------|
| • 已添加 新的 T 版 DIX4192-Q1 到数据表 | 1 |
| • 已更改 Q1 认证 特性 项目以便显示更多信息，并从最后一项移到第一项 | 1 |
| • 已更改 DIX4192IPFBR-Q1 特定器件名称为 DIX4192-Q1 一般器件名称，因为添加了新的 T 版器件；一般器件名称同时适用于 I 版和 T 版器件 | 1 |
| • Added ambient temperature range for new T-version device to <i>Absolute Maximum Ratings</i> table | 5 |
| • Added ambient operating temperature to <i>Recommended Operating Conditions</i> table | 6 |
| • Changed f_{MCLK} max value From: 2.27 To: 27.7 | 6 |

5 说明（续）

DIX4192-Q1 器件通过四线串行外设接口 (SPI) 端口或双线 I²C 总线接口存取的片上控制寄存器和数据缓冲器进行配置。通过状态寄存器，可以访问来自不同功能块的各种标记和错误位。该器件提供了开漏中断输出引脚，该引脚通过控制寄存器设置由灵活的中断报告和屏蔽选项提供支持。该器件还提供了主复位输入引脚，以供通过主机处理器或监测功能进行初始化。

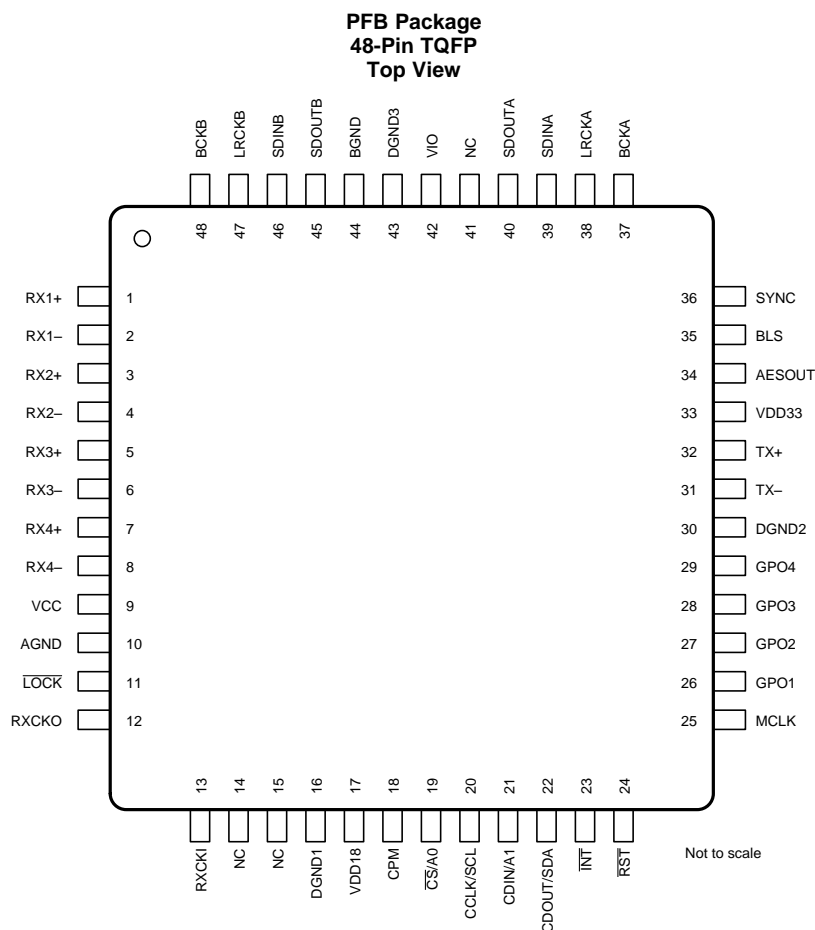
DIX4192-Q1 器件不仅需要 3.3V 电源来为部分 DIR、DIT 以及线路驱动器和接收器功能供电，还需要一个 1.8V 内核逻辑电源。单独的逻辑 I/O 电源支持在 1.65V 到 3.6V 范围内运行，且兼容通常位于数字信号处理器和可编程逻辑器件上的低电压逻辑接口。

DIX4192-Q1 器件采用无铅的 TQFP-48 封装。

6 Device Comparison Table

| PART NUMBER | 1.8-V I/O | MULTI-CH PCM | ADC | PCM PORTS | S/PDIF PORTS |
|-------------|-----------|--------------|-----|----------------------------|---|
| DIX4192-Q1 | Yes | No | No | 2 | 4 differential line in and 1 differential line out |
| PCM9211 | No | Yes | Yes | Up to 3 in and up to 3 out | Up to 12 single-ended in and up to 2 single-ended out |
| DIX9211 | No | Yes | No | Up to 3 in and up to 3 out | Up to 12 single-ended in and up to 2 single-ended out |

7 Pin Configuration and Functions



Pin Functions

| PIN | | TYPE ⁽¹⁾ | DESCRIPTION |
|--------------------|-----|---------------------|---|
| NAME | NO. | | |
| AESOUT | 34 | O | DIT buffered AES3-encoded data |
| AGND | 10 | GND | DIR comparator and PLL power-supply ground |
| BCKA | 37 | I/O | Audio serial port A bit clock |
| BCKB | 48 | I/O | Audio serial port B bit clock |
| BGND | 44 | GND | Substrate ground, connect to AGND (pin 10) |
| BLS | 35 | I/O | DIT block start clock |
| CCLK/SCL | 20 | I | Serial data clock for SPI mode or I ² C mode |
| CDIN/A1 | 21 | I | SPI port serial data input or programmable slave address for I ² C mode |
| CDOUT/SDA | 22 | I/O | SPI port serial data output (tri-state output) or serial data I/O for I ² C mode |
| CPM | 18 | I | Control port mode, 0 = SPI mode, 1 = I ² C mode |
| $\overline{CS}/A0$ | 19 | I | Chip select (active low) for SPI mode or programmable slave address for I ² C mode |
| DGND1 | 16 | GND | Digital core ground |
| DGND2 | 30 | GND | DIR line receiver bias and DIT line driver digital ground |
| DGND3 | 43 | GND | Logic I/O ground |
| GPO1 | 26 | O | General-purpose output 1 |
| GPO2 | 27 | O | General-purpose output 2 |
| GPO3 | 28 | O | General-purpose output 3 |

(1) I = Input, O = Output, PWR = Power, GND = Ground

Pin Functions (continued)

| PIN | | TYPE ⁽¹⁾ | DESCRIPTION |
|--------------------------|------------|---------------------|--|
| NAME | NO. | | |
| GPO4 | 29 | O | General-purpose output 4 |
| $\overline{\text{INT}}$ | 23 | O | Interrupt flag (open-drain, active low) |
| $\overline{\text{LOCK}}$ | 11 | O | DIR PLL lock flag (active low) |
| LRCKA | 38 | I/O | Audio serial Port A left/right clock |
| LRCKB | 47 | I/O | Audio serial Port B left/right clock |
| MCLK | 25 | I | Master clock |
| NC | 14, 15, 41 | — | No internal signal connection, internally bonded to ESD pad |
| $\overline{\text{RST}}$ | 24 | I | Reset (active low) |
| RX1+ | 1 | I | Line receiver 1, noninverting input |
| RX1– | 2 | I | Line receiver 1, inverting input |
| RX2+ | 3 | I | Line receiver 2, noninverting input |
| RX2– | 4 | I | Line receiver 2, inverting input |
| RX3+ | 5 | I | Line receiver 3, noninverting input |
| RX3– | 6 | I | Line receiver 3, inverting input |
| RX4+ | 7 | I | Line receiver 4, noninverting input |
| RX4– | 8 | I | Line receiver 4, inverting input |
| RXCKI | 13 | I | DIR reference clock |
| RXCKO | 12 | O | DIR recovered master clock (tri-state output) |
| SDINA | 39 | I | Audio serial Port A data input |
| SDINB | 46 | I | Audio serial Port B data input |
| SDOUTA | 40 | O | Audio serial Port A data output |
| SDOUTB | 45 | O | Audio serial Port B data output |
| SYNC | 36 | O | DIT internal sync clock |
| TX+ | 32 | O | DIT line driver noninverting output |
| TX– | 31 | O | DIT line driver inverting output |
| VCC | 9 | PWR | DIR comparator and PLL power supply, 3.3-V nominal |
| VDD18 | 17 | PWR | Digital core supply, 1.8-V nominal |
| VDD33 | 33 | PWR | DIR line receiver bias and DIT line driver supply, 3.3-V nominal |
| VIO | 42 | PWR | Logic I/O supply, 1.65 V to 3.6 V |

8 Specifications

8.1 Absolute Maximum Ratings

over operating free-air temperature range (unless otherwise noted)⁽¹⁾

| | | MIN | MAX | UNIT | |
|--|---|---------------|-------------|-----------------|----|
| Power supply | VDD18 | –0.3 | 2 | V | |
| | VDD33 | –0.3 | 4 | | |
| | VIO | –0.3 | 4 | | |
| | VCC | –0.3 | 4 | | |
| Digital input voltage: digital logic | RXCKI, CPM, $\overline{\text{CS}}$, CCLK, CDIN, CDOUT, $\overline{\text{INT}}$, $\overline{\text{RST}}$, MCLK, BLS, SYNC, BCKA, BCKB, LRCKA, LRCKB, SDINA, SDINB | –0.3 | (VIO + 0.3) | V | |
| Line receiver input voltage (per pin) | RX1+, RX1–, RX2+, RX2–, RX3+, RX3–, RX4+, RX4– | (VDD33 + 0.3) | | V _{PP} | |
| Input current (all pins except power and ground) | | | ±10 | mA | |
| Ambient operating temperature, T _A | DIX4192I-Q1 | –40 | 85 | °C | |
| | DIX4192T-Q1 | –40 | 105 | | |
| Storage temperature, T _{stg} | | | –65 | 150 | °C |

(1) Stresses beyond those listed under *Absolute Maximum Ratings* may cause permanent damage to the device. These are stress ratings only, which do not imply functional operation of the device at these or any other conditions beyond those indicated under *Recommended Operating Conditions*. Exposure to absolute-maximum-rated conditions for extended periods may affect device reliability.

8.2 ESD Ratings

| | | VALUE | UNIT | |
|--------------------|-------------------------|---|---|------|
| V _(ESD) | Electrostatic discharge | Human-body model (HBM), per AEC Q100-002 ⁽¹⁾ | ±2000 | |
| | | Charged-device model (CDM), per AEC Q100-011 | All pins | ±500 |
| | | | Corner pins (1, 12, 13, 24, 25, 36, 37, and 48) | ±750 |

(1) AEC Q100-002 indicates that HBM stressing shall be in accordance with the ANSI/ESDA/JEDEC JS-001 specification.

8.3 Recommended Operating Conditions

over operating free-air temperature range (unless otherwise noted)

| | | MIN | NOM | MAX | UNIT |
|----------------|---|-------------|-----|------|------|
| VDD18 | 1.8-V power-supply voltage | 1.65 | 1.8 | 1.95 | V |
| VDD33 | 3.3-V power-supply voltage | 3 | 3.3 | 3.6 | V |
| VCC | DIR comparator and PLL power-supply voltage | 3 | 3.3 | 3.6 | V |
| VIO | Logic I/O power-supply voltage | 1.65 | 3.3 | 3.6 | V |
| T _A | Ambient operating temperature | DIX4192I-Q1 | | 85 | °C |
| | | DIX4192T-Q1 | –40 | 105 | |

8.4 Thermal Information

| THERMAL METRIC ⁽¹⁾ | | DIX4192-Q1 | UNIT |
|-------------------------------|--|------------|------|
| | | PFB (TQFP) | |
| | | 48 PINS | |
| R _{θJA} | Junction-to-ambient thermal resistance | 62.0 | °C/W |
| R _{θJC(top)} | Junction-to-case (top) thermal resistance | 12.8 | °C/W |
| R _{θJB} | Junction-to-board thermal resistance | 27.9 | °C/W |
| ψ _{JT} | Junction-to-top characterization parameter | 0.3 | °C/W |
| ψ _{JB} | Junction-to-board characterization parameter | 27.6 | °C/W |

(1) For more information about traditional and new thermal metrics, see the [Semiconductor and IC Package Thermal Metrics](#) application report.

8.5 Electrical Characteristics

all specifications are at T_A = 25°C, VDD18 = 1.8 V, VDD33 = 3.3 V, VIO = 3.3 V, and VCC = 3.3 V (unless otherwise noted)

| PARAMETER | TEST CONDITIONS | MIN | TYP | MAX | UNIT |
|---|--------------------------------------|---|-----|-----------|-----------------|
| DIGITAL I/O CHARACTERISTICS (ALL I/O PINS EXCEPT LINE RECEIVERS AND LINE DRIVER) | | | | | |
| V _{IH} | High-level input voltage | 0.7 × VIO | | VIO | V |
| V _{IL} | Low-level input voltage | 0 | | 0.3 × VIO | V |
| I _{IH} | High-level input current | I _O = –4 mA, MUTE, SDINA, and SDINB pins | | 0.5 | 30 |
| | | I _O = –4 mA, all other pins | | 0.5 | 10 |
| I _{IL} | Low-level input current | I _O = 4 mA | | 0.5 | 10 |
| V _{OH} | High-level output voltage | 0.8 × VIO | | VIO | V |
| V _{OL} | Low-level output voltage | 0 | | 0.2 × VIO | V |
| C _{IN} | Input capacitance | 3 | | | pF |
| LINE RECEIVER INPUTS (RX1+, RX1–, RX2+, RX2–, RX3+, RX3–, RX4+, RX4–) | | | | | |
| V _{TH} | Differential input sensitivity | Voltage across a given differential input pair | | 150 | 200 |
| V _{HY} | Input hysteresis | | | 150 | |
| LINE DRIVER OUTPUTS (TX+, TX–) | | | | | |
| V _{T XO} | Differential output voltage | R _L = 110 Ω across TX+ and TX– | | 5.4 | V _{PP} |
| MASTER CLOCK INPUT | | | | | |
| f _{MCLK} | Master clock input (MCLK) frequency | 1 | | 27.7 | MHz |
| f _{MCLKD} | Master clock input (MCLK) duty cycle | 45% | | 55% | |
| DIGITAL AUDIO INTERFACE RECEIVER (DIR) | | | | | |

Electrical Characteristics (continued)

all specifications are at $T_A = 25^\circ\text{C}$, $V_{DD18} = 1.8\text{ V}$, $V_{DD33} = 3.3\text{ V}$, $V_{IO} = 3.3\text{ V}$, and $V_{CC} = 3.3\text{ V}$ (unless otherwise noted)

| PARAMETER | | TEST CONDITIONS | MIN | TYP | MAX | UNIT |
|--|---|---|-----|------|------|---------------|
| PLL lock range | | $T_A = 25^\circ\text{C}$ | 20 | | 216 | kHz |
| | | $T_A = 85^\circ\text{C}$ or 105°C | 24 | | 216 | |
| f_{RXCKI} | Reference clock input (RXCKI) frequency | | 3.5 | | 27.7 | MHz |
| f_{RXCKID} | Reference clock input (RXCKI) duty cycle | | 45% | | 55% | |
| f_{RXCKO} | Recovered clock output (RXCKO) frequency | | 3.5 | | 27.7 | MHz |
| f_{RXCKOD} | Recovered clock output (RXCKO) duty cycle | | 45% | | 55% | |
| | Recovered clock output (RXCKO) intrinsic jitter | Measured cycle-to-cycle | | 250 | | ps RMS |
| DIGITAL AUDIO INTERFACE TRANSMITTER (DIT) | | | | | | |
| | Intrinsic output jitter | Measured cycle-to-cycle | | 200 | | ps RMS |
| POWER SUPPLIES | | | | | | |
| Supply current: initial startup | | All blocks powered down by default | | | | μA |
| | IDD18S | $V_{DD18} = 1.8\text{ V}$ | | 10 | | |
| | IDD33S | $V_{DD33} = 3.3\text{ V}$ | | 10 | | |
| | IIOS | $V_{IO} = 3.3\text{ V}$ | | 300 | | |
| | ICCS | $V_{CC} = 3.3\text{ V}$ | | 10 | | |
| Supply current: quiescent | | All blocks powered up with no clocks applied | | | | mA |
| | IDD18Q | $V_{DD18} = 1.8\text{ V}$ | | 2.3 | | |
| | IDD33Q | $V_{DD33} = 3.3\text{ V}$ | | 0.6 | | |
| | IIOQ | $V_{IO} = 3.3\text{ V}$ | | 0.3 | | |
| | ICCQ | $V_{CC} = 3.3\text{ V}$ | | 6.3 | | |
| Supply current: dynamic | | All blocks powered up, $f_S = 48\text{ kHz}$ | | | | mA |
| | IDD18D | $V_{DD18} = 1.8\text{ V}$ | | 5.1 | | |
| | IDD33D | $V_{DD33} = 3.3\text{ V}$ | | 14.1 | | |
| | IIOD ⁽¹⁾ | $V_{IO} = 3.3\text{ V}$ | | 46 | | |
| | ICCD | $V_{CC} = 3.3\text{ V}$ | | 7.4 | | |
| Supply current: high sampling rate | | All blocks powered up, $f_S = 192\text{ kHz}$ | | | | mA |
| | IDD18H | $V_{DD18} = 1.8\text{ V}$ | | 6.7 | | |
| | IDD33H | $V_{DD33} = 3.3\text{ V}$ | | 15 | | |
| | IIOH ⁽¹⁾ | $V_{IO} = 3.3\text{ V}$ | | 47 | | |
| | ICCH | $V_{CC} = 3.3\text{ V}$ | | 7.5 | | |
| Total power dissipation: initial startup | | All blocks powered down by default | | 1 | | mW |
| Total power dissipation: quiescent | | All blocks powered up with no clocks applied | | 28 | | mW |
| Total power dissipation: dynamic | | All blocks powered up, $f_S = 48\text{ kHz}$ | | 233 | | mW |
| Total power dissipation: high sampling rate | | All blocks powered up, $f_S = 192\text{ kHz}$ | | 242 | | mW |

(1) The typical V_{IO} supply current is measured using the DIX4192-Q1EVM evaluation module with loading from the DAIMB motherboard circuitry. V_{IO} supply current is dependent upon the loading on the logic output pins.

8.6 Timing Requirements

| | | MIN | NOM | MAX | UNIT |
|---|-------------------------------------|-----|-----|--------|------|
| AUDIO SERIAL PORTS (PORT A AND PORT B) | | | | | |
| f_{LRCK} | LRCK clock frequency | 0 | | 216 | kHz |
| t_{LRCKD} | LRCK clock duty cycle | | 50% | | |
| f_{BCK} | BCK clock frequency | 0 | | 13.824 | MHz |
| t_{BCKH} | BCK high pulse duration | 10 | | | ns |
| t_{BCKL} | BCK low pulse duration | 10 | | | ns |
| t_{AIS} | Audio data Input (SDIN) set-up time | 10 | | | ns |
| t_{AISH} | Audio data input (SDIN) hold time | 10 | | | ns |
| t_{ADD} | Audio data output (SDOUT) delay | | | 10 | ns |

Timing Requirements (continued)

| | | MIN | NOM | MAX | UNIT |
|---|--|---------------------------------------|-----|---------------------|---------------|
| HOST INTERFACE: SPI MODE | | | | | |
| f_{CCLK} | Serial clock (CCLK) frequency | 0 | | 40 | MHz |
| t_{CSCR} | $\overline{\text{CS}}$ falling to CCLK rising | 8 | | | ns |
| t_{CFCS} | CCLK falling to $\overline{\text{CS}}$ rising | 7 | | | ns |
| t_{CDS} | CDIN data set-up time | 7 | | | ns |
| t_{CDH} | CDIN data hold time | 6 | | | ns |
| t_{CFDO} | CCLK falling to CDOOUT data valid | | | 3 | ns |
| t_{CSZ} | $\overline{\text{CS}}$ rising to CDOOUT high-impedance | | | 3 | ns |
| HOST INTERFACE: I²C STANDARD MODE⁽¹⁾ | | | | | |
| f_{SCL} | SCL clock frequency | 0 | | 100 | kHz |
| t_{HDSTA} | Hold time repeated START condition | 4 | | | μs |
| t_{LOW} | Low period of SCL clock | 4.7 | | | μs |
| t_{HIGH} | High period of SCL clock | 4 | | | μs |
| t_{SUSTA} | Set-up time repeated START condition | 4.7 | | | μs |
| t_{HDDAT} | Data hold time | 0 ⁽²⁾ | | 3.45 ⁽³⁾ | μs |
| t_{SUDAT} | Data set-up time | 250 | | | ns |
| t_{R} | Rise time for both SDA and SDL | | | 1000 | ns |
| t_{F} | Fall time for both SDA and SDL | | | 300 | ns |
| t_{SUSTO} | Set-up time for STOP condition | 4 | | | μs |
| t_{BUF} | Bus free time between START and STOP | 4.7 | | | μs |
| C_{B} | Capacitive load for each bus line | | | 400 | pF |
| V_{NL} | Noise margin at low level (including hysteresis) | $0.1 \times V_{\text{IO}}$ | | | V |
| V_{NH} | Noise margin at high level (including hysteresis) | $0.2 \times V_{\text{IO}}$ | | | V |
| HOST INTERFACE: I²C FAST MODE⁽¹⁾ | | | | | |
| f_{SCL} | SCL clock frequency | 0 | | 400 | kHz |
| t_{HDSTA} | Hold time repeated START condition | 0.6 | | | μs |
| t_{LOW} | Low period of SCL clock | 1.3 | | | μs |
| t_{HIGH} | High period of SCL clock | 0.6 | | | μs |
| t_{SUSTA} | Set-up time repeated START condition | 0.6 | | | μs |
| t_{HDDAT} | Data hold time | 0 ⁽²⁾ | | 0.9 ⁽³⁾ | μs |
| t_{SUDAT} | Data set-up time | 100 ⁽⁴⁾ | | | ns |
| t_{R} | Rise time for both SDA and SDL | $20 + 0.2C_{\text{B}}$ ⁽⁵⁾ | | 300 | ns |
| t_{F} | Fall time for both SDA and SDL | $20 + 0.2C_{\text{B}}$ ⁽⁵⁾ | | 300 | ns |
| t_{SUSTO} | Set-up time for STOP condition | 0.6 | | | μs |
| t_{BUF} | Bus free time between START and STOP | 1.3 | | | μs |
| t_{SP} | Spike pulse duration suppressed by input filter | 0 | | 50 | ns |
| C_{B} | Capacitive load for each bus Line | | | 400 | pF |
| V_{NL} | Noise margin at low level (including hysteresis) | $0.1 \times V_{\text{IO}}$ | | | V |
| V_{NH} | Noise margin at high level (including hysteresis) | $0.2 \times V_{\text{IO}}$ | | | V |

- (1) All values referred to the V_{IH} minimum and V_{IL} maximum levels listed in the Digital I/O Characteristics section of this table.
- (2) A device must internally provide a hold time of at least 300 ns for the SDA signal (referred to the V_{IH} minimum input level) to bridge the undefined region of the falling edge of SCL.
- (3) The maximum t_{HDDAT} has only to be met if the device does not stretch the Low period (t_{LOW}) of the SCL signal.
- (4) A Fast mode I²C bus device can be used in a Standard mode I²C bus system, but the requirement that t_{SUDAT} be 250 ns (minimum) must then be met. For the DIX4192-Q1, this condition is automatically the case, because the device does not stretch the Low period of the SCL signal.
- (5) C_{B} is defined as the total capacitance of one bus line in picofarads (pF). If mixed with High-Speed mode devices, faster fall times are allowed.

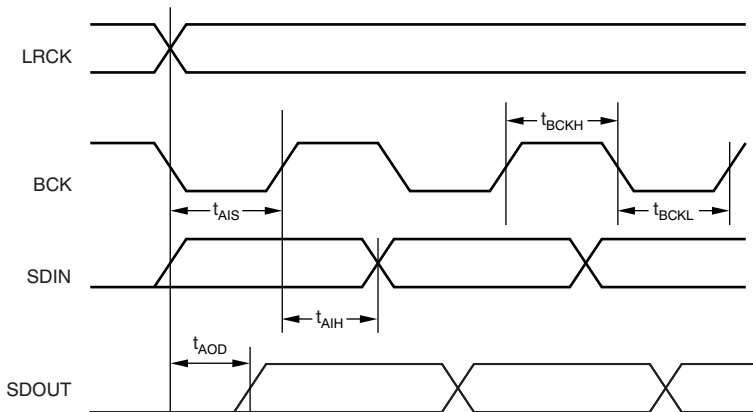


Figure 1. Audio Serial Port Timing

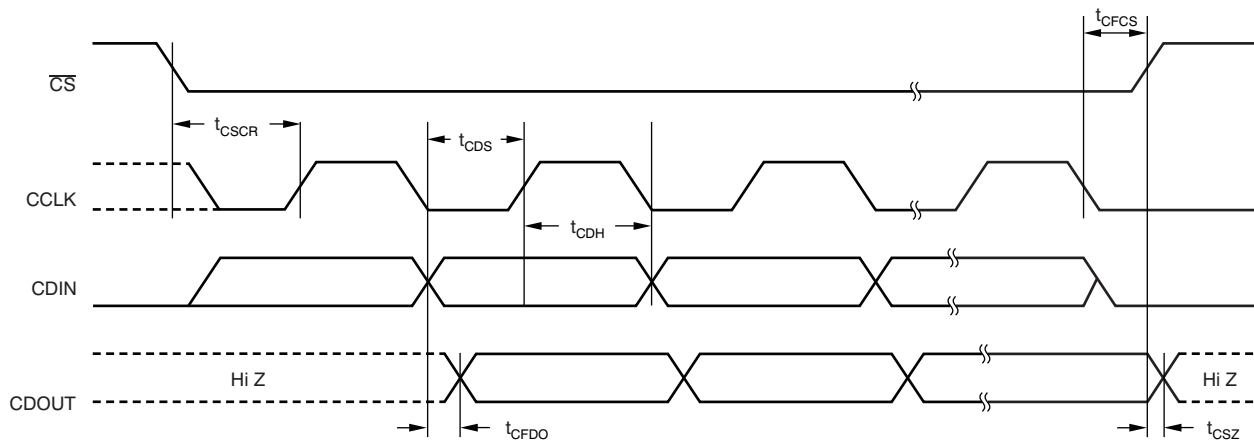


Figure 2. SPI Timing

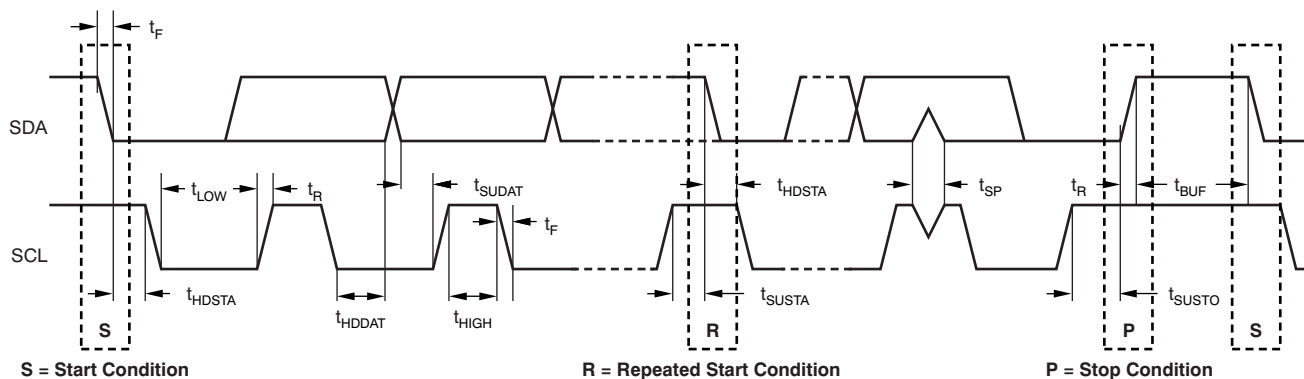
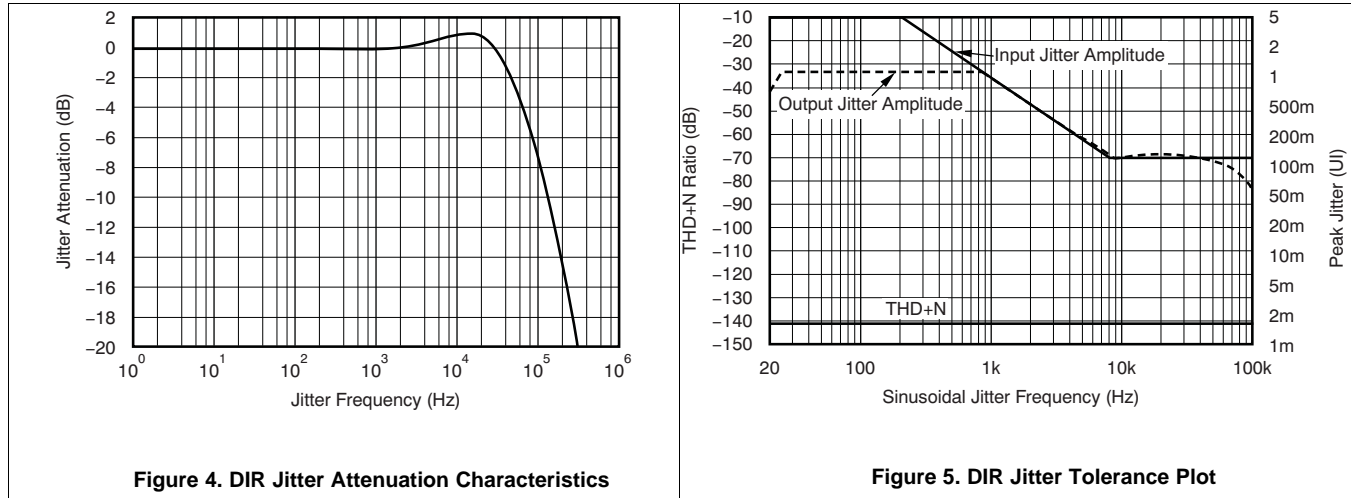


Figure 3. I²C Standard and Fast Mode Timing

8.7 Typical Characteristics



9 Detailed Description

9.1 Overview

The DIX4192-Q1 is an integrated digital audio interface receiver and transmitter (DIR and DIT). Two audio serial ports, Port A and Port B, support input and output interfacing to external data converters, signal processors, and logic devices. On-chip routing logic provides for flexible interconnection between the four functional blocks. The audio serial ports and DIT may be operated at sampling rates up to 216 kHz. The DIR is specified for a PLL lock range that includes sampling rates from 20 kHz to 216 kHz. All function blocks support audio data word lengths up to 24 bits.

The DIX4192-Q1 requires an external host processor or logic for configuration control. The DIX4192-Q1 includes a user-selectable serial host interface, which operates as either a 4-wire serial peripheral interface (SPI) port or a 2-wire Philips I²C bus interface. The SPI port operates at bit rates up to 40 MHz. The I²C bus interface may be operated in standard or fast modes, supporting operation at 100 kbps and 400 kbps, respectively. The SPI and I²C interfaces provide access to internal control and status registers, as well as the buffers used for the DIR and DIT channel status and user data.

The digital interface receiver (DIR) includes four differential input line receiver circuits, suitable for balanced or unbalanced cable interfaces. Interfacing to optical receiver modules and CMOS logic devices is also supported. The outputs of the line receivers are connected to a 1-of-4 data selector, referred to as the receiver input multiplexer, which is used to select one of the four line receiver outputs for processing by the DIR core. The outputs of the line receivers are also connected to a second data selector, the bypass multiplexer, which may be used to route input data streams to the DIT CMOS output buffer and differential line driver functions. This configuration provides a bypass signal path for AES3-encoded input data streams.

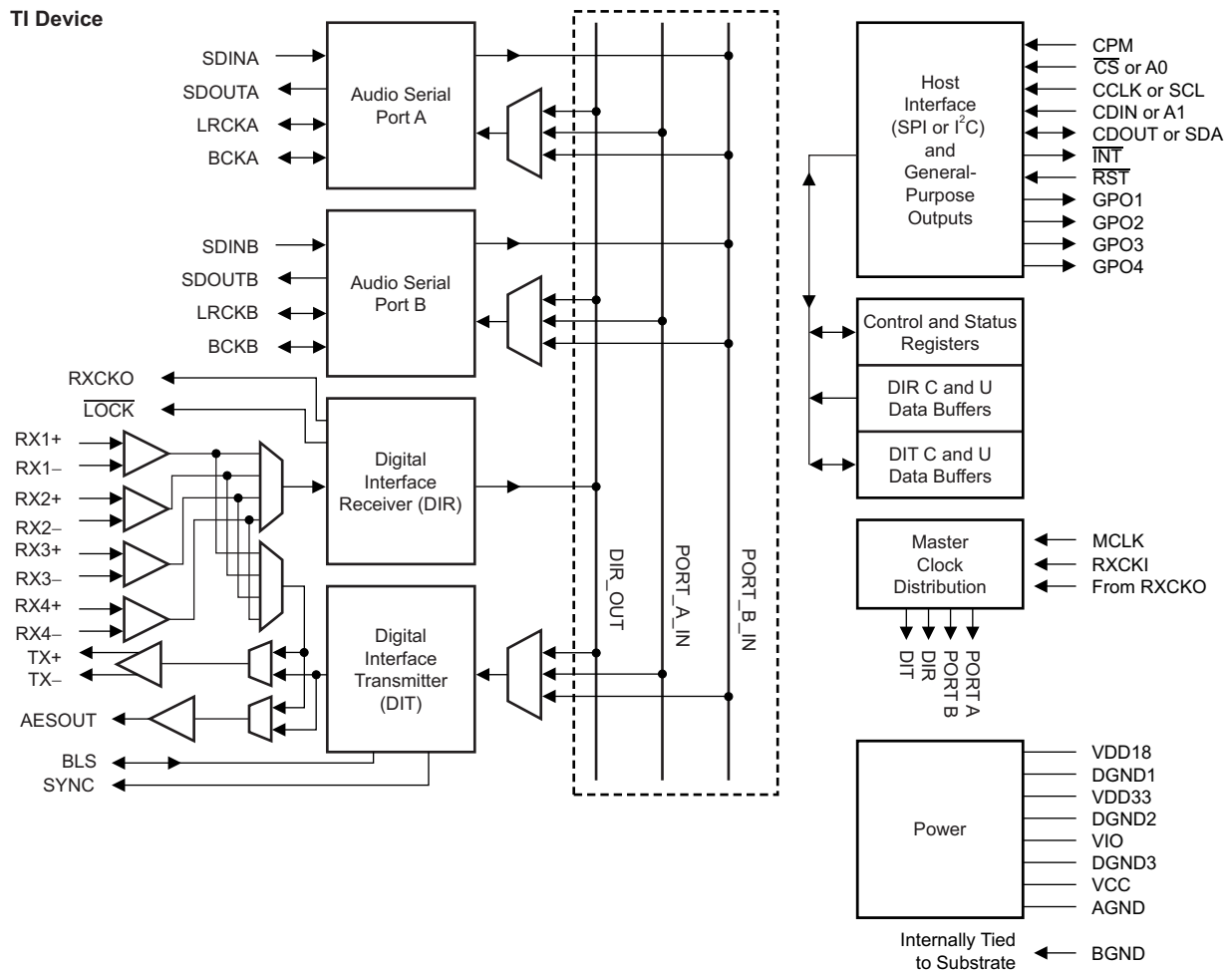
The DIR core decodes the selected input stream data and separates the audio, channel status, user, validity, and parity data. Channel status and user data is stored in block-sized buffers, which may be accessed through the SPI or I²C serial host interface, or routed directly to the general-purpose output pins (GPO1 through GPO4). The validity and parity bits are processed to determine error status. The DIR core recovers a low jitter master clock, which may be used to generate word and bit clocks using on-chip or external logic circuitry.

The digital interface transmitter (DIT) encodes digital audio input data into an AES3-formatted output data stream. Two DIT outputs are provided, including a differential line driver and a CMOS output buffer. Both the line driver and buffer include 1-of-2 input data selectors, which are used to choose either the output of the DIT AES3 encoder, or the output of the bypass multiplexer. The line driver output is suitable for balanced or unbalanced cable interfaces, while the CMOS output buffer supports interfacing to optical transmitter modules and external logic or line drivers. The DIT includes block-sized data buffers for both channel status and user data. These buffers are accessed through either the SPI or I²C host interface, or may be loaded directly from the DIR channel status and user data buffers.

The DIX4192-Q1 includes four general-purpose digital outputs, or GPO pins. The GPO pins may be configured as simple logic outputs, which may be programmed to either a low or high state. Alternatively, the GPO pins may be connected to one of 13 internal logic nodes, allowing them to serve as functional, status, or interrupt outputs. The GPO pins provide added utility in applications where hardware access to selected internal logic signals may be necessary.

[Functional Block Diagram](#) shows a simplified functional block diagram for the DIX4192-Q1. Additional details for each function block will be covered in respective sections of this data sheet.

9.2 Functional Block Diagram



Copyright © 2017, Texas Instruments Incorporated

9.3 Feature Description

9.3.1 RESET Operation

The DIX4192-Q1 includes an asynchronous active low reset input, \overline{RST} (pin 24), which may be used to initialize the internal logic at any time. The reset sequence forces all registers and buffers to their default settings. The reset low pulse duration must be a minimum of 500 ns in length. The user must not attempt a write or read operation using either the SPI or I²C port for at least 500 μ s after the rising edge of \overline{RST} . See Figure 6 for the reset timing sequence of the DIX4192-Q1.

In addition to reset input, the RESET bit in control register 0x01 may be used to force an internal reset, whereby all registers and buffers are forced to their default settings. Refer to [Control Registers](#) for details regarding the RESET bit function.

Upon reset initialization, all functional blocks of the DIX4192-Q1 default to the power-down state, with the exception of the SPI or I²C host interface and the corresponding control registers. The user may then program the DIX4192-Q1 to the desired configuration, and release the desired function blocks from the power-down state using the corresponding bits in control register 0x01.

Feature Description (continued)

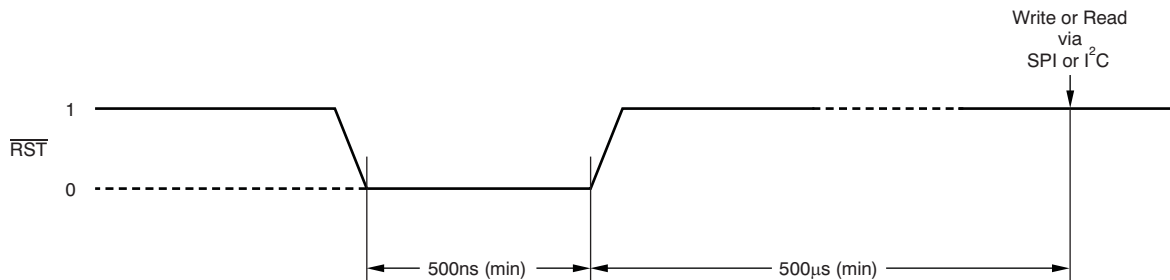


Figure 6. Reset Sequence Timing

9.3.2 Master and Reference Clocks

The DIX4192-Q1 includes two clock inputs, MCLK (pin 25) and RXCKI (pin 13). The MCLK clock input is typically used as the master clock source for the audio serial ports and/or the DIT. The MCLK may also be used as the reference clock for the DIR. The RXCKI clock input is typically used for the DIR reference clock source, although it may also be used as the master or reference clock source for the audio serial ports.

In addition to the MCLK and RXCKI clock sources, the DIR core recovers a master clock from the AES3-encoded input data stream. This clock is suitable for use as a master or system clock source in many applications. The recovered master clock output, RXCKO (pin 12), may be used as the master or reference clock source for the audio serial ports and the DIT, as well as external audio devices.

The master clock frequency for the audio serial ports (Port A and Port B) depends on the Slave or Master mode configuration of the port. In Slave mode, the ports do not require a master clock because the left/right word and bit clocks are inputs, sourced from an external audio device serving as the serial bus timing master. In Master mode, the serial ports derive the left/right word and bit clock outputs from the selected master clock source, MCLK, RXCKI, or RXCKO. The left/right word clock rate is derived from the selected master clock source using one of four clock divider settings (divide by 128, 256, 384, or 512). Refer to [Audio Serial Port Operation](#) for additional details.

The DIT always requires a master clock source, which may be either the MCLK input, or the DIR recovered clock output, RXCKO. Like the audio serial ports, the DIT output frame rate is derived from the selected master clock using one of four clock divider settings (divide-by-128, -256, -384, or -512). Refer to [Digital Interface Transmitter \(DIT\) Operation](#) for additional details.

The DIR reference clock may be any frequency that meets the PLL1 set-up requirements, described in [Control Registers](#). Typically, a common audio system clock rate, such as 11.2896 MHz, 12.288 MHz, 22.5792 MHz, or 24.576 MHz, may be used for this clock.

TI recommends that the clock sources for MCLK and RXCKI input be generated by low-jitter crystal oscillators for optimal performance. In general, phase-locked loop (PLL) clock synthesizers must be avoided, unless they are designed or specified for low clock jitter.

Feature Description (continued)

9.3.3 Audio Serial Port Operation

The DIX4192-Q1 includes two audio serial ports, Port A and Port B. Both ports are 4-wire synchronous serial interfaces, supporting simultaneous input and output operation. Because each port has only one pair of left or right word and bit clocks, the input and output sampling rates are identical. A simplified block diagram is shown in [Figure 7](#).

The audio serial ports may be operated at sampling rates up to 216 kHz, and support audio data word lengths up to 24 bits. Philips I²S, Left-Justified, and Right-Justified serial data formats are supported. Refer to [Figure 8](#).

The left or right word clock (LRCKA or LRCKB) and the bit clock (BCKA or BCKB) may be configured for either Master or Slave mode operation. In Master mode, these clocks are outputs, derived from the selected master clock source using internal clock dividers. The master clock source may be 128, 256, 384, or 512 times the audio input/output sampling rate, with the clock divider being selected using control register bits for each port. In Slave mode the left or right word and bit clocks are inputs, and are sourced from an external audio device acting as the serial bus master.

The LRCKA or LRCKB clocks operate at the input and output sampling rate, f_s . The BCKA and BCKB clock rates are fixed at 64 times the left or right word clock rate in Master mode. For Slave mode, the minimum BCKA and BCKB clock rate is determined by the audio data word length multiplied by two, because there are two audio data channels per left or right word period. For example, if the audio data word length is 24 bits, the bit clock rate must be at least 48 times the left or right word clock rate, allowing one bit clock period for each data bit in the serial bit stream.

Serial audio data is clocked into the port on the rising edge of the bit clock, while data is clocked out of the port on the falling edge of the bit clock. Refer to the Audio Serial Ports section of the [Electrical Characteristics](#) table for parametric information and [Figure 1](#) for a timing diagram related to audio serial port operation.

The audio serial ports are configured using control registers 0x03 through 0x06. Refer to [Control Registers](#) for descriptions of the control register bits.

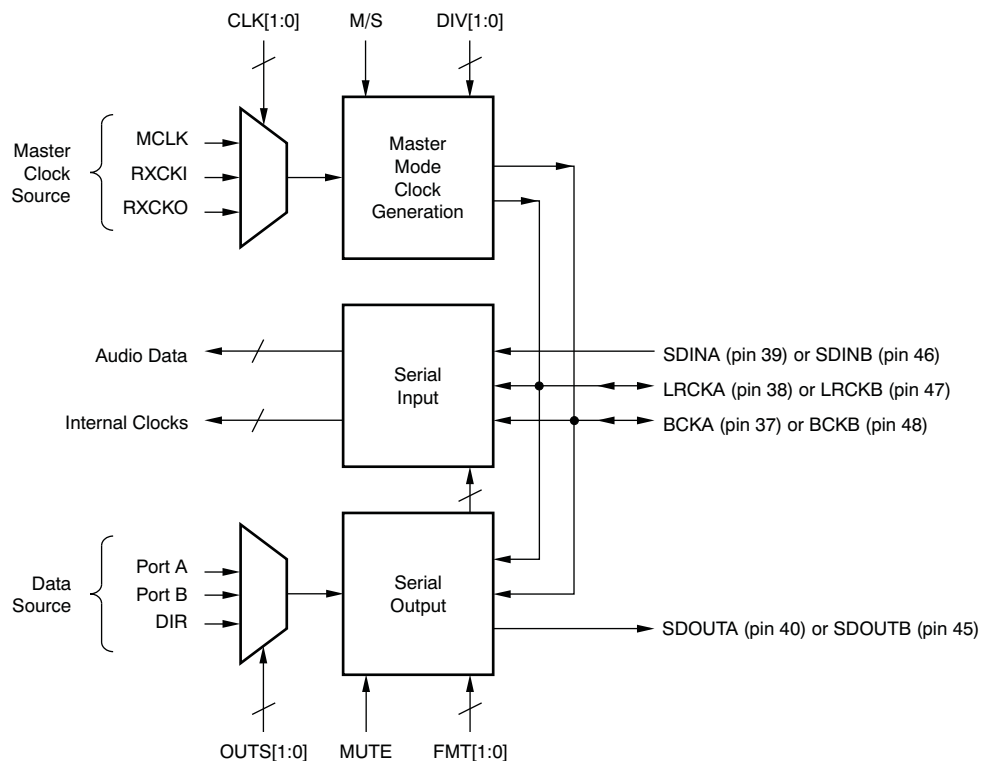


Figure 7. Audio Serial Port Block Diagram

Feature Description (continued)

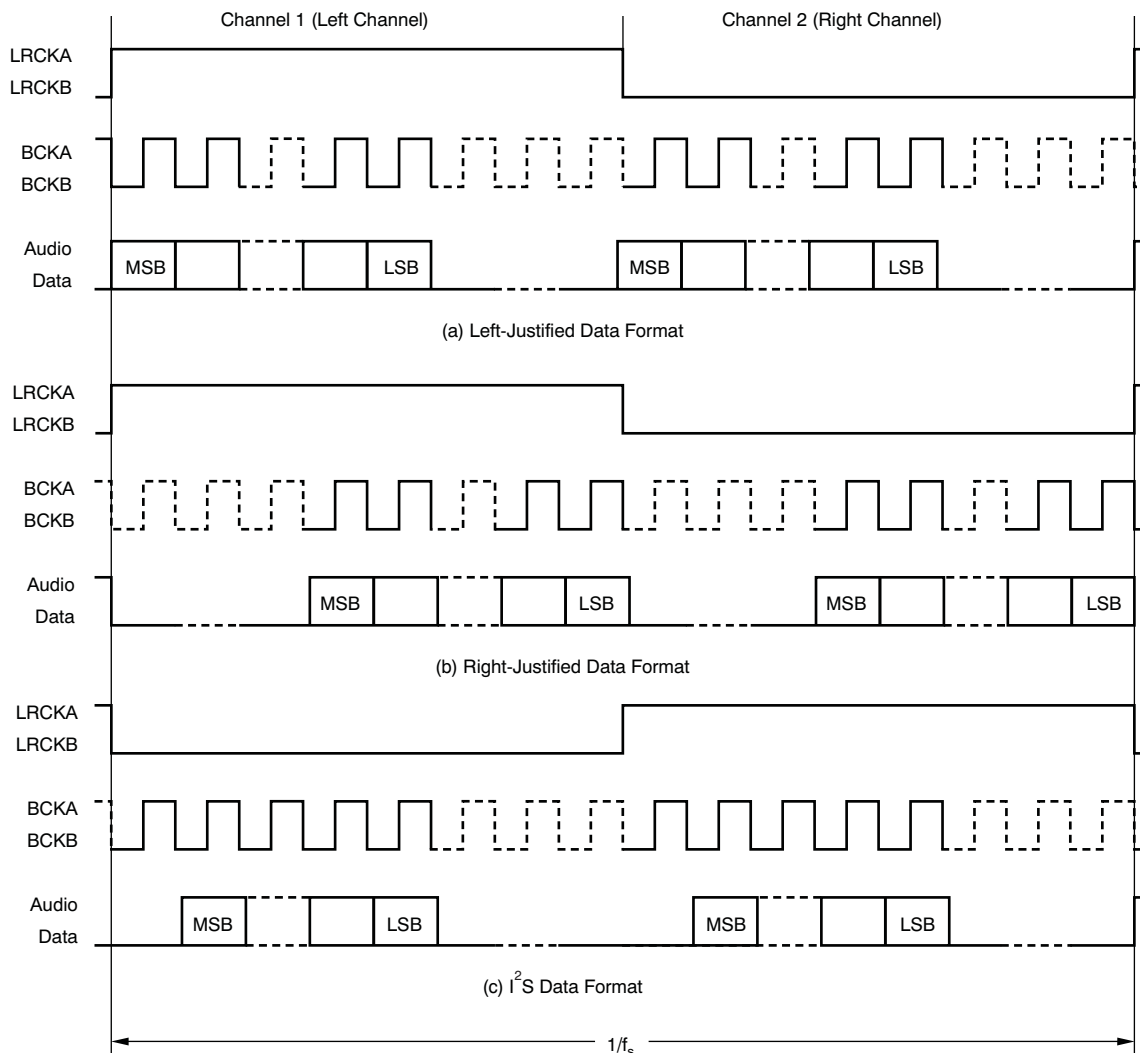


Figure 8. Audio Data Formats

9.3.4 Overview of the AES3 Digital Audio Interface Protocol

This section introduces the basics of digital audio interface protocols pertaining to the transmitter (DIT) and receiver (DIR) blocks of the DIX4192-Q1. Emphasis is placed upon defining the basic terminology and characteristics associated with the AES3-2003 standard protocol, the principles of which may also be applied to a number of consumer-interface variations, including S/PDIF, IEC-60958, and EIAJ CP-1201. It is assumed that the reader is familiar with the AES3 and S/PDIF interface formats. Additional information is available from the sources listed in the [开发支持](#) section.

The AES3-2003 standard defines a technique for two-channel linear PCM data transmission over 110-Ω shielded twisted-pair cable. The AES-3id document extends the AES3 interface to applications employing 75-Ω coaxial cable connections. In addition, consumer transmission variants, such as those defined by the S/PDIF, IEC 60958, and CP-1201 standards, use the same encoding techniques but with different physical interfaces or transmission media. Channel status data definitions also vary between professional and consumer interface implementations.

Feature Description (continued)

For AES3 transmission, data is encoded into frames, with each frame containing two subframes of audio and status data, corresponding to audio Channels 1 and 2 (or Left and Right, respectively, for stereophonic audio). [Figure 9](#) shows the AES3 frame and subframe formatting. Each subframe includes four bits for the preamble, up to 24 bits for audio and/or auxiliary data, one bit indicating data validity (V), one bit for channel status data (C), one bit for user data (U), and one bit for setting parity (P).

The 4-bit preamble is used for synchronization and identification of blocks and subframes. The X and Y preamble codes are used to identify the start of the Channel 1 and Channel 2 subframes, as shown in [Figure 9](#). However, the X preamble for the first subframe of every 192 frames is replaced by the Z preamble, which identifies the start of a new block of channel status and user data.

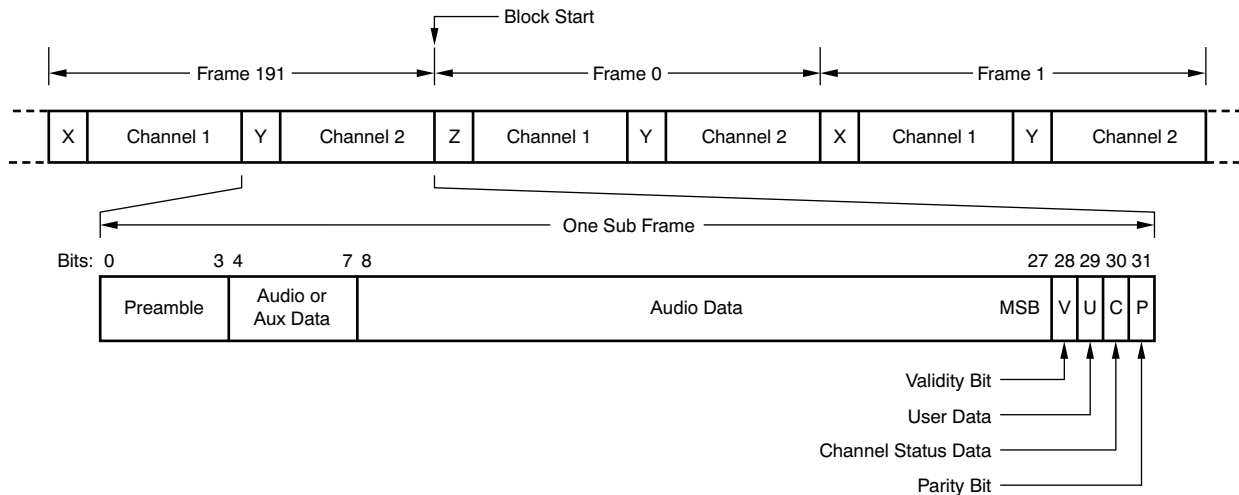


Figure 9. AES3 Frame and Subframe Encoding

One block is comprised of 192 frames of data. This format translates to 192 bits each for channel status and user data for each channel. The 192 bits are organized into 24 data bytes, which are defined by the AES3-2003 and consumer standards documents. The AES18 standard defines recommended usage and formatting of the user data bits, while consumer applications may use the user data for other purposes. The DIX4192-Q1 also includes block-sized transmitter and receiver channel status and user data buffers, which have 24 bytes each for the channel status and user data assigned to audio Channels 1 and 2. Refer to [Channel Status and User Data Buffer Maps](#) for the organization of the buffered channel status and user data for the receiver and transmitter functions.

The audio data for Channel 1 and Channel 2 may be up to 24 bits in length, and occupies bits 4 through 27 of the corresponding subframe. Bit 4 is the LSB while bit 27 is the MSB. If only 20 bits are required for audio data, then bits 8 through 27 are used for audio data, while bits 4 through 7 are used for auxiliary data bits.

The validity (V) bit indicates whether or not the audio sample word being transmitted is suitable for digital-to-analog (D/A) conversion or further digital processing at the receiver end of the connection. If the validity bit is 0, then the audio sample is suitable for conversion or additional processing. If the validity bit is 1, then the audio sample is not suitable for conversion or additional processing.

The parity (P) bit is set to either a 0 or 1, such that bits 4 through 31 carry an even number of ones and zeros for even parity. The DIT block in the DIX4192-Q1 automatically manages the parity bit, setting it to a 0 or 1 as required. The DIR block checks the parity of bits 4 through 31 and generates a parity error if odd parity is detected.

Feature Description (continued)

The binary non-return to zero (NRZ) formatted audio and status source data for bits 4 through 31 of each subframe are encoded using a Biphasic Mark format for transmission. This format allows for clock recovery at the receiver end, as well as making the interface insensitive to the polarity of the balanced cable connections. The preambles at the start of each subframe are encoded to intentionally violate the Biphasic Mark formatting, making their detection by the receiver reliable, as well as avoiding the possibility of audio and status data imitating the preambles. Figure 10 shows the Biphasic Mark and preamble encoding.

Although the AES3 standard originally defined transmission for sampling rates up to 48 kHz, the interface is capable of handling higher sampling rates, given that attention is paid to cable length and impedance matching. Equalization at the receiver may also be required, depending on the cable and matching factors. It is also possible to transmit and decode more than two channels of audio data using the AES3 or related consumer interfaces. Special encoding and compression algorithms are used to support multiple channels, including the Dolby® AC-3, DTS, MPEG-1/2, and other data reduced audio formats.

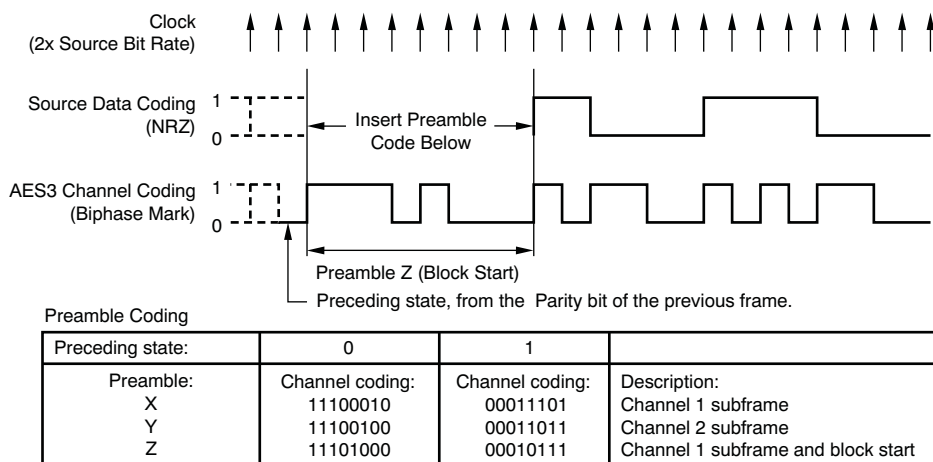


Figure 10. Biphasic Mark Encoding

9.3.5 Digital Interface Transmitter (DIT) Operation

The DIT encodes a given two-channel or data-reduced audio input stream into an AES3-encoded output stream. In addition to the encoding function, the DIT includes differential line driver and CMOS-buffered output functions. The line driver is suitable for driving balanced or unbalanced line interfaces, while the CMOS-buffered output is designed to drive external logic or line drivers, as well as optical transmitter modules. Figure 11 shows the functional block diagram for the DIT.

The input of the DIT receives the audio data for Channels 1 and 2 from one of three possible sources: Port A, Port B, or the DIR. By default Port A is selected as the source. The DIT also requires a master clock source, which may be provided by either the MCLK input (pin 25) or RXCKO (the DIR recovered master clock output). A master clock divider is used to select the frame rate for the AES3-encoded output data. The TXDIV[1:0] bits in control register 0x07 are used to select divide by 128, 256, 384, or 512 operation.

Channel status and user data for Channels 1 and 2 are input to the AES3 encoder through the corresponding Transmitter Access (TA) data buffers. The TA data buffers are in turn loaded from the User Access (UA) buffers, which are programmed through the SPI or I²C host interface, or loaded from the DIR Receiver Access (RA) data buffers. The source of the channel status and user data is selected using the TXCUS[1:0] bits in control register 0x09. When the DIR is selected as the input source, the channel status and user data output from the DIT is delayed by one block in relation to the audio data.

The validity (V) bit may be programmed using one of two sources. The VALSEL bit in control register 0x09 is used to select the validity data source for the DIT block. The default source is the VALID bit in control register 0x07, which is written through the SPI or I²C host interface. The validity bit may also be transferred from the AES3 decoder output of the DIR, where the V bit for the DIT subframes tracks the decoded DIR value frame by frame.

Feature Description (continued)

The Parity (P) bit will always be generated by the AES3 encoder internal parity generator logic, such that bits 4 through 31 of the AES3-encoded subframe are even parity.

The AES3 encoder output is connected to the output line driver and CMOS buffer source multiplexers. As shown in Figure 11, the source multiplexers allow the line driver or buffer to be driven by the AES3-encoded data from the DIT, or by the bypass multiplexer, which is associated with the outputs of the four differential input line receivers preceding the DIR core. The bypass multiplexer allows for one of the four line receiver outputs to be routed to the line driver or buffer output, thereby providing a bypass mode of operation. Both the line driver and CMOS output buffer include output disables, set by the TXOFF and AESOFF bits in control register 0x08. When the outputs are disabled, they are forced to a low logic state.

The AES3 encoder includes an output mute function that sets all bits for both the Channel 1 and 2 audio and auxiliary data to zero. The preamble, V, U, and C bits are unaffected, while the P bit is recalculated. The mute function is controlled using the TXMUTE bit in control register 0x08.

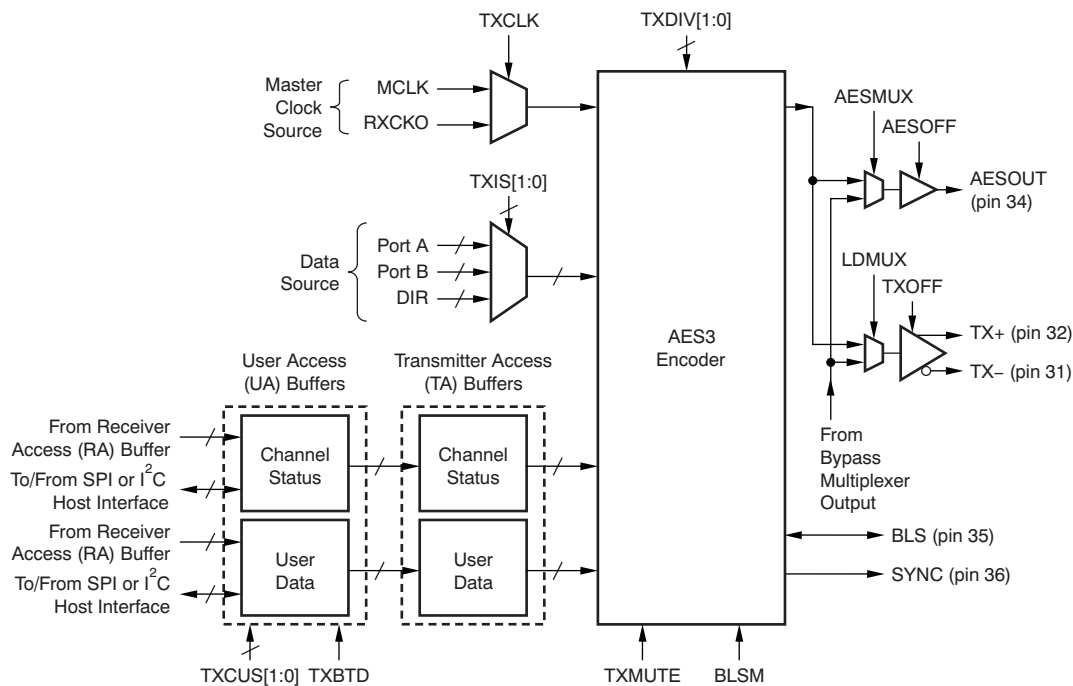


Figure 11. Digital Interface Transmitter (DIT) Functional Block Diagram

The AES3 encoder includes a block start input/output pin, BLS (pin 35). The BLS pin may be programmed as an input or output. The input/output state of the BLS pin is programmed using the BLSM bit in control register 0x07. By default, the BLS pin is configured as an input.

As an input, the BLS pin may be used to force a block start condition, whereby the start of a new block of channel status and user data is initiated by generating a Z preamble for the next frame of data. The BLS input must be synchronized with the DIT internal SYNC clock. This clock is output on SYNC (pin 36). The SYNC clock rising edge is aligned with the start of each frame for the AES3-encoded data output by the DIT. Figure 12 shows the format required for an external block start signal, as well as indicating the format when the BLS pin is configured as an output. When the BLS pin is an output, the DIT generates the block start signal based upon the internal SYNC clock.

For details regarding DIT control and status registers, as well as channel status and user data buffers, refer to [Control Registers](#) and [Channel Status and User Data Buffer Maps](#).

Feature Description (continued)

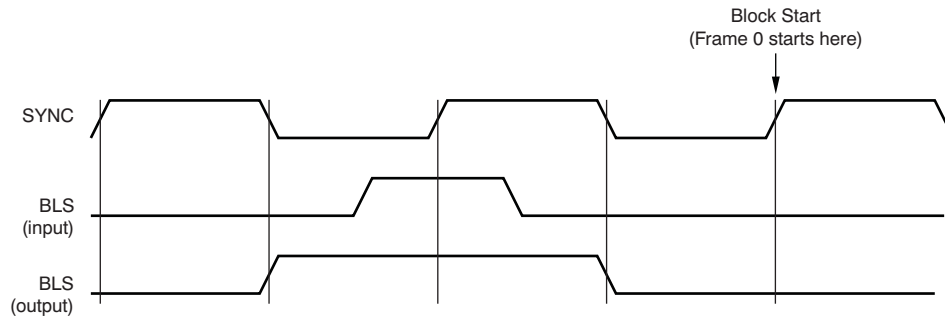


Figure 12. DIT Block Start Timing

9.3.6 Digital Interface Receiver (DIR) Operation

The DIR performs AES3 decoding and clock recovery and provides the differential line receiver functions. The lock range of the DIR includes frame and sampling rates from 20 kHz to 216 kHz. Figure 13 shows the functional block diagram for the DIR.

Four differential line receivers are used for signal conditioning the encoded input data streams. The receivers can be externally configured for either balanced or unbalanced cable interfaces, as well as interfacing with CMOS logic level inputs from optical receivers or external logic circuitry. See Figure 14 for a simplified schematic for the line receiver. External connections are discussed in Receiver Input Interfacing.

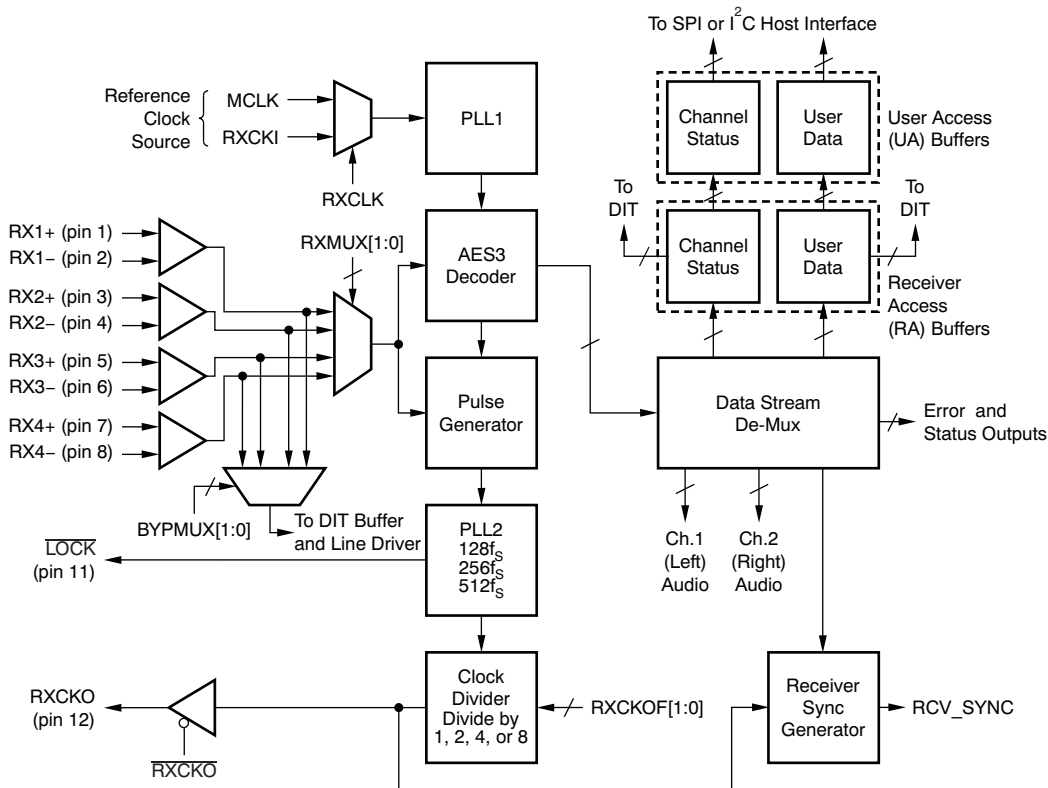
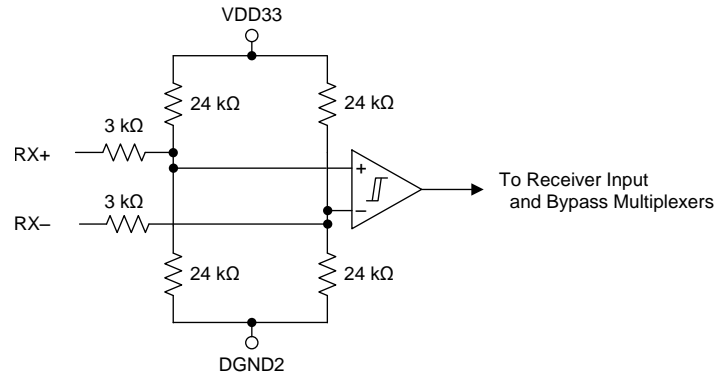


Figure 13. Digital Interface Receiver (DIR) Functional Block Diagram

Feature Description (continued)

Figure 14. Differential Line Receiver Circuit

The outputs of the four line receivers are connected to two 1-of-4 data selectors: the receiver input multiplexer and the bypass multiplexer. The input multiplexer selects one of the four line receiver outputs as the source for the AES3-encoded data stream to be processed by the DIR core. The bypass multiplexer is used to route a line receiver output to either the DIT line driver or CMOS-buffered outputs, thereby bypassing all other internal circuitry. The bypass function is useful for simple signal distribution and routing applications.

The DIR requires a reference clock, supplied by an external source applied at either the RXCKI (pin 13) or MCLK (pin 25) clock inputs. PLL1 multiplies the reference clock to a higher rate, which is used as the oversampling clock for the AES3 decoder. The decoder samples the AES3-encoded input stream in order to extract all of the audio and status data. The decoded data stream is sent on to a de-multiplexer, where audio and status data are separated for further processing and buffering. The pulse generator circuitry samples the encoded input data stream and generates a clock that is 16 times the frame/sampling rate (or f_s). The $16 f_s$ clock is then processed by PLL2, which further multiplies the clock rate and provides low-pass filtering for jitter attenuation. The available PLL2 output clock rates include $512 f_s$, $256 f_s$, and $128 f_s$. The maximum available PLL2 output clock rate for a given input sampling rate is estimated by internal logic and made available for readback through status register 0x13.

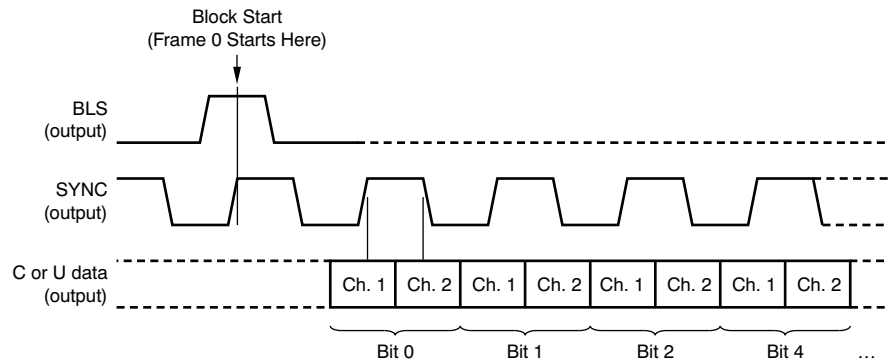
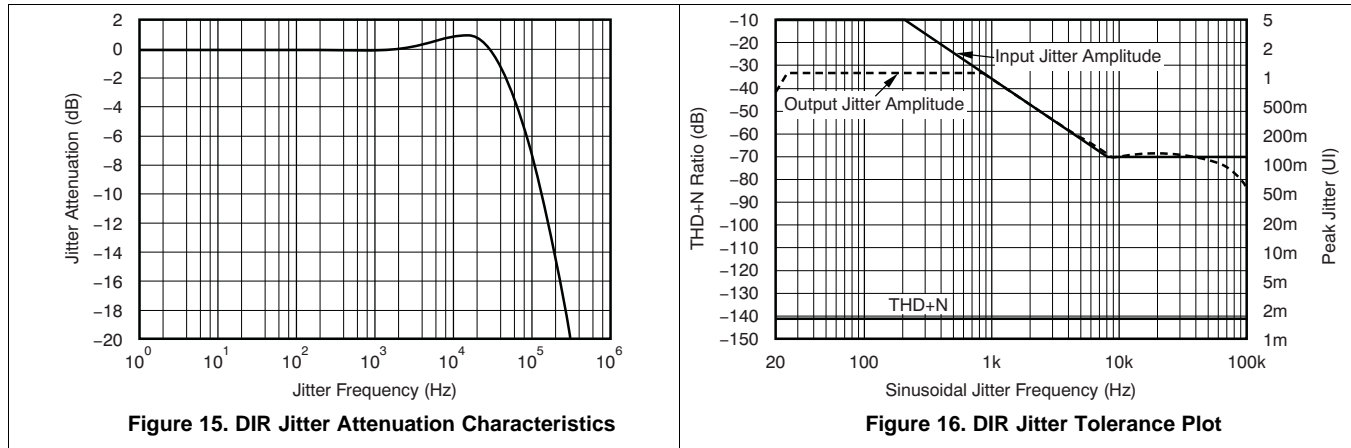
The output of PLL2 may be divided by a factor of two, four, or eight, or simply passed through to the recovered master clock output, RXCKO (pin 12). The RXCKO clock may also be routed internally to other function blocks, where it may be further divided to create left/right word and bit clocks. The RXCKO output may be disabled and forced to a high-impedance state by means of a control register bit, allowing other tri-state buffered clocks to be tied to the same external circuit node, if required. By default, the RXCKO output (pin 12) is disabled and forced to a high-impedance state.

Figure 15 shows the frequency response of PLL2. Jitter attenuation starts at approximately 50 kHz. Peaking is nominally 1 dB, which is within the 2 dB maximum allowed by the AES3 standard. The receiver jitter tolerance plot for the DIR is shown in Figure 16, along with the required AES3 jitter tolerance template. The DIR jitter tolerance satisfies the AES3 requirements, as well as the requirements set forth by the IEC60958-3 specification. Figure 16 was captured using a full-scale 24-bit, two-channel, AES3-encoded input stream with a 48kHz frame rate.

The decoded audio data, along with the internally-generated sync clocks, may be routed to other function blocks, including Port A, Port B, and the DIT. The decoded channel status and user data are buffered in the corresponding Receiver Access (RA) data buffers, then transferred to the corresponding User Access (UA) data buffers, where it may be read back through either the SPI or I²C serial host interface. The contents of the RA buffers may also be transferred to the DIT UA data buffers; this transfer is shown in Figure 11. The channel status and user data bits may also be output serially through the general-purpose output pins, GPO[4:1]. Figure 17 shows the output format for the GPO pins when used for this purpose, along with the DIR block start (BLS) and frame synchronization (SYNC) clocks. The rising edges of the DIR SYNC clock output are aligned with the start of each frame for the received AES3 data.

Feature Description (continued)

The DIR includes a dedicated, active low AES3 decoder and PLL2 lock output, named $\overline{\text{LOCK}}$ (pin 11). The lock output is active only when both the AES3 decoder and PLL2 indicate a lock condition. Additional DIR status flags may be output at the general-purpose output (GPO) pins, or accessed through the status registers through the SPI or I²C host interface. Refer to [General-Purpose Digital Outputs](#) and [Control Registers](#) for additional information regarding the DIR status functions.



Feature Description (continued)

9.3.7 General-Purpose Digital Outputs

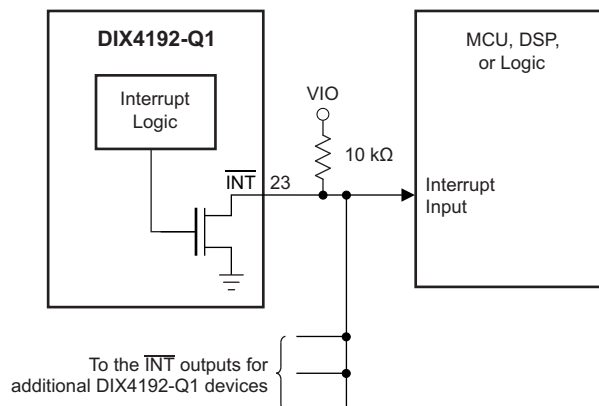
The DIX4192-Q1 includes four general-purpose digital outputs, GPO1 through GPO4 (pins 26 through 29, respectively). A GPO pin may be programmed to a static high or low state. Alternatively, a GPO pin may be connected to one of 13 internal logic nodes, allowing the GPO pin to inherit the function of the selected signal. Control registers 0x1B through 0x1E are used to select the function of the GPO pins. For details regarding GPO output configuration, refer to [Control Registers](#). [Table 1](#) summarizes the available output options for the GPO pins.

Table 1. General-Purpose Output Pin Configurations

| GPOn3 | GPOn2 | GPOn1 | GPOn0 | GPOn FUNCTION |
|-------|-------|-------|-------|--|
| 0 | 0 | 0 | 0 | GPOn is forced low (default) |
| 0 | 0 | 0 | 1 | GPOn is forced high |
| 0 | 0 | 1 | 0 | Reserved |
| 0 | 0 | 1 | 1 | DIT interrupt flag; active low |
| 0 | 1 | 0 | 0 | DIR interrupt flag; active low |
| 0 | 1 | 0 | 1 | DIR 50/15- μ s emphasis flag; active low |
| 0 | 1 | 1 | 0 | DIR non-audio data flag; active high |
| 0 | 1 | 1 | 1 | DIR non-valid data flag; active high |
| 1 | 0 | 0 | 0 | DIR channel status data serial output |
| 1 | 0 | 0 | 1 | DIR user data serial output |
| 1 | 0 | 1 | 0 | DIR block start clock output |
| 1 | 0 | 1 | 1 | DIR COPY bit output (0 = copyright asserted, 1 = copyright not asserted) |
| 1 | 1 | 0 | 0 | DIR L (or origination) bit output (0 = 1st generation or higher, 1 = original) |
| 1 | 1 | 0 | 1 | DIR Parity error flag; active high |
| 1 | 1 | 1 | 0 | DIR internal sync clock output; may be used as the data clock for the channel status and user data serial outputs. |
| 1 | 1 | 1 | 1 | DIT internal sync clock |

9.3.8 Interrupt Output

The DIX4192-Q1 includes multiple internal status bits, many of which may be set to trigger an interrupt signal. The interrupt signal is output at $\overline{\text{INT}}$ (pin 23), which is an active low, open-drain output. The $\overline{\text{INT}}$ pin requires a pullup resistor to the VIO supply rail. The value of the pullup is not critical, but a 10-k Ω device must be sufficient for most applications. [Figure 18](#) shows the interrupt output pin connection. The open-drain output allows interrupt pins from multiple DIX4192-Q1 devices to be connected in a wired OR configuration.



Copyright © 2017, Texas Instruments Incorporated

Figure 18. Interrupt Output Pin Connections

9.4 Device Functional Modes

9.4.1 Host Interface Operation: Serial Peripheral Interface (SPI) Mode

The DIX4192-Q1 supports a 4-wire SPI port when the CPM input (pin 18) is forced low or tied to ground. The SPI port supports high-speed serial data transfers up to 40 Mbps. Register and data buffer write and read operations are supported.

The \overline{CS} input (pin 19) serves as the active low chip select for the SPI port. The \overline{CS} input must be forced low in order to write or read registers and data buffers. When \overline{CS} is forced high, the data at the CDIN input (pin 21) is ignored, and the CDOUT output (pin 22) is forced to a high-impedance state. The CDIN input serves as the serial data input for the port; the CDOUT output serves as the serial data output.

The CCLK input (pin 20) serves as the serial data clock for both the input and output data. Data is latched at the CDIN input on the rising edge of CCLK, while data is clocked out of the CDOUT output on the falling edge of CCLK.

Figure 19 shows the SPI port protocol. Byte 0 is referred to as the command byte, where the most significant bit (or MSB) is the read/write bit. For the R/W bit, a 0 indicates a write operation, while a 1 indicates a read operation. The remaining seven bits of the command byte are used for the register address targeted by the write or read operation. Byte 1 is a *don't care* byte, and may be set to all zeroes. This byte is included in order to retain protocol compatibility with earlier Texas Instruments digital audio interface and sample rate converter products, including the DIT4096, DIT4192, the SRC418x series devices, and the SRC419x series devices.

The SPI port supports write and read operations for multiple sequential register addresses through the implementation of an auto-increment mode. As shown in Figure 19, the auto-increment mode is invoked by simply holding the \overline{CS} input low for multiple data bytes. The register address is automatically incremented after each data byte transferred, starting with the address specified by the command byte.

Refer to the SPI section of the *Electrical Characteristics* table and Figure 2 for specifications and a timing diagram that highlight the key parameters for SPI operation.

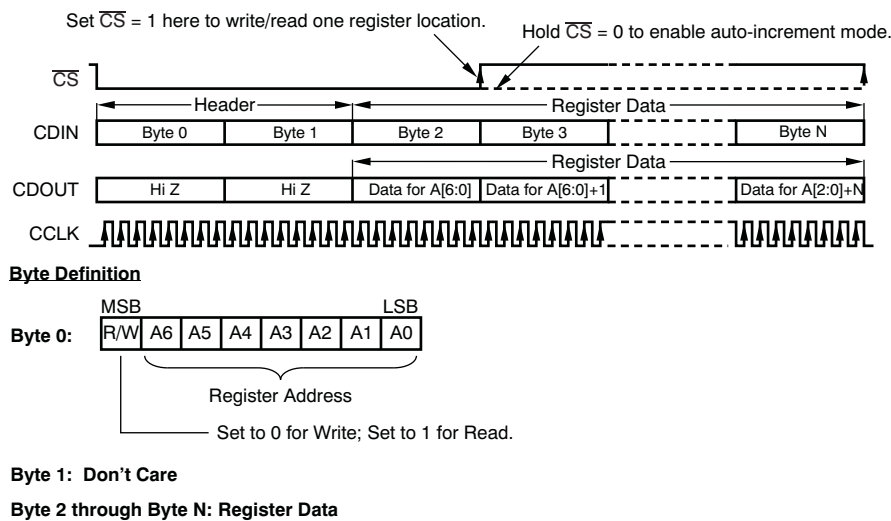


Figure 19. Serial Peripheral Interface (SPI) Protocol for the DIX4192-Q1

Device Functional Modes (continued)

9.4.2 Host Interface Operation: PHILIPS I²C Mode

The DIX4192-Q1 supports a 2-wire Philips I²C bus interface when CPM (pin 18) is forced high or pulled up to the VIO supply rail. The DIX4192-Q1 functions as a Slave-only device on the bus. Standard and Fast modes of operation are supported. Standard mode supports data rates up to 100 kbps, while Fast mode supports data rates up to 400 kbps. Fast mode is downward compatible with Standard mode, and these modes are sometimes referred to as Fast/Standard, or F/S mode. The I²C Bus Specification (Version 2.1, January 2000), available from Philips Semiconductor, provides the details for the bus protocol and implementation. It is assumed that the reader is familiar with this specification. Refer to the I²C Standard and Fast Modes section of the [Electrical Characteristics](#) table and [Figure 3](#) for specifications and a timing diagram that highlight the key parameters for I²C interface operation.

When the I²C mode is invoked, pin 20 becomes SCL (which serves as the bus clock) and pin 22 becomes SDA (which carries the bi-directional serial data for the bus). Pins 19 and 21 become A0 and A1, respectively, and function as the hardware configurable portion of the 7-bit slave address.

The DIX4192-Q1 uses a 7-bit Slave address; see [Figure 20\(a\)](#). Bits A2 through A6 are fixed and bits A0 and A1 are hardware programmable using pins 19 and 21, respectively. The programmable bits allow for up to four DIX4192-Q1 devices to be connected to the same bus. The slave address is followed by the Register Address Byte, which points to a specific register or data buffer location in the DIX4192-Q1 register map. The register address byte is comprised of seven bits for the address, and one bit for enabling or disabling auto-increment operation; see [Figure 20\(b\)](#). Auto-increment mode allows multiple sequential register locations to be written to or read back in a single operation, and is especially useful for block write and read operations.

[Figure 21](#) shows the protocol for Standard and Fast mode Write operations. When writing a single register address, or multiple non-sequential register addresses, the single register write operation of [Figure 21\(a\)](#) may be used one or more times. When writing multiple sequential register addresses, the auto-increment mode of [Figure 21\(b\)](#) improves efficiency. The register address is automatically incremented by one for each successive byte of data transferred.

[Figure 22](#) shows the protocol for Standard and Fast mode Read operations. The current address read operation of [Figure 22\(a\)](#) assumes the value of the register address from the previously executed write or read operation, and is useful for polling a register address for status changes. [Figure 22\(b\)](#) and [Figure 22\(c\)](#) show read operations for one or more random register addresses, with or without auto-increment mode enabled.

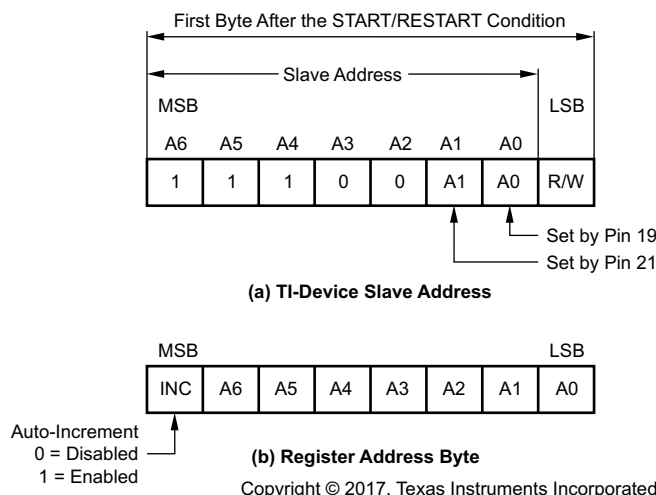


Figure 20. DIX4192-Q1 Slave Address and Register Address Byte Definitions

Device Functional Modes (continued)

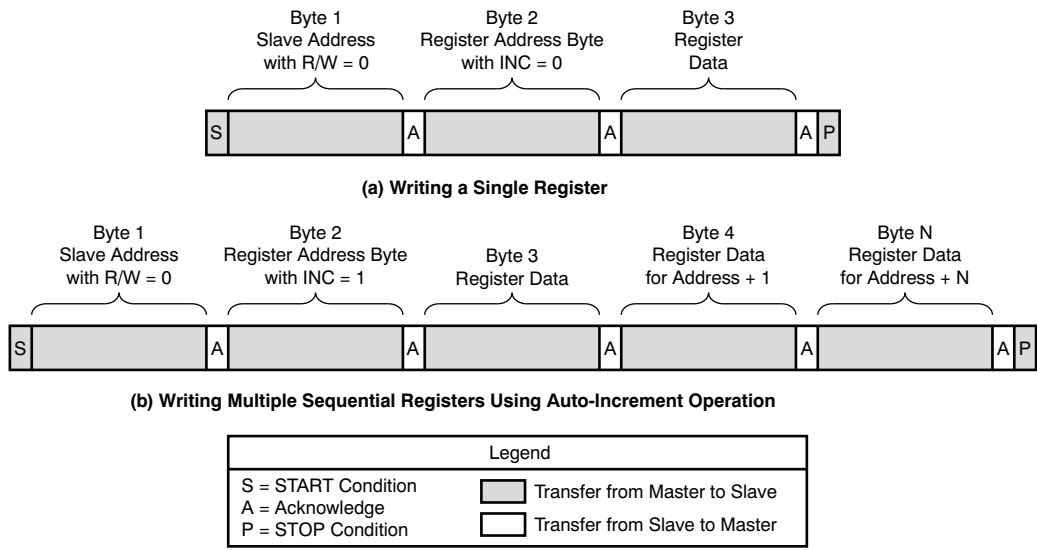


Figure 21. Fast and Standard Mode Write Operations

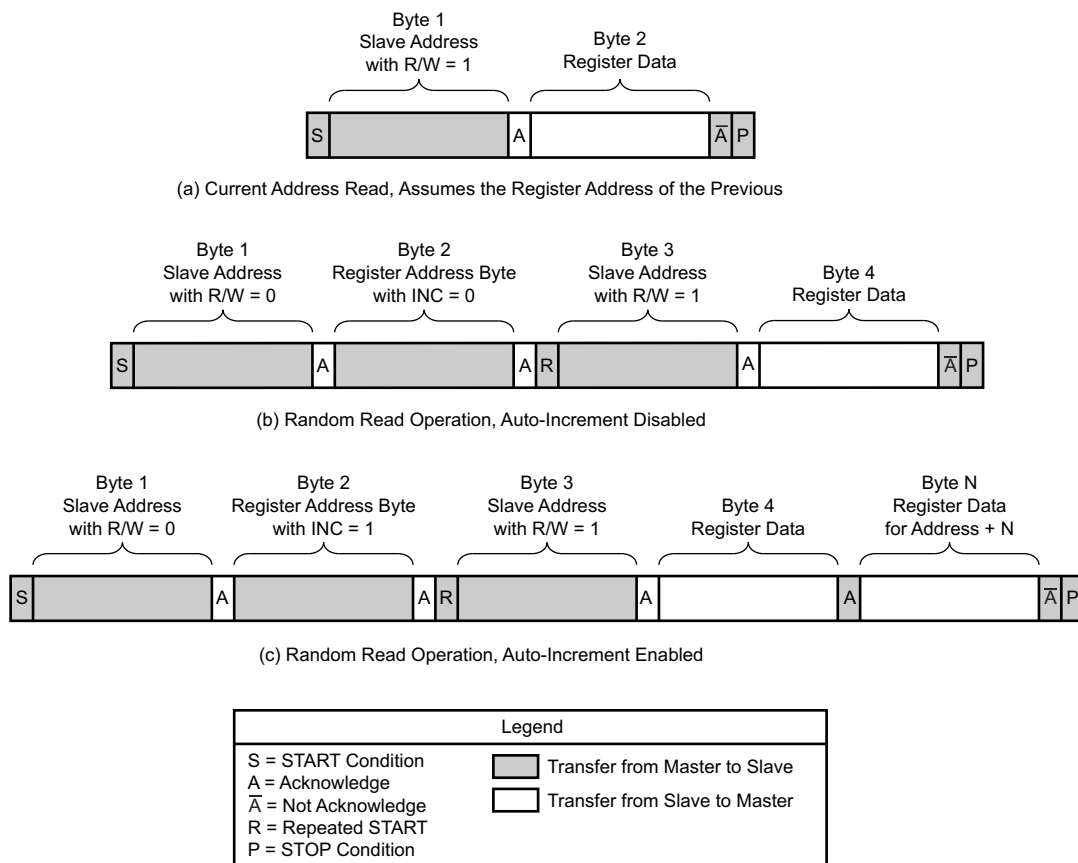


Figure 22. Fast and Standard Mode Read Operations

9.5 Register Maps

9.5.1 Register and Data Buffer Organization

The DIX4192-Q1 organizes the on-chip registers and data buffers into four pages. The currently active page is chosen by programming the Page Selection Register to the desired page number. The Page Selection Register is available on every register page at address 0x7F, allowing easy movement between pages. [Table 2](#) indicates the page selection corresponding to the Page Selection Register value.

Table 2. Register Page Selection

| Page Selection Register Value (Hex) | Selected Register Page |
|-------------------------------------|--|
| 00 | Page 0, control and status registers |
| 01 | Page 1, DIR channel status and user data buffers |
| 02 | Page 2, DIT channel status and user data buffers |
| 03 | Page 3, reserved |

Register Page 0 contains the control registers used to configure the various function blocks within the DIX4192-Q1. In addition, status registers are provided for flag and error conditions, with many of the status bits capable of generating an interrupt signal when enabled. See [Table 3](#) for the control and status register map.

Register Page 1 contains the digital interface receiver (or DIR) channel status and user data buffers. These buffers correspond to the data contained in the C and U bits of the previously received block of the AES3-encoded data stream. The contents of these buffers may be read through the SPI or I²C serial host interface and processed as required by the host system. See [Table 35](#) for the DIR channel status buffer map, and [Table 36](#) for the DIR user data buffer map.

Register Page 2 contains the digital interface transmitter (or DIT) channel status and user data buffers. These buffers correspond to the data contained in the C and U bits of the transmitted AES3-encoded data stream. The contents of these buffers may be written through the SPI or I²C serial host interface to configure the C and U bits of the transmitted AES3 data stream. The buffers may also be read for verification by the host system. See [Table 37](#) for the DIT channel status buffer map, and [Table 38](#) for the DIT user data buffer map.

Register Page 3 is reserved for factory test and verification purposes, and cannot be accessed without an unlock code. The unlock code remains private; the test modes disable normal operation of the device, and are not useful in customer applications.

9.5.2 Control Registers

See [Table 3](#) for the control and status register map of the DIX4192-Q1. Register addresses 0x00 and 0x2D through 0x7E are reserved for factory or future use. All register addresses are expressed as hexadecimal numbers. The following pages provide detailed descriptions for each control and status register.

Table 3. Control and Status Register Map (Register Page 0)

| ADDRESS (Hex) | D7 (MSB) | D6 | D5 | D4 | D3 | D2 | D1 | D0 | REGISTER GROUP |
|---------------|----------|---------|----------|----------|---------|---------|-----------|----------|------------------------------|
| 01 | RESET | 0 | PDALL | PDPA | PDPB | PDTX | PDRX | 0 | Power-down and reset |
| 02 | 0 | 0 | 0 | 0 | 0 | TX | RX | 0 | Global interrupt status |
| 03 | 0 | AMUTE | AOUTS1 | AOUTS0 | AM/S | AFMT2 | AFMT1 | AFMT0 | Port A control |
| 04 | 0 | 0 | 0 | 0 | ACLK1 | ACLK0 | ADIV1 | ADIV0 | Port A control |
| 05 | 0 | BMUTE | BOUTS1 | BOUTS0 | BM/S | BFMT2 | BFMT1 | BFMT0 | Port B control |
| 06 | 0 | 0 | 0 | 0 | BCLK1 | BCLK0 | BDIV1 | BDIV0 | Port B control |
| 07 | TXCLK | TXDIV1 | TXDIV0 | TXIS1 | TXIS0 | BLSM | VALID | BSSL | Transmitter control |
| 08 | BYPMUX1 | BYPMUX0 | AESMUX | LDMUX | TXBTD | AESOFF | TXMUTE | TXOFF | Transmitter control |
| 09 | 0 | 0 | 0 | 0 | 0 | VALSEL | TXCUS1 | TXCUS0 | Transmitter control |
| 0A | 0 | 0 | 0 | 0 | 0 | 0 | TSLIP | TBTI | DIT status |
| 0B | 0 | 0 | 0 | 0 | 0 | 0 | MTSLIP | MTBTI | DIT interrupt mask |
| 0C | 0 | 0 | 0 | 0 | TSLIPM1 | TSLIPM0 | TBTIM1 | TBTIM0 | DIT interrupt mode |
| 0D | 0 | 0 | 0 | RXBTD | RXCLK | 0 | RXMUX1 | RXMUX | Receiver control |
| 0E | 0 | 0 | 0 | LOL | RXAMLL | RXCKOD1 | RXCKOD0 | RXCKOE | Receiver control |
| 0F | P3 | P2 | P1 | P0 | J5 | J4 | J3 | J2 | Receiver PLL configuration |
| 10 | J1 | J0 | D13 | D12 | D11 | D10 | D9 | D8 | Receiver PLL configuration |
| 11 | D7 | D6 | D5 | D4 | D3 | D2 | D1 | D0 | Receiver PLL configuration |
| 12 | 0 | 0 | 0 | 0 | 0 | 0 | DTS CD/LD | IEC61937 | Non-PCM audio detection |
| 13 | 0 | 0 | 0 | 0 | 0 | 0 | RXCKR1 | RXCKR0 | Receiver status |
| 14 | CSCRC | PARITY | VBIT | BPERR | QCHG | UNLOCK | QCRC | RBTI | Receiver status |
| 15 | 0 | 0 | 0 | 0 | 0 | 0 | 0 | OSLIP | Receiver status |
| 16 | MCSCRC | MPARITY | MVBIT | MBPERR | MQCHG | MUNLOCK | MQCRC | MRBTI | Receiver interrupt mask |
| 17 | 0 | 0 | 0 | 0 | 0 | 0 | 0 | MOSLIP | Receiver interrupt mask |
| 18 | QCHGM1 | QCHGM0 | UNLOCKM1 | UNLOCKM0 | QCRCM1 | QCRCM0 | RBTIM1 | RBTIM0 | Receiver interrupt mode |
| 19 | CSCRCM1 | CSCRCM0 | PARITYM1 | PARITYM0 | VBITM1 | VBITM0 | BPERRM1 | BPERRM0 | Receiver interrupt mode |
| 1A | 0 | 0 | 0 | 0 | 0 | 0 | OSLIPM1 | OSLIPM0 | Receiver interrupt mode |
| 1B | 0 | 0 | 0 | 0 | GPO13 | GPO12 | GPO11 | GPO10 | General-purpose out (GPO1) |
| 1C | 0 | 0 | 0 | 0 | GPO23 | GPO22 | GPO21 | GPO20 | General-purpose out (GPO2) |
| 1D | 0 | 0 | 0 | 0 | GPO33 | GPO32 | GPO31 | GPO30 | General-purpose out (GPO3) |
| 1E | 0 | 0 | 0 | 0 | GPO43 | GPO42 | GPO41 | GPO40 | General-purpose out (GPO4) |
| 1F | Q0 | Q1 | Q2 | Q3 | Q4 | Q5 | Q6 | Q7 | Audio CD Q-channel sub-code |
| 20 | Q8 | Q9 | Q10 | Q11 | Q12 | Q13 | Q14 | Q15 | Audio CD Q-channel sub-code |
| 21 | Q16 | Q17 | Q18 | Q19 | Q20 | Q21 | Q22 | Q23 | Audio CD Q-channel sub-code |
| 22 | Q24 | Q25 | Q26 | Q27 | Q28 | Q29 | Q30 | Q31 | Audio CD Q-channel sub-code |
| 23 | Q32 | Q33 | Q34 | Q35 | Q36 | Q37 | Q38 | Q39 | Audio CD Q-channel sub-code |
| 24 | Q40 | Q41 | Q42 | Q43 | Q44 | Q45 | Q46 | Q47 | Audio CD Q-channel sub-code |
| 25 | Q48 | Q49 | Q50 | Q51 | Q52 | Q53 | Q54 | Q55 | Audio CD Q-channel sub-code |
| 26 | Q56 | Q57 | Q58 | Q59 | Q60 | Q61 | Q62 | Q63 | Audio CD Q-channel sub-code |
| 27 | Q64 | Q65 | Q66 | Q67 | Q68 | Q69 | Q70 | Q71 | Audio CD Q-channel sub-code |
| 28 | Q72 | Q73 | Q74 | Q75 | Q76 | Q77 | Q78 | Q79 | Audio CD Q-channel sub-code |
| 29 | PC15 | PC14 | PC13 | PC12 | PC11 | PC10 | PC09 | PC08 | PC burst preamble, high byte |
| 2A | PC07 | PC06 | PC05 | PC04 | PC03 | PC02 | PC01 | PC00 | PC burst preamble, low byte |
| 2B | PD15 | PD14 | PD13 | PD12 | PD11 | PD10 | PD09 | PD08 | PD burst preamble, high byte |
| 2C | PD07 | PD06 | PD05 | PD04 | PD03 | PD02 | PD01 | PD00 | PD burst preamble, low byte |
| 7F | 0 | 0 | 0 | 0 | 0 | 0 | PAGE1 | PAGE0 | Page selection |

Figure 23. Register 01: Power-Down and Reset

| 7 (MSB) | 6 | 5 | 4 | 3 | 2 | 1 | 0 (LSB) |
|---------|---|---------------------------|--------------------------|--------------------------|--------------------------|--------------------------|---------|
| RESET | 0 | $\overline{\text{PDALL}}$ | $\overline{\text{PDPA}}$ | $\overline{\text{PDPB}}$ | $\overline{\text{PDTX}}$ | $\overline{\text{PDRX}}$ | 0 |

Table 4. Register 01: Power-Down and Reset Field Descriptions

| | | |
|---------------------------|---|-------------------------------------|
| $\overline{\text{PDRX}}$ | Power-Down for the Receiver Function Block | |
| | This bit is used to power-down the DIR and associated functions. All receiver outputs are forced low. | |
| | $\overline{\text{PDRX}}$ | Receiver Power-Down Mode |
| | 0 | Enabled (default) |
| 1 | Disabled; the Receiver function block will operate normally based upon the applicable control register settings. | |
| $\overline{\text{PDTX}}$ | Power-Down for the Transmitter Function Block | |
| | This bit is used to power-down the DIT and associated functions. All transmitter outputs are forced low. | |
| | $\overline{\text{PDTX}}$ | Transmitter Power-Down Mode |
| | 0 | Enabled (default) |
| 1 | Disabled; the Transmitter function block will operate normally based upon the applicable control register settings. | |
| $\overline{\text{PDPB}}$ | Power-Down for Serial Port B | |
| | This bit is used to power-down the audio serial I/O Port B. All port outputs are forced low. | |
| | $\overline{\text{PDPB}}$ | Port B Power-Down Mode |
| | 0 | Enabled (default) |
| 1 | Disabled; Port B will operate normally based upon the applicable control register settings. | |
| $\overline{\text{PDPA}}$ | Power-Down for Serial Port A | |
| | This bit is used to power-down the audio serial I/O Port A. All port outputs are forced low. | |
| | $\overline{\text{PDPA}}$ | Port A Power-Down Mode |
| | 0 | Enabled (default) |
| 1 | Disabled; Port A will operate normally based upon the applicable control register settings. | |
| $\overline{\text{PDALL}}$ | Power-Down for All Functions | |
| | This bit is used to power-down all function blocks except the host interface port and the control and status registers. | |
| | $\overline{\text{PDALL}}$ | All Function Power-Down Mode |
| | 0 | Enabled (default) |
| 1 | Disabled; all function blocks will operate normally based upon the applicable control register settings. | |
| RESET | Software Reset | |
| | This bit is used to force a reset initialization sequence, and is equivalent to forcing an external reset through the $\overline{\text{RST}}$ input (pin 24). | |
| | RESET | Reset Function |
| | 0 | Disabled (default) |
| 1 | Enabled; all control registers will be reset to the default state. | |

Figure 24. Register 02: Global Interrupt Status (Read-Only)

| 7 (MSB) | 6 | 5 | 4 | 3 | 2 | 1 | 0 (LSB) |
|---------|---|---|---|---|----|----|---------|
| 0 | 0 | 0 | 0 | 0 | TX | RX | 0 |

Table 5. Register 02: Global Interrupt Status (Read-Only) Field Descriptions

| | |
|----|--|
| RX | Receiver Function Block Interrupt Status (Active High) When set to 1, this bit indicates an active interrupt from the DIR function block. This bit is active high. The user must then read status registers 0x14 and 0x15 in order to determine which of the sources has generated an interrupt. |
| TX | Transmitter Function Block Interrupt Status (Active High) When set to 1, this bit indicates an active interrupt from the DIT function block. This bit is active high. The user must then read status register 0x0A in order to determine which of the sources has generated an interrupt. |

Figure 25. Register 03: Port A Control Register 1

| 7 (MSB) | 6 | 5 | 4 | 3 | 2 | 1 | 0 (LSB) |
|---------|-------|--------|--------|------|-------|-------|---------|
| 0 | AMUTE | AOUTS1 | AOUTS0 | AM/S | AFMT2 | AFMT1 | AFMT0 |

Table 6. Register 03: Port A Control Register 1 Field Descriptions

| | | | |
|------------|---|---|---|
| AFMT[2:0] | Port A Audio Data Format | | |
| | These bits are used to set the audio input and output data format for Port A. Refer to Audio Serial Port Operation for illustrations of the supported data formats. Refer to the Audio Serial Ports section of the Electrical Characteristics table and Figure 1 for an applicable timing diagram and parameters. | | |
| | AFMT2 | AFMT1 | AFMT0 |
| | 0 | 0 | 0 |
| | 0 | 0 | 1 |
| | 0 | 1 | 0 |
| | 0 | 1 | 1 |
| | 1 | 0 | 0 |
| | 1 | 0 | 1 |
| 1 | 1 | 0 | |
| 1 | 1 | 1 | |
| AM/S | Port A Slave and Master Mode | | |
| | This bit is used to set the audio clock mode for Port A to either Slave or Master. | | |
| | AM/S | Slave/Master Mode | |
| | 0 | Slave mode; the LRCK and BCK clocks are inputs generated by an external digital audio source. (default) | |
| 1 | Master mode; the LRCK and BCK clocks are outputs, derived from the Port A master clock source. | | |
| AOUTS[1:0] | Port A Output Data Source | | |
| | These bits are used to select the output data source for Port A. The data is output at SDOUTA (pin 40). | | |
| | AOUTS1 | AOUTS0 | Output Data Source |
| | 0 | 0 | Port A input, for data loop back. (default) |
| | 0 | 1 | Port B input |
| 1 | 0 | DIR | |
| 1 | 1 | Reserved | |
| AMUTE | Port A Output Mute | | |
| | This bit is used to mute the Port A audio data output. | | |
| | AMUTE | Output Mute | |
| | 0 | Disabled; SDOUTA is driven by the output data source. (default) | |
| 1 | Enabled; SDOUTA is forced low. | | |

Figure 26. Register 04: Port A Control Register 2

| 7 (MSB) | 6 | 5 | 4 | 3 | 2 | 1 | 0 (LSB) |
|---------|---|---|---|-------|-------|-------|---------|
| 0 | 0 | 0 | 0 | ACLK1 | ACLK0 | ADIV1 | ADIV0 |

Table 7. Register 04: Port A Control Register 2 Field Descriptions

| | | | |
|-----------|--|---------------|----------------------------------|
| ADIV[1:0] | Port A Master Clock Divider | | |
| | These bits are used to set the master clock divider for generating the LRCKA clock for Port A when configured for Master mode operation. BCKA is always set to 64 times the LRCKA clock rate in Master mode. | | |
| | ADIV1 | ADIV0 | Master Mode Clock Divider |
| | 0 | 0 | Divide-by-128 (default) |
| | 0 | 1 | Divide-by-256 |
| 1 | 0 | Divide-by-384 | |
| 1 | 1 | Divide-by-512 | |
| ACLK[1:0] | Port A Master Clock Source | | |
| | These bits are used to set the master clock source for Port A when configured for Master mode operation. | | |
| | ACLK1 | ACLK0 | Master Clock Source |
| | 0 | 0 | MCLK (default) |
| 0 | 1 | RXCKI | |

Table 7. Register 04: Port A Control Register 2 Field Descriptions (continued)

| | | | |
|--|---|---|----------|
| | 1 | 0 | RXCKO |
| | 1 | 1 | Reserved |

Figure 27. Register 05: Port B Control Register 1

| | | | | | | | |
|---------|-------|--------|--------|------|-------|-------|---------|
| 7 (MSB) | 6 | 5 | 4 | 3 | 2 | 1 | 0 (LSB) |
| 0 | BMUTE | BOUTS1 | BOUTS0 | BM/S | BFMT2 | BFMT1 | BFMT0 |

Table 8. Register 05: Port B Control Register 1 Field Descriptions

| | | | |
|------------|---|---|---|
| BFMT[2:0] | Port B Audio Data Format | | |
| | These bits are used to set the audio input and output data format for Port B. Refer to Audio Serial Port Operation for illustrations of the supported data formats. Refer to the Audio Serial Ports section of the Electrical Characteristics table and Figure 1 for an applicable timing diagram and parameters. | | |
| | BFMT2 | BFMT1 | BFMT0 |
| | 0 | 0 | 0 |
| | 0 | 0 | 1 |
| | 0 | 1 | 0 |
| | 0 | 1 | 1 |
| | 1 | 0 | 0 |
| | 1 | 0 | 1 |
| 1 | 1 | 0 | |
| 1 | 1 | 1 | |
| BM/S | Port B Slave and Master Mode | | |
| | This bit is used to set the audio clock mode for Port B to either Slave or Master. | | |
| | BM/S | Slave and Master Mode | |
| 0 | Slave mode; the LRCK and BCK clocks are generated by an external source. (default) | | |
| 1 | Master mode; the LRCK and BCK clocks are derived from the Port A master clock source. | | |
| BOUTS[1:0] | Port B Output Source | | |
| | These bits are used to select the output data source for Port B. The data is output at SDOUTB (pin 45). | | |
| | BOUTS1 | BOUTS0 | Output Data Source |
| | 0 | 0 | Port B input, for data loop back. (default) |
| | 0 | 1 | Port A input |
| 1 | 0 | DIR | |
| 1 | 1 | Reserved | |
| BMUTE | Port B Output Mute | | |
| | This bit is used to mute the Port B audio data output. | | |
| | BMUTE | Output Mute | |
| | 0 | Disabled; SDOUTB is driven by the output data source. (default) | |
| 1 | Enabled; SDOUTB is forced low. | | |

Figure 28. Register 06: Port B Control Register 2

| 7 (MSB) | 6 | 5 | 4 | 3 | 2 | 1 | 0 (LSB) |
|---------|---|---|---|-------|-------|-------|---------|
| 0 | 0 | 0 | 0 | BCLK1 | BCLK0 | BDIV1 | BDIV0 |

Table 9. Register 06: Port B Control Register 2 Field Descriptions

| | | | |
|-----------|--|--------------|----------------------------------|
| BDIV[1:0] | Port B Master Mode Clock Divider | | |
| | These bits are used to set the master clock divider for generating the LRCKB clock for Port B when configured for Master mode operation. BCKB is always set to 64 times the LRCKB clock rate in Master mode. | | |
| | BDIV1 | BDIV0 | Master Mode Clock Divider |
| | 0 | 0 | Divide-by-128 (default) |
| | 0 | 1 | Divide-by-256 |
| BCLK[1:0] | Port B Master Clock Source | | |
| | These bits are used to set the master clock source for Port B when configured for Master mode operation. | | |
| | BCLK1 | BCLK0 | Master Clock Source |
| | 0 | 0 | MCLK (default) |
| | 0 | 1 | RXCKI |
| | 1 | 0 | RXCKO |
| | 1 | 1 | Reserved |

Figure 29. Register 07: Transmitter Control Register 1

| 7 (MSB) | 6 | 5 | 4 | 3 | 2 | 1 | 0 (LSB) |
|---------|--------|--------|-------|-------|------|-------|---------|
| TXCLK | TXDIV1 | TXDIV0 | TXIS1 | TXIS0 | BLSM | VALID | BSSL |

Table 10. Register 07: Transmitter Control Register 1 Field Descriptions

| | | | |
|-----------|---|--|---------------------------|
| BSSL | Block Start or Asynchronous Data Slip Interrupt Trigger Selection | | |
| | This bit is used to select the trigger source for the Transmitter TSLIP status and interrupt bit. | | |
| | BSSL | TSLIP Interrupt Trigger Source | |
| VALID | Validity (V) Data Bit | | |
| | This bit may be used to set the validity (or V) data bit in the AES3-encoded output. Refer to the VALSEL bit in control register 0x09 for V-bit source selection. | | |
| | VALID | Transmitted Validity (V) Bit Data | |
| BLSM | Transmitter Block Start Input and Output Mode | | |
| | This bit is used to select the input and output mode for the DIT block start pin, BLS (pin 35). | | |
| | BLSM | BLS Pin Mode | |
| TXIS[1:0] | Transmitter Input Data Source | | |
| | These bits are used to select the audio data source for the DIT function block. | | |
| | TXIS1 | TXIS0 | Output Word Length |
| | 0 | 0 | Port A (default) |
| | 0 | 1 | Port B |
| 1 | 0 | DIR | |
| 1 | 1 | Reserved | |

Table 10. Register 07: Transmitter Control Register 1 Field Descriptions (continued)

| | | | |
|------------|---|--|---|
| TXDIV[1:0] | Transmitter Master Clock Divider | | |
| | These bits are used to select the Transmitter master clock divider, which determines the output frame rate. | | |
| | TXDIV1 | TXDIV0 | Clock Divider |
| | 0 | 0 | Divide the master clock by 128. (default) |
| | 0 | 1 | Divide the master clock by 256. |
| TXCLK | Transmitter Master Clock Source | | |
| | This bit is used to select the master clock source for the Transmitter block. | | |
| | TXCLK | Transmitter Master Clock Source | |
| | 0 | MCLK input (default) | |
| | 1 | RXCKO; the recovered master clock from the DIR function block. | |

Figure 30. Register 08: Transmitter Control Register 2

| | | | | | | | |
|---------|---------|--------|-------|-------|--------|--------|---------|
| 7 (MSB) | 6 | 5 | 4 | 3 | 2 | 1 | 0 (LSB) |
| BYPMUX1 | BYPMUX0 | AESMUX | LDMUX | TXBTD | AESOFF | TXMUTE | TXOFF |

Table 11. Register 08: Transmitter Control Register 2 Field Descriptions

| | | |
|---|---|---|
| TXOFF | Transmitter Line Driver Output Enable | |
| | This bit is used to enable or disable the TX+ (pin 32) and TX– (pin 31) line driver outputs. | |
| | TXOFF | Transmitter Line Driver |
| | 0 | Enabled; the line driver outputs function normally. (default) |
| | 1 | Disabled; the line driver outputs are forced low. |
| TXMUTE | Transmitter Audio Data Mute | |
| | This bit is used to set the 24 bits of audio and auxiliary data to all zeros for both Channels 1 and 2. | |
| | TXMUTE | Transmitter Audio Data Mute |
| | 0 | Disabled (default) |
| | 1 | Enabled; the audio data for both channels 1 and 2 are set to all zeros. |
| AESOFF | AESOUT Output Enable | |
| | This bit is used to enable or disable the AESOUT (pin 34) buffered AES3-encoded CMOS logic level output. | |
| | AESOFF | AESOUT Output |
| | 0 | Enabled; the AESOUT pin functions normally. (default) |
| | 1 | Disabled; the AESOUT pin is forced low. |
| TXBTD | Transmitter C and U Data Buffer Transfer Disable | |
| | This bit is used to enable and disable buffer transfers between the DIT User Access (UA) and DIT Transmitter Access (TA) buffers for both channel status (C) and user (U) data. Buffer transfers may be disabled, allowing the user to write new C and U data to the UA buffers through the SPI or I ² C serial host interface. Once updated, UA-to-TA buffer transfers may then be re-enabled, allowing the TA buffer to be updated and the new C and U data to be transmitted at the start of the next block. | |
| | TXBTD | User Access (UA) to Transmitter Access (TA) Buffer Transfers |
| | 0 | Enabled (default) |
| | 1 | Disabled; allows the user to update DIT C and U data buffers. |
| Note: The TXCUS0 and TXCUS1 bits in control register 0x09 must be set to a non-zero value in order for DIT UA buffer updates to occur. | | |
| LDMUX | Transmitter Line Driver Input Source Selection | |
| | This bit is used to select the input source for the DIT differential line driver outputs. | |
| | LDMUX | Line Driver Input Source |
| | 0 | DIT AES3 encoder output (default) |
| | 1 | Bypass multiplexer output |
| AESMUX | AESOUT CMOS Buffer Input Source Selection | |
| | This bit is used to select the input source for the AESOUT CMOS logic level output. | |
| | AESMUX | AESOUT Buffer Input Source |
| | 0 | DIT AES3 encoder output (default) |
| | 1 | Bypass multiplexer output |

Table 11. Register 08: Transmitter Control Register 2 Field Descriptions (continued)

| | | | |
|-------------|--|----------------|---------------------------------------|
| BYPMUX[1:0] | Bypass Multiplexer Source Selection | | |
| | These bits select the line receiver output to be used as the bypass multiplexer data source. | | |
| | BYPMUX1 | BYPMUX0 | Line Receiver Output Selection |
| | 0 | 0 | RX1 (default) |
| | 0 | 1 | RX2 |
| 1 | 0 | RX3 | |
| 1 | 1 | RX4 | |

Figure 31. Register 09: Transmitter Control Register 3

| | | | | | | | |
|---------|---|---|---|---|--------|--------|---------|
| 7 (MSB) | 6 | 5 | 4 | 3 | 2 | 1 | 0 (LSB) |
| 0 | 0 | 0 | 0 | 0 | VALSEL | TXCUS1 | TXCUS0 |

Table 12. Register 09: Transmitter Control Register 3 Field Descriptions

| | | | |
|------------|---|--|---|
| TXCUS[1:0] | Transmitter Channel Status and User Data Source | | |
| | These bits select the source of the channel status (or C) data and user (or U) data which is used to load the DIT User Access (UA) buffers. | | |
| | TXCUS1 | TXCUS0 | DIT UA Buffer Source |
| | 0 | 0 | The buffers will not be updated. (default) |
| | 0 | 1 | The buffers are updated through the SPI or I ² C host interface. |
| 1 | 0 | The buffers are updated through the DIR RA buffers. | |
| 1 | 1 | The first 10 bytes of the buffers are updated through the SPI or I ² C host, while the remainder of the buffers are updated through the DIR RA buffers. | |
| VALSEL | Transmitter Validity Bit Source | | |
| | This bit is used to select the source for the validity (or V) bit in the AES3-encoded output data stream. | | |
| | VALSEL | Validity (or V) Bit Source Selection | |
| | 0 | The VALID bit in control register 0x07. | |
| 1 | The V bit is transferred from the DIR block with zero latency. | | |

Figure 32. Register 0A: DIT Status (Read-Only)

| | | | | | | | |
|---------|---|---|---|---|---|-------|---------|
| 7 (MSB) | 6 | 5 | 4 | 3 | 2 | 1 | 0 (LSB) |
| 0 | 0 | 0 | 0 | 0 | 0 | TSLIP | TBTI |

Table 13. Register 0A: DIT Status (Read-Only) Field Descriptions

| | |
|-------|---|
| TBTI | Transmitter Buffer Transfer Status, Active High When DIT User Access (UA) to Transmitter Access (TA) buffer transfers are enabled (the TXBTD bit in control register 0x08 is set to 0), and the TBTI interrupt is unmasked (the MTBTI bit in control register 0x0B is set to 1), the TBTI bit will be set to 1 when the UA-to-TA buffer transfer has completed. This configuration also causes the $\overline{\text{INT}}$ output (pin 23) to be driven low and the TX bit in status register 0x02 to be set to 1, indicating that an interrupt has occurred. |
| TSLIP | Transmitter Source Data Slip Status, Active High The TSLIP bit will be set to 1 when either an asynchronous data slip or block start condition is detected, and the TSLIP interrupt is unmasked (the MTSLIP bit in control register 0x0B is set to 1). The BSSL bit in control register 0x07 is used to set the source for this interrupt. The TSLIP bit being forced to 1 will also cause the $\overline{\text{INT}}$ output (pin 23) to be driven low and the TX bit in status register 0x02 to be set to 1, indicating that an interrupt has occurred. |

Figure 33. Register 0B: DIT Interrupt Mask Register

| | | | | | | | |
|---------|---|---|---|---|---|--------|---------|
| 7 (MSB) | 6 | 5 | 4 | 3 | 2 | 1 | 0 (LSB) |
| 0 | 0 | 0 | 0 | 0 | 0 | MTSLIP | MTBTI |

Table 14. Register 0B: DIT Interrupt Mask Register Field Descriptions

| | | |
|------|---|------------------------------------|
| MBTI | Transmitter Buffer Transfer Interrupt Mask | |
| | MTBTI | BTI Interrupt Mask |
| | 0 | BTI interrupt is masked. (default) |
| 1 | BTI interrupt is enabled. | |

Table 14. Register 0B: DIT Interrupt Mask Register Field Descriptions (continued)

| | | |
|--------|---|--------------------------------------|
| MTSLIP | Transmitter TSLIP Interrupt Mask | |
| | MTSLIP | TSLIP Interrupt Mask |
| | 0 | TSLIP interrupt is masked. (default) |
| | 1 | TSLIP interrupt is enabled. |

Figure 34. Register 0C: DIT Interrupt Mode Register

| | | | | | | | |
|---------|---|---|---|---------|---------|--------|---------|
| 7 (MSB) | 6 | 5 | 4 | 3 | 2 | 1 | 0 (LSB) |
| 0 | 0 | 0 | 0 | TSLIPM1 | TSLIPM0 | TBTIM1 | TBTIM0 |

Table 15. Register 0C: DIT Interrupt Mode Register Field Descriptions

| | | | |
|-------------|---|----------------|-------------------------------|
| TBTIM[1:0] | Transmitter Buffer Transfer Interrupt Mode | | |
| | These bits are used to select the active trigger state for the BTI interrupt. | | |
| | TBTIM1 | TBTIM0 | Interrupt Active State |
| | 0 | 0 | Rising edge active (default) |
| | 0 | 1 | Falling edge active |
| TSLIPM[1:0] | Transmitter Data Source Slip Interrupt Mode | | |
| | These bits are used to select the active trigger state for the TSLIP interrupt. | | |
| | TSLIPM1 | TSLIPM0 | Interrupt Active State |
| | 0 | 0 | Rising edge active (default) |
| | 0 | 1 | Falling edge active |
| | 1 | 0 | Level active |
| | 1 | 1 | Reserved |

Figure 35. Register 0D: Receiver Control Register 1

| | | | | | | | |
|---------|---|---|-------|-------|---|--------|---------|
| 7 (MSB) | 6 | 5 | 4 | 3 | 2 | 1 | 0 (LSB) |
| 0 | 0 | 0 | RXBDT | RXCLK | 0 | RXMUX1 | RXMUX0 |

Table 16. Register 0D: Receiver Control Register 1 Field Descriptions

| | | |
|------------|---|--|
| RXMUX[1:0] | Receiver Input Source Selection | |
| | These bits are used to select the output of the line receiver to be used as the input data source for the DIR core. | |
| | RXMUX1 | RXMUX0 |
| | 0 | 0 |
| | 0 | 1 |
| RXCLK | Receiver Reference Clock Source | |
| | This bit is used to select the reference clock source for PLL1 in the DIR core. | |
| | RXCLK | Receiver Reference Clock |
| | 0 | RXCKI (default) |
| RXBDT | Receiver C and U Data Buffer Transfer Disable | |
| | This bit is used to enable and disable buffer transfers between the Receiver Access (RA) and User Access (UA) buffers for both channel status (C) and user (U) data. | |
| | Buffer transfers are typically disabled to allow the customer to read C and U data from the DIR UA buffer through the SPI or I ² C serial host interface. Once read, the RA-to-UA buffer transfer can be re-enabled to allow the RA buffer to update the contents of the UA buffer in real time. | |
| | RXBDT | Receiver Access (RA) to User Access (UA) Buffer Transfers |
| 0 | Enabled (default) | |
| 1 | Disabled; the user may read C and U data from the DIR UA buffers. | |

Figure 36. Register 0E: Receiver Control Register 2

| 7 (MSB) | 6 | 5 | 4 | 3 | 2 | 1 | 0 (LSB) |
|---------|---|---|-----|--------|---------|---------|---------|
| 0 | 0 | 0 | LOL | RXAMLL | RXCKOD1 | RXCKOD0 | RXCKOE |

Table 17. Register 0E: Receiver Control Register 2 Field Descriptions

| | | | |
|-------------|---|---|--|
| RXCKOE | RXCKOE Output Enable | | |
| | This bit is used to enable or disable the recovered clock output, RXCKO (pin 12). When disabled, the output is set to a high-impedance state. | | |
| | RXCKOE | RXCKO Output State | |
| | 0 | Disabled; the RXCKO output is set to high-impedance. (default) | |
| | 1 | Enabled; the recovered master clock is available at RXCKO. | |
| RXCKOD[1:0] | RXCKO Output Clock Divider | | |
| | These bits are used to set the clock divider at the output of PLL2. The output of the divider is the RXCKO clock, available internally or at the RXCKO output (pin 12). | | |
| | RXCKOD1 | RXCKOD0 | RXCKO Output Divider |
| | 0 | 0 | Passthrough; no division is performed. (default) |
| | 0 | 1 | Divide the PLL2 clock output by 2. |
| | 1 | 0 | Divide the PLL2 clock output by 4. |
| | 1 | 1 | Divide the PLL2 clock output by 8. |
| RXAMLL | Receiver Automatic Mute for Loss of Lock | | |
| | This bit is used to set the automatic mute function for the DIR block when a loss of lock is indicated by both the AES3 decoder and PLL2. | | |
| | RXAMLL | Receiver Auto-Mute Function | |
| | 0 | Disabled (default) | |
| | 1 | Enabled; audio data output from the DIR block is forced low for a loss of lock condition. | |
| LOL | Receiver Loss of Lock Mode for the Recovered Clock (output from PLL2) | | |
| | This bit is used to set the mode of operation for PLL2 when a loss of lock condition occurs. | | |
| | LOL | Receiver PLL2 Operation | |
| | 0 | The PLL2 output clock is stopped for a loss of lock condition. (default) | |
| | 1 | The PLL2 output clock free runs when a loss of lock condition occurs. | |

Figure 37. Register 0F: Receiver PLL1 Configuration Register 1

| 7 (MSB) | 6 | 5 | 4 | 3 | 2 | 1 | 0 (LSB) |
|---------|----|----|----|----|----|----|---------|
| P3 | P2 | P1 | P0 | J5 | J4 | J3 | J2 |

Figure 38. Register 10: Receiver PLL1 Configuration Register 2

| 7 (MSB) | 6 | 5 | 4 | 3 | 2 | 1 | 0 (LSB) |
|---------|----|-----|-----|-----|-----|----|---------|
| J1 | J0 | D13 | D12 | D11 | D10 | D9 | D8 |

Figure 39. Register 11: Receiver PLL1 Configuration Register 3

| | | | | | | | |
|---------|----|----|----|----|----|----|---------|
| 7 (MSB) | 6 | 5 | 4 | 3 | 2 | 1 | 0 (LSB) |
| D7 | D6 | D5 | D4 | D3 | D2 | D1 | D0 |

Table 18. Register 11: Receiver PLL1 Configuration Register 3 Field Descriptions

Registers 0x0F through 0x11 are used to program PLL1 in the DIR core. PLL1 multiplies the DIR reference clock source to an oversampling rate which is adequate for AES3 decoder operation. PLL1 is programmed using the following relationship:

$$(\text{CLOCK} \times \text{K}) / \text{P} = 98.304 \text{ MHz}$$

where:
 CLOCK = frequency of the DIR reference clock source.
 K = J.D, where the integer part J = 1 to 63, and the fractional part D = 0 to 9999.
 P = the pre-divider value, which may be set to any 4-bit value that meets the conditions stated below.
 The following conditions must be met for the values of P, J, and D:

If D = 0, 2 MHz ≤ (CLOCK / P) ≤ 20 MHz and 4 ≤ J ≤ 55.
then:

If D ≠ 0, 10 MHz ≤ (CLOCK / P) ≤ 20 MHz and 4 ≤ J ≤ 11.
then:

Referring to registers 0x0F through 0x11:
 P is programmed using bits P[3:0].
 J is programmed using bits J[5:0].
 D is programmed using bits D[13:0].
 Table 19 shows values for P, J, and D for common DIR reference clock rates.

Table 19. PLL1 Register Values for Common Reference Clock Rates

| REFERENCE CLOCK RATE (MHz) | P | J | D | ERROR (%) |
|----------------------------|---|----|------|-----------|
| 8.1920 | 1 | 12 | 0 | 0.0000 |
| 11.2896 | 1 | 8 | 7075 | 0.0002 |
| 12.2880 | 1 | 8 | 0 | 0.0000 |
| 16.3840 | 1 | 6 | 0 | 0.0000 |
| 22.5792 | 2 | 8 | 7075 | 0.0002 |
| 24.5760 | 2 | 8 | 0 | 0.0000 |
| 27.0000 | 2 | 7 | 2818 | 0.0003 |

Figure 40. Register 12: Non-PCM Audio Detection Status Register (Read-Only)

| | | | | | | | |
|---------|---|---|---|---|---|-----------|----------|
| 7 (MSB) | 6 | 5 | 4 | 3 | 2 | 1 | 0 (LSB) |
| 0 | 0 | 0 | 0 | 0 | 0 | DTS CD/LD | IEC61937 |

Table 20. Register 12: Non-PCM Audio Detection Status Register (Read-Only) Field Descriptions

| | | |
|-----------|--|---------------------------------|
| IEC61937 | This bit is used to indicate the detection of an IEC 61937 data reduced audio format (includes Dolby AC-3, DTS, etc.) for DVD playback or general transmission purposes. | |
| | IEC61937 | Status |
| | 0 | Data is not an IEC61937 format. |
| DTS CD/LD | This bit is used to indicate the detection of a DTS encoded audio compact disc (CD) or Laserdisc (LD) playback. | |
| | DTS CD/LD | Status |
| | 0 | The CD/LD is not DTS-encoded. |
| | 1 | DTS CD/LD playback detected. |

Figure 41. Register 13: Receiver Status Register 1 (Read-Only)

| 7 (MSB) | 6 | 5 | 4 | 3 | 2 | 1 | 0 (LSB) |
|---------|---|---|---|---|---|--------|---------|
| 0 | 0 | 0 | 0 | 0 | 0 | RXCKR1 | RXCKR0 |

Table 21. Register 13: Receiver Status Register 1 (Read-Only) Field Descriptions

| | | | |
|------------|--|-------------------|-------------------------------------|
| RXCKR[1:0] | Maximum Available Recovered Clock Rate | | |
| | These two bits indicate the maximum available RXCKO clock rate based upon the DIR detection circuitry, which determines the frame rate of the incoming AES3-encoded bit stream. Based upon the estimated frame rate, a maximum rate for the recovered clock output (RXCKO) is determined and output from PLL2, as well as being loaded into the RXCKR0 and RXCKR1 status bits. The status of the RXCKR0 and RXCKR1 bits may be used to determine the programmed value for the PLL2 output clock divider, set by the RXCKOD0 and RXCKOD1 bits in control register 0x0E. | | |
| | RXCKR1 | RXCKR0 | Maximum Available RXCKO Rate |
| | 0 | 0 | Clock rate not determined. |
| | 0 | 1 | 128f _S |
| 1 | 0 | 256f _S | |
| 1 | 1 | 512f _S | |

Figure 42. Register 14: Receiver Status Register 2 (Read-Only)

| 7 (MSB) | 6 | 5 | 4 | 3 | 2 | 1 | 0 (LSB) |
|---------|--------|------|-------|------|--------|------|---------|
| CSCRC | PARITY | VBIT | BPERR | QCHG | UNLOCK | QCRC | RBTI |

Note: Status bits must be unmasked in control register 0x16 in order for the status interrupts to be generated.

Table 22. Register 14: Receiver Status Register 2 (Read-Only) Field Descriptions

| | | |
|--------|--|--|
| CSCRC | Channel Status CRC Status | |
| | CSCRC | CRC Status |
| | 0 | No error |
| | 1 | CRC error detected |
| PARITY | Parity Status | |
| | PARITY | Parity Status |
| | 0 | No error |
| | 1 | Parity error detected |
| VBIT | Validity Bit Status | |
| | VBIT | Validity Bit |
| | 0 | Valid audio data indicated |
| | 1 | Non-valid data indicated |
| BPERR | Biphase Encoding Error Status | |
| | BPERR | Biphase Encoding Status |
| | 0 | No error |
| | 1 | Biphase encoding error detected |
| QCHG | Q-Channel Sub-Code Data Change Status | |
| | QCHG | Q-Channel Data Status |
| | 0 | No change in Q-channel sub-code data. |
| | 1 | Q-channel data has changed. May be used to trigger a read of the Q-channel sub-code data, registers 0x1F through 0x28. |
| UNLOCK | DIR Unlock Error Status | |
| | UNLOCK | DIR Lock Status |
| | 0 | No error; the DIR AES3 decoder and PLL2 are locked. |
| | 1 | DIR lock error; the AES3 decoder and PLL2 are unlocked. |
| QCRC | Q-Channel Sub-Code CRC Status | |
| | QCRC | Q-Channel CRC Status |
| | 0 | No error |
| | 1 | Q-channel sub-code data CRC error detected. |
| RBTI | Receiver Buffer Transfer Interrupt Status | |
| | RBTI | DIR RA Buffer-to-UA Buffer Transfer Status |

Table 22. Register 14: Receiver Status Register 2 (Read-Only) Field Descriptions (continued)

| | | |
|--|---|---|
| | 0 | Buffer transfer incomplete, or no Buffer transfer interrupt indicated |
| | 1 | Buffer transfer completed |

Figure 43. Register 15: Receiver Status Register 3 (Read-Only)

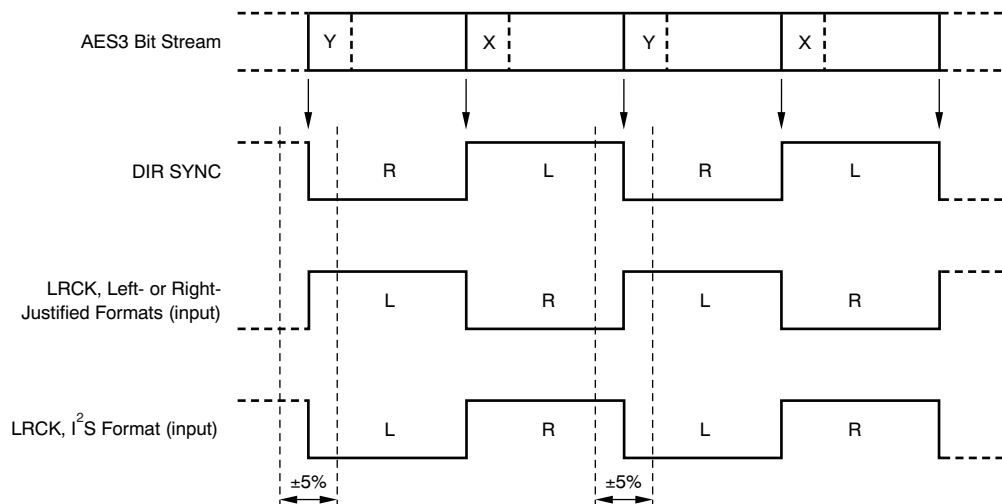
| | | | | | | | |
|---------|---|---|---|---|---|---|---------|
| 7 (MSB) | 6 | 5 | 4 | 3 | 2 | 1 | 0 (LSB) |
| 0 | 0 | 0 | 0 | 0 | 0 | 0 | OSLIP |

Note: Status bits must be unmasked in control register 0x17 in order for the status interrupts to be generated.

Table 23. Register 15: Receiver Status Register 3 (Read-Only) Field Descriptions

| | | |
|-------|---|---|
| OSLIP | Receiver Output Data Slip Error Status | |
| | OSLIP | Receiver OSLIP Error Status |
| | 0 | No error |
| | 1 | DIR output data Slip or Repeat error detected |

An OSLIP interrupt is possible when the DIR output is used as the source for either the Port A or Port B audio serial port and the port is configured to operate in slave mode. Figure 44 shows the timing associated with the OSLIP interrupt. When only one audio serial port (Port A or Port B) is sourced by the DIR output, then the OSLIP status bit and interrupt applies to that port. If both Port A and Port B are sourced by the DIR output, then the OSLIP status bit and interrupt applies to Port A only.



Data Slip or Repeat may occur when the LRCK edges indicated are within the $\pm 5\%$ window.

Figure 44. DIR Output Slip and Repeat (OSLIP) Behavior

Figure 45. Register 16: Receiver Interrupt Mask Register 1

| 7 (MSB) | 6 | 5 | 4 | 3 | 2 | 1 | 0 (LSB) |
|---------|---------|-------|--------|-------|---------|-------|---------|
| MCSCRC | MPARITY | MVBIT | MBPERR | MQCHG | MUNLOCK | MQCRC | MRBTI |

Table 24. Register 16: Receiver Interrupt Mask Register 1 Field Descriptions

| | | |
|---------|--|---|
| MCSCRC | Channel Status CRC Error Interrupt Mask | |
| | MCSCRC | CRC Interrupt |
| | 0 | Masked (default) |
| | 1 | Enabled |
| MPARITY | Parity Error Interrupt Mask | |
| | MPARITY | Parity Error Interrupt |
| | 0 | Masked (default) |
| | 1 | Enabled |
| MVBIT | Validity Error Interrupt Mask | |
| | MVBIT | Validity Error Interrupt |
| | 0 | Masked (default) |
| | 1 | Enabled |
| MBPERR | Biphase Encoding Error Interrupt Mask | |
| | MBPERR | Biphase Error Interrupt |
| | 0 | Masked (default) |
| | 1 | Enabled |
| MQCHG | Q-Channel Sub-Code Data Change Interrupt Mask | |
| | MQCHG | Q-Channel Data Change Interrupt |
| | 0 | Masked (default) |
| | 1 | Enabled |
| MUNLOCK | DIR Unlock Error Interrupt Mask | |
| | MUNLOCK | DIR Unlock Interrupt |
| | 0 | Masked (default) |
| | 1 | Enabled |
| MQCRC | Q-Channel Sub-Code CRC Error Interrupt Mask | |
| | MQCRC | Q-Channel CRC Error Interrupt |
| | 0 | Masked (default) |
| | 1 | Enabled |
| MRBTI | Receiver Buffer Transfer Interrupt Mask | |
| | MRBTI | Receiver Buffer Transfer Interrupt |
| | 0 | Masked (default) |
| | 1 | Enabled |

Figure 46. Register 17: Receiver Interrupt Mask Register 2

| 7 (MSB) | 6 | 5 | 4 | 3 | 2 | 1 | 0 (LSB) |
|---------|---|---|---|---|---|---|---------|
| 0 | 0 | 0 | 0 | 0 | 0 | 0 | MOSLIP |

Table 25. Register 17: Receiver Interrupt Mask Register 2 Field Descriptions

| | | |
|--------|---|---------------------------------------|
| MOSLIP | Receiver Output Data Slip Error Mask | |
| | MOSLIP | Receiver OSLIP Error Interrupt |
| | 0 | Masked (default) |
| | 1 | Enabled |

Figure 47. Register 18: Receiver Interrupt Mode Register 1

| 7 (MSB) | 6 | 5 | 4 | 3 | 2 | 1 | 0 (LSB) |
|---------|--------|----------|----------|--------|--------|--------|---------|
| QCHGM1 | QCHGM0 | UNLOCKM1 | UNLOCKM0 | QCRCM1 | QCRCM0 | RBTIM1 | RBTIM0 |

Table 26. Register 18: Receiver Interrupt Mode Register 1 Field Descriptions

| | | | |
|--------------|--|-----------------|-------------------------------|
| QCHGM[1:0] | Q-Channel Sub-Code Data Change Interrupt Mode | | |
| | QCHGM1 | QCHGM0 | Interrupt Active State |
| | 0 | 0 | Rising edge active (default) |
| | 0 | 1 | Falling edge active |
| | 1 | 0 | Level active |
| UNLOCKM[1:0] | DIR Unlock Error Interrupt Mode | | |
| | UNLOCKM1 | UNLOCKM0 | Interrupt Active State |
| | 0 | 0 | Rising edge active (default) |
| | 0 | 1 | Falling edge active |
| | 1 | 0 | Level active |
| QCRCM[1:0] | Q-Channel Sub-Code CRC Error Interrupt Mode | | |
| | QCRCM1 | QCRCM0 | Interrupt Active State |
| | 0 | 0 | Rising edge active (default) |
| | 0 | 1 | Falling edge active |
| | 1 | 0 | Level active |
| RBTIM[1:0] | Receive Buffer Transfer Interrupt Mode | | |
| | RBTIM1 | RBTIM0 | Interrupt Active State |
| | 0 | 0 | Rising edge active (default) |
| | 0 | 1 | Falling edge active |
| | 1 | 0 | Level active |
| | Reserved | | |
| | 1 | 1 | Reserved |

Figure 48. Register 19: Receiver Interrupt Mode Register 2

| 7 (MSB) | 6 | 5 | 4 | 3 | 2 | 1 | 0 (LSB) |
|---------|---------|----------|----------|--------|--------|---------|---------|
| CSCRCM1 | CSCRCM0 | PARITYM1 | PARITYM0 | VBITM1 | VBITM0 | BPERRM1 | BPERRM0 |

Table 27. Register 19: Receiver Interrupt Mode Register 2 Field Descriptions

| | | | |
|--------------|--|-----------------|-------------------------------|
| CSCRCM[1:0] | Channel Status CRC Error Interrupt Mode | | |
| | CSCRCM1 | CSCRCM0 | Interrupt Active State |
| | 0 | 0 | Rising edge active (default) |
| | 0 | 1 | Falling edge active |
| | 1 | 0 | Level active |
| PARITYM[1:0] | Parity Error Interrupt Mode | | |
| | PARITYM1 | PARITYM0 | Interrupt Active State |
| | 0 | 0 | Rising edge active (default) |
| | 0 | 1 | Falling edge active |
| | 1 | 0 | Level active |
| VBITM[1:0] | Validity Error Interrupt Mode | | |
| | VBITM1 | VBITM0 | Interrupt Active State |
| | 0 | 0 | Rising edge active (default) |
| | 0 | 1 | Falling edge active |
| | 1 | 0 | Level active |
| BPERRM[1:0] | Biphase Encoding Error Interrupt Mode | | |
| | BPERRM1 | BPERRM0 | Interrupt Active State |
| | 0 | 0 | Rising edge active (default) |
| | 0 | 1 | Falling edge active |
| | 1 | 0 | Level active |
| | Reserved | | |
| | 1 | 1 | Reserved |

Figure 49. Register 1A: Receiver Interrupt Mode Register 3

| 7 (MSB) | 6 | 5 | 4 | 3 | 2 | 1 | 0 (LSB) |
|---------|---|---|---|---|---|---------|---------|
| 0 | 0 | 0 | 0 | 0 | 0 | OSLIPM1 | OSLIPM0 |

Table 28. Register 1A: Receiver Interrupt Mode Register 3 Field Descriptions

| | | | |
|-------------|---|----------------|-------------------------------|
| OSLIPM[1:0] | Receiver Output Data Slip Error Interrupt Mode | | |
| | OSLIPM1 | OSLIPM0 | Interrupt Active State |
| | 0 | 0 | Rising edge active (default) |
| | 0 | 1 | Falling edge active |
| | 1 | 0 | Level active |
| | Reserved | | |
| | 1 | 1 | Reserved |

Figure 50. Register 1B: General-Purpose Output 1 (GPO1) Control Register

| | | | | | | | |
|---------|---|---|---|-------|-------|-------|---------|
| 7 (MSB) | 6 | 5 | 4 | 3 | 2 | 1 | 0 (LSB) |
| 0 | 0 | 0 | 0 | GPO13 | GPO12 | GPO11 | GPO10 |

Table 29. Register 1B: General-Purpose Output 1 (GPO1) Control Register Field Descriptions

| | | | | | |
|------------|--|--------------|--------------|--|---|
| GPO[13:10] | General-Purpose Output 1 (GPO1) Configuration | | | | |
| | These bits are used to set the state or data source for the general-purpose digital output pin GPO1. | | | | |
| | GPO13 | GPO12 | GPO11 | GPO10 | GPO1 Function |
| | 0 | 0 | 0 | 0 | GPO1 is forced low (default) |
| | 0 | 0 | 0 | 1 | GPO1 is forced high |
| | 0 | 0 | 1 | 0 | Reserved |
| | 0 | 0 | 1 | 1 | Transmitter interrupt, active low |
| | 0 | 1 | 0 | 0 | Receiver interrupt, active low |
| | 0 | 1 | 0 | 1 | Receiver 50/15- μ s pre-emphasis, active low |
| | 0 | 1 | 1 | 0 | Receiver non-audio data, active high |
| | 0 | 1 | 1 | 1 | Receiver non-valid data, active high |
| | 1 | 0 | 0 | 0 | Receiver channel status bit |
| | 1 | 0 | 0 | 1 | Receiver user data bit |
| | 1 | 0 | 1 | 0 | Receiver block start clock |
| | 1 | 0 | 1 | 1 | Receiver COPY bit (0 = copyright asserted, 1 = copyright not asserted) |
| 1 | 1 | 0 | 0 | Receiver L-bit (0 = first generation or higher, 1 = original) | |
| 1 | 1 | 0 | 1 | Receiver parity error, active high | |
| 1 | 1 | 1 | 0 | Receiver internal sync clock | |
| 1 | 1 | 1 | 1 | Transmitter internal sync clock | |

Figure 51. Register 1C: General-Purpose Output 2 (GPO2) Control Register

| | | | | | | | |
|---------|---|---|---|-------|-------|-------|---------|
| 7 (MSB) | 6 | 5 | 4 | 3 | 2 | 1 | 0 (LSB) |
| 0 | 0 | 0 | 0 | GPO23 | GPO22 | GPO21 | GPO20 |

Table 30. Register 1C: General-Purpose Output 2 (GPO2) Control Register Field Descriptions

| | | | | | |
|------------|--|--------------|--------------|--|---|
| GPO[23:20] | General-Purpose Output 2 (GPO2) Configuration | | | | |
| | These bits are used to set the state or data source for the general-purpose digital output pin GPO2. | | | | |
| | GPO23 | GPO22 | GPO21 | GPO20 | GPO2 Function |
| | 0 | 0 | 0 | 0 | GPO2 is forced low (default) |
| | 0 | 0 | 0 | 1 | GPO2 is forced high |
| | 0 | 0 | 1 | 0 | Reserved |
| | 0 | 0 | 1 | 1 | Transmitter interrupt, active low |
| | 0 | 1 | 0 | 0 | Receiver interrupt, active low |
| | 0 | 1 | 0 | 1 | Receiver 50/15- μ s pre-emphasis, active low |
| | 0 | 1 | 1 | 0 | Receiver non-audio data, active high |
| | 0 | 1 | 1 | 1 | Receiver non-valid data, active high |
| | 1 | 0 | 0 | 0 | Receiver channel status bit |
| | 1 | 0 | 0 | 1 | Receiver user data bit |
| | 1 | 0 | 1 | 0 | Receiver block start clock |
| | 1 | 0 | 1 | 1 | Receiver COPY bit (0 = copyright asserted, 1 = copyright not asserted) |
| 1 | 1 | 0 | 0 | Receiver L-bit (0 = first generation or higher, 1 = original) | |
| 1 | 1 | 0 | 1 | Receiver parity error, active high | |
| 1 | 1 | 1 | 0 | Receiver internal sync clock | |
| 1 | 1 | 1 | 1 | Transmitter internal sync clock | |

Figure 52. Register 1D: General-Purpose Output 3 (GPO3) Control Register

| 7 (MSB) | 6 | 5 | 4 | 3 | 2 | 1 | 0 (LSB) |
|---------|---|---|---|-------|-------|-------|---------|
| 0 | 0 | 0 | 0 | GPO33 | GPO32 | GPO31 | GPO30 |

Table 31. Register 1D: General-Purpose Output 3 (GPO3) Control Register Field Descriptions

| GPO[33:30] | General-Purpose Output 3 (GPO3) Configuration | | | | |
|------------|--|-------|-------|-------|---|
| | These bits are used to set the state or data source for the general-purpose digital output pin GPO3. | | | | |
| | GPO33 | GPO32 | GPO31 | GPO30 | GPO3 Function |
| | 0 | 0 | 0 | 0 | GPO3 is forced low (default) |
| | 0 | 0 | 0 | 1 | GPO3 is forced high |
| | 0 | 0 | 1 | 0 | Reserved |
| | 0 | 0 | 1 | 1 | Transmitter interrupt, active low |
| | 0 | 1 | 0 | 0 | Receiver interrupt, active low |
| | 0 | 1 | 0 | 1 | Receiver 50/15- μ s pre-emphasis, active low |
| | 0 | 1 | 1 | 0 | Receiver non-audio data, active high |
| | 0 | 1 | 1 | 1 | Receiver non-valid data, active high |
| | 1 | 0 | 0 | 0 | Receiver channel status bit |
| | 1 | 0 | 0 | 1 | Receiver user data bit |
| | 1 | 0 | 1 | 0 | Receiver block start clock |
| | 1 | 0 | 1 | 1 | Receiver COPY bit (0 = copyright asserted, 1 = copyright not asserted) |
| | 1 | 1 | 0 | 0 | Receiver L-bit (0 = first generation or higher, 1 = original) |
| | 1 | 1 | 0 | 1 | Receiver parity error, active high |
| | 1 | 1 | 1 | 0 | Receiver internal sync clock |
| | 1 | 1 | 1 | 1 | Transmitter internal sync clock |

Figure 53. Register 1E: General-Purpose Output 4 (GPO4) Control Register

| 7 (MSB) | 6 | 5 | 4 | 3 | 2 | 1 | 0 (LSB) |
|---------|---|---|---|-------|-------|-------|---------|
| 0 | 0 | 0 | 0 | GPO43 | GPO42 | GPO41 | GPO40 |

Table 32. Register 1E: General-Purpose Output 4 (GPO4) Control Register Field Descriptions

| GPO[43:40] | General-Purpose Output 4 (GPO4) Configuration | | | | |
|------------|--|-------|-------|-------|---|
| | These bits are used to set the state or data source for the general-purpose digital output pin GPO4. | | | | |
| | GPO43 | GPO42 | GPO41 | GPO40 | GPO4 Function |
| | 0 | 0 | 0 | 0 | GPO4 is forced low (default) |
| | 0 | 0 | 0 | 1 | GPO4 is forced high |
| | 0 | 0 | 1 | 0 | Reserved |
| | 0 | 0 | 1 | 1 | Transmitter interrupt, active low |
| | 0 | 1 | 0 | 0 | Receiver interrupt, active low |
| | 0 | 1 | 0 | 1 | Receiver 50/15- μ s pre-emphasis, active low |
| | 0 | 1 | 1 | 0 | Receiver non-audio data, active high |
| | 0 | 1 | 1 | 1 | Receiver non-valid data, active high |
| | 1 | 0 | 0 | 0 | Receiver channel status bit |
| | 1 | 0 | 0 | 1 | Receiver user data bit |
| | 1 | 0 | 1 | 0 | Receiver block start clock |
| | 1 | 0 | 1 | 1 | Receiver COPY bit (0 = copyright asserted, 1 = copyright not asserted) |
| | 1 | 1 | 0 | 0 | Receiver L-bit (0 = first generation or higher, 1 = original) |
| | 1 | 1 | 0 | 1 | Receiver parity error, active high |
| | 1 | 1 | 1 | 0 | Receiver internal sync clock |
| | 1 | 1 | 1 | 1 | Transmitter internal sync clock |

9.5.2.1 Registers 1F through 28: Q-Channel Sub-Code Data Registers

Registers 0x1F through 0x28 comprise the Q-channel sub-code buffer, which may be accessed for audio CD playback. The Q-channel data provides information regarding the playback status for the current disc. The buffer data is decoded by the DIR block.

Figure 54. Register 1F: Q-Channel Sub-Code Data Register 1 (Read-Only), Bits[7:0], Control and Address

| 7 (MSB) | 6 | 5 | 4 | 3 | 2 | 1 | 0 (LSB) |
|---------|----|----|----|----|----|----|---------|
| Q0 | Q1 | Q2 | Q3 | Q4 | Q5 | Q6 | Q7 |

Figure 55. Register 20: Q-Channel Sub-Code Data Register 2 (Read-Only), Bits[15:8], Track

| 7 (MSB) | 6 | 5 | 4 | 3 | 2 | 1 | 0 (LSB) |
|---------|----|-----|-----|-----|-----|-----|---------|
| Q8 | Q9 | Q10 | Q11 | Q12 | Q13 | Q14 | Q15 |

Figure 56. Register 21: Q-Channel Sub-Code Data Register 3 (Read-Only), Bits[23:16], Index

| 7 (MSB) | 6 | 5 | 4 | 3 | 2 | 1 | 0 (LSB) |
|---------|-----|-----|-----|-----|-----|-----|---------|
| Q16 | Q17 | Q18 | Q19 | Q20 | Q21 | Q22 | Q23 |

Figure 57. Register 22: Q-Channel Sub-Code Data Register 4 (Read-Only), Bits[31:24], Minutes

| 7 (MSB) | 6 | 5 | 4 | 3 | 2 | 1 | 0 (LSB) |
|---------|-----|-----|-----|-----|-----|-----|---------|
| Q24 | Q25 | Q26 | Q27 | Q28 | Q29 | Q30 | Q31 |

Figure 58. Register 23: : Q-Channel Sub-Code Data Register 5 (Read-Only), Bits[39:32], Seconds

| 7 (MSB) | 6 | 5 | 4 | 3 | 2 | 1 | 0 (LSB) |
|---------|-----|-----|-----|-----|-----|-----|---------|
| Q32 | Q33 | Q34 | Q35 | Q36 | Q37 | Q38 | Q39 |

Figure 59. Register 24: : Q-Channel Sub-Code Data Register 6 (Read-Only), Bits[47:40], Frame

| 7 (MSB) | 6 | 5 | 4 | 3 | 2 | 1 | 0 (LSB) |
|---------|-----|-----|-----|-----|-----|-----|---------|
| Q40 | Q41 | Q42 | Q43 | Q44 | Q45 | Q46 | Q47 |

Figure 60. Register 25: Q-Channel Sub-Code Data Register 7 (Read-Only), Bits[55:48], Zero

| 7 (MSB) | 6 | 5 | 4 | 3 | 2 | 1 | 0 (LSB) |
|---------|-----|-----|-----|-----|-----|-----|---------|
| Q48 | Q49 | Q50 | Q51 | Q52 | Q53 | Q54 | Q55 |

Figure 61. Register 26: Q-Channel Sub-Code Data Register 8 (Read-Only), Bits[63:56], AMIN

| 7 (MSB) | 6 | 5 | 4 | 3 | 2 | 1 | 0 (LSB) |
|---------|-----|-----|-----|-----|-----|-----|---------|
| Q56 | Q57 | Q58 | Q59 | Q60 | Q61 | Q62 | Q63 |

Figure 62. Register 27: Q-Channel Sub-Code Data Register 9 (Read-Only), Bits[71:64], ASEC

| 7 (MSB) | 6 | 5 | 4 | 3 | 2 | 1 | 0 (LSB) |
|---------|-----|-----|-----|-----|-----|-----|---------|
| Q64 | Q65 | Q66 | Q67 | Q68 | Q69 | Q70 | Q71 |

Figure 63. Register 28: Q-Channel Sub-Code Data Register 10 (Read-Only), Bits[79:72], AFRAME

| 7 (MSB) | 6 | 5 | 4 | 3 | 2 | 1 | 0 (LSB) |
|---------|-----|-----|-----|-----|-----|-----|---------|
| Q72 | Q73 | Q74 | Q75 | Q76 | Q77 | Q78 | Q79 |

9.5.2.2 Registers 29 through 2C: IEC61937 PC/PD Burst Preamble

The PC and PD burst preambles are part of the IEC61937 standard for transmission of data reduced, non-PCM audio over a standard two-channel interface (IEC60958). Examples of data-reduced formats include Dolby AC-3, DTS, various flavors of MPEG audio (including AAC), and Sony ATRAC. The PA and PB preambles provide synchronization data, and are fixed values of 0xF872 and 0x4E1F, respectively. The PC preamble indicates the type of data being carried by the interface and the PD preamble indicates the length of the burst, given as number of bits.

Registers 0x29 through 0x2C contain the PC and PD preambles as decoded by the DIR block.

Figure 64. Register 29: Burst Preamble PC High-Byte Status Register (Read-Only)

| 7 (MSB) | 6 | 5 | 4 | 3 | 2 | 1 | 0 (LSB) |
|---------|------|------|------|------|------|------|---------|
| PC15 | PC14 | PC13 | PC12 | PC11 | PC10 | PC09 | PC08 |

Figure 65. Register 2A: Burst Preamble PC Low-Byte Status Register (Read-Only)

| 7 (MSB) | 6 | 5 | 4 | 3 | 2 | 1 | 0 (LSB) |
|---------|------|------|------|------|------|------|---------|
| PC07 | PC06 | PC05 | PC04 | PC03 | PC02 | PC01 | PC00 |

Table 33. Register 2A: Burst Preamble PC Low-Byte Status Register (Read-Only) Field Descriptions

| PC[4:0], Hex | Data Type |
|--------------|--|
| 00 | Null |
| 01 | Dolby AC-3 |
| 02 | Reserved |
| 03 | Pause |
| 04 | MPEG-1 layer 1 |
| 05 | MPEG-1 layer 2 or 3, or MPEG-2 without extension |
| 06 | MPEG-2 Data with extension |
| 07 | MPEG-2 AAC ADTS |
| 08 | MPEG-2 layer 1 low sample rate |
| 09 | MPEG-2 layer 2 or 3 low sample rate |
| 0A | Reserved |
| 0B | DTS type 1 |
| 0C | DTS type 2 |
| 0D | DTS type 3 |
| 0E | ATRAC |
| 0F | ATRAC2/3 |
| 10-1F | Reserved |

Bits PC[6:5] are both set to 0.

Bit PC[7] is an Error Flag, where: 0 = A valid burst-payload; 1 = Burst-payload may contain errors.

Bits PC[12:8] are data-type dependent.

Bits PC[15:13] indicate the stream number, which is set to 0.

Figure 66. Register 2B: Burst Preamble PD High-Byte Status Register (Read-Only)

| 7 (MSB) | 6 | 5 | 4 | 3 | 2 | 1 | 0 (LSB) |
|---------|------|------|------|------|------|------|---------|
| PD15 | PD14 | PD13 | PD12 | PD11 | PD10 | PD09 | PD08 |

Figure 67. Register 2C: Burst Preamble PD Low-Byte Status Register (Read-Only)

| 7 (MSB) | 6 | 5 | 4 | 3 | 2 | 1 | 0 (LSB) |
|---------|------|------|------|------|------|------|---------|
| PD07 | PD06 | PD05 | PD04 | PD03 | PD02 | PD01 | PD00 |

Figure 68. Register 7F: Page Selection Register

| | | | | | | | |
|---------|---|---|---|---|---|-------|---------|
| 7 (MSB) | 6 | 5 | 4 | 3 | 2 | 1 | 0 (LSB) |
| 0 | 0 | 0 | 0 | 0 | 0 | PAGE1 | PAGE0 |

Table 34. Register 7F: Page Selection Register Field Descriptions

| | | | |
|------------------|--|------------------|--|
| PAGE[1:0] | Page Selection | | |
| | These bits are used to select one of three register pages for write and/or read access through the SPI or I ² C serial host interface. The Page Selection Register is present on every register page at address 0x7F, allowing movement between pages as necessary. | | |
| | PAGE1 | PAGE0 | Register/Buffer Page Selection |
| | 0 | 0 | Page 0, control and status registers (default) |
| | 0 | 1 | Page 1, DIR channel status and user data buffers |
| | 1 | 0 | Page 2, DIT channel status and user data buffers |
| 1 | 1 | Page 3, reserved | |

9.5.3 Channel Status and User Data Buffer Maps

Table 35 through Table 38 show the buffer maps for the DIR and DIT channel status and user data buffers.

For Table 35, the channel status byte definitions are dependent on the transmission mode, either Professional or Consumer. Bit 0 of Byte 0 defines the transmission mode, 0 for Consumer mode, and 1 for Professional mode. This is applicable for Table 35 and Table 36.

For Table 37, the channel status byte definitions are dependent on the transmission mode, either Professional or Consumer. Bit 0 of Byte 0 defines the transmission mode, 0 for Consumer mode, and 1 for Professional mode. In Professional mode, Byte 23 for each channel is reserved for CRC data, which is automatically calculated and encoded by the DIT. There is no requirement to program Byte 23 for either channel in Professional mode.

Table 35. DIR Channel Status Data Buffer Map (Register Page 1)

| ADDRESS (Hex) | CHANNEL | BYTE | BIT 0 (MSB) | BIT 1 | BIT 2 | BIT 3 | BIT 4 | BIT 5 | BIT 6 | BIT 7 |
|---------------|---------|------|-------------|-------|-------|-------|-------|-------|-------|-------|
| 0 | 1 | 0 | D0 | D1 | D2 | D3 | D4 | D5 | D6 | D7 |
| 1 | 2 | 0 | D0 | D1 | D2 | D3 | D4 | D5 | D6 | D7 |
| 2 | 1 | 1 | D0 | D1 | D2 | D3 | D4 | D5 | D6 | D7 |
| 3 | 2 | 1 | D0 | D1 | D2 | D3 | D4 | D5 | D6 | D7 |
| 4 | 1 | 2 | D0 | D1 | D2 | D3 | D4 | D5 | D6 | D7 |
| 5 | 2 | 2 | D0 | D1 | D2 | D3 | D4 | D5 | D6 | D7 |
| 6 | 1 | 3 | D0 | D1 | D2 | D3 | D4 | D5 | D6 | D7 |
| 7 | 2 | 3 | D0 | D1 | D2 | D3 | D4 | D5 | D6 | D7 |
| 8 | 1 | 4 | D0 | D1 | D2 | D3 | D4 | D5 | D6 | D7 |
| 9 | 2 | 4 | D0 | D1 | D2 | D3 | D4 | D5 | D6 | D7 |
| A | 1 | 5 | D0 | D1 | D2 | D3 | D4 | D5 | D6 | D7 |
| B | 2 | 5 | D0 | D1 | D2 | D3 | D4 | D5 | D6 | D7 |
| C | 1 | 6 | D0 | D1 | D2 | D3 | D4 | D5 | D6 | D7 |
| D | 2 | 6 | D0 | D1 | D2 | D3 | D4 | D5 | D6 | D7 |
| E | 1 | 7 | D0 | D1 | D2 | D3 | D4 | D5 | D6 | D7 |
| F | 2 | 7 | D0 | D1 | D2 | D3 | D4 | D5 | D6 | D7 |
| 10 | 1 | 8 | D0 | D1 | D2 | D3 | D4 | D5 | D6 | D7 |
| 11 | 2 | 8 | D0 | D1 | D2 | D3 | D4 | D5 | D6 | D7 |
| 12 | 1 | 9 | D0 | D1 | D2 | D3 | D4 | D5 | D6 | D7 |
| 13 | 2 | 9 | D0 | D1 | D2 | D3 | D4 | D5 | D6 | D7 |
| 14 | 1 | 10 | D0 | D1 | D2 | D3 | D4 | D5 | D6 | D7 |
| 15 | 2 | 10 | D0 | D1 | D2 | D3 | D4 | D5 | D6 | D7 |
| 16 | 1 | 11 | D0 | D1 | D2 | D3 | D4 | D5 | D6 | D7 |
| 17 | 2 | 11 | D0 | D1 | D2 | D3 | D4 | D5 | D6 | D7 |
| 18 | 1 | 12 | D0 | D1 | D2 | D3 | D4 | D5 | D6 | D7 |
| 19 | 2 | 12 | D0 | D1 | D2 | D3 | D4 | D5 | D6 | D7 |
| 1A | 1 | 13 | D0 | D1 | D2 | D3 | D4 | D5 | D6 | D7 |
| 1B | 2 | 13 | D0 | D1 | D2 | D3 | D4 | D5 | D6 | D7 |
| 1C | 1 | 14 | D0 | D1 | D2 | D3 | D4 | D5 | D6 | D7 |
| 1D | 2 | 14 | D0 | D1 | D2 | D3 | D4 | D5 | D6 | D7 |
| 1E | 1 | 15 | D0 | D1 | D2 | D3 | D4 | D5 | D6 | D7 |
| 1F | 2 | 15 | D0 | D1 | D2 | D3 | D4 | D5 | D6 | D7 |
| 20 | 1 | 16 | D0 | D1 | D2 | D3 | D4 | D5 | D6 | D7 |
| 21 | 2 | 16 | D0 | D1 | D2 | D3 | D4 | D5 | D6 | D7 |
| 22 | 1 | 17 | D0 | D1 | D2 | D3 | D4 | D5 | D6 | D7 |
| 23 | 2 | 17 | D0 | D1 | D2 | D3 | D4 | D5 | D6 | D7 |
| 24 | 1 | 18 | D0 | D1 | D2 | D3 | D4 | D5 | D6 | D7 |
| 25 | 2 | 18 | D0 | D1 | D2 | D3 | D4 | D5 | D6 | D7 |
| 26 | 1 | 19 | D0 | D1 | D2 | D3 | D4 | D5 | D6 | D7 |
| 27 | 2 | 19 | D0 | D1 | D2 | D3 | D4 | D5 | D6 | D7 |
| 28 | 1 | 20 | D0 | D1 | D2 | D3 | D4 | D5 | D6 | D7 |
| 29 | 2 | 20 | D0 | D1 | D2 | D3 | D4 | D5 | D6 | D7 |
| 2A | 1 | 21 | D0 | D1 | D2 | D3 | D4 | D5 | D6 | D7 |
| 2B | 2 | 21 | D0 | D1 | D2 | D3 | D4 | D5 | D6 | D7 |
| 2C | 1 | 22 | D0 | D1 | D2 | D3 | D4 | D5 | D6 | D7 |
| 2D | 2 | 22 | D0 | D1 | D2 | D3 | D4 | D5 | D6 | D7 |
| 2E | 1 | 23 | D0 | D1 | D2 | D3 | D4 | D5 | D6 | D7 |
| 2F | 2 | 23 | D0 | D1 | D2 | D3 | D4 | D5 | D6 | D7 |

Table 36. DIR User Data Buffer Map (Register Page 1)

| ADDRESS (Hex) | CHANNEL | BYTE | BIT 0 (MSB) | BIT 1 | BIT 2 | BIT 3 | BIT 4 | BIT 5 | BIT 6 | BIT 7 |
|---------------|---------|------|-------------|-------|-------|-------|-------|-------|-------|-------|
| 40 | 1 | 0 | D0 | D1 | D2 | D3 | D4 | D5 | D6 | D7 |
| 41 | 2 | 0 | D0 | D1 | D2 | D3 | D4 | D5 | D6 | D7 |
| 42 | 1 | 1 | D0 | D1 | D2 | D3 | D4 | D5 | D6 | D7 |
| 43 | 2 | 1 | D0 | D1 | D2 | D3 | D4 | D5 | D6 | D7 |
| 44 | 1 | 2 | D0 | D1 | D2 | D3 | D4 | D5 | D6 | D7 |
| 45 | 2 | 2 | D0 | D1 | D2 | D3 | D4 | D5 | D6 | D7 |
| 46 | 1 | 3 | D0 | D1 | D2 | D3 | D4 | D5 | D6 | D7 |
| 47 | 2 | 3 | D0 | D1 | D2 | D3 | D4 | D5 | D6 | D7 |
| 48 | 1 | 4 | D0 | D1 | D2 | D3 | D4 | D5 | D6 | D7 |
| 49 | 2 | 4 | D0 | D1 | D2 | D3 | D4 | D5 | D6 | D7 |
| 4A | 1 | 5 | D0 | D1 | D2 | D3 | D4 | D5 | D6 | D7 |
| 4B | 2 | 5 | D0 | D1 | D2 | D3 | D4 | D5 | D6 | D7 |
| 4C | 1 | 6 | D0 | D1 | D2 | D3 | D4 | D5 | D6 | D7 |
| 4D | 2 | 6 | D0 | D1 | D2 | D3 | D4 | D5 | D6 | D7 |
| 4E | 1 | 7 | D0 | D1 | D2 | D3 | D4 | D5 | D6 | D7 |
| 4F | 2 | 7 | D0 | D1 | D2 | D3 | D4 | D5 | D6 | D7 |
| 50 | 1 | 8 | D0 | D1 | D2 | D3 | D4 | D5 | D6 | D7 |
| 51 | 2 | 8 | D0 | D1 | D2 | D3 | D4 | D5 | D6 | D7 |
| 52 | 1 | 9 | D0 | D1 | D2 | D3 | D4 | D5 | D6 | D7 |
| 53 | 2 | 9 | D0 | D1 | D2 | D3 | D4 | D5 | D6 | D7 |
| 54 | 1 | 10 | D0 | D1 | D2 | D3 | D4 | D5 | D6 | D7 |
| 55 | 2 | 10 | D0 | D1 | D2 | D3 | D4 | D5 | D6 | D7 |
| 56 | 1 | 11 | D0 | D1 | D2 | D3 | D4 | D5 | D6 | D7 |
| 57 | 2 | 11 | D0 | D1 | D2 | D3 | D4 | D5 | D6 | D7 |
| 58 | 1 | 12 | D0 | D1 | D2 | D3 | D4 | D5 | D6 | D7 |
| 59 | 2 | 12 | D0 | D1 | D2 | D3 | D4 | D5 | D6 | D7 |
| 5A | 1 | 13 | D0 | D1 | D2 | D3 | D4 | D5 | D6 | D7 |
| 5B | 2 | 13 | D0 | D1 | D2 | D3 | D4 | D5 | D6 | D7 |
| 5C | 1 | 14 | D0 | D1 | D2 | D3 | D4 | D5 | D6 | D7 |
| 5D | 2 | 14 | D0 | D1 | D2 | D3 | D4 | D5 | D6 | D7 |
| 5E | 1 | 15 | D0 | D1 | D2 | D3 | D4 | D5 | D6 | D7 |
| 5F | 2 | 15 | D0 | D1 | D2 | D3 | D4 | D5 | D6 | D7 |
| 60 | 1 | 16 | D0 | D1 | D2 | D3 | D4 | D5 | D6 | D7 |
| 61 | 2 | 16 | D0 | D1 | D2 | D3 | D4 | D5 | D6 | D7 |
| 62 | 1 | 17 | D0 | D1 | D2 | D3 | D4 | D5 | D6 | D7 |
| 63 | 2 | 17 | D0 | D1 | D2 | D3 | D4 | D5 | D6 | D7 |
| 64 | 1 | 18 | D0 | D1 | D2 | D3 | D4 | D5 | D6 | D7 |
| 65 | 2 | 18 | D0 | D1 | D2 | D3 | D4 | D5 | D6 | D7 |
| 66 | 1 | 19 | D0 | D1 | D2 | D3 | D4 | D5 | D6 | D7 |
| 67 | 2 | 19 | D0 | D1 | D2 | D3 | D4 | D5 | D6 | D7 |
| 68 | 1 | 20 | D0 | D1 | D2 | D3 | D4 | D5 | D6 | D7 |
| 69 | 2 | 20 | D0 | D1 | D2 | D3 | D4 | D5 | D6 | D7 |
| 6A | 1 | 21 | D0 | D1 | D2 | D3 | D4 | D5 | D6 | D7 |
| 6B | 2 | 21 | D0 | D1 | D2 | D3 | D4 | D5 | D6 | D7 |
| 6C | 1 | 22 | D0 | D1 | D2 | D3 | D4 | D5 | D6 | D7 |
| 6D | 2 | 22 | D0 | D1 | D2 | D3 | D4 | D5 | D6 | D7 |
| 6E | 1 | 23 | D0 | D1 | D2 | D3 | D4 | D5 | D6 | D7 |
| 6F | 2 | 23 | D0 | D1 | D2 | D3 | D4 | D5 | D6 | D7 |

Table 37. DIT Channel Status Data Buffer Map (Register Page 2)

| ADDRESS (Hex) | CHANNEL | BYTE | BIT 0 (MSB) | BIT 1 | BIT 2 | BIT 3 | BIT 4 | BIT 5 | BIT 6 | BIT 7 |
|---------------|---------|------|-------------|-------|-------|-------|-------|-------|-------|-------|
| 0 | 1 | 0 | D0 | D1 | D2 | D3 | D4 | D5 | D6 | D7 |
| 1 | 2 | 0 | D0 | D1 | D2 | D3 | D4 | D5 | D6 | D7 |
| 2 | 1 | 1 | D0 | D1 | D2 | D3 | D4 | D5 | D6 | D7 |
| 3 | 2 | 1 | D0 | D1 | D2 | D3 | D4 | D5 | D6 | D7 |
| 4 | 1 | 2 | D0 | D1 | D2 | D3 | D4 | D5 | D6 | D7 |
| 5 | 2 | 2 | D0 | D1 | D2 | D3 | D4 | D5 | D6 | D7 |
| 6 | 1 | 3 | D0 | D1 | D2 | D3 | D4 | D5 | D6 | D7 |
| 7 | 2 | 3 | D0 | D1 | D2 | D3 | D4 | D5 | D6 | D7 |
| 8 | 1 | 4 | D0 | D1 | D2 | D3 | D4 | D5 | D6 | D7 |
| 9 | 2 | 4 | D0 | D1 | D2 | D3 | D4 | D5 | D6 | D7 |
| A | 1 | 5 | D0 | D1 | D2 | D3 | D4 | D5 | D6 | D7 |
| B | 2 | 5 | D0 | D1 | D2 | D3 | D4 | D5 | D6 | D7 |
| C | 1 | 6 | D0 | D1 | D2 | D3 | D4 | D5 | D6 | D7 |
| D | 2 | 6 | D0 | D1 | D2 | D3 | D4 | D5 | D6 | D7 |
| E | 1 | 7 | D0 | D1 | D2 | D3 | D4 | D5 | D6 | D7 |
| F | 2 | 7 | D0 | D1 | D2 | D3 | D4 | D5 | D6 | D7 |
| 10 | 1 | 8 | D0 | D1 | D2 | D3 | D4 | D5 | D6 | D7 |
| 11 | 2 | 8 | D0 | D1 | D2 | D3 | D4 | D5 | D6 | D7 |
| 12 | 1 | 9 | D0 | D1 | D2 | D3 | D4 | D5 | D6 | D7 |
| 13 | 2 | 9 | D0 | D1 | D2 | D3 | D4 | D5 | D6 | D7 |
| 14 | 1 | 10 | D0 | D1 | D2 | D3 | D4 | D5 | D6 | D7 |
| 15 | 2 | 10 | D0 | D1 | D2 | D3 | D4 | D5 | D6 | D7 |
| 16 | 1 | 11 | D0 | D1 | D2 | D3 | D4 | D5 | D6 | D7 |
| 17 | 2 | 11 | D0 | D1 | D2 | D3 | D4 | D5 | D6 | D7 |
| 18 | 1 | 12 | D0 | D1 | D2 | D3 | D4 | D5 | D6 | D7 |
| 19 | 2 | 12 | D0 | D1 | D2 | D3 | D4 | D5 | D6 | D7 |
| 1A | 1 | 13 | D0 | D1 | D2 | D3 | D4 | D5 | D6 | D7 |
| 1B | 2 | 13 | D0 | D1 | D2 | D3 | D4 | D5 | D6 | D7 |
| 1C | 1 | 14 | D0 | D1 | D2 | D3 | D4 | D5 | D6 | D7 |
| 1D | 2 | 14 | D0 | D1 | D2 | D3 | D4 | D5 | D6 | D7 |
| 1E | 1 | 15 | D0 | D1 | D2 | D3 | D4 | D5 | D6 | D7 |
| 1F | 2 | 15 | D0 | D1 | D2 | D3 | D4 | D5 | D6 | D7 |
| 20 | 1 | 16 | D0 | D1 | D2 | D3 | D4 | D5 | D6 | D7 |
| 21 | 2 | 16 | D0 | D1 | D2 | D3 | D4 | D5 | D6 | D7 |
| 22 | 1 | 17 | D0 | D1 | D2 | D3 | D4 | D5 | D6 | D7 |
| 23 | 2 | 17 | D0 | D1 | D2 | D3 | D4 | D5 | D6 | D7 |
| 24 | 1 | 18 | D0 | D1 | D2 | D3 | D4 | D5 | D6 | D7 |
| 25 | 2 | 18 | D0 | D1 | D2 | D3 | D4 | D5 | D6 | D7 |
| 26 | 1 | 19 | D0 | D1 | D2 | D3 | D4 | D5 | D6 | D7 |
| 27 | 2 | 19 | D0 | D1 | D2 | D3 | D4 | D5 | D6 | D7 |
| 28 | 1 | 20 | D0 | D1 | D2 | D3 | D4 | D5 | D6 | D7 |
| 29 | 2 | 20 | D0 | D1 | D2 | D3 | D4 | D5 | D6 | D7 |
| 2A | 1 | 21 | D0 | D1 | D2 | D3 | D4 | D5 | D6 | D7 |
| 2B | 2 | 21 | D0 | D1 | D2 | D3 | D4 | D5 | D6 | D7 |
| 2C | 1 | 22 | D0 | D1 | D2 | D3 | D4 | D5 | D6 | D7 |
| 2D | 2 | 22 | D0 | D1 | D2 | D3 | D4 | D5 | D6 | D7 |
| 2E | 1 | 23 | D0 | D1 | D2 | D3 | D4 | D5 | D6 | D7 |
| 2F | 2 | 23 | D0 | D1 | D2 | D3 | D4 | D5 | D6 | D7 |

Table 38. DIT User Data Buffer Map (Register Page 2)

| ADDRESS (Hex) | CHANNEL | BYTE | BIT 0 (MSB) | BIT 1 | BIT 2 | BIT 3 | BIT 4 | BIT 5 | BIT 6 | BIT 7 |
|---------------|---------|------|-------------|-------|-------|-------|-------|-------|-------|-------|
| 40 | 1 | 0 | D0 | D1 | D2 | D3 | D4 | D5 | D6 | D7 |
| 41 | 2 | 0 | D0 | D1 | D2 | D3 | D4 | D5 | D6 | D7 |
| 42 | 1 | 1 | D0 | D1 | D2 | D3 | D4 | D5 | D6 | D7 |
| 43 | 2 | 1 | D0 | D1 | D2 | D3 | D4 | D5 | D6 | D7 |
| 44 | 1 | 2 | D0 | D1 | D2 | D3 | D4 | D5 | D6 | D7 |
| 45 | 2 | 2 | D0 | D1 | D2 | D3 | D4 | D5 | D6 | D7 |
| 46 | 1 | 3 | D0 | D1 | D2 | D3 | D4 | D5 | D6 | D7 |
| 47 | 2 | 3 | D0 | D1 | D2 | D3 | D4 | D5 | D6 | D7 |
| 48 | 1 | 4 | D0 | D1 | D2 | D3 | D4 | D5 | D6 | D7 |
| 49 | 2 | 4 | D0 | D1 | D2 | D3 | D4 | D5 | D6 | D7 |
| 4A | 1 | 5 | D0 | D1 | D2 | D3 | D4 | D5 | D6 | D7 |
| 4B | 2 | 5 | D0 | D1 | D2 | D3 | D4 | D5 | D6 | D7 |
| 4C | 1 | 6 | D0 | D1 | D2 | D3 | D4 | D5 | D6 | D7 |
| 4D | 2 | 6 | D0 | D1 | D2 | D3 | D4 | D5 | D6 | D7 |
| 4E | 1 | 7 | D0 | D1 | D2 | D3 | D4 | D5 | D6 | D7 |
| 4F | 2 | 7 | D0 | D1 | D2 | D3 | D4 | D5 | D6 | D7 |
| 50 | 1 | 8 | D0 | D1 | D2 | D3 | D4 | D5 | D6 | D7 |
| 51 | 2 | 8 | D0 | D1 | D2 | D3 | D4 | D5 | D6 | D7 |
| 52 | 1 | 9 | D0 | D1 | D2 | D3 | D4 | D5 | D6 | D7 |
| 53 | 2 | 9 | D0 | D1 | D2 | D3 | D4 | D5 | D6 | D7 |
| 54 | 1 | 10 | D0 | D1 | D2 | D3 | D4 | D5 | D6 | D7 |
| 55 | 2 | 10 | D0 | D1 | D2 | D3 | D4 | D5 | D6 | D7 |
| 56 | 1 | 11 | D0 | D1 | D2 | D3 | D4 | D5 | D6 | D7 |
| 57 | 2 | 11 | D0 | D1 | D2 | D3 | D4 | D5 | D6 | D7 |
| 58 | 1 | 12 | D0 | D1 | D2 | D3 | D4 | D5 | D6 | D7 |
| 59 | 2 | 12 | D0 | D1 | D2 | D3 | D4 | D5 | D6 | D7 |
| 5A | 1 | 13 | D0 | D1 | D2 | D3 | D4 | D5 | D6 | D7 |
| 5B | 2 | 13 | D0 | D1 | D2 | D3 | D4 | D5 | D6 | D7 |
| 5C | 1 | 14 | D0 | D1 | D2 | D3 | D4 | D5 | D6 | D7 |
| 5D | 2 | 14 | D0 | D1 | D2 | D3 | D4 | D5 | D6 | D7 |
| 5E | 1 | 15 | D0 | D1 | D2 | D3 | D4 | D5 | D6 | D7 |
| 5F | 2 | 15 | D0 | D1 | D2 | D3 | D4 | D5 | D6 | D7 |
| 60 | 1 | 16 | D0 | D1 | D2 | D3 | D4 | D5 | D6 | D7 |
| 61 | 2 | 16 | D0 | D1 | D2 | D3 | D4 | D5 | D6 | D7 |
| 62 | 1 | 17 | D0 | D1 | D2 | D3 | D4 | D5 | D6 | D7 |
| 63 | 2 | 17 | D0 | D1 | D2 | D3 | D4 | D5 | D6 | D7 |
| 64 | 1 | 18 | D0 | D1 | D2 | D3 | D4 | D5 | D6 | D7 |
| 65 | 2 | 18 | D0 | D1 | D2 | D3 | D4 | D5 | D6 | D7 |
| 66 | 1 | 19 | D0 | D1 | D2 | D3 | D4 | D5 | D6 | D7 |
| 67 | 2 | 19 | D0 | D1 | D2 | D3 | D4 | D5 | D6 | D7 |
| 68 | 1 | 20 | D0 | D1 | D2 | D3 | D4 | D5 | D6 | D7 |
| 69 | 2 | 20 | D0 | D1 | D2 | D3 | D4 | D5 | D6 | D7 |
| 6A | 1 | 21 | D0 | D1 | D2 | D3 | D4 | D5 | D6 | D7 |
| 6B | 2 | 21 | D0 | D1 | D2 | D3 | D4 | D5 | D6 | D7 |
| 6C | 1 | 22 | D0 | D1 | D2 | D3 | D4 | D5 | D6 | D7 |
| 6D | 2 | 22 | D0 | D1 | D2 | D3 | D4 | D5 | D6 | D7 |
| 6E | 1 | 23 | D0 | D1 | D2 | D3 | D4 | D5 | D6 | D7 |
| 6F | 2 | 23 | D0 | D1 | D2 | D3 | D4 | D5 | D6 | D7 |

10 Application and Implementation

NOTE

Information in the following applications sections is not part of the TI component specification, and TI does not warrant its accuracy or completeness. TI's customers are responsible for determining suitability of components for their purposes. Customers should validate and test their design implementation to confirm system functionality.

10.1 Application Information

Typical application diagrams and power-supply connections are presented in this section to aid the customer in hardware designs employing the DIX4192-Q1 device.

[Figure 69](#) shows typical application connections for the DIX4192-Q1 using an SPI host interface. The SPI host will typically be a microcontroller, digital signal processor, or programmable logic device. In addition to providing the SPI bus master, the host may be used to process interrupt and flag outputs from the DIX4192-Q1. The audio serial ports are connected to external digital audio devices, which may include data converters, digital signal processors, digital audio interface receivers or transmitters, or other logic devices. The DIR inputs and DIT outputs are connected to line, optical, or logic interfaces (see [Receiver Input Interfacing](#) and [Transmitter Output Interfacing](#)). Master and DIR reference clock sources are also shown.

[Figure 70](#) shows typical application connections for the DIX4192-Q1 using an I²C bus interface. The I²C bus master will typically be a microcontroller, digital signal processor, or programmable logic device. In addition to providing the I²C bus master, the host may be used to process interrupt and flag outputs from the DIX4192-Q1. Pullup resistors are connected from SCL (pin 20) and SDA (pin 22) to the VIO supply rail. These resistors are required for the open drain outputs of the I²C interface. All other connections to the DIX4192-Q1 are the same as the SPI host case discussed previously.

[Figure 71](#) shows the recommended power-supply connections and bypassing for the DIX4192-Q1. In this case, it is assumed that the VIO, VDD33, and VCC supplies are powered from the same 3.3-V power source. The VDD18 core supply is powered from a separate supply, or derived from the 3.3-V supply using a linear voltage regulator, as shown with the optional regulator circuitry of [Figure 71](#).

The 0.1- μ F bypass capacitors are surface-mount X7R ceramic, and must be located as close to the device as possible. These capacitors must be connected directly between the supply and corresponding ground pins of the DIX4192-Q1. The ground pin is then connected directly to the ground plane of the printed circuit board (PCB). The larger value capacitors, shown connected in parallel to the 0.1- μ F capacitors, are recommended. At a minimum, there must at least be footprints on the PCB for installation of these larger capacitors, so that experiments can be run with and without the capacitors installed, in order to determine the effect on the measured performance of the DIX4192-Q1. The larger value capacitors can be surface-mount X7R multilayer ceramic or tantalum chip.

The substrate ground, BGND (pin 44), must be connected by a PCB trace to AGND (pin 10). The AGND pin is then connected directly to the ground plane. This connection helps to reduce noise in the DIR section of the device, aiding the overall jitter and noise tolerance for the receiver.

A series resistor is shown between the 3.3-V supply and VCC (pin 9) connection. This resistor combines with the bypass capacitors to create a simple RC filter to remove higher frequency components from the VCC supply. The series resistor must be a metal film type for best filtering characteristics. As a substitute for the resistor, a ferrite bead can be used, although it may have to be physically large in order to contribute to the filtering.

Application Information (continued)

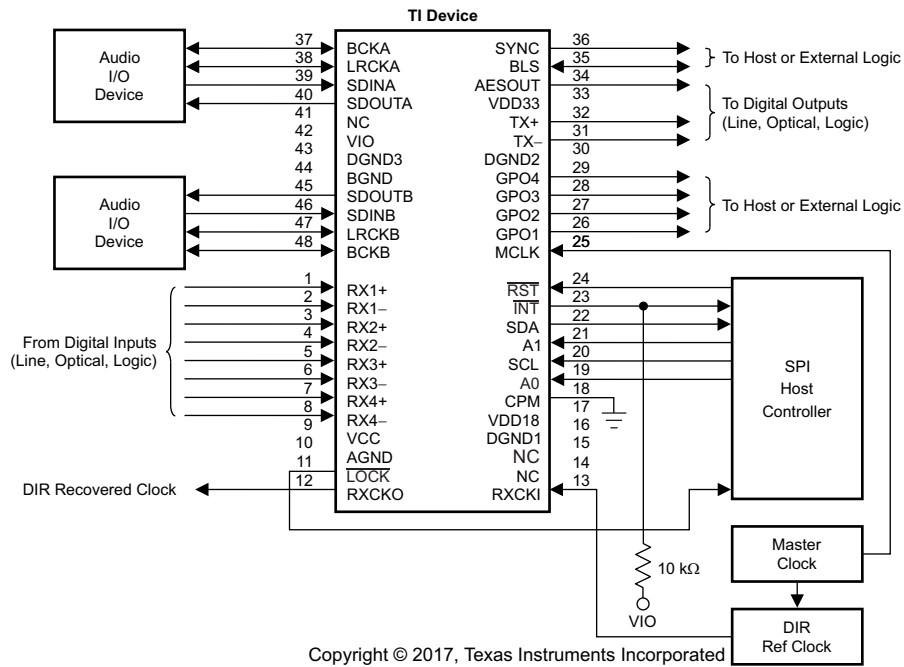


Figure 69. Typical Application Diagram Using SPI Host Interface (See Figure 71 for Power-Supply Connections)

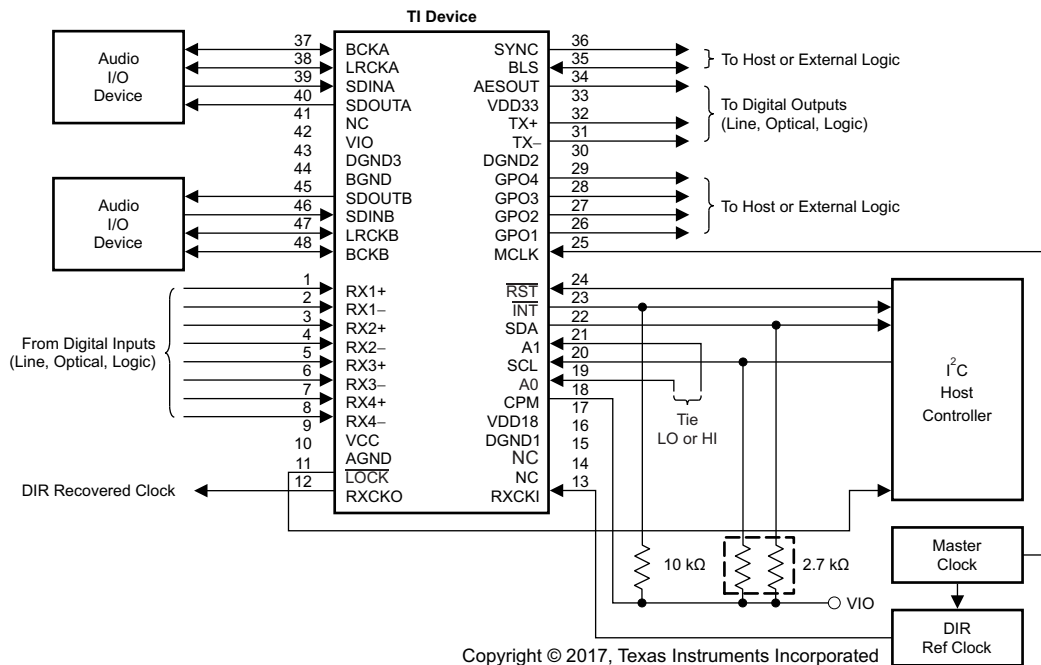


Figure 70. Typical Application Diagram Using I²C Host Interface (See Figure 71 for Power-Supply Connections)

Application Information (continued)

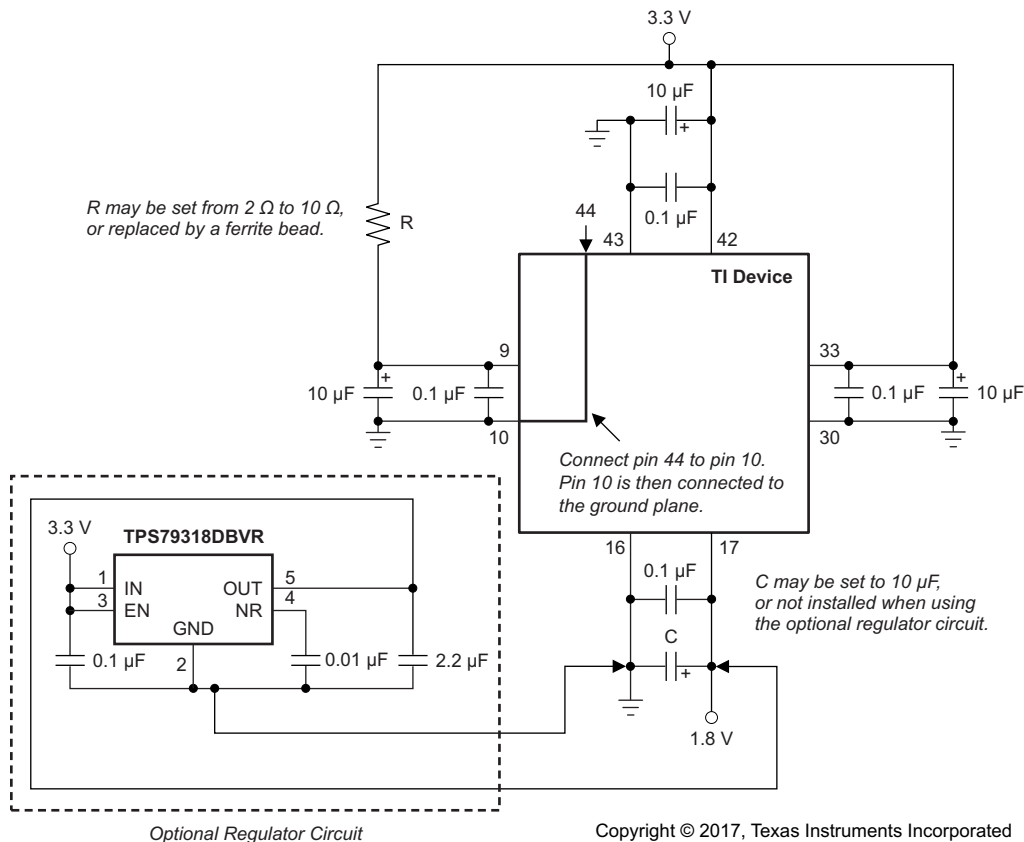


Figure 71. Recommended Power-Supply Connections

10.1.1 Digital Audio Transformer Vendors

Transformers are shown in this data sheet for both receiver and transmitter balanced and unbalanced line interface implementations. For the Texas Instruments Pro Audio evaluation modules, transformers from Scientific Conversion are used. In addition to Scientific Conversion, there are other vendors that offer transformer products for digital audio interface applications. Please refer to the following manufacturer websites for details regarding their products and services. Other transformer vendors may also be available by searching catalog and/or Internet resources.

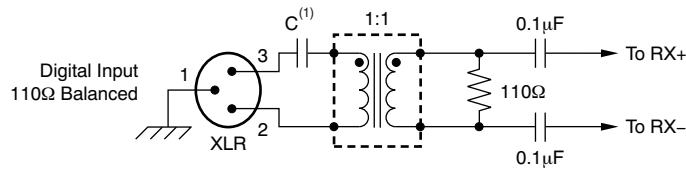
- Scientific Conversion: <http://scientificconversion.com>
- Schott Corporation: <http://schottcorp.com>
- Pulse Engineering: <http://pulseeng.com>

10.1.2 Receiver Input Interfacing

This section details the recommended interfaces for the DIX4192-Q1 line receiver inputs. Balanced and unbalanced line interfaces, in addition to optical receiver and external logic interfacing, are discussed.

For professional digital audio interfaces, 110-Ω balanced line interfaces are either required or preferred. Transformer coupling is commonly employed to provide isolation and to improve common-mode noise rejection. Figure 72 shows the recommended transformer-coupled balanced line receiver interface for the DIX4192-Q1. The transformer is specified for a 1:1 turn ratio, and must exhibit low inter-winding capacitance for best performance. Due to the DC bias on the line receiver inputs, 0.1-µF capacitors are used for AC-coupling the transformer to the line receiver inputs. On the line side of the transformer, an optional 0.1-µF capacitor is shown for cases where a DC bias may be applied at the transmitter side of the connection. The coupling capacitors must be surface-mount ceramic chip type with an X7R or C0G dielectric.

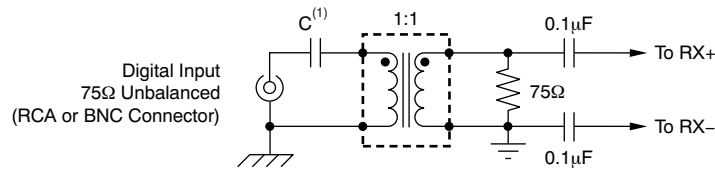
Application Information (continued)



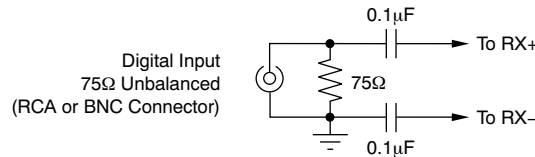
(1) Insert a 0.1μF capacitor when blocking common-mode DC voltage.

Figure 72. Transformer-Coupled Balanced Input Interface

Unbalanced 75-Ω coaxial cable interfaces are commonly employed in consumer and broadcast audio applications. Designs with and without transformer line coupling may be used. Figure 73(a) shows the recommended 75-Ω transformer-coupled line interface, which shares many similarities to the balanced design shown in Figure 72. Once again, the transformer provides isolation and improved noise rejection. Figure 73(b) shows the transformer-free interface, which is commonly used for S/PDIF consumer connections.



(a) Transformer-Coupled Unbalanced Line Interface

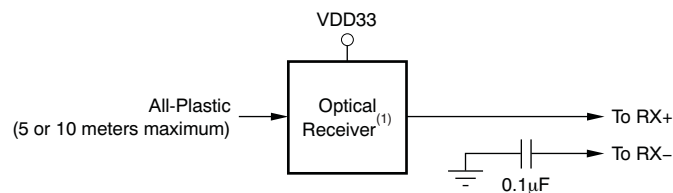


(b) Unbalanced Line Interface Without Transformer

(1) Insert a 0.1μF capacitor when blocking common-mode DC components.

Figure 73. Unbalanced Line Input Interfaces

Optical interfaces using all-plastic fiber are commonly employed for consumer audio equipment where interconnections are less than 10 m in length. Optical receiver modules used for a digital audio interface operate from either a single 3.3-V or 5-V supply and have a TTL-, CMOS-, or low-voltage CMOS-compatible logic output. Interfacing to 3.3-V optical receivers is straightforward when the optical receiver supply is powered from the DIX4192-Q1 VDD33 power source, as shown in Figure 74. For the 5-V optical receivers, the output high logic level may exceed the DIX4192-Q1 line receiver absolute maximum input voltage. A level translator is required, placed between the optical receiver output and the DIX4192-Q1 line receiver input. Figure 75 shows the recommended input circuit when interfacing a 5-V optical receiver to the DIX4192-Q1 line receiver inputs. The Texas Instruments SN74LVC1G125 single buffer IC is operated from the same 3.3-V supply used for DIX4192-Q1 VDD33 supply. This buffer includes a 5-V tolerant digital input, and provides the logic level translation required for the interface.



(1) Toshiba TORX141 or equivalent.

Figure 74. Interfacing to a 3.3-V Optical Receiver Module

Application Information (continued)

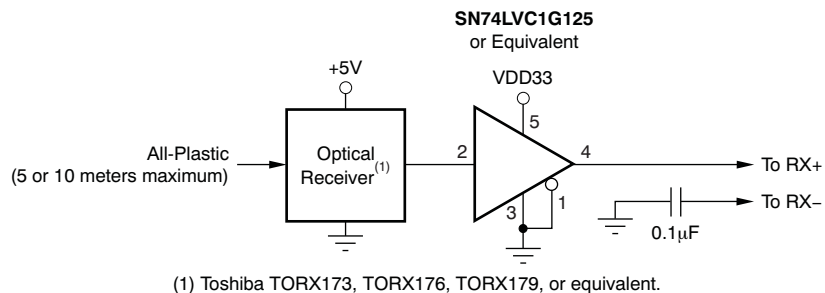


Figure 75. Interfacing to a 5-V Optical Receiver Module

The DIX4192-Q1 line receivers may also be driven directly from external logic or line receiver devices with TTL or CMOS outputs. If the logic driving the line receiver is operated from 3.3 V, then logic level translation will not be required. However, if the external logic is operated from a power-supply voltage that exceeds the maximum VDD33 supply voltage of the DIX4192-Q1, or operates from a supply voltage lower than 3.3 V, then level translation is required. Figure 76 shows the recommended logic level translation methods, using buffers and level translators available from Texas Instruments.

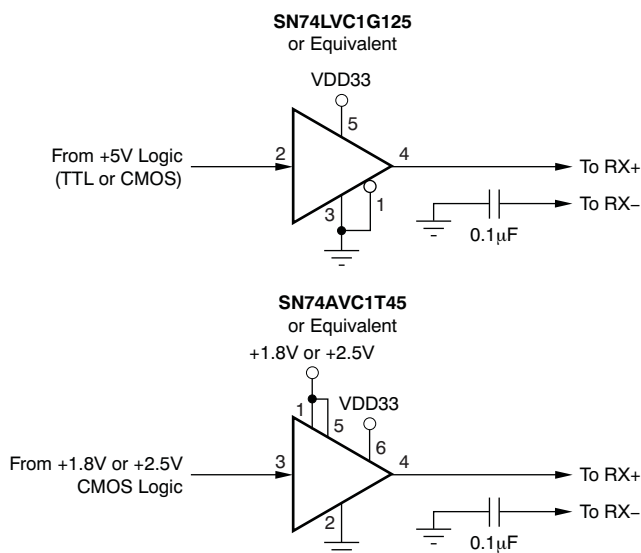
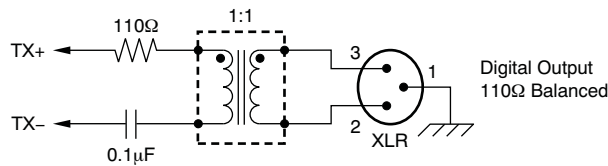


Figure 76. CMOS and TTL Input Logic Interface

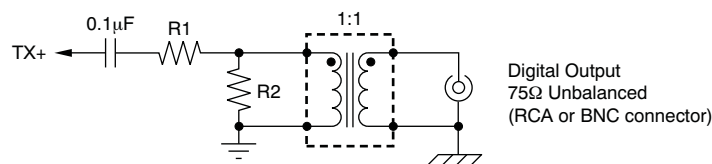
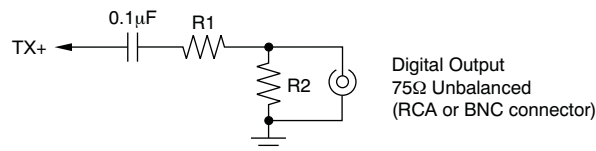
10.1.3 Transmitter Output Interfacing

This section details the recommended interfaces for the DIX4192-Q1 transmitter line driver and CMOS-buffered outputs. Balanced and unbalanced line interfaces, in addition to optical transmitter and external logic interfacing, will be discussed.

For professional digital audio interfaces, 110-Ω balanced line interfaces are either required or preferred. Transformer coupling is commonly employed to provide isolation and to improve common-mode noise performance. Figure 77 shows the recommended transformer-coupled balanced line driver interface for the DIX4192-Q1. The transformer is specified for a 1:1 turn ratio, and must exhibit low inter-winding capacitance for best performance. To eliminate residual DC bias, a 0.1-µF capacitor is used for AC-coupling the transformer to the line driver outputs. The coupling capacitor must be a surface-mount ceramic chip type with an X7R or C0G dielectric.

Application Information (continued)

Figure 77. Transformer-Coupled Balanced Output Interface

Unbalanced 75-Ω coaxial cable interfaces are commonly employed in consumer and broadcast audio applications. Designs with and without transformer line coupling may be used. [Figure 78\(a\)](#) shows the recommended 75-Ω transformer-coupled line driver interface, which shares many similarities to the balanced design shown in [Figure 77](#). [Figure 78\(b\)](#) shows the transformer-free line driver interface, which is commonly used for S/PDIF consumer connections.

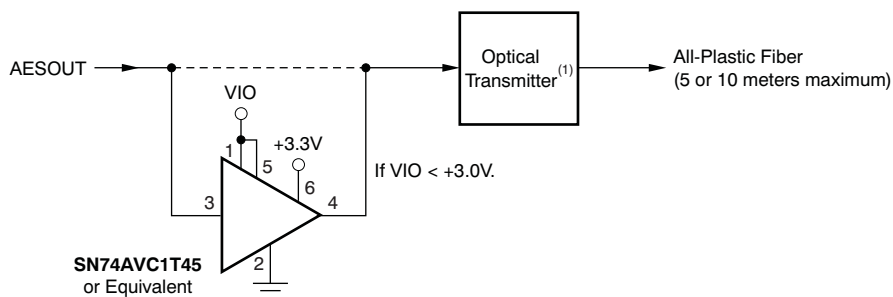

(a) Transformer-Coupled Unbalanced Output

(b) Unbalanced Output Without Transformer

R1 and R2 are selected to achieve the desired output voltage level while maintaining the required 75Ω transmitter output impedance. The TX+ output impedance is negligible.

Figure 78. Unbalanced Line Output Interfaces

Optical interfaces using all-plastic fiber are commonly employed for consumer audio equipment where interconnections are less than 10 m in length. Most optical transmitter modules used for a digital audio interface operate from a single 3.3-V or 5-V supply and have a TTL-compatible logic input. The CMOS-buffered transmitter output of the DIX4192-Q1, AESOUT (pin 34), is capable of driving the optical transmitter with VIO supply voltages down to 3 V. If the VIO supply voltage is less than 3 V, then level translation logic is required to drive the optical transmitter input. A good choice for this application is the Texas Instruments [SN74AVC1T45](#) single bus transceiver. This device features two power-supply rails, one for the input side and one for the output side. For this application, the input side supply is powered from the VIO supply, while the output side is powered from a 3.3-V supply. This configuration will boost the logic high level to a voltage suitable for driving the TTL-compatible input configuration. [Figure 79](#) shows the recommended optical transmitter interface circuits.

Application Information (continued)



(1) Toshiba TOTX141, TOTX173, TOTX176, TOTX179, or equivalent.

Figure 79. Interfacing to an Optical Transmitter Module

The AESOUT output may also be used to drive external logic or line driver devices directly. Figure 80 shows the recommended logic interface techniques, including connections with and without level translation. Figure 81 shows an external line driver interface using the Texas Instruments SN75ALS191 dual differential line driver. If the VIO supply of the DIX4192-Q1 is set from 3 V to 3.3 V, no logic level translation will be required between the AESOUT output and the line driver input. If the VIO supply voltage is below this range, then the optional logic level translation logic of Figure 81 will be required. The SN75ALS191 dual line driver is especially useful in applications where simultaneous 75-Ω and 110-Ω line interfaces are required.

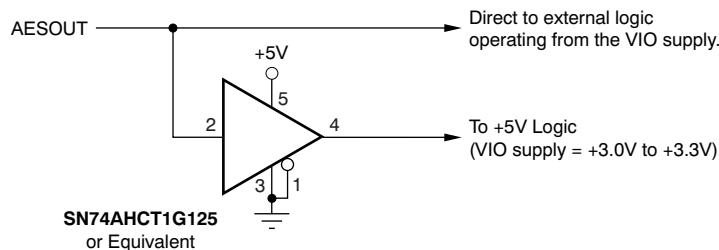


Figure 80. CMOS or TTL Output Logic Interface

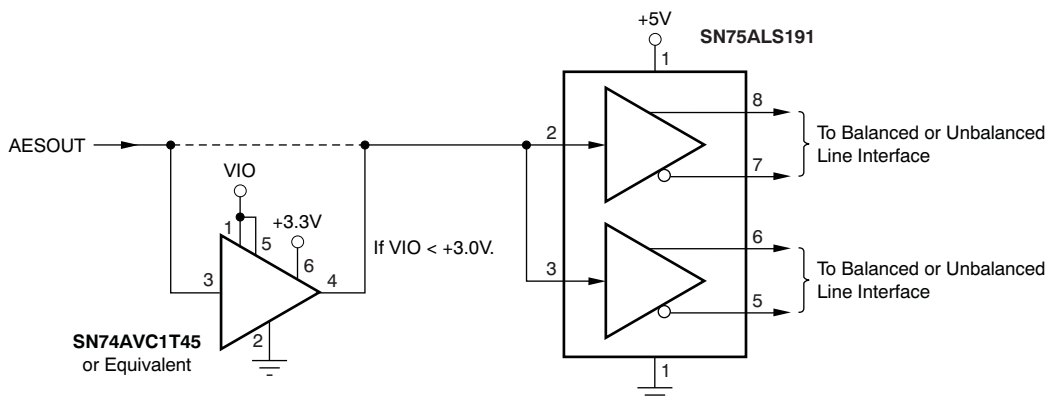


Figure 81. External Line Driver Interface

10.2 Typical Application

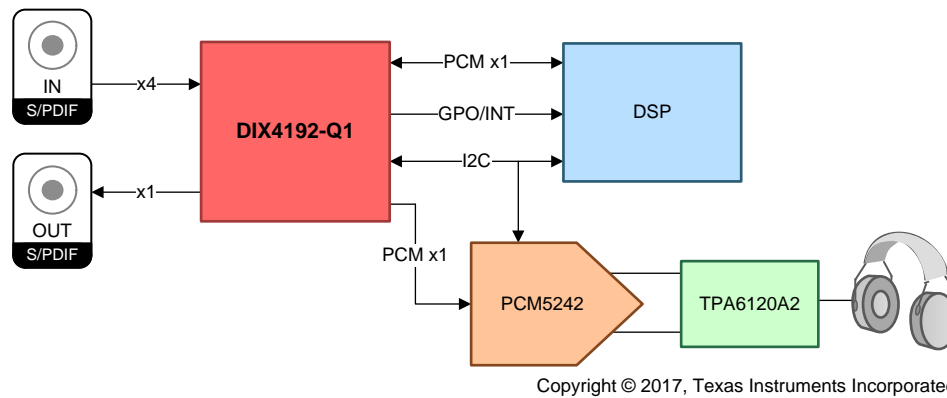


Figure 82. DIX4192-Q1 Typical Application

10.2.1 Design Requirements

For this design example, use the parameters listed in [Table 39](#).

Table 39. Design Parameters

| DESIGN PARAMETER | EXAMPLE VALUE |
|------------------|------------------------------------|
| Audio input | PCM x2, differential S and PDIF x4 |
| Audio output | PCM x2, S and PDIF x4 |
| Control | Host 1 ² C |
| RXCKI or MCLK | 24.576 MHz |

10.2.2 Detailed Design Procedure

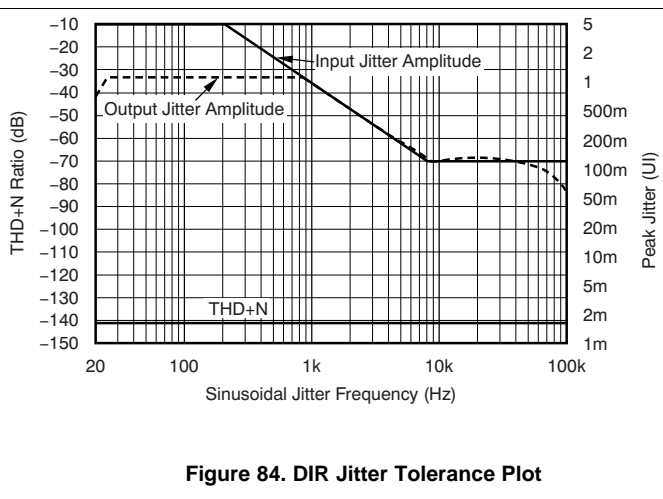
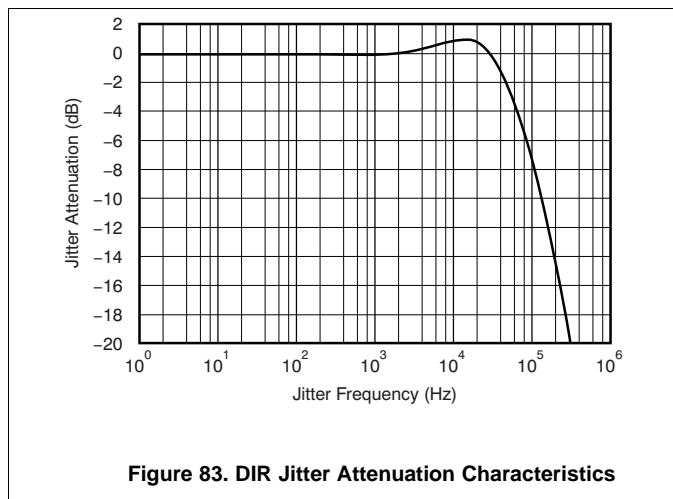
10.2.2.1 Differential Line Inputs and Output

The DIX4192-Q1 has a total of 4 differential Line inputs and one Differential Line output. The 4 inputs are MUXed to one port for decoding and the audio data is sent to the internal bus of the device. The differential line output can choose from either the AES3 encoder or directly from one of the RX inputs. The AES3 encoder can encode either of the serial ports or the DIR itself. User data and channel status data can be updated in registers.

10.2.2.2 Serial Ports

The DIX4192-Q1 has two serial ports which each support both input and output of PCM data. This allows a device to receive data from one of the serial ports and then return audio to the DIX4192-Q1 to be routed to another output of the DIX4192-Q1. For example in this application the DSP can receive audio from the DIX4192-Q1 that was input to the DIX4192-Q1 over S/PDIF, then after processing the DSP can send audio back the DIX4192-Q1 over the same serial port. This processed audio can then be sent back out the S/PDIF transmit port of the DIX4192-Q1 or to the PCM5242 DAC on the other serial port.

10.2.3 Application Curves



11 Power Supply Recommendations

The DIX4192-Q1 requires a 1.8-V and 3.3-V nominal supply rails. At least one 3.3-V supply is required for VCC, VDD33. VIO can operate at 1.8 V or at 3.3 V. VDD18 requires a 1.8-V nominal supply rail. The decoupling capacitors for the power supplies must be placed close to the device terminals.

12 Layout

12.1 Layout Guidelines

TI recommends to use one ground plane for the DIX4192-Q1. While using one ground plane, it is best to ensure that analog and digital circuitry be sufficiently partitioned on the PCB so that analog and digital return currents do not cross.

- Decoupling capacitors must be placed as close to power pins as possible (VCC, VDD33, VDD18, VIO).
- Further guidelines can be found in [Layout Example](#).

12.2 Layout Example

It is recommended to place a top layer ground pour for shielding around PCM9211 and connect to lower main PCB ground plane by multiple vias

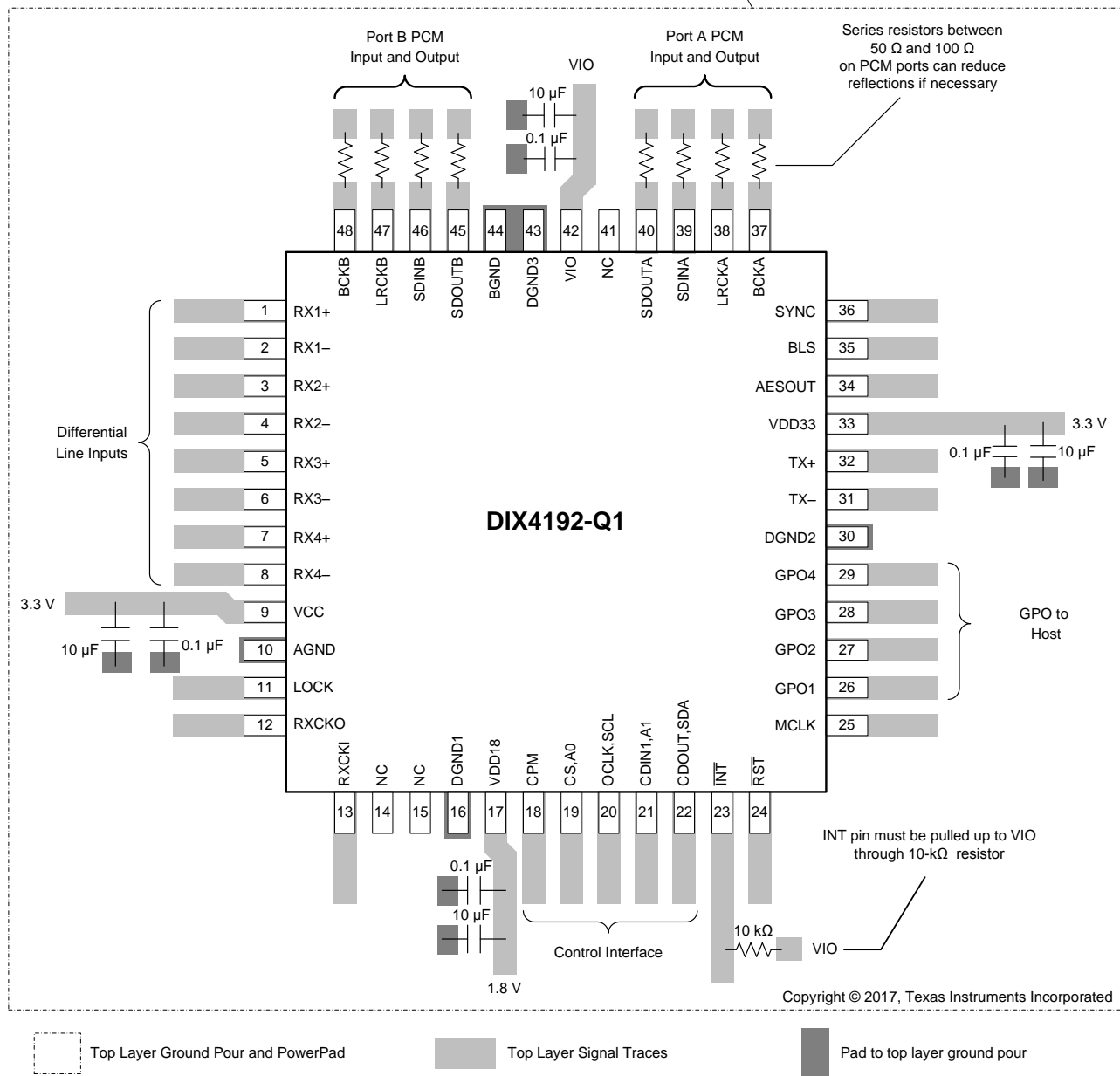


Figure 85. DIX4192-Q1 Board Layout

13 器件和文档支持

13.1 器件支持

13.1.1 Third-Party Products Disclaimer

TI'S PUBLICATION OF INFORMATION REGARDING THIRD-PARTY PRODUCTS OR SERVICES DOES NOT CONSTITUTE AN ENDORSEMENT REGARDING THE SUITABILITY OF SUCH PRODUCTS OR SERVICES OR A WARRANTY, REPRESENTATION OR ENDORSEMENT OF SUCH PRODUCTS OR SERVICES, EITHER ALONE OR IN COMBINATION WITH ANY TI PRODUCT OR SERVICE.

13.1.2 开发支持

相关开发支持请参阅以下文档:

- AES 网站: <http://www.aes.org>
- IEC 网站: <http://www.iec.ch>
- ANSI 网站: <http://www.ansi.org>
- 日本电子与信息技术工业协会 (JEITA) 网站: <http://www.jeita.or.jp/english>
- 飞利浦网站: <http://www.philips.com>
- Scientificconversion 网站: <http://www.scientificconversion.com>
- Schott Magnetics 网站: <http://www.schottcorp.com/>
- Pulse Electronics 网站: <http://www.pulseelectronics.com/>

13.2 文档支持

13.2.1 相关文档

相关文档如下:

- [DIT4096 96kHz 数字音频发送器 \(SBOS225\)](#)
- [DIT4192 192kHz 数字音频发送器 \(SBOS229\)](#)
- [SRC4184 4 通道异步采样率转换器 \(SBFS026\)](#)
- [SRC419x 192kHz 立体声异步采样率转换器 \(SBFS022\)](#)
- [具有三态输出的 SN74LVC1G125 单路总线缓冲器闸 \(SCES223\)](#)
- [具有可配置电压转换和三态输出的 SN74AVC1T45 单比特双电源总线收发器 \(SCES530\)](#)
- [SN75ALS191 双路差动线路驱动器 \(SLLS032\)](#)

13.3 接收文档更新通知

如需接收文档更新通知, 请访问 www.ti.com.cn 网站上的器件产品文件夹。点击右上角的提醒我 (Alert me) 注册后, 即可每周定期收到已更改的产品信息。有关更改的详细信息, 请查阅已修订文档中包含的修订历史记录。

13.4 社区资源

The following links connect to TI community resources. Linked contents are provided "AS IS" by the respective contributors. They do not constitute TI specifications and do not necessarily reflect TI's views; see TI's [Terms of Use](#).

TI E2E™ Online Community *TI's Engineer-to-Engineer (E2E) Community*. Created to foster collaboration among engineers. At e2e.ti.com, you can ask questions, share knowledge, explore ideas and help solve problems with fellow engineers.

Design Support *TI's Design Support* Quickly find helpful E2E forums along with design support tools and contact information for technical support.

13.5 商标

E2E is a trademark of Texas Instruments.
 Dolby is a registered trademark of Dolby Laboratories, Inc.
 SPI is a trademark of Motorola.
 I²S is a trademark of NXP Semiconductors.
 All other trademarks are the property of their respective owners.

13.6 静电放电警告



这些装置包含有限的内置 ESD 保护。存储或装卸时，应将导线一起截短或将装置放置于导电泡棉中，以防止 MOS 门极遭受静电损伤。

13.7 Glossary

[SLYZ022](#) — *TI Glossary*.

This glossary lists and explains terms, acronyms, and definitions.

14 机械、封装和可订购信息

以下页中包括机械、封装和可订购信息。这些信息是针对指定器件可提供的最新数据。这些数据会在无通知且不对本文档进行修订的情况下发生改变。欲获得该数据表的浏览器版本，请查阅左侧的导航栏。

PACKAGING INFORMATION

| Orderable Device | Status (1) | Package Type | Package Drawing | Pins | Package Qty | Eco Plan (2) | Lead finish/ Ball material (6) | MSL Peak Temp (3) | Op Temp (°C) | Device Marking (4/5) | Samples |
|------------------|---------------|--------------|-----------------|------|-------------|-----------------|--------------------------------------|----------------------|--------------|-------------------------|-------------------------|
| DIX4192IPFBRQ1 | ACTIVE | TQFP | PFB | 48 | 1000 | RoHS & Green | NIPDAU | Level-2-260C-1 YEAR | -40 to 85 | DIX4192I | Samples |
| DIX4192TPFBRQ1 | ACTIVE | TQFP | PFB | 48 | 1000 | RoHS & Green | NIPDAU | Level-2-260C-1 YEAR | -40 to 105 | DIX4192T | Samples |

(1) The marketing status values are defined as follows:

ACTIVE: Product device recommended for new designs.

LIFEBUY: TI has announced that the device will be discontinued, and a lifetime-buy period is in effect.

NRND: Not recommended for new designs. Device is in production to support existing customers, but TI does not recommend using this part in a new design.

PREVIEW: Device has been announced but is not in production. Samples may or may not be available.

OBSELETE: TI has discontinued the production of the device.

(2) **RoHS:** TI defines "RoHS" to mean semiconductor products that are compliant with the current EU RoHS requirements for all 10 RoHS substances, including the requirement that RoHS substance do not exceed 0.1% by weight in homogeneous materials. Where designed to be soldered at high temperatures, "RoHS" products are suitable for use in specified lead-free processes. TI may reference these types of products as "Pb-Free".

RoHS Exempt: TI defines "RoHS Exempt" to mean products that contain lead but are compliant with EU RoHS pursuant to a specific EU RoHS exemption.

Green: TI defines "Green" to mean the content of Chlorine (Cl) and Bromine (Br) based flame retardants meet JS709B low halogen requirements of <=1000ppm threshold. Antimony trioxide based flame retardants must also meet the <=1000ppm threshold requirement.

(3) MSL, Peak Temp. - The Moisture Sensitivity Level rating according to the JEDEC industry standard classifications, and peak solder temperature.

(4) There may be additional marking, which relates to the logo, the lot trace code information, or the environmental category on the device.

(5) Multiple Device Markings will be inside parentheses. Only one Device Marking contained in parentheses and separated by a "~" will appear on a device. If a line is indented then it is a continuation of the previous line and the two combined represent the entire Device Marking for that device.

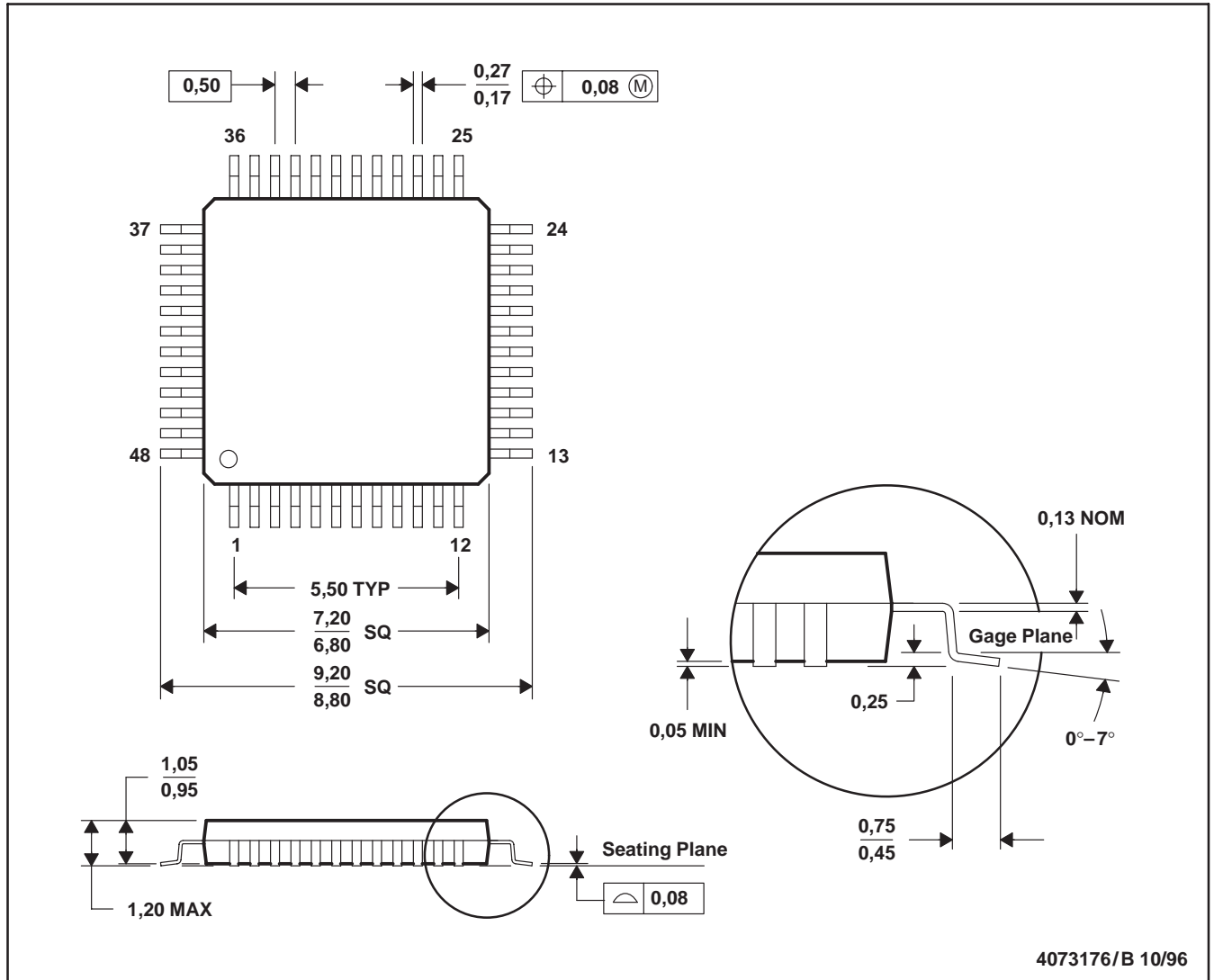
(6) Lead finish/Ball material - Orderable Devices may have multiple material finish options. Finish options are separated by a vertical ruled line. Lead finish/Ball material values may wrap to two lines if the finish value exceeds the maximum column width.

Important Information and Disclaimer:The information provided on this page represents TI's knowledge and belief as of the date that it is provided. TI bases its knowledge and belief on information provided by third parties, and makes no representation or warranty as to the accuracy of such information. Efforts are underway to better integrate information from third parties. TI has taken and continues to take reasonable steps to provide representative and accurate information but may not have conducted destructive testing or chemical analysis on incoming materials and chemicals. TI and TI suppliers consider certain information to be proprietary, and thus CAS numbers and other limited information may not be available for release.

In no event shall TI's liability arising out of such information exceed the total purchase price of the TI part(s) at issue in this document sold by TI to Customer on an annual basis.

PFB (S-PQFP-G48)

PLASTIC QUAD FLATPACK



- NOTES: A. All linear dimensions are in millimeters.
 B. This drawing is subject to change without notice.
 C. Falls within JEDEC MS-026

PFB (S-PQFP-G48)



- NOTES:
- A. All linear dimensions are in millimeters.
 - B. This drawing is subject to change without notice.
 - C. Publication IPC-7351 is recommended for alternate designs.
 - D. Laser cutting apertures with trapezoidal walls and also rounding corners will offer better paste release. Customers should contact their board assembly site for stencil design recommendations. Refer to IPC-7525.
 - E. Customers should contact their board fabrication site for solder mask tolerances between and around signal pads.

重要声明和免责声明

TI“按原样”提供技术和可靠性数据（包括数据表）、设计资源（包括参考设计）、应用或其他设计建议、网络工具、安全信息和其他资源，不保证没有瑕疵且不做任何明示或暗示的担保，包括但不限于对适销性、某特定用途方面的适用性或不侵犯任何第三方知识产权的暗示担保。

这些资源可供使用 TI 产品进行设计的熟练开发人员使用。您将自行承担以下全部责任：(1) 针对您的应用选择合适的 TI 产品，(2) 设计、验证并测试您的应用，(3) 确保您的应用满足相应标准以及任何其他功能安全、信息安全、监管或其他要求。

这些资源如有变更，恕不另行通知。TI 授权您仅可将这些资源用于研发本资源所述的 TI 产品的应用。严禁对这些资源进行其他复制或展示。您无权使用任何其他 TI 知识产权或任何第三方知识产权。您应全额赔偿因在这些资源的使用中对 TI 及其代表造成的任何索赔、损害、成本、损失和债务，TI 对此概不负责。

TI 提供的产品受 [TI 的销售条款](#) 或 [ti.com](#) 上其他适用条款/TI 产品随附的其他适用条款的约束。TI 提供这些资源并不会扩展或以其他方式更改 TI 针对 TI 产品发布的适用的担保或担保免责声明。

TI 反对并拒绝您可能提出的任何其他或不同的条款。

邮寄地址：Texas Instruments, Post Office Box 655303, Dallas, Texas 75265
Copyright © 2021，德州仪器 (TI) 公司