

具有通用输入和输出的 CDCUN1208LP 400MHz 低功耗 2:8 扇出缓冲器

1 特性

- 支持 PCIe 1/2/3 代
- 配置选项（通过引脚或 SPI/I²C）：
 - 输入类型（高速电流驱动能力 (HCSL)，低压差分信号 (LVDS)，低压 COMS (LVCOMS)）
 - 输出类型 (HCSL, LVDS, LVCOMS)
 - 信号边沿速率（慢、中、快）
 - 时钟输入分配值 (/1, /2, /4, /8) - 只适用于 IN2
- 低功耗与电源管理 特性，包括 1.8V 运行和输出使能控制
- 具有集成稳压器，可改进 PSNR
- 卓越的附加抖动性能
 - LVDS 在 100MHz 时具有 200 fs RMS（10kHz 至 20MHz）
 - HCSL 在 100MHz 时具有 160 fs RMS（10kHz 至 20MHz）
- 最大工作频率：
 - 差分模式：高达 400MHz
 - LVCOMS 模式：高达 250MHz
- ESD 保护超过 2kV HBM、500V CDM
- 工业温度范围（-40°C 至 85°C）
- 宽电源范围（1.8V、2.5V 或者 3.3V）

2 应用

- 通信和计算系统
- 工厂自动化和控制
- 医疗成像
- 专业音频、视频和标牌
- 电机驱动器

3 说明

CDCUN1208LP 是一款 2:8 扇出缓冲器，具有宽工作电源电压范围、两个通用差分/单端输入以及具有边沿速率控制的通用输出（HCSL、LVDS 或 LVCMOS）。时钟缓冲器支持 PCIe 1/2/3 代。其中一个器件输入包括可提供 /1、/2、/4 或 /8 分频值的分频器。CDCUN1208LP 采用 32 引脚 QFN 封装，从而减小了解决方案的尺寸。此器件非常灵活并易于使用。某些特定引脚的状态决定了器件在加电时的配置。或者，CDCUN1208LP 提供一个 SPI/I²C 端口，在此端口上有一个主机处理器来控制器件的设置。

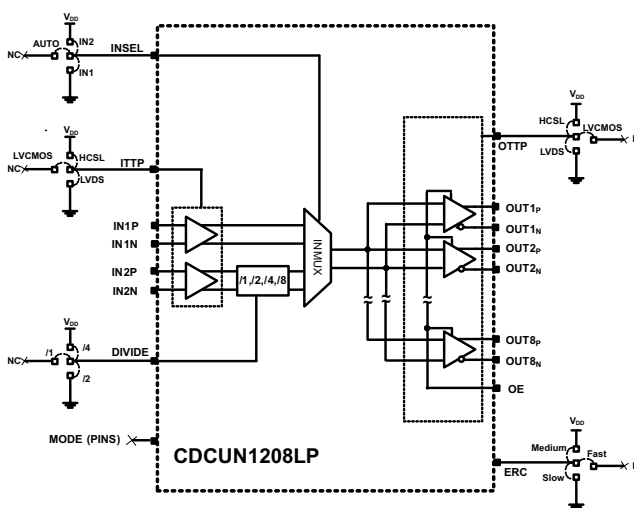
CDCUN1208LP 提供出色的附加抖动性能且功耗很低。输出部分包括四个专用电源引脚，这些引脚能够启用来自不同电源域的输出端口。这一功能使得时钟器件能够在不同的 LVCOMS 电平上切换，而无需外部逻辑电平转换电路。

器件信息⁽¹⁾

器件型号	封装	封装尺寸（标称值）
CDCUN1208LP	VQFN (32)	5.00mm x 5.00mm

(1) 如需了解所有可用封装，请参阅产品说明书末尾的可订购产品附录。

引脚配置概述



Copyright © 2017, Texas Instruments Incorporated



目录

1	特性	1	8	Detailed Description	22
2	应用	1	8.1	Overview	22
3	说明	1	8.2	Functional Block Diagrams	22
4	修订历史记录	2	8.3	Feature Description	23
5	Pin Configuration and Functions	4	8.4	Device Functional Modes	28
6	Specifications	6	8.5	Programming	30
6.1	Absolute Maximum Ratings	6	8.6	Register Maps	37
6.2	ESD Ratings	6	9	Application and Implementation	39
6.3	Recommended Operating Conditions	6	9.1	Application Information	39
6.4	Thermal Information	7	9.2	Typical Application	39
6.5	Digital Input Electrical Characteristics – OE (SCL), INSEL, ITTP, OTTP, Divide (SDA/MOSI), ERC(ADDR/CS), Mode	7	9.3	Systems Examples	41
6.6	Universal Input (IN1, IN2) Characteristics	8	10	Power Supply Recommendations	42
6.7	Clock Output Buffer Characteristics (Output Mode = LVDS)	9	10.1	CDCUN1208LP Power Consumption	42
6.8	Clock Output Buffer Characteristics (Output Mode = HCSL)	10	10.2	Device Power Supply Connections and Sequencing	42
6.9	Clock Output Buffer Electrical Characteristics (Output Mode = LVCMOS)	11	10.3	Device Inputs (IN1, IN2)	43
6.10	Clock Output Buffer Electrical Characteristics (Output Mode = LVCMOS) (Continued)	12	11	Layout	44
6.11	Clock Output Buffer Electrical Characteristics (Output Mode = LVCMOS) (Continued)	13	11.1	Layout Guidelines	44
6.12	Typical Characteristics	16	11.2	Layout Example	44
7	Parameter Measurement Information	18	12	器件和文档支持	45
7.1	Test Configurations	18	12.1	接收文档更新通知	45
			12.2	社区资源	45
			12.3	商标	45
			12.4	静电放电警告	45
			12.5	术语表	45
			13	机械、封装和可订购信息	45

4 修订历史记录

注：之前版本的页码可能与当前版本有所不同。

Changes from Revision C (March 2017) to Revision D	Page
• 已更改 应用 列表	1
• Added type descriptions to the <i>Pin Functions</i> table	4
• Changed input voltage maximum from: $V_{DDx} + 0.5$ to: $V_{DD} + 0.5$ in the <i>Absolute Maximum Ratings</i> table	6
• Added the junction temperature range to the <i>Absolute Maximum Ratings</i> table	6
• Changed the output current unit from mA °C to mA and moved the °C unit to the storage temperature parameter in the <i>Absolute Maximum Ratings</i> table	6
• Added note on V_{DD} and V_{DDOx} supply voltages	6
• Added text "Pull ADDR to GND for I2C communication" to the <i>CDCUN1208LP Host Configuration Pins</i> table	29
• Changed <i>SPI Message Format</i> graphic to correct SCS timing.	30
• Changed <i>CDCUN1208LP Device Addressing - SPI Mode</i> graphic to correct SCS timing.	30
• Changed <i>SPI Timing Diagram</i> graphic to correct SDI	31
• Changed t_3 in <i>SPI Timing Specifications</i> table to "SDI to SCL hold time"	32
• Changed t_8 in <i>SPI Timing Specifications</i> table to "SCL falling edge to SCS release time"	32
• Changed I ² C address to 7b'0101000 in <i>CDCUN1208LP I²C Message - Addressing</i> graphic	34
• Changed description to reflect that the I ² C address is 7b'0101000 in <i>CDCUN1208LP Device Addressing (I²C Address)</i> section	34
• Added content to the <i>Application Information</i> section	39

Changes from Revision B (July 2013) to Revision C
Page

• 已更改 添加了器件信息表、ESD 额定值表、应用和实施；电源建议；布局；器件和文档支持；机械、封装和可订购信息。	1
• Added $\Delta V/\Delta T^2$ to the <i>Recommended Operating Conditions</i> table.	6
• Added text "note that CDCUN1208LP supports only single-device" to the first paragraph of <i>SPI Communication</i>	30
• Added text "At no time should the clock be toggled while SCS is high. CDCUN1208LP should always be used in single-slave SPI configuration." to <i>Writing to the CDCUN1208LP</i>	31
• Added text "At no time should the clock be toggled while SCS is high. CDCUN1208LP should always be used in single-slave SPI configuration." to <i>Reading From the CDCUN1208LP</i>	31

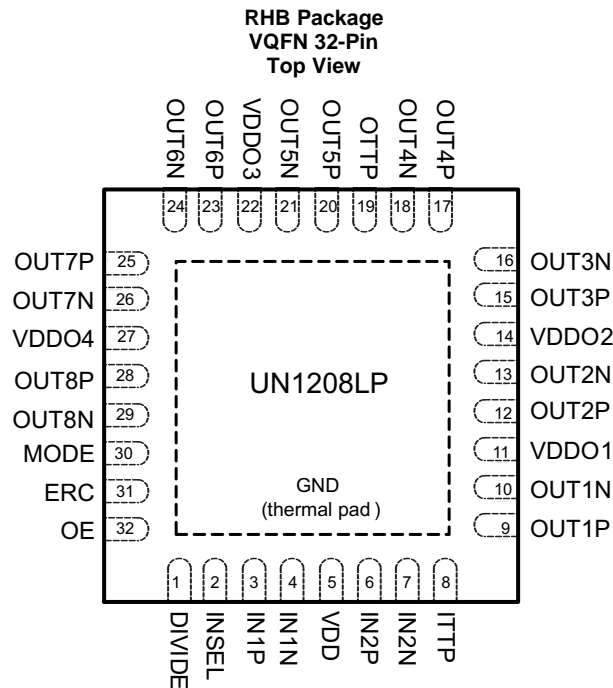
Changes from Revision A (January 2013) to Revision B
Page

• Added slew rate note to Recommended Operating Conditions.	6
• Changed $V_{IOPEN1.8}$ from 0.9 V to 0.75 V in <i>Digital Input Electrical Characteristics – OE (SCL), INSEL, ITTP, OTTP, DIVIDE (SDA/MOSI), ERC(ADDR/CS), Mode</i>	7
• Changed Fast to Medium and Medium to Fast in <i>Figure 28</i>	24

Changes from Original (May 2012) to Revision A
Page

• 添加了特性：100MHz 下实现 160fs RMS (10kHz-20MHz)、HCSL。	1
• 添加了特性：支持 PCIE 1/2/3 代。	1
• 向说明部分添加了“此时钟缓冲器支持 PCIE 1/2/3 代”。	1
• Added text to the Clock Output Buffer Characteristics table: "Supporting PCIe gen1, gen2, gen3."	10
• Changed Table 4 From: DISABLED To: DISABLED in Tri_State	25
• Changed Table 11 From: Disabled To: Disabled in Tri_State for OUTx_PD.	37
• Added text and Figure 41 to the <i>PCI Express Applications</i> section.	39

5 Pin Configuration and Functions



Pin Functions⁽¹⁾

PIN		TYPE	DESCRIPTION
NAME	NO.		
GND	Thermal Pad	Power	Power supply ground and thermal relief
DIVIDE	1	Input	Input divider pin control (HIGH = /4, LOW = /2, OPEN = /1)
INSEL	2	Input	Input multiplexer control
IN1P	3	Input	Universal input 1 – positive terminal
IN1N	4	Input	Universal input 1 – negative terminal, ground if using IN1 in single-ended mode
VDD	5	Power	Device power supply; provides power to the input section and clock distribution section. Use a power supply voltage that corresponds to the switching levels of clock inputs (such as 1.8 V, 2.5 V, or 3.3 V).
IN2P	6	Input	Universal input 2 – positive terminal
IN2N	7	Input	Universal input 2 – negative terminal, ground if using IN2 in single-ended mode
ITTP	8	Input	Input type select (HIGH = HCSL, LOW = LVDS, OPEN = LVCMOS)
OUT1P	9	Output	Output 1 – positive terminal
OUT1N	10	Output	Output 1 – negative terminal
VDDO1	11	Power	Output power supply – OUT1, OUT2
OUT2P	12	Output	Output 2 – positive terminal
OUT2N	13	Output	Output 2 – negative terminal
VDDO2	14	Power	Output power supply – OUT3, OUT4; output bank OUT1 – OUT4 regulator power supply (apply power if any of OUT1 – OUT4 are needed)
OUT3P	15	Output	Output 3 – positive terminal
OUT3N	16	Output	Output 3 – negative terminal
OUT4P	17	Output	Output 4 – positive terminal
OUT4N	18	Output	Output 4 – negative terminal

(1) This pin list applies to operation of the device in pin mode. In host mode, certain pins take on an alternate function, as outlined in [Table 8](#).

Pin Functions⁽¹⁾ (continued)

PIN		TYPE	DESCRIPTION
NAME	NO.		
OTTP	19	Output	Output type select (HIGH = HCSL, LOW = LVDS, OPEN = LVCMOS)
OUT5P	20	Output	Output 5 – positive terminal
OUT5N	21	Output	Output 5 – negative terminal
VDDO3	22	Power	Output power supply - OUT5, OUT6
OUT6P	23	Output	Output 6 – positive terminal
OUT6N	24	Output	Output 6 – negative terminal
OUT7P	25	Output	Output 7 – positive terminal
OUT7N	26	Output	Output 7 – negative terminal
VDDO4	27	Power	Output power supply – OUT7, OUT8 output bank OUT5 – OUT8 regulator power supply (apply power if any of OUT5 – OUT8 are needed)
OUT8P	28	Output	Output 8 – positive terminal
OUT8N	29	Output	Output 8 – negative terminal
MODE	30	Input	Device control mode select OPEN = Device configured through pins (pin mode) HIGH = Device configured through I ² C LOW = Device configured through SPI Note: For information on control through the serial interface (I ² C/ SPI), see Device Control Using the Host Interface section.
ERC	31	Input	Output edge rate control HIGH = Medium, LOW = Slow, OPEN = Fast
OE	32	Input	Device output enable HIGH = Enable, LOW = Disable

6 Specifications

6.1 Absolute Maximum Ratings

over operating free-air temperature range (unless otherwise noted) ⁽¹⁾

		MIN	MAX	UNIT
V _{DDxx}	Supply voltage ⁽²⁾	-0.5	4.6	V
V _{IN}	Input voltage ⁽³⁾	-0.5	V _{DD} + 0.5	V
V _{OUT}	Output voltage ⁽³⁾	-0.5	V _{DDOx} + 0.5	V
I _{IN}	Input current	20		mA
I _{OUT}	Output current	50		mA
T _J	Junction temperature		125	°C
T _{stg}	Storage temperature	-65	150	°C

- (1) Stresses beyond those listed under *Absolute Maximum Ratings* may cause permanent damage to the device. These are stress ratings only and functional operation of the device at these or any other conditions beyond those indicated under *Recommended Operating Conditions* is not implied. Exposure to absolute-maximum-rated conditions for extended periods may affect device reliability.
- (2) All supply voltages must be supplied simultaneously
- (3) The input and output negative voltage ratings may be exceeded if the input and output clamp-current ratings are observed.

6.2 ESD Ratings

		VALUE	UNIT
V _(ESD)	Electrostatic discharge		
	Human body model (HBM), per ANSI/ESDA/JEDEC JS-001 ⁽¹⁾	±2000	V
	Charged device model (CDM), per JEDEC specification JESD22-C101 ⁽²⁾	±500	

- (1) JEDEC document JEP155 states that 500-V HBM allows safe manufacturing with a standard ESD control process.
- (2) JEDEC document JEP157 states that 250-V CDM allows safe manufacturing with a standard ESD control process.

6.3 Recommended Operating Conditions

T_A = -40°C TO 85°C

			MIN	NOM	MAX	UNIT
POWER SUPPLIES ⁽¹⁾⁽²⁾⁽³⁾						
V _{DD}	DC power supply - core	1.8-V mode	1.7	1.8	1.9	V
V _{DDOx}	DC power supply - output	1.8-V mode	1.7	1.8	1.9	V
V _{DD}	DC power supply - core	2.5-V mode	2.375	2.5	2.625	V
V _{DDOx}	DC power supply - output	2.5-V mode	2.375	2.5	2.625	V
V _{DD}	DC power supply - core	3.3-V mode	2.97	3.3	3.63	V
V _{DDOx}	DC power supply - output	3.3-V mode	2.97	3.3	3.63	V
ΔV/ΔT ²	Core power supply slew rate	0.4-V to 1.8-V × 0.8 (in all voltage modes)	6500			V/s
TEMPERATURE						
T _A	Free- air temperature		-40		85	°C

- (1) For proper device operation, the core power supply voltage (pin 5) must be applied either before the application of any output power supply, or simultaneously with the application of the output power supplies. The application of an output power supply prior to the application of the core power supply could result in improper device behavior.
- (2) A minimum V_{DD} slew rate of 6500 V/s should be obtained to ensure proper device functionality in pin mode. If the ambient temperature of the device is > 0°C, the slew rate can be as slow as 5000 V/s. In host mode (I²C/SPI), the V_{DD} slew rate is not limited, if the Reset bit gets toggled after V_{DD} ramp.
- (3) V_{DD} and V_{DDOx} can be operated from different supply voltages. Refer to [Configuration of Output Type \(OTTP\)](#) for more details.

6.4 Thermal Information

THERMAL METRIC ⁽¹⁾		CDCUN1208LP	UNIT
		RHB Package	
		32 PINS	
R _{θJA}	Junction-to-ambient thermal resistance	32.5	°C/W
R _{θJC(top)}	Junction-to-case (top) thermal resistance	24.2	°C/W
R _{θJB}	Junction-to-board thermal resistance	6.6	°C/W
ψ _{JT}	Junction-to-top characterization parameter	0.3	°C/W
ψ _{JB}	Junction-to-board characterization parameter	6.6	°C/W
R _{θJC(bot)}	Junction-to-case (bottom) thermal resistance	1.6	°C/W

(1) For more information about traditional and new thermal metrics, see the [IC Package Thermal Metrics](#) application report.

6.5 Digital Input Electrical Characteristics – OE (SCL), INSEL, ITTP, OTTP, Divide (SDA/MOSI), ERC(ADDR/CS), Mode

T_A = –40°C to 85°C

PARAMETER		TEST CONDITIONS	MIN	TYP	MAX	UNIT
LVC MOS INPUT						
V _{IL1.8}	Low-level LVC MOS input voltage	V _{DD} = 1.8 V			0.7	V
V _{IH1.8}	High-level LVC MOS input voltage	V _{DD} = 1.8 V	1.35			V
V _{IOPEN1.8}	OPEN-level LVC MOS input voltage	V _{DD} = 1.8 V	0.75		1.2	V
V _{IL2.5}	Low-level LVC MOS input voltage	V _{DD} = 2.5 V			0.7	V
V _{IH2.5}	High-level LVC MOS input voltage	V _{DD} = 2.5 V	1.71			V
V _{IOPEN2.5}	OPEN-level LVC MOS input voltage	V _{DD} = 2.5 V	1		1.6	V
V _{IL3.3}	Low-level LVC MOS input voltage	V _{DD} = 3.3 V			1	V
V _{IH3.3}	High-level LVC MOS input voltage	V _{DD} = 3.3 V	2.3			V
V _{IOPEN3.3}	OPEN-level LVC MOS input voltage	V _{DD} = 3.3 V	1.3		1.9	V
I _{IL}	Low-level LVC MOS input current	V _{DD} = V _{DDmax} , V _{ILCMOS} = 0 V			–120	μA
I _{IH}	High-level LVC MOS input current	V _{DD} = V _{DDmax} , V _{IHCMOS} = 1.9 V			65	μA
C _I	LVC MOS input capacitance			6		pF
V _{IK}	Digital input clamp voltage	V _{DD} = 1.7V, I _I = –18 mA			–1.2	V

6.6 Universal Input (IN1, IN2) Characteristics

 $V_{DD} = 1.8\text{ V}, 2.5\text{ V}, 3.3\text{ V}, T_A = -40^\circ\text{C to } 85^\circ\text{C}$

PARAMETER		TEST CONDITIONS	MIN	TYP	MAX	UNIT
SINGLE-ENDED MODE						
$f_{IN1,2}$	Input frequency	Single ended ⁽¹⁾	0.008		250	MHz
V_{IH}	Input voltage - high	250 MHz	$0.7 \times V_{DD}$		V_{DD}	V
V_{IL}	Input voltage - low	250 MHz			$0.2 \times V_{DD}$	V
DIFFERENTIAL MODE						
f_{INDIFF}	Input frequency		0.008		400	MHz
$ V_{IN-DIFF} $	Input swing	$V_{DD} = 2.5\text{ V}, 3.3\text{ V}$	0.15		1.6	V
		$V_{DD} = 1.8\text{ V}$	0.15		1	V
V_{CM}	Input common mode voltage	ITTP = LVDS, $V_{DD} = 3.3\text{ V}$	0.8		2.5	V
		ITTP = LVDS, $V_{DD} = 2.5\text{ V}, 1.8\text{ V}$	0.8		$V_{DD} - 0.3$	
		ITTP = HCSSL	-0.15		0.75	
GENERAL CHARACTERISTICS						
I_{IH}	Input current - high	$V_{DD} = 3.63\text{ V}, V_{IH} = 3.63\text{ V}$			30	μA
I_{IL}	Input current - low	$V_{DD} = 3.63\text{ V}, V_{IL} = 0\text{ V}$			-30	μA
$\Delta V/\Delta T$	Input edge rate	20%–80%	0.75			V/ns
DC_{IN}	Input duty cycle		40%		60%	
C_{IN}	Input capacitance			3.5		pF

- (1) When using an input in single-ended mode, ground the negative terminal (IN1N and/or IN2N) and drive the positive terminal (IN1P and/or IN2P).

6.7 Clock Output Buffer Characteristics (Output Mode = LVDS)

Unless otherwise noted, $V_{DDOX} = 1.8\text{ V}, 2.5\text{ V}, 3.3\text{ V}$; $T_A = -40^\circ\text{C}$ to 85°C . See [Figure 15](#), [Figure 16](#), and [Figure 17](#).

PARAMETER		TEST CONDITIONS	MIN	TYP	MAX	UNIT
f_{OUT}	Output frequency		0.008		400	MHz
V_{CM}	Output common mode voltage, $V_{DDOX} = 2.5/3.3\text{ V}$	$R_L = 100\ \Omega$	1.125	1.2	1.275	V
	Output common mode voltage, $V_{DDOX} = 1.8\text{ V}$	$R_L = 100\ \Omega$		0.9		V
$ V_{OD} $	Differential output voltage	$R_L = 100\ \Omega$, single-ended Pk-Pk	250	400	550	mV
ΔV_{OD}	Change in magnitude of VOD for complementary output states	$R_L = 100\ \Omega$	-50		50	mV
V_{ring}	Output overshoot and undershoot	Percentage of output amplitude VOD			20%	
V_{OS}	Output AC common mode	$V_{IN, DIFF, PP} = 0.9\text{ V}$, $R_L = 100\ \Omega$, 2 pF			150	mVP-P
T_{ADDJIT}	Additive jitter ⁽¹⁾	$f_{out} = 100\text{ MHz}$, 10k-20M integration bandwidth, $R_L = 100\ \Omega$			200	fs, rms
		$f_{out} = 400\text{ MHz}$, 10k-20M integration bandwidth, $R_L = 100\ \Omega$			180	
t_R/t_F	Output rise/fall time	ERC = Slow, 20% to 80%, $Z_L = 100\ \Omega$, 1pF, $V_{DDOX} = 3.3\text{ V}$		800		ps
		ERC = Slow, 20% to 80%, $Z_L = 100\ \Omega$, 1pF, $V_{DDOX} = 1.8\text{ V}$		700		
		ERC = Medium., 20% to 80%, $Z_L = 100\ \Omega$, 1pF, $V_{DDOX} = 3.3\text{ V}$		600		
		ERC = Medium., 20% to 80%, $Z_L = 100\ \Omega$, 1pF, $V_{DDOX} = 1.8\text{ V}$		500		
		ERC = Fast, 20% to 80%, $Z_L = 100\ \Omega$, 1 pF		300		
ODC	Output duty cycle	50/50 Input duty cycle	45%		55%	
I_{SP} I_{SN}	Output short circuit current (single ended)	Shorted to GND	-24		24	mA
$ I_{PN} $	Output short circuit current (differential)	Complementary outputs shorted together			12	mA
T_{DLYO}	Propagation delay	ERC set to high rate. Input $t_r, t_f > 0.6\text{ V/ns}$, $R_L = 100\ \Omega$, $V_{DD} = 2.5\text{ V}, 3.3\text{ V}$			3.3	ns
		ERC set to high rate. Input $t_r, t_f > 0.6\text{ V/ns}$, $R_L = 100\ \Omega$, $V_{DD} = 1.8\text{ V}$			3.8	
t_{SKEW}	Skew between outputs	ERC set to high rate. Input $t_r, t_f > 0.6\text{ V/ns}$, Equal V_{DDOX} , $R_L = 100\ \Omega$		35	50	ps
t_{OE}	Output enable to stable clock output	Pin mode, $f_{out} = 100\text{ MHz}$, device in active mode with outputs disabled, OE asserted		20		μs
t_{PD}	PD de-asserted to stable clock output	Host mode, $f_{out} = 100\text{ MHz}$, device in power down mode, PD de-asserted		20		μs
t_{PU}	Time from power applied to stable clock output ⁽²⁾	Pin mode, $f_{out} = 100\text{ MHz}$, OE asserted, measured from time V_{DD} is valid to stable output.		1		ms

(1) $t_{Rfin} = t_{Ffin} > 0.6\text{ V/ns}$.

(2) Parameter depends significantly on power supply design and supply voltage rise time.

6.8 Clock Output Buffer Characteristics (Output Mode = HCSL)

Unless otherwise noted, $V_{DDOx} = 1.8\text{ V}, 2.5\text{ V}, 3.3\text{ V}$; $T_A = -40^\circ\text{C}$ to 85°C . See [Figure 18](#), [Figure 19](#), and [Figure 20](#). Supporting PCIe Gen1, Gen2, Gen3.

PARAMETER		TEST CONDITIONS	MIN	TYP	MAX	UNIT
f_{OUT}	Output frequency		0.008		400	MHz
V_{max}	Absolute maximum output voltage ⁽¹⁾	See Figure 1			1.15	V
V_{min}	Absolute minimum output voltage ⁽²⁾	See Figure 1	-0.3			V
V_{OH}	Single-ended output voltage – high ⁽³⁾	$R_L = \text{single ended to GND} = 50\ \Omega, C_L = 2\ \text{pF}, V_{DDOx} = 2.5\ \text{V}, 3.3\ \text{V}$ See Figure 18		600		mV
		$R_L = \text{single ended to GND} = 50\ \Omega, C_L = 2\ \text{pF}, V_{DDOx} = 1.8\ \text{V}$ See Figure 18		550		
V_{OL}	Single-ended output voltage – low ⁽³⁾	$R_L = \text{single ended to GND} = 50\ \Omega, C_L = 2\ \text{pF}$, See Figure 18			150	mV
V_{CROSS}	Output crossing point voltage ⁽³⁾	See Figure 1	250		550	mV
$V_{CROSS\Delta}$	V_{CROSS} Total variation ⁽³⁾	See Figure 2			140	mV
V_{RB}	Ring back voltage margin ⁽³⁾	See Figure 3	-100		100	mV
T_{STABLE}	Time before V_{RB} is Allowed ^{(3), (4)}	See Figure 3	500			ps
V_{OS}	Output AC common mode	$V_{IN, DIFF, PP} = 0.9\ \text{V}, R_L = \text{single ended to GND} = 50\ \Omega, 2\ \text{pF}$		75	125	mV _{P-P}
$T_{jitHCSL}$	Additive jitter, input set to HCSL ⁽⁵⁾	$f_{OUT} = 100\ \text{MHz}$, 10k-20M integration bandwidth. Differential measurement			380	fs, rms
$T_{jitLVDS}$	Additive jitter, input set to LVDS ⁽⁵⁾	$f_{OUT} = 100\ \text{MHz}$, 10k-20M integration bandwidth. Differential measurement			280	fs, rms
t_R/t_F	Output rise/fall time ⁽⁶⁾	Slow, +150-mV differential, see Figure 4 , $V_{DDOx} = 3.3\ \text{V}$		300		ps
		Slow, +150-mV differential, see Figure 4 , $V_{DDOx} = 1.8\ \text{V}$		230		
		Med., +150-mV differential, see Figure 4 , $V_{DDOx} = 3.3\ \text{V}$		240		
		Med., +150-mV differential, see Figure 4 , $V_{DDOx} = 1.8\ \text{V}$		180		
		Fast, +150-mV differential, see Figure 4		140		
TM_{RF}	Output rise/fall time matching	See Figure 5			20%	
ODC	Output duty cycle ⁽⁷⁾	Differential measurement, see Figure 6	45%		55%	
T_{DLYO}	Propagation delay	ERC set to high rate. Input $t_r, t_f > 0.6\ \text{V/ns}$, $V_{DD} = 2.5\ \text{V}, 3.3\ \text{V}$			3.8	ns
		ERC set to high rate. Input $t_r, t_f > 0.6\ \text{V/ns}$, $V_{DD} = 1.8\ \text{V}$			4.3	
t_{SKEW}	Skew between outputs ⁽⁸⁾	Differential Measurement, Input $t_r, t_f > 0.6\ \text{V/ns}$		35	50	ps
t_{OE}	Output enable to stable clock output	Pin mode, $f_{out} = 100\ \text{MHz}$, device in active mode with outputs disabled, OE asserted		2		μs
t_{PD}	PD de-asserted to stable clock output	Host mode, $f_{out} = 100\ \text{MHz}$, device in power down mode, PD de-asserted		15		μs
t_{PU}	Time from power applied to stable clock output ⁽⁹⁾	Pin mode, $f_{out} = 100\ \text{MHz}$, OE asserted, measured from time V_{DD} is valid to stable output		1		ms

- (1) Single-ended measurement includes overshoot. Measurement is taken at load capacitors C_L (see [Figure 18](#)).
- (2) Single-ended measurement, includes undershoot. Measurement is taken at load capacitors C_L (see [Figure 18](#)).
- (3) Measurement is taken at load capacitors C_L (see [Figure 18](#)). If $V_{DDOx} = 1.8\ \text{V}$, the specified minimum V_{OH} is 550 mV.
- (4) T_{STABLE} is the time the differential clock must maintain a minimum $\pm 150\ \text{mV}$ differential voltage after rising/falling edges, before it is allowed to return into the $VRB \pm 100\ \text{mV}$ differential range. See [Figure 3](#).
- (5) $t_{Rfin} = t_{Ffin} \geq 0.6\ \text{V/ns}$.
- (6) Measured from $-150\ \text{mV}$ to $+150\ \text{mV}$ on the differential waveform. The signal must be monotonic through the measurement region for rise and fall time. The 300-mV measurement window is centered on the differential zero crossing. Slow is $0.53\ \text{V/ns}$, medium is $1.05\ \text{V/ns}$, and fast is $2.1\ \text{V/ns}$. The PCIe CEM spec. has a window of $0.6\ \text{V/ns}$ to $4\ \text{V/ns}$.
- (7) Assumes input duty cycle = 50%.
- (8) Skew measured between identical output types with identical loads, identical output power supplies, and identical edge rate settings.
- (9) Parameter depends significantly on power supply design and supply voltage rise time.

6.9 Clock Output Buffer Electrical Characteristics (Output Mode = LVCMOS)

Unless otherwise noted, V_{DDOx} as shown in Table sections, $T_A = -40^{\circ}\text{C}$ to 85°C . ERC = Fast. For test configurations, see [Figure 21](#) and [Figure 22](#).

PARAMETER	TEST CONDITIONS	MIN	TYP	MAX	UNIT
3.3-V MODE					
f_{out}	Output frequency range	0.0008		250	MHz
V_{OH}	LVCMOS high-level output voltage	$V_{DDOx} = 2.97\text{ V}$, $I_{OH} = -0.1\text{ mA}$ (All ERC Settings)	2.9		V
		$V_{DDOx} = 2.97\text{ V}$, $I_{OH} = -5\text{ mA}$ (ERC = SLOW)	2.4		V
		$V_{DDOx} = 2.97\text{ V}$, $I_{OH} = -8\text{ mA}$ (ERC = MED, FAST)			
		$V_{DDOx} = 2.97\text{ V}$, $I_{OH} = -6\text{ mA}$ (ERC = SLOW)	2.2		V
		$V_{DDOx} = 2.97\text{ V}$, $I_{OH} = -10\text{ mA}$ (ERC = MED)			
	$V_{DDOx} = 2.97\text{ V}$, $I_{OH} = -12\text{ mA}$ (ERC = FAST)				
V_{OL}	LVCMOS low-level output voltage	$V_{DDOx} = 2.97\text{ V}$, $I_{OL} = 0.1\text{ mA}$ (All ERC Settings)		0.1	V
		$V_{DDOx} = 2.97\text{ V}$, $I_{OL} = 5\text{ mA}$ (ERC = SLOW)		0.5	V
		$V_{DDOx} = 2.97\text{ V}$, $I_{OL} = 8\text{ mA}$ (ERC = MED, FAST)			
		$V_{DDOx} = 2.97\text{ V}$, $I_{OL} = 6\text{ mA}$ (ERC = SLOW)		0.8	V
		$V_{DDOx} = 2.97\text{ V}$, $I_{OL} = 10\text{ mA}$ (ERC = MED)			
	$V_{DDOx} = 2.97\text{ V}$, $I_{OL} = 12\text{ mA}$ (ERC = FAST)				
I_{OH}	LVCMOS high-level output current	$V_{DDOx} = 3.3\text{ V}$, $V_O = 0.5\text{ V}$; $T_A = 25^{\circ}\text{C}$	-73		mA
		$V_{DDOx} = 3.3\text{ V}$, $V_O = 1.0\text{ V}$; $T_A = 25^{\circ}\text{C}$	-64		
		$V_{DDOx} = 3.3\text{ V}$, $V_O = 1.65\text{ V}$; $T_A = 25^{\circ}\text{C}$	-49		
I_{OL}	LVCMOS low-level output current	$V_{DDOx} = 3.3\text{ V}$, $V_O = 2.8\text{ V}$; $T_A = 25^{\circ}\text{C}$	78		mA
		$V_{DDOx} = 3.3\text{ V}$, $V_O = 2.3\text{ V}$; $T_A = 25^{\circ}\text{C}$	72		
		$V_{DDOx} = 3.3\text{ V}$, $V_O = 1.65\text{ V}$; $T_A = 25^{\circ}\text{C}$	58		
t_{PLH} , t_{PHL}	Propagation delay		5		ns
$t_{SLEW-RATE}$	Output rise/fall slew rate	ERC = Slow, 20% to 80%, $f_{out} = 100\text{ MHz}$, $C_L = 8\text{ pF}$	1.2		V/ns
		ERC = Medium 20% to 80%, $f_{out} = 100\text{ MHz}$, $C_L = 8\text{ pF}$	3		
		ERC = Fast, 20% to 80%, $f_{out} = 250\text{ MHz}$, $C_L = 8\text{ pF}$	6		
$t_{jitt-add}$	Additive jitter			280	fs
$t_{sk(o)}$	Output skew ⁽¹⁾			90	ps
odc	Output duty cycle ^{(2), (3)}	$f_{OUT} = 100\text{ MHz}$; Pdiv = 1	45%	55%	
t_{OE}	Output enable to stable clock output	Pin mode, $f_{out} = 100\text{ MHz}$, device in active mode with outputs disabled, OE asserted	2		μs
t_{PD}	PD de-asserted to stable clock output	Host mode, $f_{out} = 100\text{ MHz}$, device in power down mode, PD de-asserted	10		μs
t_{PU}	Time from power applied to stable clock output ⁽⁴⁾	Pin mode, $f_{out} = 100\text{ MHz}$, OE asserted, measured from time V_{DD} is valid to stable output.	1		ms

(1) The $t_{sk(o)}$ specification is only valid for equal loading with identical edge rates and output supply voltages.

(2) Assumes 50% duty cycle at the input.

(3) odc depends on output rise and fall time (t_R/t_F).

(4) Parameter depends significantly on power supply design and supply voltage rise time.

6.10 Clock Output Buffer Electrical Characteristics (Output Mode = LVCMOS) (Continued)

Unless otherwise noted, V_{DDOX} as shown in Table sections, $T_A = -40^\circ\text{C}$ to 85°C . ERC = Fast. For test configurations, see [Figure 21](#) and [Figure 22](#).

PARAMETER	TEST CONDITIONS	MIN	TYP	MAX	UNIT	
2.5-V MODE						
f_{out}	Output frequency range	0.0008		250	MHz	
V_{OH}	LVCMOS high-level output voltage	$V_{DDOX} = 2.375\text{ V}$, $I_{OH} = -0.1\text{ mA}$ (All ERC Settings)		2.2		
		$V_{DDOX} = 2.375\text{ V}$, $I_{OH} = -4\text{ mA}$ (ERC = SLOW)		1.7	V	
		$V_{DDOX} = 2.375\text{ V}$, $I_{OH} = -6\text{ mA}$ (ERC = MED, FAST)				
		$V_{DDOX} = 2.375\text{ V}$, $I_{OH} = -5\text{ mA}$ (ERC = SLOW)		1.6	V	
V_{OL}	LVCMOS low-level output voltage	$V_{DDOX} = 2.375\text{ V}$, $I_{OL} = 0.1\text{ mA}$ (All ERC Settings)		0.1	V	
		$V_{DDOX} = 2.375\text{ V}$, $I_{OH} = 4\text{ mA}$ (ERC = SLOW)		0.5	V	
		$V_{DDOX} = 2.375\text{ V}$, $I_{OH} = 6\text{ mA}$ (ERC = MED, FAST)				
		$V_{DDOX} = 2.375\text{ V}$, $I_{OH} = 5\text{ mA}$ (ERC = SLOW)		0.7	V	
I_{OH}	LVCMOS high-level output current	$V_{DDOX} = 2.5\text{ V}$, $V_O = 0.5\text{ V}$; $T_A = 25^\circ\text{C}$		-45	mA	
		$V_{DDOX} = 2.5\text{ V}$, $V_O = 0.9\text{ V}$; $T_A = 25^\circ\text{C}$		-39		
		$V_{DDOX} = 2.5\text{ V}$, $V_O = 1.25\text{ V}$; $T_A = 25^\circ\text{C}$		-32		
I_{OL}	LVCMOS low-level output current	$V_{DDOX} = 2.5\text{ V}$, $V_O = 2.0\text{ V}$; $T_A = 25^\circ\text{C}$		50	mA	
		$V_{DDOX} = 2.5\text{ V}$, $V_O = 1.65\text{ V}$; $T_A = 25^\circ\text{C}$		47		
		$V_{DDOX} = 2.5\text{ V}$, $V_O = 1.25\text{ V}$; $T_A = 25^\circ\text{C}$		40		
t_{PLH} , t_{PHL}	Propagation delay		5.5		ns	
$t_{SLEW-RATE}$	Output rise/fall slew rate	ERC = Slow, 20% to 80%, $f_{out} = 100\text{ MHz}$, $C_L = 8\text{ pF}$		0.8	V/ns	
		ERC = Medium 20% to 80%, $f_{out} = 100\text{ MHz}$, $C_L = 8\text{ pF}$		1.4		
		ERC = Fast, 20% to 80%, $f_{out} = 250\text{ MHz}$, $C_L = 8\text{ pF}$		4		
$t_{jit-add}$	Additive jitter	$f_{OUT} = 100\text{ MHz}$, 10k-20M integration bandwidth		280	fs	
$t_{sk(o)}$	Output skew ⁽¹⁾			90	ps	
odc	Output duty cycle ⁽²⁾⁽³⁾	$f_{OUT} = 100\text{ MHz}$; Pdiv = 1	45%	55%		
t_{OE}	Output enable to stable clock output	Pin mode, $f_{out} = 100\text{ MHz}$, device in active mode with outputs disabled, OE asserted		2	μs	
t_{PD}	PD de-asserted to stable clock output	Host mode, $f_{out} = 100\text{ MHz}$, device in power down mode, PD de-asserted		10	μs	
t_{PU}	Time from power applied to stable clock output ⁽⁴⁾	Pin mode, $f_{out} = 100\text{ MHz}$, OE asserted, measured from time V_{DD} is valid to stable output.		1	ms	

- (1) The $t_{sk(o)}$ specification is only valid for equal loading with identical edge rates and output supply voltages.
- (2) Assumes 50% duty cycle at the input.
- (3) odc depends on output rise and fall time (t_R/t_F).
- (4) Parameter depends significantly on power supply design and supply voltage rise time.

6.11 Clock Output Buffer Electrical Characteristics (Output Mode = LVCMOS) (Continued)

Unless otherwise noted, V_{DDOx} as shown in Table sections, $T_A = -40^{\circ}\text{C}$ to 85°C . ERC = Fast. For test configurations, see Figure 21 and Figure 22.

PARAMETER		TEST CONDITIONS	MIN	TYP	MAX	UNITS
1.8-V MODE						
f_{out}	Output frequency range		0.0008		250	MHz
V_{OH}	LVCMOS high-level output voltage	$V_{DDOx} = 1.7\text{ V}$, $I_{OH} = -0.1\text{ mA}$ (All ERC Settings)	1.6			V
		$V_{DDOx} = 1.7\text{ V}$, $I_{OH} = -1.5\text{ mA}$ (ERC = SLOW)	1.4			
		$V_{DDOx} = 1.7\text{ V}$, $I_{OH} = -3\text{ mA}$ (ERC = MED)	1.1			V
		$V_{DDOx} = 1.7\text{ V}$, $I_{OH} = -4\text{ mA}$ (ERC = FAST)				
		$V_{DDOx} = 1.7\text{ V}$, $I_{OH} = -3\text{ mA}$ (ERC = SLOW)				
		$V_{DDOx} = 1.7\text{ V}$, $I_{OH} = -5\text{ mA}$ (ERC = MED)				
$V_{DDOx} = 1.7\text{ V}$, $I_{OH} = -8\text{ mA}$ (ERC = FAST)						
V_{OL}	LVCMOS low-level output voltage	$V_{DDOx} = 1.7\text{ V}$, $I_{OL} = 0.1\text{ mA}$ (All ERC Settings)			0.1	V
		$V_{DDOx} = 1.7\text{ V}$, $I_{OL} = 2\text{ mA}$ (ERC = SLOW)			0.3	V
		$V_{DDOx} = 1.7\text{ V}$, $I_{OL} = 3\text{ mA}$ (ERC = MED)				
		$V_{DDOx} = 1.7\text{ V}$, $I_{OL} = 4\text{ mA}$ (ERC = FAST)			0.6	V
		$V_{DDOx} = 1.7\text{ V}$, $I_{OL} = 3\text{ mA}$ (ERC = SLOW)				
		$V_{DDOx} = 1.7\text{ V}$, $I_{OL} = 5\text{ mA}$ (ERC = MED)				
$V_{DDOx} = 1.7\text{ V}$, $I_{OL} = 8\text{ mA}$ (ERC = FAST)						
I_{OH}	LVCMOS high-level output current	$V_{DDOx} = 1.8\text{ V}$, $V_O = 0.5\text{ V}$; $T_A = 25^{\circ}\text{C}$			-23	mA
		$V_{DDOx} = 1.8\text{ V}$, $V_O = 0.9\text{ V}$; $T_A = 25^{\circ}\text{C}$			-18	
I_{OL}	LVCMOS low-level output current	$V_{DDOx} = 1.8\text{ V}$, $V_O = 1.4\text{ V}$; $T_A = 25^{\circ}\text{C}$			27	mA
		$V_{DDOx} = 1.8\text{ V}$, $V_O = 0.9\text{ V}$; $T_A = 25^{\circ}\text{C}$			23	
t_{PLH} , t_{PHL}	Propagation delay				6.8	ns
$t_{SLEW-RATE}$	Output rise/fall slew rate	ERC = Slow, 20% to 80%, $f_{out} = 100\text{ MHz}$, $C_L = 8\text{ pF}$			0.5	V/ns
		ERC = Medium 20% to 80%, $f_{out} = 100\text{ MHz}$, $C_L = 8\text{ pF}$			0.8	
		ERC = Fast, 20% to 80%, $f_{out} = 250\text{ MHz}$, $C_L = 8\text{ pF}$			2.7	
$t_{jit-add}$	Additive jitter	$f_{OUT} = 100\text{ MHz}$, 10k-20M integration bandwidth			350	fs
$t_{sk(o)}$	Output skew ⁽¹⁾				130	ps
odc	Output duty cycle ^{(2), (3)}	$f_{OUT} = 100\text{ MHz}$; Pdiv = 1, ERC = MED, FAST	45%			55%
t_{OE}	Output enable to stable clock output	Pin mode, $f_{out} = 100\text{ MHz}$, device in active mode with outputs disabled, OE asserted			2	μs
t_{PD}	PD de-asserted to stable clock output	Host mode, $f_{out} = 100\text{ MHz}$, device in power down mode, PD de-asserted			10	μs
t_{PU}	Time from power applied to stable clock output ⁽⁴⁾	Pin mode, $f_{out} = 100\text{ MHz}$, OE asserted, measured from time V_{DD} is valid to stable output.			1	ms

- (1) The $t_{sk(o)}$ specification is only valid for equal loading with identical edge rates and output supply voltages.
- (2) Assumes 50% duty cycle at the input.
- (3) odc depends on output rise and fall time (t_R/t_F).
- (4) Parameter depends significantly on power supply design and supply voltage rise time.

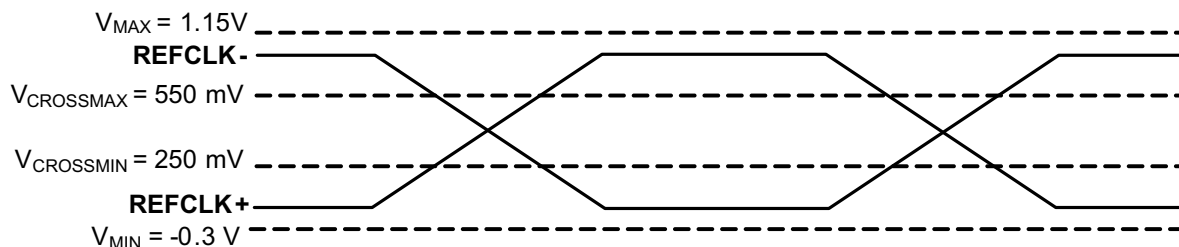


Figure 1. HCSL Crossing Point Voltage

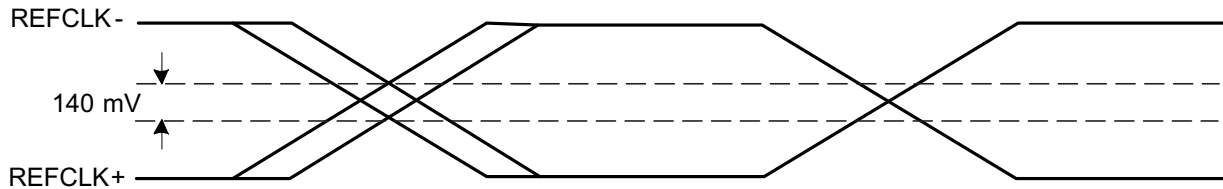


Figure 2. HCSL Variation of VCROSS Over All Rising Clock Edges

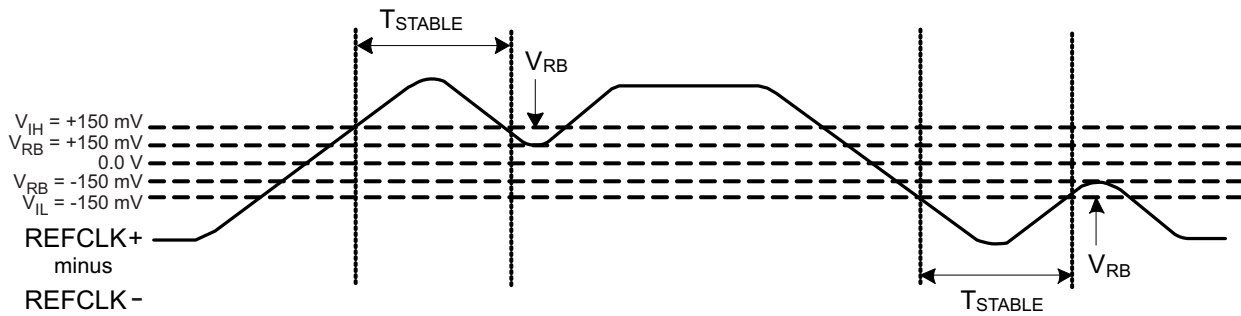


Figure 3. HCSL Ring Back Margin and Timing

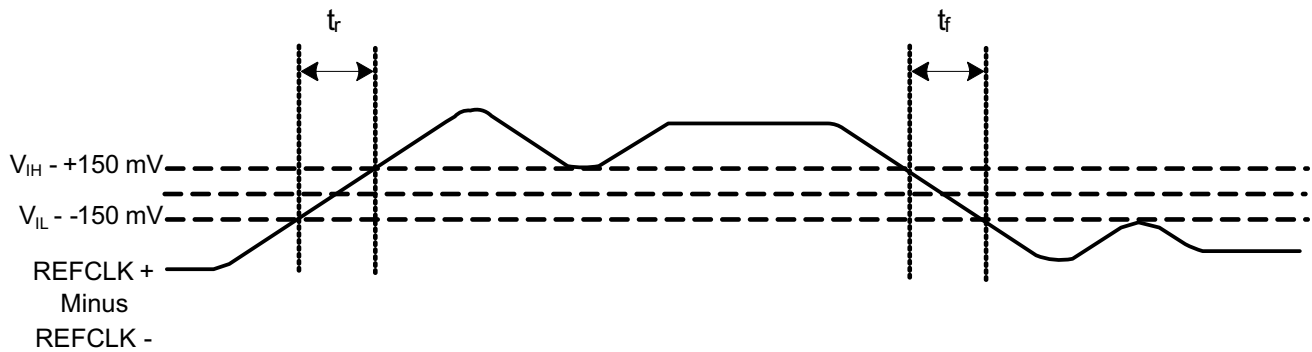


Figure 4. HCSL Rise Fall Time and Edge Speed

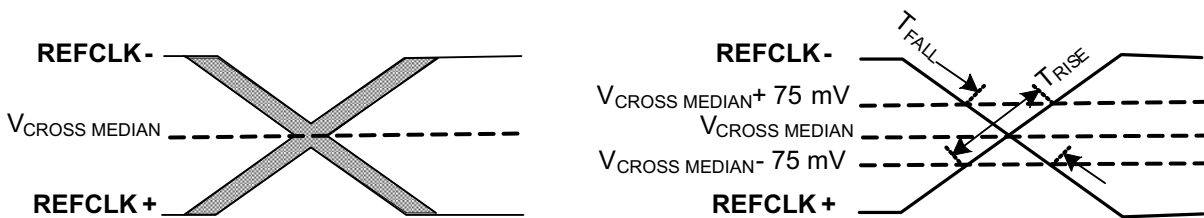


Figure 5. HCSL Rise Fall Time Matching

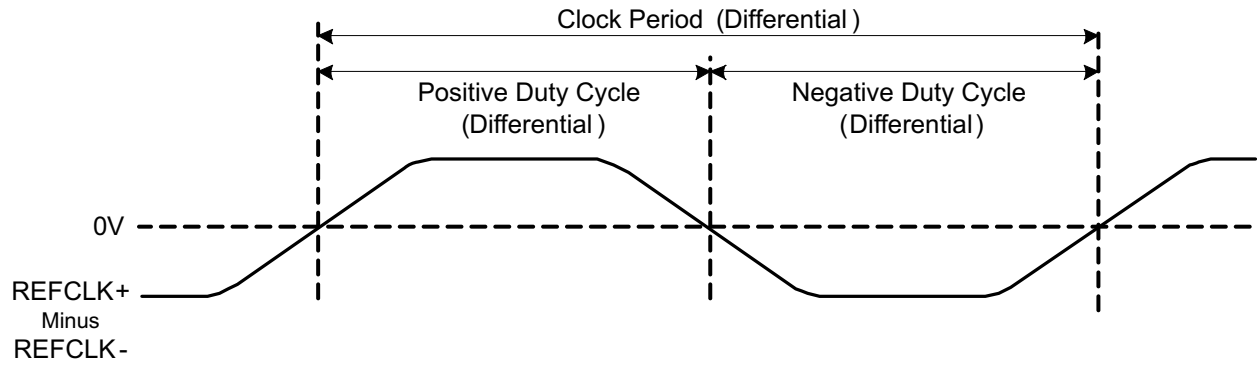


Figure 6. HCSL Duty Cycle

6.12 Typical Characteristics

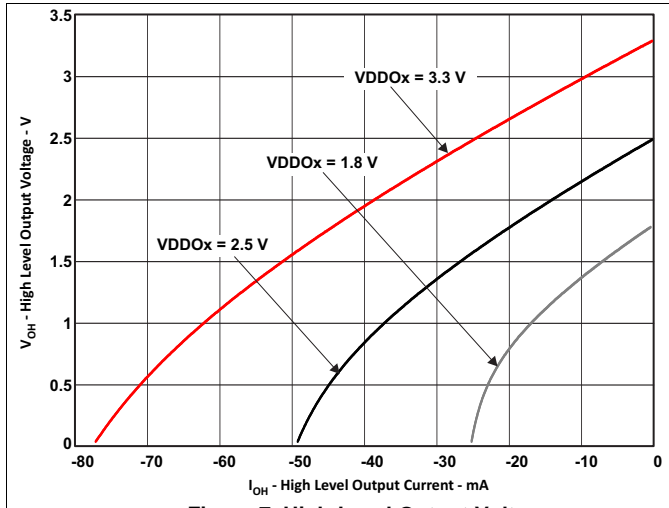


Figure 7. High-Level Output Voltage vs Current - LVC MOS Mode

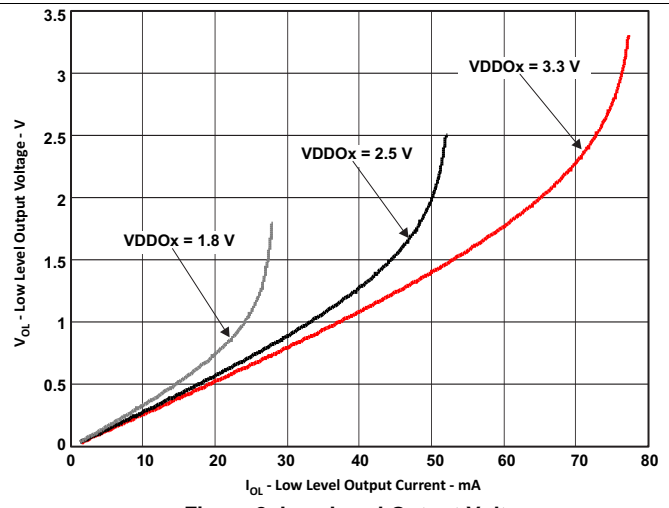


Figure 8. Low-Level Output Voltage vs Current - LVC MOS Mode

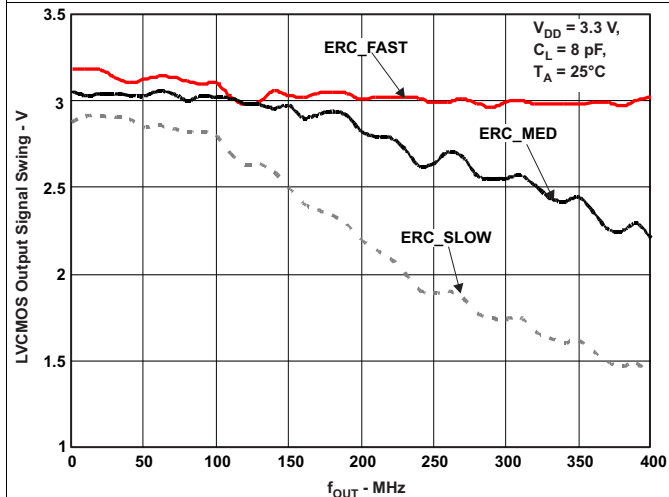


Figure 9. CDCUN1208LP LVC MOS Signal Swing Characteristics (3.3-V Mode)

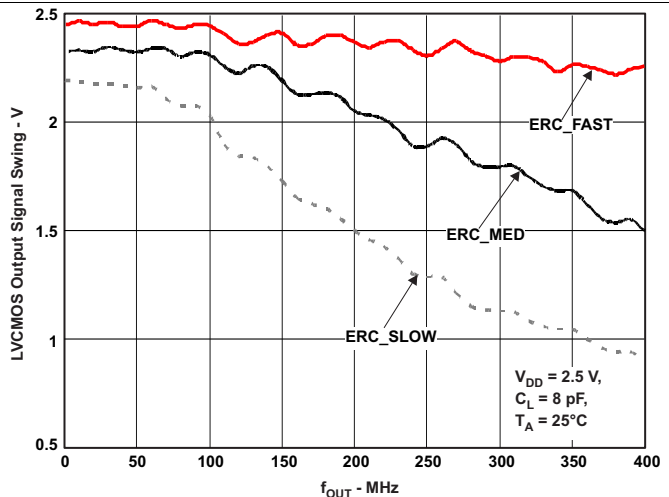


Figure 10. CDCUN1208LP LVC MOS Signal Swing Characteristics (2.5-V Mode)

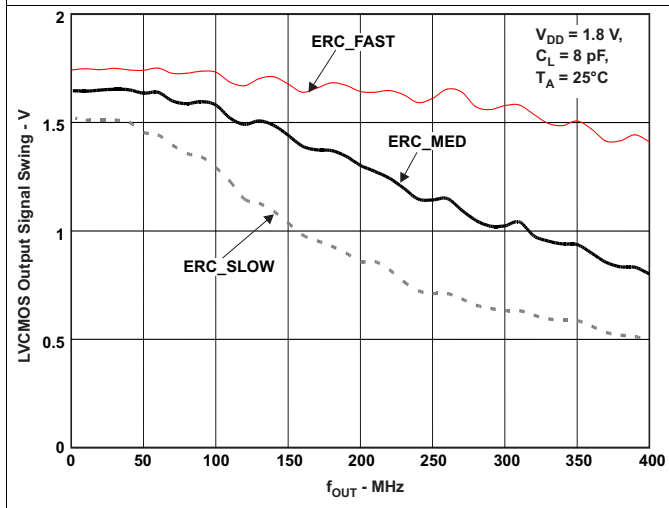


Figure 11. CDCUN1208LP LVC MOS Signal Swing Characteristics (1.8-V Mode)

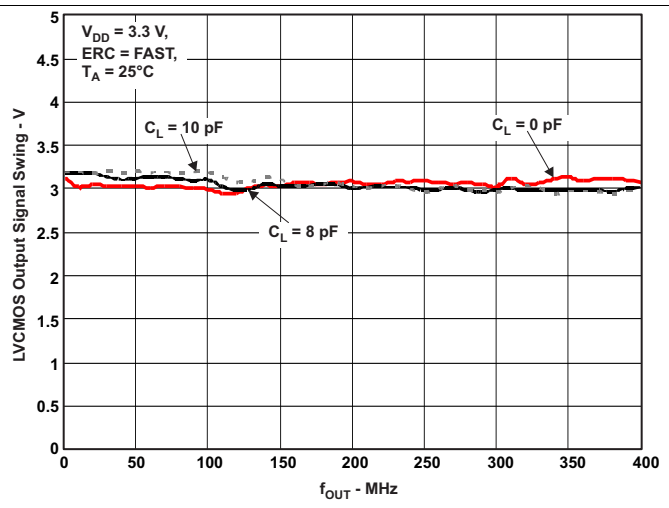
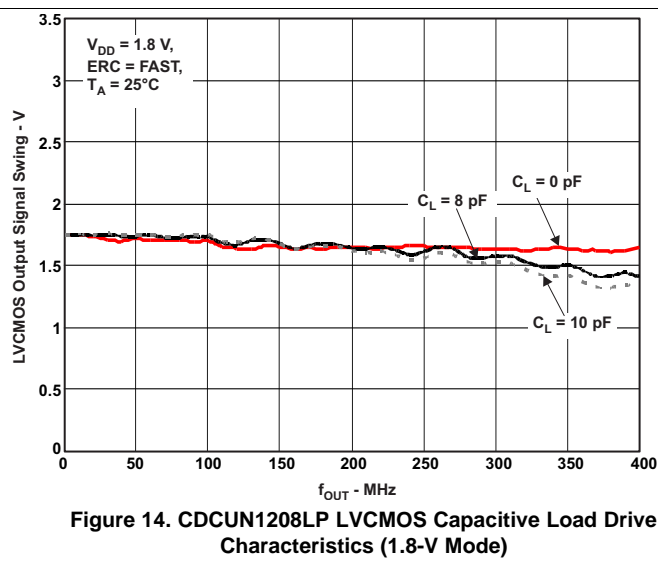
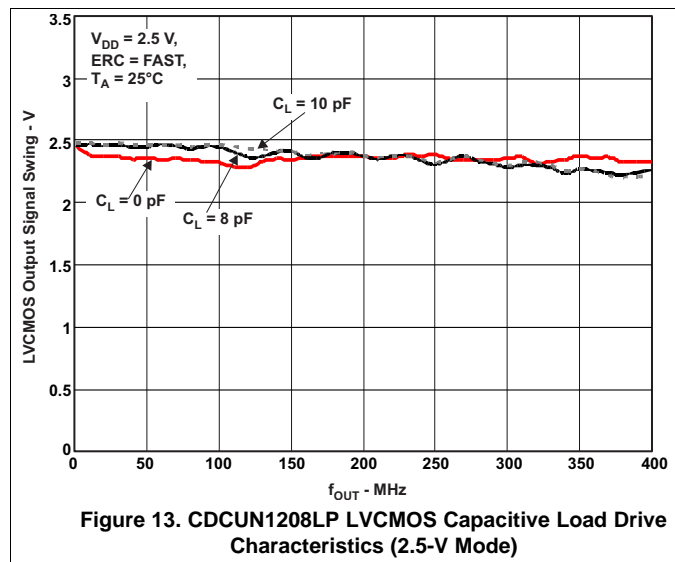


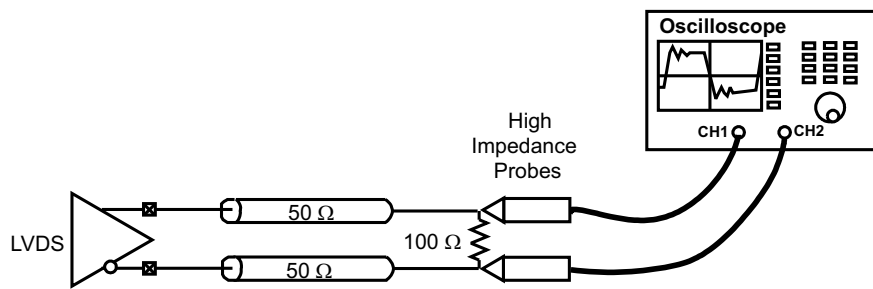
Figure 12. CDCUN1208LP LVC MOS Capacitive Load Drive Characteristics (3.3-V Mode)

Typical Characteristics (continued)



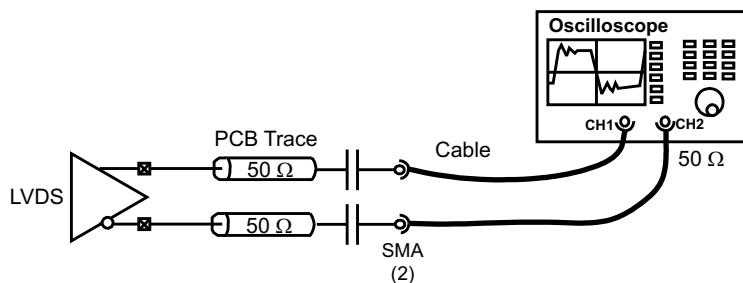
7 Parameter Measurement Information

7.1 Test Configurations



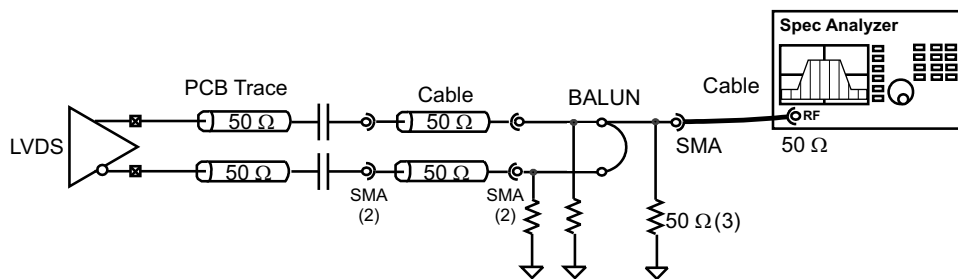
Copyright © 2017, Texas Instruments Incorporated

Figure 15. CDCUN1208LP LVDS Output - Test Setup



Copyright © 2017, Texas Instruments Incorporated

Figure 16. CDCUN1208LP LVDS Output - Propagation Delay/Skew Measurement Setup

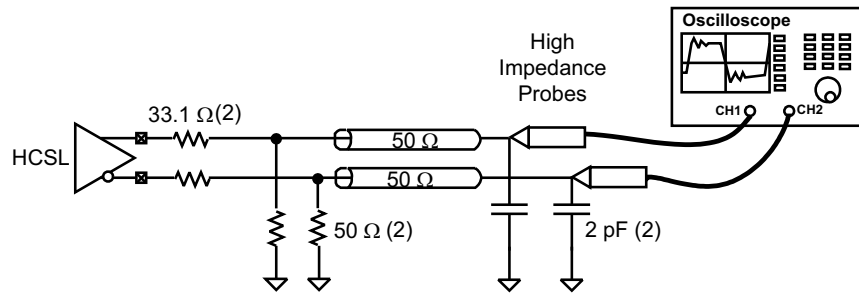


Copyright © 2017, Texas Instruments Incorporated

Figure 17. CDCUN1208LP LVDS Output - Phase Noise/Jitter Measurement Setup

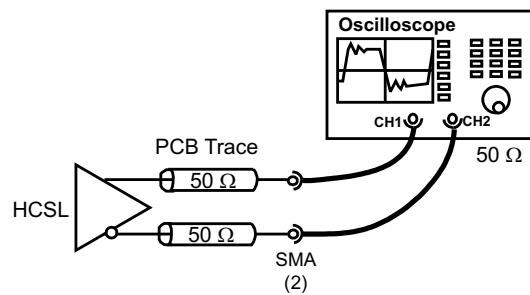
Figure 18 shows the configuration used to measure the HCSL buffer characteristics. Either single-ended probes with math or differential probes can be used for differential measurements. The 50-Ω differential trace length is up to 15 inches.

Test Configurations (continued)



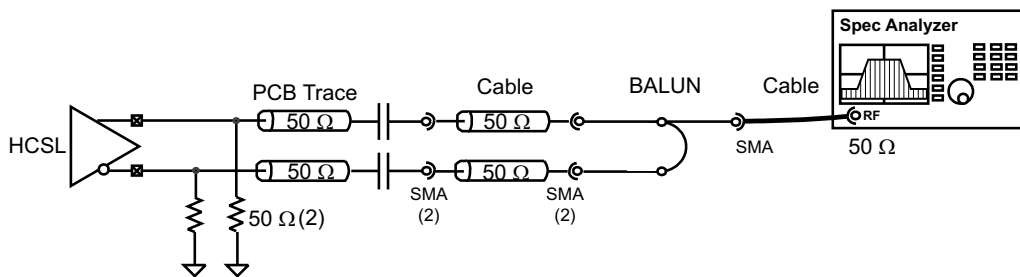
Copyright © 2017, Texas Instruments Incorporated

Figure 18. CDCUN1208LP HCSL Output – Measurement Configuration With Load



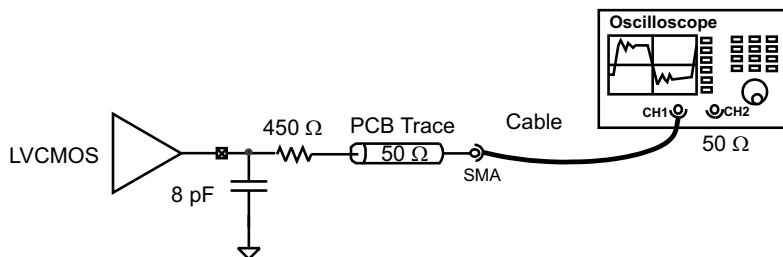
Copyright © 2017, Texas Instruments Incorporated

Figure 19. CDCUN1208LP HCSL Output – Propagation Delay/Skew Measurement



Copyright © 2017, Texas Instruments Incorporated

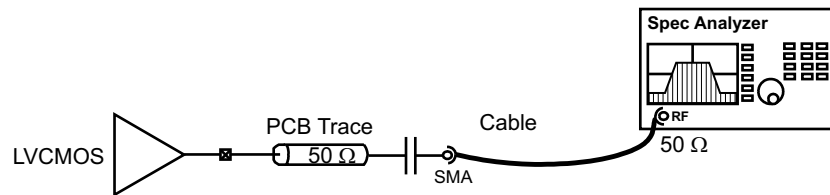
Figure 20. CDCUN1208LP HCSL Output – Phase Noise/Jitter Measurement Configuration



Copyright © 2017, Texas Instruments Incorporated

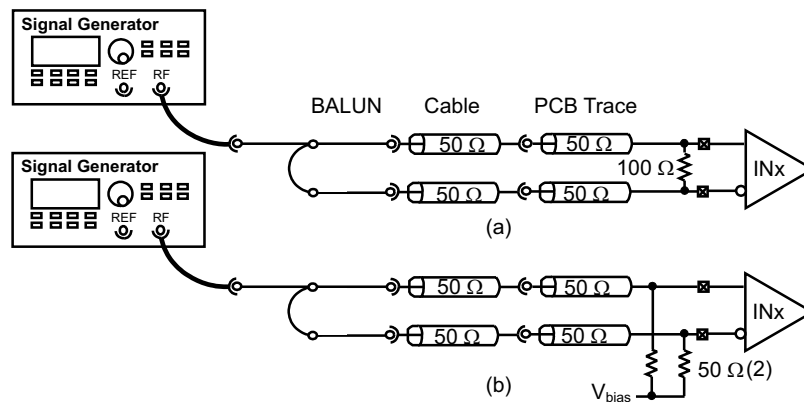
Figure 21. CDCUN1208LP LVCMOS Output – Measurement Configuration

Test Configurations (continued)



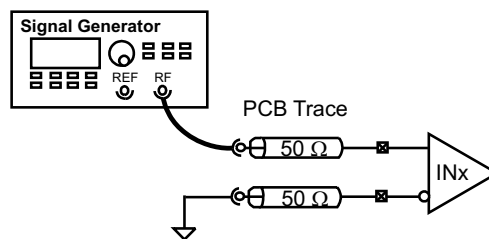
Copyright © 2017, Texas Instruments Incorporated

Figure 22. CDCUN1208LP LVC MOS Output – Phase Noise/Jitter Measurement Setup



Copyright © 2017, Texas Instruments Incorporated

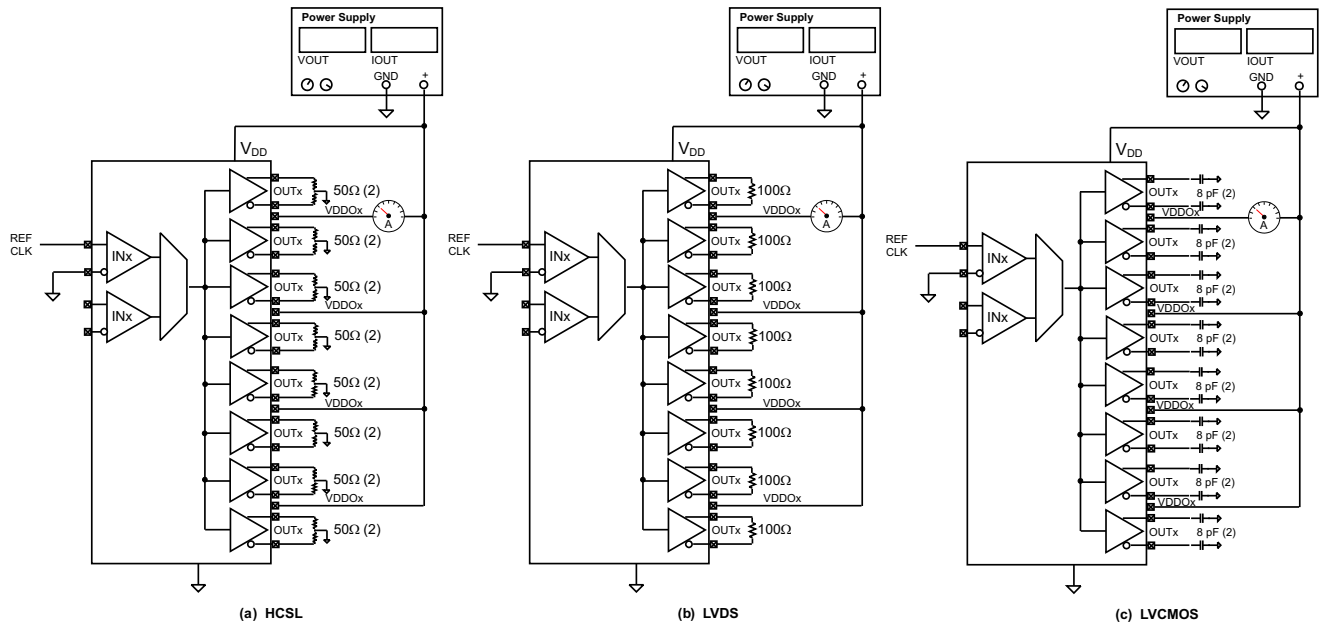
Figure 23. CDCUN1208LP Universal Input - Differential Mode Measurement Setup



Copyright © 2017, Texas Instruments Incorporated

Figure 24. CDCUN1208LP Universal Input - Single-Ended Mode Measurement Setup

Test Configurations (continued)



Copyright © 2017, Texas Instruments Incorporated

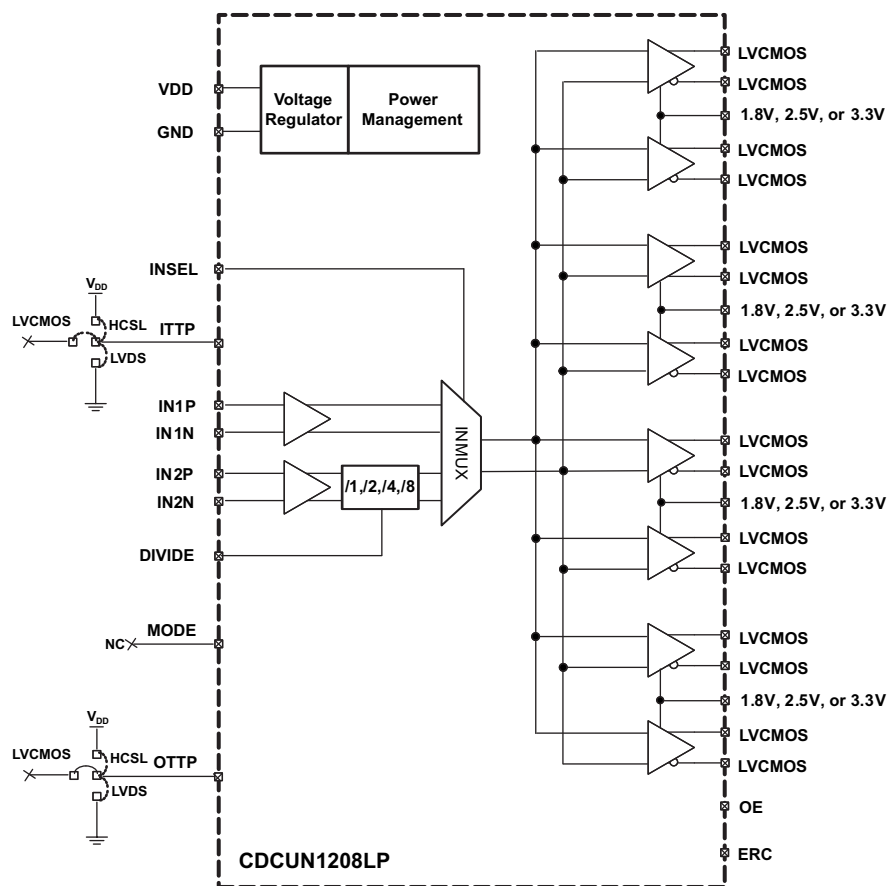
Figure 25. CDCUN1208LP Power Consumption Measurement Setup

8 Detailed Description

8.1 Overview

The CDCUN1208LP is a 2:8 fan-out buffer featuring a wide operating supply range, two universal differential or single-ended inputs, and universal outputs (HCSL, LVDS, or LVC MOS) with edge rate control. The clock buffer supports PCIe Gen1, Gen2, and Gen3. One of the device inputs includes a divider that provides divide values of $/1$, $/2$, $/4$, or $/8$. The device is flexible and easy to use. The state of certain pins determines device configuration at power up. Alternately, the CDCUN1208LP provides a SPI/I2C port with which a host processor controls device settings. The CDCUN1208LP delivers excellent additive jitter performance, and low power consumption. The device can run in mixed output supply mode with a dedicated supply pin for each group of outputs. This allows the device to work as an LVC MOS-level translator as well.

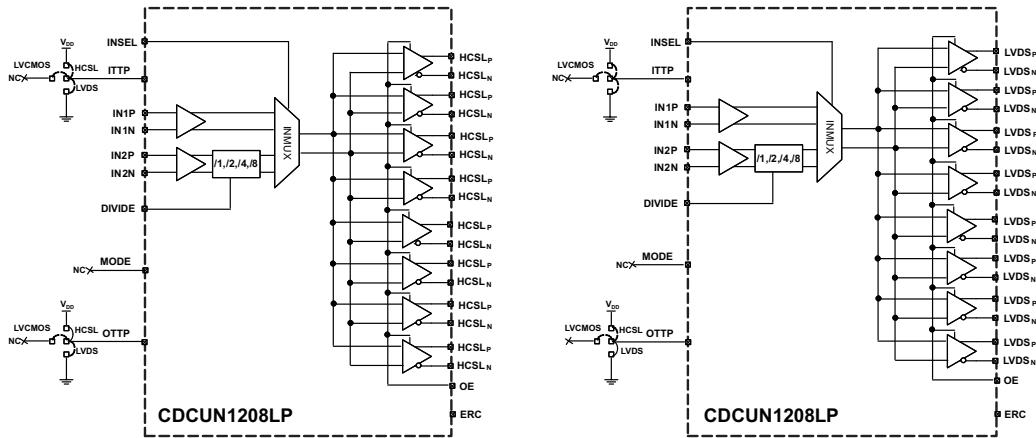
8.2 Functional Block Diagrams



Copyright © 2017, Texas Instruments Incorporated

Figure 26. CDCUN1208LP Typical Application Example – LVC MOS Output Mode

Functional Block Diagrams (continued)



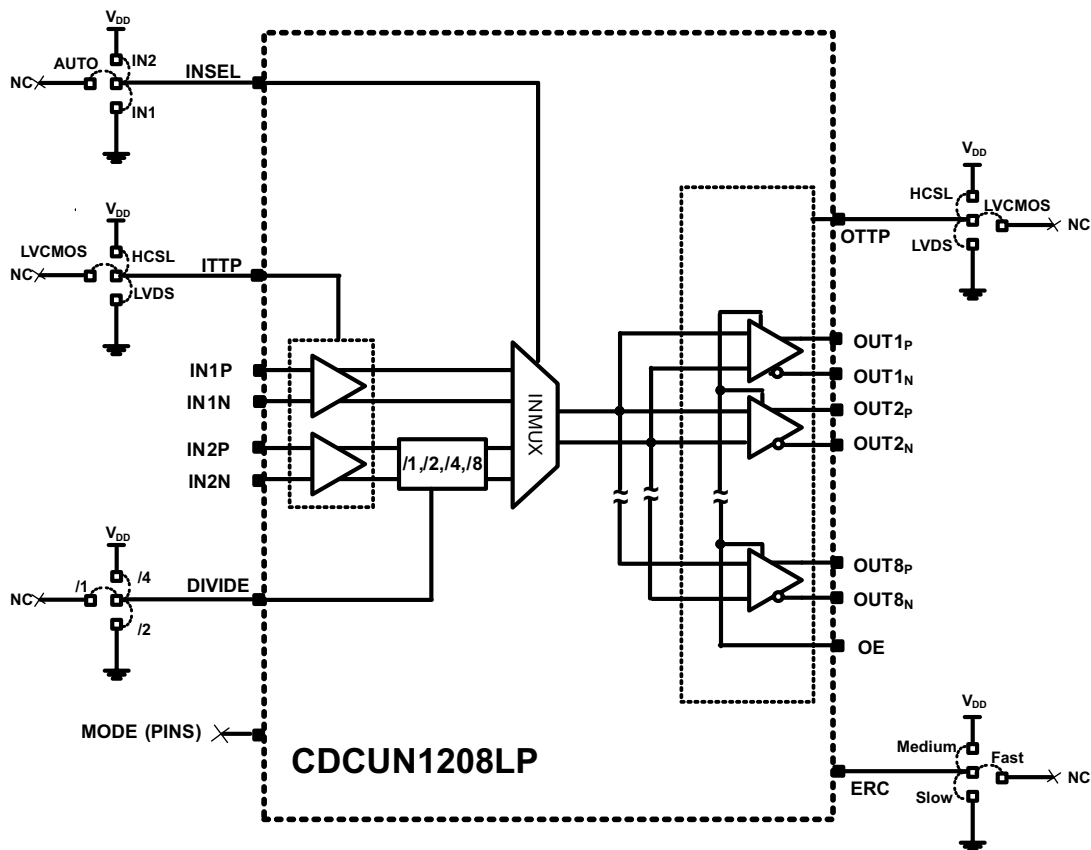
Copyright © 2017, Texas Instruments Incorporated

Figure 27. CDCUN1208LP Applications – HCSL and LVDS Fan-Out Buffer Mode

8.3 Feature Description

8.3.1 Device Control Using Configuration Pins

Figure 28 illustrates and Table 1 lists the CDCUN1208LP device settings using the configuration pins. Some pins sense three different states (HIGH, LOW, OPEN) according to Figure 28 and Digital Input Electrical Characteristics – OE (SCL), INSEL, ITTP, OTTP, Divide (SDA/MOSI), ERC(ADDR/CS), Mode. The device samples the state of the pins at power up and configures the device accordingly. Certain pins including INSEL and OE are sampled continuously; thus, changes of state of INSEL or OE control the device instantly.

Feature Description (continued)


Copyright © 2017, Texas Instruments Incorporated

Figure 28. CDCUN1208LP Pin Configuration Overview
Table 1. CDCUN1208LP Pin Configuration Summary

PIN NAME	PIN NUMBER	DEFINITION	DEVICE CONFIGURATION DETAILS
DEVICE OUTPUTS			
OTTP	19	Output type setting	See Table 2
ERC	31	Edge rate control	See Table 3
OE	32	Device global output enable	See Table 4
DEVICE INPUTS			
ITTP	8	Input type setting	See Table 5
DIVIDE	1	IN2 input divider control	See Table 6
INSEL	2	Input multiplexer setting	See Table 7

8.3.1.1 Configuration of Output Type (OTTP)

Table 2 shows how to set the output buffer type using the OTTP pin. This setting affects all device outputs equally. Certain combinations of output buffers include a dedicated power supply pin, which must be properly bypassed. If the device output configuration is set to LVCMOS, then the supply voltage applied establishes the switching thresholds corresponding to the supply provided according to [Clock Output Buffer Electrical Characteristics \(Output Mode = LVCMOS\)](#). For example, if OUT1 and OUT2 are supplied with a 1.8-V power supply through the VDDO1 pin, the switching thresholds are set to the 1.8-V logic domain. The system may have other logic supplies (1.8 V, 2.5 V, or 3.3 V) connected to the device on different output buffer supply domains simultaneously. This enables the device to clock devices operating on different supplies, without the need for external logic level translation buffers. The CDCUN1208LP automatically adjusts the switching thresholds corresponding to these common logic power supply voltages. For more information regarding the power supplies for the output section, see [Device Power Supply Connections and Sequencing](#).

Table 2. CDCUN1208LP Pin Configuration of Output Type

OTTP (Pin 19)	OUTPUT TYPE
LOW	LVDS
HIGH	HCSL
OPEN	LVCMOS

8.3.1.2 Configuration of Edge Rate Control (ERC)

The CDCUN1208LP supports Edge Rate Control (ERC), to tailor jitter and EMI performance from device outputs. Table 3 shows the edge rate control setting. This setting affects all device outputs equally. Each edge rate setting is unique to the output buffer type selected as described in [Clock Output Buffer Characteristics \(Output Mode = LVDS\)](#), [Clock Output Buffer Characteristics \(Output Mode = HCSL\)](#), and [Clock Output Buffer Electrical Characteristics \(Output Mode = LVCMOS\)](#).

Table 3. CDCUN1208LP Pin Configuration of Output Edge Rate

ERC (Pin 31)	OUTPUT EDGE RATE
LOW	SLOW
HIGH	MEDIUM
OPEN	FAST

8.3.1.3 Control of Output Enable (OE)

Table 4 shows how the output enable pin controls the device outputs. The OE pin is sampled continuously, so that the application may turn on/off the output buffers at any time.

Table 4. CDCUN1208LP Pin Control of Output Enable

OE (Pin 32)	OUTPUT ENABLE
LOW	DISABLED in tri-state
HIGH	ENABLED
OPEN	RESERVED ⁽¹⁾

- (1) Leaving the Output Enable pin OPEN causes the CDCUN1208LP to malfunction. This pin must be driven high or low at all times.

8.3.2 Input Ports (IN1, IN2)

8.3.2.1 Configuration of the Input Type (ITTP)

Table 5 describes how to set the input buffers to the appropriate switching levels using the ITTP pin. For proper input termination, see Figure 46.

Table 5. CDCUN1208LP Pin Control of Input Type (ITTP)

ITTP (Pin 8)	ITTP SETTING
LOW	LVDS
HIGH	HCSL
OPEN	LVC MOS

8.3.2.2 Configuration of the IN2 Divider (INDIV)

Table 6 describes how to set the input divider using the DIVIDE pin. If the /8 setting is desired, then this feature is accessed through the host configuration method only; refer to [Device Control Using the Host Interface](#).

Table 6. CDCUN1208LP Pin Control of INDIV Divider

DIVIDE (Pin 1)	INDIV DIVIDER SETTING
LOW	/2
HIGH	/4
OPEN	/1

8.3.3 Smart Input Multiplexer (INMUX)

The smart multiplexer supports manual and automatic switching between IN1 and IN2. If enabled, the smart multiplexer switches automatically between clock inputs based on a prioritization scheme shown in Table 7. If using the smart multiplexer auto mode, the frequencies of the clocks applied to the smart multiplexer through IN1 and IN2 (through the divider) may differ by up to 20%. The phase relationship between clock inputs has no restrictions. The smart multiplexer includes signal conditioning that provides glitch suppression.⁽¹⁾

Upon the detection of a loss of signal on the input with higher priority, the smart multiplexer switches over to the other clock input on the first incoming rising edge. During this switching operation, the output of the smart multiplexer is low. Upon restoration of the higher priority clock, the smart multiplexer waits until it detects four complete cycles from the higher priority clock prior to switching the output of the smart multiplexer back to the higher priority clock. During this switching operation, the output of the smart multiplexer remains high until the next falling edge as shown in Figure 29.

8.3.3.1 Pin Configuration of the Smart Input Multiplexer (INMUX)

Table 7 shows how to control the smart input multiplexer. In pin configuration mode, the INSEL pin is sampled continuously, so that the application may select the input clock at any time.

Table 7. Control of INMUX via the INSEL Pin

INSEL(Pin 2)	IN1 BUFFER SETTING	IN2 BUFFER SETTING
LOW	ON and selected by INSEL multiplexer	OFF
HIGH	OFF	ON and selected by INSEL mux
OPEN	Smart multiplexer selects input. IN1 is the primary input (it has the highest priority, therefore if it is available, the smart multiplexer selects IN1)	

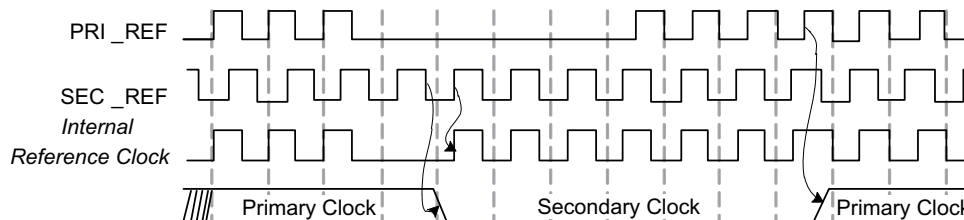


Figure 29. CDCUN1208LP Smart Multiplexer Operation

- (1) This implementation does not implement a phase build-out mechanism; rather, analog filtering insuring a smooth transition at device outputs.

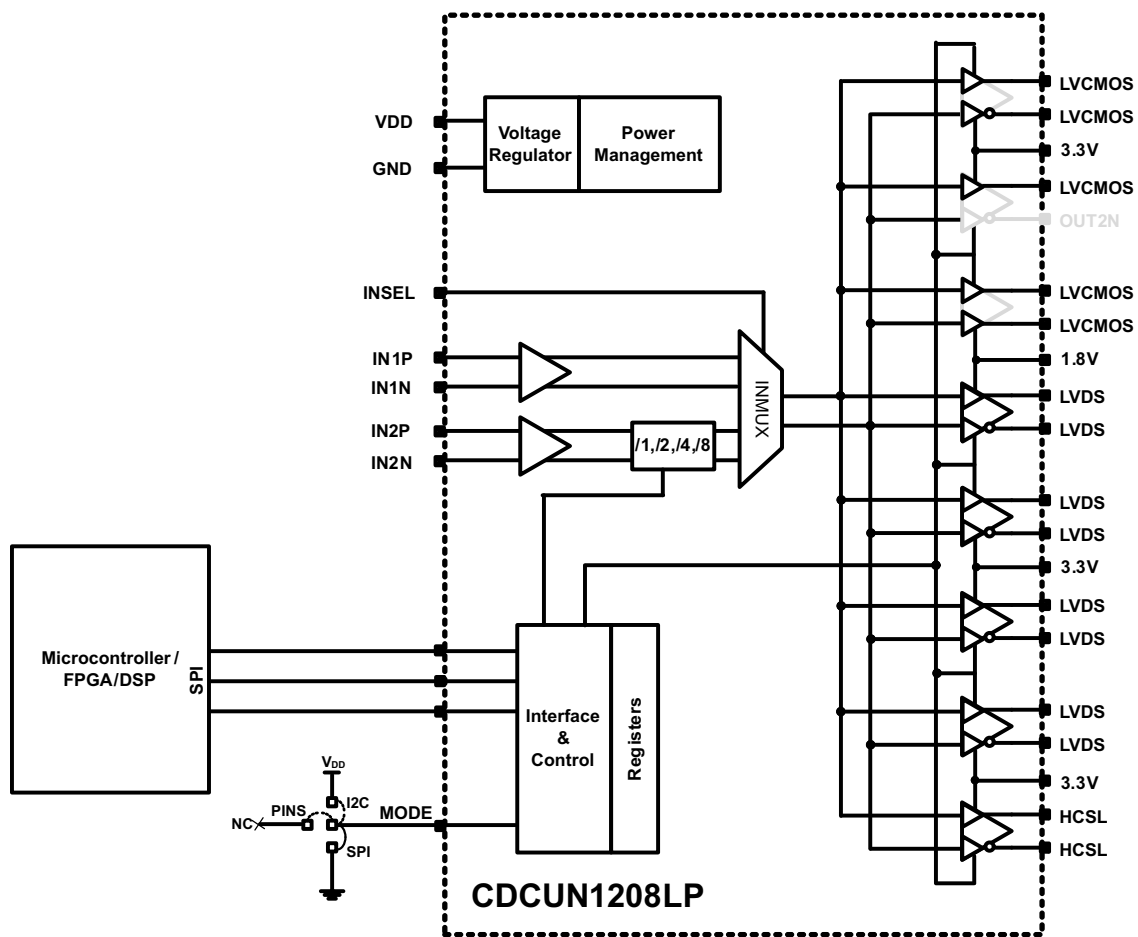
8.4 Device Functional Modes

8.4.1 Device Control Using the Host Interface

Host configuration mode affords a greater degree of flexibility. Unlike pin configuration mode, in which the pin settings affect the entire device, host configuration mode enables the user to apply different settings to each input and output port, as depicted in Figure 30. This includes the ability to mix and match output type, edge rate control, and output enable settings. The host interface is enabled or selected by strapping the MODE pin either high (for I²C) or low (for SPI) and resetting the device. Additional device features are accessible only through the host interface as well. For instance, the user can configure the input divider (IDIV) to /8 in host configuration mode only. Additionally, the system can power down the device through device registers.

8.4.1.1 OE and INSEL in Host Configuration Mode

In host configuration mode, the OE pin is no longer available; thus buffers are controlled individually through the host interface. The input multiplexer can be controlled either through the pin or through the device registers, in accordance with Table 12.



Copyright © 2017, Texas Instruments Incorporated

Figure 30. CDCUN1208LP Host Configuration – Typical Application

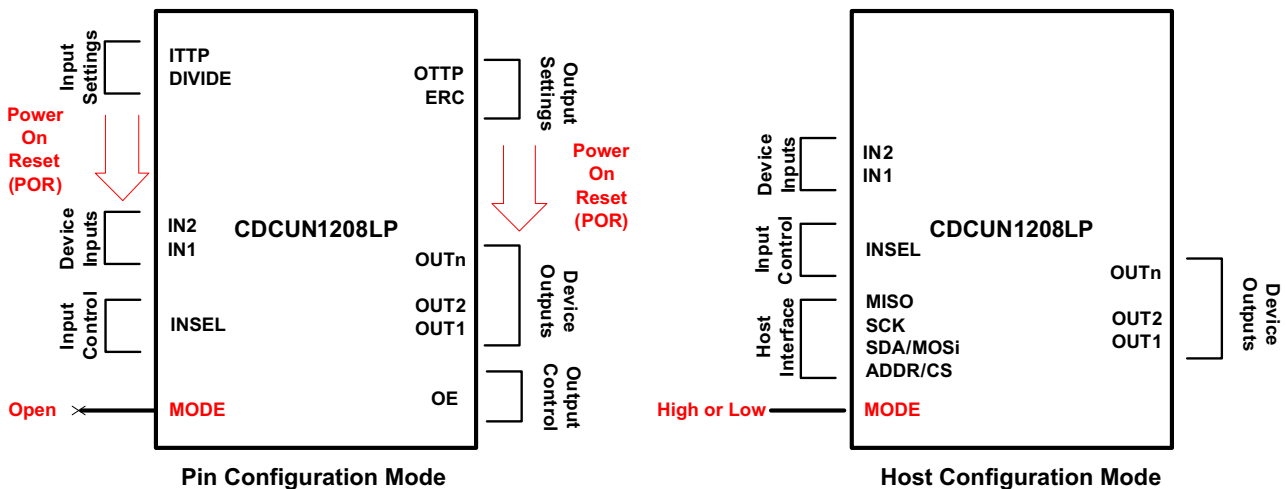
Device Functional Modes (continued)

When the host interface is enabled, certain pins take on alternative functions, according to Table 8.

Table 8. CDCUN1208LP Host Configuration Pins

PIN NAME IN HOST MODE	ALT PIN NAME IN PIN MODE (MODE = OPEN)	PIN NUMBER	PIN NAME IN HOST PROGRAMMING MODE (MODE/Pin 30 is tied high or low)	PIN NAME IN PIN CONFIGURATION MODE (only if MODE/Pin 30 is OPEN)
MODE		30	Programming mode 1 = I ² C, 0 = SPI, OPEN = Pins (alternative description applies)	
SDA/MOSI	DIVIDE	1	Host interface data (I ² C) / SPI Master output slave input (data In)	Input divider pin control
MISO	OTTP	19	SPI master input slave output (data out)	Output type (OTTP) pin control
SCL	OE	32	Host interface clock	Device output enable 1 = Enable, 0 = Disable
ADDR/CS	ERC	31	Host interface address (I ² C) / chip select (SPI) Pull ADDR to GND for I2C communication	Output edge rate control 1 = Fast, 0 = Slow, OPEN = Medium

The CDCUN1208LP samples the MODE pin after the device exits the power-on reset (POR) state. The device is placed in the RESET state in one of two ways: a POR circuit automatically resets the device after power is applied; or through the RESET bit (R15[1]) in register memory (see Table 12). This RESET bit is only accessible in host configuration mode. If the MODE pin (pin 11) is open (no connection), then the device is placed in the pin configuration mode and all settings are determined by the state of various pins according to Table 1 and Figure 28. If the MODE pin is low, then device enables the SPI interface; and, if MODE is high, then I²C is enabled.



Copyright © 2017, Texas Instruments Incorporated

Figure 31. CDCUN1208LP Pin and Host Configuration Mode

8.5 Programming

8.5.1 Host Interface Hardware Information

8.5.1.1 SPI Communication

A SPI communication link includes a master and one or more slaves (note that CDCUN1208LP supports only single-device). Table 8 lists the four signal lines that form a SPI communication link. Figure 32 shows the format for SPI messages. The SPI master (host) initiates communication by asserting SCS low. Information on SDI/SDO is latched on each rising edge of SCL. The first bit transmitted on SDI establishes the direction of the SPI transfer. Next, the master transmits the address to be written/read (up to 15 bits). If the operation is a write, the master transmits 16 data bits on SDI. If the transfer is a read, the slave transmits 16 data bits on SDO (the master continues to clock the transfer through SCL). Figure 34 and Table 9 show the timing specifications for SPI.

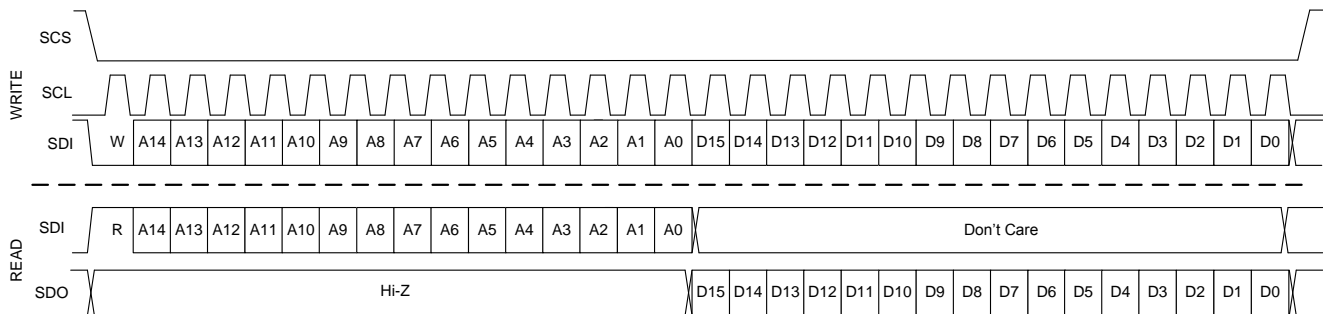


Figure 32. SPI Message Format

8.5.1.1.1 CDCUN1208LP SPI Addressing

Figure 33 shows how to construct the address field for SPI messages to and from the CDCUN1208LP. The device is assigned a 4-bit fixed address (0001b). For the host to communicate with the CDCUN1208LP, the address must include this fixed value in the correct position for the device to recognize the message.

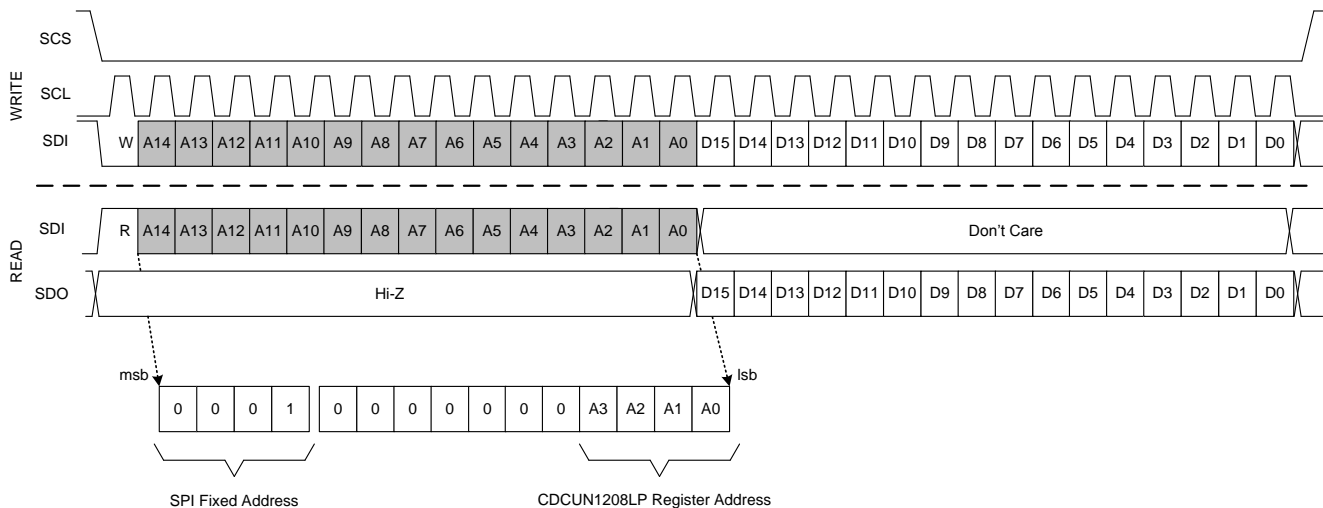


Figure 33. CDCUN1208LP Device Addressing - SPI Mode

8.5.1.1.2 Writing to the CDCUN1208LP

To initiate a SPI data transfer, the master (host) asserts the SCS (serial chip select) pin low (see Figure 32). The first rising edge of the clock signal (SCL) transfers the bit presented on the SDI pin of the CDCUN1208LP. This bit signals if a read (first bit high) or a write (first bit low) will transpire. The master shifts data to the slave with each rising edge of SCL. Following the W/R bit are 4 fixed bits followed by 11 bits that specify the address of the target register in the register file (see Figure 33). The 16 bits that follow are the data payload. If the master sends

Programming (continued)

an incomplete message, (that is, the master de-asserts the SCS pin high prior to a complete message transmission), then the slave aborts the transfer, and device makes no changes to the register file or the hardware. The master signals the slave of the completed transfer and disables the SPI port by de-asserting the SCS pin high. At no time should the clock be toggled while SCS is high. CDCUN1208LP should always be used in single-slave SPI configuration.

8.5.1.1.3 Reading From the CDCUN1208LP

As with the write operation, the master first initiates a SPI transfer by asserting the SCS pin low. The host signals a read operation by shifting a logical high in the first bit position, signaling the slave that the master is initiating a read data transfer from the slave. Thereafter, the master specifies the address of interest according to Figure 33. During the 16 clock cycles that follow, the slave presents the data from the register specified in the first half of the message on the SDO pin. The master signals the slave that the transfer is complete by de-asserting the SCS pin high. At no time should the clock be toggled while SCS is high. CDCUN1208LP should always be used in single-slave SPI configuration.

8.5.1.1.4 Block Write/Read Operation

The CDCUN1208LP supports a block write and block read operation. The master need only specify the lowest address of the sequence of addresses that the host needs to access. The CDCUN1208LP automatically increments the internal register address pointer if the SCS pin remains active low after the SPI port finishes the initial 32-bit transmission sequence. Each transmission of 16 bits (a data payload width) results in the slave automatically incrementing the address pointer (provided the SCS pin remains active low for all sequences).

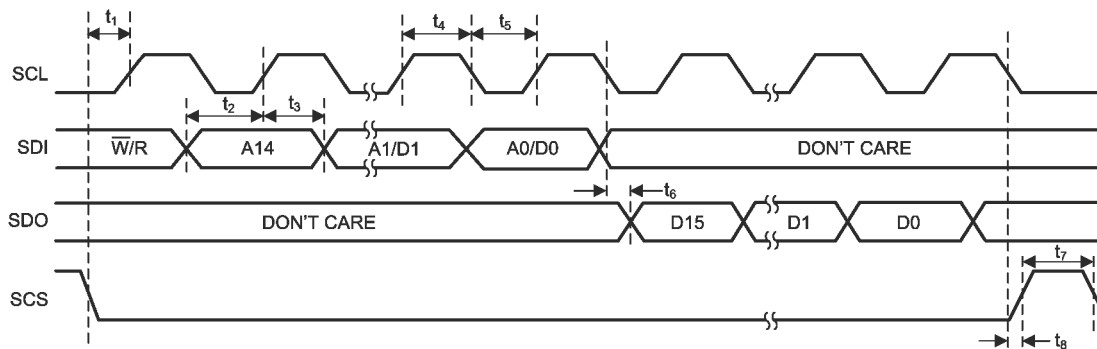


Figure 34. SPI Timing Diagram

Programming (continued)
Table 9. SPI Timing Specifications

PARAMETER		MIN	TYP	MAX	UNIT
f_{Clock}	Clock frequency for the SCL			20	MHz
t_1	SCS to SCL setup time	10			ns
t_2	SDI to SCL setup time	10			ns
t_3	SDI to SCL hold time	10			ns
t_4	SCL high duration	25			ns
t_5	SCL low duration	25			ns
t_6	SCL to SDO Setup time	10			ns
t_7	SCS pulse width	20			ns
t_8	SCL falling edge to SCS release time	10			ns

8.5.1.2 I²C Communication

The CDCUN1208LP incorporates an I²C port compliant with I²C Bus Specification V2.1 (7-bit addressing). Some highlights are contained herein to provide clarity with respect to how communication between the host and the CDCUN1208LP is facilitated. The I²C bus comprises two signals (clock – SCL, and data – SDA). I²C implements a master-slave protocol and supports multi-master implementations. Unlike SPI that implements a chip select signal for device-level addressing and separate data signals for transmit and receive, I²C embeds the device address in the serial data stream. Because of this, devices that reside on the I²C must have a unique bus address. I²C also uses the protocol to control the direction of data flow through the data signaling line.

8.5.1.2.1 Message Transmission

8.5.1.2.1.1 Data and Address Bits

When transmitting address or data bits, the transmitter must only change the state of SDA when SCL is low. During the time that SCL is high, SDA must be stable (no transitions).

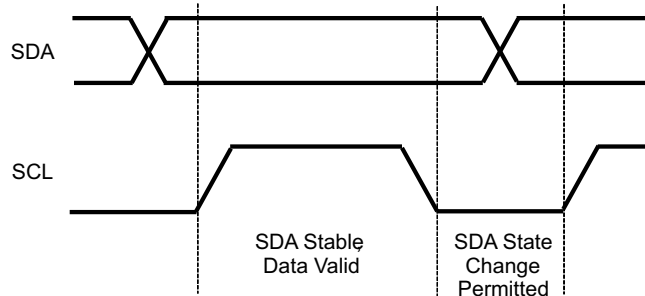


Figure 35. I²C Data/Address Bit Transmission

8.5.1.2.1.2 Special Symbols – Start (S) and Stop (P)

Messages are framed by the master by generating a START and a STOP symbol. The START symbol is signaled by transitioning the SDA line from high to low while the SCL line is high. The STOP symbol is signaled by transitioning the SDA line from low to high while the SCL line is high.

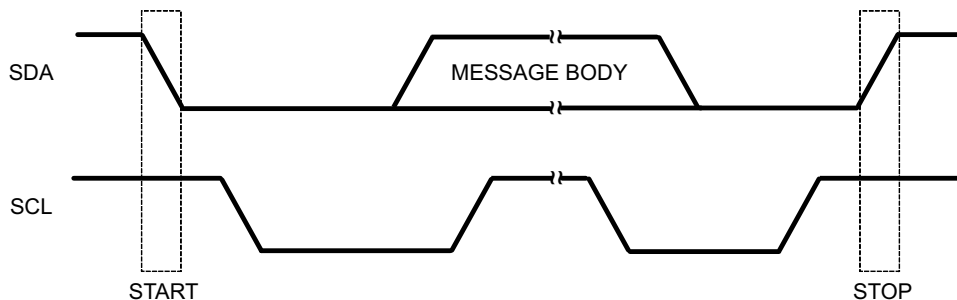


Figure 36. I²C Bus START and STOP Symbol Generation

8.5.1.2.1.3 Special Symbols – Acknowledge (ACK)

The acknowledge symbol must be sent by the receiver during the 9th clock cycle after the transmitter sends a byte of data. The transmitter allows the SDA pin to go high, and the receiver pulls the line low to acknowledge the receipt of the byte (leaving the SDA high indicates that the byte was not received). If this occurs the transmitter issues a STOP and retransmits the message. If the receiver is not prepared to receive another byte, it can suspend transmission by holding the SDA line low during the ACK time slot. When the receiver is ready to receive another byte, it releases the SDA line.

8.5.1.2.1.4 Generic Message Frame

Figure 37 shows a typical format for I²C messages. The message frame is bracketed by the START and STOP symbols (both generated by the master). If a START symbol has not been transmitted, then the bus is considered 'available'. If a START symbol has been transmitted and a STOP symbol has not been transmitted, the bus is considered 'busy'. The first 8 bits transmitted include the R/W bit and a 7-bit I²C address field. The reception of each byte grouping that is transmitted must be acknowledged by the receiver. Next, the high byte of the data payload is transmitted (MSB first) followed by an acknowledgment by the receiver. Finally, the low byte is sent. After acknowledgment, the master sends a STOP symbol to end the message frame.

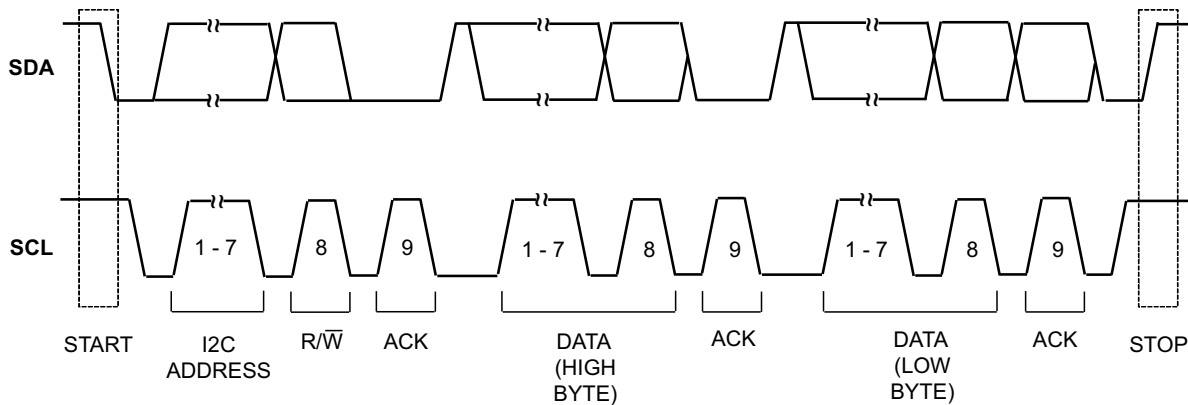

Figure 37. I²C Message Format
8.5.1.2.1.5 CDCUN1208LP Message Format

Figure 38 shows the format of addressing and flow control for I²C messages to and from the CDCUN1208LP. A message includes two address fields. The I²C address is used to support multiple devices on the bus (each device must have a unique I²C address). The register address specifies which register of the device identified by the I²C address is to be written/read.

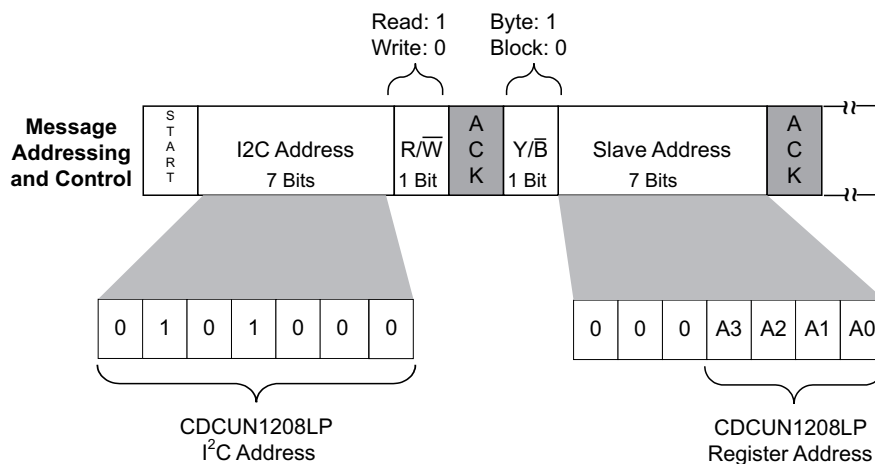

Figure 38. CDCUN1208LP I²C Message - Addressing
8.5.1.2.1.6 CDCUN1208LP Device Addressing (I²C Address)

Figure 38 outlines the construction of the I²C address shown in Figure 37. The I²C address is set to 7b'0101000, or 0x28. The ADDR pin must be pulled to ground. The next 8 bits transmitted is called the register address.

8.5.1.2.1.7 CDCUN1208LP Device Addressing (Register Address)

Figure 38 shows the format of the register address field of the I²C message. The first bit determines if the transfer is a byte or a block (more than one byte). The CDCUN1208LP register width is 16 bits (2 bytes), therefore, generally block addressing is used to access each register in its entirety. Because the I²C protocol requires that the slave address is a 7-bit field, the leading 3-bits are all '0' while the trailing 4-bits specify the device register of interest.

8.5.1.2.2 I²C Master and Slave Handshaking

Figure 39 shows the handshaking between the master (host) and the slave (CDCUN1208LP) that the I²C protocol supports. In all cases, the master drives the SCL (clock line); however, depending on the direction of transfer/acknowledgment, the master or the slave device drives SDA (data line).

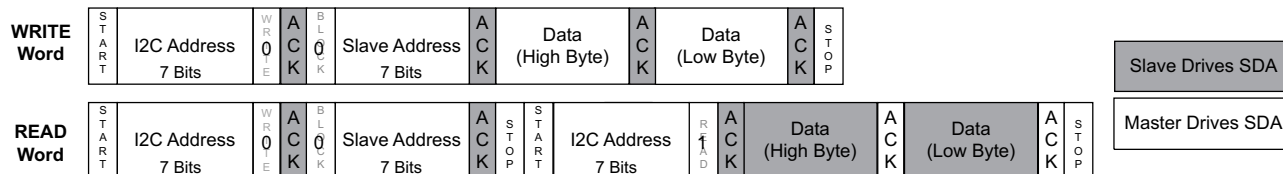


Figure 39. I²C Master and Slave Handshaking Example

8.5.1.2.3 Block Read/Write

For block write/read operations, the bytes are accessed in sequential order from lowest to highest byte (with most significant bit first), with the ability to stop after any complete byte has been transferred. The start address of the transfer is specified in the same way a single word transfer is initiated.

8.5.1.2.4 I²C Timing

Figure 40 and Table 10 provide details regarding the timing requirements for I²C:

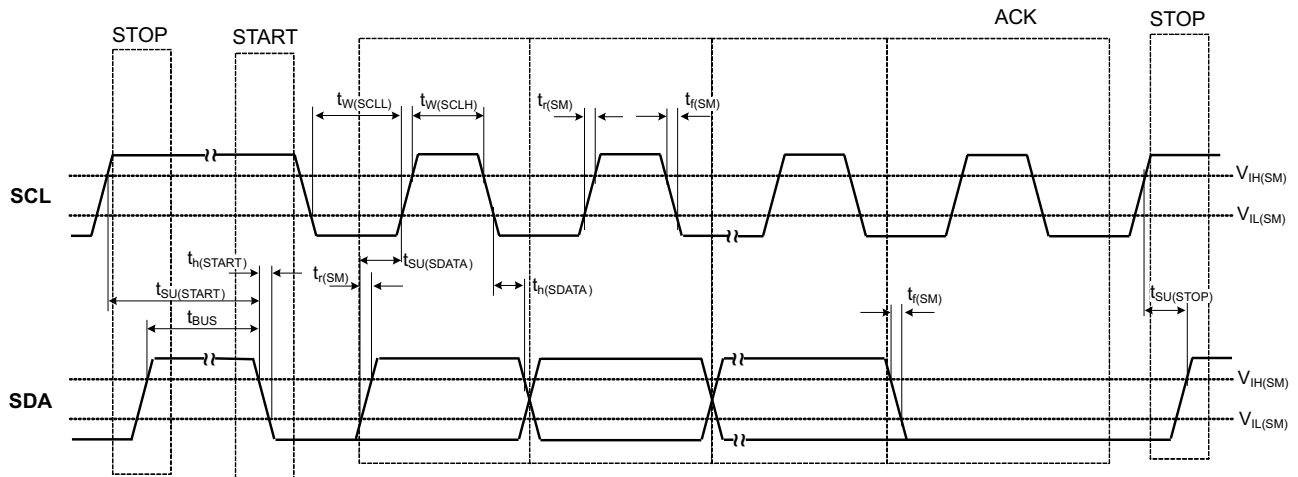


Figure 40. I²C Timing Diagram

Table 10. I²C Timing Requirements

PARAMETER		MIN	MAX	UNIT
f_{SCL}	SCL clock frequency	0	100	kHz
$t_{su}(START)$	START setup time (SCL high before SDA low)	4.7		μs
$t_h(START)$	START hold time (SCL low after SDA low)	4		μs
$t_w(SCLL)$	SCL low-pulse duration	4.7		μs
$t_w(SCLH)$	SCL high-pulse duration	4		μs
$t_h(SDA)$	SDA hold time (SDA valid after SCL low)	0	3.45	μs
$t_{su}(SDA)$	SDA setup time	250		ns
t_r	SCL / SDA input rise time		1000	ns
t_f	SCL / SDA input fall time		300	ns
$t_{su}(STOP)$	STOP setup time	4		μs
t_{BUS}	Bus free time between a STOP and START condition	4.7		μs

8.6 Register Maps

8.6.1 Device Registers

8.6.1.1 Device Registers: Register 00-07

Register 00: OUT1

Register 01: OUT2

Register 02: OUT3

Register 03: OUT4

Register 04: OUT5

Register 05: OUT6

Register 06: OUT7

Register 07: OUT8

Table 11. CDCUN1208LP Register 0–7 Bit Definitions

RAM BIT	BIT NAME	RELATED BLOCK	DESCRIPTION / FUNCTION	POWER UP CONDITION	
15	TI RESERVED		TI RESERVED		
14					
13					
12					
11					
10	OUTx_CMOS_MODE	Reg 00: OUT1 Reg 01: OUT2 Reg 02: OUT3 Reg 03: OUT4 Reg 04: OUT5 Reg 05: OUT6 Reg 06: OUT7 Reg 07: OUT8	OUTx CMOS MODE 1 – Both sides pseudo differential 0 – Both sides in phase	0	
9	OUTx_ERC[2:0]		OUTx Edge Rate Control 111 – Medium 100 – Fast 000 – Slow	0	
8				0	
7				0	
6	TI RESERVED			TI RESERVED	0
5					0
4	OUTx_OE[1:0]			OUTx Output Enable OTTP = LVCMOS 11 – OUT1P: ON OUT1N: ON 10 – OUT1P: ON OUT1N: OFF 01 – OUT1P: OFF OUT1N: ON 00 – OUT1P: OFF OUT1N: OFF	0
3				OTTP = Differential (LVDS, HCSSL) 00 – OFF 11 – ON	0
2	OUTx_OTTP[1:0]			OUTx Output Type 11 – HCSSL 10 – Reserved 01 – LVCMOS 00 – LVDS	0
1					0
0	OUTx_PD		OUTx Buffer 1 – Disabled in Tri-State 0 – Enabled	0	

Table 12. CDCUN1208LP Registers 11–15 Bit Definitions

REGISTER ADDRESS	RAM BIT	BIT NAME	RELATED BLOCK	DESCRIPTION / FUNCTION	POWER UP CONDITION
11	15	TI RESERVED			
	14	TI RESERVED			
	13	TI RESERVED			
	12	TI RESERVED			
	11	TI RESERVED			
	10	TI RESERVED			
	9	TI RESERVED			
	8	TI RESERVED			0
	7	TI RESERVED			0
	6	TI RESERVED			0
	5	IN_DIV[1]	Input (IN2 – Divider)	Input Divider Control 1 1 = /8 1 0 = /4 0 1 = /2 0 0 = /1	0
	4	IN_DIV[0]			0
	3	IN_TYPE[1]	Input ⁽¹⁾ (IN1 and IN2 Type)	Input Type 1 1 = HCSSL 1 0 = LVCMOS 0 1 = LVCMOS 0 0 = LVDS	0
2	IN_TYPE[0]	0			
1	INSEL[1]	Input (multiplexer)	Input Multiplexer Control 1 1 = Control through INSEL pin 1 0 = Smart MUX enabled, IN 1=primary 0 1 = IN2 buffer selected 0 0 = IN1 buffer selected	0	
0	INSEL[0]			0	
12-14	ALL	TI RESERVED			
15	2-15	TI RESERVED			
	1	RESET		Device Reset 1 = Reset device 0 = Run device	0
	0	PD		Device Power Down 1 = Device is powered down 0 = Device is active	0

(1) When configuring device inputs as LVCMOS, apply the single-ended clock signal to INxP and leave INxN either floating or ground it. The power supply voltage (1.8 V, 2.5 V, or 3.3 V) applied to V_{DD} (pin 5) establishes the switching thresholds for IN1 and IN2 in LVCMOS mode.

9 Application and Implementation

NOTE

Information in the following applications sections is not part of the TI component specification, and TI does not warrant its accuracy or completeness. TI's customers are responsible for determining suitability of components for their purposes. Customers should validate and test their design implementation to confirm system functionality.

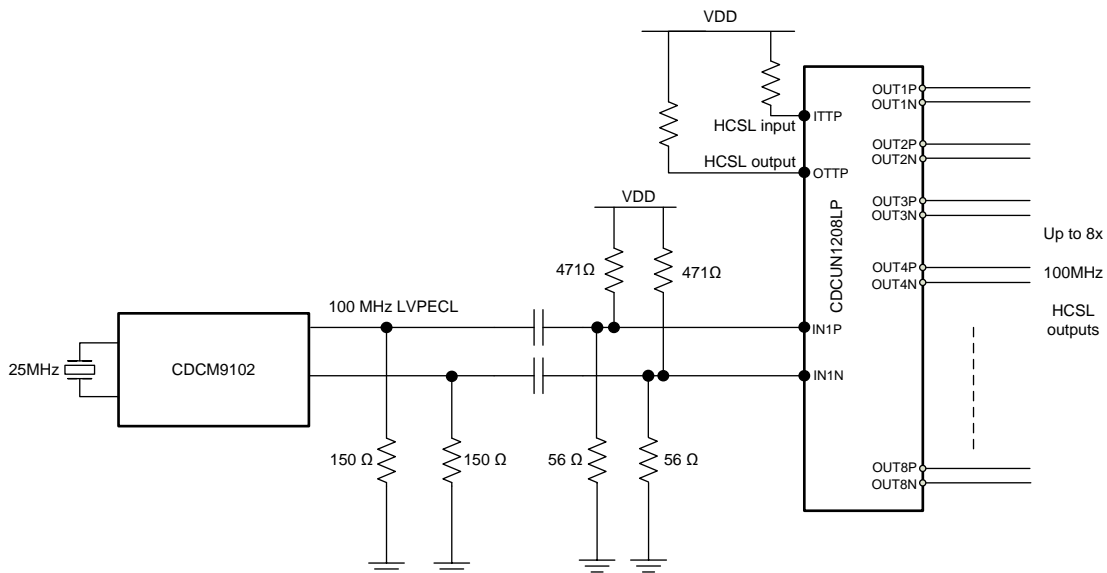
9.1 Application Information

The CDCUN1208LP is a low additive jitter, 2:8 fan-out buffer with universal inputs and outputs. The low-power consumption, low output skew, and low additive jitter make for a flexible device in demanding applications.

9.2 Typical Application

9.2.1 PCI Express Applications

Texas Instruments offers a complete clock solution for PCI Express applications. The CDCUN1208LP can be used to fan out the 100-MHz clock signal provided by the CDCM9102 as depicted in Figure 41.



Copyright © 2017, Texas Instruments Incorporated

Figure 41. Clock Solution for PCIe Express Applications

9.2.1.1 Design Requirements

For this design example, use the parameters shown in Table 13.

Table 13. Design Parameters

PARAMETER	VALUE
$f_{IN1,2}$	Input single ended frequency of at least 800 kHz and at most 250 MHz.
f_{INDIFF}	Input differential frequency of at least 800 kHz and at most 400 MHz (here 100 MHz).
$\Delta V/\Delta T$ Input edge rate	Input slew rate of at least 0.75 V/ns.

9.2.1.2 Detailed Design Procedure

The CDCUN1208LP is a easy-to-use device. The user determines the following parameters in order:

In control mode:

- Pin control mode or SPI mode (host interface) : this is done by externally pulling up or pulling down the MODE pin.

In pin control mode:

- The input type, optional input divider ratio and input multiplexer selection should be set.
- The output type, optional output edge rate control, and output enable should be set. This is described in detail in [Device Control Using Configuration Pins](#).

In host control mode:

- SPI interface should be connected to the host (only one CDCUN1208LP device can be connected to the bus).
- Communication should follow the procedure described in [Device Control Using the Host Interface](#).

9.2.1.3 Application Curves

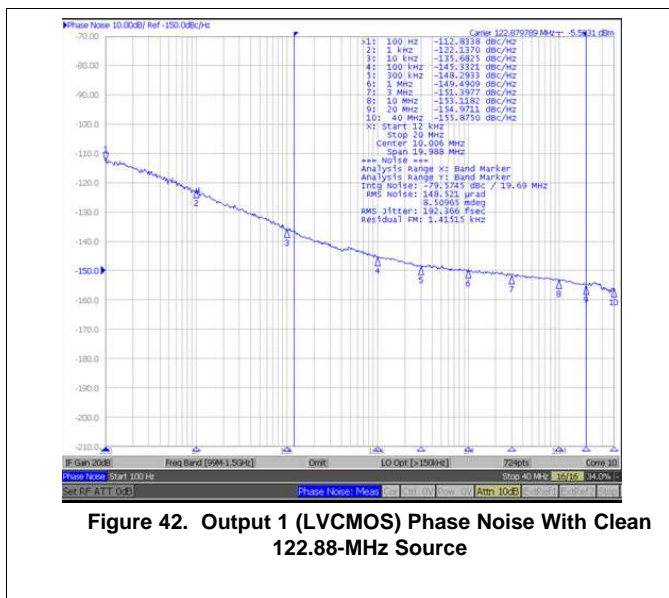


Figure 42. Output 1 (LVCMOS) Phase Noise With Clean 122.88-MHz Source

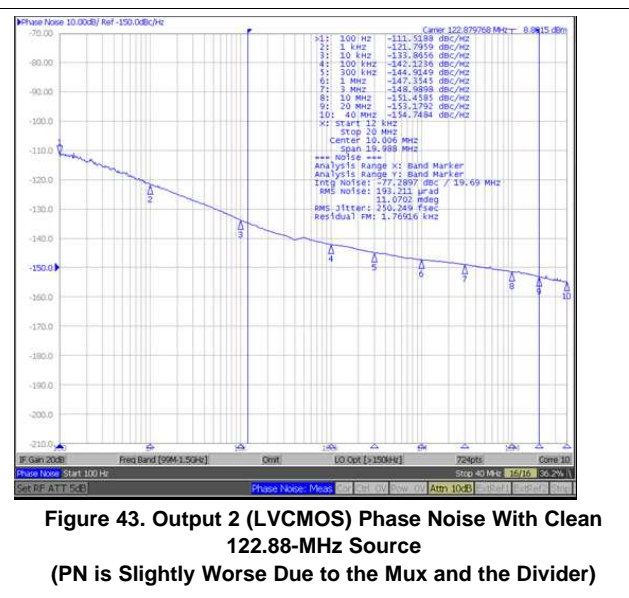
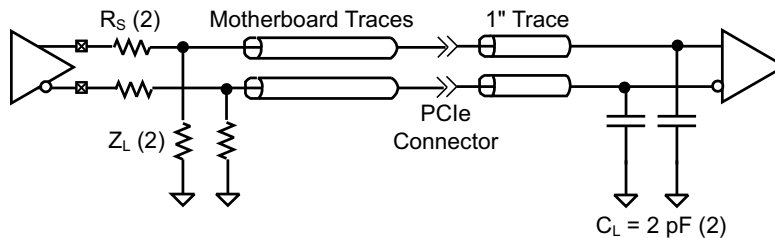


Figure 43. Output 2 (LVCMOS) Phase Noise With Clean 122.88-MHz Source (PN is Slightly Worse Due to the Mux and the Divider)

9.3 Systems Examples

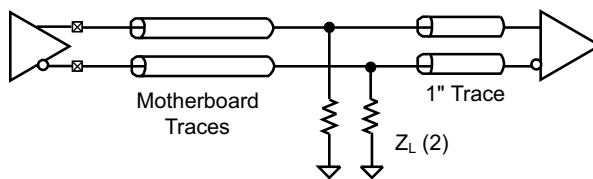
Figure 44 shows a typical application in which the receiver is off-board. The PCIe Specification (CEM2.0) requires that all source termination is on the motherboard (not on the daughter card). For this reason, the termination resistors are placed as shown. Additionally, source resistors are employed to eliminate ringing. In this case, Z_L can vary between $40\ \Omega$ and $60\ \Omega$ and R_S can range from $22\ \Omega$ to $33\ \Omega$.



Copyright © 2017, Texas Instruments Incorporated

Figure 44. Typical Configuration – Off-Board Receiver

Figure 45 shows a typical application in which the receiver is on-board. In this case, series resistors are not required to eliminate ringing as proper termination is achieved. In this case, two termination resistors, $Z_L = 49.9\ \Omega$, are placed close to the receiver.



Copyright © 2017, Texas Instruments Incorporated

Figure 45. Typical Configuration – On-Board Connection

10 Power Supply Recommendations

10.1 CDCUN1208LP Power Consumption

Table 14. CDCUN1208LP Power Consumption (T_A = –40°C to 85°C)

PARAMETER	DEVICE SETTINGS (See Table 1) ⁽¹⁾							TEST CONFIGURATION	DESCRIPTION	MAX CURRENT V _{DD} = 1.8V f _{OUT} = f _{in} = 100 MHz	MAX CURRENT V _{DD} = 3.3V f _{OUT} = f _{in} = 100MHz	UNIT
	MODE	OE	ERC	OTTP	INSEL	ITTP	PD Bit					
I _{PD1.8,3.3}	L or H	L	X	X	X	L	H	Host configuration mode (see Host Configuration Mode)	Device power down	3	4	mA
I _{CORE1.8,3.3}	O	L	X	X	X	L	X	Figure 25a,b,c	Device outputs off	26	35	mA
I _{HCSL1.8,3.3}	O	H	O	H	L	O	X	Figure 25a	HCSL buffer current consumption ⁽²⁾	23	23	mA
I _{LVDS1.8,3.3}	O	H	O	L	L	O	X	Figure 25b	LVDS buffer current consumption ⁽²⁾	9	9	mA
I _{LVC MOS1.8,3.3}	O	H	O	O	L	O	X	Figure 25c	LVC MOS buffer current consumption (one side) ⁽²⁾	8	11	mA
I _{DEV-HCSL1.8,3.3}	O	H	O	H	L	O	X	Figure 25a	Device current consumption – HCSL mode	200	200	mA
I _{DEV-LVDS1.8,3.3}	O	H	O	L	L	O	X	Figure 25b	Device current consumption – LVDS mode	80	90	mA
I _{DEV-LVC MOS1.8,3.3}	O	H	O	O	L	O	X	Figure 25c	Device current consumption – LVC MOS mode	130	210	mA

(1) H = input high, L = input low; O = input open

(2) Buffer current consumption values represent the average of the current drawn by V_{DDO1}, V_{DDO2}, V_{DDO3}, and V_{DDO4}, divided by 8 (differential mode) or 16 (single-ended mode).

10.2 Device Power Supply Connections and Sequencing

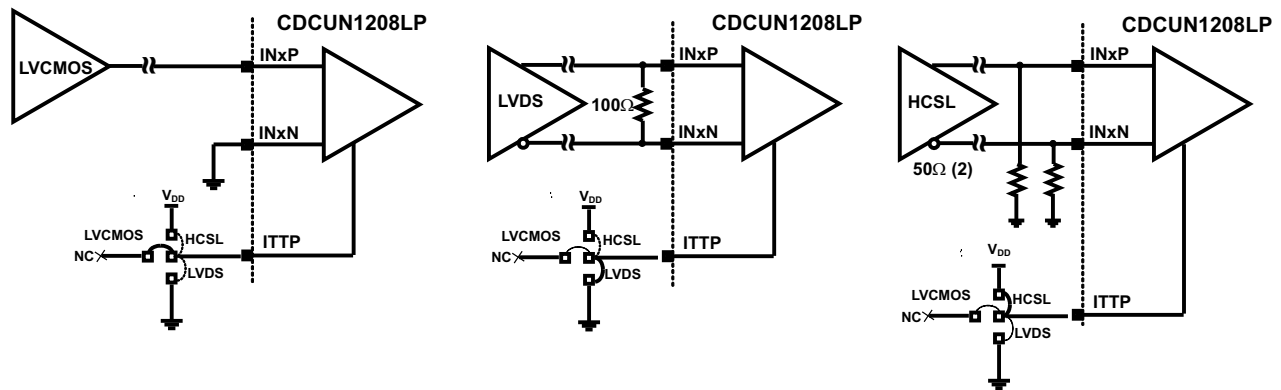
VDD (pin 5) is the core power supply of the device while VDDOx (pins 11, 14, 22, and 27) provide power for the output sections. The core supply must be present either before the application of the output power supplies or be present simultaneously. Applying an output power supply voltage on any of the VDDOx pins prior to the application of power to the core supply pin potentially results in improper device operation.

VDDO2 (pin 14) and VDDO4 (pin 27) provide power for OUT1/OUT2 and OUT7/OUT8, respectively. Additionally, these pins provide power to integrated voltage regulators that condition power for two banks of outputs. For example, the regulator associated with OUT1–OUT4 receives power from the VDDO2 pin. Consequently, if the application requires one or two outputs from a bank of four, then the application must use OUT3/OUT4 and apply power through VDDO2 ⁽¹⁾. Likewise, the regulator that conditions power for OUT5–OUT8 receives power from VDDO4 (pin 27). If the application uses subset of OUT5–OUT8, then OUT7/OUT8 must be used. For example, if the application uses 6 of the 8 output channels, then VDDO1, VDDO2, and VDDO4 (along with OUT1–OUT4, and OUT7–OUT8) must be used. If the application requires the use of 7 of the 8 output channels, the VDDO1–VDDO4 are used, and OUT1–OUT7 or OUT1–OUT6 and OUT8 could be used.

(1) If OUT1 or OUT2 are used and VDDO1 is powered but not VDDO2, the CDCUN1208LP will not function properly. Likewise, if OUT5 or OUT6 are used and VDDO3 is powered but not VDDO4, then the device will not function properly either.

10.3 Device Inputs (IN1, IN2)

Figure 46 shows how to interface certain common signaling formats to the device inputs of the CDCUN1208LP. This entails both proper signal termination as well as input buffer configuration through the input type (ITTP) pin.



Copyright © 2017, Texas Instruments Incorporated

Figure 46. Common Interfaces to Device Inputs – DC Coupling

11 Layout

11.1 Layout Guidelines

- Keep the connections between the bypass capacitors and the power supply on the device as short as possible.
- Ground the other side of the capacitor using a low impedance connection to the ground plane.
- If the capacitors are mounted on the back side, 0402 components can be employed.
- For component side mounting, use 0201 body size capacitors to facilitate signal routing.
- Use a matrix of ground vias to connect the thermal pad to the ground layer.

11.2 Layout Example

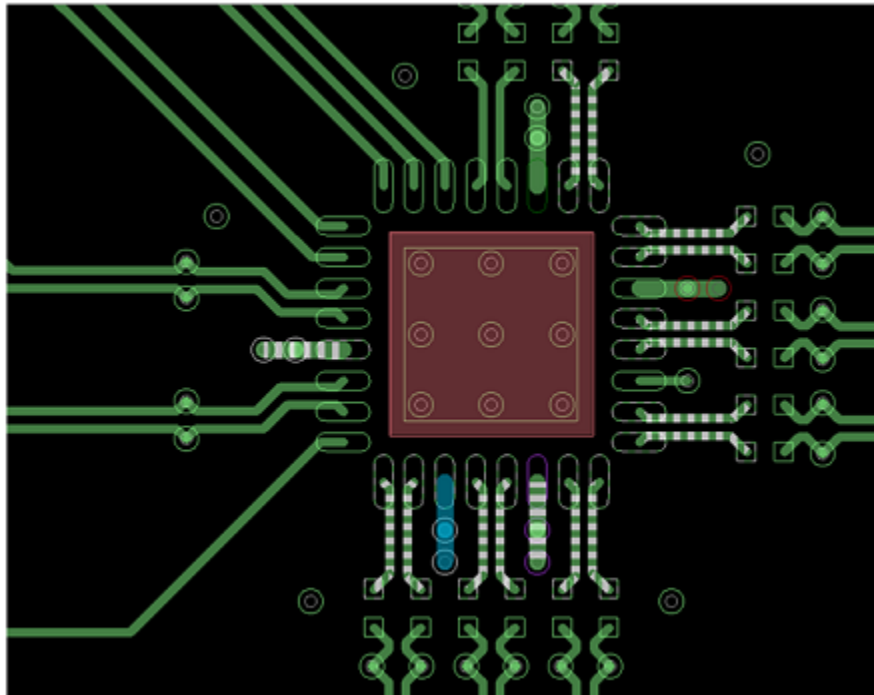


Figure 47. Example Layout

12 器件和文档支持

12.1 接收文档更新通知

要接收文档更新通知，请导航至 TI.com.cn 上的器件产品文件夹。单击右上角的 [通知我](#) 进行注册，即可每周接收产品信息更改摘要。有关更改的详细信息，请查看任何已修订文档中包含的修订历史记录。

12.2 社区资源

下列链接提供到 TI 社区资源的连接。链接的内容由各个分销商“按照原样”提供。这些内容并不构成 TI 技术规范，并且不一定反映 TI 的观点；请参阅 TI 的 [《使用条款》](#)。

TI E2E™ Online Community *TI's Engineer-to-Engineer (E2E) Community*. Created to foster collaboration among engineers. At e2e.ti.com, you can ask questions, share knowledge, explore ideas and help solve problems with fellow engineers.

Design Support *TI's Design Support* Quickly find helpful E2E forums along with design support tools and contact information for technical support.

12.3 商标

E2E is a trademark of Texas Instruments.
All other trademarks are the property of their respective owners.

12.4 静电放电警告



这些装置包含有限的内置 ESD 保护。存储或装卸时，应将导线一起截短或将装置放置于导电泡棉中，以防止 MOS 门极遭受静电损伤。

12.5 术语表

SLYZ022 — TI 术语表。

这份术语表列出并解释术语、缩写和定义。

13 机械、封装和可订购信息

以下页面包含机械、封装和可订购信息。这些信息是指定器件的最新可用数据。数据如有变更，恕不另行通知，且不会对此文档进行修订。如需获取此数据表的浏览器版本，请查阅左侧的导航栏。

重要声明和免责声明



TI 均以“原样”提供技术性数据（包括数据表）、设计资源（包括参考设计）、应用或其他设计建议、网络工具、安全信息和其他资源，不保证其中不含任何瑕疵，且不做任何明示或暗示的担保，包括但不限于对适销性、适合某特定用途或不侵犯任何第三方知识产权的暗示担保。

所述资源可供专业开发人员应用TI 产品进行设计使用。您将对以下行为独自承担全部责任：(1) 针对您的应用选择合适的TI 产品；(2) 设计、验证并测试您的应用；(3) 确保您的应用满足相应标准以及任何其他安全、安保或其他要求。所述资源如有变更，恕不另行通知。TI 对您使用所述资源的授权仅限于开发资源所涉及TI 产品的相关应用。除此之外不得复制或展示所述资源，也不提供其它TI 或任何第三方的知识产权授权许可。如因使用所述资源而产生任何索赔、赔偿、成本、损失及债务等，TI 对此概不负责，并且您须赔偿由此对TI 及其代表造成的损害。

TI 所提供产品均受TI 的销售条款 (<http://www.ti.com.cn/zh-cn/legal/termsofsale.html>) 以及ti.com.cn上或随附TI产品提供的其他可适用条款的约束。TI提供所述资源并不扩展或以其他方式更改TI 针对TI 产品所发布的可适用的担保范围或担保免责声明。

邮寄地址：上海市浦东新区世纪大道 1568 号中建大厦 32 楼，邮政编码：200122
Copyright © 2019 德州仪器半导体技术（上海）有限公司

PACKAGING INFORMATION

Orderable Device	Status (1)	Package Type	Package Drawing	Pins	Package Qty	Eco Plan (2)	Lead finish/ Ball material (6)	MSL Peak Temp (3)	Op Temp (°C)	Device Marking (4/5)	Samples
CDCUN1208LPRHBR	ACTIVE	VQFN	RHB	32	3000	RoHS & Green	NIPDAU	Level-2-260C-1 YEAR	-40 to 85	UN 1208LP	
CDCUN1208LPRHBT	ACTIVE	VQFN	RHB	32	250	RoHS & Green	NIPDAU	Level-2-260C-1 YEAR	-40 to 85	UN 1208LP	

(1) The marketing status values are defined as follows:

ACTIVE: Product device recommended for new designs.

LIFEBUY: TI has announced that the device will be discontinued, and a lifetime-buy period is in effect.

NRND: Not recommended for new designs. Device is in production to support existing customers, but TI does not recommend using this part in a new design.

PREVIEW: Device has been announced but is not in production. Samples may or may not be available.

OBsolete: TI has discontinued the production of the device.

(2) **RoHS:** TI defines "RoHS" to mean semiconductor products that are compliant with the current EU RoHS requirements for all 10 RoHS substances, including the requirement that RoHS substance do not exceed 0.1% by weight in homogeneous materials. Where designed to be soldered at high temperatures, "RoHS" products are suitable for use in specified lead-free processes. TI may reference these types of products as "Pb-Free".

RoHS Exempt: TI defines "RoHS Exempt" to mean products that contain lead but are compliant with EU RoHS pursuant to a specific EU RoHS exemption.

Green: TI defines "Green" to mean the content of Chlorine (Cl) and Bromine (Br) based flame retardants meet JS709B low halogen requirements of <=1000ppm threshold. Antimony trioxide based flame retardants must also meet the <=1000ppm threshold requirement.

(3) MSL, Peak Temp. - The Moisture Sensitivity Level rating according to the JEDEC industry standard classifications, and peak solder temperature.

(4) There may be additional marking, which relates to the logo, the lot trace code information, or the environmental category on the device.

(5) Multiple Device Markings will be inside parentheses. Only one Device Marking contained in parentheses and separated by a "~" will appear on a device. If a line is indented then it is a continuation of the previous line and the two combined represent the entire Device Marking for that device.

(6) Lead finish/Ball material - Orderable Devices may have multiple material finish options. Finish options are separated by a vertical ruled line. Lead finish/Ball material values may wrap to two lines if the finish value exceeds the maximum column width.

Important Information and Disclaimer:The information provided on this page represents TI's knowledge and belief as of the date that it is provided. TI bases its knowledge and belief on information provided by third parties, and makes no representation or warranty as to the accuracy of such information. Efforts are underway to better integrate information from third parties. TI has taken and continues to take reasonable steps to provide representative and accurate information but may not have conducted destructive testing or chemical analysis on incoming materials and chemicals. TI and TI suppliers consider certain information to be proprietary, and thus CAS numbers and other limited information may not be available for release.

In no event shall TI's liability arising out of such information exceed the total purchase price of the TI part(s) at issue in this document sold by TI to Customer on an annual basis.

TAPE AND REEL INFORMATION

QUADRANT ASSIGNMENTS FOR PIN 1 ORIENTATION IN TAPE


*All dimensions are nominal

Device	Package Type	Package Drawing	Pins	SPQ	Reel Diameter (mm)	Reel Width W1 (mm)	A0 (mm)	B0 (mm)	K0 (mm)	P1 (mm)	W (mm)	Pin1 Quadrant
CDCUN1208LPRHBR	VQFN	RHB	32	3000	330.0	12.4	5.3	5.3	1.1	8.0	12.0	Q2
CDCUN1208LPRHBT	VQFN	RHB	32	250	180.0	12.4	5.3	5.3	1.1	8.0	12.0	Q2

TAPE AND REEL BOX DIMENSIONS


*All dimensions are nominal

Device	Package Type	Package Drawing	Pins	SPQ	Length (mm)	Width (mm)	Height (mm)
CDCUN1208LPRHBR	VQFN	RHB	32	3000	367.0	367.0	35.0
CDCUN1208LPRHBT	VQFN	RHB	32	250	210.0	185.0	35.0

GENERIC PACKAGE VIEW

RHB 32

VQFN - 1 mm max height

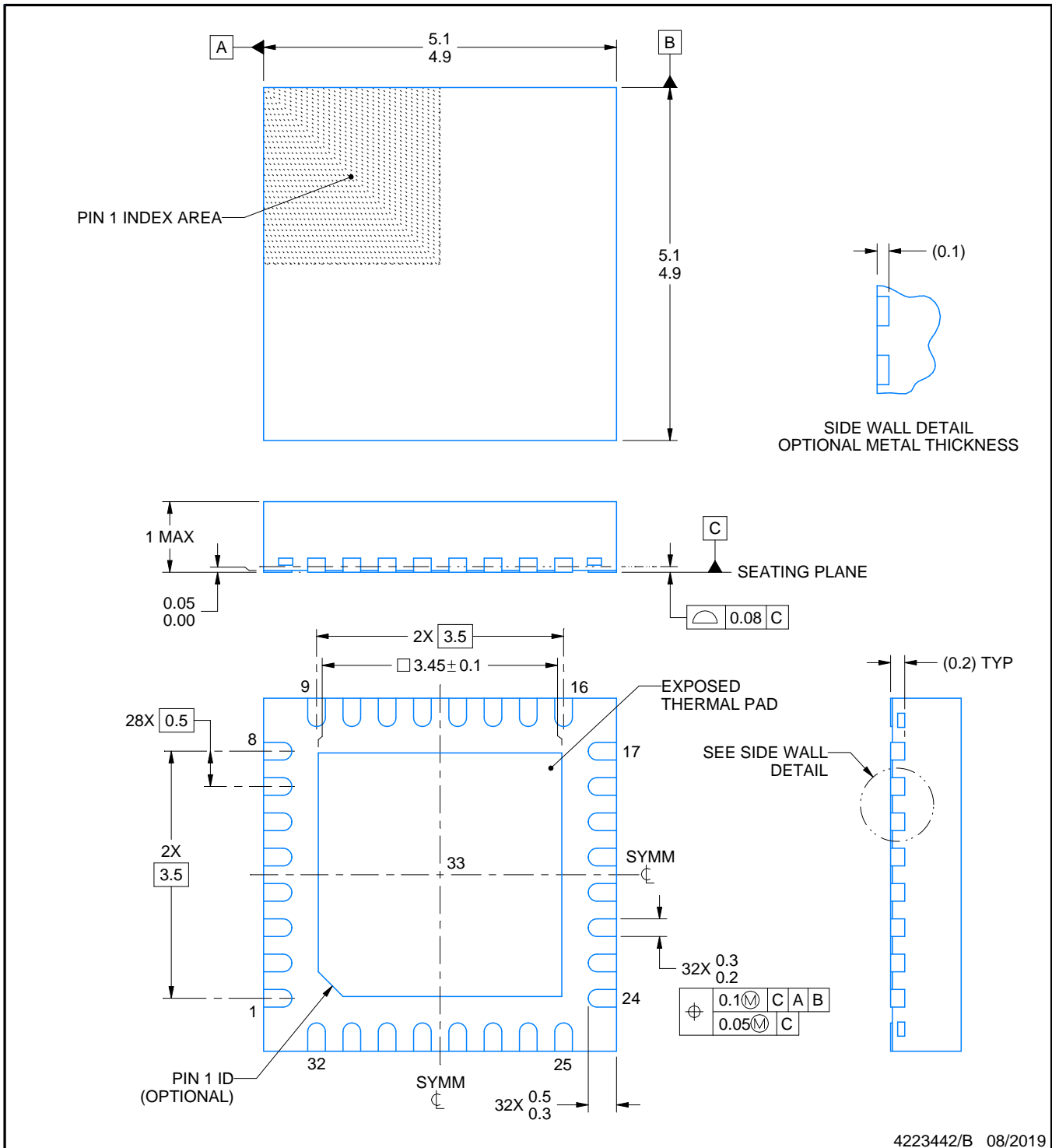
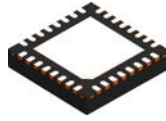
5 x 5, 0.5 mm pitch

PLASTIC QUAD FLATPACK - NO LEAD



Images above are just a representation of the package family, actual package may vary.
Refer to the product data sheet for package details.

4224745/A



4223442/B 08/2019

NOTES:

1. All linear dimensions are in millimeters. Any dimensions in parenthesis are for reference only. Dimensioning and tolerancing per ASME Y14.5M.
2. This drawing is subject to change without notice.
3. The package thermal pad must be soldered to the printed circuit board for thermal and mechanical performance.

EXAMPLE BOARD LAYOUT

RHB0032E

VQFN - 1 mm max height

PLASTIC QUAD FLATPACK - NO LEAD



LAND PATTERN EXAMPLE
SCALE:18X



SOLDER MASK DETAILS

4223442/B 08/2019

NOTES: (continued)

4. This package is designed to be soldered to a thermal pad on the board. For more information, see Texas Instruments literature number SLUA271 (www.ti.com/lit/sluea271).
5. Vias are optional depending on application, refer to device data sheet. If any vias are implemented, refer to their locations shown on this view. It is recommended that vias under paste be filled, plugged or tented.

EXAMPLE STENCIL DESIGN

RHB0032E

VQFN - 1 mm max height

PLASTIC QUAD FLATPACK - NO LEAD



SOLDER PASTE EXAMPLE
 BASED ON 0.125 mm THICK STENCIL

EXPOSED PAD 33:
 75% PRINTED SOLDER COVERAGE BY AREA UNDER PACKAGE
 SCALE:20X

4223442/B 08/2019

NOTES: (continued)

6. Laser cutting apertures with trapezoidal walls and rounded corners may offer better paste release. IPC-7525 may have alternate design recommendations.

重要声明和免责声明

TI 均以“原样”提供技术性及其可靠性数据（包括数据表）、设计资源（包括参考设计）、应用或其他设计建议、网络工具、安全信息和其他资源，不保证其中不含任何瑕疵，且不做任何明示或暗示的担保，包括但不限于对适销性、适合某特定用途或不侵犯任何第三方知识产权的暗示担保。

所述资源可供专业开发人员应用TI 产品进行设计使用。您将对以下行为独自承担全部责任：(1) 针对您的应用选择合适的TI 产品；(2) 设计、验证并测试您的应用；(3) 确保您的应用满足相应标准以及任何其他安全、安保或其他要求。所述资源如有变更，恕不另行通知。TI 对您使用所述资源的授权仅限于开发资源所涉及TI 产品的相关应用。除此之外不得复制或展示所述资源，也不提供其它TI 或任何第三方的知识产权授权许可。如因使用所述资源而产生任何索赔、赔偿、成本、损失及债务等，TI 对此概不负责，并且您须赔偿由此对TI 及其代表造成的损害。

TI 所提供产品均受TI 的销售条款 (<http://www.ti.com.cn/zh-cn/legal/termsofsale.html>) 以及ti.com.cn上或随附TI产品提供的其他可适用条款的约束。TI提供所述资源并不扩展或以其他方式更改TI 针对TI 产品所发布的可适用的担保范围或担保免责声明。

邮寄地址：上海市浦东新区世纪大道 1568 号中建大厦 32 楼，邮政编码：200122

Copyright © 2020 德州仪器半导体技术（上海）有限公司