

用于器件节点的 SN65HVD10x IO-Link PHY

1 特性

- 可配置的 CQ 输出：用于 SIO 模式的推挽式高侧或低侧
- 远程唤醒指示器
- 电流限值指示器
- 电源正常指示器
- 过热保护
- 反极性保护
- 可配置电流限值
- 9V 至 36V 电源范围
- 可耐受 50V 的峰值线路电压
- 3.3V/5V 可配置集成低压降稳压器 (LDO) (只适用于 SN65HVD101)
- 20 引脚四方扁平无引线 (QFN) 封装，4mm x 3.5mm

2 应用

- 适合于 IO-Link 器件节点

3 说明

SN65HVD101 和 'HVD102 IO-Link PHY 可实现针对工业点到点通信的 IO-LINK 接口。当此器件通过一个 3 线制接口连接至一个 IO-Link 主控器件时，主控器件能够发起通信并与远程节点交换数据，而此时 SN65HVD10X 则作为一个完整的通信物理层。

IO-Link 驱动器输出 (CQ) 可用于使用 EN 和 TX 输入引脚的推挽式高侧或低侧配置。PHY 接收器将 CQ 引脚上的 24V IO-Link 信号转换为 RX 引脚上的标准逻辑电平。使用一个简单并行接口在 PHY 与本地控制器之间接收和发送数据以及状态信息。

SN65HVD101 和 'HVD102 可实现针对过流、过压和过热条件的保护特性。可使用一个外部电阻器来设定 IO-Link 驱动器电流限值。如果出现一个短路电流故障，驱动器输出被内部限定，而 PHY 生成一个错误信号 (SC)。这些驱动器还执行一个过热关断特性，此特性保护器件不受高温故障的影响。

SN65HVD102 由一个 3.3V 或者 5V 本地单电源供电运行。SN65HVD101 集成了一个线性稳压器，此稳压器从 IO-Link L+ 电压中生成 3.3V 或 5V 电压，为 PHY 以及一个本地控制器和附加电路供电。

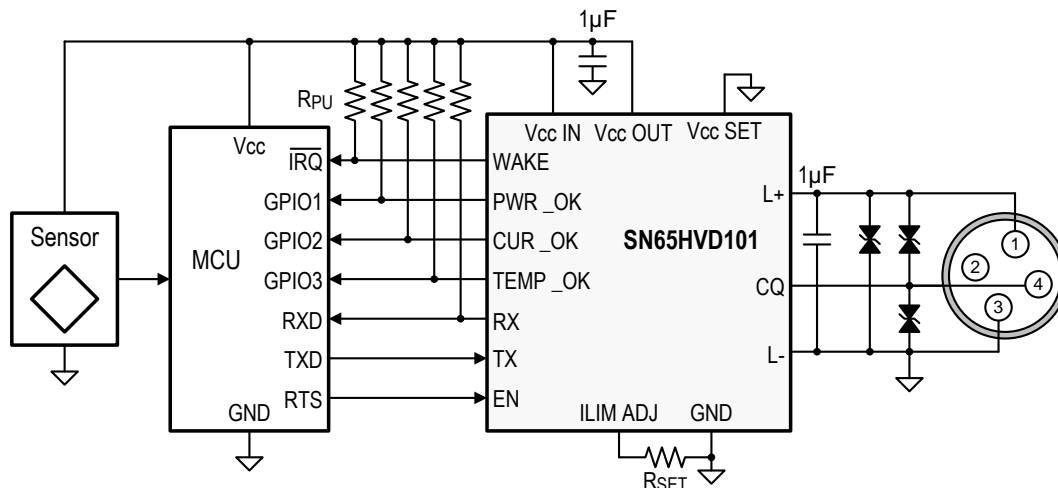
针对空间受限类应用，SN65HVD101 和 'HVD102 采用 20 引脚 RGB 封装 (4 mm x 3.5 mm QFN)。

器件信息⁽¹⁾

器件型号	封装	封装尺寸 (标称值)
SN65HVD101	QFN (20)	4.00mm x 3.50mm
SN65HVD102		

(1) 要了解所有可用封装，请参见数据表末尾的可订购产品附录。

简化电路原理图



Copyright © 2017, Texas Instruments Incorporated



目录

<p>1 特性 1</p> <p>2 应用 1</p> <p>3 说明 1</p> <p>4 修订历史记录 2</p> <p>5 Device Comparison Table 3</p> <p>6 Pin Configuration and Functions 3</p> <p>7 Specifications 4</p> <p style="padding-left: 20px;">7.1 Absolute Maximum Ratings 4</p> <p style="padding-left: 20px;">7.2 ESD Ratings 4</p> <p style="padding-left: 20px;">7.3 Recommended Operating Conditions 5</p> <p style="padding-left: 20px;">7.4 Thermal Information 5</p> <p style="padding-left: 20px;">7.5 Electrical Characteristics 6</p> <p style="padding-left: 20px;">7.6 Switching Characteristics 7</p> <p style="padding-left: 20px;">7.7 Typical Characteristics 8</p> <p>8 Parameter Measurement 8</p> <p>9 Detailed Description 9</p> <p style="padding-left: 20px;">9.1 Overview 9</p> <p style="padding-left: 20px;">9.2 Functional Block Diagram 10</p>	<p>9.3 Feature Description 10</p> <p>9.4 Device Functional Modes 13</p> <p>10 Application and Implementation 14</p> <p style="padding-left: 20px;">10.1 Application Information 14</p> <p style="padding-left: 20px;">10.2 Typical Application 14</p> <p style="padding-left: 20px;">10.3 System Examples 19</p> <p>11 Power Supply Recommendations 20</p> <p>12 Layout 21</p> <p style="padding-left: 20px;">12.1 Layout Guidelines 21</p> <p style="padding-left: 20px;">12.2 Layout Example 21</p> <p>13 器件和文档支持 22</p> <p style="padding-left: 20px;">13.1 相关链接 22</p> <p style="padding-left: 20px;">13.2 接收文档更新通知 22</p> <p style="padding-left: 20px;">13.3 社区资源 22</p> <p style="padding-left: 20px;">13.4 商标 22</p> <p style="padding-left: 20px;">13.5 静电放电警告 22</p> <p style="padding-left: 20px;">13.6 Glossary 22</p> <p>14 机械、封装和可订购信息 22</p>
--	--

4 修订历史记录

注：之前版本的页码可能与当前版本有所不同。

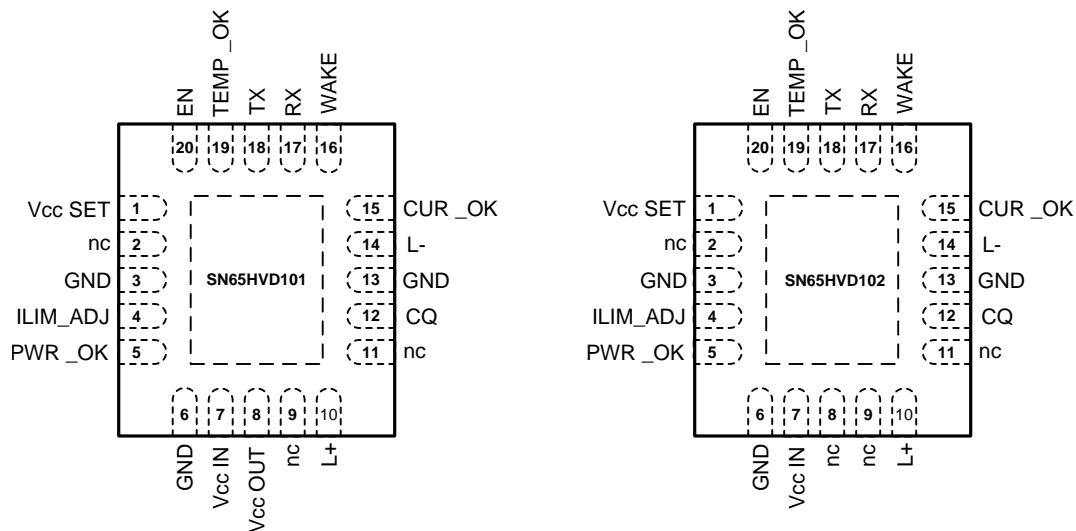
Changes from Revision C (February 2017) to Revision D	Page
<ul style="list-style-type: none"> • Changed From: 950 mW To: 950 W, and From: 475 mW To: 475 W in the <i>TVS Evaluation</i> section 16 	16
Changes from Revision B (April 2015) to Revision C	Page
<ul style="list-style-type: none"> • Changed pin 1 of the SN65HVD102 From: nc To: Vcc SET 3 	3
Changes from Revision A (March 2013) to Revision B	Page
<ul style="list-style-type: none"> • 已添加 器件信息和 ESD 额定值表、特性说明部分、器件功能模式、应用和实施部分、电源相关建议部分、布局部分、器件和文档支持部分以及机械、封装和可订购信息部分。 1 • 已更改 首页简化原理图。 1 • Changed Pin Functions table format 4 • Re-write detailed description section. 9 • Re-write application information section. 14 	14
Changes from Original (May 2011) to Revision A	Page
<ul style="list-style-type: none"> • 将器件从“产品预览”更改为了“生产” 1 	1

5 Device Comparison Table

DEVICE	VOLTAGE REGULATOR
SN65HVD101	Yes
SN65HVD102	No

6 Pin Configuration and Functions

RGB Package
20-Pin QFN with Thermal Pad
Top View



Pin Functions

PIN			DESCRIPTION
NAME	NUMBER	TYPE ⁽¹⁾	
IO-Link Interface			
L+	10	P	IO-Link supply voltage (24V nominal)
CQ	12	I/O	IO-Link data signal (bi-directional)
L-	14	P	IO-Link ground (connect to board ground)
Local Controller Interface			
CUR_OK	15	OD	High-CQ-current fault indicator output signal from PHY to the microcontroller. Connect this pin via pull-up resistor to Vcc OUT. A LOW level indicates over-current condition.
WAKE	16	OD	Wake up indicator from the PHY to the local controller Connect this pin via pull-up resistor to Vcc OUT.
RX	17	O	PHY receive data output to the local controller
TX	18	I	PHY transmit data input from the local controller
EN	20	I	Driver enable input signal from the local controller
Power Supply Pins			
V _{CC} IN	7	A	Voltage supply input for SN65HVD102 Voltage sense feedback input for the voltage regulator of the SN65HVD101. Connect this pin to pin 8 either directly or through a current boost transistor.
V _{CC} OUT	8	P	Not connected in SN65HVD102 Linear regulator output of SN65HVD101. Connect this pin to pin 7 either directly or through a current boost transistor.
GND	3, 6, 13	P	Logic ground potential

(1) Type definitions: I = Input, I/O = Input/Output, A = Analog, O - CMOS Output, OD = Open Drain Output, P = Power

Pin Functions (continued)

PIN			DESCRIPTION
NAME	NUMBER	TYPE ⁽¹⁾	
Special Connect Pins			
V _{CC} SET	1	I	Connect this pin to ground to make V _{CC} OUT = 3.3V. Leave this pin floating to make V _{CC} OUT = 5V.
ILIMADJ	4	A	Input for current limit adjustment. Connect resistor RSET between this pin and ground. For R _{SET} values see Figure 2 .
PWR_OK	5	OD	Power-Good indicator. Connect this pin via pull-up resistor to V _{CC} OUT. A HIGH at this pin indicates that L+ and V _{CC} OUT are at correct levels.
Temp_OK	19	OD	Temperature-Good indicator. Connect this pin via pull-up resistor to V _{CC} OUT. High-impedance at this pin indicates that the internal temperature is at a safe level. A low at this pin indicates the device is approaching thermal shutdown.
NC	2, 9, 11	–	No Connection. Leave these pins floating (open)

In normal operation, the PHY sets the output state of the CQ pin when the driver is enabled. During fault conditions, the driver may be disabled by internal circuits.

7 Specifications

7.1 Absolute Maximum Ratings

over operating free-air temperature range (unless otherwise noted) ⁽¹⁾

			MIN	MAX	UNIT
Line voltage	L+, CQ	Steady state	–40	40 ^{(2) (3)}	V
		Transient pulse width <100 μs	–50	50	V
Voltage difference	VL+ – VCQ			40	
Supply voltage	V _{CC}		–0.3	6	V
Input voltage	TX, EN, V _{CC} _SET, ILIMADJ,		–0.3	6	V
Output voltage	RX, CUR_OK, WAKE, PWR_OK		–0.3	6	V
Output current	RX, CUR_OK, WAKE, PWR_OK		–5	5	mA
Storage temperature, T _{stg}			–65	150	°C
Junction temperature, T _J				180	°C

- (1) Stresses beyond those listed under *Absolute Maximum Ratings* may cause permanent damage to the device. These are stress ratings only, which do not imply functional operation of the device at these or any other conditions beyond those indicated under *Recommended Operating Conditions*. Exposure to absolute-maximum-rated conditions for extended periods may affect device reliability.
- (2) All voltages are with reference to the GND pin, unless otherwise specified.
- (3) GND pin and L– line should be at the same DC potential

7.2 ESD Ratings

			VALUE	UNIT
V _(ESD)	Electrostatic discharge	Human-body model (HBM, all pins), per ANSI/ESDA/JEDEC JS-001 ⁽¹⁾	±2000	V

- (1) JEDEC document JEP155 states that 500-V HBM allows safe manufacturing with a standard ESD control process.

7.3 Recommended Operating Conditions

		MIN	NOM	MAX	UNIT
V _{L+}	Line voltage ⁽¹⁾	9	24	30	V
V _{CC}	Logic supply voltage (3.3V nominal)	3	3.3	3.6	V
V _{CC}	Logic supply voltage (5V nominal)	4.5	5	5.5	V
V _{IL}	Logic low input voltage			0.8	V
V _{IH}	Logic high input voltage	2			V
I _O	Logic output current	–4		4	mA
I _{CC(OUT)}	Logic supply current (HVD101)			20	mA
I _{O(LIM)}	CQ driver output current limit	100		450	mA
R _{SET}	External resistor for CQ current limit	0		20	kΩ
C _{COMP}	Compensation capacitor for voltage regulator (HVD101)	3.3			μF
1/t _{BIT}	Signaling rate	IO-Link mode		250	kbps
		SIO mode		10	
T _A	Ambient temperature	–40		105	°C
T _J	Junction temperature	–40		150	°C

(1) These devices will operate with line voltage as low as 9V and as high as 36V, however, the parametric performance is optimized for the IO-Link specified supply voltage range of 18V to 30V.

7.4 Thermal Information

THERMAL METRIC ⁽¹⁾		SN65HVD10x	UNITS
		RGB 20 PINS	
R _{θJA}	Junction-to-ambient thermal resistance	33.8	°C/W
R _{θJC(top)}	Junction-to-case (top) thermal resistance	36.6	
R _{θJB}	Junction-to-board thermal resistance	10.3	
ψ _{JT}	Junction-to-top characterization parameter	0.4	
ψ _{JB}	Junction-to-board characterization parameter	10.3	
R _{θJC(bot)}	Junction-to-case (bottom) thermal resistance	2.3	

(1) For more information about traditional and new thermal metrics, see the [Semiconductor and IC Package Thermal Metrics](#) application report.

7.5 Electrical Characteristics

over all operating conditions (unless otherwise noted)

PARAMETER		TEST CONDITIONS		MIN	TYP	MAX	UNIT
Driver							
I_{IN}	Input current (TX, EN)	$V_{IN} = 0V$ to V_{CC}		-100		100	μA
V_{RQH}	Residual voltage across the driver high side switch	ICQ = -250 mA	$18 < V_{L+}$	1.5		3	V
			$V_{L+} < 18$			3.5	V
		ICQ = -200 mA	$18 < V_{L+}$			2	V
			$V_{L+} < 18$			2.5	V
V_{RQL}	Residual voltage across the driver low side switch	ICQ = 250 mA	$18 < V_{L+}$	1.5		3	V
			$V_{L+} < 18$			3.5	V
		ICQ = 200 mA	$18 < V_{L+}$			2	V
			$V_{L+} < 18$			2.5	V
$ I_{O(LIM)} $	Driver output current limit	$R_{SET} = 20\text{ k}\Omega$		60	95	130	mA
		$R_{SET} = 0\text{ k}\Omega$		300	400	480	mA
$I_{(OZ)}$	CQ leakage current with EN = L	$V_{CQ} = 8\text{ V}$		-2		2	μA
Receiver							
V_{THH}	Input threshold "H"	$18\text{ V} < V_{L+} < 30\text{ V}$		10.5		13	V
V_{THL}	Input threshold "L"			8		11.5	V
V_{HYS}	Receiver Hysteresis ($V_{THH} - V_{THL}$)		0.5	1			V
V_{THH}	Input threshold "H"	$9\text{ V} < V_{L+} < 18\text{ V}$		Note (1)		Note(2)	V
V_{THL}	Input threshold "L"			Note (3)		Note(4)	V
V_{HYS}	Receiver Hysteresis ($V_{THH} - V_{THL}$)		0.25				V
V_{OL}	Output low voltage	RX	$I_{OL} = 4\text{ mA}$			0.4	V
		OD outputs	$I_{OL} = 1\text{ mA}$			0.4	
V_{OH}	Output high voltage	RX	$I_{OH} = -4\text{ mA}$	$V_{CC} - 0.5$			V
I_{OZ}	Output leakage current	OD outputs	Output in Z state, $V_O = V_{CC}$		0.03	1	μA
Protection Thresholds							
V_{PG1}	V_{L+} threshold for PWR_OK			8		10	V
V_{PG2}	V_{CC} threshold for PWR_OK	$V_{CC}\text{ Set} = \text{GND}$		2.45	2.75	3	V
		$V_{CC}\text{ Set} = \text{OPEN}$		3.9	4.25	4.6	
V_{POR1}	Power-on Reset for V_{L+}				6		V
V_{POR2}	Power-on Reset for V_{CC}				2.5		V
Voltage Regulator (HVD101)							
V_{CC_OUT}	Voltage regulator output	$9\text{ V} < V_{L+} < 30\text{ V}$	$V_{CC}\text{ SET} = \text{OPEN}$	4.5	5	5.5	V
			$V_{CC}\text{ SET} = \text{GND}$	3	3.3	3.6	
V_{DROP}	Voltage regulator drop-out voltage ($V_{L+} - V_{CC_OUT}$)	$I_{CC} = 20\text{ mA}$ load current			3.2	3.9	V
	Line regulation ($dV_{CC_OUT}/dL+$)	$9\text{ V} < V_{L+} < 30\text{ V}$, $I_{VCC} = 1\text{ mA}$			4		mV/V
	Load regulation (dV_{CC_OUT}/V_{CC_OUT})	$V_{L+} = 24\text{ V}$, $I_{VCC} = 100\text{ }\mu A$ to 20 mA			1.3%	5%	
PSRR	Power Supply Rejection Ratio	100 kHz, $I_{VCC} = 20\text{ mA}$		30	40		dB
Supply Current							
I_{L+}	Quiescent supply current	Driver disabled, No Load	HVD102		1	2	mA
			HVD101		1.3	3	
	Dynamic supply current		HVD102		2		
			HVD101		1.5		

(1) $V_{THH}(\text{min}) = 5V + (11/18)[V_{L+} - 9V]$

(2) $V_{THH}(\text{max}) = 6.5V + (13/18)[V_{L+} - 9V]$

(3) $V_{THL}(\text{min}) = 4V + (8/18)[V_{L+} - 9V]$

(4) $V_{THL}(\text{max}) = 6V + (11/18)[V_{L+} - 9V]$

7.6 Switching Characteristics

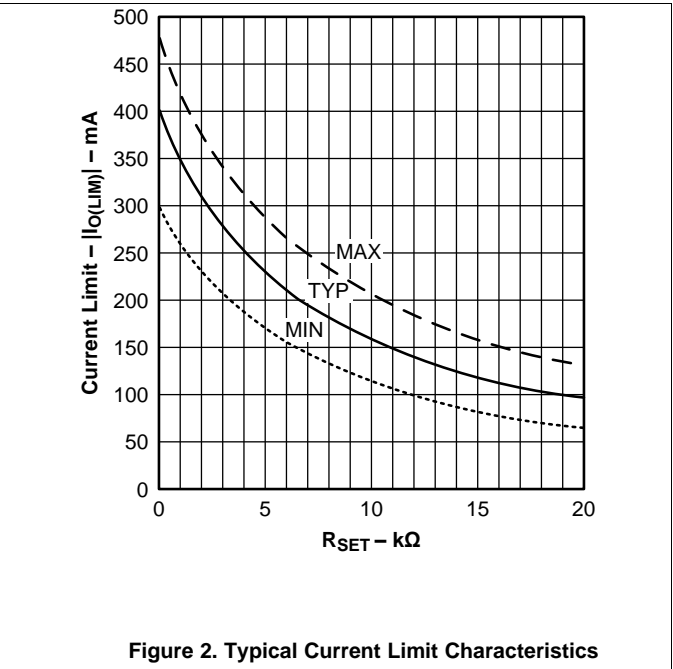
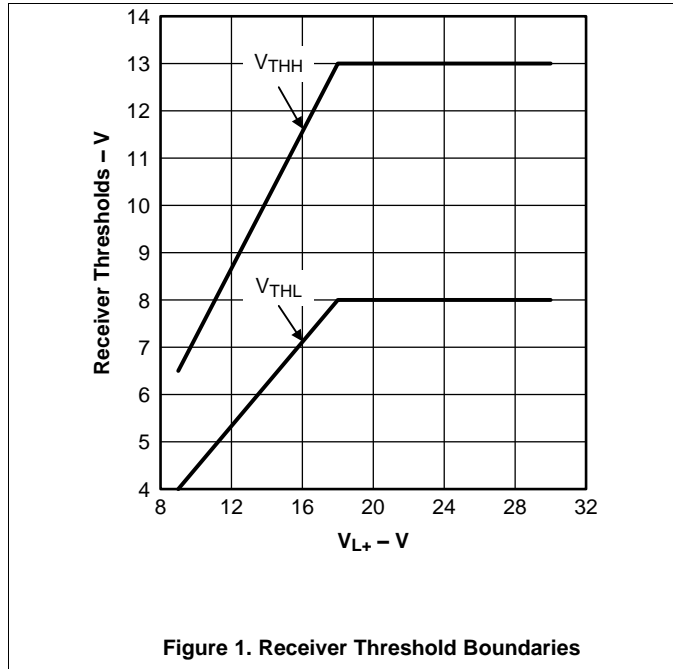
over operating free-air temperature range (unless otherwise noted)

PARAMETER		TEST CONDITIONS		MIN	TYP	MAX	UNIT
Driver							
t_{PLH}, t_{PHL}	Driver propagation delay	TX to CQ	Figure 1 , Figure 2 , Figure 3 , $R_L = 2k\Omega$ $C_L = 5\text{ nF}$ $R_{SET} = 0\ \Omega$	1	2		μs
$t_{P(skew)}$	Driver propagation delay skew			0.2			μs
t_{PZH}, t_{PZL}	Driver enable delay (EN to CQ)	$18\text{ V} < V_{L+} < 30\text{ V}$		5		μs	
		$9\text{ V} < V_{L+} < 18\text{ V}$		8			
t_{PHZ}, t_{PLZ}	Driver disable delay	$18\text{ V} < V_{L+} < 30\text{ V}$		5		μs	
		$V_{L+} < 18\text{ V}$		8			
t_r, t_f	Driver output rise, fall time	$18\text{ V} < V_{L+}$			869		ns
$ t_r - t_f $	Difference in rise and fall time			300			
Receiver							
t_{WU1}	Wake-up recognition begin	Figure 16		45	60	75	μs
t_{WU2}	Wake-up recognition end			85	100	135	
t_{pWAKE}	Wake-up output delay					155	
t_{ND}	Noise suppression time ⁽¹⁾					250	ns
t_{PR}	Receiver propagation delay	Figure 4	$18\text{ V} < V_{L+}$		300	600	ns
			$V_{L+} < 18\text{ V}$			800	
Protection Thresholds							
T_{SD}	Shutdown temperature	Die temperature		160	175	190	$^{\circ}\text{C}$
T_{RE}	Re-enable temperature ⁽²⁾			110	125	140	
	Thermal warning temperature (TEMP_OK)			120	135	150	
t_{pSC}	Current limit indicator delay			85		175	μs

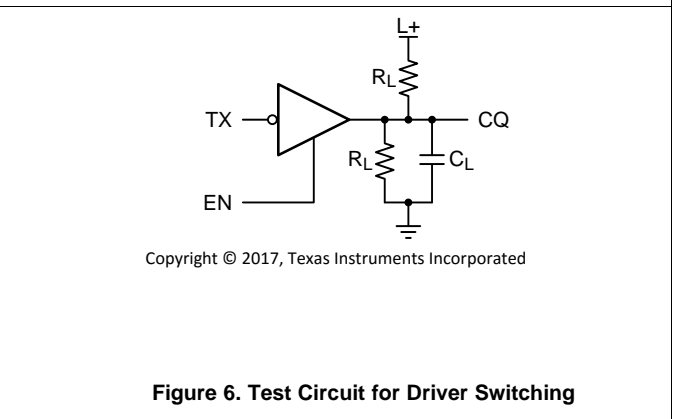
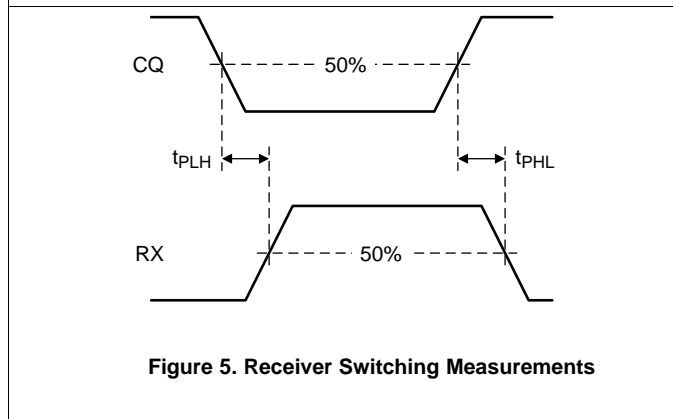
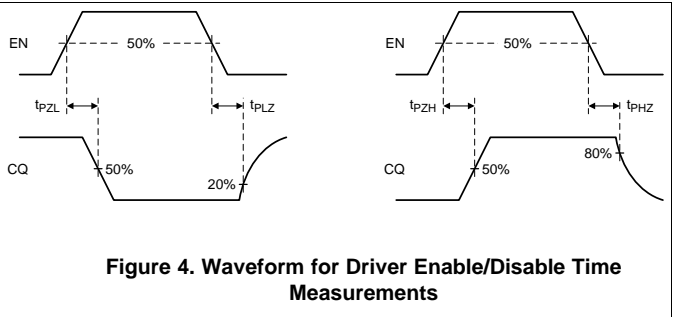
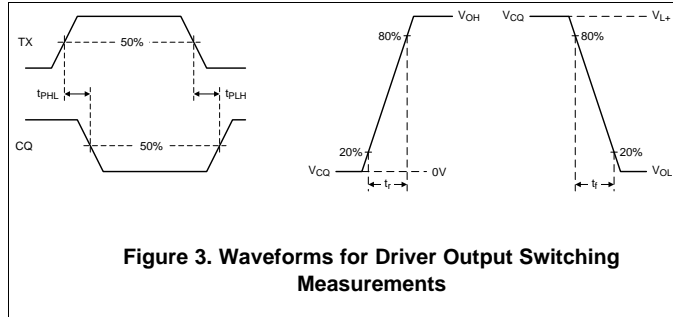
(1) Noise suppression time is defined as the permissible duration of a receive signal above/below the detection threshold without detection taking place.

(2) T_{RE} is always less than T_{WARN} so TEMP_OK is de-asserted (high impedance) when the device is re-enabled.

7.7 Typical Characteristics



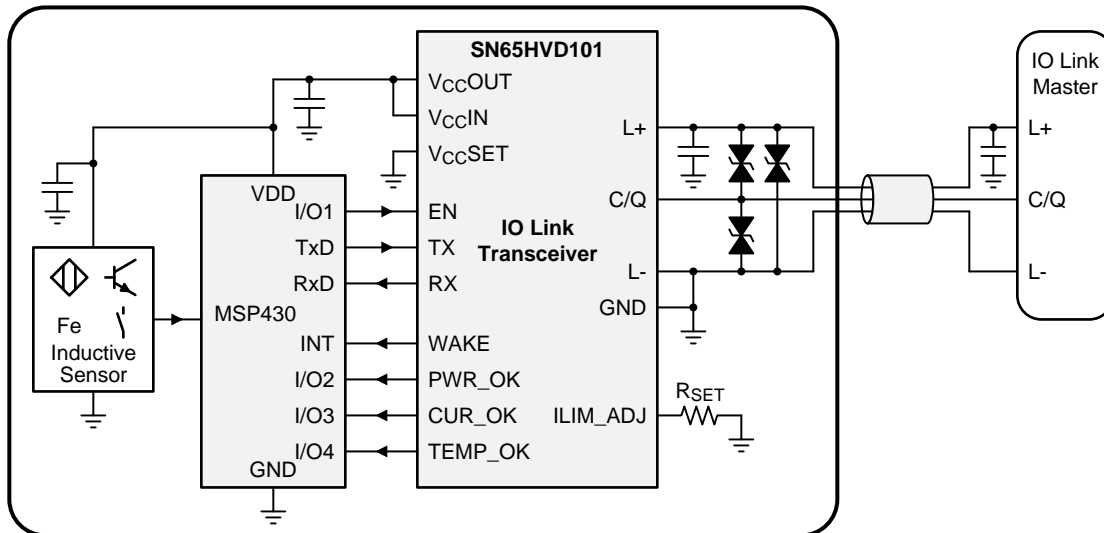
8 Parameter Measurement



9 Detailed Description

9.1 Overview

An IO-Link device comprises a transducer or physics to digital converter and the device transceiver (Figure 7). When the device is connected to an IO-Link master through the three-wire interface, the master can initiate communication and exchange data with a remote node with the SN65HVD101 or SN65HVD102 IO-Link transceiver acting as a complete physical layer for the communication.



Copyright © 2017, Texas Instruments Incorporated

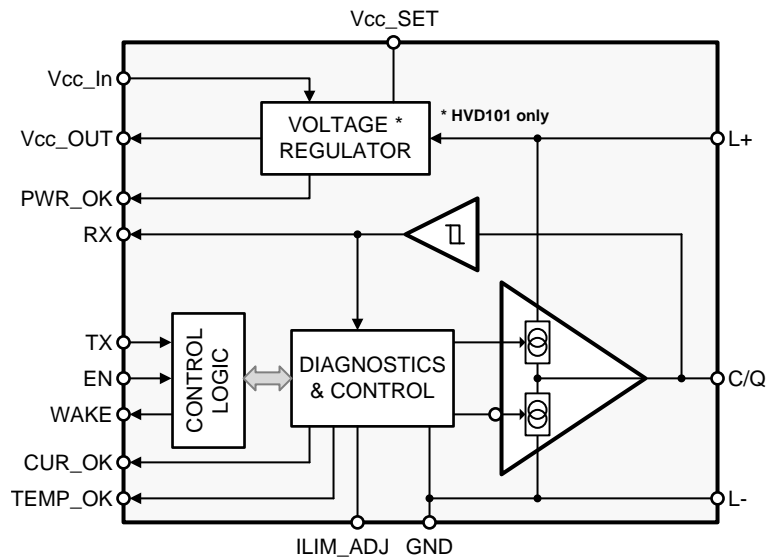
Figure 7. IO-Link Device-to-Master Interface

The functional block diagram shows that the device driver output (CQ) can be used in push-pull, high-side, or low-side configurations using the enable (EN) and transmit data (TX) input pins. The internal receiver converts the 24-V IO-Link signal on the CQ line to standard logic levels on the receive data (RX) pin. A simple parallel interface is used to receive and transmit data and status information between the slave and the local controller.

IO-Link transceivers commonly implement protection features for overcurrent, overvoltage and overtemperature conditions. They also provide a current-limit setting of the driver output current using an external resistor. If a short circuit (SC) occurs, the driver outputs are internally limited, and the slave generates an error signal.

The transceiver also possesses an overtemperature shutdown feature that protects the device from high-temperature faults. A modern transceiver can operate either from an external 3.3-V or 5-V low-volt supply, or derives the low-volt supply from the IO-Link L+ voltage (24V nominal) via a linear regulator, to provide power to the local controller and sensor circuitry.

9.2 Functional Block Diagram



Copyright © 2017, Texas Instruments Incorporated

9.3 Feature Description

9.3.1 Wake-up Detection

The device may be in IO-Link mode or SIO mode. If the device is in SIO mode and the master node wants to initiate communication with the device node, the master drives the CQ line to the opposite of its present state, and will either sink or source the wake up current (IQWU is typically up to 500 mA) for the wake-up duration (t_{WU} is typically 80 μ s) depending on the CQ logic level as per the IO-Link specification. The SN65HVD1XX IO-Link PHY detects this wake-up condition and communicates to the local microcontroller via the WAKE pin. The IO-Link Communication Specification requires the device node to switch to receive mode within 500 μ s after receiving the Wake-Up signal.

For over-current conditions shorter or longer than a valid Wake-Up pulse, the WAKE pin will remain in a high-impedance (inactive) state. This is illustrated in Figure 8, and discussed in the following paragraph.

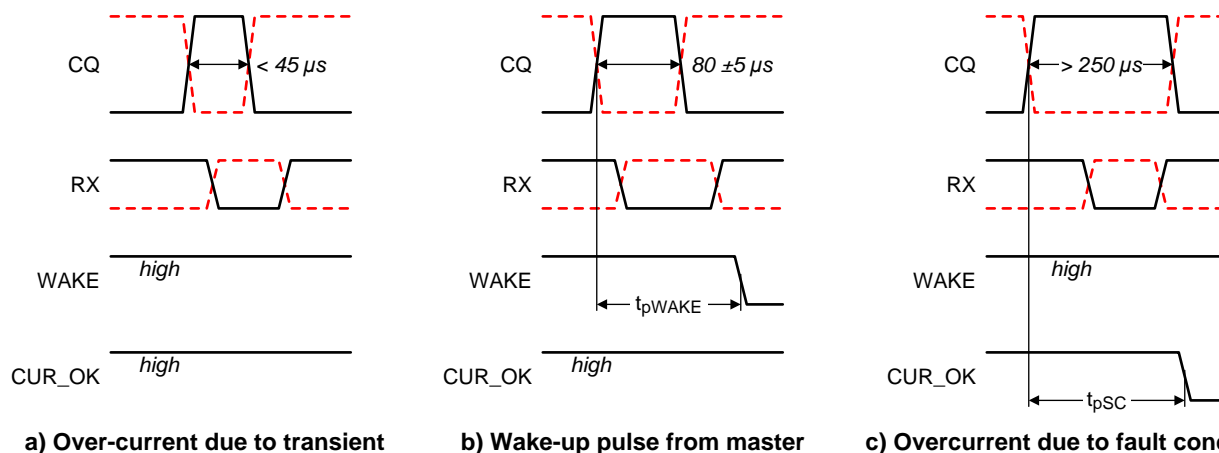


Figure 8. Over-current and Wake Conditions for EN = H, TX = H (full lines); and TX = L (red dotted lines)

9.3.2 Current Limit Indication – Short Circuit Current Detection

The internal current limit indicator is gated with the wake logic and thus becomes active only under certain conditions of the CQ-voltage (see Table 4).

Feature Description (continued)

9.3.3 Active Current Limit Condition: $V_{THL} > V_{CQ} \geq V_{THH}$

If the output current at CQ remains at the internally set current limit IO(LIM) for a duration longer than a wake-up pulse (longer than 80 μ s), the CUR_OK pin is driven logic low, indicating an over-current condition. The CUR_OK pin returns to the high-impedance (inactive) state when the CQ pin is no longer in a current limit condition. The state diagram shown in Figure 9 illustrates the various states; and, under what conditions the device transitions from one state to another.

9.3.4 Inactive Current Limit Condition: $V_{THL} < V_{CQ} < V_{THH}$

If the voltage at CQ is between the upper and lower receiver input threshold, CUR_OK remains high-impedance.

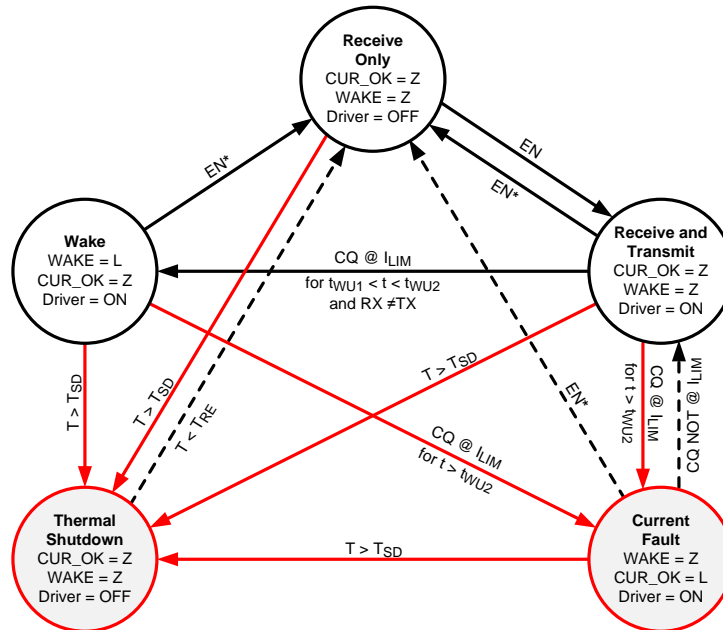


Figure 9. State Diagram of Device Transceiver

9.3.5 Over-temperature Detection

If the transceiver's internal temperature exceeds its over-temperature threshold θ_{TSD} , the CQ driver and the voltage regulator (HVD101) are disabled. As soon as the temperature drops below the temperature threshold, the internal circuit re-enables the voltage regulator (HVD101) and the driver, subject to the state of the EN and TX pins.

9.3.6 CQ Current-limit Adjustment

The CQ driver current-limit is determined by the external resistor, R_{SET} , at the ILIM_ADJ pin. Figure 2 shows the typical current-limit characteristics as a function of R_{SET} .

Feature Description (continued)
9.3.7 Transceiver Function Tables
Table 1. Driver Function

EN	TX	CQ	COMMENT
L or OPEN	X	Z	PHY is in ready-to-receive state
H	L	H	PHY CQ is sourcing current (high-side drive)
H	H or OPEN	L	PHY CQ is sinking current (low-side drive)

Table 2. Receiver Function

CQ Voltage	RX	COMMENT
$V_{CQ} < V_{CHL}$	H	Normal receive mode, input low
$V_{THL} < V_{CQ} < V_{THH}$?	Indeterminate output, may be either High or Low
$V_{THH} < V_{CQ}$	L	Normal receive mode, input high
OPEN	H	Failsafe output high

Table 3. Wake-Up Function

EN	TX	CQ VOLTAGE	WAKE	COMMENT
L	X	X	Z	PHY is in ready-to-receive state
H	H	$V_{THH} < V_{CQ} (t_{WU})$	L	PHY receives High-level wake-up request from Master
H	X	$V_{THL} < V_{CQ} < V_{THH}$?	Indeterminate output, may be either High or Low
H	L	$V_{THL} > V_{CQ} (t_{WU})$	L	PHY receives Low-level wake-up request from Master

Table 4. Current Limit Indicator Function ($t > t_{WU}$)

EN	TX	CQ VOLTAGE	CQ CURRENT	CUR_OK	COMMENT
H	H	$V_{CQ} \geq V_{THH}$	$ I_{CQ} > I_{O(LIM)}$	L	CQ current is at the internal limit
			$ I_{CQ} < I_{O(LIM)}$	Z	Normal operation
		$V_{CQ} < V_{THH}$	X	Z	Current limit indicator is inactive
H	L	$V_{CQ} < V_{THL}$	$ I_{CQ} > I_{O(LIM)}$	L	CQ current is at the internal limit
			$ I_{CQ} < I_{O(LIM)}$	Z	Normal operation
		$V_{CQ} \geq V_{THL}$	X	Z	Current limit indicator is inactive
L	X	X	X	Z	Driver is disabled, Current limit indicator is inactive

Table 5. Temperature Indicator Function

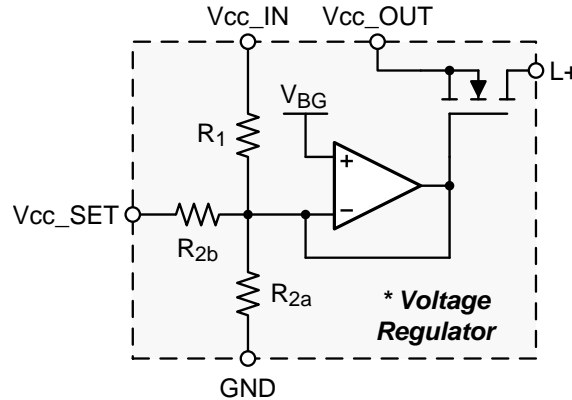
INTERNAL TEMPERATURE	OVER TEMPERATURE	TEMP_OK	COMMENT
$T < T_{WARN}$	Not Over-Temperature	Z	Normal operation
$T_{WARN} < T \uparrow < T_{SD}$	Not Over-Temperature	L	Temperature warning
$T_{SD} < T$	Over-Temperature Disabled	L	Over-Temperature disabled
$T_{WARN} < T \downarrow < T_{RE}$	Not Over-Temperature	L	Temperature recovery

Table 6. Power Supply Indicator Function

V_{L+}	V_{CC}	PWR_OK	COMMENT
$V_{L+} < V_{PG1}$	$V_{POR2} < V_{CC} < V_{PG2}$	L	Both supplies too low
$V_{PG1} < V_{L+}$	$V_{POR2} < V_{CC} < V_{PG2}$	L	V_{CC} too low
$V_{L+} < V_{PG1}$	$V_{PG2} < V_{CC}$	L	V_{L+} too low
$V_{PG1} < V_{L+}$	$V_{PG2} < V_{CC}$	Z	Both supplies correct

9.3.8 Voltage Regulator (Not Available in SN65HVD102)

The SN65HVD101 integrates a linear voltage regulator which supplies power to external components as well as to the PHY itself. The voltage regulator is specified for L+ voltages in the range of 9V to 30V with respect to GND. The output voltage can be set using the Vcc_SET pin (see Figure 10). When this pin is left open (floating) then the output voltage is 5V. When it is connected to GND then the output voltage is 3.3V.



Copyright © 2017, Texas Instruments Incorporated

* HVD101 only

Figure 10. Voltage Regulator Equivalent Circuit

9.4 Device Functional Modes

The SN65HVD101 and SN65HVD102 can operate in three different modes:

- **N-Switch SIO Mode**
Set TX pin High and use EN pin as control for realizing the function of an N-switch (low-side driver) on CQ.
- **P-Switch SIO Mode**
Set TX pin Low and use EN pin as control for realizing the function of a P-switch (high-side driver) on CQ.
- **Push-Pull / Communication Mode**
Set EN pin high and toggle TX as control for realizing the function of a Push-Pull output on CQ.

Table 7 to Table 9 summarize the pin configurations to accomplish the above functional modes.

Table 7. N-Switch SIO Mode

EN	TX	CQ
L	H	Hi-Z
H	H	N-Switch

Table 8. P-Switch SIO Mode

EN	TX	CQ
L	L	Hi-Z
H	L	P-Switch

Table 9. Push-Pull / Communication Mode

EN	TX	CQ
L	X	Hi-Z
H	H	N-Switch
H	L	P-Switch

10 Application and Implementation

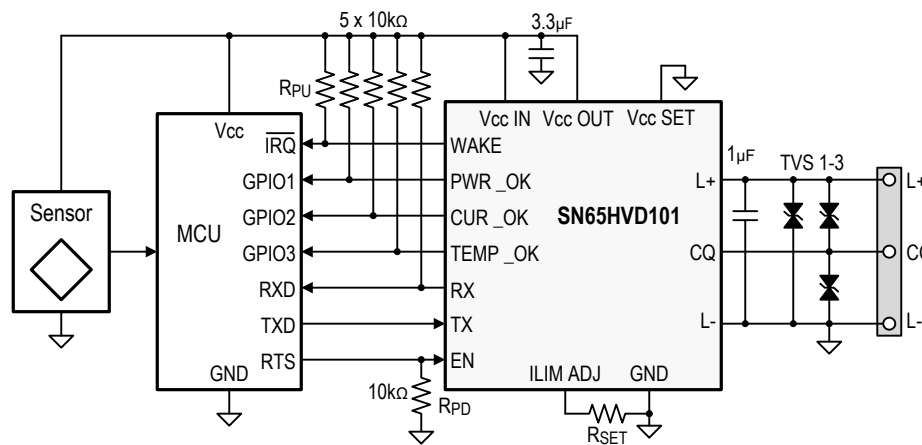
NOTE

Information in the following applications sections is not part of the TI component specification, and TI does not warrant its accuracy or completeness. TI's customers are responsible for determining suitability of components for their purposes. Customers should validate and test their design implementation to confirm system functionality.

10.1 Application Information

The SN65HVD101 and SN65HVD102 IO-Link transceivers can be used in slave devices communicating with an IO-Link master, or as simple digital I/O to either sense or drive a wide range of sensors and loads.

10.2 Typical Application



Copyright © 2017, Texas Instruments Incorporated

Figure 11. Typical Application Schematic, SN65HVD101 with 3.3V Output Supply

10.2.1 Design Requirements

For this design example, use the parameters listed in [Table 10](#) as design parameters.

Table 10. Design Parameters

DESIGN PARAMETER		EXAMPLE VALUE
TRANSCEIVER	Input voltage range (L+)	24V
	Maximum load current (CQ)	250 mA
	Output voltage (Vcc_OUT)	3.3 V
	Maximum output current (Vcc_OUT)	20 mA
SURGE PROTECTION (1.2/50 – 8/20µs)	Peak Voltage (L+, CQ)	2 kV
	Peak Current via R = 500 Ω, C = 0.5 µF	4 A
	Maximum TVS Clamping Voltage	> 50 V
	Minimum TVS Standoff Voltage	> 30 V
	Maximum Ambient Temperature, TA	100 °C
	Maximum Junction Temperature, TJ	150 °C

10.2.2 Detailed Design Procedure

The following recommendations on device configuration and components selection focus on the design of a digital output driver using SN65HVD101 with protection against surge transients from a 1.2/50 – 8/20 µs combination waveform generator (CWG) with 2 kV peak test voltage and 500 Ω source impedance.

10.2.2.1 Transceiver Configuration (SN65HVD101)

1. Choose a 24 V nominal dc supply for L+.
2. From the current-limit characteristics in Figure 2 derive the resistor value of $R_{SET} = 4\text{ k}\Omega$ for a current limit of $I_{O(LIM)} = 250\text{ mA}$.
3. Connect V_{CC_SET} to ground for a 3.3V output at V_{CC_OUT} .
4. Connect V_{CC_IN} to V_{CC_OUT} to assure proper output voltage regulation of V_{CC_OUT} .
5. Buffer V_{CC_OUT} with a $3.3\mu\text{F}$, 10V ceramic capacitor.
6. Connect the receiver and diagnostic outputs via $10\text{ k}\Omega$ pull-up resistors to V_{CC_OUT} to provide defined voltage potentials to the controller inputs during high-impedance states.
7. Connect the driver enable pin, EN, via a $10\text{ k}\Omega$ pull-down resistor to ground to maintain the driver disabled during power up.

10.2.2.2 Maximum Ambient Temperature Check

For a 250 mA current limit, the maximum voltage drop across the high-side switch is given with $V_{RQH} = 3\text{ V}$ (taken from *Electrical Characteristics: Driver* section). This causes an internal power consumption of:

$$P_{D-INT} = V_{RQH} \cdot I_{O(lim)} = 3\text{ V} \cdot 250\text{ mA} = 750\text{ mW} \quad (1)$$

Multiply this value with the Junction-to-ambient thermal resistance of $\theta_{JA} = 33.8\text{ }^\circ\text{C/W}$ (taken from *Thermal Information*) to receive the difference between junction temperature, T_J , and ambient temperature, T_A :

$$\Delta T = T_J - T_A = P_{D-INT} \cdot \theta_{JA} = 750\text{ mW} \cdot 33.8\text{ }^\circ\text{C/W} = 25.4\text{ }^\circ\text{C} \quad (2)$$

Add this value to the maximum ambient temperature of $T_A = 100\text{ }^\circ\text{C}$ to receive the final junction temperature:

$$T_{J-max} = T_{A-max} + \Delta T = 100\text{ }^\circ\text{C} + 25.4\text{ }^\circ\text{C} = 125.4\text{ }^\circ\text{C} \quad (3)$$

As long as T_{J-max} is below the recommended maximum value of $150\text{ }^\circ\text{C}$, no overheating will occur.

10.2.2.3 Transient Protection

A commonly applied surge immunity test in digital I/O designs is the application of the 1.2/50 – 8/20 μs combination waveform, specified in IEC61000-4-5, with a source impedance of $500\text{ }\Omega$ and a peak test voltage of $V_{O-pk} = 2\text{ kV}$, which results in a peak surge current of $I_{S-pk} = 4\text{ A}$.

The test set-up for line-to-line and line-to-ground measurements is shown in Figure 12; the calculation of the surge peak current is shown in Figure 13.

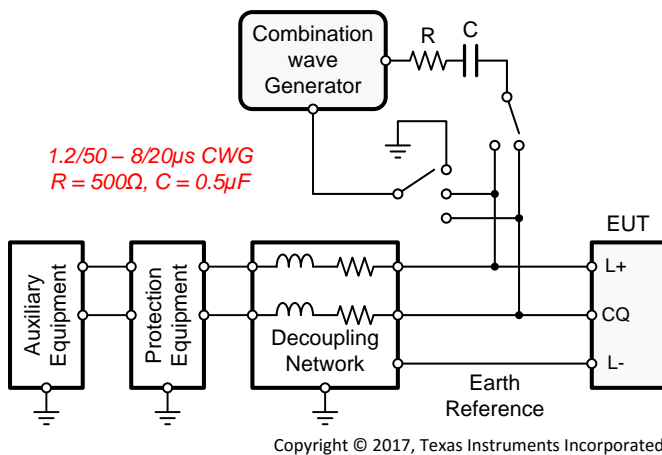
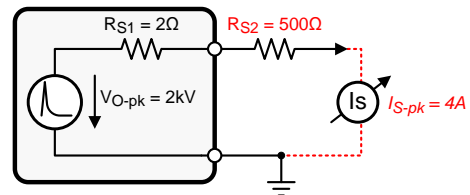


Figure 12. Surge Test Set-up



$$I_{S-pk} \approx \frac{V_{OC-pk}}{R_S} = \frac{2\text{ kV}}{502\text{ }\Omega} = 4\text{ A}$$

Figure 13. Peak Current Calculation

10.2.2.4 TVS Evaluation

Because the maximum transceiver supply at L+ is specified with 30 V, the TVS standoff or peak working voltage must be higher than this value. The standoff voltage is the voltage where the TVS does not conduct yet. Transient voltage suppressors with this high standoff have peak pulse powers starting at 200 W. Their peak pulse power however is usually rated based on a 10/1000 μs current pulse, which is commonly applied in telecom application. It is therefore necessary to derate the peak power value from a 10/1000 μs to a 8/20 μs pulse.

For this example the bidirectional, 200 W TVS, SMF33CA, was selected. Its main parameters and their derated values are listed in Table 11. The peak pulse power rating for a 10/1000 μs pulse is shown in Figure 14.

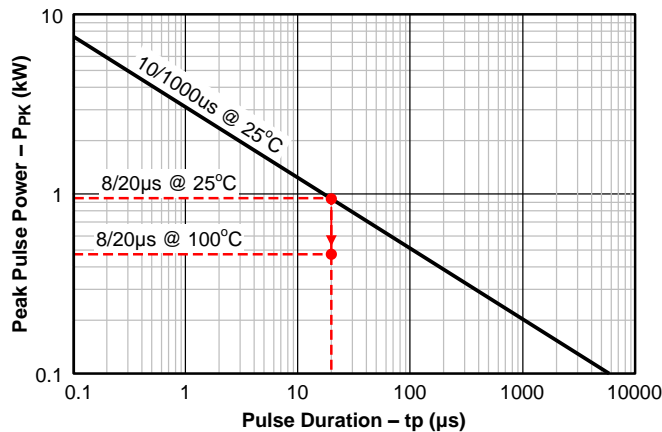


Figure 14. Peak Pulse Power Rating

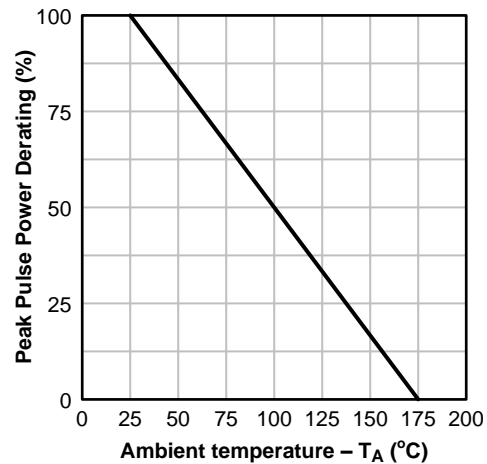


Figure 15. Pulse Derating Curve

At the pulse duration of 1000 μs the device has a peak pulse power rating of 200 W. To determine the peak power for a 8/20 μs pulse, move up the power rating curve until you hit the 20 μs pulse duration. The peak pulse power rating at this point is about 950 W.

Note these values are valid for 25 °C ambient temperature only. Because the operating ambient temperature in this example is specified with 100 °C however, the peak pulse power must be further derated for the higher ambient temperature using the pulse derating curve in Figure 15. This curve shows that the peak power level at 25 °C drops by 50 % when reaching 100 °C, so from 950 W down to 475 W. This drop is shown in Figure 14 through the arrow pointing down to the second peak power level for a 20 μs pulse duration at 100 °C.

Table 11. TVS Parameters

PARAMETER	SYMBOL	SMF33CA	UNIT
Maximum Working Peak Voltage	VWM	33	V
Minimum Breakdown Voltage at 1 mA	VBR	36.7	V
Maximum Clamping Voltage at IPP	VCL	53.3	V
Peak Pulse Power (10/1000 μs) at 25°C	PPK1	200	W
Peak Pulse Current (10/1000 μs) at 25°C	IPP1	3.75	A
Derated Peak Power (8/20 μs) at 25°C	PPK2	950	W
Derated Peak Current (8/20 μs) at 25°C	IPP2	17.76	A
Derated Peak Power (8/20 μs) at 100°C	PPK3	475	W
Derated Peak Current (8/20 μs) at 100°C	IPP3	8.9	A

To determine the peak currents for the various peak power ratings, TVS manufacturers advise to assume the maximum clamping voltage as being constant, because this clamping level also presents the device maximum failing voltage if its value is exceeded. The peak current for a given power rating is therefore calculated via:

$$I_{PP} = P_{PK} / V_{CL} \quad (4)$$

So for the 8/20 μs peak power of 475 W at 100 °C, the peak pulse current is $I_{PP3} = 475 \text{ W} \div 53.3 \text{ V} = 8.9 \text{ A}$. The new derived values of P_{PK} and I_{PP} in combination with the values for breakdown and clamping voltage, V_{BR} and V_{CL} , from Table 11, yield a new I-V characteristics of the SMF33CA TVS when exposed to a 8/20 μs pulse.

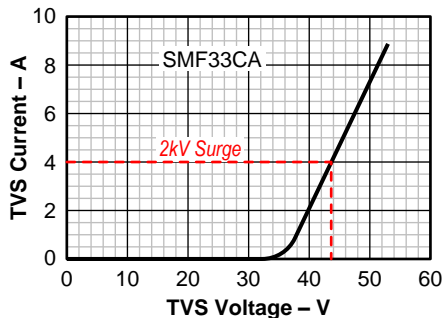
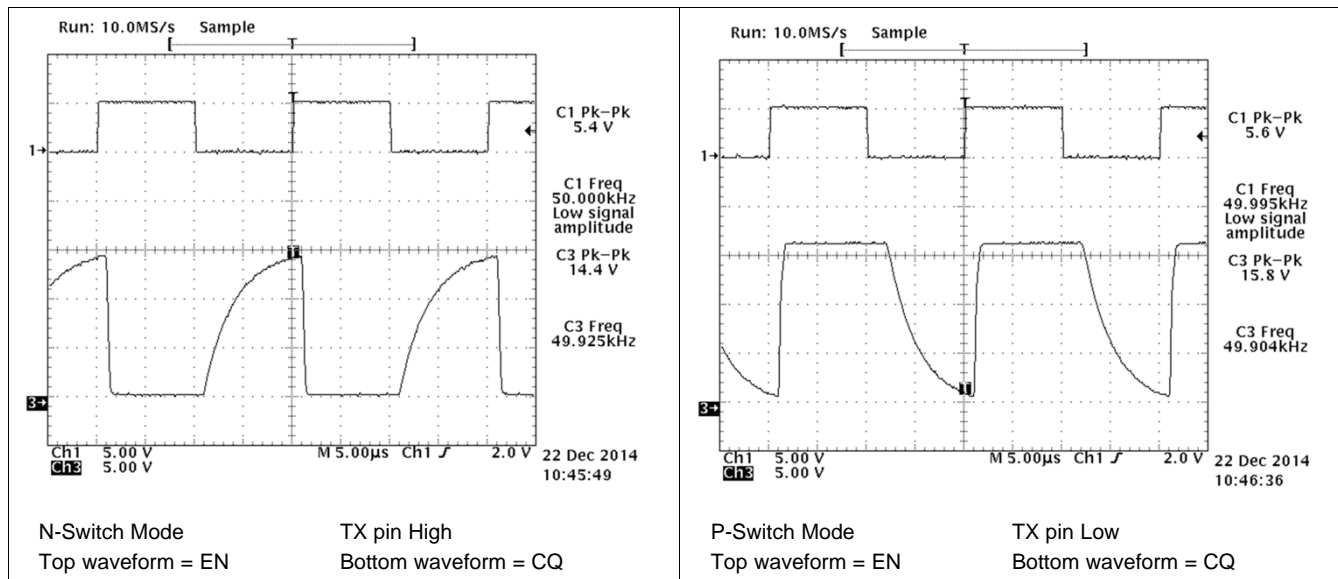


Figure 16. TVS Characteristic for 8/20 μs Current Pulse

Because the maximum surge current of the CWG in Figure 13 is only 4 A at 2 kV test voltage, the TVS clamping voltage at this level is only 44 V. This voltage is sufficiently below the absolute maximum voltage rating of 50 V for a 100 μs pulse at the L+ and CQ terminals of the SN65HVD101 and SN65HVD102 transceivers, causing no device damage.

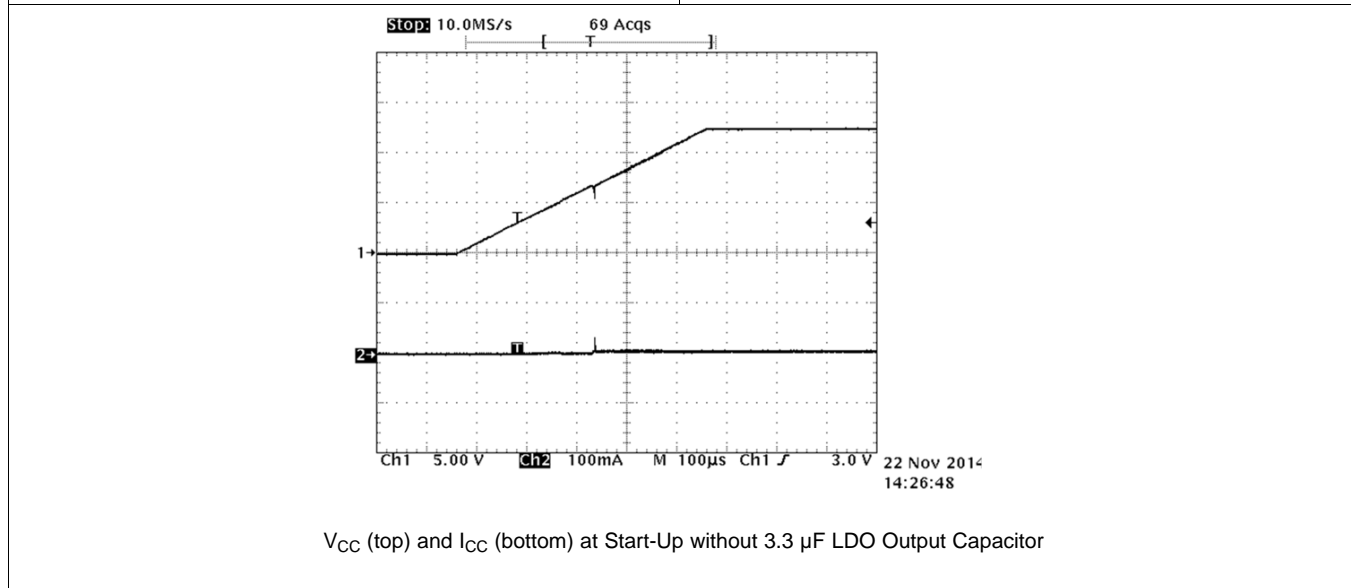
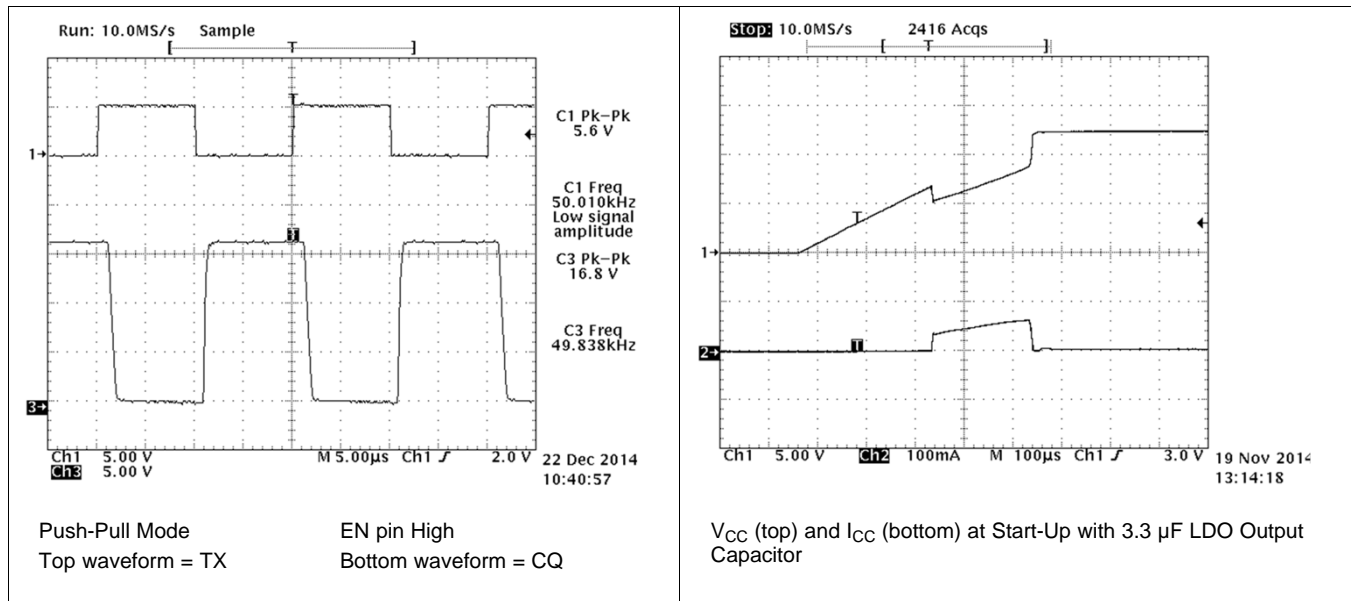
10.2.3 Application Curves



SN65HVD101, SN65HVD102

ZHCS233D – MAY 2011 – REVISED MAY 2017

www.ti.com.cn



10.3 System Examples

10.3.1 Driver for Incandescent Lamp Loads

The following circuit shows the SN65HVD101 driving an incandescent lamp load. For this and other types of resistive loads only two TVS diodes are used to protect the CQ and L+ lines to ground.

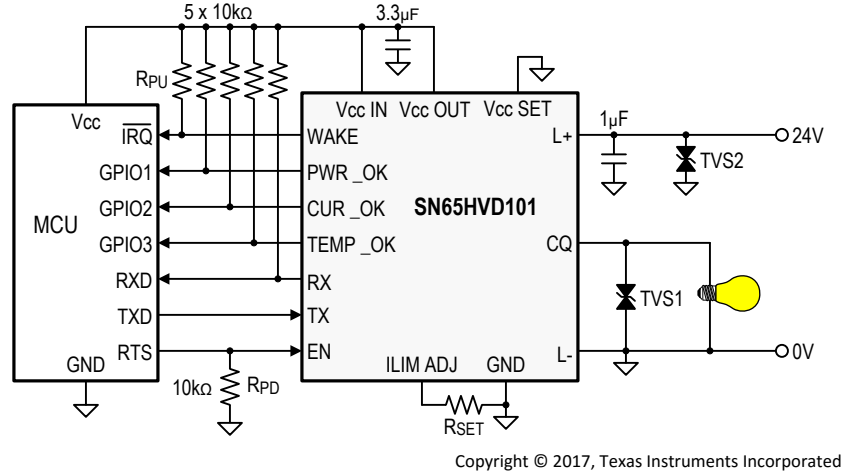


Figure 17. SN65HVD101 Driving Incandescent Lamp Load

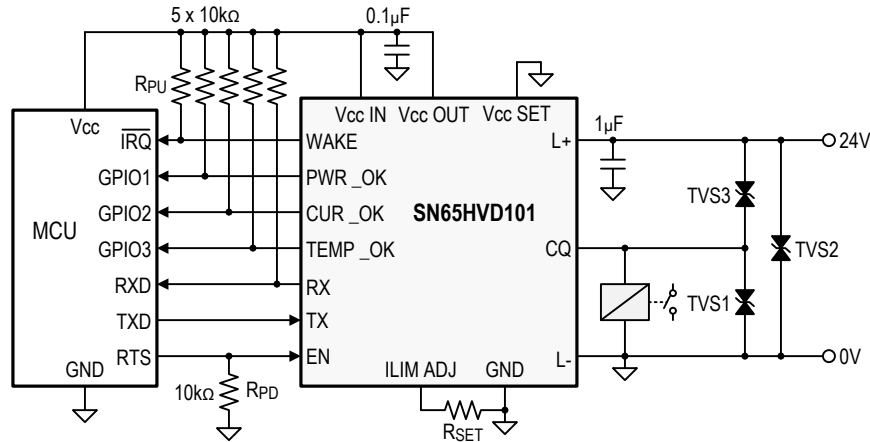
The resistance of an incandescent lamp filament varies strongly with temperature. The initial (cold-filament) resistance of tungsten-filament lamps is less than 10% of the steady-state (hot-filament) resistance. For example, a 100-watt, 120-volt lamp has a resistance of 144 Ω when lit, but the cold resistance is much lower (about 9.5 Ω). The initial “in-rush” current is therefore high compared to the steady-state current. Within 3 to 5 ms the current falls to approximately half the hot current.

For typical general-service lamps, the current reaches steady-state conditions in less than about 100 milliseconds. The ‘HVD10x CQ output will remain at the selected current-limit as the filament warms up, and then will stay at the steady-state current level. For example, a 6W, 24VDC indicator lamp has a steady-state current of 250 mA. However, the initial in-rush current could be over 2 Amps if unlimited. If the HVD10x current limit is set to 350 mA, this current will warm up the filament during the initial lamp turn-on, and the final current will be below the current limit. If the CQ output current is at the limit for longer than t_{SC} , the SC output will be active. The local controller can disable the CQ driver if the high current is not expected, or can re-check the SC output after 100 ms if the load is known to be incandescent.

System Examples (continued)

10.3.2 Driver for Inductive Loads

The following circuit shows the SN65HVD101 driving an inductive load. In this case three TVS diodes are necessary to protect L+ to ground and CQ to Ground and to L+.



Copyright © 2017, Texas Instruments Incorporated

Figure 18. SN65HVD101 Driving Inductive Relay Load

When the high-side switch in the transceiver turns on, TVS1 might conduct when the voltage across the inductive load rises above the TVS breakdown threshold. This might not be desirable but, due to $V_L = L \times di/dt$, can happen if the load inductance is sufficiently high.

When the transceiver turns off, the voltage across the inductance changes polarity to maintain current flow in the same direction. Again, TVS1 might conduct if the peak voltage across the inductor exceeds the TVS breakdown threshold during turn-off.

The main issue however is the voltage difference between the positive supply (L+) and the data line (CQ). Without TVS3 this difference could rise to twice the supply level. At the much lower TVS about lower TVS breakdown threshold however, TVS3 conducts and the voltage difference is limited to the TVS clamping voltage.

11 Power Supply Recommendations

The SN65HVD101 and SN65HVD102 transceivers are designed to operate from a 24 V nominal supply at L+, which can vary by +6 V and –15 V from the nominal value to remain within the device recommended supply voltage range of 9 V to 30 V. This supply should be buffered with at least a 1 µF/60V ceramic capacitor placed close to the device pin.

12 Layout

12.1 Layout Guidelines

- Use a 4-layer board with Layer 1 (top layer) for control signals, Layer 2 as Power Ground Layer for L- and GND), Layer 3 for the 24 V supply plane (L+), and Layer 4 for the regulated output supply (V_{CC_OUT}).
- Use entire planes for L+, V_{CC_OUT} , and L- and GND to assure minimum inductance during fast load or transient current changes.
- The L+ terminal must be buffered to ground with a low-ESR ceramic bypass-capacitor. The recommended capacitor value is 1 μF to 4.7 μF . The capacitor must have a voltage rating of 50 V minimum and a X5R or X7R dielectric.
- The optimum placement is closest to the transceiver's L+ and L- terminals to reduce supply drops during large supply current loads. See Figure 19 for a PCB layout example
- Place TVS diode close to the connector to prevent the transient energy from entering the circuitry.
- Use two vias when connecting TVS diodes or capacitors to the L- and L+ planes to maintain low inductance during fast load or transient current changes.
- Connect all open-drain control outputs and the receiver output via 10 k Ω pull-up resistors to the V_{CC_OUT} plane to provide a defined voltage potential to the system controller inputs when the outputs are high-impedance.
- Connect the transceiver enable pin via a 10 k Ω pull-down resistor to ground, to assure the driver output is disabled during power-up.
- Connect V_{CC_SET} directly to ground to make $V_{CC_OUT} = 3.3\text{ V}$, or leave it open to make $V_{CC_OUT} = 5\text{ V}$.
- Connect V_{CC_IN} directly to V_{CC_OUT} to assure proper voltage regulation.
- Buffer the regulated output voltage at V_{CC_OUT} to ground with a low-ESR, 3.3 μF , ceramic bypass-capacitor. The capacitor should have a voltage rating of 10 V minimum and a X5R or X7R dielectric.

12.2 Layout Example

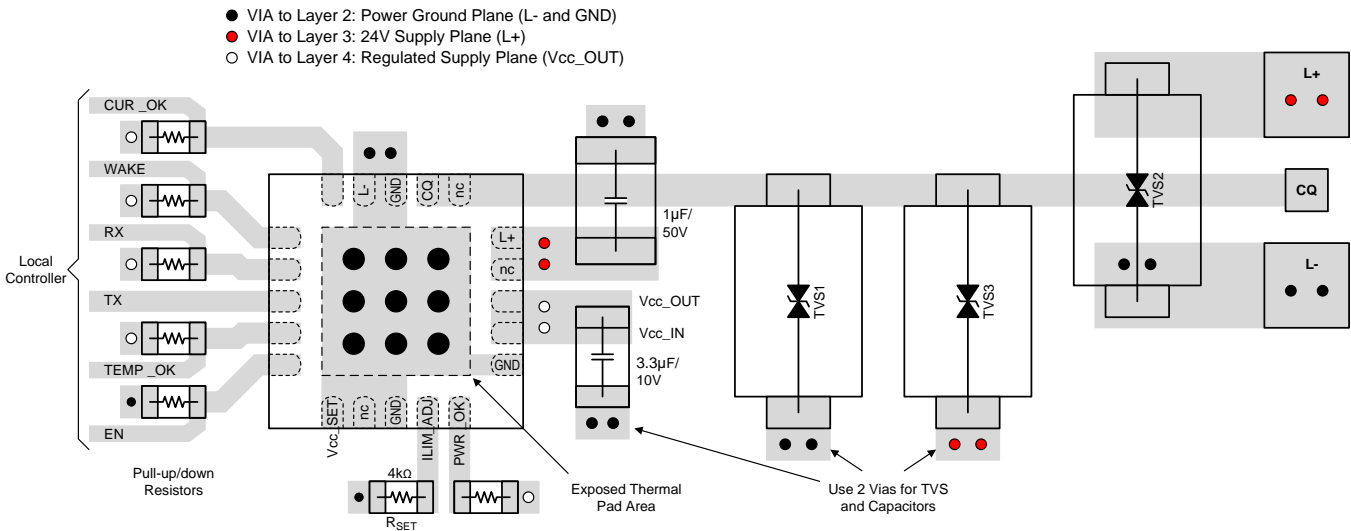


Figure 19. Layout Example

13 器件和文档支持

13.1 相关链接

下面的表格列出了快速访问链接。范围包括技术文档、支持与社区资源、工具和软件，并且可以快速访问样片或购买链接。

表 12. 相关链接

器件	产品文件夹	立即订购	技术文档	工具与软件	支持与社区
SN65HVD101	请单击此处	请单击此处	请单击此处	请单击此处	请单击此处
SN65HVD102	请单击此处	请单击此处	请单击此处	请单击此处	请单击此处

13.2 接收文档更新通知

如需接收文档更新通知，请访问 www.ti.com.cn 网站上的器件产品文件夹。点击右上角的提醒我 (Alert me) 注册后，即可每周定期收到已更改的产品信息。有关更改的详细信息，请查阅已修订文档中包含的修订历史记录。

13.3 社区资源

The following links connect to TI community resources. Linked contents are provided "AS IS" by the respective contributors. They do not constitute TI specifications and do not necessarily reflect TI's views; see TI's [Terms of Use](#).

TI E2E™ Online Community *TI's Engineer-to-Engineer (E2E) Community*. Created to foster collaboration among engineers. At e2e.ti.com, you can ask questions, share knowledge, explore ideas and help solve problems with fellow engineers.

Design Support *TI's Design Support* Quickly find helpful E2E forums along with design support tools and contact information for technical support.

13.4 商标

E2E is a trademark of Texas Instruments.
All other trademarks are the property of their respective owners.

13.5 静电放电警告



这些装置包含有限的内置 ESD 保护。存储或装卸时，应将导线一起截短或将装置放置于导电泡棉中，以防止 MOS 门极遭受静电损伤。

13.6 Glossary

[SLYZ022](#) — *TI Glossary*.

This glossary lists and explains terms, acronyms, and definitions.

14 机械、封装和可订购信息

以下页中包括机械、封装和可订购信息。这些信息是针对指定器件可提供的最新数据。这些数据会在无通知且不对本文档进行修订的情况下发生改变。欲获得该数据表的浏览器版本，请查阅左侧的导航栏。

PACKAGING INFORMATION

Orderable Device	Status (1)	Package Type	Package Drawing	Pins	Package Qty	Eco Plan (2)	Lead finish/ Ball material (6)	MSL Peak Temp (3)	Op Temp (°C)	Device Marking (4/5)	Samples
SN65HVD101RGBR	ACTIVE	VQFN	RGB	20	1000	RoHS & Green	NIPDAU	Level-2-260C-1 YEAR	-40 to 105	HVD101	Samples
SN65HVD101RGBT	ACTIVE	VQFN	RGB	20	250	RoHS & Green	NIPDAU	Level-2-260C-1 YEAR	-40 to 105	HVD101	Samples
SN65HVD102RGBR	ACTIVE	VQFN	RGB	20	1000	RoHS & Green	NIPDAU	Level-2-260C-1 YEAR	-40 to 105	HVD102	Samples
SN65HVD102RGBT	ACTIVE	VQFN	RGB	20	250	RoHS & Green	NIPDAU	Level-2-260C-1 YEAR	-40 to 105	HVD102	Samples

(1) The marketing status values are defined as follows:

ACTIVE: Product device recommended for new designs.

LIFEBUY: TI has announced that the device will be discontinued, and a lifetime-buy period is in effect.

NRND: Not recommended for new designs. Device is in production to support existing customers, but TI does not recommend using this part in a new design.

PREVIEW: Device has been announced but is not in production. Samples may or may not be available.

OBSOLETE: TI has discontinued the production of the device.

(2) **RoHS:** TI defines "RoHS" to mean semiconductor products that are compliant with the current EU RoHS requirements for all 10 RoHS substances, including the requirement that RoHS substance do not exceed 0.1% by weight in homogeneous materials. Where designed to be soldered at high temperatures, "RoHS" products are suitable for use in specified lead-free processes. TI may reference these types of products as "Pb-Free".

RoHS Exempt: TI defines "RoHS Exempt" to mean products that contain lead but are compliant with EU RoHS pursuant to a specific EU RoHS exemption.

Green: TI defines "Green" to mean the content of Chlorine (Cl) and Bromine (Br) based flame retardants meet JS709B low halogen requirements of <=1000ppm threshold. Antimony trioxide based flame retardants must also meet the <=1000ppm threshold requirement.

(3) MSL, Peak Temp. - The Moisture Sensitivity Level rating according to the JEDEC industry standard classifications, and peak solder temperature.

(4) There may be additional marking, which relates to the logo, the lot trace code information, or the environmental category on the device.

(5) Multiple Device Markings will be inside parentheses. Only one Device Marking contained in parentheses and separated by a "-" will appear on a device. If a line is indented then it is a continuation of the previous line and the two combined represent the entire Device Marking for that device.

(6) Lead finish/Ball material - Orderable Devices may have multiple material finish options. Finish options are separated by a vertical ruled line. Lead finish/Ball material values may wrap to two lines if the finish value exceeds the maximum column width.

Important Information and Disclaimer: The information provided on this page represents TI's knowledge and belief as of the date that it is provided. TI bases its knowledge and belief on information provided by third parties, and makes no representation or warranty as to the accuracy of such information. Efforts are underway to better integrate information from third parties. TI has taken and

continues to take reasonable steps to provide representative and accurate information but may not have conducted destructive testing or chemical analysis on incoming materials and chemicals. TI and TI suppliers consider certain information to be proprietary, and thus CAS numbers and other limited information may not be available for release.

In no event shall TI's liability arising out of such information exceed the total purchase price of the TI part(s) at issue in this document sold by TI to Customer on an annual basis.

TAPE AND REEL INFORMATION

QUADRANT ASSIGNMENTS FOR PIN 1 ORIENTATION IN TAPE


*All dimensions are nominal

Device	Package Type	Package Drawing	Pins	SPQ	Reel Diameter (mm)	Reel Width W1 (mm)	A0 (mm)	B0 (mm)	K0 (mm)	P1 (mm)	W (mm)	Pin1 Quadrant
SN65HVD101RGBR	VQFN	RGB	20	1000	330.0	12.4	3.8	4.3	1.5	8.0	12.0	Q1
SN65HVD101RGBT	VQFN	RGB	20	250	180.0	12.4	3.8	4.3	1.5	8.0	12.0	Q1
SN65HVD102RGBR	VQFN	RGB	20	1000	330.0	12.4	3.8	4.3	1.5	8.0	12.0	Q1
SN65HVD102RGBT	VQFN	RGB	20	250	180.0	12.4	3.8	4.3	1.5	8.0	12.0	Q1

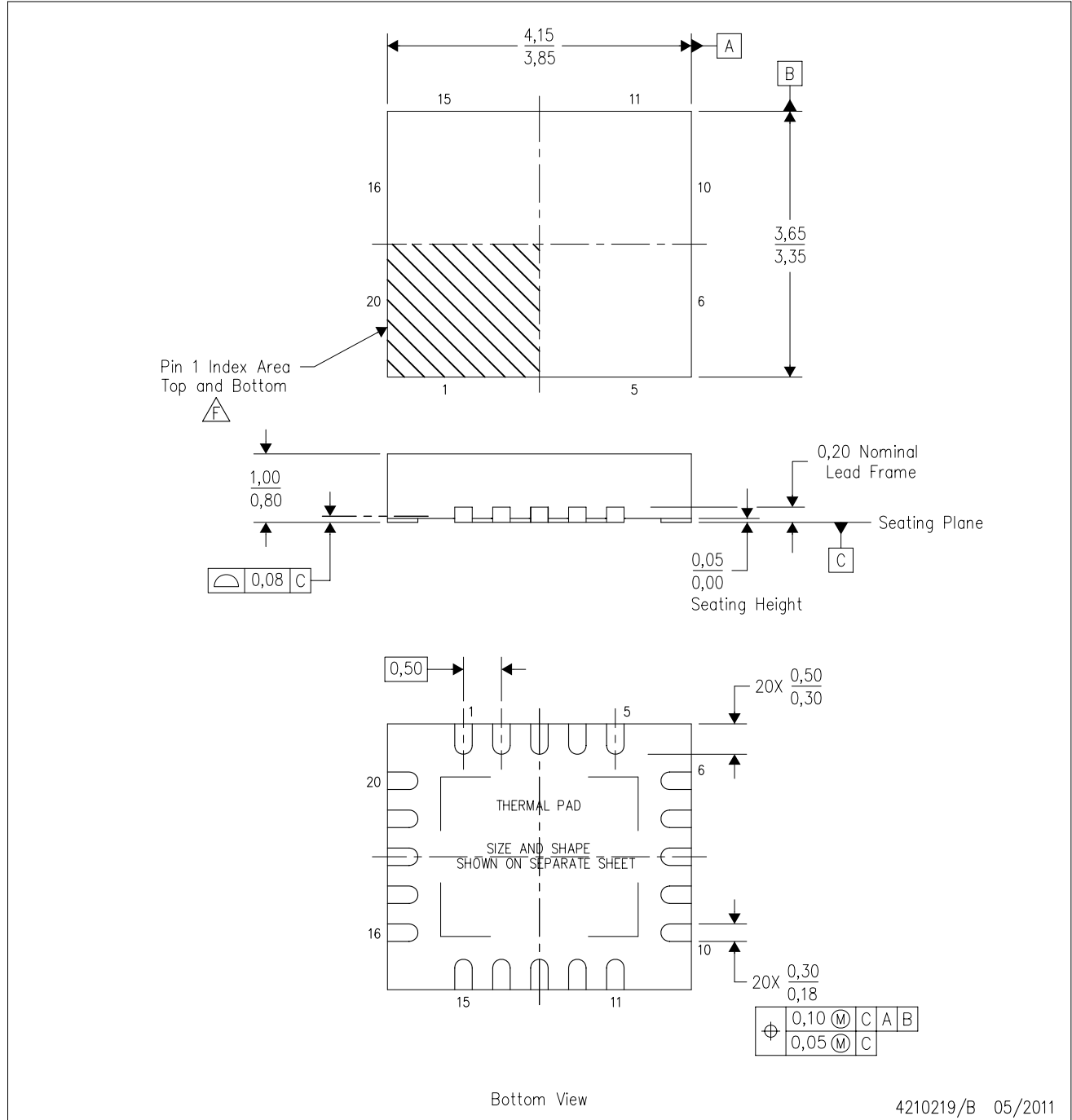
TAPE AND REEL BOX DIMENSIONS


*All dimensions are nominal


Device	Package Type	Package Drawing	Pins	SPQ	Length (mm)	Width (mm)	Height (mm)
SN65HVD101RGBR	VQFN	RGB	20	1000	367.0	367.0	35.0
SN65HVD101RGBT	VQFN	RGB	20	250	210.0	185.0	35.0
SN65HVD102RGBR	VQFN	RGB	20	1000	367.0	367.0	35.0
SN65HVD102RGBT	VQFN	RGB	20	250	210.0	185.0	35.0

RGB (R-PVQFN-N20)

PLASTIC QUAD FLATPACK NO-LEAD



4210219/B 05/2011

- NOTES:
- A. All linear dimensions are in millimeters. Dimensioning and tolerancing per ASME Y14.5M-1994.
 - B. This drawing is subject to change without notice.
 - C. QFN (Quad Flatpack No-Lead) package configuration.
 - D. The package thermal pad must be soldered to the board for thermal and mechanical performance.
 - E. See the additional figure in the Product Data Sheet for details regarding the exposed thermal pad features and dimensions.
-  Pin 1 identifiers are located on both top and bottom of the package and within the zone indicated. The Pin 1 identifiers are either a molded, marked, or metal feature.

THERMAL PAD MECHANICAL DATA

RGB (R-PVQFN-N20)

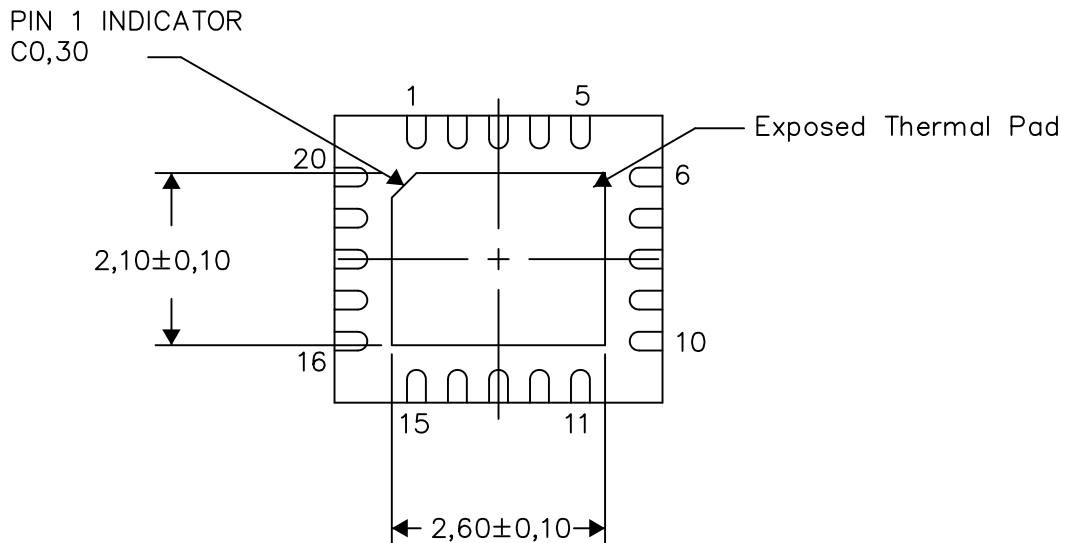
PLASTIC QUAD FLATPACK NO-LEAD

THERMAL INFORMATION

This package incorporates an exposed thermal pad that is designed to be attached directly to an external heatsink. The thermal pad must be soldered directly to the printed circuit board (PCB). After soldering, the PCB can be used as a heatsink. In addition, through the use of thermal vias, the thermal pad can be attached directly to the appropriate copper plane shown in the electrical schematic for the device, or alternatively, can be attached to a special heatsink structure designed into the PCB. This design optimizes the heat transfer from the integrated circuit (IC).

For information on the Quad Flatpack No-Lead (QFN) package and its advantages, refer to Application Report, QFN/SON PCB Attachment, Texas Instruments Literature No. SLUA271. This document is available at www.ti.com.

The exposed thermal pad dimensions for this package are shown in the following illustration.



Bottom View

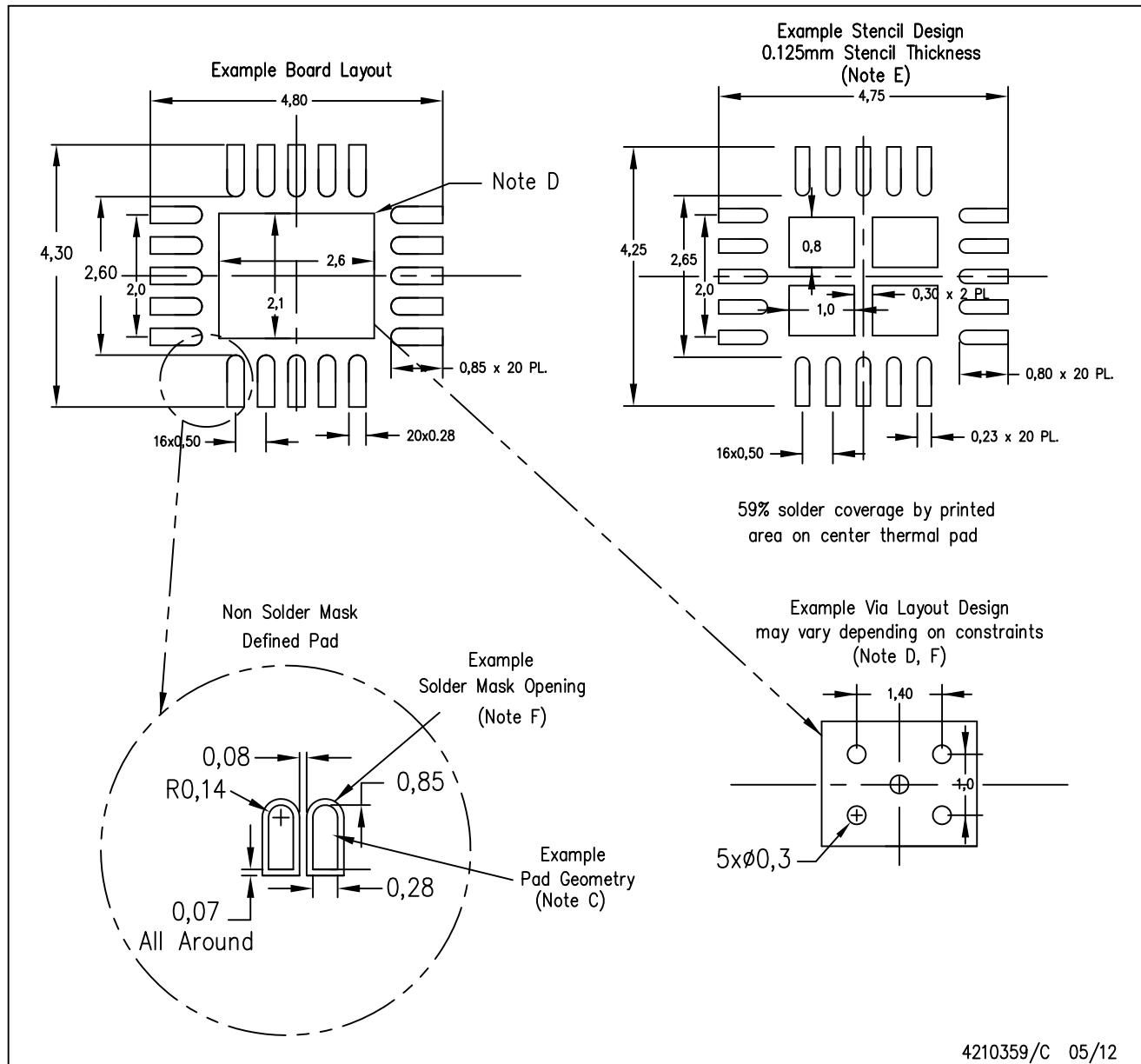
Exposed Thermal Pad Dimensions

4210242/C 05/12

NOTE: All linear dimensions are in millimeters

RGB (R-PVQFN-N20)

PLASTIC QUAD FLATPACK NO-LEAD



- NOTES:
- A. All linear dimensions are in millimeters.
 - B. This drawing is subject to change without notice.
 - C. Publication IPC-7351 is recommended for alternate designs.
 - D. This package is designed to be soldered to a thermal pad on the board. Refer to Application Note, Quad Flat-Pack QFN/SON PCB Attachment, Texas Instruments Literature No. SLUA271, and also the Product Data Sheets for specific thermal information, via requirements, and recommended board layout. These documents are available at www.ti.com <<http://www.ti.com>>.
 - E. Laser cutting apertures with trapezoidal walls and also rounding corners will offer better paste release. Customers should contact their board assembly site for stencil design recommendations. Refer to IPC 7525 for stencil design considerations.
 - F. Customers should contact their board fabrication site for minimum solder mask web tolerances between signal pads.

重要声明和免责声明

TI 均以“原样”提供技术性及其可靠性数据（包括数据表）、设计资源（包括参考设计）、应用或其他设计建议、网络工具、安全信息和其他资源，不保证其中不含任何瑕疵，且不做任何明示或暗示的担保，包括但不限于对适销性、适合某特定用途或不侵犯任何第三方知识产权的暗示担保。

所述资源可供专业开发人员应用TI 产品进行设计使用。您将对以下行为独自承担全部责任：(1) 针对您的应用选择合适的TI 产品；(2) 设计、验证并测试您的应用；(3) 确保您的应用满足相应标准以及任何其他安全、安保或其他要求。所述资源如有变更，恕不另行通知。TI 对您使用所述资源的授权仅限于开发资源所涉及TI 产品的相关应用。除此之外不得复制或展示所述资源，也不提供其它TI 或任何第三方的知识产权授权许可。如因使用所述资源而产生任何索赔、赔偿、成本、损失及债务等，TI 对此概不负责，并且您须赔偿由此对TI 及其代表造成的损害。

TI 所提供产品均受TI 的销售条款 (<http://www.ti.com.cn/zh-cn/legal/termsofsale.html>) 以及ti.com.cn上或随附TI产品提供的其他可适用条款的约束。TI提供所述资源并不扩展或以其他方式更改TI 针对TI 产品所发布的可适用的担保范围或担保免责声明。

邮寄地址：上海市浦东新区世纪大道 1568 号中建大厦 32 楼，邮政编码：200122

Copyright © 2020 德州仪器半导体技术（上海）有限公司