

DS110RT410 低功耗多速率四通道重定时器

1 特性

- 每条通道的数据传输速率均可独立锁定至 8.5Gbps 至 11.3Gbps 及其子速率范围内
- 支持 1/2、1/4 或 1/8 的子速率
- 基于协议选择模式的快速锁定操作
- 低延迟 (约 300ps)
- 具有自适应均衡功能, 可在 5GHz 频率下提供最高 34dB 的升压
- 可调节的发送 V_{OD} : 600 至 1300mVp-p
- 可调节发送去加重功能: 最高达 -12dB
- 典型功耗 (均衡器 (EQ) + 动态范围控制 (DRC) + 去加重 (DE)): 150mW/通道
- 可编程的输出极性反转
- 输入信号检测, CDR 锁定检测和指示器
- 片上眼图监视器 (EOM), 伪随机二进制序列 (PRBS) 发生器
- 2.5V±5% 单电源
- 系统管理总线 (SMBus) 和电可擦除可编程只读存储器 (EEPROM) 配置模式
- 工作温度范围为 -40°C 至 85°C
- 48 引脚 7mm x 7mm 超薄四方扁平无引线 (WQFN) 封装
- 可轻松在中继器与重定时器之间进行引脚兼容升级
 - DS100RT410 (EQ + CDR + DE): 10.3125Gbps
 - DS100DF410 (EQ + DFE + CDR + DE): 10.3125Gbps
 - DS110RT410 (EQ + CDR + DE): 8.5Gbps 至 11.3Gbps
 - DS110DF410 (EQ + DFE + CDR + DE): 8.5Gbps 至 11.3Gbps
 - DS125RT410 (EQ + CDR + DE): 9.8Gbps 至 12.5Gbps
 - DS125DF410 (EQ + DFE + CDR + DE): 9.8Gbps 至 12.5Gbps
 - DS100BR410 (EQ + DE): 最高为 10.3125Gbps

2 应用

- 前端口 SFF 8431 (SFP+) 光学铜缆和直连铜缆
- 背板长度延长, 数据重定时器
- 以太网: 10GbE、1GbE
- 光纤通道, 无限带宽技术
- 其他高达 11.3Gbps 的专有数据传输速率

3 说明

DS110RT410 是一款具有集成信号调节功能的四通道重定时器。该器件包含完全自适应性连续时间线性均衡器 (CTLE)、时钟和数据恢复 (CDR) 以及发送去加重 (DE) 驱动器, 可在有损且存在串扰的高速串行链路中实现数据传输, 比特误差率 (BER) $< 1 \times 10^{-15}$ 。

DS110DF410 器件具有自校准 5 抽头判决反馈均衡器 (DFE), 是串扰较为严重的信道的理想选择。

每个通道的数据传输速率均可独立锁定在 8.5Gbps 至 11.3Gbps 范围内 (及其相应的 1/2、1/4 和 1/8 子速率上), 从而支持各类通信协议。该器件使用一个 25MHz 的晶振时钟来加速 CDR 锁定过程。该时钟不用于校准锁相环 (PLL), 无需与串行数据同步。

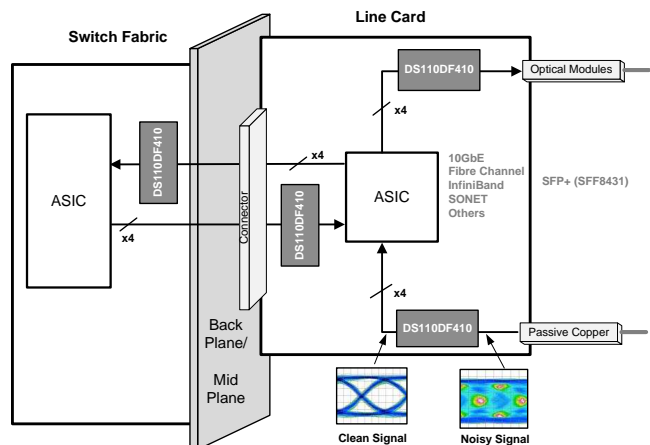
可编程设置既可以通过 SMBus (I2C) 接口进行应用, 也可以通过外部 EEPROM 进行加载。凭借片上眼图监视器和 PRBS 发生器, 可以在系统调通或现场调试过程中实时测量高速串行数据。

器件信息⁽¹⁾

| 器件型号 | 封装 | 封装尺寸 (标称值) |
|------------|-----------|-----------------|
| DS110RT410 | WQFN (48) | 7.00mm x 7.00mm |

(1) 要了解所有可用封装, 请见数据表末尾的可订购产品附录。

典型应用图



目录

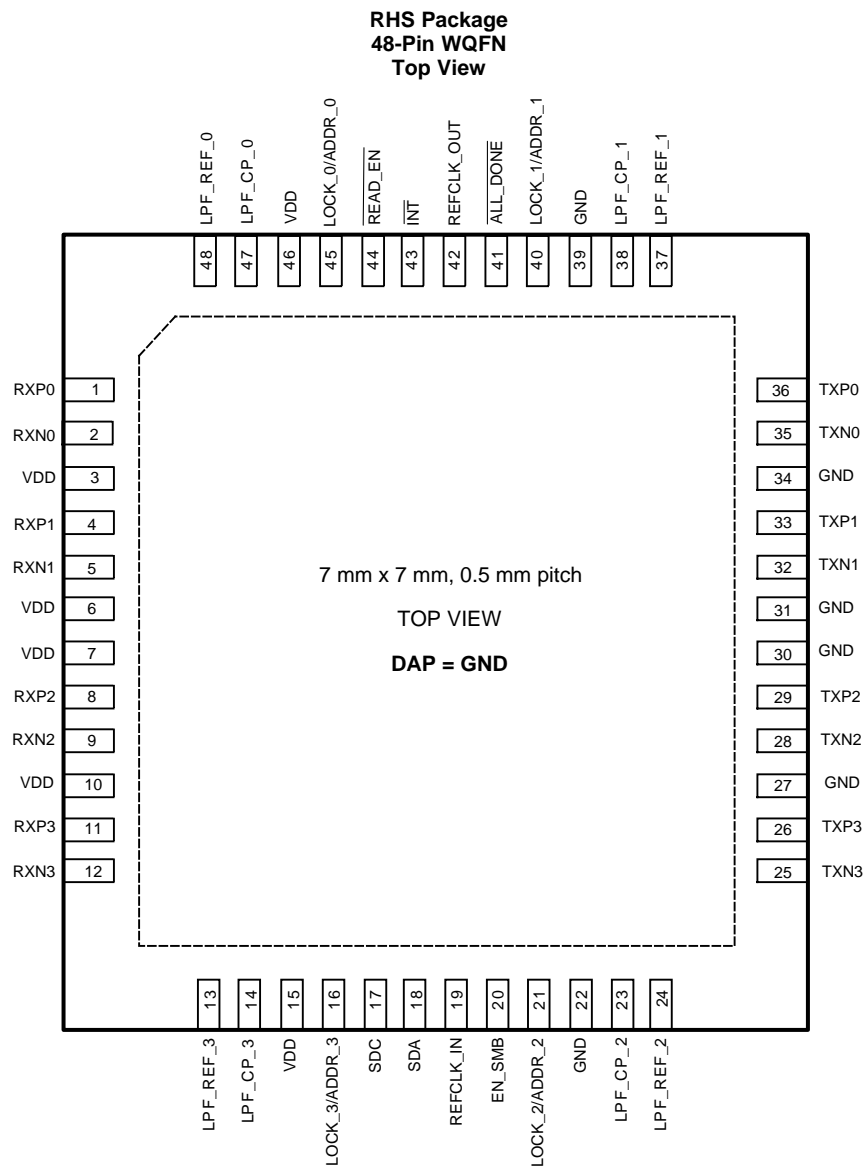
| | | | | | |
|----------|--|-----------|-----------|---|-----------|
| 1 | 特性 | 1 | 7.5 | Programming..... | 20 |
| 2 | 应用 | 1 | 7.6 | Register Maps | 34 |
| 3 | 说明 | 1 | 8 | Application and Implementation | 50 |
| 4 | 修订历史记录 | 2 | 8.1 | Application Information..... | 50 |
| 5 | Pin Configuration and Functions | 3 | 8.2 | Typical Application | 50 |
| 6 | Specifications..... | 6 | 9 | Power Supply Recommendations..... | 52 |
| 6.1 | Absolute Maximum Ratings | 6 | 10 | Layout..... | 52 |
| 6.2 | ESD Ratings..... | 6 | 10.1 | Layout Guidelines | 52 |
| 6.3 | Recommended Operating Conditions | 6 | 10.2 | Layout Example | 52 |
| 6.4 | Thermal Information | 6 | 11 | 器件和文档支持 | 54 |
| 6.5 | Electrical Characteristics..... | 7 | 11.1 | 器件支持 | 54 |
| 6.6 | Typical Characteristics..... | 10 | 11.2 | 文档支持 | 54 |
| 7 | Detailed Description | 11 | 11.3 | 社区资源 | 54 |
| 7.1 | Overview | 11 | 11.4 | 商标 | 54 |
| 7.2 | Functional Block Diagram | 11 | 11.5 | 静电放电警告..... | 54 |
| 7.3 | Feature Description..... | 11 | 11.6 | Glossary | 54 |
| 7.4 | Device Functional Modes..... | 13 | 12 | 机械、封装和可订购信息..... | 54 |

4 修订历史记录

注：之前版本的页码可能与当前版本有所不同。

| Changes from Original (May 2013) to Revision A | Page |
|--|-------------|
| • 已添加 ESD 额定值表，热性能信息表，特性描述部分，器件功能模式，应用和实施部分，电源相关建议部分，布局部分，器件和文档支持部分以及机械、封装和可订购信息部分 | 1 |
| • Changed Channel Register 33 to Reserved. | 44 |

5 Pin Configuration and Functions



Pin Functions

| PIN | | I/O, TYPE | DESCRIPTION |
|--------------------------------------|----------------------|------------------------|---|
| NAME | NO. | | |
| HIGH-SPEED DIFFERENTIAL I/O | | | |
| RXP0 RXN0 | 1 2 | I, CML | Inverting and non-inverting CML-compatible differential inputs to the equalizer. Nominal differential input impedance = 100 Ω. Must be AC coupled. |
| RXP1 RXN1 | 4 5 | I, CML | Inverting and non-inverting CML-compatible differential inputs to the equalizer. Nominal differential input impedance = 100 Ω. Must be AC coupled. |
| RXP2 RXN2 | 8 9 | I, CML | Inverting and non-inverting CML-compatible differential inputs to the equalizer. Nominal differential input impedance = 100 Ω. Must be AC coupled. |
| RXP3 RXN3 | 11 12 | I, CML | Inverting and non-inverting CML-compatible differential inputs to the equalizer. Nominal differential input impedance = 100 Ω. Must be AC coupled. |
| TXP0 TXN0 | 36 35 | O, CML | Inverting and non-inverting CML-compatible differential outputs from the driver. Nominal differential output impedance = 100 Ω. Must be AC coupled. |
| TXP1 TXN1 | 33 32 | O, CML | Inverting and non-inverting CML-compatible differential outputs from the driver. Nominal differential output impedance = 100 Ω. Must be AC coupled. |
| TXP2 TXN2 | 29 28 | O, CML | Inverting and non-inverting CML-compatible differential outputs from the driver. Nominal differential output impedance = 100 Ω. Must be AC coupled. |
| TXP3 TXN3 | 26 25 | O, CML | Inverting and non-inverting CML-compatible differential outputs from the driver. Nominal differential output impedance = 100 Ω. Must be AC coupled. |
| LOOP FILTER CONNECTION PINS | | | |
| LPF_CP_0 LPF_REF_0 | 47 48 | I/O, analog | Loop filter connection Place a 22 nF ± 10% capacitor between LPF_CP_0 and LPF_REF_0 |
| LPF_CP_1 LPF_REF_1 | 38 37 | I/O, analog | Loop filter connection Place a 22 nF ± 10% capacitor between LPF_CP_1 and LPF_REF_1 |
| LPF_CP_2 LPF_REF_2 | 23 24 | I/O, analog | Loop filter connection Place a 22 nF ± 10% capacitor between LPF_CP_2 and LPF_REF_2 |
| LPF_CP_3 LPF_REF_3 | 14 13 | I/O, analog | Loop filter connection Place a 22 nF ± 10% capacitor between LPF_CP_3 and LPF_REF_3 |
| REFERENCE CLOCK I/O | | | |
| REFCLK_IN | 19 | I, 2.5-V analog | Input is 2.5 V, 25 MHz ± 100-ppm reference clock from external oscillator No stringent phase noise requirement |
| REFCLK_OUT | 42 | O, 2.5-V analog | Output is 2.5 V, buffered replica of reference clock input for connecting multiple DS110RT410 devices on a board |
| LOCK INDICATOR PINS | | | |
| LOCK_0 LOCK_1 LOCK_2 LOCK_3 | 45 40 21 16 | O, 2.5-V LVCMOS | Output is 2.5 V, the pin is high when CDR lock is attained on the corresponding channel. These pins are shared with SMBus address strap input functions read at start-up. |
| SMBus MASTER MODE PINS | | | |
| $\overline{\text{ALL_DONE}}$ | 41 | O, 2.5-V LVCMOS | Output is 2.5 V, the pin goes low to indicate that the SMBus master EEPROM read has been completed. |
| $\overline{\text{READ_EN}}$ | 44 | I, 2.5-V LVCMOS | Input is 2.5 V, a transition from high to low starts the load from the external EEPROM. The $\overline{\text{READ_EN}}$ pin must be tied low when in SMBus slave mode. |
| INTERRUPT OUTPUT | | | |
| $\overline{\text{INT}}$ | 43 | O, 3.3-V Open Drain | Used to signal horizontal or vertical eye opening out of tolerance, loss of signal detect, or CDR unlock External 2-kΩ to 5-kΩ pullup resistor is required. Pin is 3.3-V LVCMOS tolerant. |

Pin Functions (continued)

| PIN | | I/O, TYPE | DESCRIPTION |
|--|------------------------------|----------------------------------|---|
| NAME | NO. | | |
| SERIAL MANAGEMENT BUS (SMBus) INTERFACE | | | |
| ADDR_0 | 45 | I, 2.5-V LVCMOS | Input is 2.5 V, the ADDR_[3:0] pins set the SMBus address for the retimer. These pins are strap inputs. Their state is read on power-up to set the SMBus address in SMBus control mode. These pins are shared with the lock indicator functions. See Table 12 . |
| ADDR_1 | 40 | | |
| ADDR_2 | 21 | | |
| ADDR_3 | 16 | | |
| EN_SMB | 20 | I, 2.5-V analog | Input is 2.5 V, selects SMBus master mode or SMBus slave mode. EN_SMB = High for slave mode EN_SMB = Float for master mode Tie READ_EN pin low for SMBus slave mode. See Table 11 . |
| SDA | 18 | I/O, 3.3-V LVCMOS, Open Drain | Data Input and Open Drain Output External 2-k Ω to 5-k Ω pullup resistor is required. Pin is 3.3-V LVCMOS tolerant. |
| SDC | 17 | I/O, 3.3-V LVCMOS, Open Drain | Clock Input and Open Drain Clock Output External 2-k Ω to 5-k Ω pullup resistor is required. Pin is 3.3-V LVCMOS tolerant. |
| POWER | | | |
| GND | 22, 27, 30, 31, 34, 39 | Power | Ground reference. |
| V _{DD} | 3, 6, 7, 10, 15, 46 | Power | V _{DD} = 2.5 V \pm 5% |
| DAP | PAD | Power | Ground reference. The exposed pad at the center of the package must be connected to ground plane of the board with at least 4 vias to lower the ground impedance and improve the thermal performance of the package. |

6 Specifications

6.1 Absolute Maximum Ratings

over operating free-air temperature range (unless otherwise noted) ⁽¹⁾

| | | MIN | MAX | UNIT |
|-------------------------------------|------------------------|------|------|------|
| V _{DD} | Supply voltage | -0.5 | 2.75 | V |
| LVCMOS and Analog | 2.5 I/O voltage | -0.5 | 2.75 | V |
| SDA, SDC, $\overline{\text{INT}}$ | 3.3 LVCMOS I/O voltage | -0.5 | 4.0 | V |
| RXP _n , RXN _n | Signal input voltage | -0.5 | 2.75 | V |
| TXP _n , TXN _n | Signal output voltage | -0.5 | 2.75 | V |
| | Junction temperature | | 150 | °C |
| T _{stg} | Storage temperature | -65 | 150 | °C |

- (1) Stresses beyond those listed under *Absolute Maximum Ratings* may cause permanent damage to the device. These are stress ratings only, which do not imply functional operation of the device at these or any other conditions beyond those indicated under *Recommended Operating Conditions*. Exposure to absolute-maximum-rated conditions for extended periods may affect device reliability.

6.2 ESD Ratings

| | | VALUE | UNIT |
|--------------------|-------------------------|--|-------|
| V _(ESD) | Electrostatic discharge | Human body model (HBM), per ANSI/ESDA/JEDEC JS-001, all pins ⁽¹⁾ | ±6000 |
| | | Charged device model (CDM), per JEDEC specification JESD22-C101, all pins ⁽²⁾ | ±1250 |
| | | Machine model (MM), STD - JESD22-A115-A | ±250 |

- (1) JEDEC document JEP155 states that 500-V HBM allows safe manufacturing with a standard ESD control process.

- (2) JEDEC document JEP157 states that 250-V CDM allows safe manufacturing with a standard ESD control process.

6.3 Recommended Operating Conditions

| | MIN | NOM | MAX | UNIT |
|---|-------|-----|-------|------|
| Supply voltage (V _{DD} to GND) | 2.375 | 2.5 | 2.625 | V |
| Ambient temperature | -40 | 25 | 85 | °C |

6.4 Thermal Information

| THERMAL METRIC ⁽¹⁾ | | DS110RT410 | UNIT |
|-------------------------------|--|------------|------|
| | | RHS (WQFN) | |
| | | 48 PINS | |
| R _{θJA} | Junction-to-ambient thermal resistance | 29.2 | °C/W |
| R _{θJC(top)} | Junction-to-case (top) thermal resistance | 10.2 | °C/W |
| R _{θJB} | Junction-to-board thermal resistance | 6.1 | °C/W |
| Ψ _{JT} | Junction-to-top characterization parameter | 0.1 | °C/W |
| Ψ _{JB} | Junction-to-board characterization parameter | 6.1 | °C/W |
| R _{θJC(bot)} | Junction-to-case (bottom) thermal resistance | 2.0 | °C/W |

- (1) For more information about traditional and new thermal metrics, see the *IC Package Thermal Metrics* application report, [SPRA953](#).

6.5 Electrical Characteristics

over recommended operating supply and temperature ranges with default register settings unless otherwise specified. ⁽¹⁾

| PARAMETER | | TEST CONDITIONS | MIN | TYP | MAX | UNIT |
|---|--|--|------|------|-----------------|-------------------|
| POWER | | | | | | |
| PD | Power supply consumption | Average power consumption ⁽²⁾ | | 720 | | mW |
| | | Max transient power supply current ⁽³⁾ | | 660 | 610 | mA |
| NT _{PS} | Supply noise tolerance ⁽⁴⁾ | 50 Hz to 100 Hz | | 100 | | mV _{P-P} |
| | | 100 Hz to 10 MHz | | 40 | | mV _{P-P} |
| | | 10 MHz to 5.0 GHz | | 10 | | mV _{P-P} |
| 2.5-V LVCMOS DC SPECIFICATIONS | | | | | | |
| V _{IH} | High level input voltage | | 1.75 | | V _{DD} | V |
| V _{IH} | High level (ADDR[3:0] pins) | | 2.28 | | V _{DD} | V |
| V _{IL} | Low level input voltage | | GND | | 0.7 | V |
| V _{IL} | Low level input voltage (ADDR[3:0] pins) | | GND | | 0.335 | V |
| V _{OH} | High level output voltage | I _{OH} = -3 mA | 2 | | | V |
| V _{OL} | Low level output voltage | I _{OL} = 3 mA | | | 0.4 | V |
| I _{IN} | Input leakage current | V _{IN} = V _{DD} | | | 10 | μA |
| | | V _{IN} = GND | -10 | | | μA |
| I _{IH} | Input high current (EN_SMB pin) | V _{IN} = V _{DD} | | 55 | | μA |
| I _{IL} | Input low current (EN_SMB pin) | V _{IN} = GND | | -110 | | μA |
| 3.3-V LVCMOS DC SPECIFICATIONS (SDA, SDC, I^{INT}) | | | | | | |
| V _{IH} | High level input voltage | V _{DD} = 2.5 V | 1.75 | | 3.6 | V |
| V _{IL} | Low level input voltage | V _{DD} = 2.5 V | GND | | 0.7 | V |
| V _{OL} | Low level output voltage | I _{PULLUP} = 3mA | | | 0.4 | V |
| I _{IH} | Input high current | V _{IN} = 3.6 V, V _{DD} = 2.5 V | 20 | | 40 | μA |
| I _{IL} | Input low current | V _{IN} = GND, V _{DD} = 2.5 V | -10 | | 10 | μA |
| f _{SDC} | SMBus clock rate | Slave mode | 100 | | 400 | kHz |
| | | Master mode ⁽⁵⁾ | | 400 | | |
| DATA BIT RATES | | | | | | |
| R _B | Bit rate range | | 8.5 | | 11.3 | Gbps |
| SIGNAL DETECT | | | | | | |
| SDH | Signal detect ON threshold level | Default differential input signal level to assert signal detect, 10.3125 Gbps, PRBS-31 | | 70 | | mV _{P-P} |
| SDL | Signal detect OFF threshold level | Default differential input signal level to deassert signal detect, 10.3125 Gbps, PRBS-31 | | 10 | | mV _{P-P} |

(1) Typical values represent most likely parametric norms at V_{DD} = 2.5 V, T_A = 25°C, and at the Recommended Operation Conditions at the time of product characterization.

(2) V_{DD} = 2.5 V, T_A = 25°C. All four channels active and locked.

(3) Maximum power supply current during lock acquisition. All four channels active, all four channels unlocked, all registers at default settings.

(4) Allowed supply noise (mV_{P-P} sine wave) under typical conditions.

(5) EEPROM device used for Master mode programming must support f_{SDC} greater than 400 kHz.

Electrical Characteristics (continued)

 over recommended operating supply and temperature ranges with default register settings unless otherwise specified. ⁽¹⁾

| PARAMETER | | TEST CONDITIONS | MIN | TYP | MAX | UNIT |
|-------------------------------------|---|--|------|------|-----|-------------------|
| RECEIVER INPUTS (RXPn, RXNn) | | | | | | |
| V _{TX2, min} | Minimum source transmit launch signal level (IN, diff) | See ⁽⁶⁾ | | 600 | | mV _{P-P} |
| V _{TX2, max} | Maximum source transmit launch signal level (IN, diff) | See ⁽⁶⁾ | | 1000 | | mV _{P-P} |
| V _{TX1, max} | Maximum source transmit launch signal level (IN, diff) | See ⁽⁷⁾ | | 1200 | | mV _{P-P} |
| V _{TX0, max} | Maximum source transmit launch signal level (IN, diff) | See ⁽⁸⁾ | | 1600 | | mV _{P-P} |
| L _{RI} | Maximum differential input return loss - SDD11 | 100 MHz to 6 GHz ⁽⁹⁾ | | -15 | | dB |
| Z _D | Differential input impedance | 100 MHz to 6 GHz | | 100 | | Ω |
| Z _S | Single-ended input impedance | 100 MHz to 6 GHz | | 50 | | Ω |
| DRIVER OUTPUTS (TXPn, TXNn) | | | | | | |
| V _{OD0} | Differential output voltage | Differential measurement with OUT+ and OUT- terminated by 50Ω to GND, AC-Coupled, SMBus register VOD control (Register 0x2d bits 2:0) set to 0, minimum VOD, De-emphasis control set to minimum (0 dB) | 400 | | 675 | mV _{P-P} |
| V _{OD7} | Differential output voltage | Differential measurement with OUT+ and OUT- terminated by 50Ω to GND, AC-Coupled SMBus register VOD control (Register 0x2d bits 2:0) set to 7, maximum VOD De-emphasis control set to minimum (0 dB) | 1000 | | | mV _{P-P} |
| V _{OD_DE} | De-emphasis level ⁽¹⁰⁾ | Differential measurement with OUT+ and OUT- terminated by 50Ω to GND, AC-Coupled Set by SMBus register control to maximum de-emphasis setting, Relative to the nominal 0 dB de-emphasis level set at the minimum de-emphasis setting | | -12 | | dB |
| t _R , t _F | Transition time (rise and fall times) ⁽¹⁰⁾ ⁽¹¹⁾ | Transition time control = Full Slew Rate | | 39 | | ps |
| | | Transition time control = Limited Slew Rate | | 50 | | ps |
| L _{RO} | Maximum differential output return loss - SDD22 | 100 MHz to 6 GHz ⁽⁹⁾ | | -15 | | dB |
| t _{DP} | Propagation delay | Retimed data ⁽¹²⁾ | | 300 | | ps |
| T _{DE} | De-emphasis pulse duration ⁽¹³⁾ | Measured at V _{OD} = 1000 mV _{P-P} , de-emphasis setting = -12 dB | | 75 | | ps |
| T _J | Output total jitter | Measured at BER = 10 ⁻¹² ⁽¹⁴⁾ | | 10 | | ps |
| T _{SKEW} | Intra pair skew | Difference in 50% crossing between TXPn and TXNn for any output | | 3 | | ps |
| | Channel-to-channel skew | | | 7 | | ps |

(6) Differential signal amplitude at the transmitter output providing < 1x10⁻¹² bit error rate. Measured at 10.3125 Gbps with a PRBS-31 data pattern. Input transmission channel is 40-inch long FR-4 stripline, 4-mil trace width.

(7) Differential signal amplitude at the transmitter output providing < 1x10⁻¹² bit error rate. Measured at 10.3125 Gbps with a PRBS-31 data pattern. Input transmission channel is 30-inch long FR-4 stripline, 4-mil trace width.

(8) Differential signal amplitude at the transmitter output providing < 1x10⁻¹² bit error rate. Measured at 10.3125 Gbps with a PRBS-31 data pattern. No input transmission channel.

(9) Measured with 10-MHz clock pattern output.

(10) Measured with clock-like {11111 00000} pattern.

(11) Slew rate is controlled by SMBus register settings.

(12) Typical at 10.3125-Gbps bit rate.

(13) De-emphasis pulse width varies with V_{OD} and de-emphasis settings.

(14) Typical with no output de-emphasis, minimum output transmission channel.

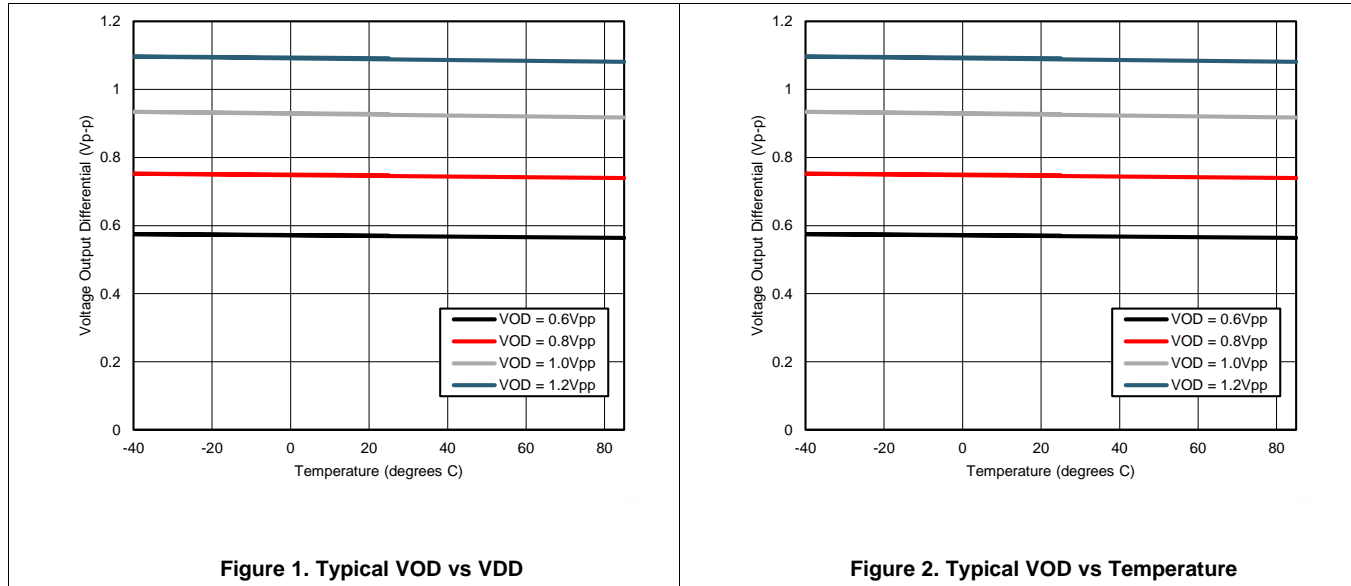
Electrical Characteristics (continued)

over recommended operating supply and temperature ranges with default register settings unless otherwise specified. ⁽¹⁾

| PARAMETER | | TEST CONDITIONS | MIN | TYP | MAX | UNIT |
|--|---|---|---------|------|---------|------|
| CLOCK AND DATA RECOVERY | | | | | | |
| BW _{PLL} | PLL bandwidth –3 dB | Measured at 10.3125 Gbps | | 5 | | MHz |
| J _{TOL} | Input sinusoidal jitter tolerance 10-kHz to 250-MHz sinusoidal jitter frequency | Measured at BER = 10 ^{–15} | | 0.6 | | UI |
| J _{TRANS} | Jitter transfer Sinusoidal jitter at 10-MHz jitter frequency | Measured at BER = 10 ^{–15} | | –6 | | dB |
| T _{LOCK} | CDR lock time, Ref_mode 3, Fixed data rate (for example, 10.3125 Gbps) | Fixed (manual setting) of CTLE, HEO/VEO lock monitor disabled (register 0x3e, bit 7 set to 0) | | 2 | | ms |
| | | Fixed (manual setting) of CTLE, HEO/VEO lock monitor enabled (register 0x3e, bit 7 set to 1 - default) | | 12 | | ms |
| | | Medium (20 inch) channel loss with CTLE adaption, HEO/VEO lock monitor must be enabled ⁽¹⁵⁾ | | 74 | | ms |
| TEMP _{LOCK} | CDR lock, Ref_mode 3, 10.3125 Gbps | Lock Temperature Range tested at –5°C to +85°C | | 90 | | °C |
| RECOMMENDED REFERENCE CLOCK SPECS | | | | | | |
| REF _f | Input reference clock frequency | | 24.9975 | 25 | 25.0025 | MHz |
| RECLK_IN _{PW} | Minimum REFCLK_IN pulse width | At REFCLK_IN pin | | 4 | | ns |
| REFCLK_ OUT _{DCD} | REFCLK_OUT duty cycle distortion | C _L = 5 pF | | 0.55 | | ns |
| REF _{VIH} | Reference clock input min high threshold | | | 1.75 | | V |
| REF _{VIL} | Reference clock input max low threshold | | | 0.7 | | V |

(15) The CDR lock time is when the input has a valid signal to when the output sends retimed data. The CDR lock time is after the CTLE adaption is completed.

6.6 Typical Characteristics



7 Detailed Description

7.1 Overview

The DS110RT410 is a multi-rate, 4-channel retimer. Each channel in the DS110RT410 operates independently. All channels include a continuous time linear equalizer (CTLE), clock and data recovery circuit (CDR) and a differential driver with programmable output voltage and de-emphasis. Each channel also has its own eye opening monitor (EOM) and configurable pseudo-random bit sequence (PRBS) pattern generator that can be used for debug purposes.

The DS110RT410 is configurable through a single SMBus port. The DS110RT410 can also act as an SMBus master to configure itself from an EEPROM.

The following sections describe the functionality of the various circuits and features within the DS110RT410.

7.2 Functional Block Diagram

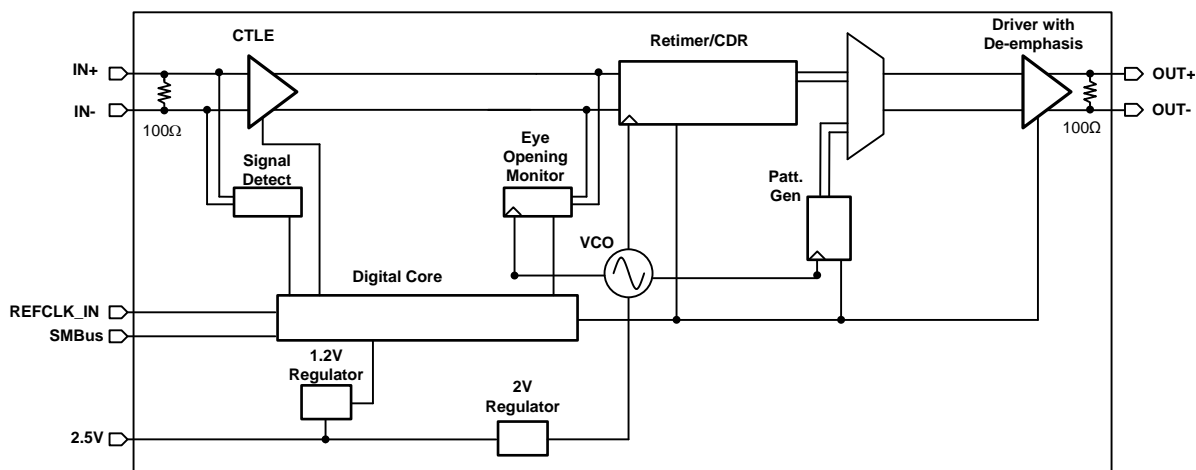


Figure 3. DS110RT410 Data Path Block Diagram — One of Four Channels

7.3 Feature Description

7.3.1 Device Data Path Operation

The data path operation of the DS110RT410 comprises with the functional sections as listed in the data path block diagram of [Figure 3](#). The functional sections are as follows.

- Signal Detect
- CTLE
- CDR
- Differential Driver with De-emphasis

7.3.2 Signal Detect

The signal detect circuit monitors the energy level on the receiver inputs and powers on or off the rest of the high speed data path if a signal is detected or not. By default, each channel allows the signal detect circuit to automatically power on or off the rest of the high speed data path depending on if a signal is present. The signal detect block can be manually controlled in the SMBus channel registers. This can be useful if it is desired manually force channels to be disabled.

7.3.3 CTLE

The CTLE in the DS110RT410 is a fully adaptive equalizer with optional limiting stage. The CTLE adapts according to a figure of merit (FOM) calculation during the lock acquisition process.

Feature Description (continued)

Once the CDR has locked and the CTLE has been adapted, the CTLE boost level will be frozen until a manual re-adapt command is issued or until the CDR re-enters the lock acquisition state. The CTLE is typically readapted by resetting the CDR.

The CTLE consists of 4 stages, with each stage having 2-bit boost control. This allows for 256 different stage-boost combinations. The CTLE adaption algorithm allows the CTLE to adapt through 32 of these stage-boost combinations. These 32 stage-boost combinations comprise the EQ Table in the channel registers; see channel registers 0x40 through 0x5F. This EQ Table can be reprogrammed to support up to 32 of the 256 stage-boost settings.

CTLE boost levels are determined by summing the boosts levels of the four stages. Different stage-boost combinations that sum to the same number will have approximately the same boost level, but will result in a different shape for the EQ transfer function (boost curve).

The fourth stage in the CTLE can be programmed through the SMBus interface to become a limiting stage rather than a linear stage.

7.3.4 Clock and Data Recovery

The DS110RT410 performs its clock and data recovery function by detecting the bit transitions in the incoming data stream and locking its internal VCO to the clock represented by the mean arrival times of these bit transitions. This process produces a recovered clock with greatly reduced jitter at jitter frequencies outside the bandwidth of the CDR phase-locked loop (PLL). This is the primary benefit of using the DS110RT410 in a system. It significantly reduces the jitter present in the data stream, in effect resetting the jitter budget for the system.

The DS110RT410 uses the 25-MHz reference to determine the coarse tuning setting for its internal VCO. On power-up, on CDR reset, and when the DS110RT410 loses lock and cannot re-acquire lock after four attempts, the 25-MHz reference is used to calibrate the VCO frequency. The required VCO frequency is set by using the rate/subrate settings (see [Table 2](#)) or by manually setting the PPM count and divide ratio. To calibrate the VCO frequency, the DS110RT410 searches through the available VCO coarse tuning settings and counts the divided VCO frequency using the 25-MHz reference as a clock source. The VCO coarse tuning setting which provides the VCO frequency closest to the required frequency is stored, and this coarse tuning setting is used for subsequent operation. This produces a fast, robust phase lock to the input signal.

7.3.5 Output Driver

The output driver is capable of driving variable output voltages with variable amounts of analog de-emphasis. The output voltage and de-emphasis level can be configured by writing registers over the SMBus. The DS110RT410 cannot determine independently the appropriate output voltage or de-emphasis setting, so the user is responsible for configuring these parameters. They can be set for each channel independently.

An idealized transmit waveform with analog de-emphasis applied is listed in [Figure 4](#).

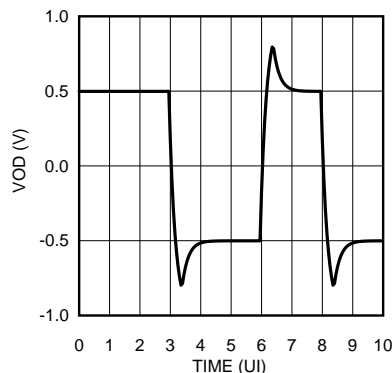


Figure 4. Idealized De-Emphasis Waveform

Feature Description (continued)

7.3.6 Device Configuration

The DS110RT410 can be configured by the user to optimize its operation. The four channels can be optimized independently in SMBus master or SMBus slave mode. The operational settings available for user configuration include the following.

- Rate and subrate setting
- Driver output voltage
- Driver output de-emphasis
- Driver output rise/fall time

7.3.6.1 Rate and Subrate Setting

Register 0x2f, bits 7:4, Registers 0x60, 0x61, 0x62, 0x63, and 0x64

The DS110RT410 is part of a family of retimer devices differentiated by different VCO frequency ranges. Each device in the retimer family is designed for operation in specific frequency bands and with specific data rate standards.

The DS110RT410 is designed to lock rapidly to any valid signal present at its inputs. It is also designed to detect incorrect lock conditions which can arise when the input data signals are strongly periodic. This condition is referred to as *false lock*. The DS110RT410 discriminates against false lock by using its 25-MHz reference to ensure that the VCO frequency resulting from its internal phase-locking process is correct.

To determine the correct VCO frequency, the digital circuitry in the DS110RT410 requires some user-supplied information about the expected data rate or data rates. This information is provided by writing several device registers using the SMBus.

7.4 Device Functional Modes

7.4.1 SMBus Master Mode and SMBus Slave Mode

In SMBus master mode the DS110RT410 reads its initial configuration from an external EEPROM upon power-up. A description of the operation of this mode appears in the *DS100DF410EVK, DS110DF410EVK, DS125DF410EVM User's Guide (SNLU126)*.

Some of the pins of the DS110RT410 perform the same functions in SMBus master and SMBus slave mode. Once the DS110RT410 has finished reading its initial configuration from the external EEPROM in SMBus master mode it reverts to SMBus slave mode and can be further configured by an external controller over the SMBus. The following two pins provide unique functions in SMBus master mode:

- $\overline{\text{ALL_DONE}}$
- $\overline{\text{READ_EN}}$

These pins are meant to work together. When the DS110RT410 is powered up in SMBus master mode, it reads its configuration from the external EEPROM when the $\overline{\text{READ_EN}}$ pin goes low. When the DS110RT410 is finished reading its configuration from the external EEPROM, it drives its $\overline{\text{ALL_DONE}}$ pin low. In applications where there is more than one DS110RT410 on the same SMBus, bus contention can result if more than one DS110RT410 tries to take command of the SMBus at the same time. The $\overline{\text{READ_EN}}$ and $\overline{\text{ALL_DONE}}$ pins prevent this bus contention.

The system should be designed so that the $\overline{\text{READ_EN}}$ pin of one of the DS110RT410 devices in the system is driven low on power-up. This DS110RT410 will take command of the SMBus on power-up and will read its initial configuration from the external EEPROM. When it is finished reading its configuration, it will set its $\overline{\text{ALL_DONE}}$ pin low. This pin should be connected to the $\overline{\text{READ_EN}}$ pin of another DS110RT410. When this DS110RT410 senses its $\overline{\text{READ_EN}}$ pin driven low, it will take command of the SMBus and read its initial configuration from the external EEPROM, after which it will set its $\overline{\text{ALL_DONE}}$ pin low. By connecting the $\overline{\text{ALL_DONE}}$ pin of each DS110RT410 to the $\overline{\text{READ_EN}}$ pin of the next DS110RT410, each DS110RT410 can read its initial configuration from the EEPROM without causing bus contention.

For SMBus slave mode, the $\overline{\text{READ_EN}}$ pin **must be tied low**. Do not leave the $\overline{\text{READ_EN}}$ pin floating or tie it high.

Device Functional Modes (continued)

A connection diagram with several DS110RT410 devices along with an external EEPROM and an external SMBus master is listed in [Figure 5](#). The SMBus master must be prevented from trying to take control of the SMBus until the DS110RT410 devices have finished reading their initial configurations from the EEPROM.

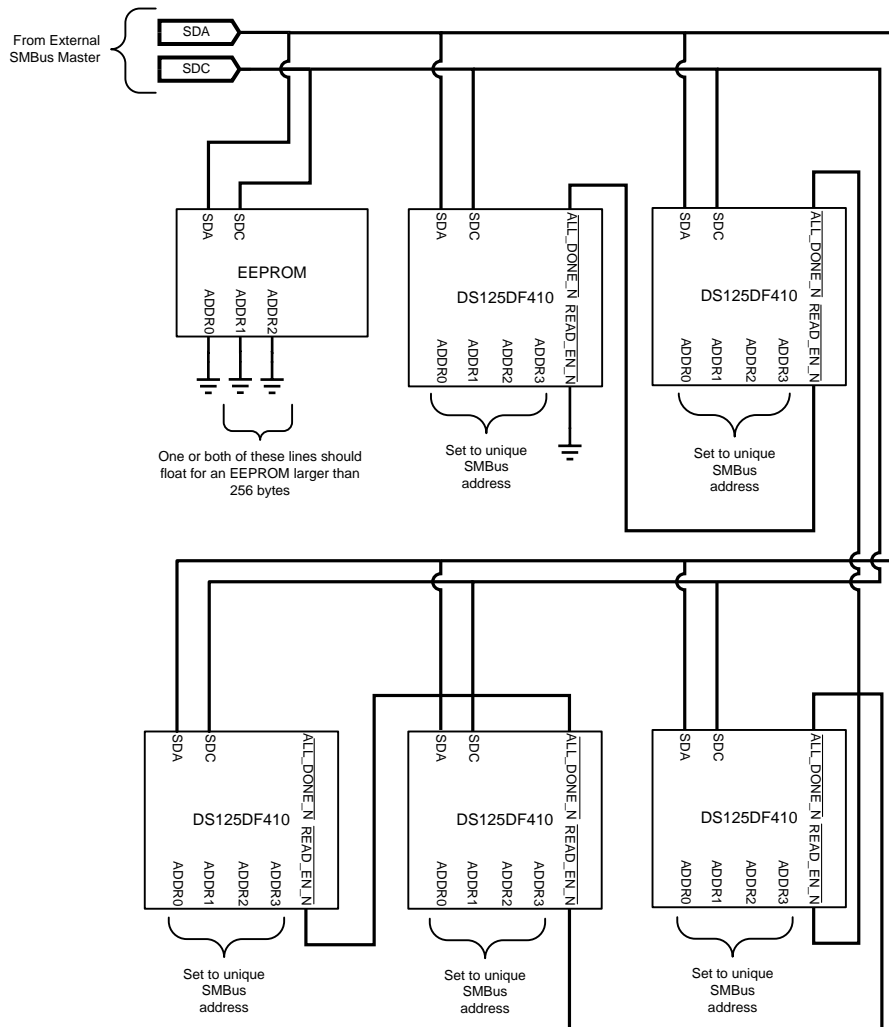


Figure 5. Connection Diagram for Multiple DS110RT410 Devices in SMBus Master Mode

In SMBus master mode after the DS110RT410 has finished reading its initial configuration from the external EEPROM it reverts to SMBus slave mode. In either mode the SMBus data and clock lines, SDA and SDC, are used. Also, in either mode, the SMBus address is latched in on the address strap lines on power-up. In SMBus slave mode, if the $\overline{\text{READ_EN}}$ pin is not tied low, the DS110RT410 will not latch in the address on its address strap lines. It will instead latch in an SMBus write address of 0x30 regardless of the state of the address strap lines. This is a test feature. Obviously a system with multiple retimers cannot operate properly if all the retimers are responding to the same SMBus address. Tie the $\overline{\text{READ_EN}}$ pin low when operating in SMBus slave mode to avoid this condition.

The DS110RT410 reads its SMBus address upon power-up from the SMBus address lines.

7.4.2 Address Lines <ADDR_[3:0]>

In either SMBus master or SMBus slave mode the DS110RT410 must be assigned an SMBus address. A unique address should be assigned to each device on the SMBus.

Device Functional Modes (continued)

The SMBus address is latched into the DS110RT410 on power-up. The address is read in from the state of the <AD3:AD0> lines (pins 16, 21, 40, and 45 respectively) upon power-up. In either SMBus mode these address lines are input pins on power-up.

The DS110RT410 can be configured with any of 16 SMBus addresses. The SMBus addressing scheme uses the least-significant bit of the SMBus address as the Read/Write_N address bit. When an SMBus device is addressed for writing, this bit is set to 0; for reading, to 1. [Table 1](#) lists the write address setting for the DS110RT410 versus the values latched in on the address lines at power-up.

The address byte sent by the SMBus master over the SMBus is always 8 bits long. The least-significant bit indicates whether the address is for a write operation, in which the master will output data to the SMBus to be read by the slave, or a read operation, in which the slave will output data to the SMBus to be read by the master. If the least-significant bit is a 0, the address is for a write operation. If it is a 1, the address is for a read operation. Accordingly, SMBus addresses are sometimes referred to as seven-bit addresses. To produce the write address for the SMBus, the seven-bit address is left-shifted by one bit. To produce the read address, it is left shifted by one bit and the least-significant bit is set to 1. [Table 1](#) lists the seven-bit addresses corresponding to each set of address line values.

When the DS110RT410 is used in SMBus slave mode, the READ_EN pin must be tied low. If it is tied high or floating, the DS110RT410 will not latch in its address from the address lines on power-up. When the READ_EN pin is tied high in SMBus slave mode (that is, when the EN_SMB pin (pin 20) is tied high), the DS110RT410 will revert to an SMBus write address of 0x30. This is a test feature. If there are multiple DS110RT410 devices on the same SMBus, they will all revert to an SMBus write address of 0x30, which can cause SMBus collisions and failure to access the DS110RT410 devices over the SMBus.

Table 1. DS110RT410 SMBus Write Address Assignment

| ADDR_3 | ADDR_2 | ADDR_1 | ADDR_0 | SMBus WRITE ADDRESS | SEVEN-BIT SMBus ADDRESS |
|--------|--------|--------|--------|---------------------|-------------------------|
| 0 | 0 | 0 | 0 | 0x30 | 0x18 |
| 0 | 0 | 0 | 1 | 0x32 | 0x19 |
| 0 | 0 | 1 | 0 | 0x34 | 0x1a |
| 0 | 0 | 1 | 1 | 0x36 | 0x1b |
| 0 | 1 | 0 | 0 | 0x38 | 0x1c |
| 0 | 1 | 0 | 1 | 0x3a | 0x1d |
| 0 | 1 | 1 | 0 | 0x3c | 0x1e |
| 0 | 1 | 1 | 1 | 0x3e | 0x1f |
| 1 | 0 | 0 | 0 | 0x40 | 0x20 |
| 1 | 0 | 0 | 1 | 0x42 | 0x21 |
| 1 | 0 | 1 | 0 | 0x44 | 0x22 |
| 1 | 0 | 1 | 1 | 0x46 | 0x23 |
| 1 | 1 | 0 | 0 | 0x48 | 0x24 |
| 1 | 1 | 0 | 1 | 0x4a | 0x25 |
| 1 | 1 | 1 | 0 | 0x4c | 0x26 |
| 1 | 1 | 1 | 1 | 0x4e | 0x27 |

Once the DS110RT410 has latched in its SMBus address, its registers can be read and written using the two pins of the SMBus interface, serial data (SDA) and serial data clock (SDC).

7.4.3 SDA and SDC

In both SMBus master and SMBus slave mode, the DS110RT410 is configured using the SMBus. The SMBus consists of two lines, the SDA or serial data line (pin 18) and the SDC or serial clock line (pin 17). In the DS110RT410 these pins are 3.3-V tolerant. The SDA and SDC lines are both open-drain. They require a pullup resistor to a supply voltage, which may be either 2.5 V or 3.3 V. A pullup resistor in the 2-kΩ to 5-kΩ range will provide reliable SMBus operation.

The SMBus is a standard communications bus for configuring simple systems. For a specification of the SMBus and description of its operation, see smbus.org/specs/.

7.4.4 Standards-Based Modes

The DS110RT410 is designed to automatically operate with various multi-band data standards.

The first set of register writes constrain the coarse VCO tuning and the VCO divider ratios. When these registers are set as indicated in [Table 2](#), the DS110RT410 restricts its coarse VCO tuning to a set of coarse tuning values. It also restricts the VCO divider ratio to the set of divider ratios required to cover the frequency bands for the desired data rate standard. This enables the DS110RT410 to acquire phase lock more quickly than would be possible if the coarse tuning range were unrestricted.

Table 2. Standards-Based Modes Register Settings

| STANDARDS | DATA RATES (Gbps) | VCO FREQUENCIES (GHz) | DIVIDER RATIOS | REGISTER 0x2F VALUE (hex) |
|---------------|----------------------------|-----------------------|----------------|---------------------------|
| Ethernet | 1.25, 10.3125 | 10.0, 10.3125 | 1, 8 | 0x06 |
| Fibre-Channel | 2.125, 4.25, 8.5, 10.51875 | 8.5, 10.51875 | 1, 2, 4 | 0x16 |
| Infiniband | 2.5, 5, 10 | 10.0 | 1, 2, 4 | 0x26 |
| SDH/SONET | 2.48832, 9.95328 | 9.5328 | 1, 4 | 0x56 |
| PROP1a | 8.25 | 8.25 | 1 | 0x76 |
| PROP1b | 8.5 | 8.5 | 1 | 0x86 |
| Interlaken 2 | 10.3125 | 10.3125 | 1 | 0xC6 |
| SFF-8431 | 9.95328 | 9.95328 | 1 | 0xD6 |

As an example of the usage of the registers in [Table 2](#), assume that the retimer is required to operate in 10-GbE or 1-GbE mode. By setting register 0x2f, bits 7:4, to 4'b0000, the DS110RT410 will automatically set its divider ratio and its coarse VCO tuning setting to lock to either a 10-GbE signal (at 10.3125 Gbps) or a 1-GbE signal (at 1.25 Gbps) at its input.

For Fibre-Channel, the standard requiring a 10.51875-GHz VCO frequency and the standard requiring an 8.5-GHz VCO frequency require different settings for the registers listed in [Table 2](#). The retimer cannot automatically switch between these two standards.

For some standards listed in [Table 2](#), the required VCO frequency is the same for each data rate in the standard. Only the divider ratios are different. The retimer can automatically switch between the required divider ratios with a single set of register settings.

For other data rates, it is also necessary to set the expected PPM count and the PPM count tolerance. These are the values the retimer uses to detect a valid frequency lock.

For the 10-GbE and 1-GbE mode listed in [Table 2](#), two frequency groups are defined. These two frequency groups are referred to as *Group 0*, for 1 GbE, and *Group 1*, for 10 GbE. This same frequency group structure is present for all frequency modes, but for some modes the expected frequency for both groups is the same. The expected PPM count information for Group 0 is set in registers 0x60 and 0x61. For Group 1, it is set in registers 0x62 and 0x63. For both groups, the PPM count tolerance is set in register 0x64.

The value of the PPM count for either group is computed the same way from the expected data rate in Gbps, R_{Gbps} . The PPM count value, denoted N_{PPM} , is computed by $N_{\text{PPM}} = R_{\text{Gbps}} \times 1280$.

As an example we consider the PPM count setup for 10 GbE and 1 GbE. The expected PPM count for Group 0, which in this case is 1 GbE, is set in registers 0x60 and 0x61. The expected VCO frequency for 1 GbE is 10.0 GHz. The actual data rate for 1 GbE, which is 8B/10B coded, is 1.25 Gbps. With a VCO divide ratio of 8, which is the divide ratio automatically used by the retimer for 1 GbE, this yields a VCO frequency of 10.0 GHz.

We compute the PPM count as $N_{\text{PPM}} = 10.0 \times 1280 = 12800$. This is a decimal value. In hexadecimal, this is 0x3200.

The lower-order byte is loaded into register 0x60. The higher order byte, 0x32, is loaded into the 7 least-significant bits of register 0x61. In addition, bit 7 of register 0x61 is set, indicating manual load of the PPM count.

When this is complete, register 0x60 will contain 0x00. Register 0x61 will contain 0xb2.

For the example we are considering, Group 1 is for 10 GbE. Here the actual data rate for the 64/66B encoded 10 GbE data is 10.3125 Gbps. For 10 GbE, the retimer automatically uses a divide ratio of 1, so the VCO frequency is also 10.3125 GHz. For 10 GbE, we compute the expected PPM count as $N_{PPM} = 10.3125 \times 1280 = 13200$. Again, this is a decimal value. In hexadecimal, this is 0x3390.

The lower order byte for Group 1, 0x90, is loaded into register 0x62. The higher-order byte, 0x33, is loaded into the 7 least-significant bits of register 0x63. As with the Group 0 settings, bit 7 of register 0x63 is also set.

When this is complete, register 0x62 will contain 0x90. Register 0x63 will contain 0xb3.

Finally, register 0x64 should be set to a value of 0xff. This is the PPM count tolerance. The resulting tolerance in parts per million is given by $Tol_{PPM} = (1 \times 10^{-6} \times N_{TOL}) / N_{PPM}$. In this equation, N_{TOL} is the 4-bit tolerance value loaded into the upper or lower four bits of register 0x64. For the example we are using here, both of these values are 0xf, or decimal 15. For a PPM count value of 12800, for Group 0, this yields a tolerance of 1172 parts per million. For a PPM count value of 13200, for Group 1, this yields a tolerance of 1136 parts per million.

These tolerance values can be reduced if it is known that the frequency accuracy of the system and of the 25-MHz reference clock are very good. For most applications, however, a value of 0xff in register 0x64 will give robust performance.

For all the other standards listed in [Table 2](#) the expected PPM count for Group 0 (registers 0x60 and 0x61) and Group 1 (registers 0x62 and 0x63) will be set the same, since there is only one VCO frequency for these standards. The expected PPM count and tolerance are computed as described previously for 10 GbE and 1 GbE. The same values are written to each pair of PPM count registers for these standards.

As is the case with the standards-based mode of operation, the expected PPM count value and the PPM count tolerance must be written to registers 0x60, 0x61, 0x62, 0x63, and 0x64. These are computed exactly as described previously for the standards-based mode of operation. Since the frequency-range-based mode of operation uses both Group 0 and Group 1 with the same expected PPM count, the same values should be loaded into the pairs of registers 0x60 and 0x62, and 0x61 and 0x63.

As an example, suppose that the expected data rate is 8.5 Gbps. The VCO frequency for the frequency-range-based mode of operation is also 8.5 GHz. So we compute $N_{PPM} = 8.5 \times 1280 = 10880$. This is a decimal value. In hexadecimal this is 0x2a80.

We write the lower-order byte, 0x80 into registers 0x60 and 0x62. We write the higher order byte, 0x2a, into the least-significant 7 bits of registers 0x61 and 0x63. We also set bit 7 of registers 0x61 and 0x63. When this operation is complete, registers 0x60 and 0x62 will contain a value of 0x80. Registers 0x61 and 0x63 will contain a value of 0xaa.

We also write the PPM tolerance into both the upper and lower four bits of register 0x64. If we write this register to a value of 0xff, then the PPM count tolerance in parts per million will be given by $Tol_{PPM} = (1 \times 10^{-6} \times N_{TOL}) / N_{PPM} = 1379$ parts per million. This value will be appropriate for most systems.

In summary, for data rates that correspond to the pre-defined standards for the DS110RT410, the standards-based mode of operation can be used. This mode offers automatic switching of the divide ratio (and, for 10 GbE and 1 GbE, the VCO frequency) to easily accommodate operation over harmonically-related data rates. For data rates that are not covered by the pre-defined standards, the frequency-range-based mode of operation can be used. This mode works with a fixed divider ratio, which is nominally 1. However, the divider ratio can be forced to other values if desired.

The register configuration procedure is as follows:

1. Select the desired channel of the DS110RT410 by writing the appropriate value to register 0xff.
2. Set bits 5:4 of register 0x36 to a value of 2'b11 as described previously to enable the 25-MHz reference clock.
3. Write registers 0x2f, and 0x36 with the correct values.
4. Compute the expected PPM count values for Group 0 and Group 1 as described previously.
5. Write the expected PPM count values into registers 0x60-0x63 as described previously, setting bit 7 of both registers 0x61 and 0x63.
6. Set the value 0xff into register 0x64 for an approximate PPM count tolerance of 1100-1400 PPM.
7. Reset the retimer CDR by setting and then clearing bits 3:2 of register 0x0a.

If there is a signal at the correct data rate present at the input to the DS110RT410, the retimer will lock to it.

In *ref_mode* 3, bits 5:4 of register 0x36 are set to 2'b11, it is not necessary to set the CAP DAC values the DS110RT410 determines the correct CAP DAC values automatically.

Because it is not necessary to set the CAP DAC values for Group 0 and Group 1 *a-priori* in *ref_mode* 3, the DS110RT410 can be set up to use automatically switching divider ratios and arbitrary VCO frequencies in this mode. The mapping of values in register 0x2f, bits 7:4, versus the divider ratios used for each of the two groups is listed in [Table 3](#).

Table 3. Divider Ratio Settings versus Register 0x2f Setting

| REGISTER 0x2f, BITS 7:4 | DIVIDER RATIO GROUP 0 | DIVIDER RATIO GROUP 1 |
|-------------------------|-----------------------|-----------------------|
| 4'b0000 | 8 | 1 |
| 4'b0001 | 1, 2, 4 | 1 |
| 4'b0010 | 1, 2, 4 | 1, 2, 4 |
| 4'b0100 | 2, 4 | 2, 4 |
| 4'b0101 | 1, 4 | 1, 4 |
| 4'b0110 | 1, 2, 4, 8 | 1, 2, 4, 8 |
| 4'b0111 | 1 | 1 |
| 4'b1000 | 1 | 1 |
| 4'b1010 | 2 | 2 |
| 4'b1100 | 1 | 1 |
| 4'b1101 | 1 | 1 |

For the entries in [Table 3](#) where the divider ratios are the same for the two groups, the expected PPM count for the two groups does not have to be the same. Therefore, in *ref_mode* 3, a single set of register settings can be used to specify multiple VCO frequencies either with the same divider ratio or with different divider ratios.

7.4.4.1 *Ref_mode* 3 Mode (Reference Clock Required)

Ref_mode 3 requires an external 25-MHz clock. This mode of operation is set in register 0x36 bits [5:4] = 2'b11 and is the default setting. In *ref_mode* 3, the external reference clock is used to aid initial phase lock, and to determine when its VCO is properly phase-locked. An external oscillator should be used to generate a 2.5-V, 25-MHz reference signal that is connected to the DS110RT410 on the reference clock input pin (pin 19). The DS110RT410 does not include a crystal oscillator circuit, so a stand-alone external oscillator is required.

The reference clock speeds up the initial phase lock acquisition. The DS110RT410 is set to phase lock to a known data rate, or a constrained set of known data rates, and the digital circuitry in the DS110RT410 preconfigures the VCO frequency. This enables the DS110RT410 phase-lock to the incoming signal very quickly.

The reference clock is used to calibrate the VCO coarse tuning. However, the reference clock is not synchronous to the data stream, and the quality of the reference clock does not affect the jitter on the output retimed data. The retimed data clock for each channel is synchronous to the VCO internal to that channel of the DS110RT410.

The phase noise of the reference clock is not critical. Any commercially-available 25-MHz oscillator can provide an acceptable reference clock. The reference clock can be daisy-chained from one retimer to another so that only one reference oscillator is required in a system.

7.4.4.2 False Lock Detector Setting

The register 0x2F, bit 1 is set to 1 by default, which disables the false lock detector. This bit must be set to 0 to enable the false lock detector function.

7.4.4.3 Reference Clock In

REFCLK_IN pin 19 is for reference clock input. A 25-MHz oscillator should be connected to pin 19. See [Electrical Characteristics](#) for the requirements on the 25-MHz clock. The frequency of the reference clock should always be 25 MHz no matter what data rate or mode of operation is used.

7.4.4.4 Reference Clock Out

REFCLK_OUT pin 42 is the reference clock output pin. The DS110RT410 drives a buffered replica of the

25-MHz reference clock input on this output pin. If there are multiple DS110RT410 in the system, the REFCLK_OUT pin can be directly connected to the REFCLK_IN pin of another DS110RT410 in a daisy chain connection. The number of devices cascaded in a REF_CLK daisy chain is affected by the effective capacitance of the board trace connecting the REFCLK_OUT of one device to the REFCLK_IN of the next device. The pulse high duration at the input of the last device must be greater than 4 ns for proper operation.

In cases of cascading daisy chain with short trace (around 1.5 inches or 5-pF trace capacitance), it is possible to cascade up to nine devices. In other systems with longer interconnecting trace or more capacitive loading, the max number of daisy chained devices would be smaller. In a system that requires longer daisy chain, TI recommends placing an inverted gate after the sixth device. The pre-distorted duty cycle from the inverter allows for longer daisy chain. A better approach is to break the long daisy chain into two shorter chains, each driven by a buffer version of the clock and with each chain kept to a maximum of 6. As an example, if there are 12 devices in the system, the daisy chain connections can be divided into two groups of 6 devices and PCB trace length for the reference clock output to input connection should be 1.5 inches or less.

7.4.4.5 Driver Output Voltage

The differential output voltage of the DS110RT410 can be configured from a nominal setting of 600-mV peak-to-peak differential to a nominal setting of 1.3-V peak-to-peak differential, depending upon the application. The driver output voltage as set is the typical peak-to-peak differential output voltage with no de-emphasis enabled.

7.4.4.6 Driver Output De-Emphasis

The output de-emphasis level of the DS110RT410 can be configured from a nominal setting of 0 dB to a nominal setting of –12 dB depending upon the application. Larger absolute values of the de-emphasis setting provide more pre-distortion of the output driver waveform, accentuating the high-frequency components of the output driver waveform relative to the low-frequency components. Greater values of de-emphasis can compensate for greater dispersion in the transmission media at the output of the DS110RT410. The output de-emphasis level as set is the typical value to which the output signal will settle following the de-emphasis pulse interval in dB relative to the output VOD.

7.4.4.7 Driver Output Rise and Fall Time

In some applications, a longer rise and fall time for the output signal is desired. This can reduce electromagnetic interference (EMI) generated by fast switching waveforms. This is necessary in some applications for regulatory compliance. In others, it can reduce the crosstalk in the system.

The DS110RT410 can be configured to operate with a nominal rise and fall time corresponding to the maximum slew rate of the output drivers into the load capacitance. Alternatively, the DS110RT410 can be configured to operate with a slightly greater rise and fall time if desired. For the typical specifications on rise and fall time, see [Electrical Characteristics](#).

7.4.4.8 $\overline{\text{INT}}$

The $\overline{\text{INT}}$ line is an open-drain, 3.3-V tolerant, LVCMOS active-low output. The $\overline{\text{INT}}$ lines from multiple DS110RT410 devices can be wired together and connected to an external controller.

The Horizontal Eye Opening/Vertical Eye Opening (HEO/VEO) interrupt can be enabled using SMBus control for each channel independently. This interrupt is disabled by default. The thresholds for horizontal and vertical eye opening that will trigger the interrupt can be set using the SMBus control for each channel.

If any interrupt occurs, registers in the DS110RT410 latch in information about the event that caused the interrupt. This can then be read out by the controller over the SMBus.

7.4.4.9 LOCK_3, LOCK_2, LOCK_1, and LOCK_0

Each channel of the DS110RT410 has an independent lock indication pin. These lock indication pins, LOCK_3, LOCK_2, LOCK_1, and LOCK_0, are pin 16, pin 21, pin 40, and pin 45 respectively. These pins are shared with the SMBus address strap lines. After the address values have been latched in on power-up, these lines revert to their lock indication function.

When the corresponding channel of the DS110RT410 is locked to the incoming data stream, the lock indication pin goes high. This pin can be used to drive an LED on the board, giving a visual indication of the lock status, or it can be connected to other circuitry that can interpret the lock status of the channel.

7.5 Programming

- SMBus Master Configuration Mode
- SMBus Slave Configuration Mode

The configuration mode is selected by the state of the SMBus Enable pin (pin 20) when the DS110RT410 is powered-up. This pin should be either left floating or tied to the device V_{DD} through an optional 1-k Ω resistor. The effect of each of these settings is listed in [Table 4](#).

Table 4. SMBus Enable Settings

| PIN SETTING | CONFIGURATION MODE | DESCRIPTION | $\overline{\text{READ_EN}}$ PIN |
|-------------|--------------------|---|--|
| Float | SMBus Master Mode | Device reads its configuration from an external EEPROM on power-up. | Pull low to initiate reading configuration data from external EEPROM |
| High (1) | SMBus Slave Mode | Device is configured over the SMBus by an external controller. | Tie low to enable proper address strapping on power-up |

7.5.1 SMBus Strap Observation

Register 0x00, bits 7:4 and register 0x06, bits 3:0

In order to communicate with the DS110RT410 over the SMBus, it is necessary for the SMBus controller to know the address of the DS110RT410. The address strap observation bits in control/shared register 0x00 are primarily useful as a test of SMBus operation. There is no way to get the DS110RT410 to tell what its SMBus address is unless it is already known.

In order to use the address strap observation bits of control/shared register 0x00, it is necessary first to set the diagnostic test control bits of control/shared register 0x06. This four-bit field should be written with a value of 0xa. When this value is written to bits 3:0 of control/shared register 0x06, then the value of the SMBus address straps can be read in register 0x00, bits 7:4. The value read will be the same as the value present on the ADDR3:ADDR0 lines when the DS110RT410 was powered up. For example, if a value of 0x1 is read from control/shared register 0x00, bits 7:4, then at power-up the ADDR0 line was set to 1 and the other address lines, ADDR3:ADDR1, were all set to 0. The DS110RT410 is set to an SMBus Write address of 0x32.

7.5.2 Device Revision and Device ID

Register 0x01

Control/shared register 0x01 contains the device revision and device ID. The device revision listed in [Table 13](#) is the current revision for the DS110RT410. The device ID will be different for the different devices in the retimer family. This register is useful because it can be interrogated by software to determine the device variant and revision installed in a particular system. The software might then configure the device with appropriate settings depending upon the device variant and revision.

7.5.3 Control/Shared Register Reset

Register 0x04, bit 6

Register 0x04, bit 6, clears all the control/shared registers back to their factory defaults. This bit is self-clearing, so it is cleared after it is written and the control/shared registers are reset to their factory default values.

7.5.4 Interrupt Channel Flag Bits

Register 0x05, bits 3:0

The operation of these bits is described in [Interrupt Status](#).

7.5.5 SMBus Master Mode Control Bits

Register 0x04, bits 5 and 4 and register 0x05, bits 7 and 4

Register 0x04, bit 5, can be used to reset the SMBus master mode. This bit should not be set if the DS110RT410 is in SMBus slave mode. This is an undefined condition.

When this bit is set, if the EN_SMB pin is floating (meaning that the DS110RT410 is in SMBus master mode), then the DS110RT410 will read the contents of the external EEPROM when the $\overline{\text{READ_EN}}$ pin is pulled low. This bit is not self-clearing, so it should be cleared after it is set.

When the DS110RT410 EN_SMB pin is floating (meaning that the DS110RT410 is in SMBus master mode), it will read from its external EEPROM when its $\overline{\text{READ_EN}}$ pin goes low. After the EEPROM read operation is complete, register 0x05, bit 4 will be set. Alternatively, the DS110RT410 will read from its external EEPROM when triggered by register 0x04, bit 4, as described in the following.

When register 0x04, bit 4, is set, the DS110RT410 reads its configuration from an external EEPROM over the SMBus immediately. When this bit is set, the DS110RT410 does not wait until the $\overline{\text{READ_EN}}$ pin is pulled low to read from the EEPROM. This EEPROM read occurs whether the DS110RT410 is in SMBus master mode or not. If the read from the EEPROM is not successful, for example because there is no EEPROM present, then the DS110RT410 may hang up and a power-up reset may be necessary to return it to proper operation. You should only set this bit if you know that the EEPROM is present and properly configured.

If the EEPROM read has already completed, then setting register 0x04, bit 4, will not have any effect. To cause the DS110RT410 to read from the EEPROM again it is necessary to set bit 5 of register 0x04, resetting the SMBus master mode. If the DS110RT410 is not in SMBus master mode, do not set this bit. After setting this bit, it should be cleared before further SMBus operations.

After SMBus master mode has been reset, the EEPROM read may be initiated either by pulling the $\overline{\text{READ_EN}}$ pin low or by then setting register 0x04, bit 4.

Register 0x05, bit 7, disables SMBus master mode. This prevents the DS110RT410 from trying to take command of the SMBus to read from the external EEPROM. Obviously this bit will have no effect if the EEPROM read has already taken place. It also has no effect if an EEPROM read is currently in progress. The only situations in which disabling EEPROM master mode read is valid are (1) when the DS110RT410 is in SMBus master mode, but the $\overline{\text{READ_EN}}$ pin has not yet gone low, and (2) when register 0x04, bit 5, has been used to reset SMBus master mode but the EEPROM read operation has not yet occurred.

Do not set this bit and bit 4 of register 0x04 simultaneously. This is an undefined condition and can cause the DS110RT410 to hang up.

7.5.6 Resetting Individual Channels of the Retimer

Register 0x00, bit 2, and register 0x0a, bits 3:2

Bit 2 of channel register 0x00 are used to reset all the registers for the corresponding channel to their factory default settings. This bit is self-clearing. Writing this bit will clear any register changes you have made in the DS110RT410 since it was powered-up.

To reset just the CDR state machine without resetting the register values, which will re-initiate the lock and adaptation sequence for a particular channel, use channel register 0x0a. Set bit 3 of this register to enable the reset override, then set bit 2 to force the CDR state machine into reset. These bits can be set in the same operation. When bit 2 is subsequently cleared, the CDR state machine will resume normal operation. If a signal is present at the input to the selected channel, the DS110RT410 will attempt to lock to it and will adapt its CTLE according to the currently configured adapt mode for the selected channel. The adapt mode is configured by channel register 0x31, bits 6:5.

7.5.7 Interrupt Status

Control/Shared Register 0x05, bits 3:0, Register 0x01, bits 4 and 0, Register 0x30, bit 4, Register 0x32, and Register 0x36, bit 6

Each channel of the DS110RT410 will generate an interrupt under several different conditions. The DS110RT410 will always generate an interrupt when it loses CDR lock or when a signal is no longer detected at its input. If the HEO/VEO interrupt is enabled by setting bit 6 of register 0x36, then the retimer will generate an interrupt when the horizontal or vertical eye opening falls below the preset values even if the retimer remains locked. When one of these interrupt conditions occurs, the retimer alerts the system controller via hardware and provides additional details via register reads over the SMBus.

First, the open-drain interrupt line $\overline{\text{INT}}$ is pulled low. This indicates that one or more of the channels of the retimer has generated an interrupt. The interrupt lines from multiple retimers can be wire-ANDed together so that if any retimer generates an interrupt the system controller can be notified using a single interrupt input.

If the interrupt has occurred because the horizontal or vertical eye opening has dropped below the pre-set threshold, which is set in channel register 0x32, then bit 4 of register 0x30 will go high. This indicates that the source of the interrupt was the HEO or VEO.

If the interrupt has occurred because the CDR has fallen out of lock, or because the signal is no longer detected at the input, then bit 4 and/or bit 0 of register 0x01 will go high, indicating the cause of the interrupt.

In either case, the control/shared register set will indicate which channel caused the interrupt. This is read from bits 3:0 of control/shared register 0x05.

When an interrupt is detected by the controller on the interrupt input, the controller should take the following steps to determine the cause of the interrupt and clear it.

1. The controller detects the interrupt by detecting that the $\overline{\text{INT}}$ line has been pulled low by one of the retimers to which it is connected.
2. The controller reads control/shared register 0x05 from all the DS110RT410 devices connected to the $\overline{\text{INT}}$ line. For at least one of these devices, at least one of the bits 3:0 will be set in this register.
3. For each device with a bit set in bits 3:0 of control/shared register 0x05, the controller determines which channel or channels produced an interrupt. Refer to [Table 13](#) for a mapping of the bits in this bit field to the channel producing the interrupt.
4. When the controller detects that one of the retimers has a 1 in one of the four LSBs of this register, the controller selects the channel register set for that channel of that retimer by writing to the channel select register, 0xff, as previously described.
5. For each channel that generated an interrupt, the controller reads channel register 0x01. If bit 4 of this register is set, then the interrupt was caused by a loss of CDR lock. If bit 0 is set, then the interrupt was caused by a loss of signal. It is possible that both bits 0 and 4 could be set. Reading this register will clear these bits.
6. Optionally, for each channel that generated an interrupt, the controller reads channel register 0x30. If bit 4 of this register is set, then the interrupt was caused by HEO and/or VEO falling out of the configured range. This interrupt will only occur if bit 6 of channel register 0x36 is set, enabling the HEO/VEO interrupt. Reading register 0x30 will clear this interrupt bit.

7. Once the controller has determined what condition caused the interrupt, the controller can then take the appropriate action. For example, the controller might reset the CDR to cause the retimer to re-adapt to the incoming signal. If there is no longer an incoming signal (indicated by a loss of signal interrupt, bit 0 of channel register 0x01), then the controller might alert an operator or change the channel configuration. This is system dependent.
8. Reading the interrupt status registers will clear the interrupt. If this does not cause the interrupt input to go high, then another device on the same input has generated an interrupt. The controller can address the next device using the previous procedure.
9. Once all the interrupt registers for all channels for all DS110RT410 devices that generated interrupts have been read, clearing all the interrupt indications, the INT line should go high again. This indicates that all the existing interrupt conditions have been serviced.

The channel registers referred to previously, registers 0x01, 0x30, 0x32, and 0x36, are described in the channel registers table, [Table 15](#).

7.5.8 Overriding the CTLE Boost Setting

Register 0x03, Register 0x13, bit 2, and Register 0x3a

To override the CTLE boost settings, register 0x03 is used. This register contains the currently-applied CTLE boost settings. The boost values can be overridden by using the two-bit fields in this register as listed in the table.

The final stage of the CTLE has an additional control bit which sets it to a limiting mode. For some channels, this additional setting improves the bit error rate performance. This bit is bit 2 of register 0x13.

If the DS110RT410 loses lock because of a change in the CTLE settings, the DS110RT410 will initiate its lock and adaptation sequence again. Thus, if you write new CTLE boost values to register 0x03 and 0x13 that cause the DS110RT410 to drop out of lock, the DS110RT410 may, in the process of reacquiring the CDR lock, reset the CTLE settings to different values than those you set in register 0x03 and 0x13. If this behavior is not understood, it can appear that the DS110RT410 did not accept the values you wrote to the CTLE boost registers. What is really happening, however, is that the lock and adaptation sequence is overriding the CTLE values you wrote to the CTLE boost registers. This will not happen unless the DS110RT410 drops out of lock.

If the adapt mode is set to 0 (bits 6:5 of channel register 0x31), then the CTLE boost values will not be overridden, but the DS110RT410 may still lose lock. If this happens, the DS110RT410 will attempt to reacquire lock. If the reference mode is set appropriately, and if the rate/subrate code is set to permit it, the DS110RT410 will begin searching for CDR lock at the highest allowable VCO divider ratio – that is, at the lowest configured bit rate. At divider values of 4 and 8, the CTLE boost settings used will come not from the values in register 0x03, and 0x13, but rather from register 0x3a, the fixed CTLE boost setting for lower data rates. This setting will be written into boost setting register 0x03 during the lock search process. This value may be different from the value you set in register 0x03, so, again, it may appear that the DS110RT410 has not accepted the CTLE boost settings you set in registers 0x03 and 0x13. The interactions of the lock and adaptation sequences with the manually-set CTLE boost settings can be difficult to understand.

To manually override the CTLE boost under all conditions, perform the following steps.

1. Set the DS110RT410 channel adapt mode to 0 by writing 0x0 to bits 6:5 of channel register 0x31.
2. Set the desired CTLE boost setting in register 0x3a. If the DS110RT410 loses lock and attempts to lock to a lower data rate, it will use this CTLE boost setting.
3. Set the desired CTLE boost setting in register 0x03.
4. Set the desired CTLE boost setting in register 0x40.
5. If desired, set the CTLE stage 3 limiting bit, bit 2 of register 0x13.

If the DS110RT410 loses lock when the CTLE boost settings are set according to the sequence described previously, the DS110RT410 will try to reacquire lock, but it will not change the CTLE boost settings in order to do so.

7.5.9 Overriding the VCO Search Values

Register 0x08, bits 4:0, Register 0x09, bit 7, Register 0x0b, bits 4:0, Register 0x36, bits 5:4 and 2:0, and Register 0x2f, bits 7:6 and 5:4

Registers 0x08 and 0x0b contain CAP DAC override values. Normally, when bits 5:4 of register 0x36 are set to 2'b11, then the DS110RT410 performs an initial search to determine the correct CAP DAC setting (coarse VCO tuning) for the selected rate and subrate. The rate and subrate settings (bits 7:6 and 5:4 of register 0x2f) determine the frequency range to be searched, with the 25 MHz reference clock used as the frequency reference for the frequency search.

The CAP DAC value can be overridden by writing new values to bits 4:0 of register 0x08 (for CAP DAC setting 1) and bits 4:0 of 0x0b (for CAP DAC setting 2). The override bit, bit 7 of register 0x09 must be set for the override CAP DAC values to take effect. Since the valid rate and subrate setting for 10 GbE and 1 GbE applies to multiple data rates, there are two CAP DAC values for this rate. The first is in register 0x08, bits 4:0, and the second is in register 0x0b, bits 4:0. The DS110RT410 will use the CAP DAC value in register 0x08 for the larger divide ratio (8) associated with the selected rate and subrate to try and acquire lock. If it fails to acquire lock, it will use the CAP DAC value in register 0x0b with the smaller divide ratio (higher VCO frequency) associated with the selected rate and subrate (1). It will continue to try to acquire lock in this way until it either succeeds or the override bit (bit 7 of register 0x09) is cleared.

7.5.10 Overriding the Output Multiplexer

Register 0x09, bit 5, Register 0x14, bits 7:6, and Register 0x1e, bits 7:5

By default, the DS110RT410 output for each channel will be as listed in [Table 5](#).

Table 5. Default Output Status Description

| INPUT SIGNAL STATUS | CHANNEL STATUS | OUTPUT STATUS |
|---------------------|--------------------|---------------|
| Not Present | No Signal Detected | Muted |
| Present | Not Locked | Muted |
| Present | Locked | Retimed Data |

This default behavior can be modified by register writes.

Register 0x1e, bits 7:5, contain the output multiplexer override value. The values of this three-bit field and the corresponding meanings of each are listed in [Table 6](#).

Table 6. Output Multiplexer Override Settings

| BIT FIELD VALUE | OUTPUT MULTIPLEXER SETTING | COMMENTS |
|-----------------|----------------------------|--|
| 0x7 | Mute | Default when no signal is present or when the retimer is unlocked |
| 0x6 | N/A | Invalid Setting |
| 0x5 | 10 MHz Clock | Internal 10 MHz clock Clock frequency may not be precise, There is no production test coverage for this and is only use for testing. |
| 0x4 | PRBS Generator | PRBS Generator must be enabled to output PRBS sequence |
| 0x3 | VCO Q-Clock | Register 0x09, bit 4, and register 0x1e, bit 0, must be set to enable the VCO Q-Clock. There is no production test coverage for this and is only use for testing. |
| 0x2 | VCO I-Clock | There is no production test coverage for this and is only use for testing. |
| 0x1 | Retimed Data | Default when the retimer is locked |
| 0x0 | Raw Data | Bypass the CDR, output is not retimed and must set bit 5 of register 0x09 and bit 7 of 0x3F. |

If the output multiplexer is not overridden, that is, if bit 5 of register 0x09 is not set, then the value in register 0x1e, bits 7:5, controls the output produced when the retimer has a signal at its input, but is not locked to it. The default value for this bit field, 0x7, causes the retimer output to mute when the retimer is not locked to an input signal. Writing a value of 0x0 to this bit field, for example, will cause the retimer to output raw data (not retimed) when it is not locked to its input signal.

Set the override bit to 1, bit 5 of register 0x09, will cause the retimer to output the value selected by the bit field in register 0x1e, bits 7:5. In the raw data mode (CDR is bypassed), the register 0x3F, bit 7 should be set to 1, this will disable the fast cap re-search which stops the output from powering down (muting) during raw mode.

When no signal is present at the input to the selected channel of the DS110RT410 the signal detect circuitry will power down the channel. This includes the output driver which is therefore muted when no signal is present at the input. If you want to get an output when no signal is present at the input, for example to enable a free-running PRBS sequence, the first step is to override the signal detect. In order to force the signal detect on, set bit 7 and clear bit 6 of channel register 0x14. Even if there is no signal at the input to the channel, the channel will be enabled. If the channel was disabled before, the current drain from the supply will increase by 100–150 mA depending upon the other channel settings in the device. This increased current drain indicates that the channel is now enabled.

The second step is to override the output multiplexer setting. This is accomplished by setting bit 5 of register 0x09, the output multiplexer override. Once this bit is set, the value of register 0x1e, bits 7:5 will control the output of the channel. Note that if either retimed or raw data is selected, the output will just be noise. The device output may saturate to a static 1 or 0.

If there is no signal, the VCO clock will be free-running. Its frequency will depend upon the divider and CAP DAC settings and it will vary from part to part and over temperature.

If the PRBS generator is enabled, the PRBS generator output can be selected. This can either be at a data rate determined by the free-running VCO or at a data rate determined by the input signal, if one is present. If a signal is present at the input and the DS110RT410 can lock to it, the output of the PRBS generator will be synchronous with the input signal, but the bit stream output will be determined by the PRBS generator selection.

The 10 MHz clock is always available at the output when the output multiplexer is overridden. The 10 MHz clock is a free-running oscillator in the DS110RT410 and is not synchronous to the input or to anything else in the system. The clock frequency will be approximately 10 MHz, but this will vary from part to part.

If there is a signal present at the input, it is not necessary to override the signal detect. Clearing bits 7 and 6 of register 0x14 will return control of the signal detect to the DS110RT410. Normally, when the retimer is locked to a signal at its input, it will output retimed data. However, if desired, the output multiplexer can be overridden in this condition to output raw data. It can also be set to output any of the other signals listed in [Table 6](#). If there is an input signal, and if the DS110RT410 is locked to it, the VCO I-Clock, the VCO Q-Clock, and the output of the PRBS generator, if it is enabled, will be synchronous to the input signal.

When a signal is present at the input, it might be desired to output the raw data in order to see the effects of the CTLE without the CDR. It might also be desired to enable the PRBS generator and output this signal, replacing the data content of the input signal with the internally-generated PRBS sequence.

7.5.11 Overriding the VCO Divider Selection

Register 0x09, bit 2, and Register 0x18, bits 6:4

In normal operation, the DS110RT410 sets its VCO divider to the correct divide ratio, either 1, 2, 4, 8, or 16, depending upon the bit rate of the signal at the channel input. It is possible to override the divider selection. This might be desired if the VCO is set to free-run, for example, to output a signal at a sub-harmonic of the actual VCO frequency.

In order to override the VCO divider settings, first set bit 2 of register 0x09. This is the VCO divider override enable. Once this bit is set, the VCO divider setting is controlled by the value in register 0x18, bits 6:4. The valid values for this three-bit field are 0x0 to 0x4. The mapping of the bit field values to the divider ratio is listed in [Table 7](#).

Table 7. Divider Ratio Mapping to Register 0x18, Bits 6:4

| BIT FIELD VALUE | DIVIDER RATIO |
|-----------------|---------------|
| 0 | 1 |
| 1 | 2 |
| 2 | 4 |
| 3 | 8 |
| 4 | 16 |

In normal operation, the DS110RT410 will determine the required VCO divider ratio automatically. The most common application for overriding the divider ratio is when the VCO is set to free-run. Normally the divider ratio should not be overridden except in this case.

7.5.12 Using the PRBS Generator

Register 0x0d, bit 5, Register 0x1e, bit 4, and Register 0x30, bit 3 and bits 1:0

The DS110RT410 includes an internal PRBS generator which can generate standard PRBS-9 and PRBS-31 bit sequences. The PRBS generator can produce a PRBS sequence that is synchronous to the incoming data signal, or it can generate a PRBS sequence using the internal free-running VCO as a clock. Both modes of operation are described in the paragraphs that follow.

To produce a PRBS sequence that is synchronized to the incoming data signal, the DS110RT410 must be locked to the incoming signal. When this is true, the signal detect is set and the channel is active. In addition, the VCO is locked to the incoming signal. The VCO will remain locked to the incoming signal regardless of the state of the output multiplexer.

To activate the PRBS generator, first set bit 4 of register 0x1e. This bit enables the PRBS generator digital circuitry. Then reset the PRBS clock by clearing bit 3 of register 0x30. Select either PRBS-9 or PRBS-31 by setting bits 1:0 of register 0x30. Set this bit field to 0x0 for PRBS-9 and to 0x2 for PRBS-31. Then load the PRBS clock by setting bit 3 of register 0x30. Finally, enable the PRBS clock by setting bit 5 of register 0x0d. This sequence of register writes will enable the internal PRBS generator.

As described previously, to select the PRBS generator as the output for the selected channel, set bit 5 of register 0x09, the output multiplexer override. Then write 0x4 to bits 7:5 of register 0x1e. This selects the PRBS generator for output.

For the case described previously, the output PRBS sequence will be synchronous to the incoming data. There are two other cases of interest. The first is when there is an input signal but the PRBS sequence should not be synchronous to it. In other words, in this case it is desired that the VCO should free-run. The second case is when there is no input signal, but the PRBS sequence should still be output. Again, in this case, the VCO is free-running.

The register settings for these two cases are almost the same. The only difference is that, if there is no input signal, then the channel will be disabled and powered-down by default. In order to force enable the channel, write a 1 to bit 7 and a 0 to bit 6 of register 0x14. This forces the signal detect to be active and enables the selected channel.

The remainder of the register write sequence is designed to disable the phase-locked loop so that the VCO can free run.

First write a 1 to bit 3 of register 0x09, then 0x0 to bits 1:0 of register 0x1b. This disables the charge pump for the phase-locked loop.

Next write a 1 to bit 2 of register 0x09. This enables the VCO divider override. Then set the VCO divider ratio by writing to register 0x18 as listed in [Table 7](#). For an output frequency of approximately 10.3125 GHz, set the divider ratio to 1 by writing 0x0 to bits 6:4 of register 0x18. Do not clear bit 3 when you write a 1 to bit 2 of register 0x09.

Now write a 1 to bit 7 of register 0x09. This enables the VCO CAP DAC override. Write the desired VCO cap count to register 0x08, bits 4:0. The mapping of VCO frequencies to cap count will vary somewhat from part to part. The VCO cap count should be set to 0x08 to yield an output VCO frequency of approximately 10.3125 GHz. Do not clear bits 3 and 2 when you write a 1 to bit 7 of register 0x09.

Now write a 1 to bit 6 of register 0x09. This enables the VCO LPF DAC which can generate a VCO control voltage internally to the DS110RT410. Once the LPF DAC is enabled, write the desired value of the LPF DAC output in register 0x1f, bits 4:0. For an output VCO frequency of approximately 10.3125 GHz, set the LPF DAC setting to 0x12. Do not clear the remaining bits of register 0x09 when you write a 1 to bit 6.

Now, as previously, enable the PRBS generator and set it to the desired bit sequence, then select the output to be the PRBS generator by setting the output multiplexer. Notice that when this entire sequence has been completed, bits 7:2 of register 0x09 will all be set. The default value of register 0x09 is 0x00, so you can clear all the overrides when you are ready to return to normal operation by writing 0x00 to register 0x09.

The VCO frequency in free-run will vary somewhat from part to part. In order to determine exact values of the CAP DAC and LPF DAC settings, it will be necessary to directly measure the VCO frequency using some sort of frequency-measurement device such as a frequency counter or a spectrum analyzer. When the VCO is set to free-run mode as previously, you can select the VCO I-clock (in-phase clock) to be the output as listed in [Table 6](#). You can measure the frequency of the VCO I-clock while adjusting the CAP DAC and LPF DAC values until the VCO I-clock frequency is acceptable for your application. Then you can once again select the PRBS generator as the output using the output multiplexer selection field.

7.5.13 Using the Internal Eye Opening Monitor

Register 0x11, bits 7:6 and bit 5, Register 0x22, bit 7, Register 0x24, bit 7 and bit 0, Register 0x25, Register 0x26, Register 0x27, Register 0x28, Register 0x2a and Register 0x3e, bit 7

The DS110RT410 includes an internal eye opening monitor. The eye opening monitor is used by the retimer to compute a figure of merit for automatic adaptation of the CTLE. It can also be controlled and queried through the SMBus by a system controller.

The eye opening monitor produces error hit counts for settable phase and voltage offsets of the comparator in the retimer. This is similar to the way many Bit Error Rate Test Sets measure eye opening. At each phase and amplitude offset setting, the eye opening monitor determines the nominal bit value (“0” or “1”) using its primary comparator. This is the bit value that is resynchronized to the recovered clock and presented at the output of the DS110RT410. The eye opening monitor also determines the bit value detected by the offset comparator. This information yields an eye contour. Here's how this works.

If the offset comparator is offset in voltage by an amount larger than the vertical eye opening, for example, then the offset comparator will always decide that the current bit has a bit value of “0”. When the bit is really a “1”, as determined by the primary comparator, this is considered a bit error. The number of bit errors is counted for a settable interval at each setting of the offset phase and voltage of the offset comparator. These error counts can be read from registers 0x25 and 0x26 for sequential phase and voltage offsets. These error counts for all phase and voltage offsets form a 64 X 64 point array. A surface or contour plot of the error hit count versus phase and voltage offset produces an eye diagram, which can be plotted by external software.

The eye opening monitor works in two modes. In the first, only the horizontal and vertical eye openings are measured. The eye opening monitor first sweeps its variable-phase clock through one unit interval with the comparison voltage set to the mid point of the signal. This determines the midpoint of the horizontal eye opening. The eye opening monitor then sets its variable phase clock to the midpoint of the horizontal eye opening and sweeps its comparison voltage. These two measurements determine the horizontal and vertical eye openings. The horizontal eye opening value is read from register 0x27 and the vertical eye opening from register 0x28. Both values are single byte values.

The measurement of horizontal and vertical eye opening is very fast. The speed of this measurement makes it useful for determining the adaptation figure of merit. In normal operation, the HEO and VEO are automatically measured periodically to determine whether the DS110RT410 is still in lock. Reading registers 0x27 and 0x28 will yield the most-recently measured HEO and VEO values.

In normal operation, the eye monitor circuitry is powered down most of the time to save power. When the eye is to be measured under external control, it must first be enabled by writing a 0 to bit 5 of register 0x11. The default value of this bit is 1, which powers down the eye monitor except when it is powered-up periodically by the CDR state machine and used to test CDR lock. The eye monitor must be powered up to measure the eye under external SMBus control.

Bits 7:6 of register 0x11 are also used during eye monitor operation to set the EOM voltage range. This is described in the following text. A single write to register 0x11 can set both bit 5 and bits 7:6 in one operation.

Register 0x3e, bit 7, enables horizontal and vertical eye opening measurements as part of the lock validation sequence. When this bit is set, the CDR state machine periodically uses the eye monitor circuitry to measure the horizontal and vertical eye opening. If the eye openings are too small, according to the pre-determined thresholds in register 0x6a, then the CDR state machine declares lock loss and begins the lock acquisition process again. For SMBus acquisition of the internal eye, this lock monitoring function must be disabled. Prior to overriding the EOM by writing a 1 to bit 0 of register 0x24, disable the lock monitoring function by writing a 0 to bit 7 of register 0x3e. Once the eye has been acquired, you can reinstate HEO and VEO lock monitoring by once again writing a 1 to bit 7 of register 0x3e.

Under external SMBus control, the eye opening monitor can be programmed to sweep through all its 64 states of phase and voltage offset autonomously. This mode is initiated by setting register 0x24, bit 7, the fast_eom mode bit. Register 0x22, bit 7, the eom_ov bit, should be cleared in this mode.

When the fast_eom bit is set, the eye opening monitor operation is initiated by setting bit 0 of register 0x24, which is self-clearing. As soon as this bit is set, the eye opening monitor begins to acquire eye data. The results of the eye opening monitor error counter are stored in register 0x25 and 0x26. In this mode the eye opening monitor results can be obtained by repeated multi-byte reads from register 0x25. It is not necessary to read from register 0x26 for a multi-byte read. As soon as the eight most significant bits are read from register 0x25, the eight least significant bits for the current setting are loaded into register 0x26 and they can be read immediately. As soon as the read of the eight most significant bits has been initiated, the DS110RT410 sets its phase and voltage offsets to the next setting and starts its error counter again. The result of this is that the data from the eye opening monitor is available as quickly as it can be read over the SMBus with no further register writes required. The external controller just reads the data from the DS110RT410 over the SMBus as fast as it can. When all the data has been read, the DS110RT410 clears the eom_start bit.

If multi-byte reads are not used, meaning that the device is addressed each time a byte is read from it, then it is necessary to read register 0x25 to get the MSB (the eight most significant bits) and register 0x26 to get the LSB (the eight least significant bits) of the current eye monitor measurement. Again, as soon as the read of the MSB has been initiated, the DS110RT410 sets its phase and voltage offsets to the next setting and starts its error counter again. In this mode both registers 0x25 and 0x26 must be read in order to get the eye monitor data. The eye monitor data for the next set of phase and voltage offsets will not be loaded into registers 0x25 and 0x26 until both registers have been read for the current set of phase and voltage offsets.

In all eye opening monitor modes, the amount of time during which the eye opening monitor accumulates eye opening data can be set by the value of register 0x2a. In general, the greater this value the longer the accumulation time. When this value is set to its maximum possible value of 0xff, the maximum number of samples acquired at each phase and amplitude offset is approximately 2^{18} . Even with this setting, the eye opening monitor values can be read from the SMBus with no delay. The eye opening monitor operation is sufficiently fast that the SMBus read operation cannot outrun it.

The eye opening is measured at the input to the data comparator. At this point in the data path, a significant amount of gain has been applied to the signal by the CTLE. In many cases, the vertical eye opening as measured by the EOM will be on the order of 400 to 500 mV peak-to-peak. The secondary comparator, which is used to measure the eye opening, has an adjustable voltage range from ± 100 mV to ± 400 mV. The EOM voltage range is normally set by the CDR state machine during lock and adaptation, but the range can be overridden by writing a two-bit code to bits 7:6 of register 0x11. The values of this code and the corresponding EOM voltage ranges are listed in [Table 8](#).

Table 8. EOM Voltage Range vs Bits 7:6 of Register 0x11

| VALUE in Bits 7:6 of REGISTER 0x11 | EOM VOLTAGE RANGE (\pm mV) |
|------------------------------------|-------------------------------|
| 0x0 | ± 100 |
| 0x1 | ± 200 |
| 0x2 | ± 300 |
| 0x3 | ± 400 |

Note that the voltage ranges listed in [Table 8](#) are the voltage ranges of the signal at the input to the data path comparator. These values are not directly equivalent to any observable voltage measurements at the input to the DS110RT410. Note also that if the EOM voltage range is set too small the voltage sweep of the secondary comparator may not be sufficient to capture the vertical eye opening. When this happens the eye boundaries will be outside the vertical voltage range of the eye measurement.

To summarize, the following procedure is for reading the eye monitor data from the DS110RT410.

1. Select the DS110RT410 channel to be used for the eye monitor measurement by writing the channel select register, register 0xff, with the appropriate value as listed in [Table 14](#). If the correct channel register set is already selected, this step may be skipped.
2. Disable the HEO and VEO lock monitoring function by writing a 0 to bit 7 of register 0x3e.
3. Select the eye monitor voltage range by setting bits 7:6 of register 0x11 according to the values in [Table 8](#). The CDR state machine will have set this range during lock acquisition, but it may be necessary to change it to capture the entire vertical eye extent.
4. Power up the eye monitor circuitry by clearing bit 5 of register 0x11. Normally the eye monitor circuitry is powered up periodically by the CDR state machine. Clearing bit 5 of register 0x11 enables the eye monitor circuitry unconditionally. This bit should be set again once the eye acquisition is complete. Clearing bit 5 and setting bits 7:6 of register 0x11 as desired can be combined into a single register write if desired.
5. Clear bit 7 of register 0x22. This is the eye monitor override bit. It is cleared by default, so you may not need to change it.
6. Set bit 7 of register 0x24. This is the fast eye monitor enable bit.
7. Set bit 1 of register 0x24. This initiates the automatic fast eye monitor measurement. This bit can be set at the same time a bit 7 of register 0x24 if desired.
8. Read the data array from the DS110RT410. This can be accomplished in two ways.
 - If you are using multi-byte reads, address the DS110RT410 to read from register 0x25. Continue to read from this register **without addressing the device again** until you have read all the data desired. The read operation can be interrupted by addressing the device again and then resumed by reading once again from register 0x25.
 - If you are not using multi-byte reads, then read the MSB for each phase and amplitude offset setting from register 0x25 and the LSB for each setting from register 0x26. In this mode, you address the device each time you want to read a new byte.
9. In either mode, the first four bytes do not contain valid data. These should be discarded.
10. Continue reading eye monitor data until you have read the entire 64 X 64 array.
11. Clear bit 7 of register 0x24. This disables fast eye monitor mode.
12. Set bit 5 of register 0x11. This will return control of the eye monitor circuitry to the CDR state machine.
13. Set bit 7 of register 0x3e. This re-enables the HEO and VEO lock monitoring.

7.5.14 Enabling Slow Rise/Fall Time on the Output Driver

Register 0x18, bit 2

Normally the rise and fall times of the output driver of the DS110RT410 are set by the slew rate of the output transistors. By default, the output transistors are biased to provide the maximum possible slew rate, and hence the minimum possible rise and fall times. In some applications, slower rise and fall times may be desired. For example, slower rise and fall times may reduce the amplitude of electromagnetic interference (EMI) produced by a system.

Setting bit 2 of register 0x18 will adjust the output driver circuitry to increase the rise and fall times of the signal. Setting this bit will approximately double the nominal rise and fall times of the DS110RT410 output driver. This bit is cleared by default.

7.5.15 Inverting the Output Polarity

Register 0x1f, bit 7

In some systems, the polarity of the data does not matter. In systems where it does matter, it is sometimes necessary, for the purposes of trace routing, for example, to invert the normal polarities of the data signals.

The DS110RT410 can invert the polarity of the data signals by means of a register write. Writing a 1 to bit 7 of register 0x1f inverts the polarity of the output signal for the selected channel. This can provide additional flexibility in system design and board layout.

7.5.16 Overriding the Figure of Merit for Adaptation

Register 0x2c, bits 5:4, Register 0x31, bits 6:5, Register 0x6b, Register 0x6c, Register 0x6d, and Register 0x6e, bits 7 and 6

The default figure of merit for the CTLE adaptation in the DS110RT410 is simple. The horizontal and vertical eye openings are measured for each CTLE boost setting. The vertical eye opening is scaled to a constant reference vertical eye opening and the smaller of the horizontal or vertical eye opening is taken as the figure of merit for that set of equalizer settings. The objective is to adapt the equalizer to a point where the horizontal and vertical eye openings are both as large as possible. This usually provides optimum bit error rate performance for most transmission channels.

In some systems the adaptation can reach a better setting if only the horizontal or vertical eye opening is used to compute the figure of merit rather than using both. This will be system-dependent and the user must determine through experiment whether this provides better adaptation in the user's system.

The CTLE figure of merit type is selected using the two-bit field in register 0x31, bits 4:3.

For some transmission media the adaptation can reach a better setting if a different figure of merit is used. The DS110RT410 includes the capability of adapting based on a configurable figure of merit. The configurable figure of merit is structured as listed in Equation 1.

$$\text{FOM} = (\text{HEO} - b) \times a + (\text{VEO} - c) \times (1 - a) \quad (1)$$

In this equation, HEO is horizontal eye opening, VEO is vertical eye opening, FOM is the figure of merit, and the factors a, b, and c are set using registers 0x6b, 0x6c, and 0x6d respectively.

In order to use the configurable figure of merit, the enable bits must be set. To use the configurable figure of merit for the CTLE adaptation, set bit 7 of register 0x6e, the en_new_fom_ctle bit.

7.5.17 Setting the Rate and Subrate for Lock Acquisition

Register 0x2f, bits 7:6 and 5:4

The rate and subrate settings, which constrain the data rate search in order to reduce lock time, can be set using channel register 0x2f. Bits 7:6 are RATE<1:0>, and bits 5:4 are SUBRATE<1:0>. These four bits form a hex digit which matches the codes in Table 2.

7.5.18 Setting the Adaptation/Lock Mode

Register 0x31, bits 6:5, and Register 0x33, bits 7:4 and 3:0, Register 0x34, bits 3:0, Register 0x35, bits 4:0, Register 0x3e, bit 7, and Register 0x6a

There are two adaptation modes available in the DS110RT410.

- Mode 0: The user is responsible for setting the CTLE. This mode is used if the transmission channel response is fixed.
- Mode 1: The CTLE is adapted to equalize the transmission channel. This mode is primarily used for smoothly-varying high-loss transmission channels such as cables and simple PCB traces.

Bits 6:5 of register 0x31 determine the adaptation mode to be used. The mapping of these register bits to the adaptation algorithm is listed in Table 9.

Table 9. DS110RT410 Adaptation Algorithm Settings

| REGISTER 0x31, Bit 6 adapt_mode[1] | REGISTER 0x31, Bit 5 adapt_mode[0] | ADAPT MODE SETTING <1:0> | ADAPTATION ALGORITHM |
|--|--|--------------------------|------------------------------------|
| 0 | 0 | 00 | No Adaptation |
| 0 | 1 | 01 | Adapt CTLE Until Optimum (Default) |

By default the DS110RT410 requires that the equalized internal eye exhibit horizontal and vertical eye openings greater than a pre-set minimum in order to declare a successful lock. The minimum values are set in register 0x6a.

The DS110RT410 continuously monitors the horizontal and vertical eye openings while it is in lock. If the eye opening falls below the threshold set in register 0x6a, the DS110RT410 will declare a loss of lock.

The continuous monitoring of the horizontal and vertical eye openings may be disabled by clearing bit 7 of register 0x3e.

7.5.19 Initiating Adaptation

Register 0x24, bit 2, and Register 0x2f, bit 0

When the DS110RT410 becomes unlocked, it will automatically try to acquire lock. If an adaptation mode is selected using bits 6:5 in register 0x31, the DS110RT410 will also try to adapt its CTLE.

Adaptation can also be initiated by the user. CTLE adaptation can be initiated by setting and then clearing register 0x2f, bit 0.

7.5.20 Setting the Reference Enable Mode

Register 0x36, bits 5:4

The reference clock mode is set by a two-bit field, register 0x36, bits 5:4. This field should always be set to a value of 3 or 2'b11.

A 25-MHz reference clock signal must be provided on the reference in pin (pin 19). The use of the reference clock in the DS110RT410 is explained in the following.

First, the reference clock allows the DS110RT410 to calibrate its VCO frequency at power-up and upon reset. This enables the DS110RT410 to determine the optimum coarse VCO tuning setting a-priori, which makes phase lock much faster. The DS110RT410 is not required to tune through the available coarse VCO tuning settings as it tries to acquire lock to an input signal. It can select the correct setting immediately.

Second, if the DS110RT410 loses lock for some reason and the VCO drifts from its phase-locked frequency, the DS110RT410 can detect this very quickly using the reference clock. Detecting an out-of-lock condition quickly allows the DS110RT410 to raise an interrupt indicating that it has lost lock quickly, which the system controller can then service to correct the problem quickly.

Finally, some data signals with large jitter spurs in their frequency spectra can cause the DS110RT410 to false lock. This occurs when the data pattern exhibits strong discrete frequency components in its frequency spectrum, or when the data pattern has a lot of periodic jitter imposed on it. If you look at such a signal in the frequency domain using a spectrum analyzer, it will clearly show “spurs” close in to the fundamental data rate frequency. These spurs can cause the DS110RT410 to false lock.

Using the 25-MHz reference clock, the DS110RT410 can detect when it is locked to a jitter spur. When this happens, the DS110RT410 will re-initiate the adaptation and lock sequence until it locks to the correct data rate. This provides immunity to false lock conditions.

7.5.21 Overriding the CTLE Settings Used for CTLE Adaptation

Register 0x2c, bits 3:0, Register 0x2f, bit 3, Register 0x39, bits 4:0, and Registers 0x50-0x5f

The CTLE adaptation algorithm operates by setting the CTLE boost stage controls to a set of pre-determined boost settings, each of which provides progressively more high-frequency boost. At each stage in the adaptation process, the DS110RT410 attempts to phase lock to the equalized signal. If the phase lock succeeds, the DS110RT410 measures the horizontal and vertical eye openings using the internal eye monitor circuit. The DS110RT410 computes a figure of merit for the eye opening and compares it to the previous best value of the figure of merit. While the figure of merit continues to improve, the DS110RT410 continues to try additional values of the CTLE boost setting until the figure of merit ceases to improve and begins to degrade. When the figure of merit starts to degrade, the DS110RT410 still continues to try additional CTLE settings for a pre-determined trial count called the “look-beyond” count, and if no improvement in the figure of merit results, it resets the CTLE boost values to those that produced the best figure of merit. The resulting CTLE boost values are then stored in register 0x03. The “look-beyond” count is configured by the value in register 0x2c, bits 3:0. The value is 0x2 by default.

The set of boost values used as candidate values during CTLE adaptation are stored as bit fields in registers 0x40-0x5f. The default values for these settings are listed in [Table 10](#). These values may be overridden by setting the corresponding register values over the SMBus. If these values are overridden, then the next time the CTLE adaptation is performed the set of CTLE boost values stored in these registers will be used for the adaptation. Resetting the channel registers by setting bit 2 of channel register 0x00 will reset the CTLE boost settings to their defaults. So will power-cycling the DS110RT410.

Table 10. CTLE Settings for Adaptation

| REGISTER (Hex) | BITS 7:6 (CTLE Stage 0) | BITS 5:4 (CTLE Stage 1) | BITS 3:2 (CTLE Stage 2) | BITS 1:0 (CTLE Stage 3) | CTLE BOOST STRING | CTLE ADAPTATION INDEX |
|----------------|-------------------------|-------------------------|-------------------------|-------------------------|-------------------|-----------------------|
| 40 | 0 | 0 | 0 | 0 | 0000 | 0 |
| 41 | 0 | 0 | 0 | 1 | 0001 | 1 |
| 42 | 0 | 0 | 1 | 0 | 0010 | 2 |
| 43 | 0 | 1 | 0 | 0 | 0100 | 3 |
| 44 | 1 | 0 | 0 | 0 | 1000 | 4 |
| 45 | 0 | 0 | 2 | 0 | 0020 | 5 |
| 46 | 0 | 0 | 0 | 2 | 0002 | 6 |
| 47 | 2 | 0 | 0 | 0 | 2000 | 7 |
| 48 | 0 | 0 | 0 | 3 | 0003 | 8 |
| 49 | 0 | 0 | 3 | 0 | 0030 | 9 |
| 4A | 0 | 3 | 0 | 0 | 0300 | 10 |
| 4B | 1 | 0 | 0 | 1 | 1001 | 11 |
| 4C | 1 | 1 | 0 | 0 | 1100 | 12 |
| 4D | 3 | 0 | 0 | 0 | 3000 | 13 |
| 4E | 1 | 2 | 0 | 0 | 1200 | 14 |
| 4F | 2 | 1 | 0 | 0 | 2100 | 15 |
| 50 | 2 | 0 | 2 | 0 | 2020 | 16 |
| 51 | 2 | 0 | 0 | 2 | 2002 | 17 |
| 52 | 2 | 2 | 0 | 0 | 2200 | 18 |
| 53 | 1 | 0 | 1 | 2 | 1012 | 19 |
| 54 | 1 | 1 | 0 | 2 | 1102 | 20 |
| 55 | 2 | 0 | 3 | 0 | 2030 | 21 |
| 56 | 2 | 3 | 0 | 0 | 2300 | 22 |
| 57 | 3 | 0 | 2 | 0 | 3020 | 23 |
| 58 | 1 | 1 | 1 | 3 | 1113 | 24 |
| 59 | 1 | 1 | 3 | 1 | 1131 | 25 |
| 5A | 1 | 2 | 2 | 1 | 1221 | 26 |

Table 10. CTLE Settings for Adaptation (continued)

| REGISTER (Hex) | BITS 7:6 (CTLE Stage 0) | BITS 5:4 (CTLE Stage 1) | BITS 3:2 (CTLE Stage 2) | BITS 1:0 (CTLE Stage 3) | CTLE BOOST STRING | CTLE ADAPTATION INDEX |
|----------------|-------------------------|-------------------------|-------------------------|-------------------------|-------------------|-----------------------|
| 5B | 1 | 3 | 1 | 1 | 1311 | 27 |
| 5C | 3 | 1 | 1 | 1 | 3111 | 28 |
| 5D | 2 | 1 | 2 | 1 | 2121 | 29 |
| 5E | 2 | 1 | 1 | 2 | 2112 | 30 |
| 5F | 2 | 2 | 1 | 1 | 2211 | 31 |

As an alternative to, or in conjunction with, writing the CTLE boost setting registers 0x40 through 0x5f, it is possible to set the starting CTLE boost setting index. To override the default setting, which is 0, set bit 3 of register 0x2f. When this bit is set, the starting index for adaptation comes from register 0x39, bits 4:0. This is the index into the CTLE settings table in registers 0x40 through 0x5f. When this starting index is 0, which is the default, CTLE adaptation starts at the first setting in the table, the one in register 0x40, and continues until the optimum FOM is reached.

7.5.22 Setting the Output Differential Voltage

Register 0x2d, bits 2:0

There are eight levels of output differential voltage available in the DS110RT410, from 0.6 V to 1.3 V in 0.1 V increments. The values `drv_sel_vod[2:0]` in bits 2:0 of register 0x2d set the output VOD. The available VOD settings and the corresponding values of this bit field are listed in [Table 11](#).

Table 11. VOD Settings

| BIT 2, <code>drv_sel_vod[2]</code> | BIT 1, <code>drv_sel_vod[1]</code> | Bit 0, <code>drv_sel_vod[0]</code> | SELECTED VOD (V, PEAK-TO-PEAK, DIFFERENTIAL) |
|------------------------------------|------------------------------------|------------------------------------|--|
| 0 | 0 | 0 | 0.6 |
| 0 | 0 | 1 | 0.7 |
| 0 | 1 | 0 | 0.8 |
| 0 | 1 | 1 | 0.9 |
| 1 | 0 | 0 | 1.0 |
| 1 | 0 | 1 | 1.1 |
| 1 | 1 | 0 | 1.2 |
| 1 | 1 | 1 | 1.3 |

7.5.23 Setting the Output De-Emphasis Setting

Register 0x15, bits 2:0 and bit 6

Fifteen output de-emphasis settings are available in the DS110RT410, ranging from 0 dB to -12 dB. The de-emphasis values come from register 0x15, bits 2:0, which make up the bit field `dvr_dem<2:0>`, and register 0x15, bit 6, which is the third de-emphasis setting bit.

The available driver de-emphasis settings and the mapping to these bits are listed in [Table 12](#).

Table 12. Driver De-Emphasis Settings

| REGISTER 0x15, Bit 2, <code>dvr_dem[2]</code> | REGISTER 0x15, Bit 1, <code>dvr_dem[1]</code> | REGISTER 15, Bit 0, <code>dvr_dem[0]</code> | REGISTER 0x15, Bit 6, <code>dvr_dem_range</code> | DE-EMPHASIS SETTING (dB) |
|---|---|---|--|--------------------------|
| 0 | 0 | 0 | X | 0.0 |
| 0 | 0 | 1 | 1 | -0.9 |
| 0 | 0 | 1 | 0 | -1.5 |
| 0 | 1 | 0 | 1 | -2.0 |
| 0 | 1 | 0 | 0 | -2.8 |
| 0 | 1 | 1 | 1 | -3.3 |
| 0 | 1 | 1 | 0 | -3.5 |

Table 12. Driver De-Emphasis Settings (continued)

| REGISTER 0x15, Bit 2, dvr_dem[2] | REGISTER 0x15, Bit 1, drv_dem[1] | REGISTER 15, Bit 0, drv_dem[0] | REGISTER 0x15, Bit 6, drv_dem_range | DE-EMPHASIS SETTING (dB) |
|-------------------------------------|-------------------------------------|-----------------------------------|--|-----------------------------|
| 1 | 0 | 0 | 1 | -3.9 |
| 1 | 0 | 0 | 0 | -4.5 |
| 1 | 0 | 1 | 1 | -5.0 |
| 1 | 0 | 1 | 0 | -5.6 |
| 1 | 1 | 0 | 1 | -6.0 |
| 1 | 1 | 0 | 0 | -7.5 |
| 1 | 1 | 1 | 1 | -9.0 |
| 1 | 1 | 1 | 0 | -12.0 |

7.6 Register Maps

7.6.1 Register Information

There are two types of device registers in the DS110RT410. These are the control/shared registers and the channel registers. The control/shared registers control or allow observation of settings which affect the operation of all channels of the DS110RT410. They are also used to select which channel of the device is to be the target channel for reads from and writes to the channel registers.

The channel registers are used to set all the configuration settings of the DS110RT410. They provide independent control for each channel of the DS110RT410 for all the settable device characteristics.

Any registers not described in the tables that follow should be treated as reserved. The user should not try to write new values to these registers. The user-accessible registers described in the tables that follow provide a complete capability for customizing the operation of the DS110RT410 on a channel-by-channel basis.

7.6.2 Bit Fields in the Register Set

Many of the registers in the DS110RT410 are divided into bit fields. This allows a single register to serve multiple purposes, which may be unrelated.

Often configuring the DS110RT410 requires writing a bit field that makes up only part of a register value while leaving the remainder of the register value unchanged. The procedure for accomplishing this is to read in the current value of the register to be written, modify only the desired bits in this value, and write the modified value back to the register. Of course, if the entire register is to be changed, rather than just a bit field within the register, it is not necessary to read in the current value of the register first.

In all the register configuration procedures described in the following sections, this procedure should be kept in mind. In some cases, the entire register is to be modified. When only a part of the register is to be changed, however, the procedure described previously should be used.

7.6.3 Writing to and Reading from the Control/Shared Registers

Any write operation targeting register 0xff writes to the control/shared register 0xff. This is the only register in the DS110RT410 with an address of 0xff.

Bit 2 of register 0xff is used to select either the control/shared register set or a channel register set. If bit 2 of register 0xff is cleared (written with a 0), then all subsequent read and write operations over the SMBus are directed to the control/shared register set. This situation persists until bit 2 of register 0xff is set (written with a 1).

There is a register with address 0x00 in the control/shared register set, and there is also a register with address 0x00 in each channel register set. If you read the value in register 0x00 when bit 2 of register 0xff is cleared to 0, then the value returned by the DS110RT410 is the value in register 0x00 of the control/shared register set. If you read the value in register 0x00 when bit 2 of register 0xff is set to 1, then the value returned by the DS110RT410 is the value in register 0x00 of the selected channel register set. The channel register set is selected by bits 1:0 of register 0xff.

Register Maps (continued)

If bit 3 of register 0xff is set to 1 and bit 2 of register 0xff is also set to 1, then any write operation to any register address will write all the channel register sets in the DS110RT410 simultaneously. This situation will persist until either bit 3 of register 0xff or bit 2 of register 0xff is cleared. Note that when you write to register 0xff, independent of the current settings in register 0xff, the write operation **ALWAYS** targets the control/shared register 0xff. This channel select register, register 0xff, is unique in this regard.

[Table 13](#) lists the control/shared register set. Any register addresses or register bits in the control/shared register set not listed in this table should be considered reserved. In this table, the mode is either R for Read-Only, R/W for Read-Write, or R/W/SC for Read-Write-Self-Clearing. If you try to write to a Read-Only register, the DS110RT410 will ignore it.

Table 13. Control/Shared Registers

| ADDRESS (Hex) | BITS | DEFAULT VALUE (Hex) | MODE | EEPROM | FIELD NAME | DESCRIPTION |
|---------------|------|---------------------|------|------------|----------------------------|---|
| 0 | 7 | 0 | R | N | SMBus_Addr3 | SMBus Address Strapped 7-bit address is 0x18 + SMBus_Addr[3:0] |
| | 6 | 0 | R | N | SMBus_Addr2 | |
| | 5 | 0 | R | N | SMBus_Addr1 | |
| | 4 | 0 | R | N | SMBus_Addr0 | |
| | 3:0 | 0 | | | RESERVED | |
| 1 | 7 | 1 | R | N | Version2 | Device version |
| | 6 | 1 | R | N | Version1 | |
| | 5 | 1 | R | N | Version0 | |
| | 4 | 1 | R | N | Device_ID4 | Device ID code |
| | 3 | 0 | R | N | Device_ID3 | |
| | 2 | 0 | R | N | Device_ID2 | |
| | 1 | 0 | R | N | Device_ID1 | |
| 0 | 0 | R | N | Device_ID0 | | |
| 2 | 7:0 | 0 | RW | N | RESERVED | |
| 3 | 7:0 | 0 | | N | RESERVED | |
| 4 | 7 | 0 | RW | N | RESERVED | |
| | 6 | 0 | RWSC | N | RST_SMB_REGS | 1: Resets share registers. Self-clearing. |
| | 5 | 0 | RWSC | N | RST_SMB_MAS | 1: Reset for SMBus Master Mode |
| | 4 | 0 | RW | N | rc_eeprm_rd | 1: Force EEPROM Configuration |
| | 3 | 0 | RW | N | RESERVED | |
| | 2 | 0 | RW | N | RESERVED | |
| | 1 | 0 | RW | N | RESERVED | |
| 0 | 1 | RW | N | RESERVED | | |
| 5 | 7 | 0 | RW | N | disab_eeprm_cfg | Disable Master Mode EEPROM Configuration |
| | 6:5 | 0 | RW | N | RESERVED | |
| | 4 | 1 | R | N | EEPROM_READ_DONE | This bit is set to 1 when read from EEPROM is done |
| | 3 | 0 | R | N | int_ch0 | Set on Channel 0 Interrupt |
| | 2 | 0 | R | N | int_ch1 | Set on Channel 1 Interrupt |
| | 1 | 0 | R | N | int_ch2 | Set on Channel 2 Interrupt |
| 0 | 0 | R | N | int_ch3 | Set on Channel 3 Interrupt | |
| 6 | 7:0 | 0 | RW | N | RESERVED | |
| 7 | 7:0 | 0x05 | RW | N | RESERVED | |
| FF | 7:4 | 0 | RW | N | RESERVED | |
| | 3 | 0 | RW | N | WRITE_ALL_CH | Selects All Channels for Register Write. See Table 14 . |
| | 2 | 0 | RW | N | EN_CH_SMB | Enable Register Write to One or all Channels and Register Read from One Channel. See Table 14 . |
| | 1:0 | 0 | RW | N | SEL_CH_SMB | Selects Target Channel for Register Reads and Writes. See Table 14 . |

7.6.4 Channel Select Register

Register 0xff, bits 3:0

Register 0xff, as described in [Table 13](#), selects the channel or channels for channel register reads and writes. It is worth describing the operation of this register again for clarity. If bit 3 of register 0xff is set, then any channel register write applies to all channels. Channel register read operations always target only the channel specified in bits 1:0 of register 0xff regardless of the state of bit 3 of register 0xff. Read and write operations target the channel register sets only when bit 2 of register 0xff is set.

Bit 2 of register 0xff is the universal channel register enable. This bit must be set in order for any channel register reads and writes to occur. If this bit is set, then read operations from or write operations to register 0x00, for example, target channel register 0x00 for the selected channel rather than the control/shared register 0x00. In order to access the control/shared registers again, bit 2 of register 0xff should be cleared. Then the control/shared registers can again be accessed using the SMBus. Write operations to register 0xff always target the register with address 0xff in the control/shared register set. There is no other register, and specifically, no channel register, with address 0xff.

The contents of the channel select register, register 0xff, cannot be read back over the SMBus. Read operations on this register will always yield an invalid result. All eight bits of this register should always be set to the desired values whenever this register is written. Always write 0x0 to the four MSBs of register 0xff. The register set target selected by each valid value written to the channel select register is listed in [Table 14](#).

Table 14. Channel Select Register Values Mapped to Register Set Target

| REGISTER 0xff VALUE (hex) | SHARED/CHANNEL REGISTER SELECTION | BROADCAST CHANNEL REGISTER SELECTION | TARGETED CHANNEL SELECTION | COMMENTS |
|---------------------------------|---|---|----------------------------------|--|
| 0x00 | Shared | N/A | N/A | All reads and writes target shared register set |
| 0x04 | Channel | No | 0 | All reads and writes target channel 0 register set |
| 0x05 | Channel | No | 1 | All reads and writes target channel 1 register set |
| 0x06 | Channel | No | 2 | All reads and writes target channel 2 register set |
| 0x07 | Channel | No | 3 | All reads and writes target channel 3 register set |
| 0x0c | Channel | Yes | 0 | All writes target all channel register sets, all reads target channel 0 register set |
| 0x0d | Channel | Yes | 1 | All writes target all channel register sets, all reads target channel 1 register set |
| 0x0e | Channel | Yes | 2 | All writes target all channel register sets, all reads target channel 2 register set |
| 0x0f | Channel | Yes | 3 | All writes target all channel register sets, all reads target channel 3 register set |

7.6.5 Reading to and Writing from the Channel Registers

Each of the four channels has a complete set of channel registers associated with it. The channel registers or the control/shared registers are selected by channel select register 0xff. The settings in this register control the target for subsequent register reads and writes until the contents of register 0xff are explicitly changed by a register write to register 0xff. As noted, there is only one register with an address of 0xff, the channel select register.

Table 15. Channel Registers

| Address (Hex) | BITS | DEFAULT VALUE (Hex) | MODE | EEPROM | FIELD NAME | DESCRIPTION |
|------------------|------|---------------------------|------|--------|------------|---|
| 0 | 7:4 | 0 | RW | N | RESERVED | |
| | 3 | 0 | RW | N | RST_CORE | 1: Reset core state machine 0: Normal Operation |
| | 2 | 0 | RW | N | RST_REGS | 1: Resets channel registers, restores default values 0: Normal Operation |
| | 1 | 0 | RW | N | RST_REFCLK | 1: Reset reference clock domain 0: Normal Operation |
| | 0 | 0 | RW | N | RST_VCO | 1: Reset VCO DIV clock domain 0: Normal Operation |

Table 15. Channel Registers (continued)

| Address (Hex) | BITS | DEFAULT VALUE (Hex) | MODE | EEPROM | FIELD NAME | DESCRIPTION |
|---------------|------|---------------------|------|--------|--------------------|--|
| 1 | 7:5 | 0 | RW | N | RESERVED | |
| | 4 | 0 | R | N | CDR_LOCK_LOSS_INT | 1: indicates loss of CDR lock after having acquired it. Bit clears on read. |
| | 3:1 | 0 | R | N | RESERVED | |
| | 0 | 0 | R | N | SIG_DET_LOSS_INT | Loss of signal indicator. Bit is set once signal is acquired and then lost. |
| 2 | 7:0 | 0x0 | R | N | cdr_status | <p>CDR Status [7:0]</p> <p>Bit[7] = PPM Count met</p> <ul style="list-style-type: none"> 1: The data rate is within the specified PPM tolerance (typically around ± 1000 ppm unless specified otherwise in Reg 0x64). 0: Error: PPM tolerance exceeded. <p>Bit[6] = Auto Adapt Complete</p> <ul style="list-style-type: none"> 1: CTLE auto-adaption is complete. 0: CTLE auto-adaption in progress. <p>Bit[5] = Fail Lock Check</p> <ul style="list-style-type: none"> 1: Signal quality and amplitude level is not sufficient for lock. 0: Signal quality and amplitude level is sufficient for CDR lock. <p>Bit[4] = Lock</p> <ul style="list-style-type: none"> When asserted, indicates CDR is locked to the incoming signal. <p>Bit[3] = CDR Lock</p> <ul style="list-style-type: none"> When asserted, indicates CDR is locked to the incoming signal (same status as bit 4) <p>Bit[2] = Single Bit Limit Reached</p> <ul style="list-style-type: none"> 1: Number of bit transitions to acquire CDR lock has been met. 0: Not enough bit transitions within the CDR lock time window to declare lock. <p>Bit[1] = Comp LPF High</p> <ul style="list-style-type: none"> 1: Data rate exceeds the VCO upper limit, based on loop filter comparator voltage. 0 = Data rate is within VCO upper limit. <p>Bit[0] = Comp LPF Low</p> <ul style="list-style-type: none"> 1: Data rate is below the VCO lower limit, based on loop filter comparator voltage. 0 = Data rate is within VCO lower limit. |
| 3 | 7 | 0 | RW | Y | EQ_BST0[1] | This register can be used to force an EQ boost setting if used in conjunction with channel register 0x2D[3]. |
| | 6 | 0 | RW | Y | EQ_BST0[0] | |
| | 5 | 0 | RW | Y | EQ_BST1[1] | |
| | 4 | 0 | RW | Y | EQ_BST1[0] | |
| | 3 | 0 | RW | Y | EQ_BST2[1] | |
| | 2 | 0 | RW | Y | EQ_BST2[0] | |
| | 1 | 0 | RW | Y | EQ_BST3[1] | |
| | 0 | 0 | RW | Y | EQ_BST3[0] | |
| 4 | 7:0 | 0 | RW | N | RESERVED | |
| 5 | 7:0 | 0 | RW | N | RESERVED | |
| 6 | 7:0 | 0 | RW | N | RESERVED | |
| 7 | 7:0 | 0 | RW | N | RESERVED | |
| 8 | 7:5 | 0 | RW | Y | RESERVED | |
| | 4 | 0 | RW | Y | CDR_CAP_DAC_START4 | Starting VCO Cap Dac Setting 0 |
| | 3 | 0 | RW | Y | CDR_CAP_DAC_START3 | Starting VCO Cap Dac Setting 0 |
| | 2 | 0 | RW | Y | CDR_CAP_DAC_START2 | Starting VCO Cap Dac Setting 0 |
| | 1 | 0 | RW | Y | CDR_CAP_DAC_START1 | Starting VCO Cap Dac Setting 0 |
| | 0 | 0 | RW | Y | CDR_CAP_DAC_START0 | Starting VCO Cap Dac Setting 0 |

Table 15. Channel Registers (continued)

| Address (Hex) | BITS | DEFAULT VALUE (Hex) | MODE | EEPROM | FIELD NAME | DESCRIPTION |
|---------------|------|---------------------|------|--------|---|--|
| 9 | 7 | 0 | RW | Y | DIVSEL_VCO_CAP_OV | Enable bit to override cap_cnt with value in register 0x0B[4:0] |
| | 6 | 0 | RW | Y | SET_CP_LVL_LPF_OV | Enable bit to override lpf_dac_val with value in register 0x1F[4:0] |
| | 5 | 0 | RW | Y | BYPASS_PFD_OV | Enable bit to override sel_retimed_loophthru and sel_raw_loophthru with values in reg 0x1E[7:5] |
| | 4 | 0 | RW | Y | EN_FD_PD_VCO_PDIQ_OV | Enable bit to override en_fd, pd_pd, pd_vco, pd_pdiq with reg 0x1E[0], reg 0x1E[2], reg 0x1C[0], reg 0x1C[1] |
| | 3 | 0 | RW | Y | EN_PD_CP_OV | Enable bit to override pd_fd_cp and pd_pd_cp with value in reg 0x1B[1:0] |
| | 2 | 0 | RW | Y | DIVSEL_OV | Enable bit to override divsel with value in reg 0x18[6:4] 1: Override enable 0: Normal operation |
| | 1 | 0 | RW | Y | EN_FLD_OV | Enable to override pd_fld with value in reg 0x1E[1] |
| | 0 | 0 | RW | Y | PFD_LOCK_MODE_SM | Enable FD in lock state |
| A | 7 | 0 | RW | Y | SBT_EN | Enable bit to override sbt_en with value in reg 0x1D[7] |
| | 6 | 0 | RW | Y | EN_IDAC_PD_CP_OV | Enable bit to override phase detector charge pump settings with reg 0x1C[7:5] |
| | | | | | EN_IDAC_FD_CP_OV | Enable bit to override frequency detector charge pump settings with reg 0x1C[4:2] |
| | 5 | 0 | RW | Y | DAC_LPF_HIGH_PHASE_OV DAC_LPF_LOW_PHASE_OV | Enable bit to override loop filter comparator trip voltage with reg 0x16[7:0] |
| | 4 | 1 | RW | Y | EN150_LPF_OV | Enable bit to override en150_lpf with value in reg 0x1F[6] |
| | 3 | 0 | RW | N | CDR_RESET_OV | Enable bit to override CDR reset with reg 0x0A[2] |
| | 2 | 0 | RW | N | CDR_RESET_SM | 1: CDR is put into reset 0: normal CDR operation |
| | 1 | 0 | RW | N | CDR_LOCK_OV | Enable CDR lock signal override with reg 0x0A[0] |
| B | 0 | 0 | RW | N | CDR_LOCK | CDR lock signal override bit |
| | 7 | 0 | RW | Y | RESERVED | |
| | 6 | 0 | RW | Y | RESERVED | |
| | 5 | 0 | RW | Y | RESERVED | |
| | 4 | 0 | RW | Y | CAP_DAC_START1[4] | Starting VCO cap dac setting 1 |
| | 3 | 1 | RW | Y | CAP_DAC_START1[3] | Starting VCO cap dac setting 1 |
| | 2 | 1 | RW | Y | CAP_DAC_START1[2] | Starting VCO cap dac setting 1 |
| | 1 | 1 | RW | Y | CAP_DAC_START1[1] | Starting VCO cap dac setting 1 |
| C | 0 | 1 | RW | Y | CAP_DAC_START1[0] | Starting VCO cap dac setting 1 |
| | 7:4 | 0 | RW | N | RESERVED | |
| | 3 | 1 | RW | Y | SINGLE_BIT_LIMIT_CHECK_ON | 1: Normal operation, device checks for single bit transitions as a gate to achieving CDR lock |
| | 2 | 0 | RW | Y | RESERVED | |
| | 1 | 0 | RW | Y | RESERVED | |
| D | 0 | 0 | RW | Y | RESERVED | |
| | 5 | 0 | RW | Y | PRBS_PATT_SHIFT_EN | PRBS Generator Clock Enable • 1: Enabled • 0: Disabled |
| | 4:0 | 0 | RW | Y | RESERVED | |
| E | 7:0 | 0x93 | RW | N | RESERVED | |
| F | 7:0 | 0x69 | RW | N | RESERVED | |
| 10 | 7:0 | 0x3A | RW | Y | RESERVED | |

Table 15. Channel Registers (continued)

| Address (Hex) | BITS | DEFAULT VALUE (Hex) | MODE | EEPROM | FIELD NAME | DESCRIPTION |
|---------------|------|---------------------|------|--------|-------------------|---|
| 11 | 7 | 0 | RW | Y | EOM_SEL_VRANGE[1] | Manually set the EOM vertical range, used with channel register 0x2C[6]: 00: ±100 mV 01: ±200 mV 10: ±300 mV 11: ±400 mV |
| | 6 | 0 | RW | Y | EOM_SEL_VRANGE[0] | |
| | 5 | 1 | RW | Y | EOM_PD | 1: Normal operation |
| | 4 | 0 | RW | N | RESERVED | |
| | 3 | 0 | RW | Y | RESERVED | |
| | 2 | 0 | RW | Y | RESERVED | |
| | 1 | 0 | RW | Y | RESERVED | |
| | 0 | 0 | RW | Y | RESERVED | |
| 12 | 7 | 1 | RW | Y | RESERVED | |
| | 6 | 1 | RW | N | RESERVED | |
| | 5 | 1 | RW | Y | RESERVED | |
| | 4 | 0 | RW | Y | RESERVED | |
| | 3 | 0 | RW | Y | RESERVED | |
| | 2 | 0 | RW | Y | RESERVED | |
| | 1 | 0 | RW | Y | RESERVED | |
| | 0 | 0 | RW | Y | RESERVED | |
| 13 | 7 | 0 | RW | N | RESERVED | |
| | 6 | 0 | RW | Y | RESERVED | |
| | 5 | 1 | RW | Y | RESERVED | |
| | 4 | 1 | RW | Y | EQ_EN_DC_OFF | 1: Normal operation |
| | 3 | 0 | RW | Y | RESERVED | |
| | 2 | 0 | RW | Y | EQ_LIMIT_EN | 1: Configures the final stage of the equalizer to be a limiting stage. 0: Normal operation, final stage of the equalizer is configured to be a linear stage. |
| | 1 | 0 | RW | Y | RESERVED | |
| 14 | 7 | 0 | RW | Y | EQ_SD_PRESET | 1: Forces signal detect HIGH, and force enables the channel. Should not be set if bit 6 is set. 0: Normal Operation. |
| | 6 | 0 | RW | Y | EQ_SD_RESET | 1: Forces signal detect LOW and force disables the channel. Should not be set if bit 7 is set. 0: Normal Operation. |
| | 5 | 0 | RW | Y | EQ_REFA_SEL1 | Controls the signal detect assert levels. |
| | 4 | 0 | RW | Y | EQ_REFA_SEL0 | |
| | 3 | 0 | RW | Y | EQ_REFD_SEL1 | Controls the signal detect de-assert levels. |
| | 2 | 0 | RW | Y | EQ_REFD_SEL0 | |
| | 1:0 | 0 | RW | N | RESERVED | |
| 15 | 7 | 0 | RW | Y | RESERVED | |
| | 6 | 0 | RW | Y | drv_dem_range | Driver De-emphasis Range |
| | 5 | 0 | RW | Y | RESERVED | |
| | 4 | 1 | RW | Y | RESERVED | |
| | 3 | 0 | RW | N | DRV_PD | 1: Powers down the high speed driver 0: Normal operation |
| | 2 | 0 | RW | Y | DRV_DEM2 | Driver De-emphasis Setting[2:0] |
| | 1 | 0 | RW | Y | DRV_DEM1 | |
| | 0 | 0 | RW | Y | DRV_DEM0 | |
| 16 | 7:0 | 0x7A | RW | Y | RESERVED | |
| 17 | 7:0 | 0x36 | RW | Y | RESERVED | |

Table 15. Channel Registers (continued)

| Address (Hex) | BITS | DEFAULT VALUE (Hex) | MODE | EEPROM | FIELD NAME | DESCRIPTION |
|---------------|------|---------------------|------|--------|-------------------|---|
| 18 | 7 | 0 | RW | N | RESERVED | |
| | 6 | 1 | RW | Y | PDIQ_SEL_DIV2 | These bits will force the divider setting if 0x09[2] is set. 000: Divide by 1 001: Divide by 2 010: Divide by 4 011: Divide by 8 100: Divide by 16 All other values are reserved. |
| | 5 | 0 | RW | Y | PDIQ_SEL_DIV1 | |
| | 4 | 0 | RW | Y | PDIQ_SEL_DIV0 | |
| | 3 | 0 | RW | N | RESERVED | |
| | 2 | 0 | RW | N | DRV_SEL_SLOW | |
| | 1:0 | 0 | RW | N | RESERVED | |
| 19 | 7:6 | 0x23 | RW | N | RESERVED | |
| | 5:0 | | RW | Y | RESERVED | |
| 1A | 7:4 | 0x0 | RW | Y | RESERVED | |
| | 3:0 | 0x0 | RW | N | RESERVED | |
| 1B | 7:2 | 0 | RW | N | RESERVED | |
| | 1 | 1 | RW | Y | CP_EN_CP_PD | 1: Normal operation (phase detector charge pump enabled) |
| | 0 | 1 | RW | Y | CP_EN_CP_FD | 1: Normal operation (frequency detector charge pump enabled) |
| 1C | 7 | 0 | RW | Y | EN_IDAC_PD_CP2 | Phase detector charge pump setting. MSB located in channel register 0x0C[0]. Override bit required for these bits to take effect |
| | 6 | 0 | RW | Y | EN_IDAC_PD_CP1 | |
| | 5 | 1 | RW | Y | EN_IDAC_PD_CP0 | |
| | 4 | 0 | RW | Y | EN_IDAC_FD_CP2 | Frequency detector charge pump setting. MSB located in channel register 0x0C[1]. Override bit required for these bits to take effect |
| | 3 | 0 | RW | Y | EN_IDAC_FD_CP1 | |
| | 2 | 1 | RW | Y | EN_IDAC_FD_CP0 | |
| | 1:0 | 0 | RW | Y | RESERVED | |
| 1D | 7 | 0 | RW | Y | SBT_EN | SBT enable override 0: Normal operation |
| | 6:0 | 0 | RW | N | RESERVED | |
| 1E | 7 | 1 | RW | Y | PFD_SEL_DATA_MUX2 | For these values to take effect, register 0x09[5] must be set to 1. 000: Raw Data* 001: Retimed Data 100: Pattern Generator 111: Mute All other values are reserved. |
| | 6 | 1 | RW | Y | PFD_SEL_DATA_MUX1 | |
| | 5 | 1 | RW | Y | PFD_SEL_DATA_MUX0 | |
| | 4 | 0 | RW | N | PRBS_EN | 1: Enable PRBS Generator |
| | 3 | 1 | RW | Y | RESERVED | |
| | 2 | 0 | RW | Y | PFD_PD_PD | PFD phase detector power down override |
| | 1 | 0 | RW | Y | PFD_EN_FLD | PFD enable FLD override |
| | 0 | 1 | RW | Y | PFD_EN_FD | PFD enable frequency detector override |
| 1F | 7 | 0 | RW | Y | RESERVED | |
| | 6 | 1 | RW | Y | LPF_EN_150 | When reg_0A[4]=1, this bit will change the loop filter resistance. • 1 to 1500 Ω • 0 to 750 Ω |
| | 5 | 0 | RW | N | RESERVED | |
| | 4 | 1 | RW | N | lpf_dac_val[4] | lpf_dac_val over-ride |
| | 3 | 0 | RW | N | lpf_dac_val[3] | lpf_dac_val over-ride |
| | 2 | 1 | RW | N | lpf_dac_val[2] | lpf_dac_val over-ride |
| | 1 | 0 | RW | N | lpf_dac_val[1] | lpf_dac_val over-ride |
| | 0 | 1 | RW | N | lpf_dac_val[0] | lpf_dac_val over-ride |

Table 15. Channel Registers (continued)

| Address (Hex) | BITS | DEFAULT VALUE (Hex) | MODE | EEPROM | FIELD NAME | DESCRIPTION |
|---------------|------|---------------------|------|--------|------------------------------|--|
| 20 | 7 | 0 | RW | Y | RESERVED | |
| | 6 | 0 | RW | Y | RESERVED | |
| | 5 | 0 | RW | Y | RESERVED | |
| | 4 | 0 | RW | Y | RESERVED | |
| | 3 | 0 | RW | Y | RESERVED | |
| | 2 | 0 | RW | Y | RESERVED | |
| | 1 | 0 | RW | Y | RESERVED | |
| | 0 | 0 | RW | Y | RESERVED | |
| 21 | 7 | 0 | RW | Y | RESERVED | |
| | 6 | 0 | RW | Y | RESERVED | |
| | 5 | 0 | RW | Y | RESERVED | |
| | 4 | 0 | RW | Y | RESERVED | |
| | 3 | 0 | RW | Y | RESERVED | |
| | 2 | 0 | RW | Y | RESERVED | |
| | 1 | 0 | RW | Y | RESERVED | |
| | 0 | 0 | RW | Y | RESERVED | |
| 22 | 7:0 | 0 | RW | N | RESERVED | |
| 23 | 7 | 0 | RW | N | EOM_GET_HEO_VEO_OV | 1: Override enable for manual control of the HEO/VEO trigger 0: Normal operation |
| | 6 | 1 | RW | Y | RESERVED | |
| | 5:0 | 0 | RW | N | RESERVED | |
| 24 | 7 | 0 | RW | N | FAST_EOM | 1: Enables fast EOM mode for fully eye capture. In this mode the phase DAC and voltage DAC of the EOM are automatically incremented through a 64 x 64 matrix. Values for each point are stored in channel registers 25 and 26. |
| | 6 | 0 | RW | N | RESERVED | |
| | 5 | 0 | RW | N | GET_HEO_VEO_ERROR_NO_HITS | GET_HEO_VEO sees no hits at zero crossing |
| | 4 | 0 | RW | N | GET_HEO_VEO_ERROR_NO_OPENING | GET_HEO_VEO cannot see a vertical eye opening |
| | 3 | 0 | RW | N | RESERVED | |
| | 2 | 0 | RW | N | RESERVED | |
| | 1 | 0 | RW | N | EOM_GET_HEO_VEO | 1: Manually triggers a HEO/VEO measurement. Must be enabled with channel register 0x23[7]. |
| | 0 | 0 | RW | N | EOM_START | 1: Starts EOM counter, self clearing |
| 25 | 7 | 0 | R | N | EOM_COUNT15 | MSBs of EOM counter |
| | 6 | 0 | R | N | EOM_COUNT14 | |
| | 5 | 0 | R | N | EOM_COUNT13 | |
| | 4 | 0 | R | N | EOM_COUNT12 | |
| | 3 | 0 | R | N | EOM_COUNT11 | |
| | 2 | 0 | R | N | EOM_COUNT10 | |
| | 1 | 0 | R | N | EOM_COUNT9 | |
| | 0 | 0 | R | N | EOM_COUNT8 | |
| 26 | 7 | 0 | R | N | EOM_COUNT7 | LSBs of EOM counter |
| | 6 | 0 | R | N | EOM_COUNT6 | |
| | 5 | 0 | R | N | EOM_COUNT5 | |
| | 4 | 0 | R | N | EOM_COUNT4 | |
| | 3 | 0 | R | N | EOM_COUNT3 | |
| | 2 | 0 | R | N | EOM_COUNT2 | |
| | 1 | 0 | R | N | EOM_COUNT1 | |
| | 0 | 0 | R | N | EOM_COUNT0 | |

Table 15. Channel Registers (continued)

| Address (Hex) | BITS | DEFAULT VALUE (Hex) | MODE | EEPROM | FIELD NAME | DESCRIPTION |
|---------------|------|---------------------|------|--------|---------------------|--|
| 27 | 7 | 0 | R | N | HEO7 | HEO value, requires CDR to be locked for valid measurement |
| | 6 | 0 | R | N | HEO6 | |
| | 5 | 0 | R | N | HEO5 | |
| | 4 | 0 | R | N N | HEO4 | |
| | 3 | 0 | R | | HEO3 | |
| | 2 | 0 | R | N | HEO2 | |
| | 1 | 0 | R | N | HEO1 | |
| | 0 | 0 | R | N | HEO0 | |
| 28 | 7 | 0 | R | N | VEO7 | VEO value, requires CDR to be locked for valid measurement |
| | 6 | 0 | R | N | VEO6 | |
| | 5 | 0 | R | N | VEO5 | |
| | 4 | 0 | R | N | VEO4 | |
| | 3 | 0 | R | N | VEO3 | |
| | 2 | 0 | R | N | VEO2 | |
| | 1 | 0 | R | N | VEO1 | |
| | 0 | 0 | R | N | VEO0 | |
| 29 | 7 | 0 | RW | N | RESERVED | Use these bits to read back the EOM voltage range setting: 00: ±100 mV 01: ±200 mV 10: ±300 mV 11: ±400 mV |
| | 6 | 0 | R | N | EOM_VRANGE_SETTING1 | |
| | 5 | 0 | R | N | EOM_VRANGE_SETTING0 | |
| | 4:0 | 0 | RW | N | RESERVED | |
| 2A | 7 | 0 | RW | Y | EOM_TIMER_THR7 | Controls the amount of time the EOM samples each point in the eye for. The total counter bit width is 16-bits. This register is the upper 8-bits. The counter counts in 32-bit words. Therefore, the total number of bits is 32 times this value |
| | 6 | 0 | RW | Y | EOM_TIMER_THR6 | |
| | 5 | 1 | RW | Y | EOM_TIMER_THR5 | |
| | 4 | 1 | RW | Y | EOM_TIMER_THR4 | |
| | 3 | 0 | RW | Y | EOM_TIMER_THR3 | |
| | 2 | 0 | RW | Y | EOM_TIMER_THR2 | |
| | 1 | 0 | RW | Y | EOM_TIMER_THR1 | |
| | 0 | 0 | RW | Y | EOM_TIMER_THR0 | |
| 2B | 7:6 | 0 | RW | N | RESERVED | These bits set the number of hits for a particular phase and voltage location in the EOM before the EOM will indicate a hit has occurred. This filtering only affects the HEO measurement. Filter threshold ranges from 0 to 15 hits. |
| | 5:4 | 0 | RW | Y | RESERVED | |
| | 3 | 0 | RW | Y | EOM_MIN_REQ_HITS3 | |
| | 2 | 0 | RW | Y | EOM_MIN_REQ_HITS2 | |
| | 1 | 0 | RW | Y | EOM_MIN_REQ_HITS1 | |
| | 0 | 0 | RW | Y | EOM_MIN_REQ_HITS0 | |
| 2C | 7 | 0 | RW | N | RESERVED | Scale VEO based on EOM vrange |
| | 6 | 1 | RW | Y | VEO_SCALE | |
| | 5 | 1 | RW | Y | RESERVED | |
| | 4 | 1 | RW | Y | RESERVED | |
| | 3 | 0 | RW | Y | RESERVED | |
| | 2 | 0 | RW | Y | RESERVED | |
| | 1 | 1 | RW | Y | RESERVED | |
| | 0 | 0 | RW | Y | RESERVED | |

Table 15. Channel Registers (continued)

| Address (Hex) | BITS | DEFAULT VALUE (Hex) | MODE | EEPROM | FIELD NAME | DESCRIPTION |
|---------------|------|---------------------|------|--------|------------------------|---|
| 2D | 7 | 1 | RW | Y | RESERVED | |
| | 6 | 0 | RW | Y | RESERVED | |
| | 5 | 0 | RW | Y | RESERVED | |
| | 4 | 0 | RW | Y | RESERVED | |
| | 3 | 0 | RW | Y | EQ_BST_OV | Allow override control of the EQ setting by writing to channel register 0x03. Not recommended for normal operation. |
| | 2 | 0 | RW | Y | DRV_SEL_VOD2 | Controls the VOD levels of the high speed drivers |
| | 1 | 0 | RW | Y | DRV_SEL_VOD1 | |
| | 0 | 0 | RW | Y | DRV_SEL_VOD0 | |
| 2E | 7:00 | 0 | RW | N | RESERVED | |
| 2F | 7 | 0 | RW | Y | RATE1 | 4 bits determine standard. Refer to Table 2 . |
| | 6 | 0 | RW | Y | RATE0 | |
| | 5 | 0 | RW | Y | SUBRATE1 | |
| | 4 | 0 | RW | Y | SUBRATE0 | |
| | 3 | 0 | RW | Y | INDEX_OV | If this bit is set to 1, reg 0x13 is to be used as a 5 bit index to the [31:0] array of EQ settings. |
| | 2 | 1 | RW | Y | EN_PPM_CHECK | 1: PPM check to be used as a qualifier when performing lock detect |
| | 1 | 1 | RW | Y | EN_FLD_CHECK | For default ref_mode 3: 0: FLD is enabled 1: FLD is disabled |
| | 0 | 0 | RWSC | N | CTLE_ADAPT | Starts CTLE adaption, self-clearing |
| 30 | 7 | 0 | RW | N | RESERVED | |
| | 6 | 0 | RW | N | RESERVED | |
| | 5 | 0 | R | N | EOM_VRANGE_LIMIT_ERROR | |
| | 4 | 0 | R | N | HEO_VEO_INTERRUPT | Requires that channel register 0x36[6] be set. 1: Indicates that HEO/VEO dropped below the limits set in channel register 0x76 This bit is cleared after reading. This bit will stay set until it has been cleared by reading. |
| | 3 | 0 | RW | Y | PRBS_EN_DIG_CLK | This bit enables the clock to operate the PRBS generator and/or the PRBS checker. Toggling this bit is the primary method to reset the PRBS pattern generator and PRBS checker. |
| | 2 | 0 | RW | N | RESERVED | |
| | 1 | 0 | RW | Y | PRBS_PATTERN_SEL1 | Selects the PRBS generator pattern to output. Requires that the pattern generator be configured properly. 00: PRBS-7 01: PRBS-9 10: PRBS-15 11: PRBS-31 |
| | 0 | 0 | RW | Y | PRBS_PATTERN_SELO | |
| 31 | 7 | 0 | RW | Y | RESERVED | |
| | 6 | 0 | RW | Y | RESERVED | 00: no adaption 01: adapt CTLE only 10: Reserved 11: Reserved |
| | 5 | 1 | RW | Y | ADAPT_MODE0 | |
| | 4 | 0 | RW | Y | EQ_SM_FOM1 | 00: not valid 01: SM uses HEO only 10: SM uses VEO only 11: SM uses both HEO and VEO |
| | 3 | 0 | RW | Y | EQ_SM_FOM0 | |
| | 2 | 0 | RW | N | RESERVED | |
| | 1 | 0 | RW | N | RESERVED | |
| | 0 | 0 | RW | N | RESERVED | |

Table 15. Channel Registers (continued)

| Address (Hex) | BITS | DEFAULT VALUE (Hex) | MODE | EEPROM | FIELD NAME | DESCRIPTION | |
|---------------|------|---------------------|------|--------|------------------------|---|---|
| 32 | 7 | 0 | RW | Y | HEO_INT_THRESH3 | These bits set the threshold for the HEO and VEO interrupt. Each threshold bit represents 8 counts of HEO or VEO. | |
| | 6 | 0 | RW | Y | HEO_INT_THRESH2 | | |
| | 5 | 0 | RW | Y | HEO_INT_THRESH1 | | |
| | 4 | 1 | RW | Y | HEO_INT_THRESH0 | | |
| | 3 | 0 | RW | Y | VEO_INT_THRESH3 | | |
| | 2 | 0 | RW | Y | VEO_INT_THRESH2 | | |
| | 1 | 0 | RW | Y | VEO_INT_THRESH1 | | |
| | 0 | 1 | RW | Y | VEO_INT_THRESH0 | | |
| 33 | 7 | 1 | RW | Y | HEO_THRESH3 | Reserved for future use. | |
| | 6 | 0 | RW | Y | HEO_THRESH2 | | |
| | 5 | 0 | RW | Y | HEO_THRESH1 | | |
| | 4 | 0 | RW | Y | HEO_THRESH0 | | |
| | 3 | 1 | RW | Y | VEO_THRESH3 | | |
| | 2 | 0 | RW | Y | VEO_THRESH2 | | |
| | 1 | 0 | RW | Y | VEO_THRESH1 | | |
| | 0 | 0 | RW | Y | VEO_THRESH0 | | |
| 34 | 7 | 0 | RW | N | PPM_ERR_RDY | 1: Indicates that a PPM error count is read to be read from channel register 0x3B and 0x3C | |
| | 6 | 0 | RW | Y | LOW_POWER_MODE_DISABLE | By default, all blocks (except signal detect) power down after 100ms after signal detect goes low. | |
| | 5 | 1 | RW | Y | LOCK_COUNTER1 | After achieving lock, the CDR continues to monitor the lock criteria. If the lock criteria fail, the lock is checked for a total of N number of times before declaring an out of lock condition, where N is set by this the value in these registers, with a max value of +3, for a total of 4. If during the N lock checks, lock is regained, then the lock condition is left HI, and the counter is reset back to zero. | |
| | 4 | 1 | RW | Y | LOCK_COUNTER0 | | |
| | 3 | 1 | RW | Y | RESERVED | | |
| | 2 | 1 | RW | Y | RESERVED | | |
| | 1 | 1 | RW | Y | RESERVED | | |
| | 0 | 1 | RW | Y | RESERVED | | |
| 35 | 7 | 0 | RW | Y | DATA_LOCK_PPM1 | Modifies the value of the ppm delta tolerance from channel register 0x64: 00 - ppm_delta[7:0] =1 x ppm_delta[7:0] 01 - ppm_delta[7:0] =1 x ppm_delta[7:0] + ppm_delta[3:1] 10 - ppm_delta[7:0] =2 x ppm_delta[7:0] 11 - ppm_delta[7:0] =2 x ppm_delta[7:0] + ppm_delta[3:1] | |
| | 6 | 0 | RW | Y | DATA_LOCK_PPM0 | | |
| | 5 | 0 | RW | N | GET_PPM_ERROR | | Get ppm error from ppm_count - clears when done. Normally updates continuously, but can be manually triggered with read value from channel register 0x3B and 0x3C |
| | 4 | 1 | RW | Y | RESERVED | | |
| | 3 | 1 | RW | Y | RESERVED | | |
| | 2 | 1 | RW | Y | RESERVED | | |
| | 1 | 1 | RW | Y | RESERVED | | |
| | 0 | 1 | RW | Y | RESERVED | | |

Table 15. Channel Registers (continued)

| Address (Hex) | BITS | DEFAULT VALUE (Hex) | MODE | EEPROM | FIELD NAME | DESCRIPTION |
|---------------|------|---------------------|------|--------|--------------------|--|
| 36 | 7 | 0 | RW | Y | RESERVED | |
| | 6 | 0 | RW | Y | HEO_VEO_INT_EN | 1: Enable HEO/VEO interrupt capability |
| | 5 | 1 | RW | Y | REF_MODE1 | 11: Fast_lock all cap dac ref clock enabled (recommended) 10: constrained cap dac, ref clock enabled 01: referenceless constrained cap dac 00: referenceless all cap dac |
| | 4 | 1 | RW | Y | REF_MODE0 | |
| | 3 | 0 | RW | Y | RESERVED | |
| | 2 | 0 | RW | Y | CDR_CAP_DAC_RNG_OV | Over-ride enable for Cap DAC range |
| | 1 | 0 | RW | Y | cdr_cap_dac_rng[1] | Sets the stop value based on start value - (rng+1): 11: stop = start - 4 10: stop = start - 3 01: stop = start - 2 00: stop = start - 1 |
| | 0 | 1 | RW | Y | cdr_cap_dac_rng[0] | |
| 37 | 7 | 0 | R | N | CTLE_STATUS7 | Feature is reserved for future use |
| | 6 | 0 | R | N | CTLE_STATUS6 | |
| | 5 | 0 | R | N | CTLE_STATUS5 | |
| | 4 | 0 | R | N | CTLE_STATUS4 | |
| | 3 | 0 | R | N | CTLE_STATUS3 | |
| | 2 | 0 | R | N | CTLE_STATUS2 | |
| | 1 | 0 | R | N | CTLE_STATUS1 | |
| | 0 | 0 | R | N | CTLE_STATUS0 | |
| 38 | 7 | 0 | R | N | RESERVED | |
| | 6 | 0 | R | N | RESERVED | |
| | 5 | 0 | R | N | RESERVED | |
| | 4 | 0 | R | N | RESERVED | |
| | 3 | 0 | R | N | RESERVED | |
| | 2 | 0 | R | N | RESERVED | |
| | 1 | 0 | R | N | RESERVED | |
| | 0 | 0 | R | N | RESERVED | |
| 39 | 7 | 0 | RW | N | RESERVED | |
| | 6 | 0 | RW | Y | EOM_RATE1 | With eom_ov=1, these bits control the Eye Monitor Rate: 11: Use for Full Rate, Fastest 10 : Use for 1/2 Rate 01: Use for 1/4 Rate 00: Use for 1/8 Rate, Slowest |
| | 5 | 0 | RW | Y | EOM_RATE0 | |
| | 4 | 0 | RW | Y | START_INDEX4 | Start index for EQ adaptation |
| | 3 | 0 | RW | Y | START_INDEX3 | |
| | 2 | 0 | RW | Y | START_INDEX2 | |
| | 1 | 0 | RW | Y | START_INDEX1 | |
| | 0 | 0 | RW | Y | START_INDEX0 | |
| 3A | 7 | 1 | RW | Y | FIXED_EQ_BST0[1] | During adaptation, if the divider setting is >2, then a fixed EQ setting from this register will be used. However, if channel register 0x6F[7] is enabled, then an EQ adaptation will be performed instead |
| | 6 | 0 | RW | Y | FIXED_EQ_BST0[0] | |
| | 5 | 1 | RW | Y | FIXED_EQ_BST1[1] | |
| | 4 | 0 | RW | Y | FIXED_EQ_BST1[0] | |
| | 3 | 0 | RW | Y | FIXED_EQ_BST2[1] | |
| | 2 | 1 | RW | Y | FIXED_EQ_BST2[0] | |
| | 1 | 0 | RW | Y | FIXED_EQ_BST3[1] | |
| | 0 | 1 | RW | | FIXED_EQ_BST3[0] | |

Table 15. Channel Registers (continued)

| Address (Hex) | BITS | DEFAULT VALUE (Hex) | MODE | EEPROM | FIELD NAME | DESCRIPTION |
|---------------|---|---------------------|------|--------|--------------------|---------------------------------|
| 3B | 7 | 0 | R | N | RESERVED | |
| | 6 | 0 | R | N | RESERVED | |
| | 5 | 0 | R | N | RESERVED | |
| | 4 | 0 | R | N | RESERVED | |
| | 3 | 0 | R | N | RESERVED | |
| | 2 | 0 | R | N | RESERVED | |
| | 1 | 0 | R | N | RESERVED | |
| | 0 | 0 | R | N | RESERVED | |
| 3C | 7 | 0 | R | N | RESERVED | |
| | 6 | 0 | R | N | RESERVED | |
| | 5 | 0 | R | N | RESERVED | |
| | 4 | 0 | R | N | RESERVED | |
| | 3 | 0 | R | N | RESERVED | |
| | 2 | 0 | R | N | RESERVED | |
| | 1 | 0 | R | N | RESERVED | |
| | 0 | 0 | R | N | RESERVED | |
| 3D | 7 | 0 | RW | Y | RESERVED | |
| | 6 | 0 | RW | Y | RESERVED | |
| | 5 | 0 | RW | Y | RESERVED | |
| | 4 | 0 | RW | Y | RESERVED | |
| | 3 | 0 | RW | Y | RESERVED | |
| | 2 | 0 | RW | Y | RESERVED | |
| | 1 | 0 | RW | Y | RESERVED | |
| | 0 | 0 | RW | Y | RESERVED | |
| 3E | 7 | 1 | RW | Y | HEO_VEO_LOCKMON_EN | Enable HEO/VEO lock monitoring. |
| | 6 | 0 | RW | Y | RESERVED | |
| | 5 | 0 | RW | Y | RESERVED | |
| | 4 | 0 | RW | Y | RESERVED | |
| | 3 | 0 | RW | Y | RESERVED | |
| | 2 | 0 | RW | Y | RESERVED | |
| | 1 | 0 | RW | Y | RESERVED | |
| | 0 | 0 | RW | Y | RESERVED | |
| 3F | 7 | 0 | RW | Y | RESERVED | |
| | 6 | 0 | RW | Y | RESERVED | |
| | 5 | 0 | RW | Y | RESERVED | |
| | 4 | 0 | RW | Y | RESERVED | |
| | 3 | 0 | RW | Y | RESERVED | |
| | 2 | 0 | RW | Y | RESERVED | |
| | 1 | 0 | RW | Y | RESERVED | |
| | 0 | 0 | RW | Y | RESERVED | |
| 40-5F | CTLE Settings for adaption – see Table 10 | | | | | |
| 60 | 7 | 0 | RW | Y | GRP0_OV_CNT7 | Group 0 count LSB |
| | 6 | 0 | RW | Y | GRP0_OV_CNT6 | |
| | 5 | 0 | RW | Y | GRP0_OV_CNT5 | |
| | 4 | 0 | RW | Y | GRP0_OV_CNT4 | |
| | 3 | 0 | RW | Y | GRP0_OV_CNT3 | |
| | 2 | 0 | RW | Y | GRP0_OV_CNT2 | |
| | 1 | 0 | RW | Y | GRP0_OV_CNT1 | |
| | 0 | 0 | RW | Y | GRP0_OV_CNT0 | |

Table 15. Channel Registers (continued)

| Address (Hex) | BITS | DEFAULT VALUE (Hex) | MODE | EEPROM | FIELD NAME | DESCRIPTION |
|---------------|------|---------------------|------|--------|-------------------|--|
| 61 | 7 | 0 | RW | Y | CNT_DLTA_OV_0 | Override enable for group 0 manual data rate selection |
| | 6 | 0 | RW | Y | GRP0_OV_CNT14 | Group 0 count MSB |
| | 5 | 0 | RW | Y | GRP0_OV_CNT13 | |
| | 4 | 0 | RW | Y | GRP0_OV_CNT12 | |
| | 3 | 0 | RW | Y | GRP0_OV_CNT11 | |
| | 2 | 0 | RW | Y | GRP0_OV_CNT10 | |
| | 1 | 0 | RW | Y | GRP0_OV_CNT9 | |
| | 0 | 0 | RW | Y | GRP0_OV_CNT8 | |
| 62 | 7 | 0 | RW | Y | GRP1_OV_CNT7 | |
| | 6 | 0 | RW | Y | GRP1_OV_CNT6 | |
| | 5 | 0 | RW | Y | GRP1_OV_CNT5 | |
| | 4 | 0 | RW | Y | GRP1_OV_CNT4 | |
| | 3 | 0 | RW | Y | GRP1_OV_CNT3 | |
| | 2 | 0 | RW | Y | GRP1_OV_CNT2 | |
| | 1 | 0 | RW | Y | GRP1_OV_CNT1 | |
| | 0 | 0 | RW | Y | GRP1_OV_CNT0 | |
| 63 | 7 | 0 | RW | Y | CNT_DLTA_OV_1 | Override enable for group 1 manual data rate selection |
| | 6 | 0 | RW | Y | GRP1_OV_CNT14 | Group 1 count MSB |
| | 5 | 0 | RW | Y | GRP1_OV_CNT13 | |
| | 4 | 0 | RW | Y | GRP1_OV_CNT12 | |
| | 3 | 0 | RW | Y | GRP1_OV_CNT11 | |
| | 2 | 0 | RW | Y | GRP1_OV_CNT10 | |
| | 1 | 0 | RW | Y | GRP1_OV_CNT9 | |
| | 0 | 0 | RW | Y | GRP1_OV_CNT8 | |
| 64 | 7 | 0 | RW | Y | GRP0_OV_DLTA3 | |
| | 6 | 0 | RW | Y | GRP0_OV_DLTA2 | |
| | 5 | 0 | RW | Y | GRP0_OV_DLTA1 | |
| | 4 | 0 | RW | Y | GRP0_OV_DLTA0 | |
| | 3 | 0 | RW | Y | GRP1_OV_DLTA3 | Sets the PPM delta tolerance for the PPM counter lock check for group 1. Must also program channel register 0x67[6]. |
| | 2 | 0 | RW | Y | GRP1_OV_DLTA2 | |
| | 1 | 0 | RW | Y | GRP1_OV_DLTA1 | |
| | 0 | 0 | RW | Y | GRP1_OV_DLTA0 | |
| 65 | 7:0 | 0 | RW | N | RESERVED | |
| 66 | 7:0 | 0 | RW | N | RESERVED | |
| 67 | 7:0 | 0x20 | RW | Y | RESERVED | |
| 68 | 7:0 | 0 | RW | N | RESERVED | |
| 69 | 7:5 | 0 | RW | N | RESERVED | |
| | 4 | 0 | RW | N | CTLE_ADPT_FRC_EN | This feature is reserved for future use. |
| | 3 | 1 | RW | Y | HV_LCKMON_CNT_MS3 | |
| | 2 | 0 | RW | Y | HV_LCKMON_CNT_MS2 | |
| | 1 | 1 | RW | Y | HV_LCKMON_CNT_MS1 | |
| | 0 | 0 | RW | Y | HV_LCKMON_CNT_MS0 | |
| 6A | 7 | 0 | RW | Y | VEO_LCK_THRSH3 | |
| | 6 | 0 | RW | Y | VEO_LCK_THRSH2 | |
| | 5 | 1 | RW | Y | VEO_LCK_THRSH1 | |
| | 4 | 0 | RW | Y | VEO_LCK_THRSH0 | |
| | 3 | 0 | RW | Y | HEO_LCK_THRSH3 | HEO threshold to meet before lock is established. The LSB step size is 4 counts of VEO. |
| | 2 | 0 | RW | Y | HEO_LCK_THRSH2 | |
| | 1 | 1 | RW | Y | HEO_LCK_THRSH1 | |
| | 0 | 0 | RW | Y | HEO_LCK_THRSH0 | |

Table 15. Channel Registers (continued)

| Address (Hex) | BITS | DEFAULT VALUE (Hex) | MODE | EEPROM | FIELD NAME | DESCRIPTION |
|---------------|------|---------------------|------|--------|------------------|---|
| 6B | 7 | 0 | RW | Y | FOM_A7 | Alternate Figure of Merit variable A. Max value for this register is 128, do not use the MSB |
| | 6 | 1 | RW | Y | FOM_A6 | |
| | 5 | 0 | RW | Y | FOM_A5 | |
| | 4 | 0 | RW | Y | FOM_A4 | |
| | 3 | 0 | RW | Y | FOM_A3 | |
| | 2 | 0 | RW | Y | FOM_A2 | |
| | 1 | 0 | RW | Y | FOM_A1 | |
| | 0 | 0 | RW | Y | FOM_A0 | |
| 6C | 7 | 0 | RW | Y | FOM_B7 | HEO adjustment for Alternate FoM, variable B |
| | 6 | 1 | RW | Y | FOM_B6 | |
| | 5 | 0 | RW | Y | FOM_B5 | |
| | 4 | 0 | RW | Y | FOM_B4 | |
| | 3 | 0 | RW | Y | FOM_B3 | |
| | 2 | 0 | RW | Y | FOM_B2 | |
| | 1 | 0 | RW | Y | FOM_B1 | |
| | 0 | 0 | RW | Y | FOM_B0 | |
| 6D | 7 | 0 | RW | Y | FOM_C7 | VEO adjustment for Alternate FoM, variable C |
| | 6 | 1 | RW | Y | FOM_C6 | |
| | 5 | 0 | RW | Y | FOM_C5 | |
| | 4 | 0 | RW | Y | FOM_C4 | |
| | 3 | 0 | RW | Y | FOM_C3 | |
| | 2 | 0 | RW | Y | FOM_C2 | |
| | 1 | 0 | RW | Y | FOM_C1 | |
| | 0 | 0 | RW | Y | FOM_C0 | |
| 6E | 7 | 0 | RW | Y | EN_NEW_FOM_CTLE | 1: CTLE adaption state machine will use the alternate FoM $HEO_ALT = (HEO-B)*A^2$ $VEO_ALT = (VEO-C)*(1-A)^2$ The values of A,B,C are set in channel register 0x6B, 0x6C, and 0x6D. The value of A is equal to the register value divided by 128. The Alternate FoM = $(HEOB)*A^2 + (VEO-C)*(1-A)^2$ |
| | 6 | 0 | RW | Y | RESERVED | |
| | 5:1 | 0 | RW | N | RESERVED | |
| | 0 | 0 | RW | N | GET_HV_ST_FRC_EN | This feature is reserved for future use. |
| 6F | 7:5 | 0 | RW | Y | RESERVED | |
| | 4:0 | 0 | RW | N | RESERVED | |
| 70 | 7:4 | 0 | RW | N | RESERVED | |
| | 3 | 0 | RW | N | RESERVED | |
| | 2 | 0 | RW | Y | EQ_LB_CNT2 | CTLE look beyond count for adaption |
| | 1 | 1 | RW | Y | EQ_LB_CNT1 | |
| | 0 | 1 | RW | Y | EQ_LB_CNT0 | |
| 71 | 7:6 | 0 | RW | N | RESERVED | |
| | 5 | 0 | R | N | RESERVED | |
| | 4 | 0 | R | N | RESERVED | |
| | 3 | 0 | R | N | RESERVED | |
| | 2 | 0 | R | N | RESERVED | |
| | 1 | 0 | R | N | RESERVED | |
| | 0 | 0 | R | N | RESERVED | |

Table 15. Channel Registers (continued)

| Address (Hex) | BITS | DEFAULT VALUE (Hex) | MODE | EEPROM | FIELD NAME | DESCRIPTION |
|---------------|------|---------------------|------|--------|------------|-------------|
| 72 | 7:5 | 0 | RW | N | RESERVED | |
| | 4 | 0 | R | N | RESERVED | |
| | 3 | 0 | R | N | RESERVED | |
| | 2 | 0 | R | N | RESERVED | |
| | 1 | 0 | R | N | RESERVED | |
| | 0 | 0 | R | N | RESERVED | |
| 73 | 7:5 | 0 | RW | N | RESERVED | |
| | 4 | 0 | R | N | RESERVED | |
| | 3 | 0 | R | N | RESERVED | |
| | 2 | 0 | R | N | RESERVED | |
| | 1 | 0 | R | N | RESERVED | |
| | 0 | 0 | R | N | RESERVED | |
| 74 | 7:5 | 0 | RW | N | RESERVED | |
| | 4 | 0 | R | N | RESERVED | |
| | 3 | 0 | R | N | RESERVED | |
| | 2 | 0 | R | N | RESERVED | |
| | 1 | 0 | R | N | RESERVED | |
| | 0 | 0 | R | N | RESERVED | |
| 75 | 7:5 | 0 | RW | N | RESERVED | |
| | 4 | 0 | R | N | RESERVED | |
| | 3 | 0 | R | N | RESERVED | |
| | 2 | 0 | R | N | RESERVED | |
| | 1 | 0 | R | N | RESERVED | |
| | 0 | 0 | R | N | RESERVED | |

8 Application and Implementation

NOTE

Information in the following applications sections is not part of the TI component specification, and TI does not warrant its accuracy or completeness. TI's customers are responsible for determining suitability of components for their purposes. Customers should validate and test their design implementation to confirm system functionality.

8.1 Application Information

The DS110RT410 is a 4-channel retimer that supports many different data rates and application spaces. The following sections describe the typical use cases and common implementation practices.

8.2 Typical Application

Figure 6 shows a typical system implementation, where the DS110RT410 is used both on the backplane and port side.

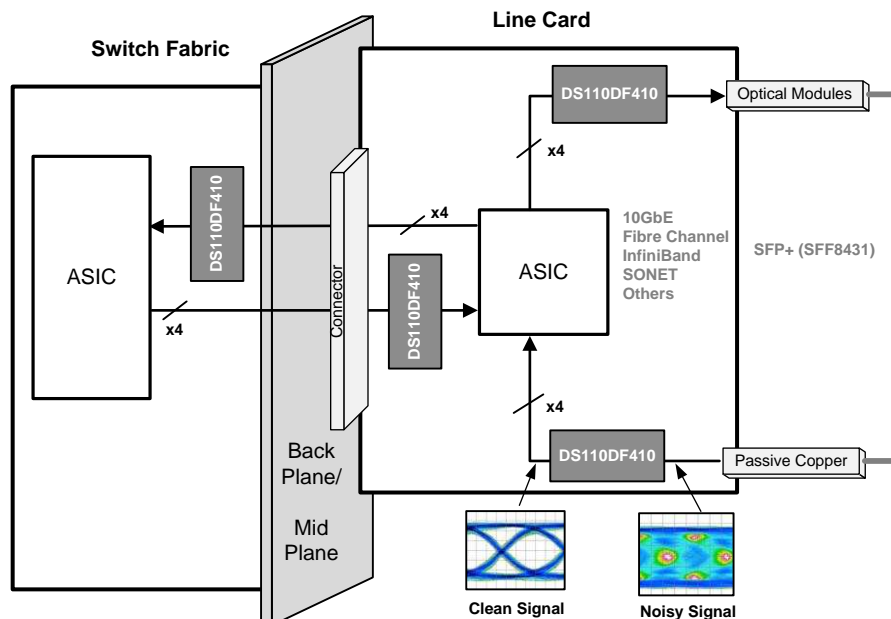


Figure 6. Typical Application Diagram

8.2.1 Design Requirements

This section lists some critical areas for high speed printed circuit board design consideration and study.

- Use 100-Ω differential impedance traces.
- Back-drill connector vias and signal vias to minimize stub length.
- Use reference plane vias to ensure a low inductance path for the return current.
- Place AC-coupling capacitors for the transmitter links near the receiver for that channel.
- The maximum body size for AC-coupling capacitors is 0402.

Typical Application (continued)

8.2.2 Detailed Design Procedure

To begin the design process:

- Determine the maximum power draw for PCB regulator selection. For this calculation, use the maximum transient power supply current specified in the data sheet. The lock time for each channel is typically very short, so this power calculation should not be used for the thermal simulations of the PCB.
- Determine the maximum operational power for thermal calculations. For this calculation, use the Average Power Consumption value in [Electrical Characteristics](#).
- Select a reference clock frequency and routing scheme.
- Plan out channel connectivity. Be sure to note any desired polarity inversion routing in the board schematics.
- Ensure that each device has a unique SMBus address if the control bus is shared with other devices or components.
- Use the IBIS-AMI model for simple channel simulations before PCB layout is complete.

8.2.3 Application Curves

Figure 7 shows a typical output eye diagram for the DS110RT410 operating at 10.3125 Gbps with default VOD of 600 mVp-p and de-emphasis setting of -2 dB.

Figure 8 shows an example of TX de-emphasis for a DS110RT410 operating at 10.3125 Gbps. In this example, the high speed output is configured for 600 mVp-p VOD and de-emphasis is set to -4.5 dB. An 8T pattern is used to evaluate the driver, which consists of 0xFF00.

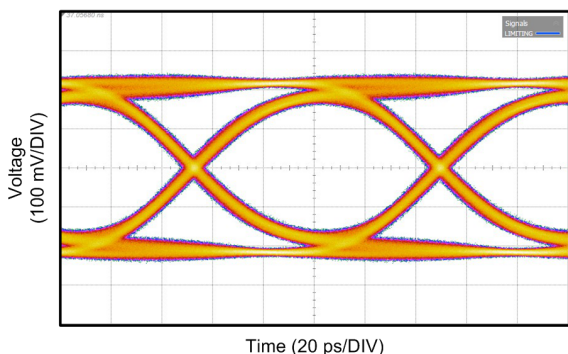


Figure 7. Typical Output Eye Diagram for the DS110RT410 Operating at 10.3125 Gbps with Default VOD of 600 mVp-p and De-emphasis Setting of -2 dB

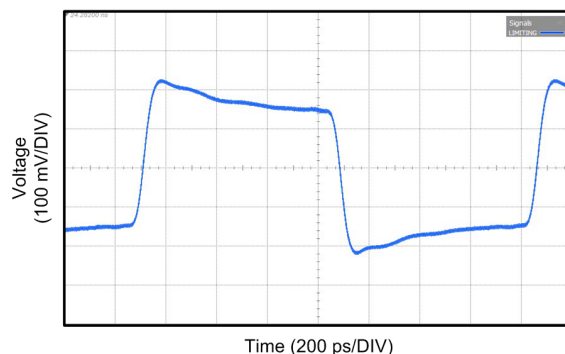


Figure 8. Example Of TX De-emphasis for a DS110RT410 Operating at 10.3125 Gbps

9 Power Supply Recommendations

Figure 9 depicts an example power connections diagram for the DS110RT410. The supply (VDD) and ground (GND) Pins should be connected to power planes routed on adjacent layers of the printed circuit board. The layer thickness of the dielectric should be minimized so that the VDD and GND planes create a low inductance supply with distributed capacitance. Second, careful attention to supply bypassing through the proper use of bypass capacitors is required. A 0.1- μF bypass capacitor should be connected to each VDD Pin such that the capacitor is placed as close as possible to the DS110RT410. Smaller body size capacitors can help facilitate proper component placement. Additionally, capacitor with capacitance in the range of 1 μF to 10 μF should be incorporated in the power supply bypassing design as well. These capacitors can be either tantalum or an ultra-low ESR ceramic.

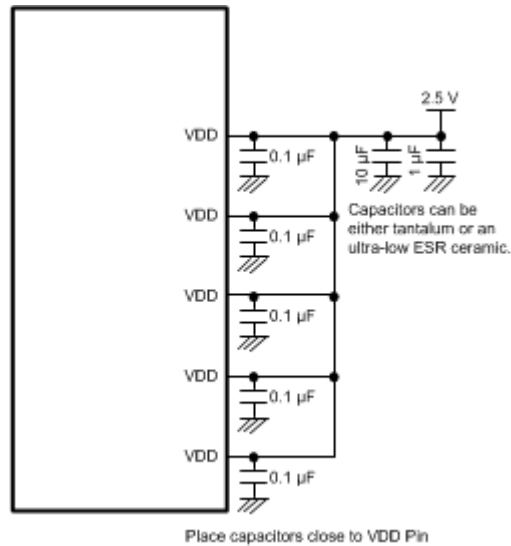


Figure 9. Example Power Connections Diagram for the DS110RT410

10 Layout

10.1 Layout Guidelines

The CML inputs and outputs have been optimized to work with interconnects using a controlled differential impedance of 100 Ω . It is preferable to route differential lines exclusively on one layer of the board, particularly for the input traces. The use of vias should be avoided if possible. If vias must be used, they should be used sparingly and must be placed symmetrically for each side of a given differential pair. Whenever differential vias are used the layout must also provide for a low inductance path for the return currents as well. Route the differential signals away from other signals and noise sources on the printed circuit board. See AN-1187 *Leadless Leadframe Package (LLP) Application Report (SNOA401)* for additional information on QFN (WQFN) packages.

10.2 Layout Example

To minimize the effects of crosstalk, a 5:1 ratio or greater should be maintained between inter-pair spacing.

Figure 10 depicts different transmission line topologies that can be used in various combinations to achieve the optimal system performance. Impedance discontinuities at the differential via can be minimized or eliminated by increasing the swell around each hole and providing for a low inductance return current path. When the via structure is associated with thick backplane PCB, further optimization such as back drilling is often used to reduce the detrimental high frequency effects of stubs on the signal path.

Layout Example (continued)

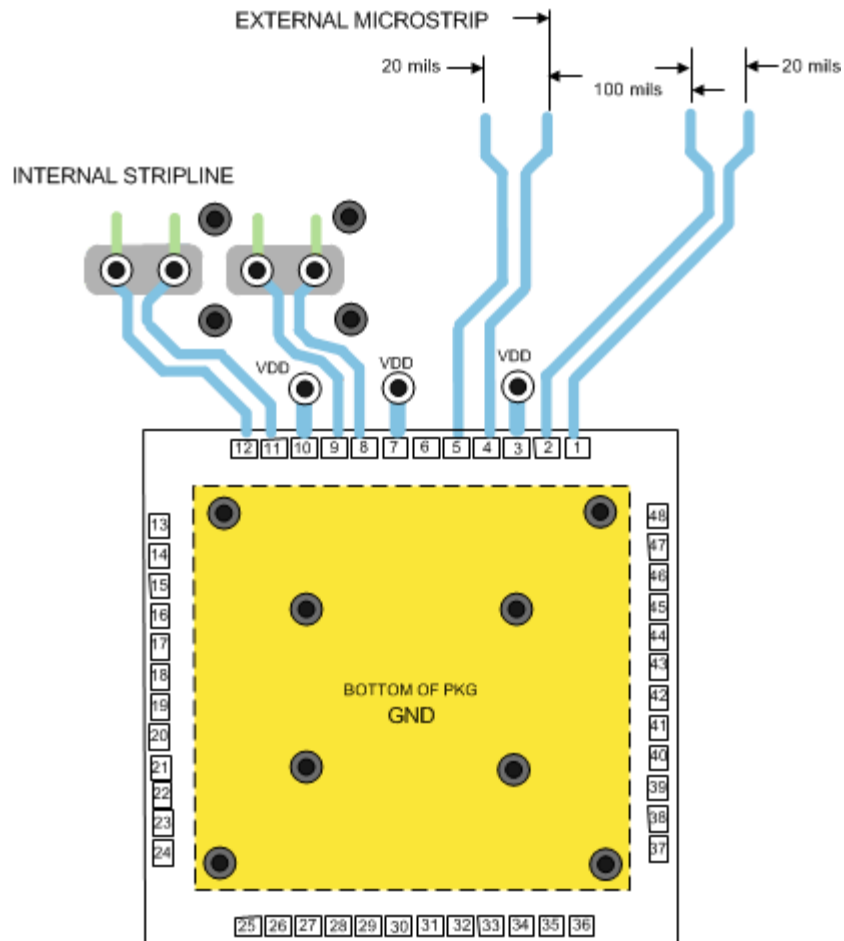


Figure 10. Different Transmission Line Topologies

11 器件和文档支持

11.1 器件支持

11.1.1 Third-Party Products Disclaimer

TI'S PUBLICATION OF INFORMATION REGARDING THIRD-PARTY PRODUCTS OR SERVICES DOES NOT CONSTITUTE AN ENDORSEMENT REGARDING THE SUITABILITY OF SUCH PRODUCTS OR SERVICES OR A WARRANTY, REPRESENTATION OR ENDORSEMENT OF SUCH PRODUCTS OR SERVICES, EITHER ALONE OR IN COMBINATION WITH ANY TI PRODUCT OR SERVICE.

11.2 文档支持

11.2.1 相关文档

相关文档，请参见《与焊接相关的最大绝对额定值》（文献编号：[SNOA549](#)）。

有关 SMBus 规范及其操作说明，请参见 smbus.org/specs/。

有关四方扁平无引线 (QFN) (WQFN) 封装的更多信息，请参见 AN-1187 《无引线框架封装 (LLP) 应用报告》（文献编号：[SNOA401](#)）。

有关 SMBus 主模式的说明，请参见《[DS100DF410EVK](#)、[DS110DF410EVK](#)、[DS125DF410EVM](#) 用户指南》（文献编号：[SNLU126](#)）

11.3 社区资源

The following links connect to TI community resources. Linked contents are provided "AS IS" by the respective contributors. They do not constitute TI specifications and do not necessarily reflect TI's views; see TI's [Terms of Use](#).

TI E2E™ Online Community *TI's Engineer-to-Engineer (E2E) Community*. Created to foster collaboration among engineers. At e2e.ti.com, you can ask questions, share knowledge, explore ideas and help solve problems with fellow engineers.

Design Support *TI's Design Support* Quickly find helpful E2E forums along with design support tools and contact information for technical support.

11.4 商标

E2E is a trademark of Texas Instruments.
All other trademarks are the property of their respective owners.

11.5 静电放电警告



这些装置包含有限的内置 ESD 保护。存储或装卸时，应将导线一起截短或将装置放置于导电泡棉中，以防止 MOS 门极遭受静电损伤。

11.6 Glossary

[SLYZ022](#) — *TI Glossary*.

This glossary lists and explains terms, acronyms, and definitions.

12 机械、封装和可订购信息

以下页中包括机械、封装和可订购信息。 这些信息是针对指定器件可提供的最新数据。 这些数据会在无通知且不对本文档进行修订的情况下发生改变。 欲获得该数据表的浏览器版本，请查阅左侧的导航栏。

PACKAGING INFORMATION

| Orderable Device | Status (1) | Package Type | Package Drawing | Pins | Package Qty | Eco Plan (2) | Lead finish/ Ball material (6) | MSL Peak Temp (3) | Op Temp (°C) | Device Marking (4/5) | Samples |
|--------------------|---------------|--------------|-----------------|------|-------------|-----------------|--------------------------------------|----------------------|--------------|-------------------------|-------------------------|
| DS110RT410SQ/NOPB | ACTIVE | WQFN | RHS | 48 | 1000 | RoHS & Green | SN | Level-3-260C-168 HR | -40 to 85 | 110R410AB | Samples |
| DS110RT410SQE/NOPB | ACTIVE | WQFN | RHS | 48 | 250 | RoHS & Green | SN | Level-3-260C-168 HR | -40 to 85 | 110R410AB | Samples |

(1) The marketing status values are defined as follows:

ACTIVE: Product device recommended for new designs.

LIFEBUY: TI has announced that the device will be discontinued, and a lifetime-buy period is in effect.

NRND: Not recommended for new designs. Device is in production to support existing customers, but TI does not recommend using this part in a new design.

PREVIEW: Device has been announced but is not in production. Samples may or may not be available.

OBSELETE: TI has discontinued the production of the device.

(2) **RoHS:** TI defines "RoHS" to mean semiconductor products that are compliant with the current EU RoHS requirements for all 10 RoHS substances, including the requirement that RoHS substance do not exceed 0.1% by weight in homogeneous materials. Where designed to be soldered at high temperatures, "RoHS" products are suitable for use in specified lead-free processes. TI may reference these types of products as "Pb-Free".

RoHS Exempt: TI defines "RoHS Exempt" to mean products that contain lead but are compliant with EU RoHS pursuant to a specific EU RoHS exemption.

Green: TI defines "Green" to mean the content of Chlorine (Cl) and Bromine (Br) based flame retardants meet JS709B low halogen requirements of <=1000ppm threshold. Antimony trioxide based flame retardants must also meet the <=1000ppm threshold requirement.

(3) MSL, Peak Temp. - The Moisture Sensitivity Level rating according to the JEDEC industry standard classifications, and peak solder temperature.

(4) There may be additional marking, which relates to the logo, the lot trace code information, or the environmental category on the device.

(5) Multiple Device Markings will be inside parentheses. Only one Device Marking contained in parentheses and separated by a "~" will appear on a device. If a line is indented then it is a continuation of the previous line and the two combined represent the entire Device Marking for that device.

(6) Lead finish/Ball material - Orderable Devices may have multiple material finish options. Finish options are separated by a vertical ruled line. Lead finish/Ball material values may wrap to two lines if the finish value exceeds the maximum column width.

Important Information and Disclaimer:The information provided on this page represents TI's knowledge and belief as of the date that it is provided. TI bases its knowledge and belief on information provided by third parties, and makes no representation or warranty as to the accuracy of such information. Efforts are underway to better integrate information from third parties. TI has taken and continues to take reasonable steps to provide representative and accurate information but may not have conducted destructive testing or chemical analysis on incoming materials and chemicals. TI and TI suppliers consider certain information to be proprietary, and thus CAS numbers and other limited information may not be available for release.

In no event shall TI's liability arising out of such information exceed the total purchase price of the TI part(s) at issue in this document sold by TI to Customer on an annual basis.

TAPE AND REEL INFORMATION

QUADRANT ASSIGNMENTS FOR PIN 1 ORIENTATION IN TAPE

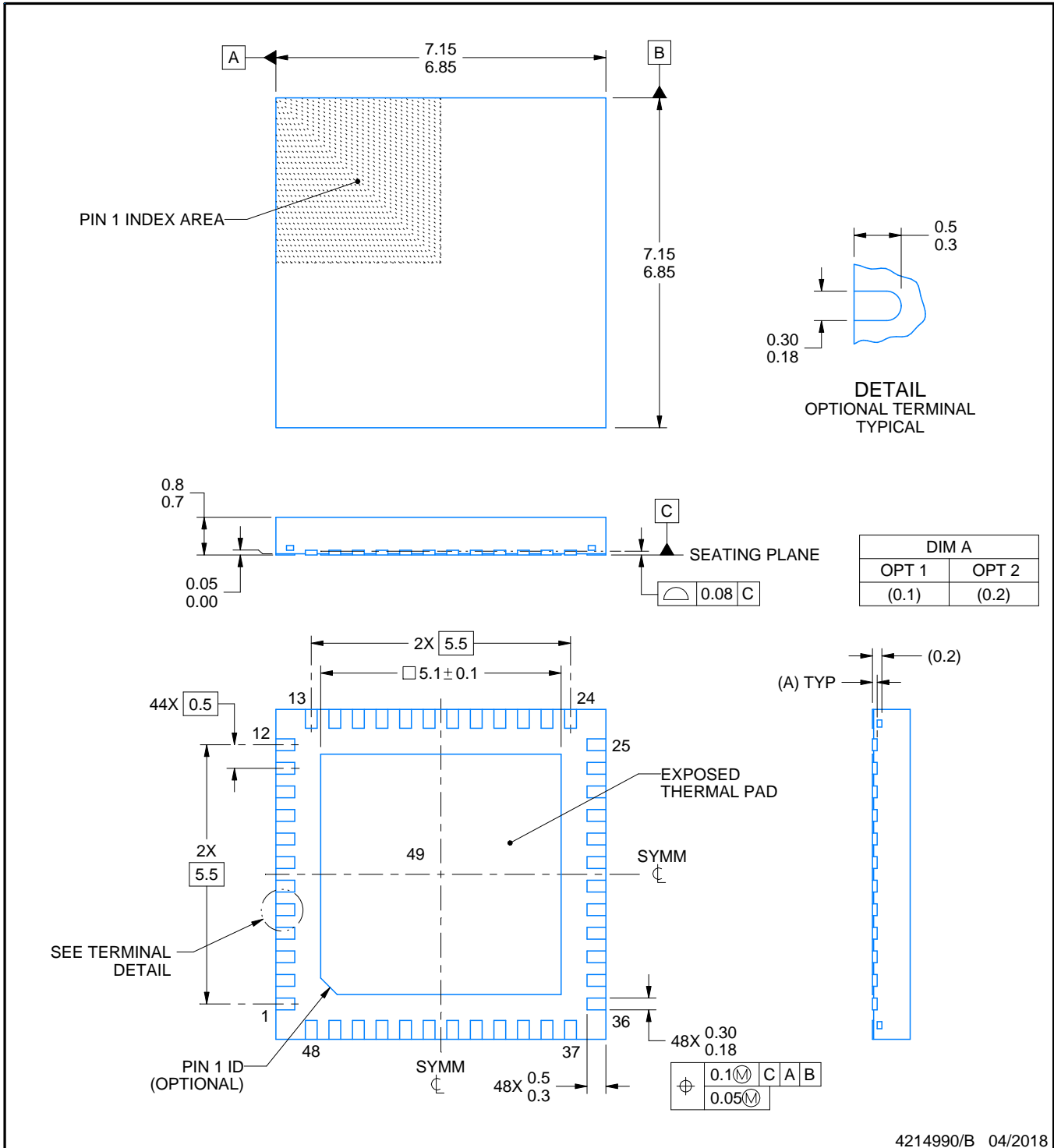
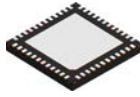

*All dimensions are nominal

| Device | Package Type | Package Drawing | Pins | SPQ | Reel Diameter (mm) | Reel Width W1 (mm) | A0 (mm) | B0 (mm) | K0 (mm) | P1 (mm) | W (mm) | Pin1 Quadrant |
|--------------------|--------------|-----------------|------|------|--------------------|--------------------|---------|---------|---------|---------|--------|---------------|
| DS110RT410SQ/NOPB | WQFN | RHS | 48 | 1000 | 330.0 | 16.4 | 7.3 | 7.3 | 1.3 | 12.0 | 16.0 | Q1 |
| DS110RT410SQE/NOPB | WQFN | RHS | 48 | 250 | 178.0 | 16.4 | 7.3 | 7.3 | 1.3 | 12.0 | 16.0 | Q1 |

TAPE AND REEL BOX DIMENSIONS


*All dimensions are nominal

| Device | Package Type | Package Drawing | Pins | SPQ | Length (mm) | Width (mm) | Height (mm) |
|--------------------|--------------|-----------------|------|------|-------------|------------|-------------|
| DS110RT410SQ/NOPB | WQFN | RHS | 48 | 1000 | 356.0 | 356.0 | 35.0 |
| DS110RT410SQE/NOPB | WQFN | RHS | 48 | 250 | 208.0 | 191.0 | 35.0 |



4214990/B 04/2018

NOTES:

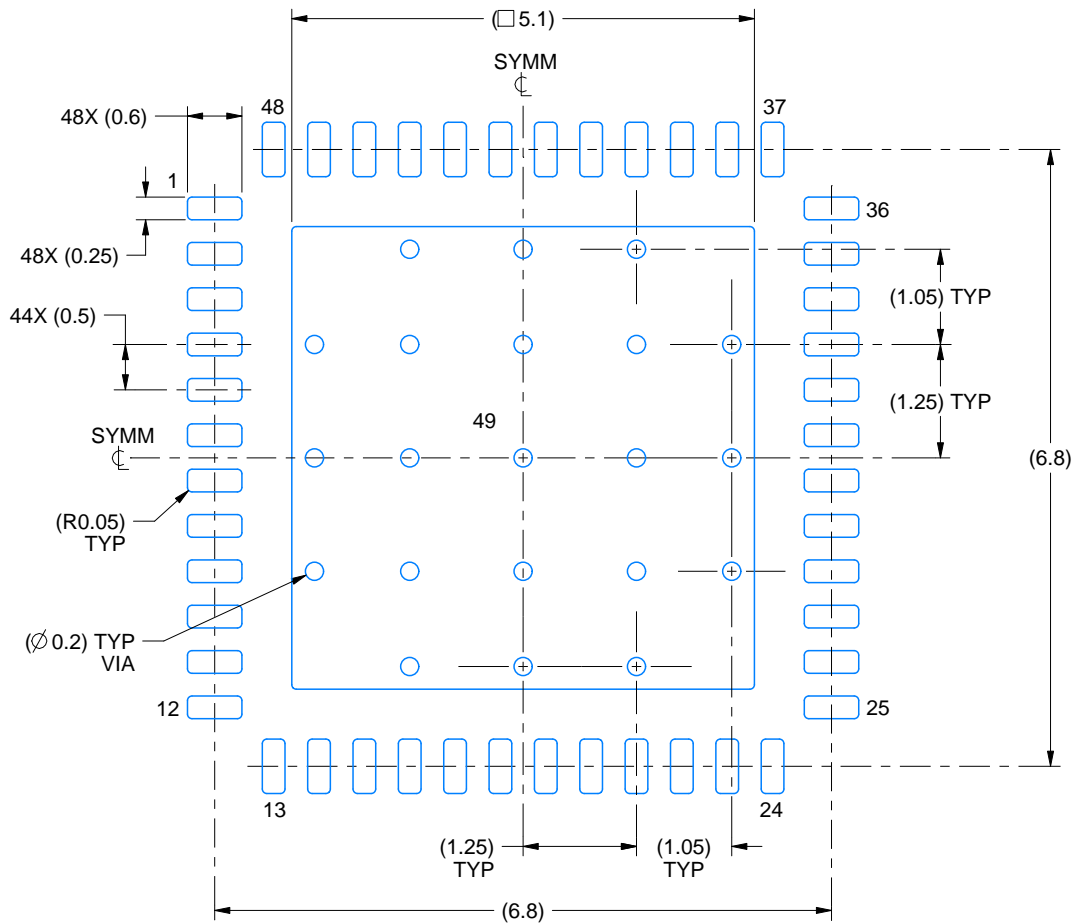
1. All linear dimensions are in millimeters. Any dimensions in parenthesis are for reference only. Dimensioning and tolerancing per ASME Y14.5M.
2. This drawing is subject to change without notice.
3. The package thermal pad must be soldered to the printed circuit board for thermal and mechanical performance.

EXAMPLE BOARD LAYOUT

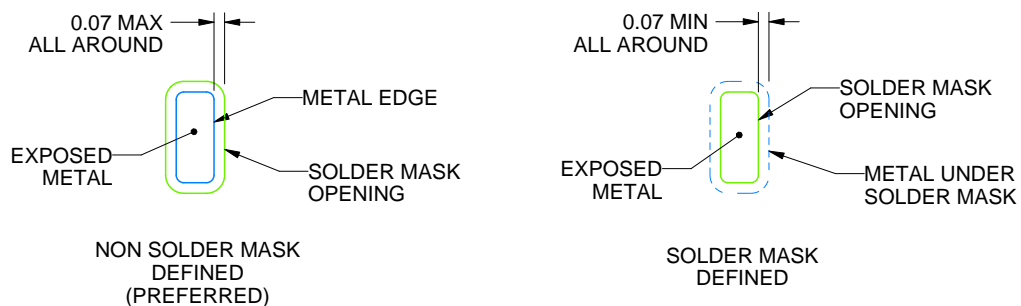
RHS0048A

WQFN - 0.8 mm max height

PLASTIC QUAD FLATPACK - NO LEAD



LAND PATTERN EXAMPLE
EXPOSED METAL SHOWN
SCALE:12X



SOLDER MASK DETAILS

4214990/B 04/2018

NOTES: (continued)

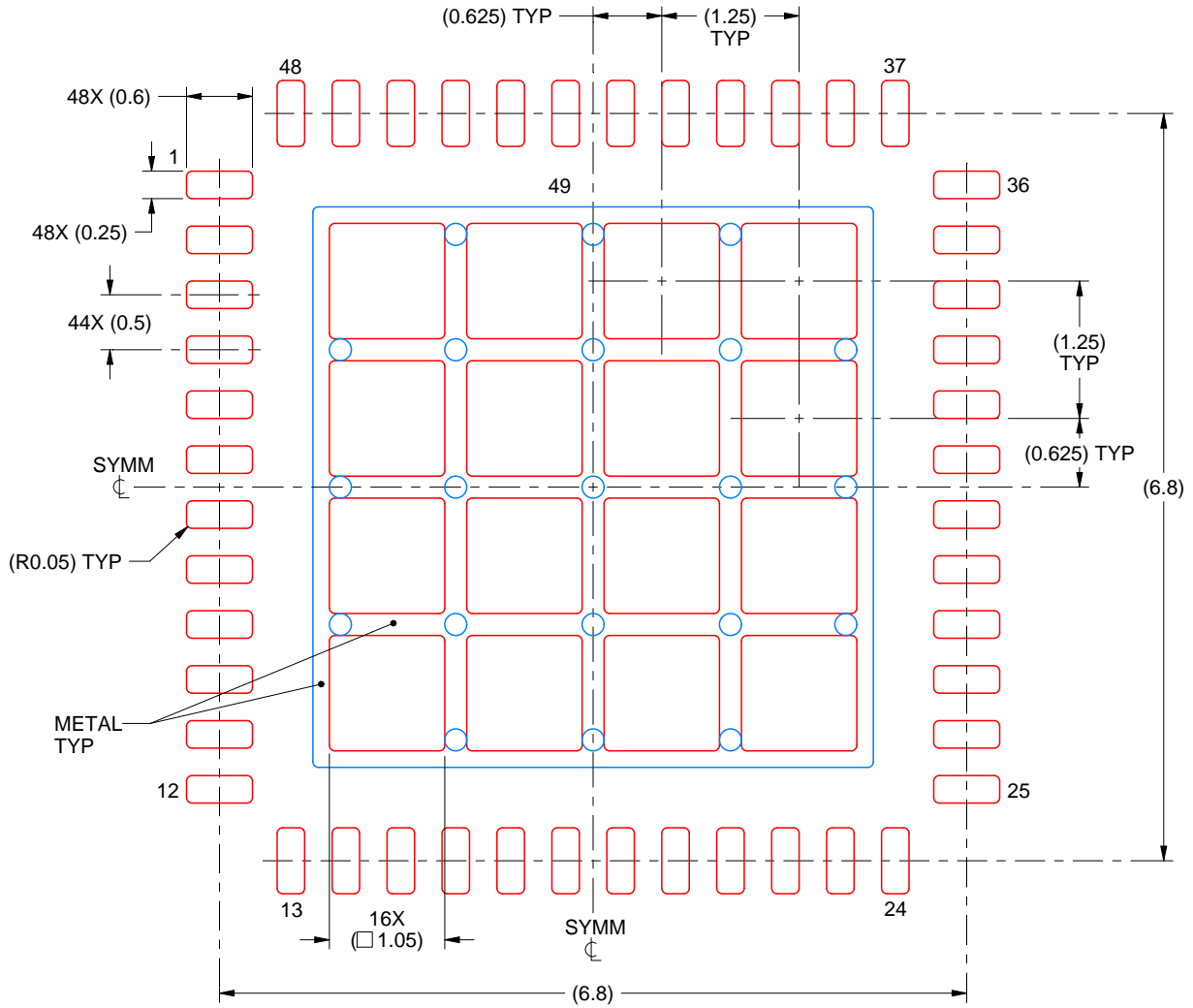
4. This package is designed to be soldered to a thermal pad on the board. For more information, see Texas Instruments literature number SLUA271 (www.ti.com/lit/slua271).
5. Vias are optional depending on application, refer to device data sheet. If any vias are implemented, refer to their locations shown on this view. It is recommended that vias under paste be filled, plugged or tented.

EXAMPLE STENCIL DESIGN

RHS0048A

WQFN - 0.8 mm max height

PLASTIC QUAD FLATPACK - NO LEAD



SOLDER PASTE EXAMPLE
 BASED ON 0.125 mm THICK STENCIL

EXPOSED PAD 49
 68% PRINTED SOLDER COVERAGE BY AREA UNDER PACKAGE
 SCALE:15X

4214990/B 04/2018

NOTES: (continued)

6. Laser cutting apertures with trapezoidal walls and rounded corners may offer better paste release. IPC-7525 may have alternate design recommendations.

重要声明和免责声明

TI“按原样”提供技术和可靠性数据（包括数据表）、设计资源（包括参考设计）、应用或其他设计建议、网络工具、安全信息和其他资源，不保证没有瑕疵且不做任何明示或暗示的担保，包括但不限于对适销性、某特定用途方面的适用性或不侵犯任何第三方知识产权的暗示担保。

这些资源可供使用 TI 产品进行设计的熟练开发人员使用。您将自行承担以下全部责任：(1) 针对您的应用选择合适的 TI 产品，(2) 设计、验证并测试您的应用，(3) 确保您的应用满足相应标准以及任何其他功能安全、信息安全、监管或其他要求。

这些资源如有变更，恕不另行通知。TI 授权您仅可将这些资源用于研发本资源所述的 TI 产品的应用。严禁对这些资源进行其他复制或展示。您无权使用任何其他 TI 知识产权或任何第三方知识产权。您应全额赔偿因在这些资源的使用中对 TI 及其代表造成的任何索赔、损害、成本、损失和债务，TI 对此概不负责。

TI 提供的产品受 [TI 的销售条款](#) 或 [ti.com](#) 上其他适用条款/TI 产品随附的其他适用条款的约束。TI 提供这些资源并不会扩展或以其他方式更改 TI 针对 TI 产品发布的适用的担保或担保免责声明。

TI 反对并拒绝您可能提出的任何其他或不同的条款。

邮寄地址：Texas Instruments, Post Office Box 655303, Dallas, Texas 75265

Copyright © 2022，德州仪器 (TI) 公司