

SN74LV540A Octal Buffers/Drivers with 3-State Outputs

1 Features

- 2-V to 5.5-V V_{CC} Operation
- Max t_{pd} of 8.5 ns at 5 V
- Typical V_{OLP} (Output Ground Bounce) < 0.8 V at $V_{CC} = 3.3$ V, $T_A = 25^\circ\text{C}$
- Typical V_{OHV} (Output V_{OH} Undershoot) > 2.3 V at $V_{CC} = 3.3$ V, $T_A = 25^\circ\text{C}$
- Support Mixed-Mode Voltage Operation on All Ports
- I_{off} Supports Partial-Power-Down Mode Operation
- Latch-Up Performance Exceeds 250 mA Per JESD 17
- ESD Protection Exceeds JESD 22
 - 2000-V Human-Body Model
 - 200-V Machine Model
 - 2000-V Charged-Device Model

2 Applications

- Tests and Measurements
- Industrial Transports
- Patient Monitoring
- Wireless Infrastructure
- Network Switches
- Automotive Infotainment

3 Description

The SN74LV540A device is an octal buffer/driver designed for 2-V to 5.5-V V_{CC} operation.

This device is ideal for driving bus lines or buffer memory address registers. It features inputs and outputs on opposite sides of the package to facilitate printed circuit board layout.

Device Information⁽¹⁾

| PART NUMBER | PACKAGE | BODY SIZE (NOM) |
|-------------|------------|-----------------|
| SN74LV540A | VQFN (20) | 4.50 x 3.50 mm |
| | SSOP (20) | 7.50 x 5.30 mm |
| | TSSOP (20) | 6.50 x 4.40 mm |
| | TVSOP (20) | 5.00 x 4.40 mm |
| | SOIC (20) | 12.80 x 7.50 mm |

(1) For all available packages, see the orderable addendum at the end of the data sheet.

4 Simplified Schematic

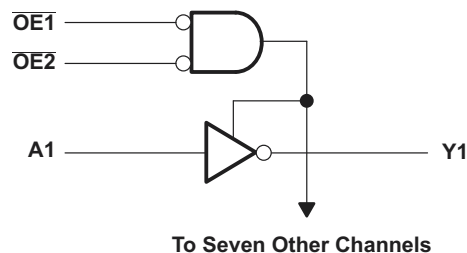


Table of Contents

| | | | |
|---|----------|--|-----------|
| 1 Features | 1 | 9 Detailed Description | 9 |
| 2 Applications | 1 | 9.1 Overview | 9 |
| 3 Description | 1 | 9.2 Functional Block Diagram | 9 |
| 4 Simplified Schematic | 1 | 9.3 Feature Description | 9 |
| 5 Revision History | 2 | 9.4 Device Functional Modes | 9 |
| 6 Pin Configuration and Functions | 3 | 10 Application and Implementation | 10 |
| 7 Specifications | 4 | 10.1 Application Information | 10 |
| 7.1 Absolute Maximum Ratings | 4 | 10.2 Typical Application | 10 |
| 7.2 ESD Ratings | 4 | 11 Power Supply Recommendations | 11 |
| 7.3 Recommended Operating Conditions | 5 | 12 Layout | 12 |
| 7.4 Thermal Information | 5 | 12.1 Layout Guidelines | 12 |
| 7.5 Electrical Characteristics | 6 | 12.2 Layout Example | 12 |
| 7.6 Switching Characteristics, $V_{CC} = 2.5\text{ V} \pm 0.2\text{ V}$ | 6 | 13 Device and Documentation Support | 12 |
| 7.7 Switching Characteristics, $V_{CC} = 3.3\text{ V} \pm 0.3\text{ V}$ | 6 | 13.1 Related Links | 12 |
| 7.8 Switching Characteristics, $V_{CC} = 5\text{ V} \pm 0.5\text{ V}$ | 7 | 13.2 Trademarks | 12 |
| 7.9 Noise Characteristics | 7 | 13.3 Electrostatic Discharge Caution | 12 |
| 7.10 Operating Characteristics | 7 | 13.4 Glossary | 12 |
| 7.11 Typical Characteristics | 7 | 14 Mechanical, Packaging, and Orderable Information | 12 |
| 8 Parameter Measurement Information | 8 | | |

5 Revision History

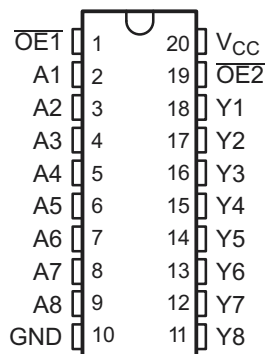
Changes from Revision H (April 2005) to Revision I

Page

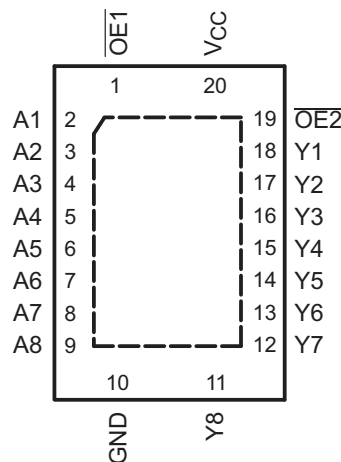
| | |
|---|-----------------|
| <ul style="list-style-type: none"> Added <i>Applications</i>, <i>Device Information</i> table, <i>Pin Functions</i> table, <i>ESD Ratings</i> table, <i>Thermal Information</i> table, <i>Typical Characteristics</i>, <i>Feature Description</i> section, <i>Device Functional Modes</i>, <i>Application and Implementation</i> section, <i>Power Supply Recommendations</i> section, <i>Layout</i> section, <i>Device and Documentation Support</i> section, and <i>Mechanical, Packaging, and Orderable Information</i> section. Deleted <i>Ordering Information</i> table. Changed MAX operating temperature to 125°C in <i>Recommended Operating Conditions</i> table. | 1 1 5 |
|---|-----------------|

6 Pin Configuration and Functions

SN74LV540A . . . DB, DGV, DW, NS,
OR PW PACKAGE
(TOP VIEW)



SN74LV540A . . . RGY PACKAGE
(TOP VIEW)



Pin Functions

| PIN | | TYPE | DESCRIPTION |
|-----|------|------|-----------------|
| NO. | NAME | | |
| 1 | OE1 | I | Output Enable 1 |
| 2 | A1 | I | A1 Input |
| 3 | A2 | I | A2 Input |
| 4 | A3 | I | A3 Input |
| 5 | A4 | I | A4 Input |
| 6 | A5 | I | A5 Input |
| 7 | A6 | I | A6 Input |
| 8 | A7 | I | A7 Input |
| 9 | A8 | I | A8 Input |
| 10 | GND | — | Ground Pin |
| 11 | Y8 | O | Y8 Output |
| 12 | Y7 | O | Y7 Output |
| 13 | Y6 | O | Y6 Output |
| 14 | Y5 | O | Y5 Output |
| 15 | Y4 | O | Y4 Output |
| 16 | Y3 | O | Y3 Output |
| 17 | Y2 | O | Y2 Output |
| 18 | Y1 | O | Y1 Output |
| 19 | OE2 | I | Output Enable 2 |
| 20 | VCC | — | Power Pin |

7 Specifications

7.1 Absolute Maximum Ratings

over operating free-air temperature range (unless otherwise noted)⁽¹⁾

| | | MIN | MAX | UNIT |
|-----------|---|-----------------------|----------------|------|
| V_{CC} | Supply voltage range | -0.5 | 7 | V |
| V_I | Input voltage range ⁽²⁾ | -0.5 | 7 | V |
| V_O | Voltage range applied to any output in the high-impedance or power-off state ⁽²⁾ | -0.5 | 7 | V |
| V_O | Output voltage range applied in the high or low state ⁽²⁾⁽³⁾ | -0.5 | $V_{CC} + 0.5$ | V |
| I_{IK} | Input clamp current | $V_I < 0$ | -20 | mA |
| I_{OK} | Output clamp current | $V_O < 0$ | -50 | mA |
| I_O | Continuous output current | $V_O = 0$ to V_{CC} | ± 35 | mA |
| | Continuous current through V_{CC} or GND | | ± 70 | mA |
| T_{stg} | Storage temperature range | -65 | 150 | °C |

- (1) Stresses beyond those listed under *Absolute Maximum Ratings* may cause permanent damage to the device. These are stress ratings only, and functional operation of the device at these or any other conditions beyond those indicated under *Recommended Operating Conditions* is not implied. Exposure to absolute-maximum-rated conditions for extended periods may affect device reliability.
- (2) The input and output negative-voltage ratings may be exceeded if the input and output current ratings are observed.
- (3) This value is limited to 5.5-V maximum.

7.2 ESD Ratings

| | | VALUE | UNIT |
|-------------|-------------------------|--|------|
| $V_{(ESD)}$ | Electrostatic discharge | Human body model (HBM), per ANSI/ESDA/JEDEC JS-001, all pins ⁽¹⁾ | 2000 |
| | | Charged device model (CDM), per JEDEC specification JESD22-C101, all pins ⁽²⁾ | 2000 |
| | | Machine Model (MM) | 200 |

- (1) JEDEC document JEP155 states that 500-V HBM allows safe manufacturing with a standard ESD control process.
- (2) JEDEC document JEP157 states that 250-V CDM allows safe manufacturing with a standard ESD control process.

7.3 Recommended Operating Conditions

 over operating free-air temperature range (unless otherwise noted)⁽¹⁾

| | | SN74LV540A | | UNIT |
|-----------------|------------------------------------|----------------------------------|-----------------------|-----------------|
| | | MIN | MAX | |
| V _{CC} | Supply voltage | 2 | 5.5 | V |
| V _{IH} | High-level input voltage | V _{CC} = 2 V | 1.5 | V |
| | | V _{CC} = 2.3 V to 2.7 V | V _{CC} × 0.7 | |
| | | V _{CC} = 3 V to 3.6 V | V _{CC} × 0.7 | |
| | | V _{CC} = 4.5 V to 5.5 V | V _{CC} × 0.7 | |
| V _{IL} | Low-level input voltage | V _{CC} = 2 V | 0.5 | V |
| | | V _{CC} = 2.3 V to 2.7 V | V _{CC} × 0.3 | |
| | | V _{CC} = 3 V to 3.6 V | V _{CC} × 0.3 | |
| | | V _{CC} = 4.5 V to 5.5 V | V _{CC} × 0.3 | |
| V _I | Input voltage | 0 | 5.5 | V |
| V _O | Output voltage | High or low state | 0 | V _{CC} |
| | | 3-state | 0 | 5.5 |
| I _{OH} | High-level output current | V _{CC} = 2 V | –50 | μA |
| | | V _{CC} = 2.3 V to 2.7 V | –2 | mA |
| | | V _{CC} = 3 V to 3.6 V | –8 | |
| | | V _{CC} = 4.5 V to 5.5 V | –16 | |
| I _{OL} | Low-level output current | V _{CC} = 2 V | 50 | μA |
| | | V _{CC} = 2.3 V to 2.7 V | 2 | mA |
| | | V _{CC} = 3 V to 3.6 V | 8 | |
| | | V _{CC} = 4.5 V to 5.5 V | 16 | |
| Δt/Δv | Input transition rise or fall rate | V _{CC} = 2.3 V to 2.7 V | 200 | ns/V |
| | | V _{CC} = 3 V to 3.6 V | 100 | |
| | | V _{CC} = 4.5 V to 5.5 V | 20 | |
| T _A | Operating free-air temperature | –40 | 125 | °C |

(1) All unused inputs of the device must be held at V_{CC} or GND to ensure proper device operation. Refer to the TI application report, *Implications of Slow or Floating CMOS Inputs (SCBA004)*.

7.4 Thermal Information

| THERMAL METRIC ⁽¹⁾ | | SN74LV540A | | | | | | UNIT |
|-------------------------------|--|------------|-------|------|------|-------|------|------|
| | | DB | DGV | DW | NS | PW | RGY | |
| | | 20 PINS | | | | | | |
| R _{θJA} | Junction-to-ambient thermal resistance | 96.0 | 116.1 | 79.8 | 77.1 | 102.8 | 35.1 | °C/W |
| R _{θJC(top)} | Junction-to-case (top) thermal resistance | 57.7 | 31.3 | 45.8 | 43.6 | 36.8 | 43.3 | |
| R _{θJB} | Junction-to-board thermal resistance | 51.2 | 57.6 | 47.4 | 44.6 | 53.8 | 12.9 | |
| Ψ _{JT} | Junction-to-top characterization parameter | 19.4 | 1.0 | 18.5 | 17.2 | 2.5 | 0.9 | |
| Ψ _{JB} | Junction-to-board characterization parameter | 50.8 | 56.9 | 47.0 | 44.2 | 53.3 | 12.9 | |
| R _{θJC(bot)} | Junction-to-case (bottom) thermal resistance | — | — | — | — | — | 7.9 | |

(1) For more information about traditional and new thermal metrics, see the *IC Package Thermal Metrics* application report (SPRA953).

7.5 Electrical Characteristics

over recommended operating free-air temperature range (unless otherwise noted)

| PARAMETER | TEST CONDITIONS | V _{CC} | T _A = 25°C | | | –40°C to 85°C | | –40°C to 125°C | | UNIT |
|------------------|---|-----------------|-----------------------|-----|-----|-----------------------|-----|-----------------------|-----|------|
| | | | MIN | TYP | MAX | MIN | MAX | MIN | MAX | |
| V _{OH} | I _{OH} = –50 μA | 2 V to 5.5 V | V _{CC} – 0.1 | | | V _{CC} – 0.1 | | V _{CC} – 0.1 | | V |
| | I _{OH} = –2 mA | 2.3 V | 2 | | | 2 | | 2 | | |
| | I _{OH} = –8 mA | 3 V | 2.48 | | | 2.48 | | 2.48 | | |
| | I _{OH} = –16 mA | 4.5 V | 3.8 | | | 3.8 | | 3.8 | | |
| V _{OL} | I _{OL} = 50 μA | 2 V to 5.5 V | 0.1 | | | 0.1 | | 0.1 | | V |
| | I _{OL} = 2 mA | 2.3 V | 0.4 | | | 0.4 | | 0.4 | | |
| | I _{OL} = 8 mA | 3 V | 0.44 | | | 0.44 | | 0.44 | | |
| | I _{OL} = 16 mA | 4.5 V | 0.55 | | | 0.55 | | 0.55 | | |
| I _I | V _I = 5.5 V or GND | 0 to 5.5 V | ±1 | | | ±1 | | ±1 | | μA |
| I _{OZ} | V _O = V _{CC} or GND | 5.5 V | ±5 | | | ±5 | | ±5 | | μA |
| I _{CC} | V _I = V _{CC} or GND, I _O = 0 | 5.5 V | 20 | | | 20 | | 20 | | μA |
| I _{off} | V _I or V _O = 0 to 5.5 V | 0 | 5 | | | 5 | | 5 | | μA |
| C _i | V _I = V _{CC} or GND | 3.3 V | 2.5 | | | | | | | pF |
| | | 5 V | 2.5 | | | | | | | |

7.6 Switching Characteristics, V_{CC} = 2.5 V ± 0.2 V

 over recommended operating free-air temperature range (unless otherwise noted) (see [Figure 3](#))

| PARAMETER | FROM (INPUT) | TO (OUTPUT) | LOAD CAPACITANCE | T _A = 25°C | | | –40°C to 85°C | | –40°C to 125°C | | UNIT |
|--------------------|-----------------|-------------|------------------------|-----------------------|---------------------|-----|---------------|-----|----------------|-----|------|
| | | | | MIN | TYP | MAX | MIN | MAX | MIN | MAX | |
| t _{pd} | A | Y | C _L = 15 pF | 5.6 ⁽¹⁾ | 12 ⁽¹⁾ | 1 | 14.5 | 1 | 16 | ns | |
| t _{en} | \overline{OE} | Y | | 7.8 ⁽¹⁾ | 17.4 ⁽¹⁾ | 1 | 21 | 1 | 22.5 | | |
| t _{dis} | \overline{OE} | Y | | 5.7 ⁽¹⁾ | 16 ⁽¹⁾ | 1 | 19 | 1 | 20 | | |
| t _{pd} | A | Y | C _L = 50 pF | 7.9 | 16.8 | 1 | 18.5 | 1 | 20 | ns | |
| t _{en} | \overline{OE} | Y | | 10.1 | 22.2 | 1 | 25.5 | 1 | 27 | | |
| t _{dis} | \overline{OE} | Y | | 8.1 | 22.3 | 1 | 25.5 | 1 | 26.5 | | |
| t _{sk(o)} | | | | | | 2 | | 2 | 3 | | |

(1) On products compliant to MIL-PRF-38535, this parameter is not production tested.

7.7 Switching Characteristics, V_{CC} = 3.3 V ± 0.3 V

 over recommended operating free-air temperature range (unless otherwise noted) (see [Figure 3](#))

| PARAMETER | FROM (INPUT) | TO (OUTPUT) | LOAD CAPACITANCE | T _A = 25°C | | | –40°C to 85°C | | –40°C to 125°C | | UNIT |
|--------------------|-----------------|-------------|------------------------|-----------------------|---------------------|-----|---------------|-----|----------------|-----|------|
| | | | | MIN | TYP | MAX | MIN | MAX | MIN | MAX | |
| t _{pd} | A | Y | C _L = 15 pF | 4.1 ⁽¹⁾ | 7 ⁽¹⁾ | 1 | 8.5 | 1 | 9.5 | ns | |
| t _{en} | \overline{OE} | Y | | 5.6 ⁽¹⁾ | 10.5 ⁽¹⁾ | 1 | 12.5 | 1 | 14 | | |
| t _{dis} | \overline{OE} | Y | | 4.2 ⁽¹⁾ | 10.5 ⁽¹⁾ | 1 | 12.5 | 1 | 13.5 | | |
| t _{pd} | A | Y | C _L = 50 pF | 5.8 | 10.5 | 1 | 12 | 1 | 13 | ns | |
| t _{en} | \overline{OE} | Y | | 7.3 | 14 | 1 | 16 | 1 | 17.5 | | |
| t _{dis} | \overline{OE} | Y | | 5.8 | 15.4 | 1 | 17.5 | 1 | 18.5 | | |
| t _{sk(o)} | | | | | | 1.5 | | 1.5 | 2 | | |

(1) On products compliant to MIL-PRF-38535, this parameter is not production tested.

7.8 Switching Characteristics, $V_{CC} = 5\text{ V} \pm 0.5\text{ V}$

over recommended operating free-air temperature range (unless otherwise noted) (see Figure 3)

| PARAMETER | FROM (INPUT) | TO (OUTPUT) | LOAD CAPACITANCE | $T_A = 25^\circ\text{C}$ | | | $-40^\circ\text{C to } 85^\circ\text{C}$ | | $-40^\circ\text{C to } 125^\circ\text{C}$ | | UNIT |
|-------------|------------------------|-------------|----------------------|--------------------------|--------------------|-----|--|------|---|------|------|
| | | | | MIN | TYP | MAX | MIN | MAX | MIN | MAX | |
| t_{pd} | A | Y | $C_L = 15\text{ pF}$ | 3 ⁽¹⁾ | 5 ⁽¹⁾ | | 1 | 6 | 1 | 7 | ns |
| t_{en} | $\overline{\text{OE}}$ | Y | | 4.1 ⁽¹⁾ | 7.2 ⁽¹⁾ | | 1 | 8.5 | 1 | | |
| t_{dis} | $\overline{\text{OE}}$ | Y | | 2.9 ⁽¹⁾ | 7 ⁽¹⁾ | | 1 | 8 | 1 | 9 | |
| t_{pd} | A | Y | $C_L = 50\text{ pF}$ | 4.2 | 7 | | 1 | 8 | 1 | 9 | ns |
| t_{en} | $\overline{\text{OE}}$ | Y | | 5.3 | 9.2 | | 1 | 10.5 | 1 | 11.5 | |
| t_{dis} | $\overline{\text{OE}}$ | Y | | 3.5 | 8.8 | | 1 | 10 | 1 | 11 | |
| $t_{sk(o)}$ | | | | | | | | 1 | | 1.5 | |

(1) On products compliant to MIL-PRF-38535, this parameter is not production tested.

7.9 Noise Characteristics⁽¹⁾

$V_{CC} = 3.3\text{ V}$, $C_L = 50\text{ pF}$, $T_A = 25^\circ\text{C}$

| PARAMETER | DESCRIPTION | SN74LV540A | | | UNIT |
|-------------|--|------------|------|------|------|
| | | MIN | TYP | MAX | |
| $V_{OL(P)}$ | Quiet output, maximum dynamic V_{OL} | | 0.5 | 0.8 | V |
| $V_{OL(V)}$ | Quiet output, minimum dynamic V_{OL} | | -0.3 | -0.8 | V |
| $V_{OH(V)}$ | Quiet output, minimum dynamic V_{OH} | | 3 | | V |
| $V_{IH(D)}$ | High-level dynamic input voltage | 2.3 | | | V |
| $V_{IL(D)}$ | Low-level dynamic input voltage | | | 0.97 | V |

(1) Characteristics are for surface-mount packages only.

7.10 Operating Characteristics

$T_A = 25^\circ\text{C}$

| PARAMETER | TEST CONDITIONS | V_{CC} | TYP | UNIT |
|--|-----------------|----------|-----|------|
| C_{pd} Power dissipation capacitance | Outputs enabled | 3.3 V | 10 | pF |
| | Outputs enabled | 5 V | 11 | |

7.11 Typical Characteristics

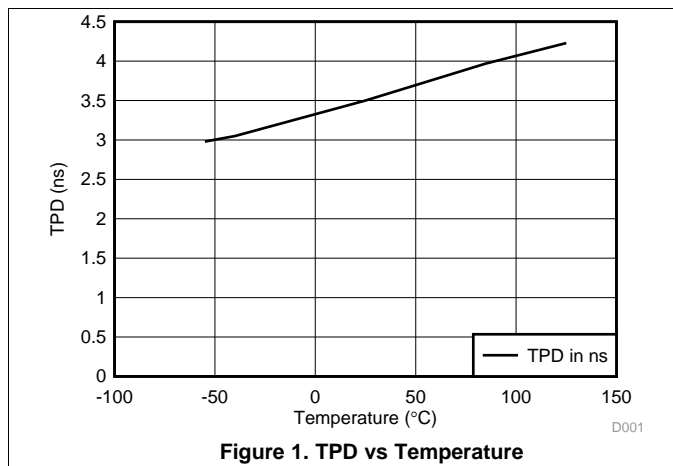


Figure 1. TPD vs Temperature

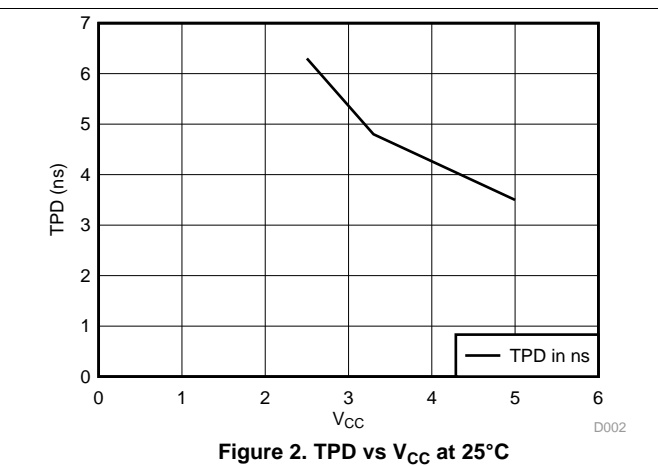
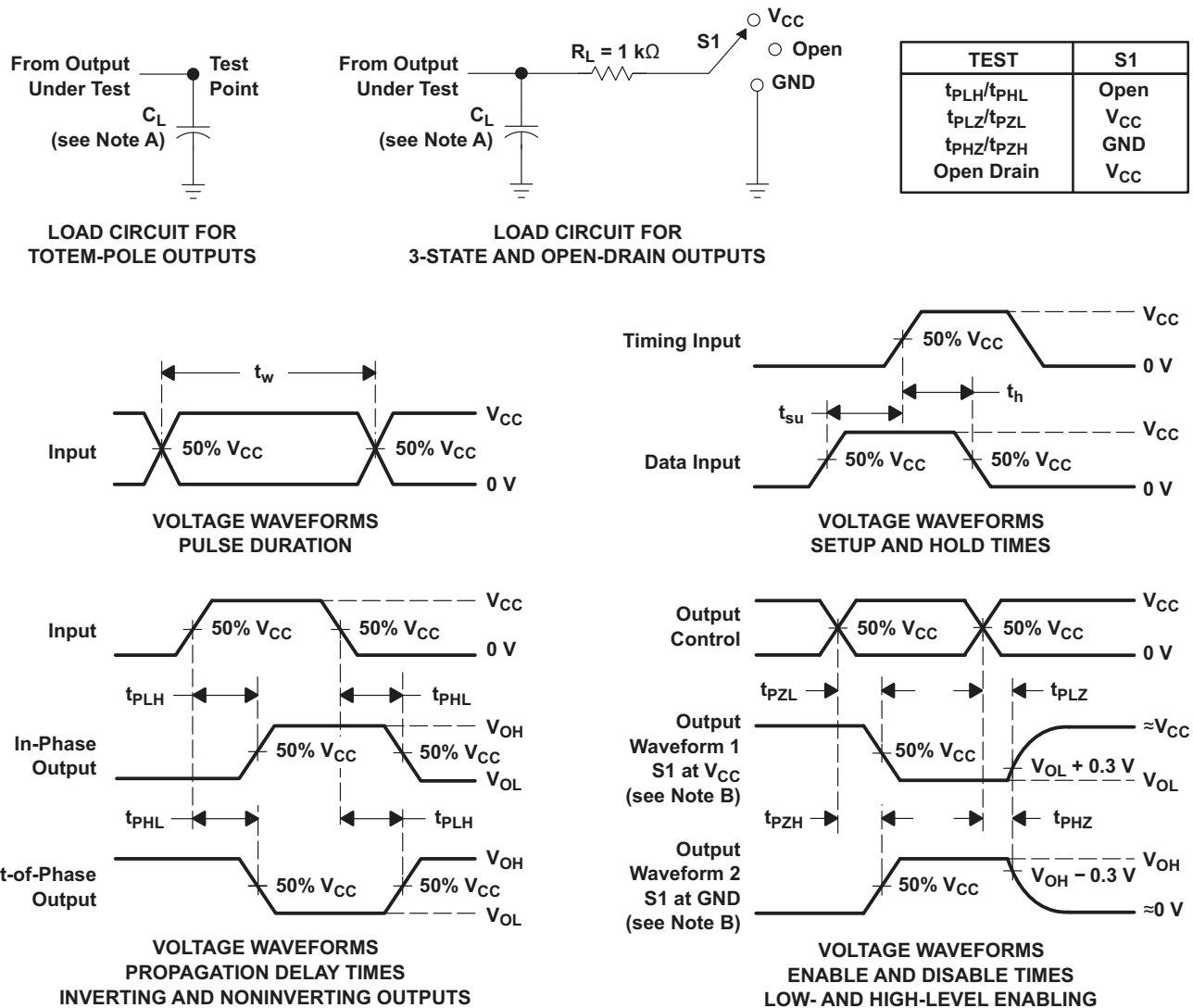


Figure 2. TPD vs V_{CC} at 25°C

8 Parameter Measurement Information



- NOTES:
- A. C_L includes probe and jig capacitance.
 - B. Waveform 1 is for an output with internal conditions such that the output is low, except when disabled by the output control. Waveform 2 is for an output with internal conditions such that the output is high, except when disabled by the output control.
 - C. All input pulses are supplied by generators having the following characteristics: $PRR \leq 1\text{ MHz}$, $Z_O = 50\ \Omega$, $t_r \leq 3\text{ ns}$, $t_f \leq 3\text{ ns}$.
 - D. The outputs are measured one at a time, with one input transition per measurement.
 - E. t_{PLZ} and t_{PHZ} are the same as t_{dis} .
 - F. t_{PZL} and t_{PZH} are the same as t_{en} .
 - G. t_{PHL} and t_{PLH} are the same as t_{pd} .
 - H. All parameters and waveforms are not applicable to all devices.

Figure 3. Load Circuit and Voltage Waveforms

9 Detailed Description

9.1 Overview

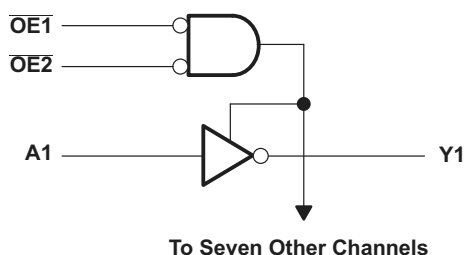
The SN74LV540A device is an octal buffer/driver designed for 2-V to 5.5-V V_{CC} operation.

This device is ideal for driving bus lines or buffer memory address registers. It features inputs and outputs on opposite sides of the package to facilitate printed circuit board layout.

The 3-state control gate is a two-input AND gate with active-low inputs so that, if either output enable ($\overline{OE1}$ or $\overline{OE2}$) input is high, all corresponding outputs are in the high-impedance state. The outputs provide inverted data when they are not in the high-impedance state.

To ensure the high-impedance state during power up or power down, \overline{OE} should be tied to V_{CC} through a pull-up resistor; the minimum value of the resistor is determined by the current-sinking capability of the driver.

9.2 Functional Block Diagram



9.3 Feature Description

- Wide operating voltage range
 - Operates from 2 V to 5.5 V
- Allows down-voltage translation
 - Inputs accept voltages to 5.5 V
- Slow edges reduce output ringing
- I_{off} feature
 - Allows voltages on the inputs and outputs when V_{CC} is 0 V

9.4 Device Functional Modes

Table 1. Function Table
(Each Buffer/Driver)

| INPUTS | | | OUTPUT Y |
|------------------|------------------|---|-------------|
| $\overline{OE1}$ | $\overline{OE2}$ | A | |
| L | L | L | H |
| L | L | H | L |
| H | X | X | Z |
| X | H | X | Z |

10 Application and Implementation

NOTE

Information in the following applications sections is not part of the TI component specification, and TI does not warrant its accuracy or completeness. TI's customers are responsible for determining suitability of components for their purposes. Customers should validate and test their design implementation to confirm system functionality.

10.1 Application Information

The SN74LV540A is a low-drive CMOS device that can be used for a multitude of bus interface type applications where output ringing is a concern. The low drive and slow edge rates will minimize overshoot and undershoot on the outputs. The inputs are tolerant to 5.5 V at any valid V_{CC} . This feature makes it ideal for translating down to the V_{CC} level. Figure 5 shows the reduction in ringing compared to higher drive parts such as AC.

10.2 Typical Application

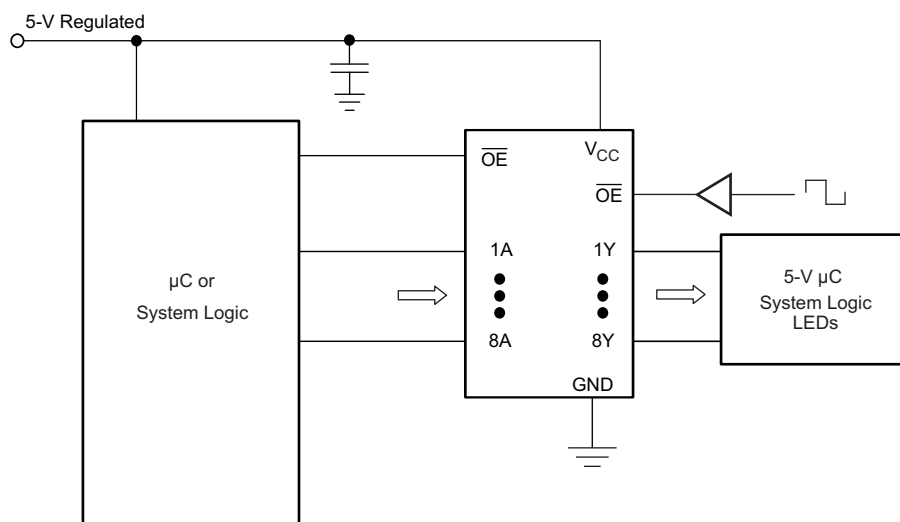


Figure 4. Typical Application Schematic

10.2.1 Design Requirements

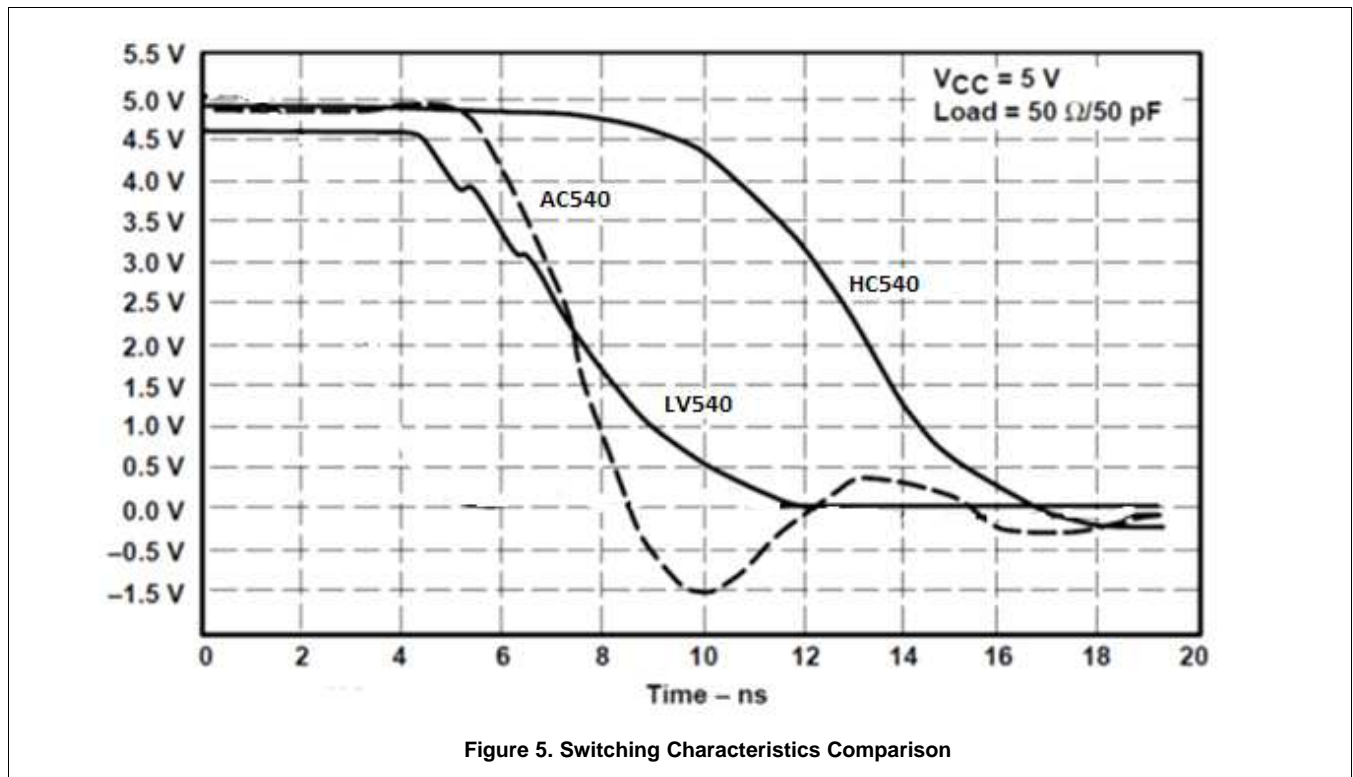
This device uses CMOS technology and has balanced output drive. Care should be taken to avoid bus contention because it can drive currents that would exceed maximum limits. The high drive will also create fast edges into light loads, so routing and load conditions should be considered to prevent ringing.

10.2.2 Detailed Design Procedure

1. Recommended Input Conditions
 - For rise time and fall time specifications, see $\Delta t/\Delta V$ in the [Recommended Operating Conditions](#) table.
 - For specified High and low levels, see V_{IH} and V_{IL} in the [Recommended Operating Conditions](#) table.
 - Inputs are overvoltage tolerant allowing them to go as high as 5.5 V at any valid V_{CC} .
2. Recommend Output Conditions
 - Load currents should not exceed 35 mA per output and 70 mA total for the part.
 - Outputs should not be pulled above V_{CC} .

Typical Application (continued)

10.2.3 Application Curves



11 Power Supply Recommendations

The power supply can be any voltage between the MIN and MAX supply voltage rating located in the [Recommended Operating Conditions](#) table.

Each V_{CC} pin should have a good bypass capacitor to prevent power disturbance. For devices with a single supply, 0.1 μF is recommended. If there are multiple V_{CC} pins, 0.01 μF or 0.022 μF is recommended for each power pin. It is acceptable to parallel multiple bypass caps to reject different frequencies of noise. A 0.1 μF and 1 μF are commonly used in parallel. The bypass capacitor should be installed as close to the power pin as possible for best results.

12 Layout

12.1 Layout Guidelines

When using multiple bit logic devices, inputs should not float. In many cases, functions or parts of functions of digital logic devices are unused. Some examples are when only two inputs of a triple-input AND gate are used, or when only 3 of the 4-buffer gates are used. Such input pins should not be left unconnected because the undefined voltages at the outside connections result in undefined operational states.

Specified in Figure 6 are rules that must be observed under all circumstances. All unused inputs of digital logic devices must be connected to a high or low bias to prevent them from floating. The logic level that should be applied to any particular unused input depends on the function of the device. Generally they will be tied to GND or V_{CC} , whichever makes more sense or is more convenient. It is acceptable to float outputs unless the part is a transceiver. If the transceiver has an output enable pin, it will disable the outputs section of the part when asserted. This will not disable the input section of the I/Os so they also cannot float when disabled.

12.2 Layout Example

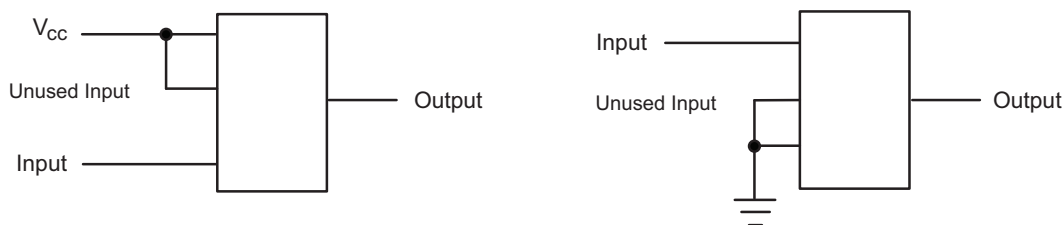


Figure 6. Layout Diagram

13 Device and Documentation Support

13.1 Related Links

The table below lists quick access links. Categories include technical documents, support and community resources, tools and software, and quick access to sample or buy.

Table 2. Related Links

| PARTS | PRODUCT FOLDER | SAMPLE & BUY | TECHNICAL DOCUMENTS | TOOLS & SOFTWARE | SUPPORT & COMMUNITY |
|------------|----------------------------|----------------------------|----------------------------|----------------------------|----------------------------|
| SN74LV540A | Click here | Click here | Click here | Click here | Click here |

13.2 Trademarks

All trademarks are the property of their respective owners.

13.3 Electrostatic Discharge Caution



These devices have limited built-in ESD protection. The leads should be shorted together or the device placed in conductive foam during storage or handling to prevent electrostatic damage to the MOS gates.

13.4 Glossary

[SLYZ022](#) — TI Glossary.

This glossary lists and explains terms, acronyms, and definitions.

14 Mechanical, Packaging, and Orderable Information

The following pages include mechanical, packaging, and orderable information. This information is the most current data available for the designated devices. This data is subject to change without notice and revision of this document. For browser-based versions of this data sheet, refer to the left-hand navigation.

PACKAGING INFORMATION

| Orderable Device | Status (1) | Package Type | Package Drawing | Pins | Package Qty | Eco Plan (2) | Lead finish/ Ball material (6) | MSL Peak Temp (3) | Op Temp (°C) | Device Marking (4/5) | Samples |
|------------------|---------------|--------------|-----------------|------|-------------|-----------------|--------------------------------------|----------------------|--------------|-------------------------|---------|
| SN74LV540ADBR | ACTIVE | SSOP | DB | 20 | 2000 | RoHS & Green | NIPDAU | Level-1-260C-UNLIM | -40 to 125 | LV540A | Samples |
| SN74LV540ADGVR | ACTIVE | TVSOP | DGV | 20 | 2000 | RoHS & Green | NIPDAU | Level-1-260C-UNLIM | -40 to 125 | LV540A | Samples |
| SN74LV540ADW | ACTIVE | SOIC | DW | 20 | 25 | RoHS & Green | NIPDAU | Level-1-260C-UNLIM | -40 to 125 | LV540A | Samples |
| SN74LV540ADWR | ACTIVE | SOIC | DW | 20 | 2000 | RoHS & Green | NIPDAU | Level-1-260C-UNLIM | -40 to 125 | LV540A | Samples |
| SN74LV540ANSR | ACTIVE | SO | NS | 20 | 2000 | RoHS & Green | NIPDAU | Level-1-260C-UNLIM | -40 to 125 | 74LV540A | Samples |
| SN74LV540APW | ACTIVE | TSSOP | PW | 20 | 70 | RoHS & Green | NIPDAU | Level-1-260C-UNLIM | -40 to 125 | LV540A | Samples |
| SN74LV540APWR | ACTIVE | TSSOP | PW | 20 | 2000 | RoHS & Green | NIPDAU | Level-1-260C-UNLIM | -40 to 125 | LV540A | Samples |
| SN74LV540ARGYR | ACTIVE | VQFN | RGY | 20 | 3000 | RoHS & Green | NIPDAU | Level-2-260C-1 YEAR | -40 to 125 | LV540A | Samples |

(1) The marketing status values are defined as follows:

ACTIVE: Product device recommended for new designs.

LIFEBUY: TI has announced that the device will be discontinued, and a lifetime-buy period is in effect.

NRND: Not recommended for new designs. Device is in production to support existing customers, but TI does not recommend using this part in a new design.

PREVIEW: Device has been announced but is not in production. Samples may or may not be available.

OBSOLETE: TI has discontinued the production of the device.

(2) **RoHS:** TI defines "RoHS" to mean semiconductor products that are compliant with the current EU RoHS requirements for all 10 RoHS substances, including the requirement that RoHS substance do not exceed 0.1% by weight in homogeneous materials. Where designed to be soldered at high temperatures, "RoHS" products are suitable for use in specified lead-free processes. TI may reference these types of products as "Pb-Free".

RoHS Exempt: TI defines "RoHS Exempt" to mean products that contain lead but are compliant with EU RoHS pursuant to a specific EU RoHS exemption.

Green: TI defines "Green" to mean the content of Chlorine (Cl) and Bromine (Br) based flame retardants meet JS709B low halogen requirements of <=1000ppm threshold. Antimony trioxide based flame retardants must also meet the <=1000ppm threshold requirement.

(3) MSL, Peak Temp. - The Moisture Sensitivity Level rating according to the JEDEC industry standard classifications, and peak solder temperature.

(4) There may be additional marking, which relates to the logo, the lot trace code information, or the environmental category on the device.

(5) Multiple Device Markings will be inside parentheses. Only one Device Marking contained in parentheses and separated by a "~" will appear on a device. If a line is indented then it is a continuation of the previous line and the two combined represent the entire Device Marking for that device.

⁽⁶⁾ Lead finish/Ball material - Orderable Devices may have multiple material finish options. Finish options are separated by a vertical ruled line. Lead finish/Ball material values may wrap to two lines if the finish value exceeds the maximum column width.

Important Information and Disclaimer:The information provided on this page represents TI's knowledge and belief as of the date that it is provided. TI bases its knowledge and belief on information provided by third parties, and makes no representation or warranty as to the accuracy of such information. Efforts are underway to better integrate information from third parties. TI has taken and continues to take reasonable steps to provide representative and accurate information but may not have conducted destructive testing or chemical analysis on incoming materials and chemicals. TI and TI suppliers consider certain information to be proprietary, and thus CAS numbers and other limited information may not be available for release.

In no event shall TI's liability arising out of such information exceed the total purchase price of the TI part(s) at issue in this document sold by TI to Customer on an annual basis.

TAPE AND REEL INFORMATION

QUADRANT ASSIGNMENTS FOR PIN 1 ORIENTATION IN TAPE


*All dimensions are nominal

| Device | Package Type | Package Drawing | Pins | SPQ | Reel Diameter (mm) | Reel Width W1 (mm) | A0 (mm) | B0 (mm) | K0 (mm) | P1 (mm) | W (mm) | Pin1 Quadrant |
|----------------|--------------|-----------------|------|------|--------------------|--------------------|---------|---------|---------|---------|--------|---------------|
| SN74LV540ADBR | SSOP | DB | 20 | 2000 | 330.0 | 16.4 | 8.2 | 7.5 | 2.5 | 12.0 | 16.0 | Q1 |
| SN74LV540ADGVR | TVSOP | DGV | 20 | 2000 | 330.0 | 12.4 | 6.9 | 5.6 | 1.6 | 8.0 | 12.0 | Q1 |
| SN74LV540ADWR | SOIC | DW | 20 | 2000 | 330.0 | 24.4 | 10.8 | 13.3 | 2.7 | 12.0 | 24.0 | Q1 |
| SN74LV540ANSR | SO | NS | 20 | 2000 | 330.0 | 24.4 | 8.4 | 13.0 | 2.5 | 12.0 | 24.0 | Q1 |
| SN74LV540APWR | TSSOP | PW | 20 | 2000 | 330.0 | 16.4 | 6.95 | 7.0 | 1.4 | 8.0 | 16.0 | Q1 |
| SN74LV540ARGYR | VQFN | RGY | 20 | 3000 | 330.0 | 12.4 | 3.8 | 4.8 | 1.6 | 8.0 | 12.0 | Q1 |

TAPE AND REEL BOX DIMENSIONS


*All dimensions are nominal

| Device | Package Type | Package Drawing | Pins | SPQ | Length (mm) | Width (mm) | Height (mm) |
|----------------|--------------|-----------------|------|------|-------------|------------|-------------|
| SN74LV540ADBR | SSOP | DB | 20 | 2000 | 356.0 | 356.0 | 35.0 |
| SN74LV540ADGVR | TVSOP | DGV | 20 | 2000 | 356.0 | 356.0 | 35.0 |
| SN74LV540ADWR | SOIC | DW | 20 | 2000 | 367.0 | 367.0 | 45.0 |
| SN74LV540ANSR | SO | NS | 20 | 2000 | 367.0 | 367.0 | 45.0 |
| SN74LV540APWR | TSSOP | PW | 20 | 2000 | 356.0 | 356.0 | 35.0 |
| SN74LV540ARGYR | VQFN | RGY | 20 | 3000 | 356.0 | 356.0 | 35.0 |

TUBE


*All dimensions are nominal

| Device | Package Name | Package Type | Pins | SPQ | L (mm) | W (mm) | T (μm) | B (mm) |
|--------------|--------------|--------------|------|-----|--------|--------|--------|--------|
| SN74LV540ADW | DW | SOIC | 20 | 25 | 507 | 12.83 | 5080 | 6.6 |
| SN74LV540APW | PW | TSSOP | 20 | 70 | 530 | 10.2 | 3600 | 3.5 |

DGV (R-PDSO-G**)

PLASTIC SMALL-OUTLINE

24 PINS SHOWN



- NOTES: A. All linear dimensions are in millimeters.
 B. This drawing is subject to change without notice.
 C. Body dimensions do not include mold flash or protrusion, not to exceed 0,15 per side.
 D. Falls within JEDEC: 24/48 Pins – MO-153
 14/16/20/56 Pins – MO-194

GENERIC PACKAGE VIEW

RGY 20

VQFN - 1 mm max height

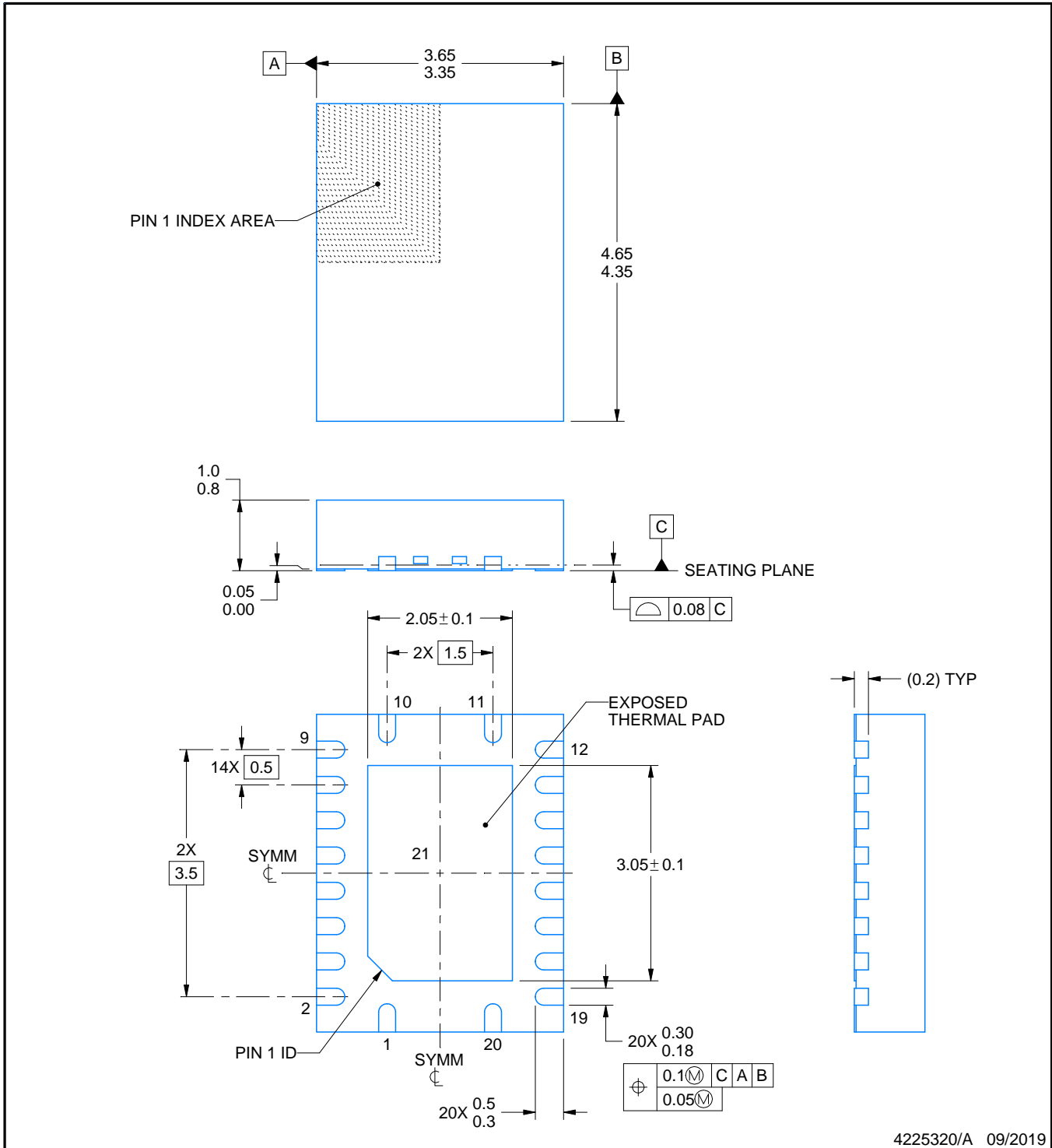
3.5 x 4.5, 0.5 mm pitch

PLASTIC QUAD FGLATPACK - NO LEAD

This image is a representation of the package family, actual package may vary.
Refer to the product data sheet for package details.



4225264/A



4225320/A 09/2019

NOTES:

1. All linear dimensions are in millimeters. Any dimensions in parenthesis are for reference only. Dimensioning and tolerancing per ASME Y14.5M.
2. This drawing is subject to change without notice.
3. The package thermal pad must be soldered to the printed circuit board for thermal and mechanical performance.

EXAMPLE BOARD LAYOUT

RGY0020A

VQFN - 1 mm max height

PLASTIC QUAD FLATPACK - NO LEAD



LAND PATTERN EXAMPLE
EXPOSED METAL SHOWN
SCALE:18X



4225320/A 09/2019

NOTES: (continued)

4. This package is designed to be soldered to a thermal pad on the board. For more information, see Texas Instruments literature number SLUA271 (www.ti.com/lit/slua271).
5. Vias are optional depending on application, refer to device data sheet. If any vias are implemented, refer to their locations shown on this view. It is recommended that vias under paste be filled, plugged or tented.

EXAMPLE STENCIL DESIGN

RGY0020A

VQFN - 1 mm max height

PLASTIC QUAD FLATPACK - NO LEAD



SOLDER PASTE EXAMPLE
 BASED ON 0.125 mm THICK STENCIL

EXPOSED PAD 21
 78% PRINTED SOLDER COVERAGE BY AREA UNDER PACKAGE
 SCALE:20X

4225320/A 09/2019

NOTES: (continued)

6. Laser cutting apertures with trapezoidal walls and rounded corners may offer better paste release. IPC-7525 may have alternate design recommendations.

DW0020A



PACKAGE OUTLINE

SOIC - 2.65 mm max height

SOIC



NOTES:

1. All linear dimensions are in millimeters. Dimensions in parenthesis are for reference only. Dimensioning and tolerancing per ASME Y14.5M.
2. This drawing is subject to change without notice.
3. This dimension does not include mold flash, protrusions, or gate burrs. Mold flash, protrusions, or gate burrs shall not exceed 0.15 mm per side.
4. This dimension does not include interlead flash. Interlead flash shall not exceed 0.43 mm per side.
5. Reference JEDEC registration MS-013.

EXAMPLE BOARD LAYOUT

DW0020A

SOIC - 2.65 mm max height

SOIC



LAND PATTERN EXAMPLE
SCALE:6X



SOLDER MASK DETAILS

4220724/A 05/2016

NOTES: (continued)

- 6. Publication IPC-7351 may have alternate designs.
- 7. Solder mask tolerances between and around signal pads can vary based on board fabrication site.

EXAMPLE STENCIL DESIGN

DW0020A

SOIC - 2.65 mm max height

SOIC



SOLDER PASTE EXAMPLE
BASED ON 0.125 mm THICK STENCIL
SCALE:6X

4220724/A 05/2016

NOTES: (continued)

8. Laser cutting apertures with trapezoidal walls and rounded corners may offer better paste release. IPC-7525 may have alternate design recommendations.
9. Board assembly site may have different recommendations for stencil design.

PW0020A



PACKAGE OUTLINE

TSSOP - 1.2 mm max height

SMALL OUTLINE PACKAGE



4220206/A 02/2017

NOTES:

- All linear dimensions are in millimeters. Any dimensions in parenthesis are for reference only. Dimensioning and tolerancing per ASME Y14.5M.
- This drawing is subject to change without notice.
- This dimension does not include mold flash, protrusions, or gate burrs. Mold flash, protrusions, or gate burrs shall not exceed 0.15 mm per side.
- This dimension does not include interlead flash. Interlead flash shall not exceed 0.25 mm per side.
- Reference JEDEC registration MO-153.

EXAMPLE BOARD LAYOUT

PW0020A

TSSOP - 1.2 mm max height

SMALL OUTLINE PACKAGE



LAND PATTERN EXAMPLE
EXPOSED METAL SHOWN
SCALE: 10X



SOLDER MASK DETAILS

4220206/A 02/2017

NOTES: (continued)

- 6. Publication IPC-7351 may have alternate designs.
- 7. Solder mask tolerances between and around signal pads can vary based on board fabrication site.

EXAMPLE STENCIL DESIGN

PW0020A

TSSOP - 1.2 mm max height

SMALL OUTLINE PACKAGE



SOLDER PASTE EXAMPLE
BASED ON 0.125 mm THICK STENCIL
SCALE: 10X

4220206/A 02/2017

NOTES: (continued)

8. Laser cutting apertures with trapezoidal walls and rounded corners may offer better paste release. IPC-7525 may have alternate design recommendations.
9. Board assembly site may have different recommendations for stencil design.

PW (R-PDSO-G20)

PLASTIC SMALL OUTLINE



- NOTES:
- A. All linear dimensions are in millimeters.
 - B. This drawing is subject to change without notice.
 - C. Publication IPC-7351 is recommended for alternate design.
 - D. Laser cutting apertures with trapezoidal walls and also rounding corners will offer better paste release. Customers should contact their board assembly site for stencil design recommendations. Refer to IPC-7525 for other stencil recommendations.
 - E. Customers should contact their board fabrication site for solder mask tolerances between and around signal pads.

DB0020A



PACKAGE OUTLINE

SSOP - 2 mm max height

SMALL OUTLINE PACKAGE



4214851/B 08/2019

NOTES:

1. All linear dimensions are in millimeters. Any dimensions in parenthesis are for reference only. Dimensioning and tolerancing per ASME Y14.5M.
2. This drawing is subject to change without notice.
3. This dimension does not include mold flash, protrusions, or gate burrs. Mold flash, protrusions, or gate burrs shall not exceed 0.15 mm per side.
4. This dimension does not include interlead flash. Interlead flash shall not exceed 0.25 mm per side.
5. Reference JEDEC registration MO-150.

EXAMPLE BOARD LAYOUT

DB0020A

SSOP - 2 mm max height

SMALL OUTLINE PACKAGE



LAND PATTERN EXAMPLE
EXPOSED METAL SHOWN
SCALE: 10X



4214851/B 08/2019

NOTES: (continued)

- 6. Publication IPC-7351 may have alternate designs.
- 7. Solder mask tolerances between and around signal pads can vary based on board fabrication site.

EXAMPLE STENCIL DESIGN

DB0020A

SSOP - 2 mm max height

SMALL OUTLINE PACKAGE



SOLDER PASTE EXAMPLE
BASED ON 0.125 mm THICK STENCIL
SCALE: 10X

4214851/B 08/2019

NOTES: (continued)

8. Laser cutting apertures with trapezoidal walls and rounded corners may offer better paste release. IPC-7525 may have alternate design recommendations.
9. Board assembly site may have different recommendations for stencil design.

MECHANICAL DATA

NS (R-PDSO-G**)

PLASTIC SMALL-OUTLINE PACKAGE

14-PINS SHOWN



- NOTES:
- A. All linear dimensions are in millimeters.
 - B. This drawing is subject to change without notice.
 - C. Body dimensions do not include mold flash or protrusion, not to exceed 0,15.

IMPORTANT NOTICE AND DISCLAIMER

TI PROVIDES TECHNICAL AND RELIABILITY DATA (INCLUDING DATA SHEETS), DESIGN RESOURCES (INCLUDING REFERENCE DESIGNS), APPLICATION OR OTHER DESIGN ADVICE, WEB TOOLS, SAFETY INFORMATION, AND OTHER RESOURCES "AS IS" AND WITH ALL FAULTS, AND DISCLAIMS ALL WARRANTIES, EXPRESS AND IMPLIED, INCLUDING WITHOUT LIMITATION ANY IMPLIED WARRANTIES OF MERCHANTABILITY, FITNESS FOR A PARTICULAR PURPOSE OR NON-INFRINGEMENT OF THIRD PARTY INTELLECTUAL PROPERTY RIGHTS.

These resources are intended for skilled developers designing with TI products. You are solely responsible for (1) selecting the appropriate TI products for your application, (2) designing, validating and testing your application, and (3) ensuring your application meets applicable standards, and any other safety, security, regulatory or other requirements.

These resources are subject to change without notice. TI grants you permission to use these resources only for development of an application that uses the TI products described in the resource. Other reproduction and display of these resources is prohibited. No license is granted to any other TI intellectual property right or to any third party intellectual property right. TI disclaims responsibility for, and you will fully indemnify TI and its representatives against, any claims, damages, costs, losses, and liabilities arising out of your use of these resources.

TI's products are provided subject to [TI's Terms of Sale](#) or other applicable terms available either on ti.com or provided in conjunction with such TI products. TI's provision of these resources does not expand or otherwise alter TI's applicable warranties or warranty disclaimers for TI products.

TI objects to and rejects any additional or different terms you may have proposed.

Mailing Address: Texas Instruments, Post Office Box 655303, Dallas, Texas 75265
Copyright © 2022, Texas Instruments Incorporated