

Multi-String LED Current Balancer for Use with Constant-Current Power Supplies

Check for Samples: [LM3466](#)

FEATURES

- **Easy to Design for Lighting Systems Consisting of Multiple LED Strings (Supports Modular Design)**
- **Automatically Balances the Current of Every Active LED String, even the Forward Voltage of Each String is Different**
- **Easy to Pre-Set and Fine-Tune Current Ratio Among LED Strings (e.g., color temperature adjustment or CRI Enhancement)**
- **$\pm 1\%$ Current Accuracy at Room Temperature and $\pm 1.5\%$ Over Temperature**
- **Maintains Constant Output Power if Some Strings Open (inactive) by Automatically Balancing the Current of Remaining Active LED Strings**
- **Works with a Constant Current Power Supply (ac/dc or dc/dc), and no Communication to/from the Constant Current Power Supply is Required**
- **Operates with Minimum Voltage Overhead to Maximize Power Efficiency**
- **Wide Input Voltage Range from 6 V to 70 V**
- **Fault Status Output**
- **Thermal Shutdown**
- **Integrated 70-V, 1.5-A MOSFET with 2.06 A Current Limit**
- **Maximum 70-V per LED String, 20 LEDs**
- **Linear Circuitry Does Not Deteriorate EMI**
- **DDA-8 Exposed Thermal Pad and TO220-7 Packages**

APPLICATIONS

- **Street Lamps**
- **Solid State Lighting Systems**

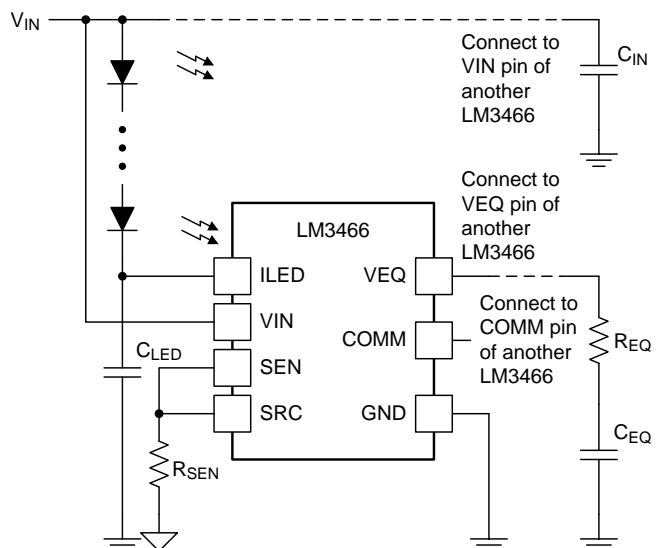
DESCRIPTION

The LM3466 integrates a linear LED driver for lighting systems which consist of multiple LED strings powered by a constant current power supply. It balances the current provided by the supply in a pre-set ratio for each active LED string, where an active string is a fully turned on LED string, regardless of the number of strings connected to the supply or the forward voltage of each LED string. If any LED string opens during operation, the LM3466 automatically balances the supply current through all of the remaining active LED strings. As a result, the overall brightness of the lighting system is maintained even if some LED strings open during operation.

The LM3466 lighting system is simple to design owing to a proprietary control scheme. To minimize the component count, the LM3466 integrates a 70-V, 1.5-A, N-channel power MOSFET with a current limit of 2.06 A. To add one more LED string to the system, only a single resistor, a capacitor, and a LM3466 are required. Other supervisory features of the LM3466 include under-voltage lock-out, fault reporting, thermal latch off, and thermal shutdown protection.

The LM3466 consists of only linear circuitry so that the EMI of the application circuit is not deteriorated. The LM3466 lighting system is EMI friendly if the constant current power supply used is complied to EMI standards. The LM3466 is available in the DDA-8 exposed thermal pad and TO220-7 packages.

SIMPLIFIED APPLICATION



Please be aware that an important notice concerning availability, standard warranty, and use in critical applications of Texas Instruments semiconductor products and disclaimers thereto appears at the end of this data sheet.

All trademarks are the property of their respective owners.



These devices have limited built-in ESD protection. The leads should be shorted together or the device placed in conductive foam during storage or handling to prevent electrostatic damage to the MOS gates.

ABSOLUTE MAXIMUM RATINGS ⁽¹⁾

If Military/Aerospace specified devices are required, contact the Texas Instruments Sales Office/ Distributors for availability and specifications.

	MIN	MAX	UNIT
V _{IN} , ILED to GND	-0.3	75	V
COMM to GND	-0.3	7	V
SEN, SRC, VEQ to GND	-0.3	5	V
ESD Rating ⁽²⁾ , Human Body Model	-2	2	kV
Storage Temperature Range	-65	150	°C
Junction Temperature (T _J)		150	°C

(1) Absolute Maximum Ratings are limits beyond which damage to the device may occur.

(2) The human body model is a 100-pF capacitor discharged through a 1.5-kΩ resistor into each pin.

RECOMMENDED OPERATING CONDITIONS ⁽¹⁾

	MIN	MAX	UNIT
Supply Voltage Range (V _{IN})	6	70	V
Junction Temperature Range (T _J)	-40	125	°C

(1) Recommended Operating conditions are those under which operation of the device is intended to be functional. For specifications and test conditions, see the Electrical Characteristics table.

THERMAL INFORMATION

THERMAL METRIC		SO PowerPAD	TO-220	UNITS
		DDA	NEC ⁽¹⁾	
		8 PINS	7 PINS	
θ _{JA}	Junction-to-ambient thermal resistance ⁽²⁾	50.7	32.2	°C/W
θ _{JCtop}	Junction-to-case (top) thermal resistance ⁽³⁾	56.1	36.4	
θ _{JB}	Junction-to-board thermal resistance ⁽⁴⁾	28.9	25.2	
ψ _{JT}	Junction-to-top characterization parameter ⁽⁵⁾	9.8	6.2	
ψ _{JB}	Junction-to-board characterization parameter ⁽⁶⁾	28.8	23.8	
θ _{JCbot}	Junction-to-case (bottom) thermal resistance ⁽⁷⁾	3.3	0.3	

(1) For more information about traditional and new thermal metrics, see the *IC Package Thermal Metrics* application report, [SPRA953](#).

(2) The junction-to-ambient thermal resistance under natural convection is obtained in a simulation on a JEDEC-standard, high-K board, as specified in JESD51-7, in an environment described in JESD51-2a.

(3) The junction-to-case (top) thermal resistance is obtained by simulating a cold plate test on the package top. No specific JEDEC-standard test exists, but a close description can be found in the ANSI SEMI standard G30-88.

(4) The junction-to-board thermal resistance is obtained by simulating in an environment with a ring cold plate fixture to control the PCB temperature, as described in JESD51-8.

(5) The junction-to-top characterization parameter, ψ_{JT}, estimates the junction temperature of a device in a real system and is extracted from the simulation data for obtaining θ_{JA}, using a procedure described in JESD51-2a (sections 6 and 7).

(6) The junction-to-board characterization parameter, ψ_{JB}, estimates the junction temperature of a device in a real system and is extracted from the simulation data for obtaining θ_{JA}, using a procedure described in JESD51-2a (sections 6 and 7).

(7) The junction-to-case (bottom) thermal resistance is obtained by simulating a cold plate test on the exposed (power) pad. No specific JEDEC standard test exists, but a close description can be found in the ANSI SEMI standard G30-88.

ELECTRICAL CHARACTERISTICS

 $-40^{\circ}\text{C} \leq T_J \leq 125^{\circ}\text{C}$, $V_{IN} = 48\text{ V}$ (unless otherwise stated)

PARAMETER	CONDITIONS	MIN	TYP	MAX	UNITS		
$V_{IN-UVLO-UPPER}$	VIN pin under-voltage lockout (UVLO) upper threshold	4.06	4.78	5.30	V		
$V_{IN-UVLO-HYS}$	VIN pin UVLO hysteresis		0.52		V		
I_{IN}	Operating current to the VIN pin		550	640	μA		
V_{SEN}	SEN pin voltage regulation	$V_{EQ} = 200\text{ mV}$, $T_A = 25^{\circ}\text{C}$		197.1	200	201.0	mV
		$V_{EQ} = 200\text{ mV}$		195.6	200	201.5	
I_{SEN}	SEN pin bias current out	$V_{SEN} = 0\text{ V}$		9.35	10.29	11.23	μA
$I_{LED-OFF}$	ILED pin off current	$V_{ILED} = 70\text{ V}$			0.1	0.6	μA
$R_{DS(on)}$	Integrated power MOSFET on-resistance	$I_{ILED} = 300\text{ mA}$			0.5	1.2	Ω
$V_{SRC-OPEN}$	SRC pin open circuit threshold	$V_{SEN} = V_{SRC}$, $V_{COMM} = 0\text{ V}$		25	31	37	mV
I_{LIMIT}	Current limit	$V_{SEN} = V_{SRC} = 0\text{ V}$, $V_{ILED} = 3\text{ V}$		1.75	2.06	2.35	A
$COMM_{LOW}$	COMM pin pull-low current	$V_{COMM} = 5\text{ V}$			34	54	μA
$COMM_{HIGH}$	COMM pin pull-high voltage	COMM pin to ground through a 10-k Ω resistor			6.0		V
T_{SD}	Thermal shutdown		150				$^{\circ}\text{C}$

Connection Diagrams

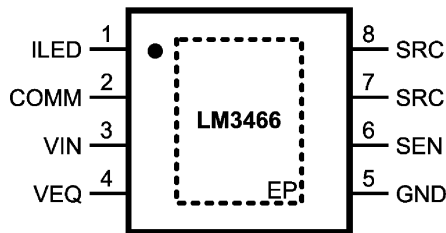


Figure 1. DDA (SO PowerPAD) Package, 8 Pins (Top View)

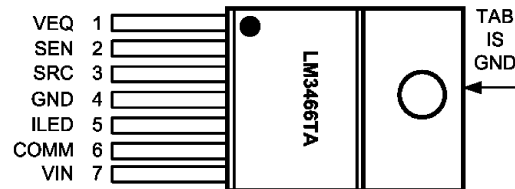


Figure 2. NEC (TO-220) Package, 7 Pins (Top View)

PIN DESCRIPTIONS

NAME	PINS		I/O	DESCRIPTION
	DDA	NEC		
COMM	2	6	O	Open-drain status output. Indicates the status of the LM3466 including startup, LED string active/inactive, thermal shutdown.
GND	5	4	—	Ground. Connects to ground.
ILED	1	5	I	Current regulator input. Connects to the drain of the integrated power MOSFET. Connects this pin to the cathode of an LED string. Connects a capacitor from this pin to ground to minimize noise if the connecting cable to the LED string is long.
SEN	6	2	I	Current sense input. Senses the voltage of an external current sensing resistor.
SRC	7	3	O	Source of power MOSFET. Connects to the source of the integrated power MOSFET. Connect this pin to an external current sensing resistor.
	8			
VEQ	4	1	O	Control voltage. Connects to the VEQ pin of other LM3466 with a 51- Ω resistor in series with a 1- μF capacitor to ground.
VIN	3	7	I	Input voltage supply. Connects to voltage supply from 6 V to 70 V. Connects a 10-nF capacitor from this pin to ground for decoupling.
Thermal Pad			—	Thermal connection pad. Connects to a ground plane.

TYPICAL CHARACTERISTICS

Unless otherwise specified the following conditions apply: $T_J = 25^\circ\text{C}$, $V_{IN} = 48\text{V}$ with configuration in the additional application circuit for $I_{LED} = 0.35\text{A}$ shown in this datasheet.

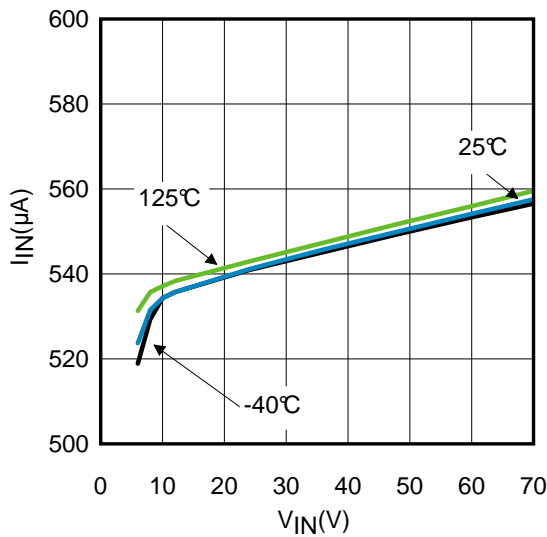


Figure 3. Quiescent Current, I_{IN} vs V_{IN}

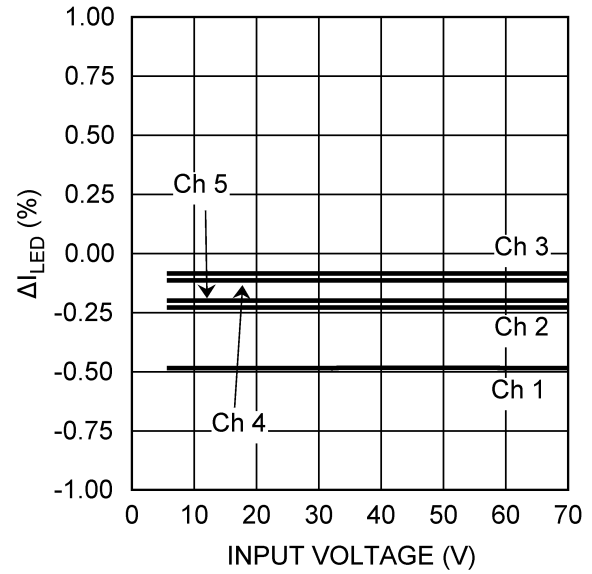


Figure 4. Current Regulation vs V_{IN}

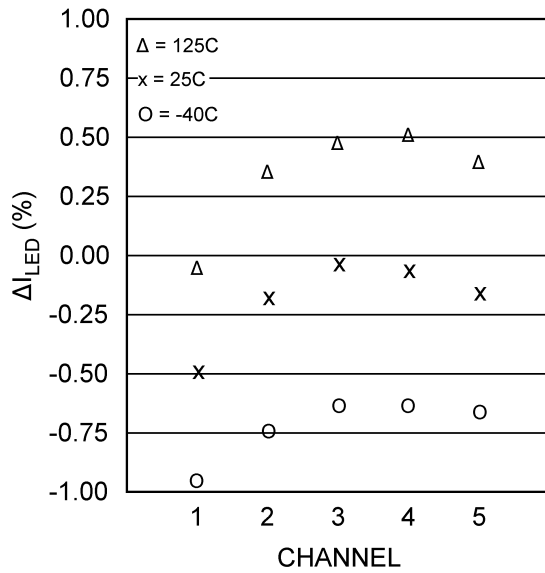


Figure 5. Current Regulation (Channel to Channel) vs Temperature

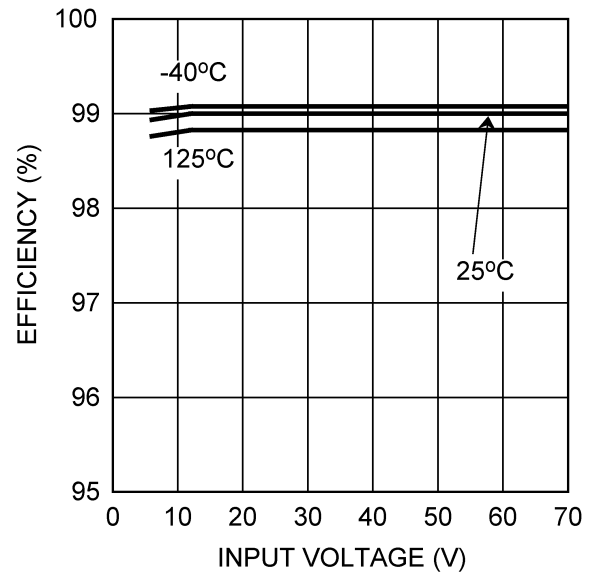


Figure 6. Efficiency vs V_{IN}

TYPICAL CHARACTERISTICS (continued)

Unless otherwise specified the following conditions apply: $T_J = 25^\circ\text{C}$, $V_{IN} = 48\text{V}$ with configuration in the additional application circuit for $I_{LED} = 0.35\text{A}$ shown in this datasheet.

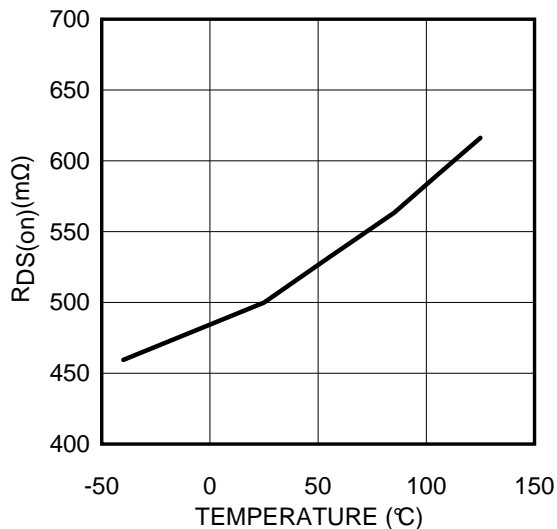


Figure 7. $R_{DS(on)}$ vs Temperature

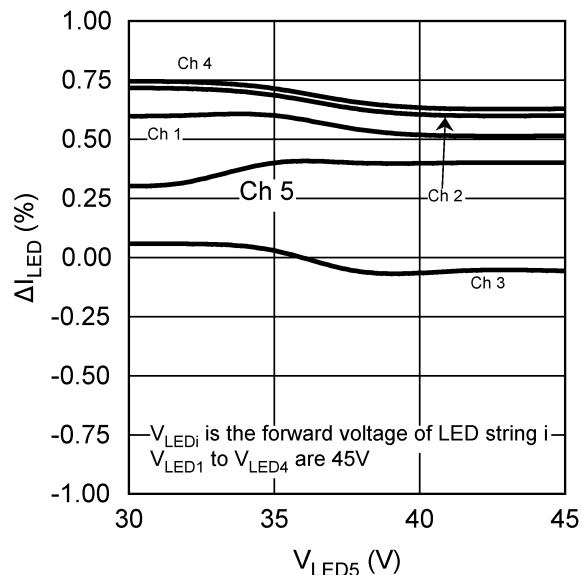
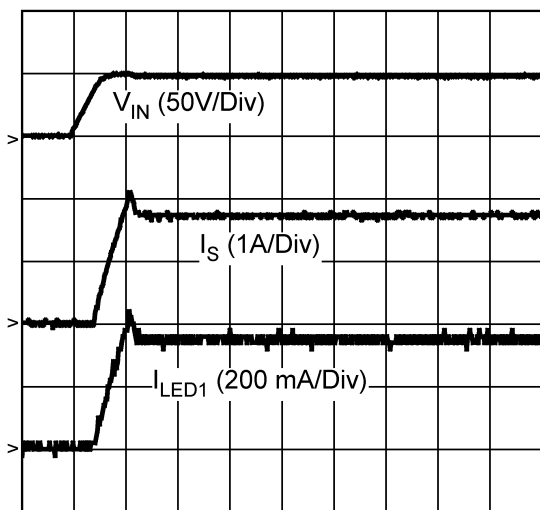
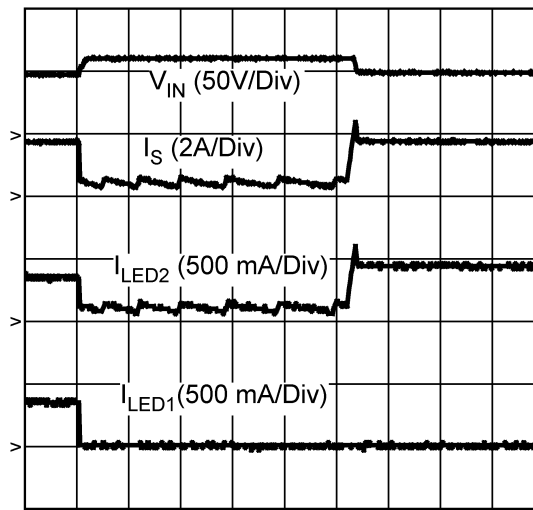


Figure 8. Current Regulation vs V_{LED}



TIME (20 ms/DIV)
 Figure 9. Power Up



TIME (100 ms/DIV)
 Figure 10. LED String Disconnect

TYPICAL CHARACTERISTICS (continued)

Unless otherwise specified the following conditions apply: $T_J = 25^\circ\text{C}$, $V_{IN} = 48\text{V}$ with configuration in the additional application circuit for $I_{LED} = 0.35\text{A}$ shown in this datasheet.

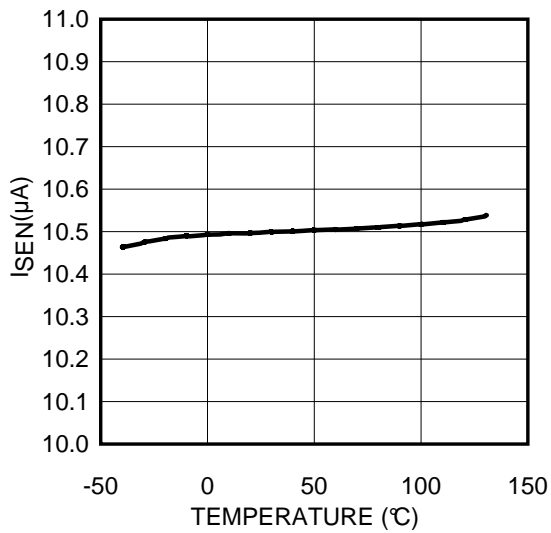


Figure 11. I_{SEN} vs Temperature

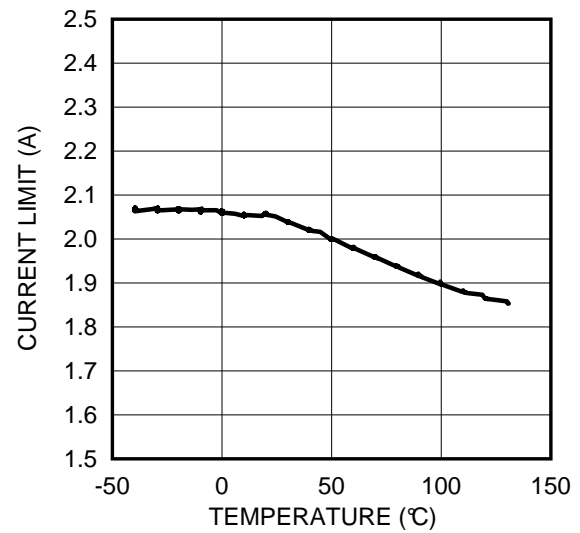
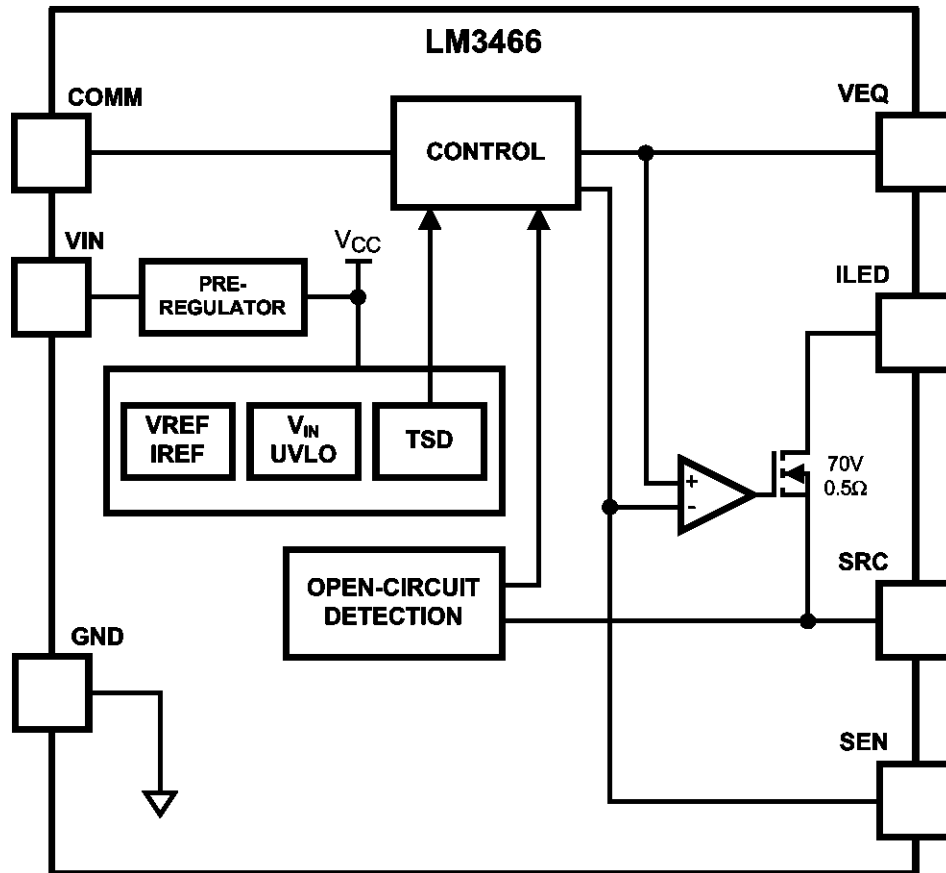


Figure 12. Current Limit vs Temperature

BLOCK DIAGRAM



OVERVIEW

The LM3466 integrates a linear LED driver for lighting systems which consist of multiple LED strings powered by a constant current power supply. An ideal constant current power supply delivers a constant current (I_S) regardless of the output voltage of the connecting load. In the lighting system, each device regulates the current of an LED string. The current I_S provided by the supply is balanced (i.e. shared in a pre-set ratio determined by a single resistor) through each active LED string automatically, regardless of the number of strings connected to the supply or the forward voltage of each string. Here, an active LED string refers to a fully turned on LED string. If any LED string opens during operation, the LED current of all remaining active LED strings will increase to balance the current provided by the supply automatically. As a result, the total output power remains nearly the same in case of the decrease of active LED strings. This gives an advantage that the overall brightness of the lighting system is maintained even if some LED strings open during operation.

A LM3466 lighting system is simple to design owing to a proprietary control scheme. To minimize the component count, the LM3466 integrates a 70-V, 1.5-A, N-channel MOSFET with a current limit of 2.06 A. To add one more LED string to the system, only a single resistor, a capacitor, and an additional LM3466 device are required. Other supervisory features of the LM3466 include under-voltage lock-out, fault reporting, thermal latchoff, and thermal shutdown protection.

The LM3466 consists of only linear circuitry so that the EMI of the application circuit is not deteriorated. The LM3466 lighting system is EMI friendly if the constant current power supply used is complied to EMI standards. The LM3466 is available in a DDA thermal pad and NEC packages.

Current Regulator

The LM3466 integrates a current regulator to control the current of a connected LED string. The current is delivered from the supply through the LED string, the ILED pin, the integrated power MOSFET, the SRC pin, and the sensing resistor R_{SEN} connecting from the SRC pin to ground as shown in [Figure 13](#). The sensing resistor voltage is fed back to the LM3466 through the SEN pin, either by direct connection or through an extra resistor R_{SL} . The device regulates the voltage of the SEN pin (V_{SEN}) to a voltage set by its control block. If the sensing resistor of each LM3466 ($R_{SEN,k}$, $k = 1, 2, \dots, n$) is the same, the LED current of each active LED string is the same. If $R_{SEN,k}$ of any device is different from others, the corresponding LED current ($I_{LED,k}$) is different, while V_{SEN} of each LM3466 remains the same as others. The LED current of string k is shown in [Equation 1](#).

$$I_{LED,k} = \frac{I_S R_{TOTAL}}{R_{SEN,k}}$$

where

- I_S is the current of the supply, and (1)

$$\frac{1}{R_{TOTAL}} = \sum_{i=1}^n \frac{1}{R_{SEN,i}} \quad (2)$$

In addition to determining the LED current from the $R_{SEN,k}$ resistor, an external resistor $R_{SL,k}$ connecting between the SEN pin and $R_{SEN,k}$ can be used to fine tune the LED current for the purpose of color temperature adjustment or CRI enhancement. The SEN pin sources a constant bias current I_{SEN} (typically 10.5 μ A for DDA package and 10.29 μ A for the NEC package) such that a constant voltage drop on $R_{SL,k}$ reduces the LED current. Using an external resistor $R_{SL,k}$ affects the current of other LED strings. If $R_{SL,k}$ is added in the k -th LM3466, the corresponding LED current is shown in [Equation 3](#).

$$I_{LED,k} = \left(\frac{(I_S \times R_{TOTAL}) - (I_{SEN} \times R_{SL,k} \times R_{TOTAL}) \times \left(\frac{1}{R_{TOTAL}} - \frac{1}{R_{SEN,k}} \right)}{R_{SEN,k}} \right) \quad (3)$$

and the LED current of other strings is shown in [Equation 4](#).

$$I_{LED,i} = \left(\frac{(I_S \times R_{TOTAL}) + \left(I_{SEN} \times \left(\frac{R_{SL,k} \times R_{TOTAL}}{R_{SEN,k}} \right) \right)}{R_{SEN,i}} \right)$$

where

- $i = 1, 2, \dots, n$ (except k) (4)

The LED current of LED string k is reduced, while the LED current of other channels increases. Figure 14 shows a typical example that the variation of LED current on varying $R_{SL,k}$.

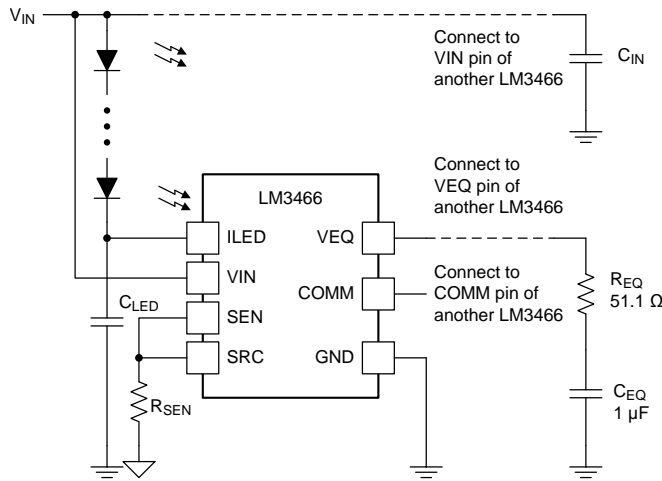


Figure 13. A Single LM3466 within a Lighting System

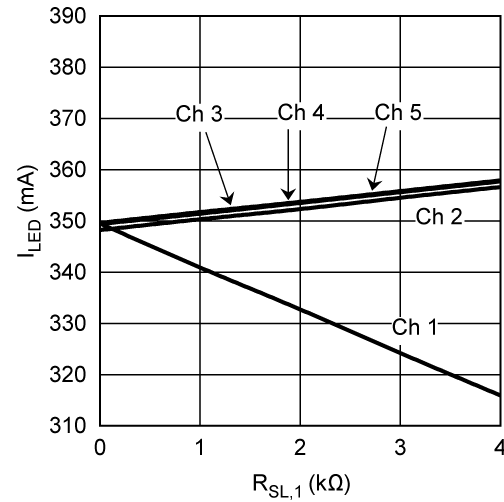


Figure 14. Variation of I_{LED} vs $R_{SL,k}$

LED String Disconnect and Reconnect

One major advantage of the LM3466 lighting system is that the overall brightness can be maintained even if some LED strings open during operation. If an active LED string is suddenly disconnected, the LM3466 automatically balances the current delivered by the supply I_S (i.e. each string increases its LED current in this case) so as to keep I_S constant. However, the current balancing occurs only after the LED string is confirmed inactive. Once the string is disconnected, V_{EQ} cycles (goes up and down). If the string remains disconnected for a period of 253 consecutive cycles, the string is confirmed inactive. Consequently, the current of other LED strings increases to balance I_S . The output power and the overall brightness of the lighting system can be maintained.

If a new LED string connects to the system, such as if the disconnected LED string is reconnected again, a power reset is recommended to ensure proper operation. The forward voltage of the new LED string may be higher than the instantaneous V_{IN} , which corresponds to the forward voltage of the highest active LED string. A power reset ensures that V_{IN} goes to the peak voltage (a default characteristic of a constant current power supply) in order to start up the LED string with the highest forward voltage.

Communication Pin (COMM)

The COMM pin serves as a communication link among all LM3466 in the lighting system. It also indicates the status of the device. The COMM pin is pulled low at startup. After startup, the COMM pin is high or low to indicate that the corresponding LED string is active or inactive.

For proper operation of an LM3466 lighting system, the COMM pin of all LM3466 should be either shorted together or connected through a diode in parallel with a resistor.

Figure 15 shows an optional circuit for the COMM pin to indicate whether each LED string is active by means of small signal LEDs. The COMM pin of each LM3466 is connected to an external test point COMM_ALL through the optional circuit.

The COMM pin is low if the LM3466 is under thermal protection.

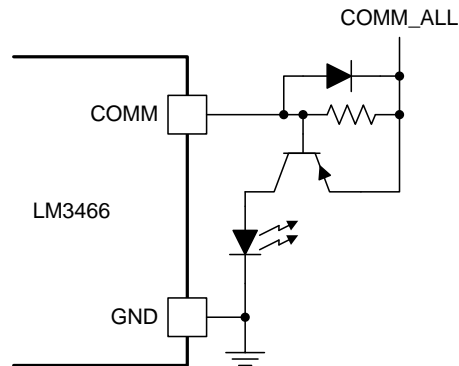


Figure 15. Optional Circuit for the COMM Pin

High Voltage Application

For any application with the forward voltage of an LED string higher than 70 V, which is the maximum operating voltage of the LM3466, an external MOSFET circuit as shown in Figure 16 is recommended for each channel in order to protect the ILED pin from damaging by a high voltage owing to shorting LEDs (or even the whole LED string). To avoid the ILED pin damage from a high voltage generated by the leakage current, a resistor R_{LED} (1 M Ω is suggested) is placed between the ILED pin and ground. In addition, because V_{LED} is higher than 70 V in this case, the VIN pin cannot be directly connected to V_{LED} . External power supplies for V_{IN} and V_G (to drive the external MOSFET) are required. Alternatively, as shown in Figure 17, a circuit for supplying V_{IN} and V_G (for all channels in the system).

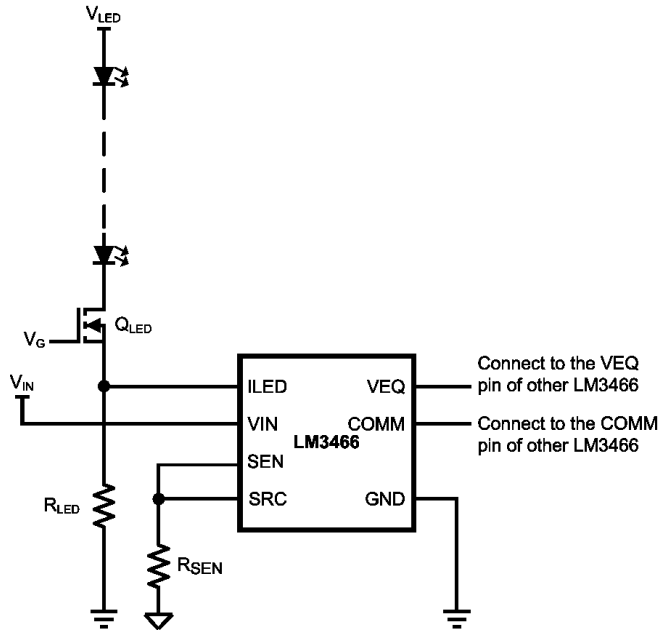


Figure 16. External MOSFET Circuit for High Voltage Applications

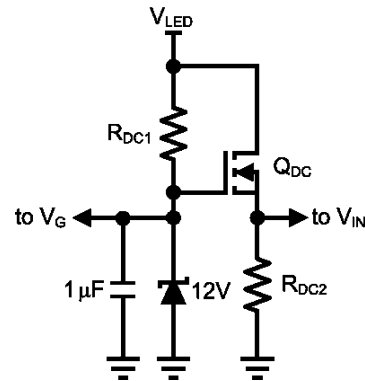


Figure 17. Power Supply Circuit for the External MOSFET Circuit

Thermal Protection

Thermal protection is implemented by an internal thermal shutdown circuit which activates at 150°C (typically) to disable the LM3466. In this case, the integrated power MOSFET turns off and the COMM pin is pulled low. Thermal protection helps prevent catastrophic failures from accidental device overheating. When the junction temperature of the LM3466 falls back below 140°C (typical hysteresis = 10°C), the LM3466 resumes normal operation.

Thermal Latch Off and Derating

If thermal protection cycles for 253 times consecutively, the LM3466 is latched off until power reset.

Thermal derating is required for only the DDA package (but not the NEC package). When fully turned on, the integrated power MOSFET of the LM3466 is capable of conducting a current of 1.5 A below an ambient temperature of 100°C. At 125°C, the LM3466 can conduct a current of 1 A without thermal shutdown with a PCB ground plane copper area of 60 cm², 2 oz/Cu. Figure 18 shows a thermal derating curve for the minimum conducting current of a fully turned on LM3466 integrated power MOSFET without thermal shutdown against an ambient temperature up to 125°C.

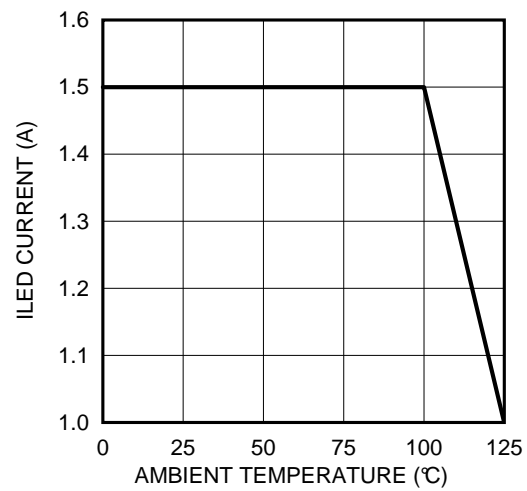


Figure 18. Thermal Derating Curve for the eDDA-8 Package

APPLICATION INFORMATION

Consider a LM3466 lighting system which is powered by a 1.75 A constant current power supply and consists of 5 LED strings with 14 LEDs per string. It is designed that the LED current of every LED string is 0.35 A.

EXTERNAL COMPONENTS

R_{SEN}: To set the LED current of all 5 LED strings equal, the sensing resistors corresponding to all 5 LM3466 are equal. It is recommended that the nominal voltage of the SEN pin V_{SEN} should be around 0.3 V. Therefore, R_{SEN} is selected to be 1 Ω. As a result, V_{SEN} should be 0.35 V if the LED current is 0.35 A.

C_{LED}: If the cable connecting the LED string is long, the parasitic inductance of the cable may generate noise. If this happens, a high quality ceramic capacitor should be connected between the ILED pin and ground. In this example, a 100 V, 1 μF ceramic capacitor is used.

C_{IN}: A high quality ceramic capacitor for decoupling should be connected from the VIN pin to ground. In this example, a 100 V, 0.01 μF ceramic capacitor is used.

R_{EQ} and C_{EQ}: The VEQ pins of all LM3466 are shorted together and then connected to ground through R_{EQ} and C_{EQ}. Only one R_{EQ} and one C_{EQ} are required for each LM3466 lighting system. It is recommended that R_{EQ} be 51.1 Ω and C_{EQ} be 1 μF.

PC BOARD LAYOUT

To minimize the effect of noise, the ground connections of the LM3466 and the sense resistor R_{SEN,k} should be closed. Good heat dissipation helps optimize the performance of the LM3466. The ground plane should be used to connect the exposed pad of the LM3466, which is internally connected to the LM3466 die substrate. The area of the ground plane should be extended as much as possible on the same copper layer above and below the LM3466. Using numerous vias beneath the exposed pad to dissipate heat of the LM3466 to another copper layer is also a good practice.

Additional Application Circuit

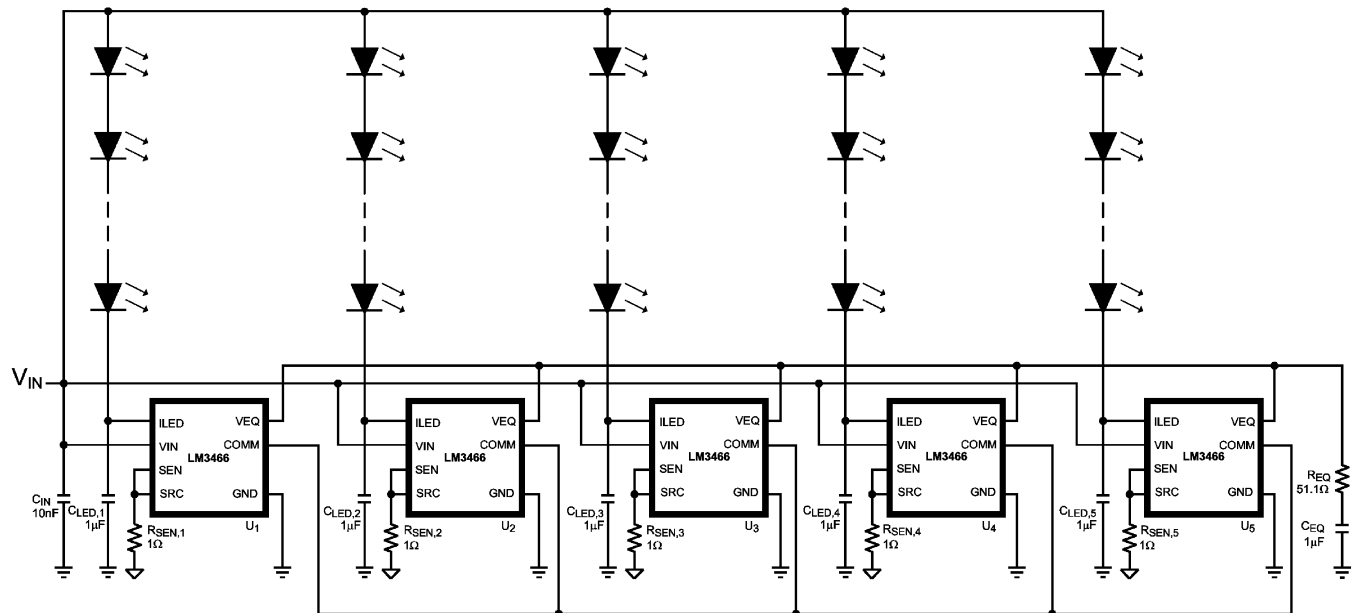


Figure 19. Application Circuit of a LM3466 Lighting System

REVISION HISTORY

Changes from Revision C (May 2013) to Revision D Page

- Changed layout of National Data Sheet to TI format 13
-

Changes from Revision D (MAY 2013) to Revision E Page

- Changed title 1
 - Changed updated layout to TI standards 1
 - Changed updated [SIMPLIFIED APPLICATION](#) 1
 - Added updated Thermal Table 2
 - Changed updated [Equation 3](#) 8
 - Changed updated [Equation 4](#) 8
 - Changed updated [Figure 13](#) 9
-

Changes from Revision E (AUGUST 2013) to Revision F Page

- Changed Electrical Characteristics table. Updated current sense specification. 3
-

PACKAGING INFORMATION

Orderable Device	Status (1)	Package Type	Package Drawing	Pins	Package Qty	Eco Plan (2)	Lead finish/ Ball material (6)	MSL Peak Temp (3)	Op Temp (°C)	Device Marking (4/5)	Samples
LM3466MR/NOPB	ACTIVE	SO PowerPAD	DDA	8	95	RoHS & Green	SN	Level-3-260C-168 HR	-40 to 125	L3466	Samples
LM3466MRX/NOPB	ACTIVE	SO PowerPAD	DDA	8	2500	RoHS & Green	SN	Level-3-260C-168 HR	-40 to 125	L3466	Samples
LM3466TA/NOPB	ACTIVE	TO-220	NEC	7	45	RoHS & Green	SN	Level-1-NA-UNLIM		LM3466 TA	Samples

(1) The marketing status values are defined as follows:

ACTIVE: Product device recommended for new designs.

LIFEBUY: TI has announced that the device will be discontinued, and a lifetime-buy period is in effect.

NRND: Not recommended for new designs. Device is in production to support existing customers, but TI does not recommend using this part in a new design.

PREVIEW: Device has been announced but is not in production. Samples may or may not be available.

OBSOLETE: TI has discontinued the production of the device.

(2) **RoHS:** TI defines "RoHS" to mean semiconductor products that are compliant with the current EU RoHS requirements for all 10 RoHS substances, including the requirement that RoHS substance do not exceed 0.1% by weight in homogeneous materials. Where designed to be soldered at high temperatures, "RoHS" products are suitable for use in specified lead-free processes. TI may reference these types of products as "Pb-Free".

RoHS Exempt: TI defines "RoHS Exempt" to mean products that contain lead but are compliant with EU RoHS pursuant to a specific EU RoHS exemption.

Green: TI defines "Green" to mean the content of Chlorine (Cl) and Bromine (Br) based flame retardants meet JS709B low halogen requirements of <=1000ppm threshold. Antimony trioxide based flame retardants must also meet the <=1000ppm threshold requirement.

(3) MSL, Peak Temp. - The Moisture Sensitivity Level rating according to the JEDEC industry standard classifications, and peak solder temperature.

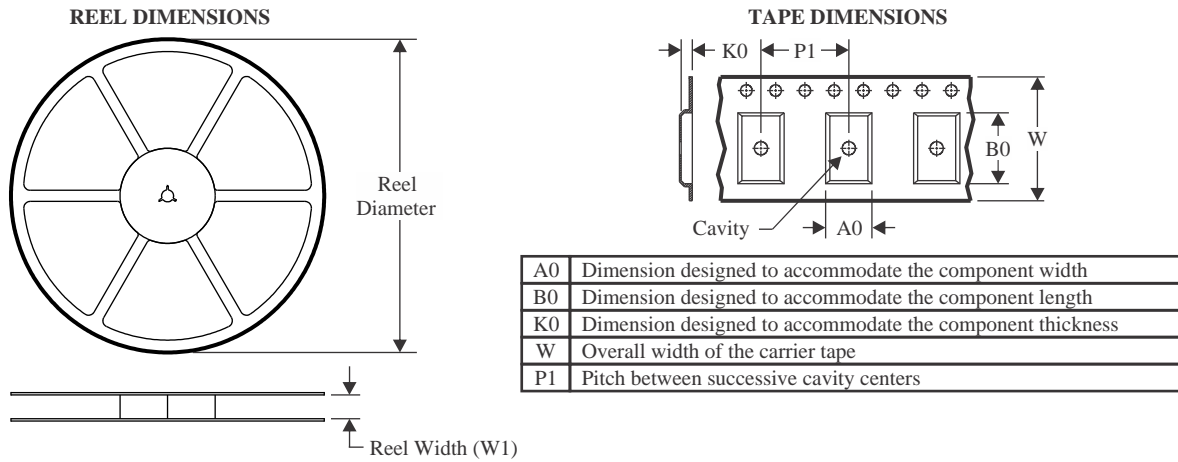
(4) There may be additional marking, which relates to the logo, the lot trace code information, or the environmental category on the device.

(5) Multiple Device Markings will be inside parentheses. Only one Device Marking contained in parentheses and separated by a "-" will appear on a device. If a line is indented then it is a continuation of the previous line and the two combined represent the entire Device Marking for that device.

(6) Lead finish/Ball material - Orderable Devices may have multiple material finish options. Finish options are separated by a vertical ruled line. Lead finish/Ball material values may wrap to two lines if the finish value exceeds the maximum column width.

Important Information and Disclaimer:The information provided on this page represents TI's knowledge and belief as of the date that it is provided. TI bases its knowledge and belief on information provided by third parties, and makes no representation or warranty as to the accuracy of such information. Efforts are underway to better integrate information from third parties. TI has taken and continues to take reasonable steps to provide representative and accurate information but may not have conducted destructive testing or chemical analysis on incoming materials and chemicals. TI and TI suppliers consider certain information to be proprietary, and thus CAS numbers and other limited information may not be available for release.

In no event shall TI's liability arising out of such information exceed the total purchase price of the TI part(s) at issue in this document sold by TI to Customer on an annual basis.

TAPE AND REEL INFORMATION

QUADRANT ASSIGNMENTS FOR PIN 1 ORIENTATION IN TAPE


*All dimensions are nominal

Device	Package Type	Package Drawing	Pins	SPQ	Reel Diameter (mm)	Reel Width W1 (mm)	A0 (mm)	B0 (mm)	K0 (mm)	P1 (mm)	W (mm)	Pin1 Quadrant
LM3466MRX/NOPB	SO PowerPAD	DDA	8	2500	330.0	12.4	6.5	5.4	2.0	8.0	12.0	Q1

TAPE AND REEL BOX DIMENSIONS


*All dimensions are nominal

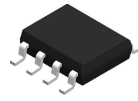
Device	Package Type	Package Drawing	Pins	SPQ	Length (mm)	Width (mm)	Height (mm)
LM3466MRX/NOPB	SO PowerPAD	DDA	8	2500	356.0	356.0	35.0

TUBE


*All dimensions are nominal

Device	Package Name	Package Type	Pins	SPQ	L (mm)	W (mm)	T (μm)	B (mm)
LM3466MR/NOPB	DDA	HSOIC	8	95	495	8	4064	3.05
LM3466TA/NOPB	NEC	PFM	7	45	502	33	6985	4.06

DDA0008A



PACKAGE OUTLINE

PowerPAD™ SOIC - 1.7 mm max height

PLASTIC SMALL OUTLINE



4218825/A 05/2016

PowerPAD is a trademark of Texas Instruments.

NOTES:

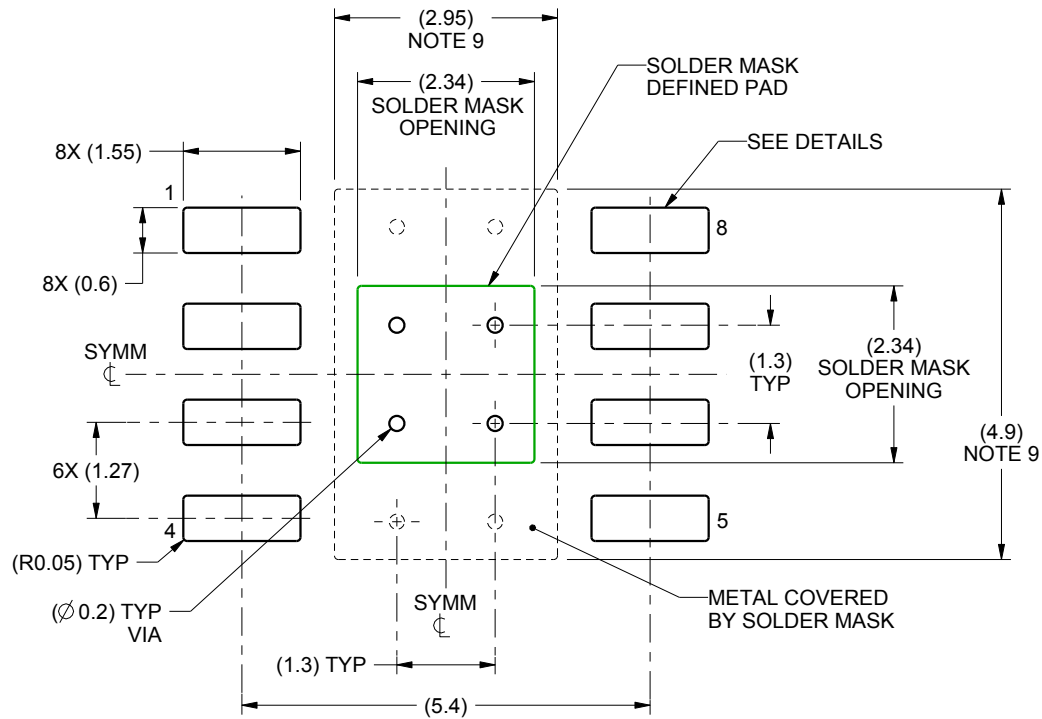
1. All linear dimensions are in millimeters. Any dimensions in parenthesis are for reference only. Dimensioning and tolerancing per ASME Y14.5M.
2. This drawing is subject to change without notice.
3. This dimension does not include mold flash, protrusions, or gate burrs. Mold flash, protrusions, or gate burrs shall not exceed 0.15 mm per side.
4. This dimension does not include interlead flash. Interlead flash shall not exceed 0.25 mm per side.
5. Reference JEDEC registration MS-012.

EXAMPLE BOARD LAYOUT

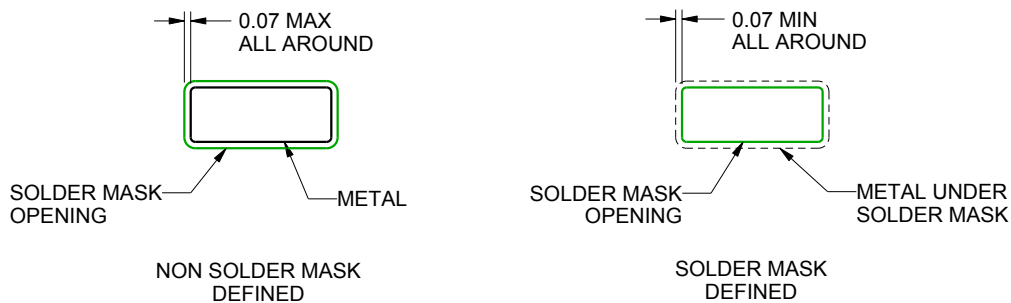
DDA0008A

PowerPAD™ SOIC - 1.7 mm max height

PLASTIC SMALL OUTLINE



LAND PATTERN EXAMPLE
SCALE:10X



SOLDER MASK DETAILS

4218825/A 05/2016

NOTES: (continued)

6. Publication IPC-7351 may have alternate designs.
7. Solder mask tolerances between and around signal pads can vary based on board fabrication site.
8. This package is designed to be soldered to a thermal pad on the board. For more information, see Texas Instruments literature numbers SLMA002 (www.ti.com/lit/slma002) and SLMA004 (www.ti.com/lit/slma004).
9. Size of metal pad may vary due to creepage requirement.
10. Vias are optional depending on application, refer to device data sheet. If any vias are implemented, refer to their locations shown on this view. It is recommended that vias under paste be filled, plugged or tented.

EXAMPLE STENCIL DESIGN

DDA0008A

PowerPAD™ SOIC - 1.7 mm max height

PLASTIC SMALL OUTLINE



SOLDER PASTE EXAMPLE
 EXPOSED PAD
 100% PRINTED SOLDER COVERAGE BY AREA
 SCALE:10X

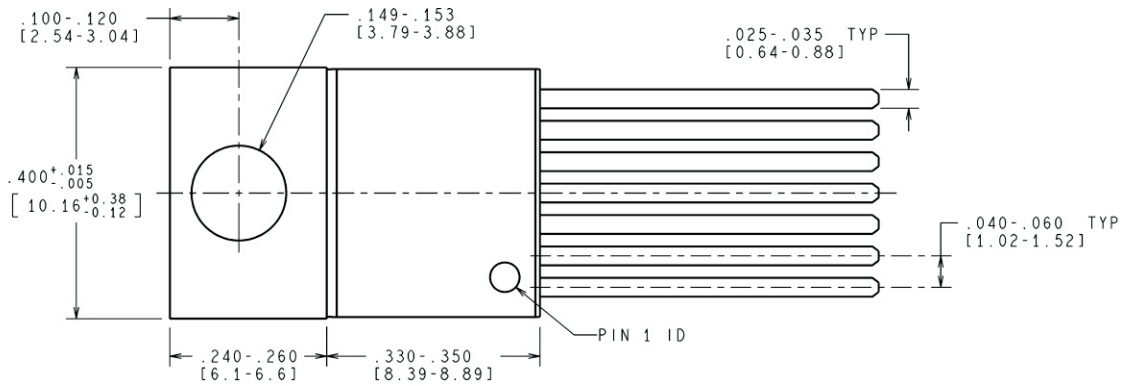
STENCIL THICKNESS	SOLDER STENCIL OPENING
0.1	2.62 X 2.62
0.125	2.34 X 2.34 (SHOWN)
0.150	2.14 X 2.14
0.175	1.98 X 1.98

4218825/A 05/2016

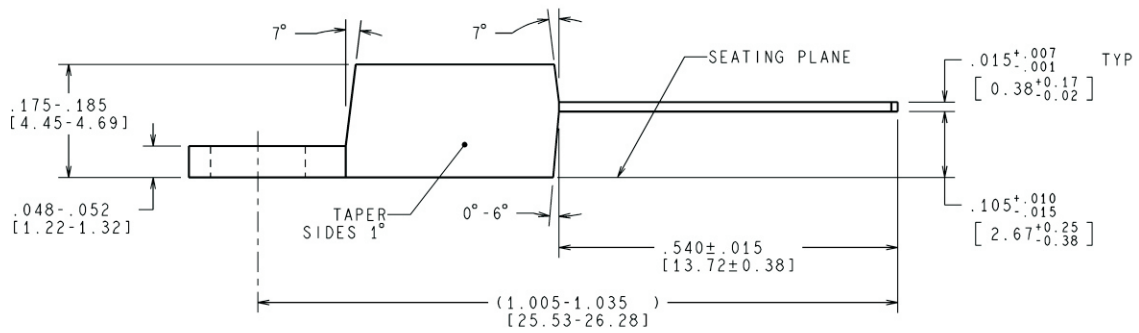
NOTES: (continued)

11. Laser cutting apertures with trapezoidal walls and rounded corners may offer better paste release. IPC-7525 may have alternate design recommendations.
12. Board assembly site may have different recommendations for stencil design.

NEC0007A



CONTROLLING DIMENSION IS INCH
VALUES IN [] ARE MILLIMETERS



TA07A (Rev A)

IMPORTANT NOTICE AND DISCLAIMER

TI PROVIDES TECHNICAL AND RELIABILITY DATA (INCLUDING DATA SHEETS), DESIGN RESOURCES (INCLUDING REFERENCE DESIGNS), APPLICATION OR OTHER DESIGN ADVICE, WEB TOOLS, SAFETY INFORMATION, AND OTHER RESOURCES "AS IS" AND WITH ALL FAULTS, AND DISCLAIMS ALL WARRANTIES, EXPRESS AND IMPLIED, INCLUDING WITHOUT LIMITATION ANY IMPLIED WARRANTIES OF MERCHANTABILITY, FITNESS FOR A PARTICULAR PURPOSE OR NON-INFRINGEMENT OF THIRD PARTY INTELLECTUAL PROPERTY RIGHTS.

These resources are intended for skilled developers designing with TI products. You are solely responsible for (1) selecting the appropriate TI products for your application, (2) designing, validating and testing your application, and (3) ensuring your application meets applicable standards, and any other safety, security, regulatory or other requirements.

These resources are subject to change without notice. TI grants you permission to use these resources only for development of an application that uses the TI products described in the resource. Other reproduction and display of these resources is prohibited. No license is granted to any other TI intellectual property right or to any third party intellectual property right. TI disclaims responsibility for, and you will fully indemnify TI and its representatives against, any claims, damages, costs, losses, and liabilities arising out of your use of these resources.

TI's products are provided subject to [TI's Terms of Sale](#) or other applicable terms available either on ti.com or provided in conjunction with such TI products. TI's provision of these resources does not expand or otherwise alter TI's applicable warranties or warranty disclaimers for TI products.

TI objects to and rejects any additional or different terms you may have proposed.

Mailing Address: Texas Instruments, Post Office Box 655303, Dallas, Texas 75265
Copyright © 2022, Texas Instruments Incorporated