

LM380 2.5W Audio Power Amplifier

Check for Samples: [LM380](#)

FEATURES

- **Wide Supply Voltage Range: 10V-22V**
- **Low Quiescent Power Drain: 0.13W ($V_S = 18V$)**
- **Voltage Gain Fixed at 50**
- **High Peak Current Capability: 1.3A**
- **Input Referenced to GND**
- **High Input Impedance: 150k Ω**
- **Low Distortion**
- **Quiescent Output Voltage is at One-Half of the Supply Voltage**
- **Standard Dual-In-Line Package**

DESCRIPTION

The LM380 is a power audio amplifier for consumer applications. In order to hold system cost to a minimum, gain is internally fixed at 34 dB. A unique input stage allows ground referenced input signals. The output automatically self-centers to one-half the supply voltage.

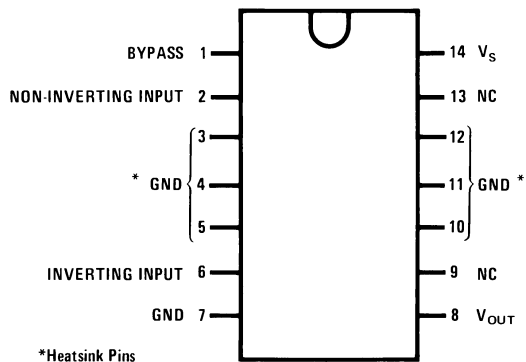
The output is short circuit proof with internal thermal limiting. The package outline is standard dual-in-line. The LM380N uses a copper lead frame. The center three pins on either side comprise a heat sink. This makes the device easy to use in standard PC layouts.

Uses include simple phonograph amplifiers, intercoms, line drivers, teaching machine outputs, alarms, ultrasonic drivers, TV sound systems, AM-FM radio, small servo drivers, power converters, etc.

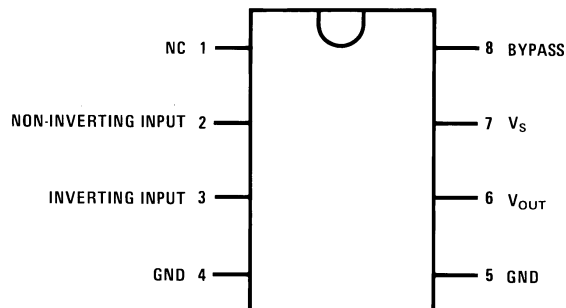
A selected part for more power on higher supply voltages is available as the LM384. For more information see [SNAA086](#).

Connection Diagrams

(Dual-In-Line Packages, Top View)



**Figure 1. 14-Pin PDIP
See NFF0014A Package**



**Figure 2. 8-Pin PDIP
See P Package**



Please be aware that an important notice concerning availability, standard warranty, and use in critical applications of Texas Instruments semiconductor products and disclaimers thereto appears at the end of this data sheet.

Block and Schematic Diagrams

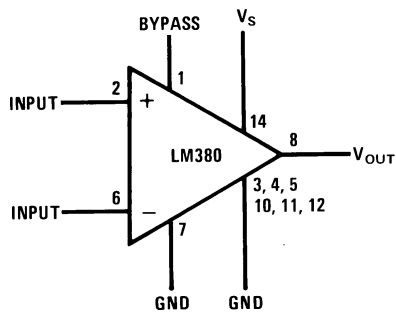


Figure 3. 14-Pin PDIP

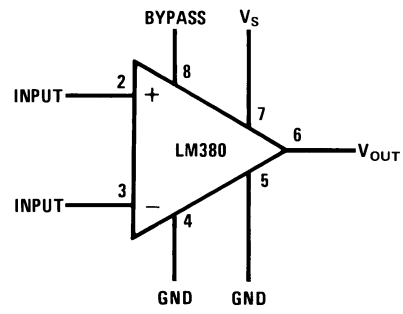


Figure 4. 8-Pin PDIP

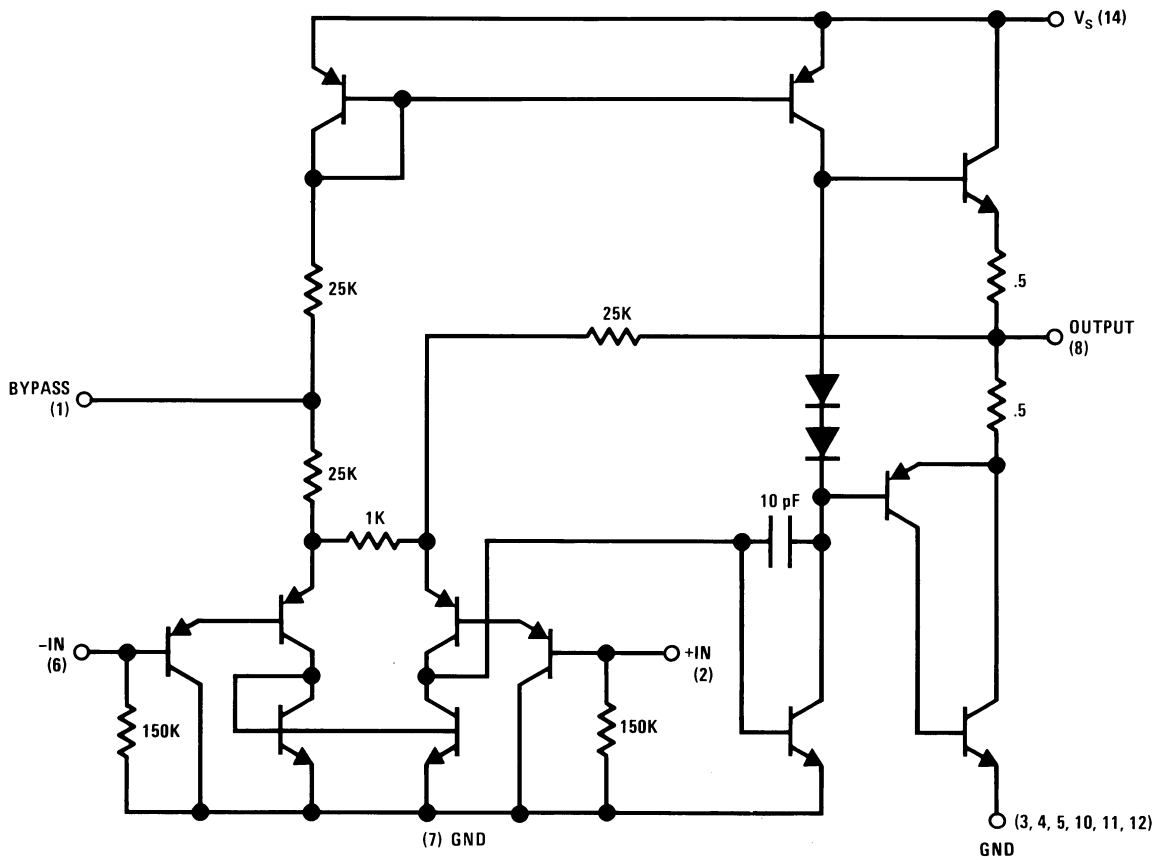


Figure 5.



These devices have limited built-in ESD protection. The leads should be shorted together or the device placed in conductive foam during storage or handling to prevent electrostatic damage to the MOS gates.

Absolute Maximum Ratings⁽¹⁾⁽²⁾

Supply Voltage		22V
Peak Current		1.3A
Package Dissipation	14-Pin PDIP ⁽³⁾	8.3W
	8-Pin PDIP ⁽³⁾	1.67W
Input Voltage		±0.5V
Storage Temperature		–65°C to +150°C
Operating Temperature		0°C to +70°C
Junction Temperature		+150°C
Lead Temperature (Soldering, 10 sec.)		+260°C
ESD rating to be determined		
Thermal Resistance	θ_{JC} (14-Pin PDIP)	30°C/W
	θ_{JC} (8-Pin PDIP)	37°C/W
	θ_{JA} (14-Pin PDIP)	79°C/W
	θ_{JA} (8-Pin PDIP)	107°C/W

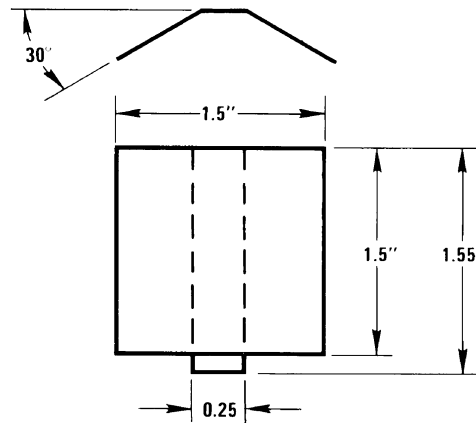
- (1) "Absolute Maximum Ratings" indicate limits beyond which damage to the device may occur. Operating Ratings indicate conditions for which the device is functional, but do not ensure specific performance limits.
- (2) If Military/Aerospace specified devices are required, please contact the Texas Instruments Sales Office/Distributors for availability and specifications.
- (3) The package is to be derated at 15°C/W junction to heat sink pins for 14-pin pkg; 75°C/W for 8-pin.

Electrical Characteristics⁽¹⁾

Symbol	Parameter	Conditions	Min	Typ	Max	Units
$P_{OUT(RMS)}$	Output Power	$R_L = 8\Omega$, THD = 3% ⁽²⁾⁽³⁾	2.5			W
A_V	Gain		40	50	60	V/V
V_{OUT}	Output Voltage Swing	$R_L = 8\Omega$		14		V_{p-p}
Z_{IN}	Input Resistance			150k		Ω
THD	Total Harmonic Distortion	See ⁽³⁾⁽⁴⁾		0.2		%
PSRR	Power Supply Rejection Ratio	See ⁽⁵⁾		38		dB
V_S	Supply Voltage		10		22	V
BW	Bandwidth	$P_{OUT} = 2W$, $R_L = 8\Omega$		100k		Hz
I_Q	Quiescent Supply Current			7	25	mA
V_{OUTQ}	Quiescent Output Voltage		8	9.0	10	V
I_{BIAS}	Bias Current	Inputs Floating		100		nA
I_{SC}	Short Circuit Current			1.3		A

- (1) $V_S = 18V$ and $T_A = 25^\circ C$ unless otherwise specified.
- (2) With device Pins 3, 4, 5, 10, 11, 12 soldered into a 1/16" epoxy glass board with 2 ounce copper foil with a minimum surface of 6 square inches.
- (3) $C_{BYPASS} = 0.47 \mu fd$ on Pin 1.
- (4) The maximum junction temperature of the LM380 is 150°C.
- (5) Rejection ratio referred to the output with $C_{BYPASS} = 5 \mu F$.

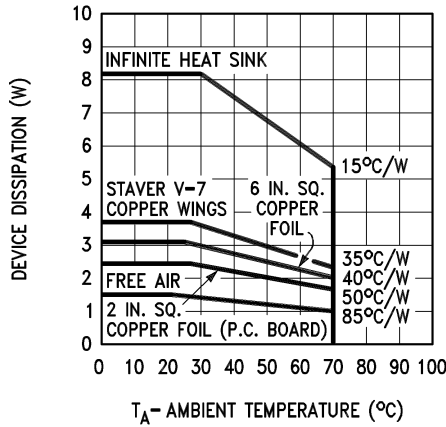
Heat Sink Dimensions



Staver Heat Sink #V-7
Staver Company
41 Saxon Ave.
P.O. Drawer H
Bayshore, NY 11706
Tel: (516) 666-8000
Copper Wings
2 Required
Soldered to
Pins 3, 4, 5,
10, 11, 12
Thickness 0.04
Inches

Typical Performance Characteristics

Maximum Device Dissipation vs Ambient Temperature



T_A – AMBIENT TEMPERATURE ($^{\circ}\text{C}$)
 Note: 2 oz. copper foil, single-sided PC board.

Figure 6.

Device Dissipation vs Output Power—4 Ω Load

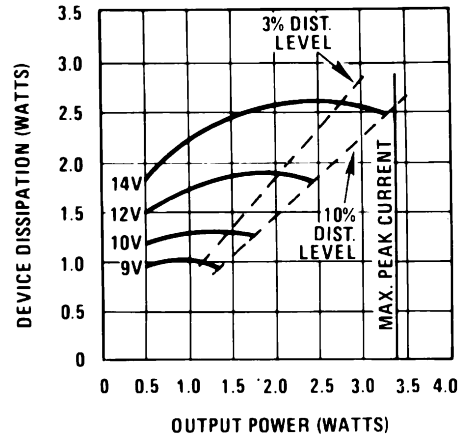


Figure 7.

Device Dissipation vs Output Power—8 Ω Load

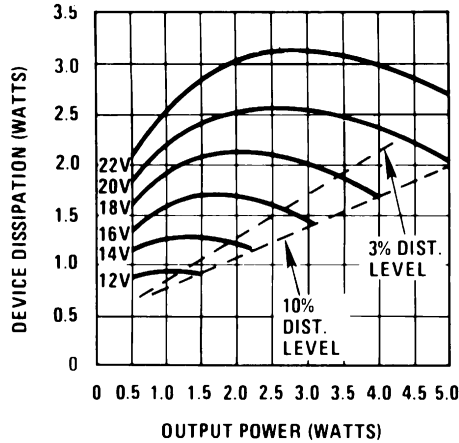


Figure 8.

Device Dissipation vs Output Power—16 Ω Load

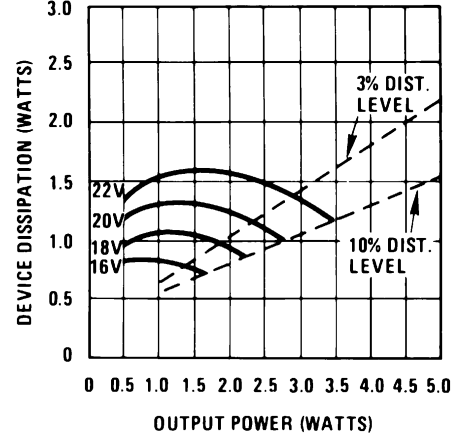


Figure 9.

Power Supply Current vs Supply Voltage

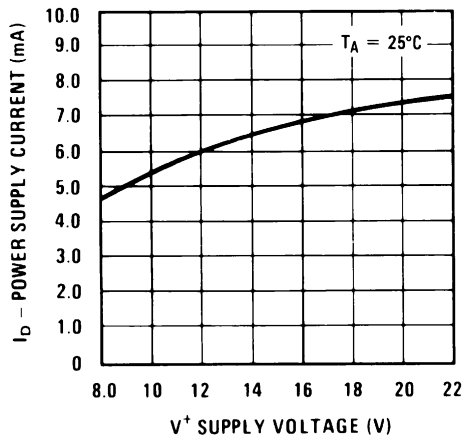


Figure 10.

Total Harmonic Distortion vs Frequency

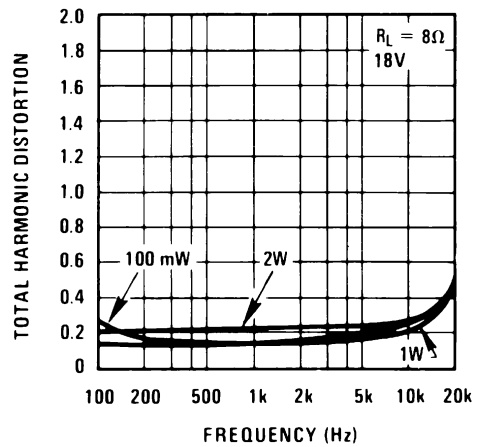


Figure 11.

Typical Performance Characteristics (continued)

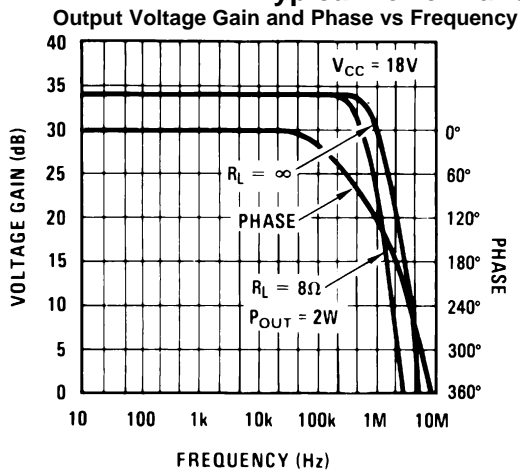


Figure 12.

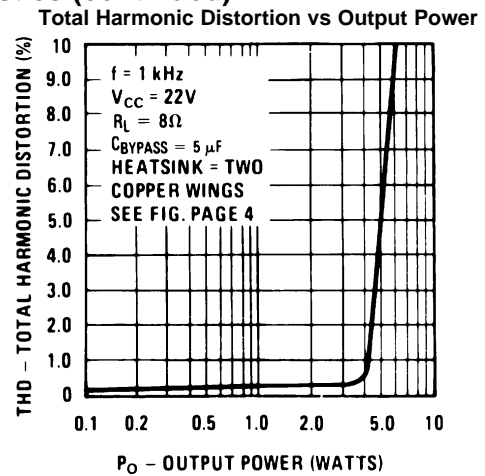


Figure 13.

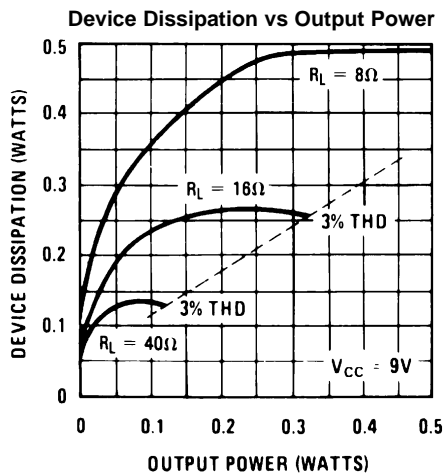


Figure 14.

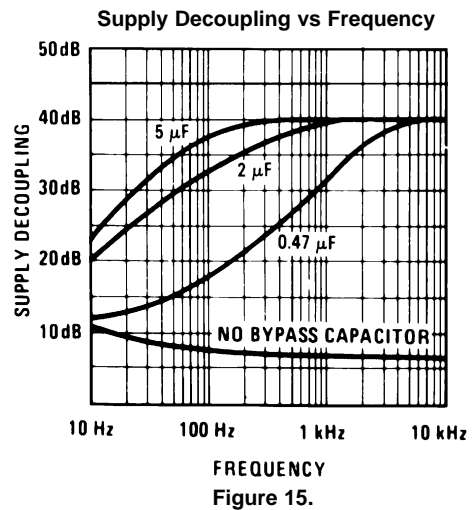


Figure 15.

Typical Applications

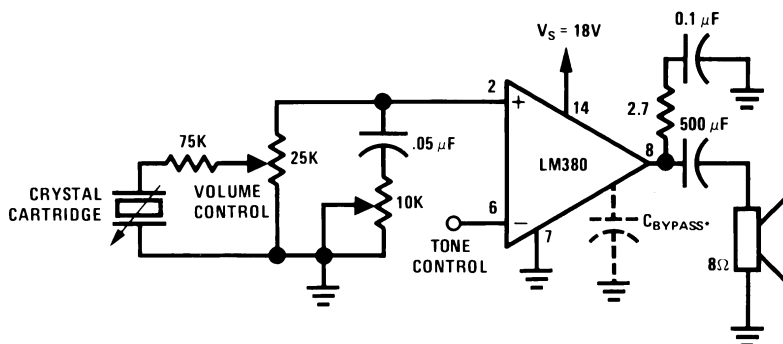


Figure 16. Phono Amplifier

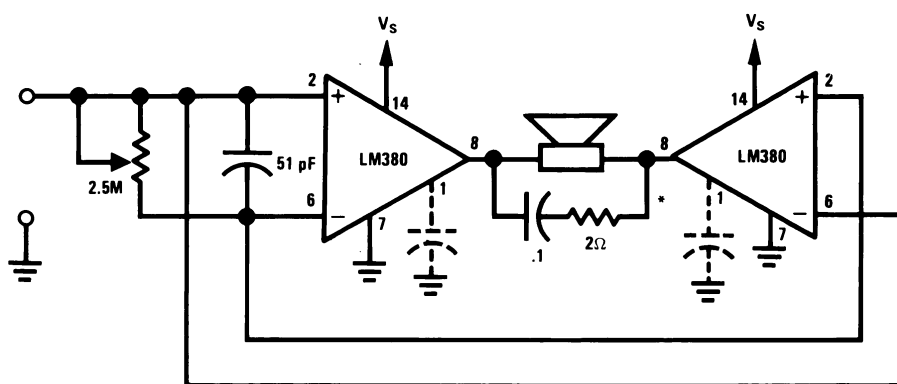
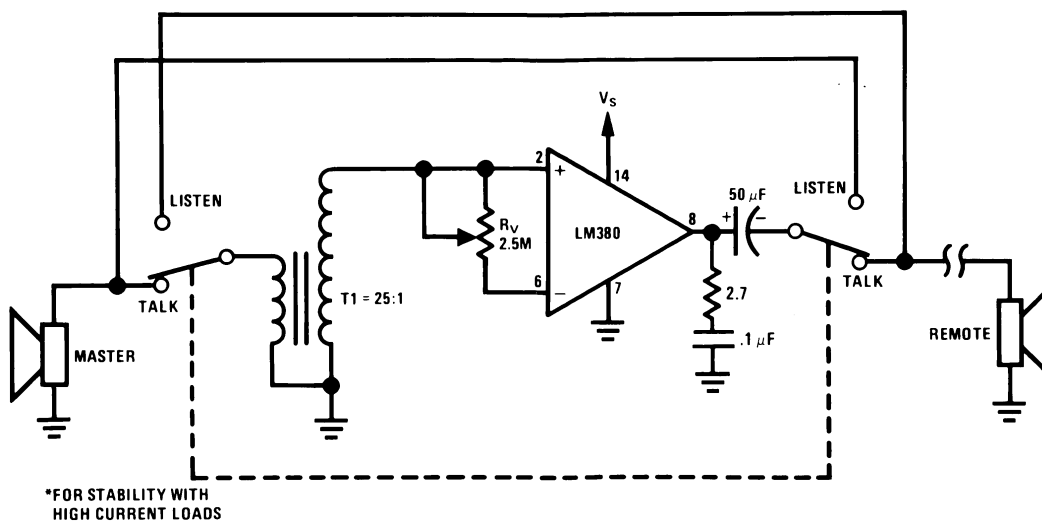


Figure 17. Bridge Amplifier



*FOR STABILITY WITH HIGH CURRENT LOADS

Figure 18. Intercom

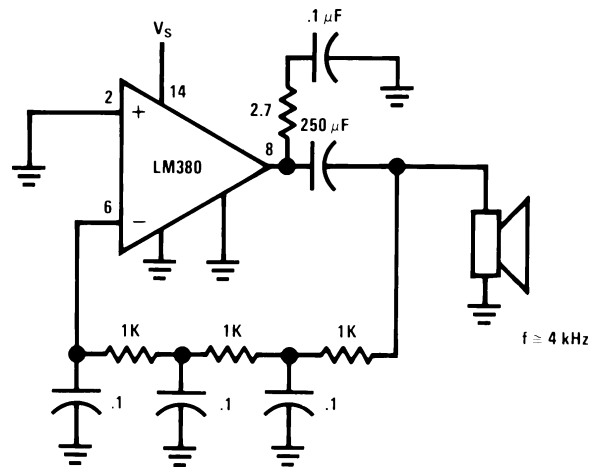


Figure 19. Phase Shift Oscillator

REVISION HISTORY

Changes from Revision B (April 2013) to Revision C	Page
• Changed layout of National Data Sheet to TI format	8

PACKAGING INFORMATION

Orderable Device	Status (1)	Package Type	Package Drawing	Pins	Package Qty	Eco Plan (2)	Lead finish/ Ball material (6)	MSL Peak Temp (3)	Op Temp (°C)	Device Marking (4/5)	Samples
LM380N-8/NOPB	ACTIVE	PDIP	P	8	40	RoHS & Green	NIPDAU	Level-1-NA-UNLIM	0 to 70	LM 380N-8	Samples
LM380N/NOPB	ACTIVE	PDIP	N	14	25	RoHS & Green	Call TI	Level-1-NA-UNLIM	0 to 70	LM380N	Samples

(1) The marketing status values are defined as follows:

ACTIVE: Product device recommended for new designs.

LIFEBUY: TI has announced that the device will be discontinued, and a lifetime-buy period is in effect.

NRND: Not recommended for new designs. Device is in production to support existing customers, but TI does not recommend using this part in a new design.

PREVIEW: Device has been announced but is not in production. Samples may or may not be available.

OBSELETE: TI has discontinued the production of the device.

(2) **RoHS:** TI defines "RoHS" to mean semiconductor products that are compliant with the current EU RoHS requirements for all 10 RoHS substances, including the requirement that RoHS substance do not exceed 0.1% by weight in homogeneous materials. Where designed to be soldered at high temperatures, "RoHS" products are suitable for use in specified lead-free processes. TI may reference these types of products as "Pb-Free".

RoHS Exempt: TI defines "RoHS Exempt" to mean products that contain lead but are compliant with EU RoHS pursuant to a specific EU RoHS exemption.

Green: TI defines "Green" to mean the content of Chlorine (Cl) and Bromine (Br) based flame retardants meet JS709B low halogen requirements of <=1000ppm threshold. Antimony trioxide based flame retardants must also meet the <=1000ppm threshold requirement.

(3) MSL, Peak Temp. - The Moisture Sensitivity Level rating according to the JEDEC industry standard classifications, and peak solder temperature.

(4) There may be additional marking, which relates to the logo, the lot trace code information, or the environmental category on the device.

(5) Multiple Device Markings will be inside parentheses. Only one Device Marking contained in parentheses and separated by a "-" will appear on a device. If a line is indented then it is a continuation of the previous line and the two combined represent the entire Device Marking for that device.

(6) Lead finish/Ball material - Orderable Devices may have multiple material finish options. Finish options are separated by a vertical ruled line. Lead finish/Ball material values may wrap to two lines if the finish value exceeds the maximum column width.

Important Information and Disclaimer:The information provided on this page represents TI's knowledge and belief as of the date that it is provided. TI bases its knowledge and belief on information provided by third parties, and makes no representation or warranty as to the accuracy of such information. Efforts are underway to better integrate information from third parties. TI has taken and continues to take reasonable steps to provide representative and accurate information but may not have conducted destructive testing or chemical analysis on incoming materials and chemicals. TI and TI suppliers consider certain information to be proprietary, and thus CAS numbers and other limited information may not be available for release.

In no event shall TI's liability arising out of such information exceed the total purchase price of the TI part(s) at issue in this document sold by TI to Customer on an annual basis.

TUBE


*All dimensions are nominal

Device	Package Name	Package Type	Pins	SPQ	L (mm)	W (mm)	T (μm)	B (mm)
LM380N-8/NOPB	P	PDIP	8	40	502	14	11938	4.32
LM380N/NOPB	N	PDIP	14	25	502	14	11938	4.32

P (R-PDIP-T8)

PLASTIC DUAL-IN-LINE PACKAGE



- NOTES:
- A. All linear dimensions are in inches (millimeters).
 - B. This drawing is subject to change without notice.
 - C. Falls within JEDEC MS-001 variation BA.

N (R-PDIP-T**)

PLASTIC DUAL-IN-LINE PACKAGE

16 PINS SHOWN



- NOTES:
- A. All linear dimensions are in inches (millimeters).
 - B. This drawing is subject to change without notice.
 - Falls within JEDEC MS-001, except 18 and 20 pin minimum body length (Dim A).
 - The 20 pin end lead shoulder width is a vendor option, either half or full width.

IMPORTANT NOTICE AND DISCLAIMER

TI PROVIDES TECHNICAL AND RELIABILITY DATA (INCLUDING DATA SHEETS), DESIGN RESOURCES (INCLUDING REFERENCE DESIGNS), APPLICATION OR OTHER DESIGN ADVICE, WEB TOOLS, SAFETY INFORMATION, AND OTHER RESOURCES "AS IS" AND WITH ALL FAULTS, AND DISCLAIMS ALL WARRANTIES, EXPRESS AND IMPLIED, INCLUDING WITHOUT LIMITATION ANY IMPLIED WARRANTIES OF MERCHANTABILITY, FITNESS FOR A PARTICULAR PURPOSE OR NON-INFRINGEMENT OF THIRD PARTY INTELLECTUAL PROPERTY RIGHTS.

These resources are intended for skilled developers designing with TI products. You are solely responsible for (1) selecting the appropriate TI products for your application, (2) designing, validating and testing your application, and (3) ensuring your application meets applicable standards, and any other safety, security, regulatory or other requirements.

These resources are subject to change without notice. TI grants you permission to use these resources only for development of an application that uses the TI products described in the resource. Other reproduction and display of these resources is prohibited. No license is granted to any other TI intellectual property right or to any third party intellectual property right. TI disclaims responsibility for, and you will fully indemnify TI and its representatives against, any claims, damages, costs, losses, and liabilities arising out of your use of these resources.

TI's products are provided subject to [TI's Terms of Sale](#) or other applicable terms available either on ti.com or provided in conjunction with such TI products. TI's provision of these resources does not expand or otherwise alter TI's applicable warranties or warranty disclaimers for TI products.

TI objects to and rejects any additional or different terms you may have proposed.

Mailing Address: Texas Instruments, Post Office Box 655303, Dallas, Texas 75265
Copyright © 2022, Texas Instruments Incorporated