

新品 变更



产 品 规 格 书

SPECIFICATION FOR APPROVAL

产品名称 Product Name:	石英晶体谐振器 Quart crystal unit
产品型号 Product Type:	SMD3225
标称频率 Nominal Freq:	40.000000 MHz
明德亨料号 MDH P/N:	2.3.3.400000919
客户料号 Customer P/N:	

客户承认
Approved By Customer

签章
Signature:

日期
Date:

Date: 2020年9月10日

批准	审核	拟制
Accepted	Checked	Issued
林宗宏	马赛	乔润国

烟台明德亨电子科技有限公司
YanTai MDH Technology Co.,Ltd
ADD.: 中国山东烟台开发区黑龙江路6号
No.6 Heilongjiang Road Yantai Development Zone,
Shandong, China
TEL: 86-535-6372640 FAX: 86-535-6394876

E-Mail: dynamic@public.ytppt.sd.cn

四川明德亨电子科技有限公司
SiChuan MDH Technology Co.,Ltd
ADD.: 中国四川泸州纳溪区东兴路1号
No.1 Dongxing Road Naxi Zone, Luzhou,
Sichuan,China
TEL: 86-830-2800890

<http://www.mingdeheng.com>

RoHS Compliant

SMD3225	QUARTZ CRYSTAL UNIT	MDH P/N	2.3.3.400000919		
		REV.	01	PAGE	3/10

CONTENT

NO.	ITEM	PAGE
1	石英晶体一般规格及特性 Product specification and features	4
2	石英晶体外观尺寸 Product outline dimension	5
3	石英晶体内部结构及印字 Product internal structure and marking	6
4	石英晶体之可靠性 Product reliability	7-9
5	生产商及产地说明 Manufacturer and origin	10

SMD3225

QUARTZ CRYSTAL UNIT

MDH P/N

2.3.3.400000919

REV.

01

PAGE

4/10

1 石英晶体产品规格及特性 / Product specification and features

1.1 一般特性 / General characteristics

Items	Electrical spec.			Unit	Notes
	Min.	Typ.	Max.		
1.Frequency(FL)	40.000000			MHz	-
2.Mode of oscillation	Fundamental			-	-
3.Crystal Cutting Type	AT-CUT			-	Thickness shear mode
4.Frequency tolerance	-8	~	8	ppm	At 25°C±3°C
5.Loading capacitance(CL)	9			pF	-
6.Equivalent resistance(RR)	-	-	40	Ω	Series(ESR)
7.Drive Level (DL)	0.01	100	150	uW	-
8.Temperature stability	-10	~	10	ppm	Ref. to 25°C
9.Operating temperature range	-30	~	85	°C	-
10.Storage temperature range	-55	~	125	°C	-
11.Shut Capacitance(C0)	-	-	3	pF	-
12.RLD2	-	-	40	Ω	-
13.SPDB	-	-	-3	dB	-
14.Aging	-	-	3	ppm/Year	Per Year
15.Insulation Resistance	500	-	-	MΩ	DC 100±10V

SMD3225

QUARTZ CRYSTAL UNIT

MDH P/N

2.3.3.400000919

REV.

01

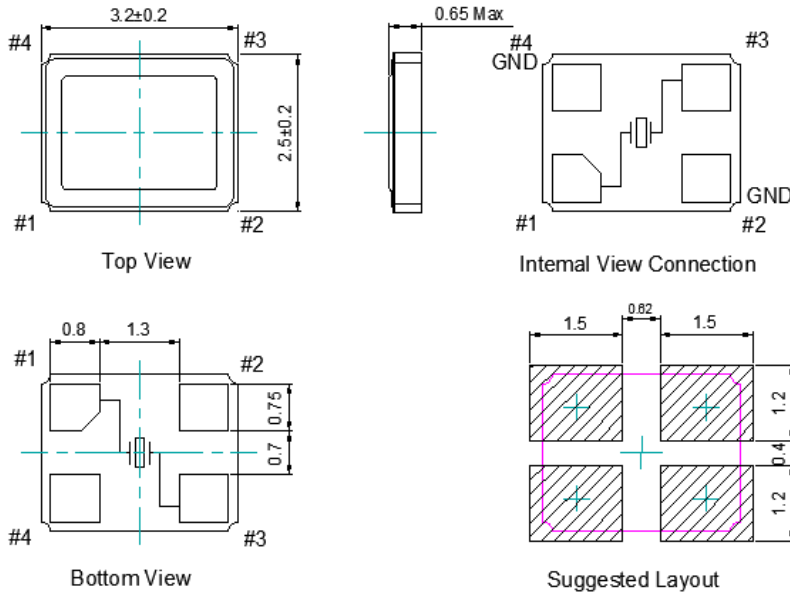
PAGE

5/10

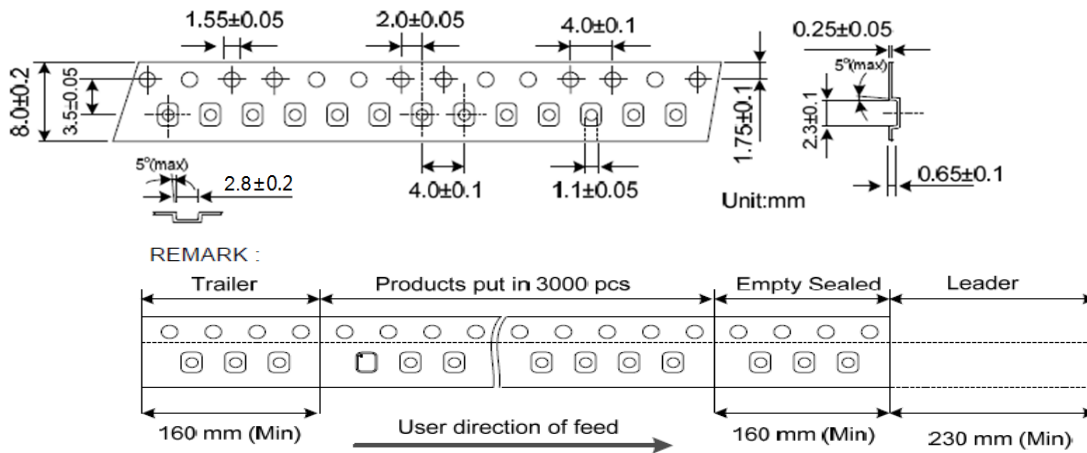
2.0 外形尺寸、外观 / Outline dimensions、Appearances

2.1 产品外形尺寸(mm)/ Product outline dimension(mm)

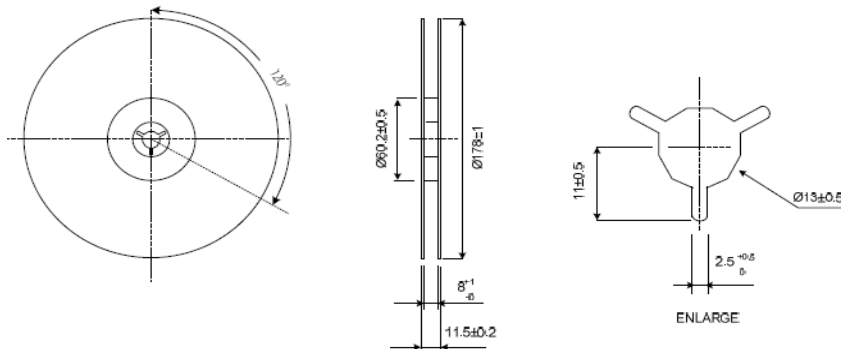
Unit:mm



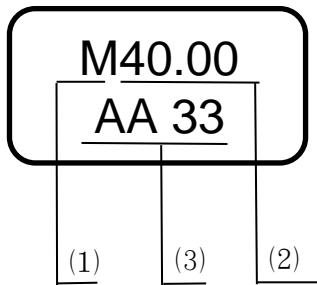
2.2 载带外形尺寸图 (mm) /Carrier Dimensional Drawing (mm)



2.3 编带盘外形尺寸图(mm) /Reel Dimensional Drawing (mm)

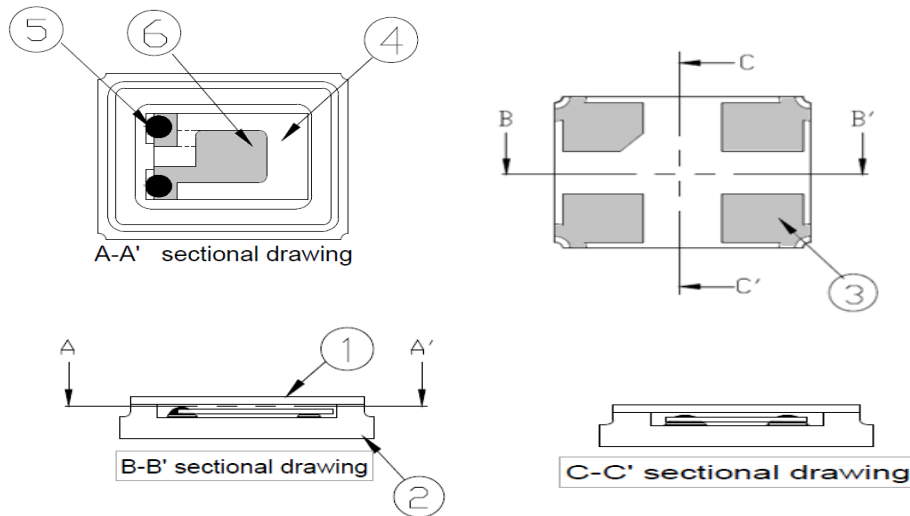


2.4 印字 Marking



- (1) 代表公司Logo
- (2) 代表标称频率
- (3) 代表批次号

3.0 内部构造图 / Product internal structure



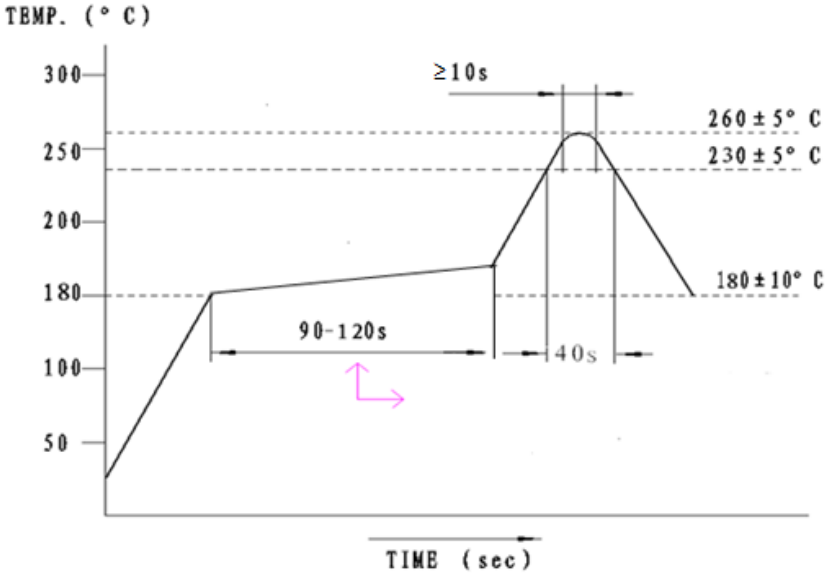
封装方式/Seal		激光封装	质量 (参考值)		0.0144g
NO.	材料名/Material	备注/Notes	NO.	材料/Material	备注/Notes
1	金属盖板/LID	Fe-Ni-Co	5	导电胶 /Conductive achhesive	/
2	陶瓷/Ceramics	黑色/Color black	6	银/Ag	形状例/Form isexample
3	引脚 /Pad	镀镍/镀金 Ni plating/Au plating			
4	晶片/Crystal (SiO2)	晶片 /Crystal Water			

SMD3225	QUARTZ CRYSTAL UNIT	MDH P/N	2.3.3.400000919		
		REV.	01	PAGE	7/10

4.0 石英晶体之可靠性 / Product reliability

项目 (Item)	条件 (Condition)	结果 (Result)
A.1	耐低温性 (耐寒性) 测试 (Cold resistance)	(I)
	Stored at $-40\pm 2^{\circ}\text{C}$ for 500 ± 2 hrs then $25\pm 2^{\circ}\text{C}$ 2 hrs before testing	
A.2	耐高温性 (耐热性) 测试 (Heat resistance)	(I)
	Stored at $125\pm 2^{\circ}\text{C}$ for 500 ± 2 hrs then $25\pm 2^{\circ}\text{C}$ 2 hrs before testing	
A.3	耐湿热性 (Humidity Resistance Result)	(I)
	稳态温度: $85\pm 2^{\circ}\text{C}$; 湿度: $85\pm 3\% \text{RH}$; 时间: 500 ± 2 hrs Steady temperature: $85\pm 2^{\circ}\text{C}$; humidity: $85\pm 3\% \text{RH}$; time: 500 ± 2 hrs	
A.4	老化测试 (Aging)	(I)
	Stored at $85\pm 2^{\circ}\text{C}$ for 720 ± 2 Hrs then $25\pm 2^{\circ}\text{C}$ 2 Hrs before testing Stored at $25\pm 2^{\circ}\text{C}$ for 1 year	
A.5	气密性 (Leakage)	(IV)
	细漏 Fine leak: Put the product in the Helium pressure tank, $4 \sim 5 \text{kgf/cm}^2$, 0.5hrs.	
A.6	冷热冲击实验 温度循环 (Temperature Cycle)	(I)
	<p>$-55^{\circ}\text{C} \sim 125^{\circ}\text{C}$, Retain 15Min, 100 cycles</p> <p>温度循环 (Temperature Cycle)</p>	

4.1 机械性能 / Mechanism characteristics

B.1	跌落测试 (Drop Test) Device are dropped from a height of 150 cm onto 20mm thickness stainless plate executing 3 times of random drops.	(I)
B.2	耐振性 (Resistance of Vibration) Frequency: 10~55Hz, amplitude(total excursion): 1.5mm±15%,3 direction (X,Y,Z) each 2 hrs then 25±2℃ 2 hrs before testing	(I)
B.3	可焊性试验 (Solderability) 245±5℃, 5±1s	(III)
B.4	耐焊接热 (Reflow) Resistance to soldering heat (Reflow) 参考曲线图 (Reference Curve) :	(I)
 <p>The graph shows a reflow temperature profile. The y-axis is labeled 'TEMP. (° C)' with values 50, 100, 180, 200, 250, 300. The x-axis is labeled 'TIME (sec)'. The curve starts at 50°C, rises to 180°C over a time interval of 90-120s (indicated by a pink arrow). It then rises to a peak of 260±5°C, which is maintained for at least 10 seconds (≥10s). The temperature then falls to 180±10°C over a time interval of 40s.</p>		

SMD3225

QUARTZ CRYSTAL UNIT

MDH P/N

2.3.3.400000919

REV.

01

PAGE

9/10

项目 Item	结果编号Result NO.	规格要求 Specification Requirements
1	(I)	频率变化 $<\pm 10\text{ppm}$; 电阻变化 $<\pm 5\Omega$ 或规格电阻的 $\pm 15\%$, 取大者 Frequency variation $<\pm 10\text{ppm}$; Resistance variation $<\pm 5\Omega$ or $\pm 15\%$ of RR spec., select the bigger value.
2	(II)	频率变化 $<\pm 10\text{ppm}$; 电阻变化 $<\pm 10\Omega$ 或规格电阻的 $\pm 20\%$, 取大者 Frequency variation $<\pm 10\text{ppm}$; Resistance variation $<\pm 10\Omega$ or $\pm 20\%$ of RR spec., select the bigger value.
3	(III)	上锡覆盖率高于95% The covering rate of Tin-plating is more than 95%.
4	(IV)	$<1 \cdot 10^{-9}\text{Pa}\cdot\text{m}^3/\text{s}$ Max

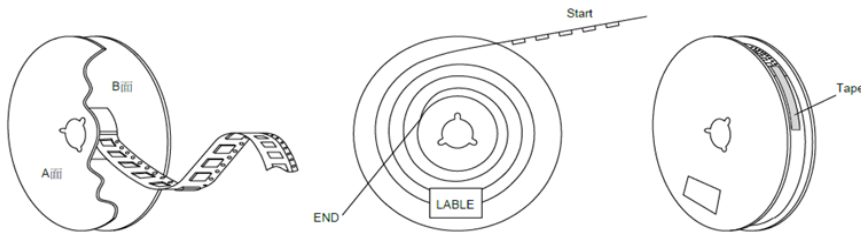
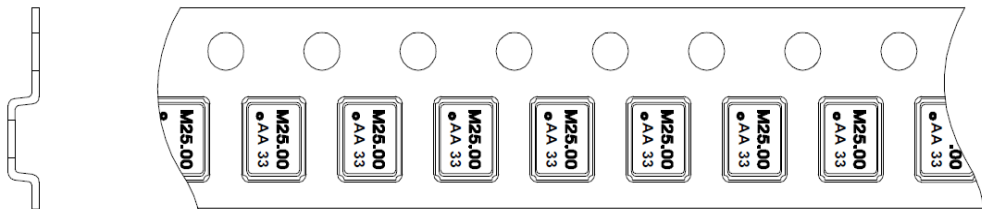
SMD3225	QUARTZ CRYSTAL UNIT	MDH P/N		2.3.3.400000919	
		REV.	01	PAGE	10/10

5.0 生产商及产地说明 / Manufacturer and origin

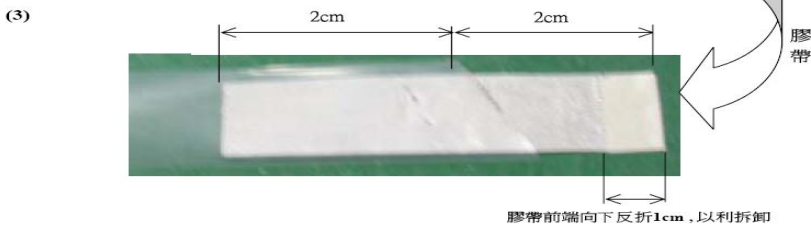
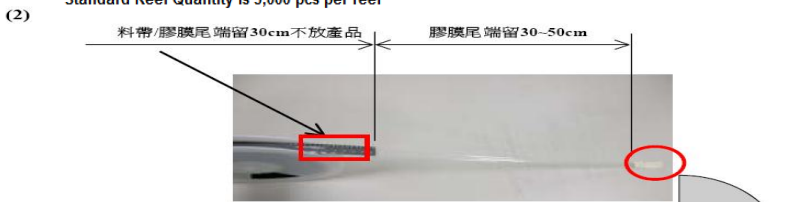
生产商/Manufacturer: 烟台明德亨电子科技有限公司 _____
 YanTai MDH Technology Co.,Ltd

四川明德亨电子科技有限公司 _____
 SiChuan MDH Technology Co.,Ltd

5.1 包装规格 Package specification



Standard Reel Quantity is 3,000 pcs per reel



膠帶前端向下反折1cm, 以利拆卸

165°~180°

