

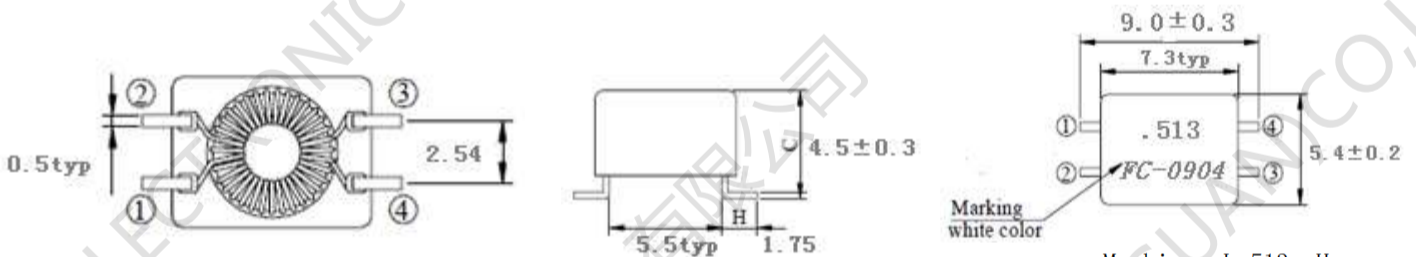
SMD Common Mode Line Filter

FC-SLF0904 –Series

Small si
 Frequency Range: 1MHz, 0.1 Vrms
 Low Primary DCR version
 Ambient temperature -40°C to $+85^{\circ}\text{C}$
 Storage temperature Component: -40°C to $+125^{\circ}\text{C}$



1. Dimensions:mm



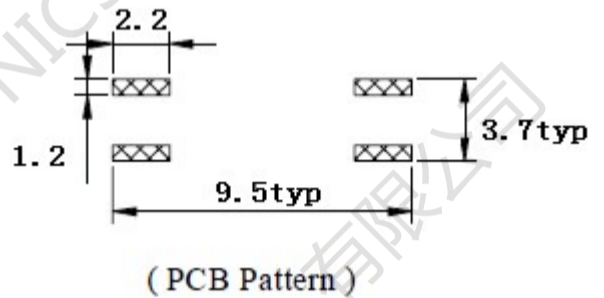
Marking: L=513=nH
 L=510=uH

L 值等同，美规和国标单

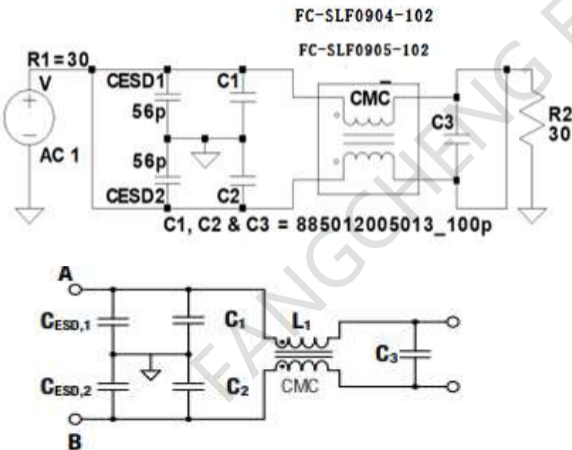
2.Schematic:



3.LAYOUT RECOMMENDATION:(mm)



4.Application Fig:





方成电子 (东莞) 有限公司

FC-SLF0904 -Series SMD Common Mode Line Filter

5. ELECTRIC CHARACTERICS

| Part Number | Turns Ration | Inductance (uH) | LK(uH) Typ.(2-3 short) | RDC (Ω) | Current Rating ₂ (mA) |
|--------------------|--------------|-----------------|---------------------------|------------|----------------------------------|
| | | | | 1-4 2-3 | |
| FC-SLF0904-110NL | 1:1 | 11.0±25% | 0.05 | 0.12 | 800 |
| FC-SLF0904-250NL | 1:1 | 25.0±25% | 1.50 | 0.20 | 800 |
| FC-SLF0904-513NL | 1:1 | 51.0±25% | 2.00 | 0.14 | 800 |
| FC-SLF0904-513D-NL | 1:1 | 51.0±25% | 0.07 | 0.14 | 800 |
| FC-SLF0904-101NL | 1:1 | 100.0±25% | 0.85 | 0.10 | 700 |
| FC-SLF0904-471NL | 1:1 | 470.0±25% | 0.28 | 0.28 | 500 |
| FC-SLF0904-102NL | 1:1 | 1000.0±25% | 0.29 | 0.40 | 500 |
| FC-SLF0904-472NL | 1:1 | 4700.0±25% | 0.30 | 0.70 | 400 |

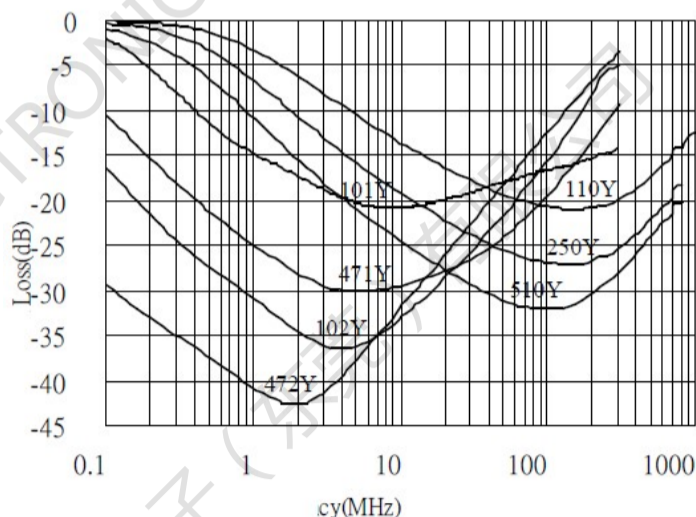
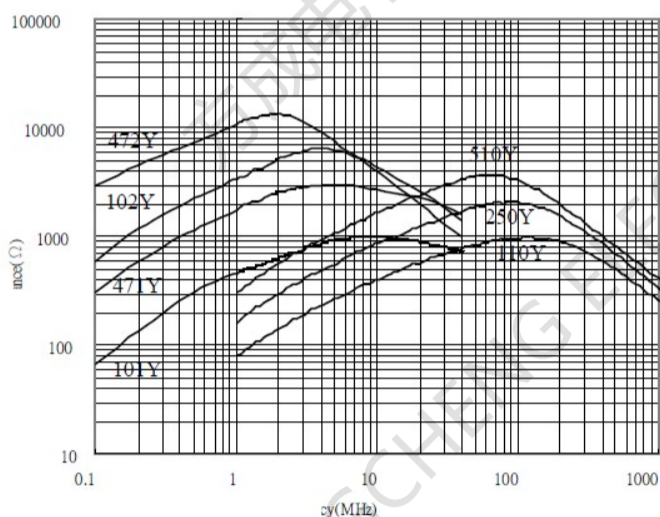
Electrical Specifications @ 25°C — Operating Temperature -40°C to +125°C.

Test equipment : Inductance 100KHZ/0.1V

Rated voltage 80 Vdc / 42 Vac

Hi-Pot (N-N) : 250 Vac / 60 Hz , 3 mA / 1sec

6.CHARACTERISTICS CURVE :



Impedance. vs Frequency Insertion loss VS. Frequency