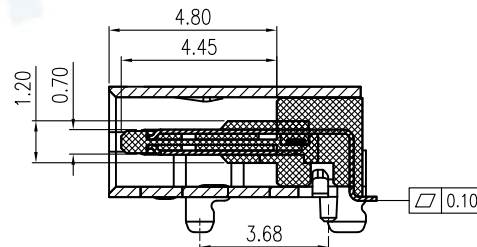
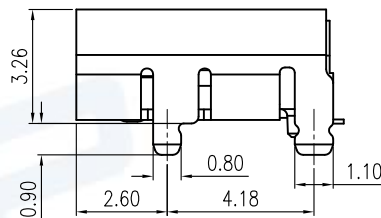


RECOMMENDED PCB LAYOUT (T=0.80)  
TOLERANCES UNLESS OTHERWISE SPEC. ±0.05

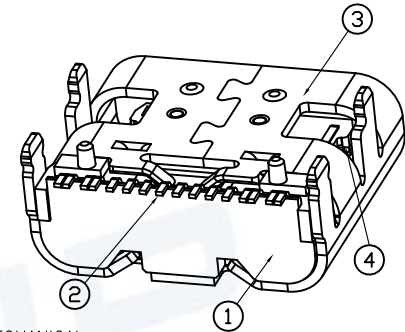


SECTION:A-A

PIN ASSIGNMENTS

PIN	SIGNAL NAME	PIN	SIGNAL NAME
A1	GND	B12	GND
A4	VBUS	B9	VBUS
A5	CC1	B8	SBU2
A6	Dp1	B7	Dn2
A7	Dn1	B6	Dp2
A8	SBU1	B5	CC2
A9	VBUS	B4	VBUS
A12	GND	B1	GND

REV.	DESCRIPTION OF REVISIONS	APPR.	CHKD.	DRAW.	DATE
1	Original reversion	lucky	lucky	Roy	2019.04.22
2	Add product model	lucky	lucky	Roy	2020.03.19
3	Add product model	lucky	lucky	Roy	2020.07.19
4	Add product model	lucky	lucky	Roy	2021.11.16
5	Full the product model	lucky	lucky	Roy	2022.02.25



NOTE:

- MECHANICAL:
  - 1-1 Insertion force: 5~20N
  - 1-2 Extraction force: 8~20N
  - Extraction force: 10000 CYCLES 6~20N
  - 1-3.FREQUENCE:500±50 CYCLES/HOUR,10000 CYCLES;
- ELECTRICAL CHARACTERISTICS:
  - 2-1. CURRENT RATING:
    - VBUS Pins (A4,A9,B4,B9): 5.0A,
    - Vconn(B5)/GND(A1,A12,B1,B12) : 1.25A
    - Other All Pins 0.25A
  - 2-2. INITIAL CONTACT RESISTANCE:40mΩ Max.
  - 2-3. INSULATION RESISTANCE:100MΩ MIN
  - 2-4. WITHSTANDING VOLTAGE:100V AC,1 MINUTE;
- ENVIRONMENTAL
  - TEMPERATURE RANGE: -40°C TO +85°C.

Model No.	PLATING
U20401-1	3U"
U20401-3	1U"
U20401-4	15U"

ITEM	PART NAME	Q'TY	MATERIAL	FINISH
①	Molding	1	THERMOPLASTIC	Black, UL94V-0
②	CONTACT	1	HIGH CONDUCTIVITY COPPER	Contact area:Gold plated over Ni.
③	SHELL	1	STAINLESS STEEL	Ni plated over all
④	MID-PLATE	1	STAINLESS STEEL	Cleaning

Unless Otherwise specified, other tolerance are:

X. ±0.40	X'. ±5°
X.X ±0.30	X.X' ±4°
X.XX ±0.25	X.XX' ±3°
X.XXX±0.15	X.XXX'±2°

**MUP** MUP INDUSTRIAL CO.,LTD.

NAME: **USB Type C SINGLE-Row SMT Receptacle**

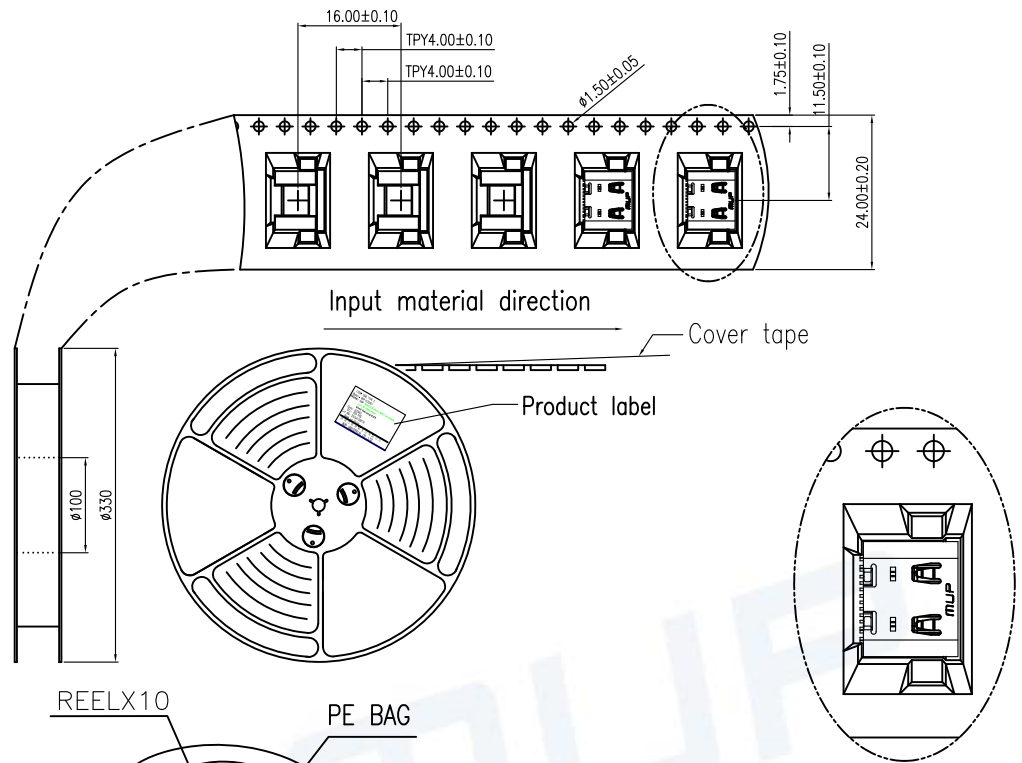
MODEL No: **MUP-U20401-X**

TYPE : **16Pin & With Post on board L=7.35**

APPR.	LUCKY/2020.03.19	PRAT NO.:	U20401-X	DWG NO.:	DWG-U20401-X-001
CHKD.	LUCKY/2020.03.19	PROJ.	U20401-X	UNIT	mm
DRAW.	Roy/2020.03.19	SCALE	1:1	SHEET	1/2
				REVISION	5

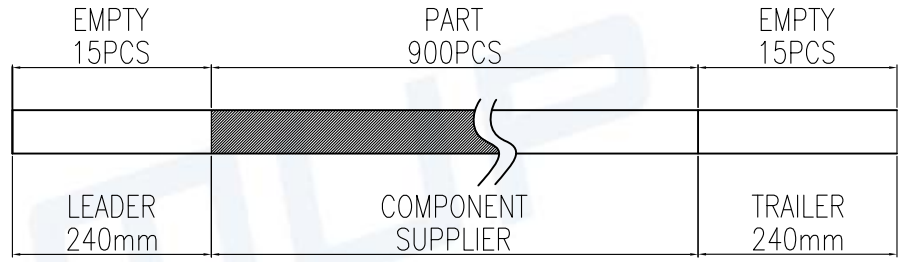


REV.	DESCRIPTION OF REVISIONS	APPR.	CHKD.	DRAW.	DATE
△	Original reversion	lucky	lucky	Roy	2019.04.22
△	Add product model	lucky	lucky	Roy	2020.03.19
△	Add product model	lucky	lucky	Roy	2020.07.19
△	Add product model	lucky	lucky	Roy	2021.11.16
△	Fold the product model	lucky	lucky	Roy	2022.02.25

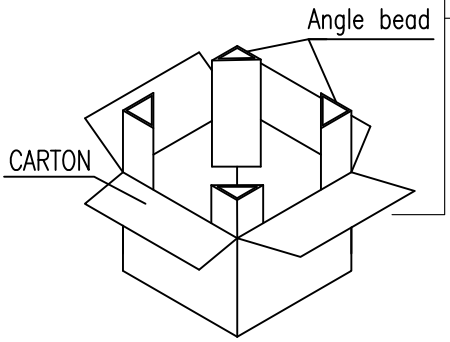
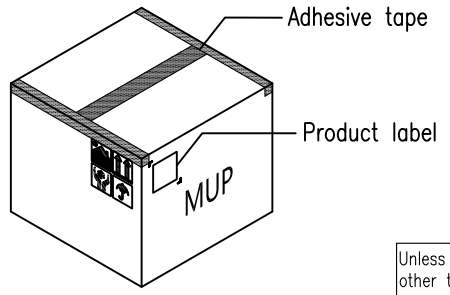
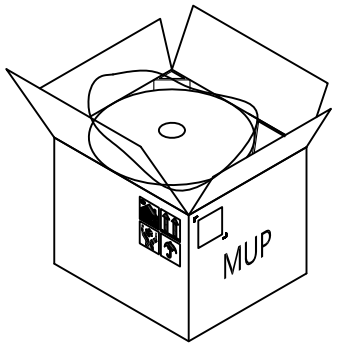
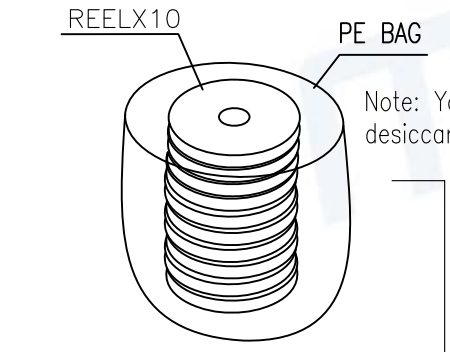


NOTES

1. NUMBER OF CONNECTORS:900PCS/REEL
2. LEAD TAPE LENGTH



3. QUANTITY:9000/CARTON
4. WEIGHT :
  - 4.1 NET WEIGHT : 4.1 Kg
  - 4.2 GROSS WEIGHT : 9.4 Kg



Unless Otherwise specified, other tolerance are:

X. ±0.40	X°. ±5°
X.X ±0.30	X.X° ±4°
X.XX ±0.25	X.XX° ±3°
X.XXX±0.15	X.XXX°±2°
APPR.	LUCKY/2020.03.19
CHKD.	LUCKY/2020.03.19
DRAW.	Roy/2020.03.19

<b>MUP</b> MUP INDUSTRIAL CO.,LTD.	
NAME: <b>USB Type C SINGLE-Row SMT Receptacle</b>	
MODEL No: <b>MUP-U20401-X</b>	
TYPE : <b>16Pin &amp; With Post on board L=7.35</b>	
APPR.	LUCKY/2020.03.19
CHKD.	LUCKY/2020.03.19
DRAW.	Roy/2020.03.19
PROJ.	UNIT mm
SCALE	1:1
SHEET	2/2
REVISION	5

