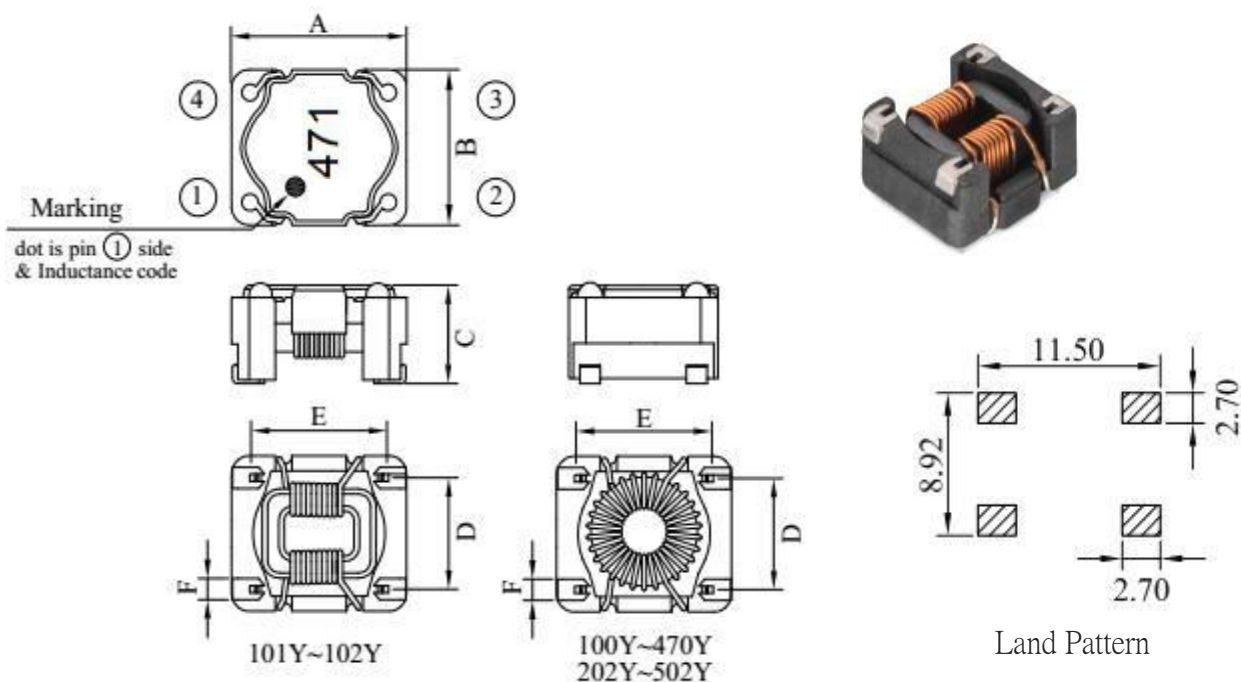
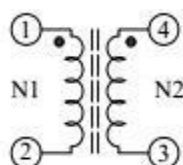


一 DIMENSION (UNIT : mm)



ITEM	A	B	C	D	E	F
DIM	10.0	8.7	6.5	6.22	7.62	1.4
TOLE	±0.5	±0.3	MAX	±0.1	±0.1	REF

二. CIRCUIT DIAGRAM



## 三. ELECTRICAL CHARACTERISTIC

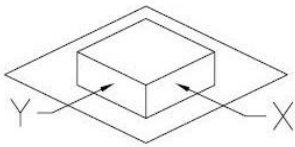
Products No.	Inductance L1=L2 (uH)	Test Conditions	DC Resistance ( mΩ ) Max.	Rated Current (A)Max.	Hi-Pot (Vac) 3mA/1S
SMW1006S100YTT	10 ±40%	100KHz/0.1V	30	4.0	600
SMW1006S220YTT	22 ±40%	100KHz/0.2V	35	3.8	600
SMW1006S470YTT	47 ±40%	100KHz/0.3V	40	3.2	600
SMW1006S101YTT	100 ±40%	100KHz/0.4V	25	3.0	1000
SMW1006S121YTT	120 ±40%	100KHz/0.5V	25	2.5	1000
SMW1006S221YTT	220 ±40%	100KHz/0.6V	32	2.2	1000
SMW1006S251YTT	250 ±40%	100KHz/0.7V	35	2.0	1000
SMW1006S471YTT	470 ±40%	100KHz/0.1V	65	1.60	1000
SMW1006S501YTT	500 ±40%	100KHz/0.1V	70	1.50	1000
SMW1006S102YTT	1000 ±40%	100KHz/0.1V	180	0.95	1000
SMW1006S202YTT	2000 ±40%	100KHz/0.1V	270	0.80	300
SMW1006S222YTT	2200 ±40%	100KHz/0.1V	300	0.75	300
SMW1006S302YTT	3000 ±40%	100KHz/0.1V	330	0.70	300
SMW1006S332YTT	3300 ±40%	100KHz/0.1V	360	0.65	300
SMW1006S392YTT	3900 ±40%	100KHz/0.1V	540	0.52	300
SMW1006S402YTT	4000 ±40%	100KHz/0.1V	600	0.45	300
SMW1006S472YTT	4700 ±40%	100KHz/0.1V	720	0.35	300
SMW1006S502YTT	5000 ±40%	100KHz/0.1V	780	0.30	300

(1).Rated Current: Temp.rise 40°C Typ

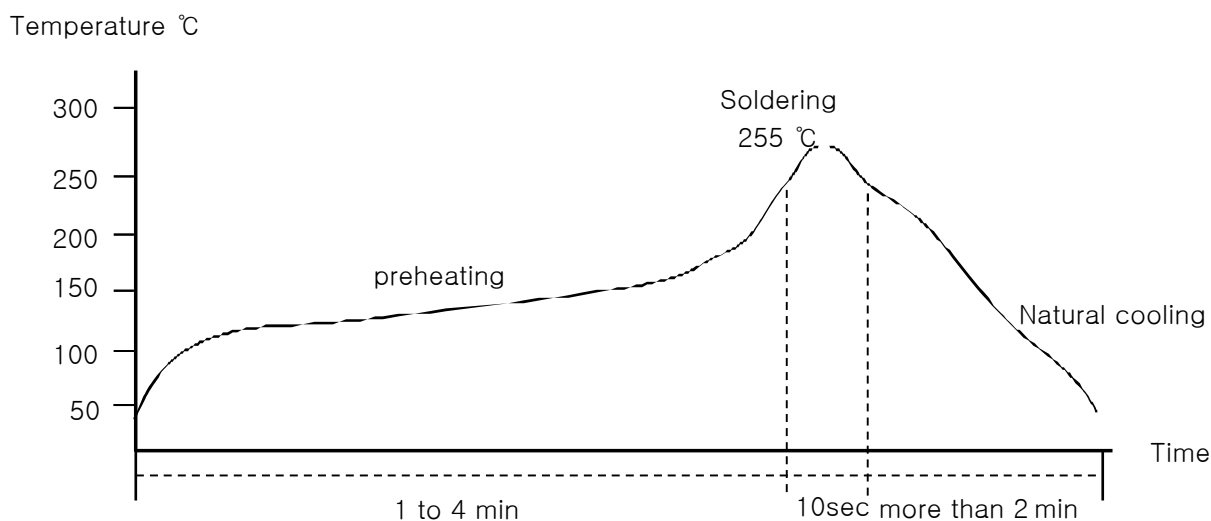
(2).Operating Temperature: -20°C up to +80°C

(3).Storage Temperature: -20°C up to +40°C, 75% RH max.

**四. RELIABILITY TESTING**

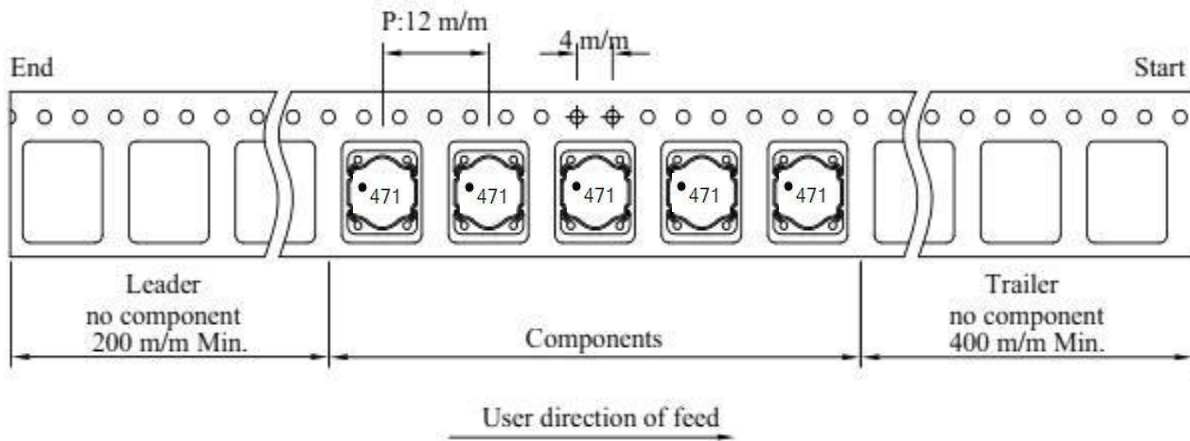
Operating Temperature	- 20 to +80 °C ( Contain Heating coil )
Appearance Inspection	No external defects by visual inspection
Terminal Strength 	After soldering , between copper plaet and terminals of coils , push in two directions of X , Y with standing 10N(1.02kg) for10+/-2 sec. Terminal should not peel off. ( Refer to figure at right )
Heat endurance of reflow soldering	Refer to figure
Insulating resistance	Over 100 MΩ at 100V D.C . between wire and core
Dielectric Strength	Apply at 0.5KV 3mA for 1 minute between wire and core
Temperature characteristics	Inductance coefficient ( 0~2,000 ) × 10 / °C ( - 20~ + 80 °C )
Humidity characteristics	Inductance deviation within ± 10% , after 96 hours in 90~95% relative humidity at 40 ± 2 °C and 1 hours drying under normal condition
A test is made under the above mentioned condition , and it is kept for 2 hours in the normal	

IR Reflow profile



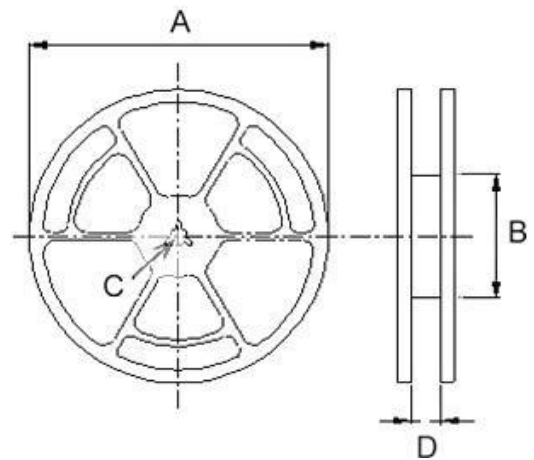
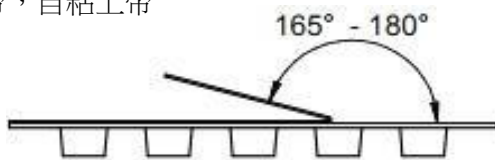
Temperature and humidity . After that , no mechanical and electrical defect should be found .

## 五. PACKING SPECIFICATIONS (UNIT : mm)



Tape width	Distance	Pull-of force
24 mm	12 mm	10~130g

透明下帶，自粘上帶



Reel Dimensions (Unit: mm)				Quantity
A	B	C	D	Pcs/Reel
330	100	13	24.5	800