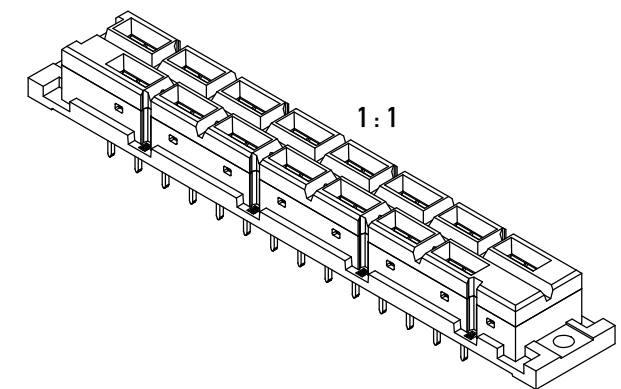
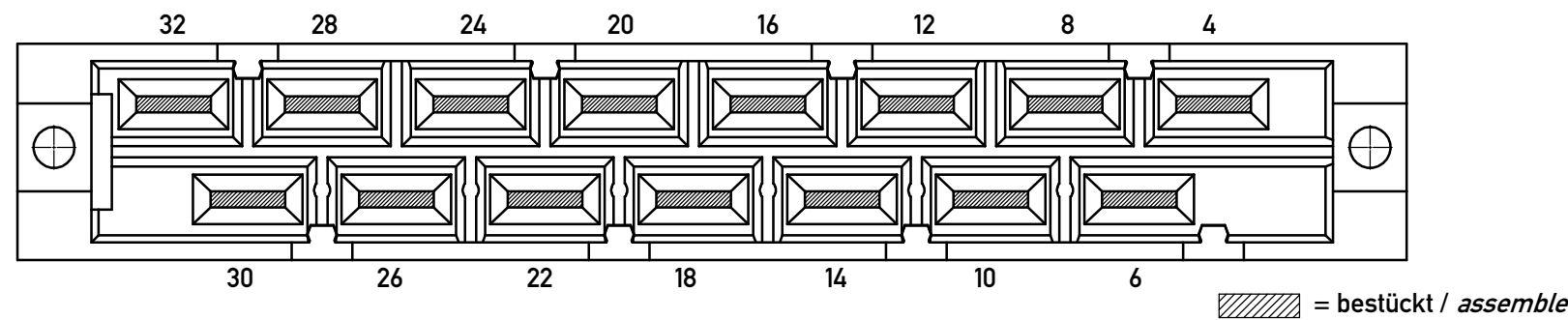
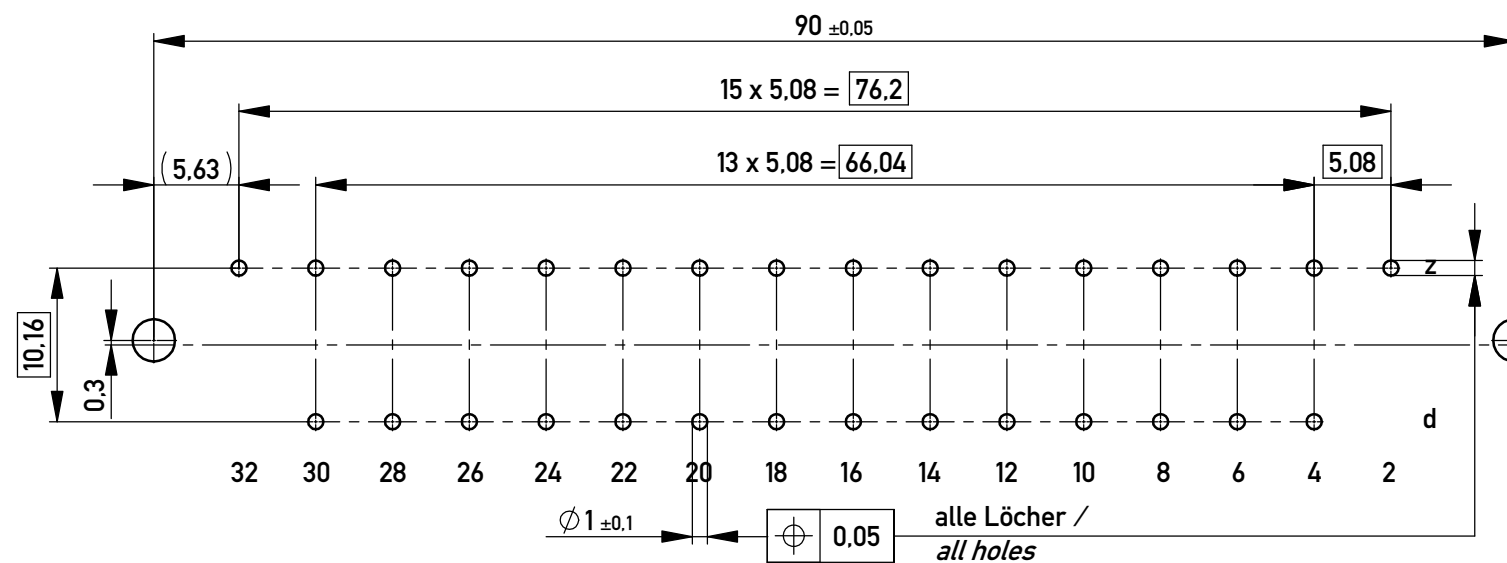


Tauchlötanschluss 0,6x0,6 mm / solder terminal 06,x0,6 mm
 Anforderungsstufe 1 = 500 Steckzyklen / performance class 1 = 500 mating cycles
 Bauart 2 / type 2
 Fehlende Maße und Angaben nach IEC 60 603-2 / DIN EN 60 603-2
 Missing information and dimensions per IEC 60 603-2

Bestückungsplan / contact layout



Leiterplatten-Layout Vorschag / PCB-Layout Proposal



Information:		Tolerances	Scale 2:1
All rights reserved. Only for Information. To ensure that this is the latest version of this drawing, please contact one of the ERNI companies before using.		All Dimensions in mm	Designation
Subject to modification without prior notice. Drawing will not be updated.		www.ERNI.com	Federleiste H15 löt Fem. Connector H15 Solder
ERNI		594751	I
c	01.07.2016	A3	
Index	Date	Class	STVH15

Copyright by ERNI Production GmbH & Co. KG
 Proprietary notice pursuant to ISO 16016 to be observed.