

客户 (Customer) : \_\_\_\_\_

承认书

Approval Sheet

谨致执事者：兹提供敝公司之有关详细规格及图面数据，敬请给予办理试认定手续。  
同时敬请送返一份附有贵公司签认之测试认定后之样品承认书。

We are pleased in sending you herewith on specification and drawings for your approval.  
Please return to us one copy "Approval sheet" with your approved signature.

型号 (Model No.) : A-SL686W1D-E03-4T

发文日期 (Issue Date) : 2020/07/27 承认日期 (Approved Date) : \_\_\_\_\_

Checking signature of Amicc

Designer	Checker	Approver
<i>Zora</i>	<i>Tommy</i>	<i>Solarliu</i>

Approval signature of customer

Designer	Checker	Approver

江苏欧密格光电科技股份有限公司

Jiangsu Amicc Opto-Electronics Technology Co.,Ltd.

地址：江苏省常州市武进区武南中路 98 号

Add: 98.Wu Nan Road, Wujin, Changzhou city, Jiangsu Province

TEL:0086-519-89806999

FAX:0086-519-86523668

EMAIL:AMICC@AMICC.COM

## Mono-Color Type ▪ Top view 2016 package

### A-SL686W1D-E03-4T



#### ■ Description

The Amicc 686 package has high efficacy, low power consumption, wide viewing angle and a compact form factor. These features make this package to be an ideal LED for all lighting applications.

#### ■ Features

- Top view LED
- High Luminous Intensity output
- Wide viewing angle
- Pb-free
- RoHS compliant
- JEDEC MSL 3

#### ■ Applications

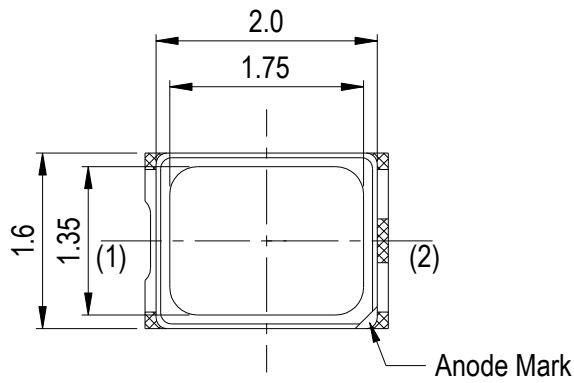
- Mobile Phone Camera Flash
- Decorative and Entertainment Lighting
- Signal and symbol luminaries for orientation marker lights
- TFT backlighting
- Indoor lighting application
- Torch light for DV application
- Exterior and interior automotive illumination

#### ■ Device Selection Guide

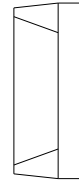
Chip Materials	Emitted Color	Resin Color
InGaN	Cool White	Yellow Diffused

■ Package Dimensions

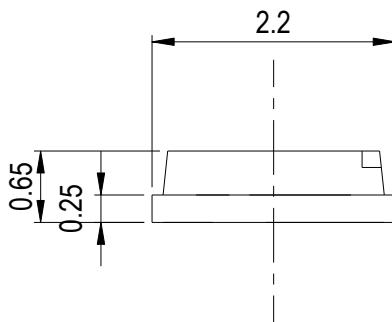
Top View



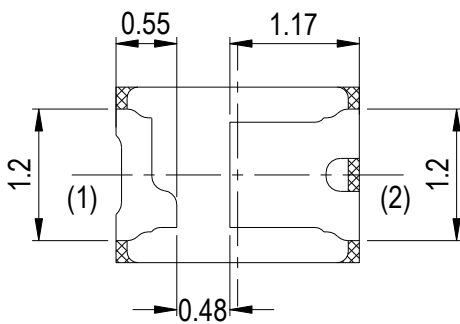
Side View



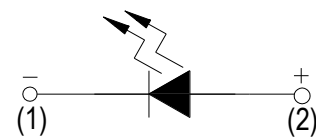
Side View



Bottom View



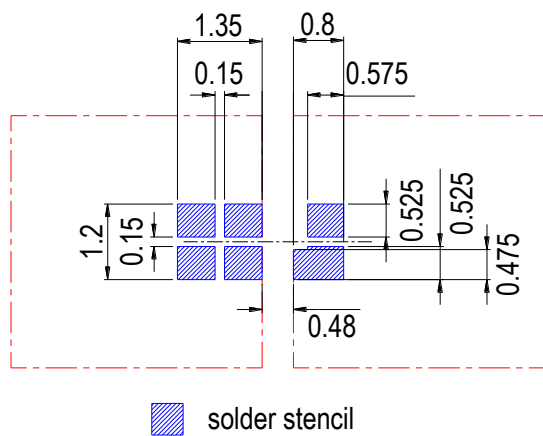
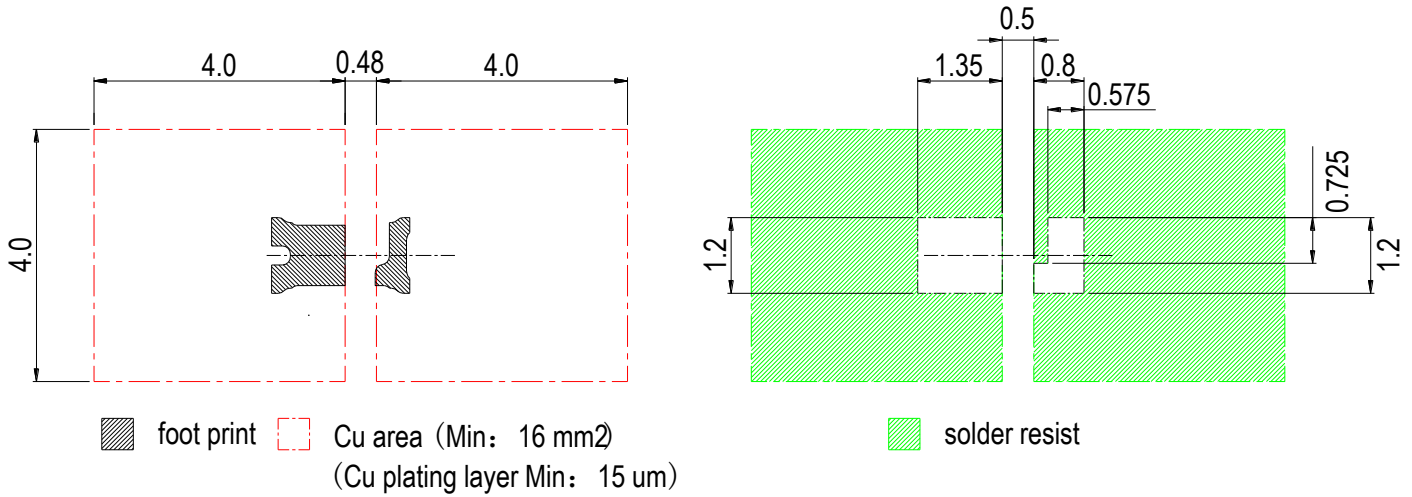
Polarity



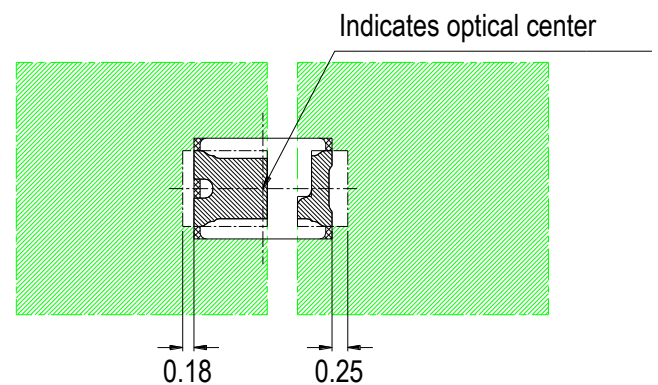
Note:  
Tolerance without mention is  $\pm 0.1$ mm.

**Recommended Solder Pad**

Compatible Design



Component Location on pad



Note:  
 Tolerance without mention is  $\pm 0.05\text{mm}$ .

■ **Absolute Maximum Ratings (T<sub>Soldering</sub>=25°C)**

Parameter	Symbol	Rating	Unit
Forward Current	I <sub>F</sub>	30	mA
Peak Forward Current (Duty 1/10 @1ms)	I <sub>FP</sub>	90	mA
Power Dissipation	P <sub>d</sub>	105	mW
Reverse Voltage	V <sub>R</sub>	7	V
Operating Temperature	T <sub>opr</sub>	-40 ~ +100	°C
Storage Temperature	T <sub>stg</sub>	-40 ~ +100	°C
Junction Temperature	T <sub>j</sub>	115	°C
Soldering Temperature	T <sub>sol</sub>	Reflow Soldering : 260 °C for 10 sec. Hand Soldering : 350 °C for 3 sec.	

Note:

The products are sensitive to static electricity and must be carefully taken when handling products.

■ **Electro-Optical Characteristics (T<sub>Soldering</sub>=25°C)**

Parameter	Symbol	Min.	Typ.	Max.	Unit	Condition
Luminous Intensity	I <sub>v</sub>	2850	3600	5700	mcd	I <sub>F</sub> =30mA
Forward Voltage	V <sub>F</sub>	2.7	3.0	3.5	V	I <sub>F</sub> =30mA
Chromaticity Coordinates	X	-----	0.265	-----	-----	I <sub>F</sub> =30mA
Chromaticity Coordinates	Y	-----	0.255	-----	-----	I <sub>F</sub> =30mA
Viewing Angle	2θ <sub>1/2</sub>	-----	120	-----	deg	I <sub>F</sub> =30mA
Reverse Current	I <sub>R</sub>	-----	-----	1	μA	V <sub>R</sub> =7V

Notes:

1. Tolerance of Luminous Intensity: ±10%.
2. Tolerance of Forward Voltage : ±0.1V.

■ **Bin Range of Luminous Intensity**

Bin Code	Min.	Max.	Unit	Condition
AY1	2850	3600	mcd	I <sub>F</sub> =30mA
AY2	3600	4500		
AZ1	4500	5700		

Note:  
Tolerance of Luminous Intensity: ±10%.

■ **Bin Range of Forward Voltage**

Bin Code	Min.	Max.	Unit	Condition
34	2.7	2.9	V	I <sub>F</sub> =30mA
36	2.9	3.1		
38	3.1	3.3		
40	3.3	3.5		

Note:  
Tolerance of Forward Voltage: ±0.1V.

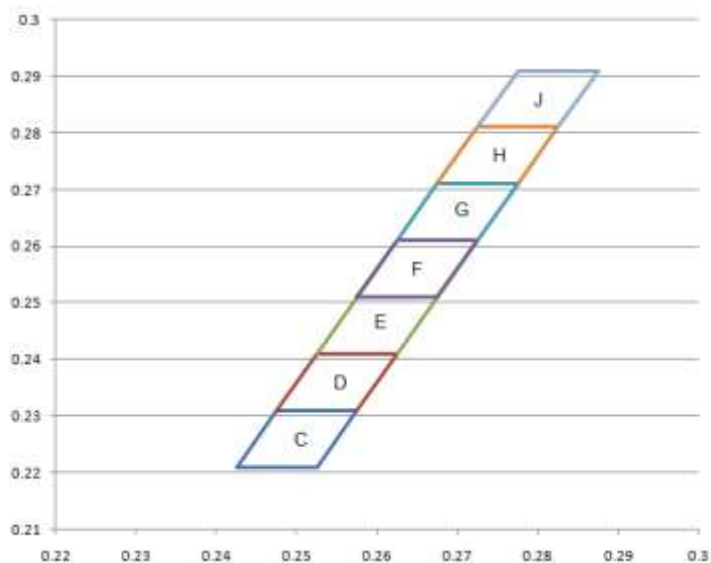
■ Bin Range of Chromaticity Coordinates

Bin Code	CIE_x	CIE_y	Bin Code	CIE_x	CIE_y
C	0.2425	0.2210	D	0.2475	0.2310
	0.2475	0.2310		0.2525	0.2410
	0.2575	0.2310		0.2625	0.2410
	0.2525	0.2210		0.2575	0.2310
E	0.2525	0.2410	F	0.2575	0.2510
	0.2575	0.2510		0.2625	0.2610
	0.2675	0.2510		0.2725	0.2610
	0.2625	0.2410		0.2675	0.2510
G	0.2625	0.2610	H	0.2675	0.2710
	0.2675	0.2710		0.2725	0.2810
	0.2775	0.2710		0.2825	0.2810
	0.2725	0.2610		0.2775	0.2710
J	0.2725	0.2810			
	0.2775	0.2910			
	0.2875	0.2910			
	0.2825	0.2810			

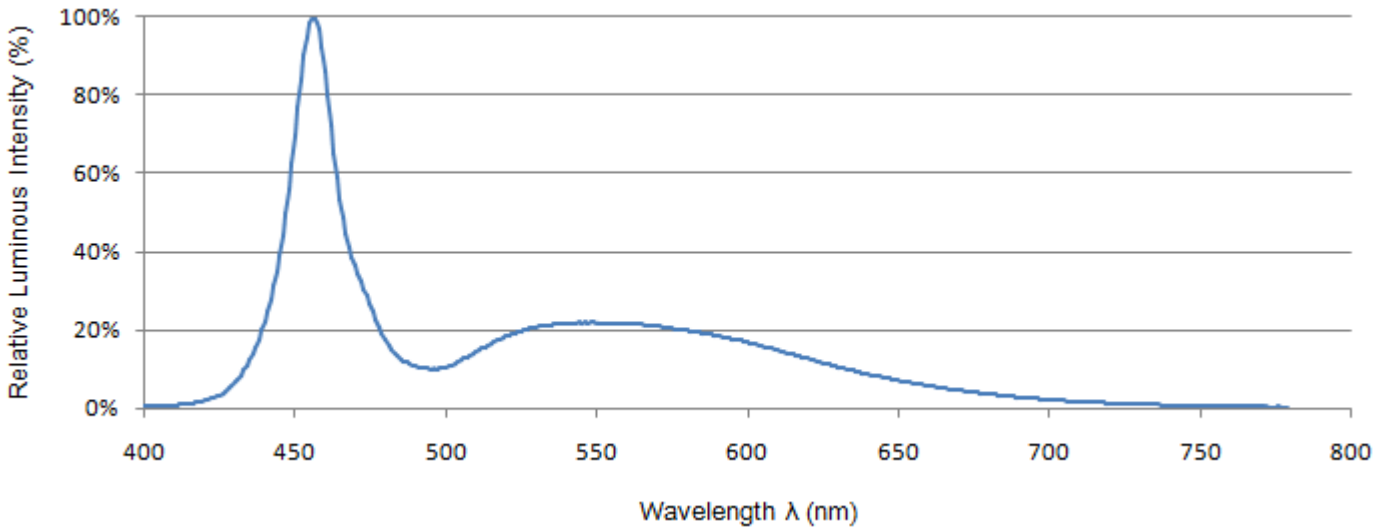
Notes:

1. The value is based on driving current by 30mA.
2. Tolerance of Chromaticity Coordinates:  $\pm 0.01$ .

■ The C.I.E. 1931 Chromaticity Diagram



■ **Spectrum Distribution**



■ **Typical Electro-Optical Characteristics Curves**

Fig.1-Forward Voltage Shift vs. T<sub>j</sub>-Junction Temperature

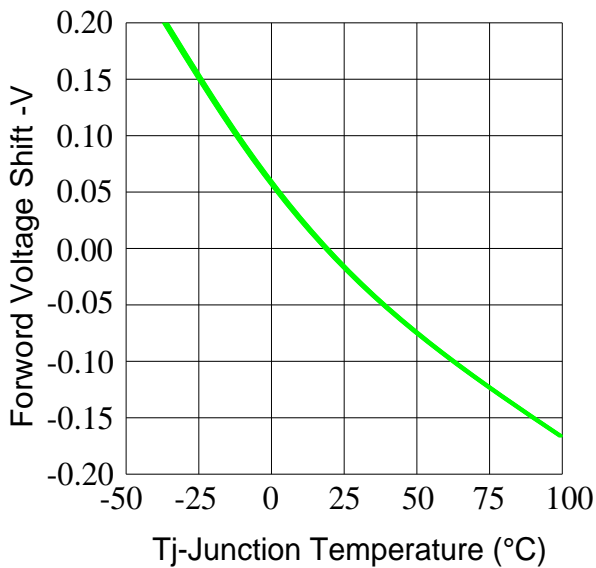
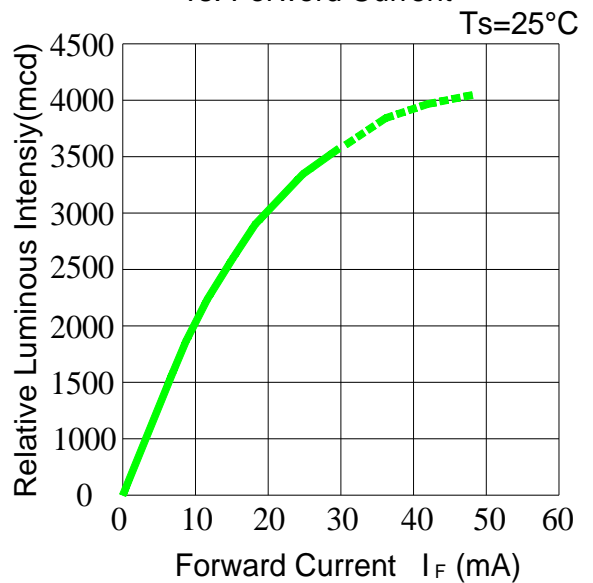


Fig.2-Relative Luminous Intensity vs. Forward Current





■ Typical Electro-Optical Characteristics Curves

Fig.3-Relative Luminous Flux vs. T<sub>j</sub>-Junction Temperature

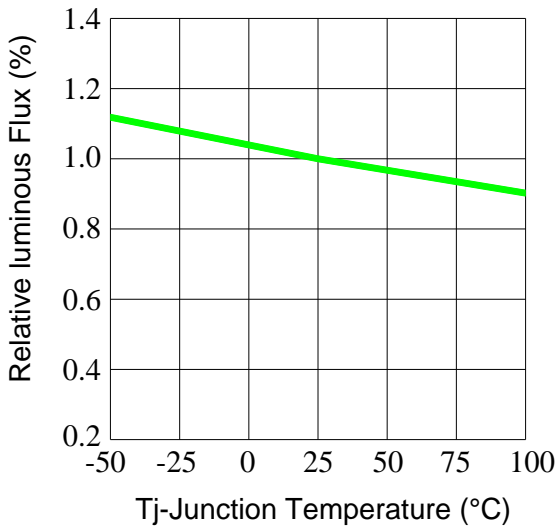


Fig.4-Forward Current vs. Forward Voltage T<sub>a</sub>=25°C

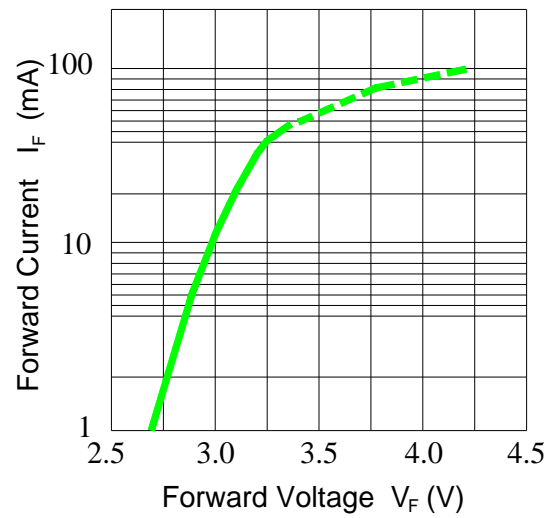


Fig.5-Max. Driving Forward Current vs. Soldering Temperature

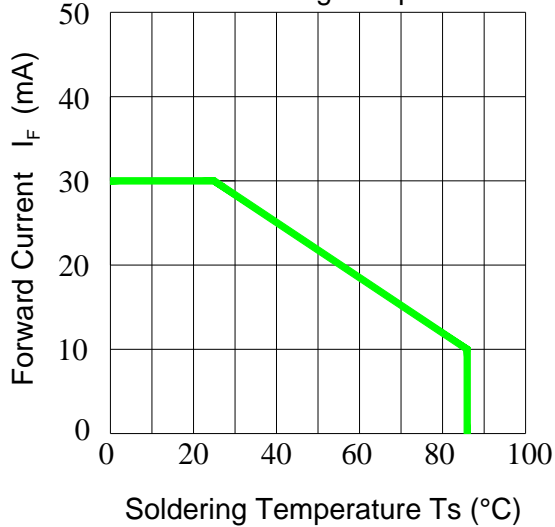
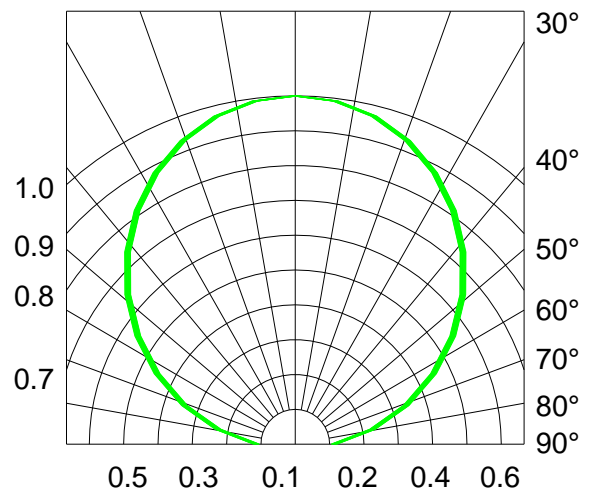
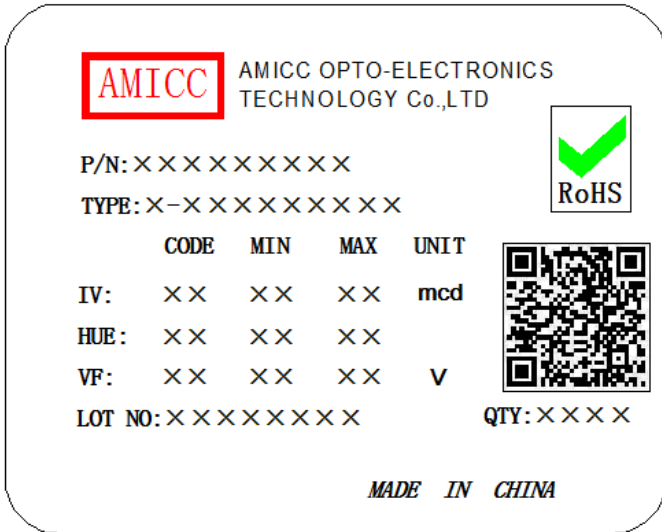


Fig.6-Radiation Diagram T<sub>a</sub>=25°C



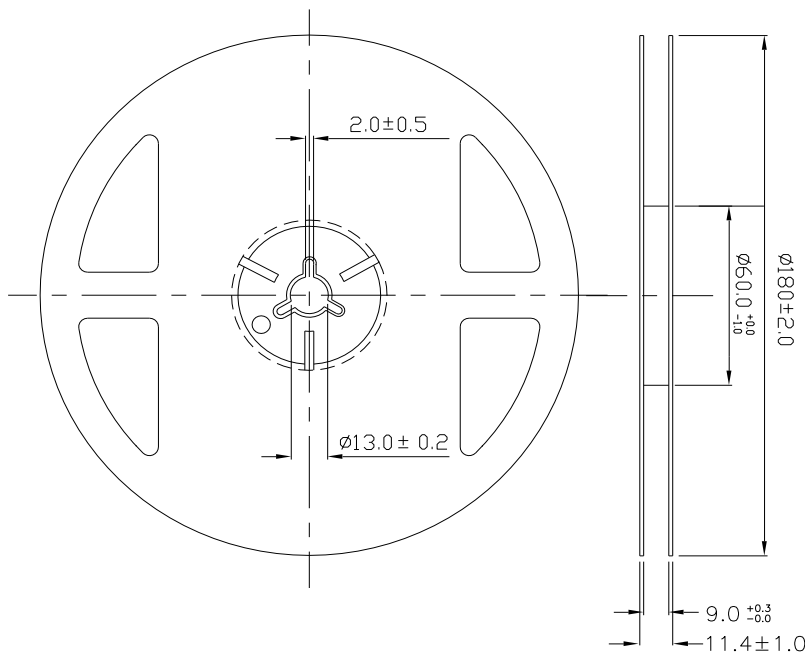
■ **Moisture Resistant Packing Materials**

1. **Label Explanation**



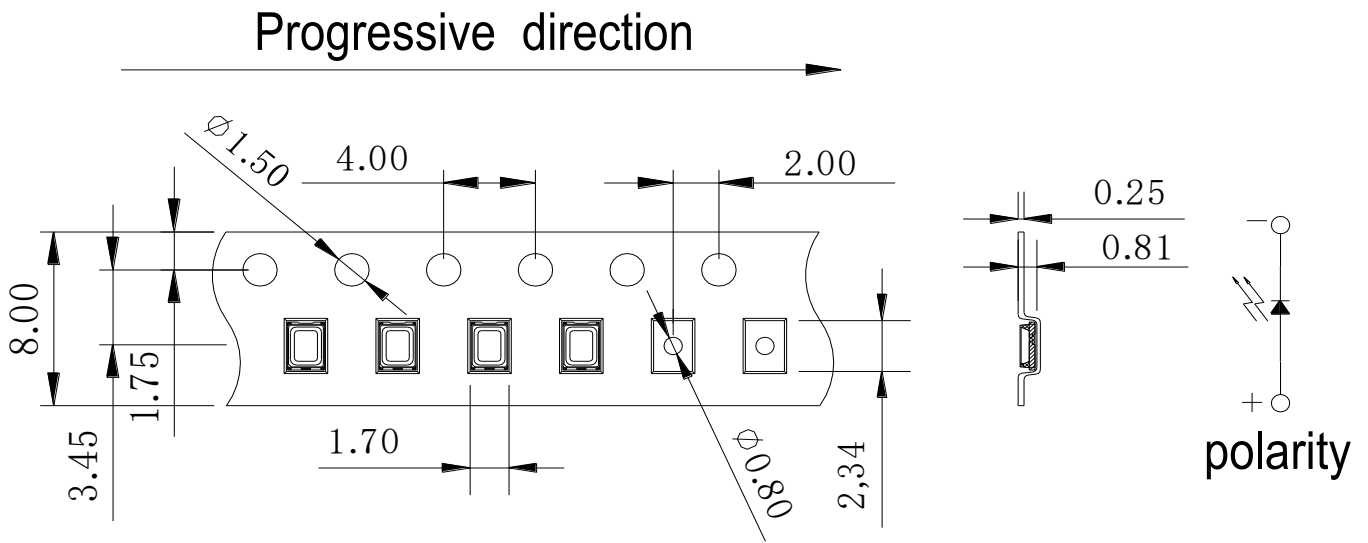
- CPN: Customer's Product Number
- P/N: Product Number
- TYPE: Part NO.
- IV: Luminous Intensity Rank
- HUE: Chromaticity Coordinates Rank
- VF: Forward Voltage Rank
- LOT No: Lot Number
- QTY: Packing Quantity

2. **Reel Dimensions**



Note:  
 Tolerance without mention is ±0.1mm.

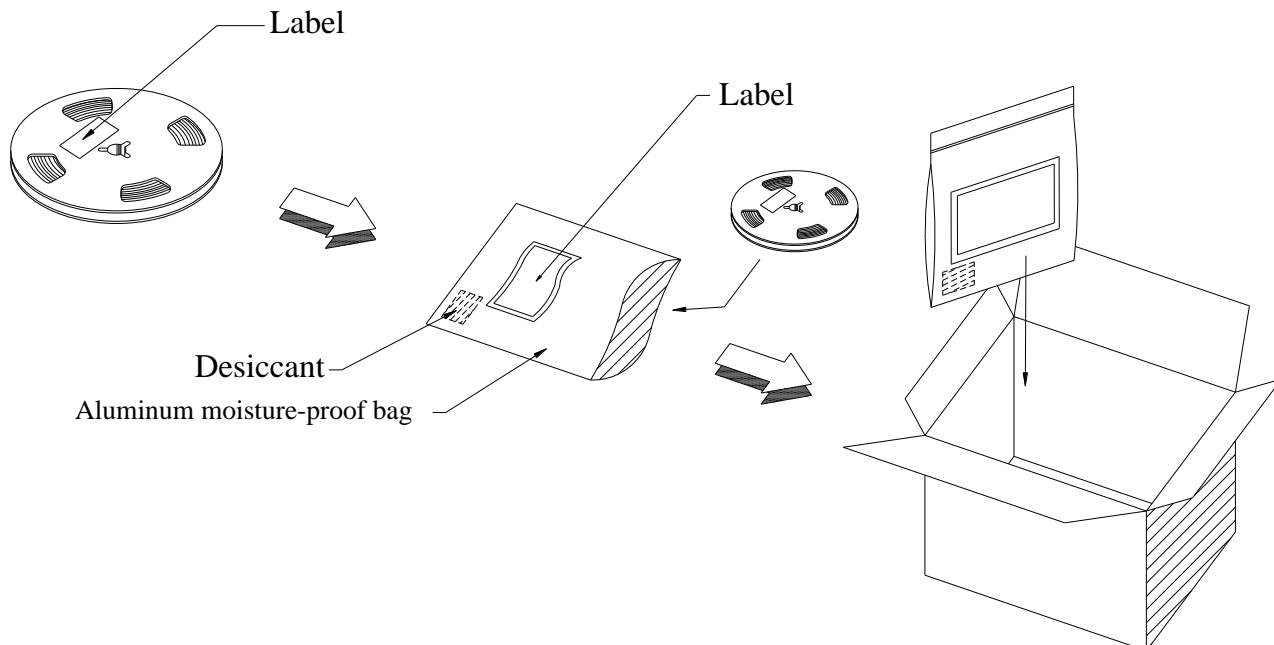
**3. Carrier Tape Dimensions: Loaded Quantity 4000 pcs Per Reel**



**Notes:**

1. Tolerance without mention is  $\pm 0.1$ mm.
2. Minimum packing quantity is 1000pcs per reel.

**4. Moisture Resistant Packing Process**



■ **Reliability Test Items and Conditions**

The reliability of products shall be satisfied with items listed below.

Confidence level : 90%

LTPD : 10%

No.	Items	Test Condition	Test Hours/Cycles	Sample Size	Ac/Re
1	Reflow Soldering	Temp. : 260°C/10sec.	6 Min.	22 PCS.	0/1
2	Thermal Shock	H : +100°C 5min ∫ 10 sec L : -10°C 5min	300 Cycles	22 PCS.	0/1
3	Temperature Cycle	H : +100°C 15min ∫ 5 min L : -40°C 15min	300 Cycles	22 PCS.	0/1
4	High Temperature/Humidity	Ta=85°C,85%RH	1000 Hrs.	22 PCS.	0/1
5	Low Temperature Storage	Ta=-40°C	1000 Hrs.	22 PCS.	0/1
6	High Temperature Storage	Ta=100°C	1000 Hrs.	22 PCS.	0/1
7	DC Operation Life	Ts=25°C, I <sub>F</sub> = 30 mA	1000 Hrs.	22 PCS.	0/1

## ■ Precautions for Use

### 1. Over-current-proof

Customer must apply resistors for protection; otherwise slight voltage shift will cause big current change (Burn out will happen).

### 2. Storage

2.1 Do not open moisture proof bag before the products are ready to use.

2.2 Before opening the package: The LEDs should be kept at 30°C or less and 90%RH or less.

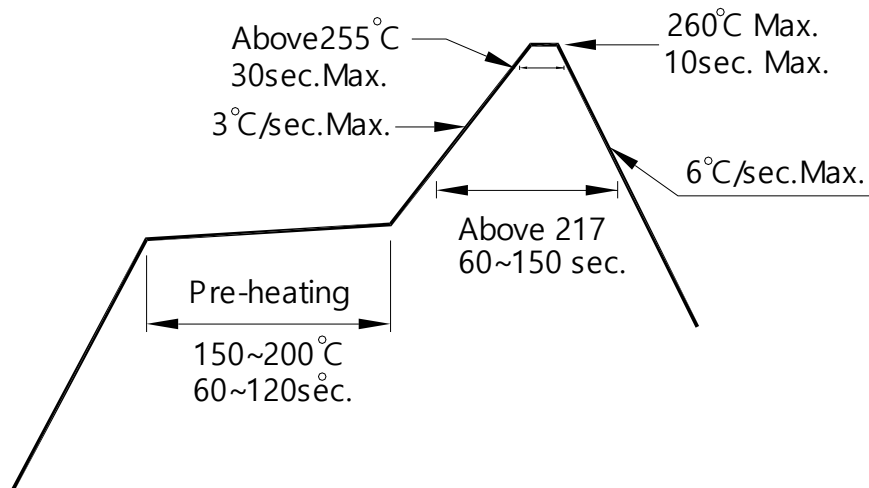
2.3 After opening the package: The LED's floor life is 168 Hrs under 30°C or less and 60% RH or less. If unused LEDs remain, it should be stored in moisture proof packages.

2.4 If the moisture absorbent material (silica gel) has faded away or the LEDs have exceeded the storage time, baking treatment should be performed using the following conditions.

Baking treatment: 60±5°C for 24 hours.

### 3. Soldering Condition

#### 3.1 Pb-free solder temperature profile



3.2 Reflow soldering should not be done more than two times.

3.3 When soldering, do not put stress on the LEDs during heating.

3.4 After soldering, do not warp the circuit board.

### 4. Soldering Iron

Each terminal is to go to the tip of soldering iron temperature less than 350°C for 3 seconds within once in less than the soldering iron capacity 25W. Leave two seconds and more intervals, and do soldering of each terminal. Be careful because the damage of the product is often started at the time of the hand solder.

### 5. Repairing

Repair should not be done after the LEDs have been soldered. When repairing is unavoidable, a double-head soldering iron should be used (as below figure). It should be confirmed beforehand whether the characteristics of the LEDs will or will not be damaged by repairing.

