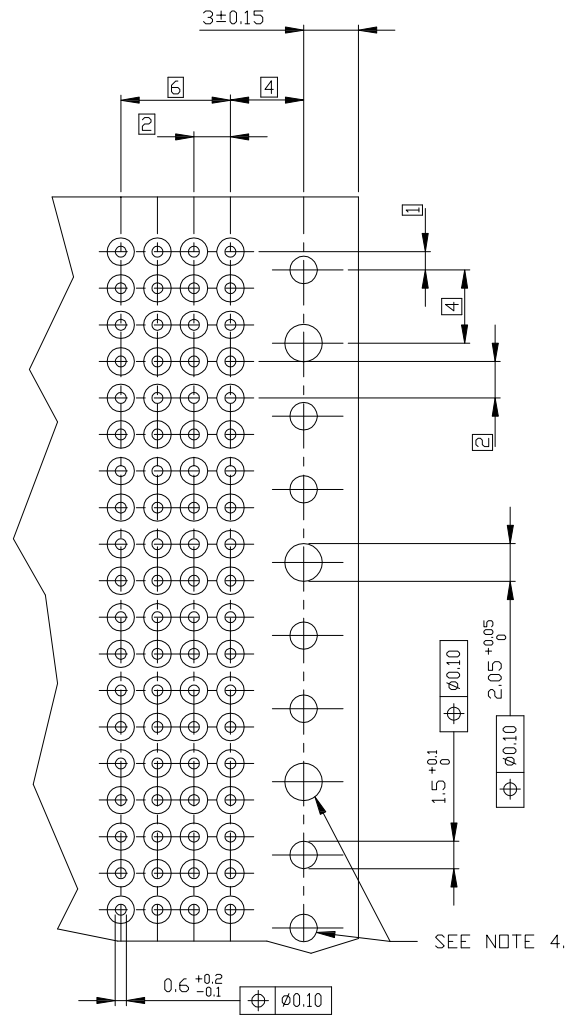
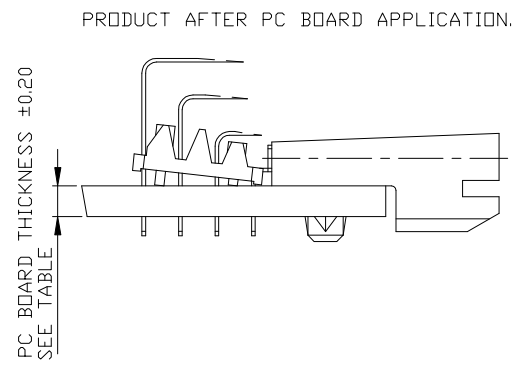
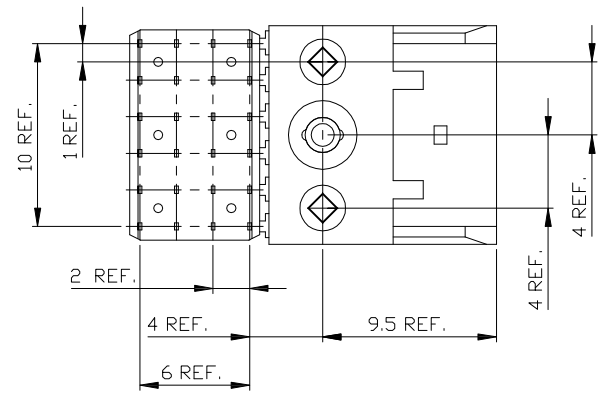
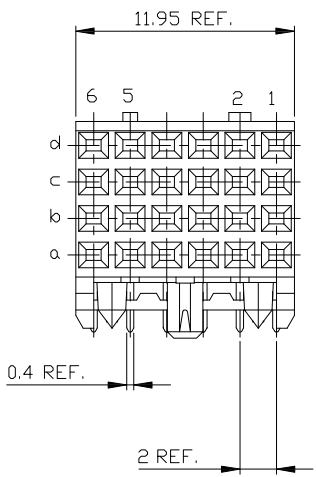
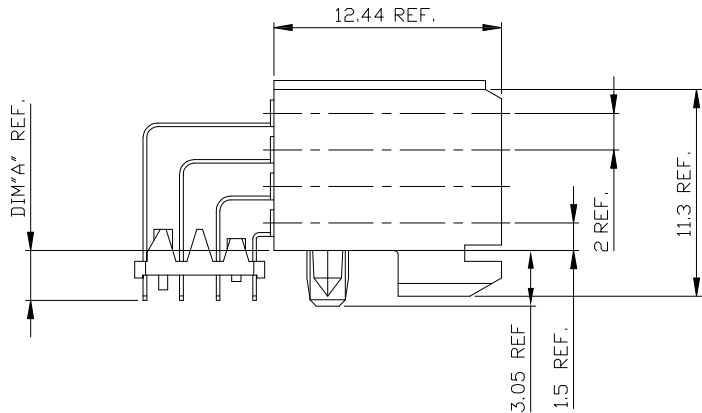


PC BOARD VERSIONS		
PRODUCTNR:	PCB THICKNESS	DIM"A"
89035-X01LF	1.6	2.90
89035-X11LF	2.4	3.53



RECOMMENDED HOLE PATTERN, COMPONENT SIDE.

- NOTES:
- BODY MAT'L: LIQUID CRYSTAL POLYMER 30% GLASS  
FLAME RETARDANT ACC. UL 94-V0
  - TERMINAL MATERIAL: PHOSPHOR BRONZE.
  - PLATING SOLDER TAILS 2-8 um SnPb 90-97 DR 2-8 um PURE Sn FOR LEAD FREE .
  - INDICATED HOLES ARE UNPLATED.
  - PRODUCT MARKING: PARTNUMBER & BATCH ID.
  - THIS PRODUCT MEETS EUROPEAN UNION DIRECTIVES AND OTHER COUNTRY REGULATIONS AS DESCRIBED IN GS-47-0004 .
  - THE HOUSING WILL WITHSTAND EXPOSURE TO 260DEGREE PEAK TEMPERATURE FOR 10 SECONDS IN A WAVE SOLDER APPLICATION.

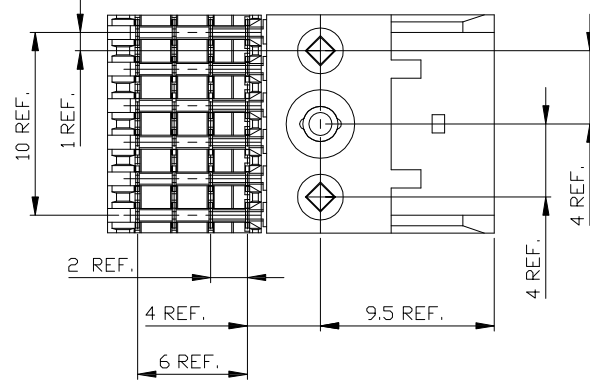
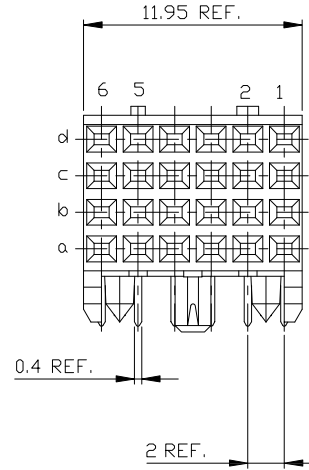
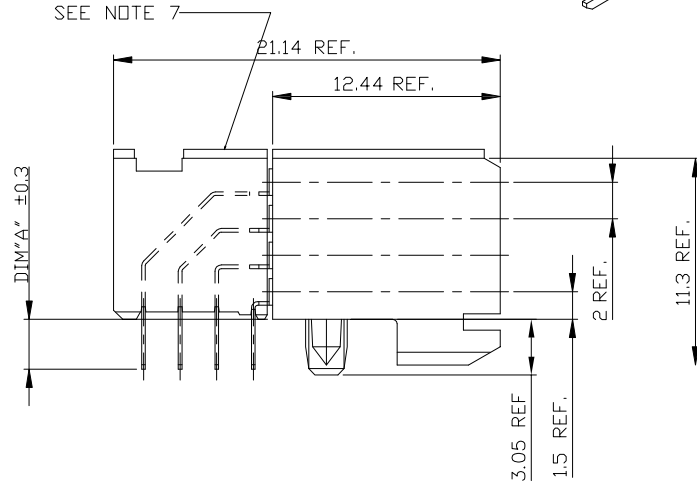
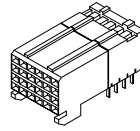
PLATING CONTACT AREA:	
DASH NR:	PERFORMANCE LEVEL
-1YY/1YYLF	TELCORDIA CO
-2YY/2YYLF	CUSTOMER SPECIAL
-3YY/3YYLF	CUSTOMER SPECIAL

PRELIMINARY

mat'l. code	surface ISO 1302 ✓ ISO 406 ISO 101	tolerance ISO 406 ISO 101 tolerances unless otherwise specified	projection 101	product family METRAL
ltr M	ecn no 5009-0068	dr CENH	date 06/06/09	title RA FEMALE SIGNAL 12mm PRESS PEG
N	ELX-I-30829	SA	28-04-18	dwg no 89035
				sheet 1 of 4 size A2
				type Product Customer Drawing
sheet index	revision sheet	N 1	N 2	N 3
		N 4		

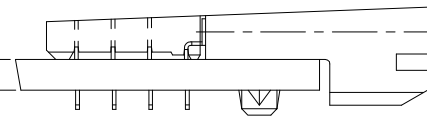
PC BOARD VERSIONS		
PRODUCTNR:	PCB THICKNESS	DIM"A"
89035-X02LF	1.6	2.90
89035-X12LF	2.4	3.53
89035-X04LF	1.6	2.90
89035-X05LF	1.6	2.90

REFER PAGE 4 FOR LAYOUTS

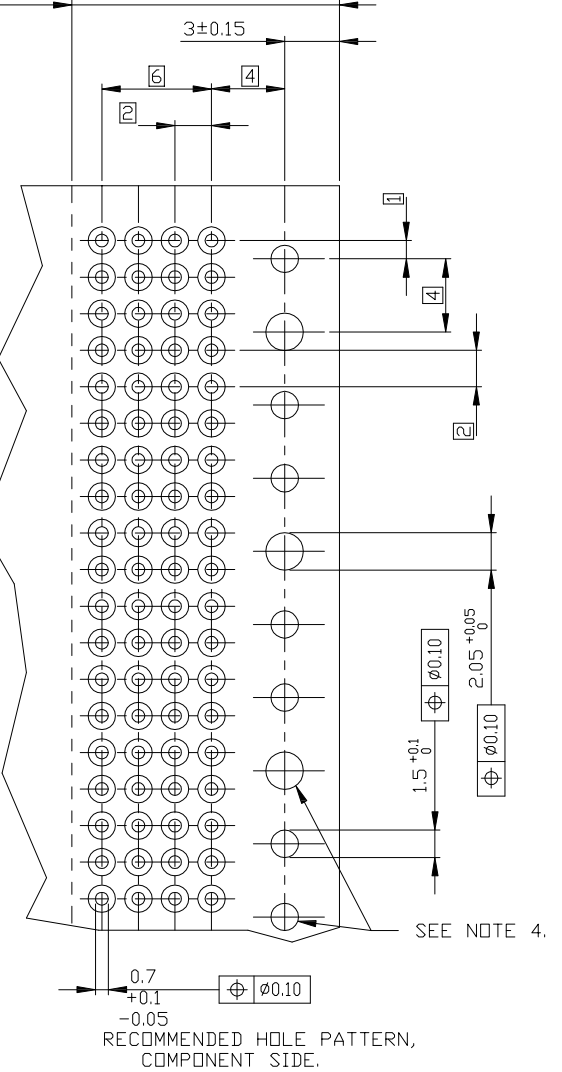


PRODUCT AFTER PC BOARD APPLICATION.

PC BOARD THICKNESS ±0.20  
SEE TABLE



14.64 REF. SEE NOTE 6



RECOMMENDED HOLE PATTERN, COMPONENT SIDE.

NOTES:

- BODY MAT'L: LIQUID CRYSTAL POLYMER 30% GLASS  
FLAME RETARDANT ACC. UL 94-V0
- TERMINAL MATERIAL: PHOSPHOR BRONZE.
- PLATING SOLDERDETAILS 2-8 um SnPb 90-97 OR 2-8 um PURE Sn
- INDICATED HOLES ARE UNPLATED.
- PRODUCTMARKING: PARTNUMBER & BATCH ID.
- SET BACK FOR PRESS BLOCK.
- TOP SURFACE OF PRESS BLOCK MAY EXTEND UP TO 0.4MM HIGHER THAN HOUSING. THIS MAY AFFECT THETAILED LENGTH BEFORE APPLICATION TO A BOARD.
- THIS PRODUCT MEETS EUROPEAN UNION DIRECTIVES AND OTHER COUNTRY REGULATIONS AS DESCRIBED IN GS-47-0004
- THE HOUSING WILL WITHSTAND EXPOSURE TO 260DEGREE PEAK TEMPERATURE FOR 10 SECONDS IN A WAVE SOLDER APPLICATION.

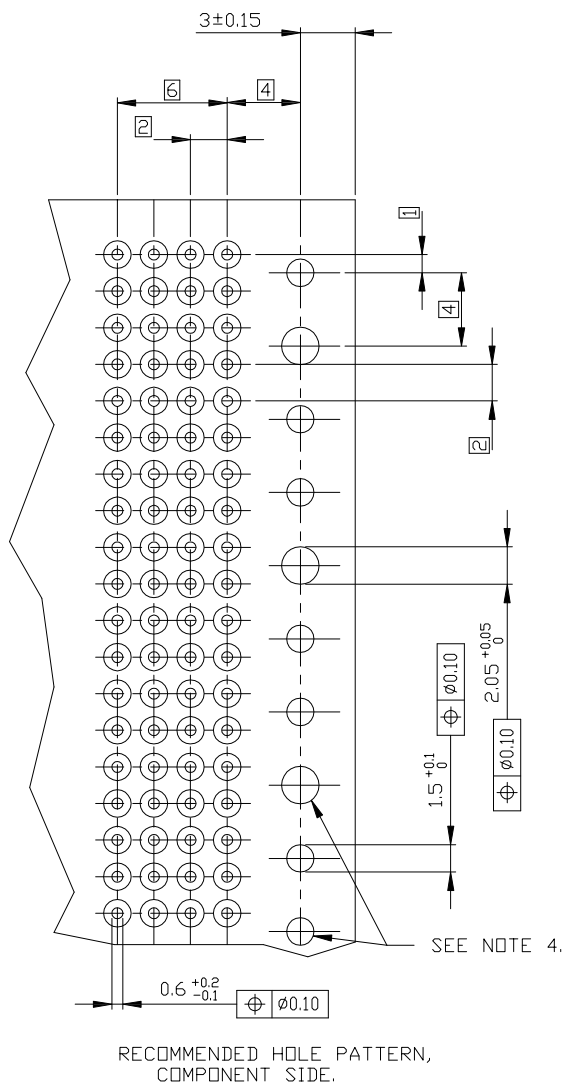
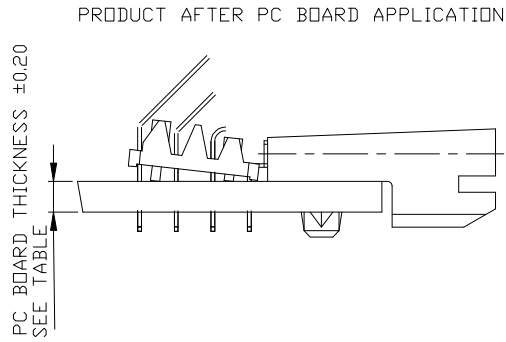
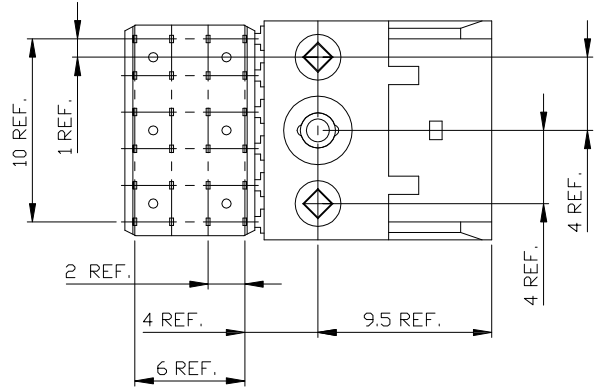
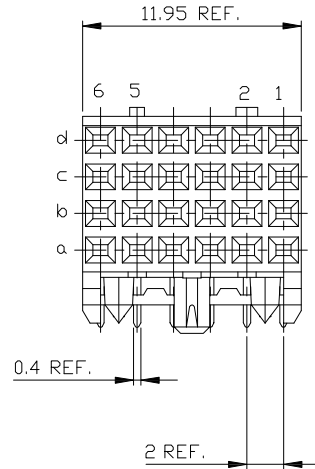
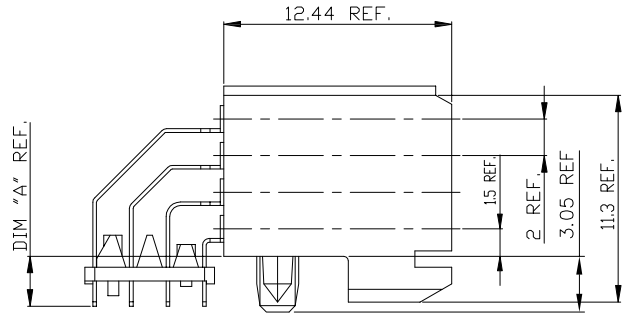
PLATING CONTACT AREA:

DASH NR:	PERFORMANCE LEVEL
-1YY/1YYLF	TELCORDIA CO
-2YY/2YYLF	CUSTOMER SPECIAL
-3YY/3YYLF	CUSTOMER SPECIAL

PRELIMINARY

mat'l. code	surface ISO 1302 ✓	tolerance ISO 406 ISO 101	projection 101	product family METRAL
lfr	ecn no	dr	date	title RA FEMALE SIGNAL 12mm PRESS PEG
M	5009-0088	CENH	06/06/09	dwg no
N	ELX-I-30829	SA	28-04-18	sheet 2 of 4
				size A2
				type Product Customer Drawing
sheet index	revision sheet			

PC BOARD VERSIONS		
PRODUCTNR.	PCB THICKNESS	DIM "A"
89035-X03	1.6	2.90
89035-X13	2.4	3.53
89035-X03LF	1.6	2.90
89035-X13LF	2.4	3.53



- NOTES:
- BODY MAT'L: LIQUID CRYSTAL POLYMER 30% GLASS  
FLAME RETARDANT ACC. UL 94-V0
  - TERMINAL MATERIAL: PHOSPHOR BRONZE.
  - PLATING SOLDER TAILS 2-8 um SnPb 90-97 OR 2-8 um PURE Sn FOR LEAD FREE .
  - INDICATED HOLES ARE UNPLATED.
  - PRODUCT MARKING: PARTNUMBER & BATCH ID.
  - THIS PRODUCT MEETS EUROPEAN UNION DIRECTIVES AND OTHER COUNTRY REGULATIONS AS DESCRIBED IN GS-47-0004 .
  - THE HOUSING WILL WITHSTAND EXPOSURE TO 260DEGREE PEAK TEMPERATURE FOR 10 SECONDS IN A WAVE SOLDER APPLICATION.

PLATING CONTACT AREA:	
DASH NR:	PERFORMANCE LEVEL
-1YY/1YYLF	TELCORDIA CO
-2YY/2YYLF	CUSTOMER SPECIAL
-3YY/3YYLF	CUSTOMER SPECIAL

PRELIMINARY

mat'l. code	surface ISO 1302 ✓	tolerance ISO 406 ISO 101	projection 101	product family METRAL
lfr	ecn no	dr	date	title RA FEMALE SIGNAL 12mm PRESS PEG
M	SG09-0088	CENH	06/06/09	dwg no
N	ELX-I-30829	SA	28-04-18	sheet 3 of 4 size A2
				89035
				type Product Customer Drawing
sheet index	revision sheet			

Amphenol FCI

© 2016 AFCl

LOADING LAYOUTS

'X' Denotes contact loaded position.

89035-X04LF						
ROW	6	5	4	3	2	1
D	x	-	x	x	x	x
C	x	-	x	x	x	x
B	-	-	x	x	-	-
A	x	-	x	x	-	x

89035-X05LF						
ROW	6	5	4	3	2	1
D	x	-	x	-	x	-
C	-	x	-	x	-	x
B	x	-	x	-	x	-
A	-	x	-	x	-	x

Amphenol  
FCi

© 2016 AFci

PRELIMINARY

mat'l. code		surface		tolerance		projection		product family	
		ISO 1302		ISO 406 ISO 101		1:1		METRAL	
ltr		ecn no		dr		date		title	
M		SG09-0088		CENH		06/06/09		RA FEMALE SIGNAL	
N		ELX-I-30829		SA		28-04-18		12mm PRESS PEG	
				angles		linear		mm	
				0°±2'		.000±.00x		scale 5:1	
				dr		H.BOUWKNEGT		92-12-16	
				engr		H.BOUWKNEGT		94-03-11	
				chr					
				appd		BUU K PAUL		18-04-28	
sheet index		revision sheet						type Product Customer Drawing	
								89035	
								sheet 4 of 4 size A2	