

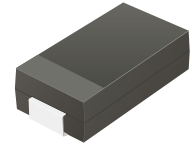
## ACDBC540-HF Thru. ACDBC5100-HF

Reverse Voltage: 40 to 100 Volts

Forward Current: 5.0 Amp

RoHS Device

Halogen free

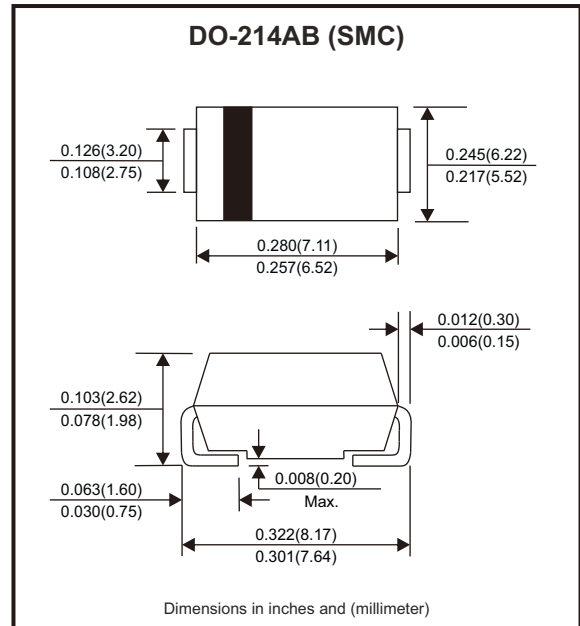


### Features

- Low profile package.
- Ideal for automated placement.
- Guard ring for over voltage protection.
- Low forward voltage drop.
- AEC-Q101 Qualified

### Mechanical data

- Case: DO-214AB / SMC, molded plastic.
- Epoxy: UL flammability classification rate 94V-0.
- Terminals: Lead free plating (Tin finish).  
Solderable per MIL-STD-202, Method 208.
- Polarity: Indicated by cathode band.
- Weight: 0.231 grams (approx.).



### Circuit diagram



### Maximum Ratings and Electrical Characteristics (at TA=25°C unless otherwise noted)

Parameter	Symbol	ACDBC540-HF	ACDBC560-HF	ACDBC5100-HF	Unit
Max. Repetitive peak reverse voltage	$V_{RRM}$	40	60	100	V
Max. RMS voltage	$V_{RMS}$	28	42	70	V
Max. DC blocking voltage	$V_{DC}$	40	60	100	V
Max. Average forward rectified current	$I_F$	5			A
Peak forward surge current, 8.3ms single half sine-wave superimposed on rated load	$I_{FSM}$	100			A
Max. Instantaneous forward voltage $I_F=5A @ 25^\circ C$	$V_F$	0.55	0.70	0.85	V
Max. DC reverse current @TA=25°C at Rated DC blocking voltage @TA=100°C	$I_R$	0.5 10		0.2 5.0	mA
Typical junction capacitance (Note 1)	$C_J$	300	210	170	pF
Typical thermal resistance	$R_{\theta JC}$	15			°C/W
Operating temperature range	$T_J$	-55 to +125		-55 to +150	°C
Storage temperature range	$T_{STG}$	-55 to +150			°C

Note: 1. Measured at 1.0MHz and applied reverse voltage of 4V DC.

Company reserves the right to improve product design, functions and reliability without notice.

REV:B

## Rating and Characteristics Curvers (ACDBC540-HF Thru. ACDBC5100-HF)

Fig.1 - Typical Forward Current Derating Curve

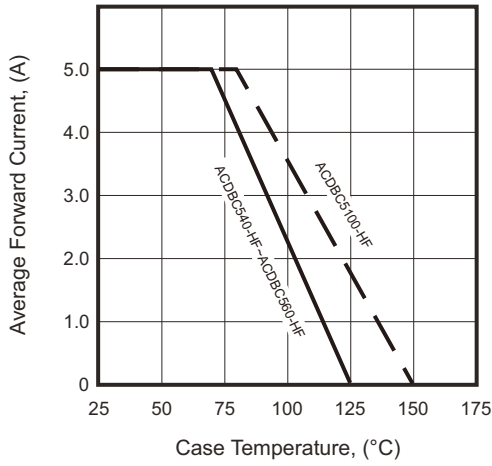


Fig.2 - Typical Forward Characteristics

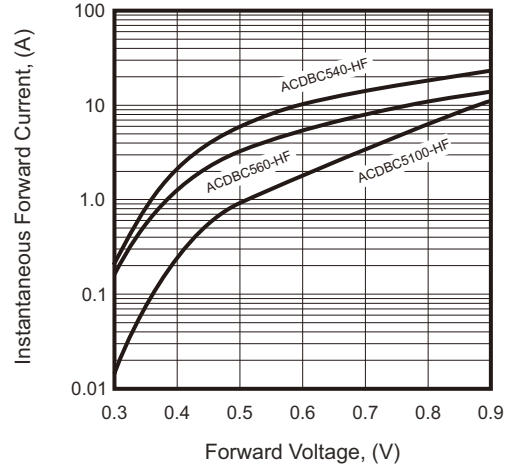


Fig.3 - Maximum Non-repetitive Forward Surge Current

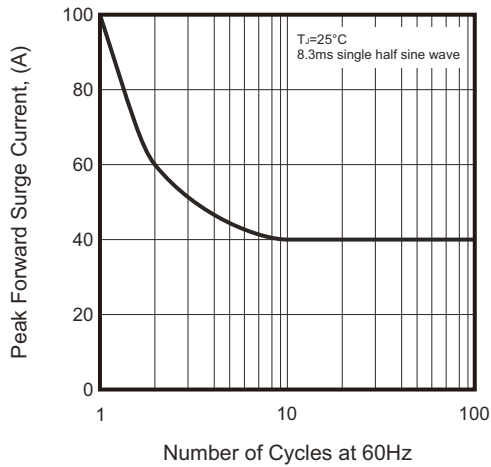


Fig.4 - Typical Reverse Characteristics

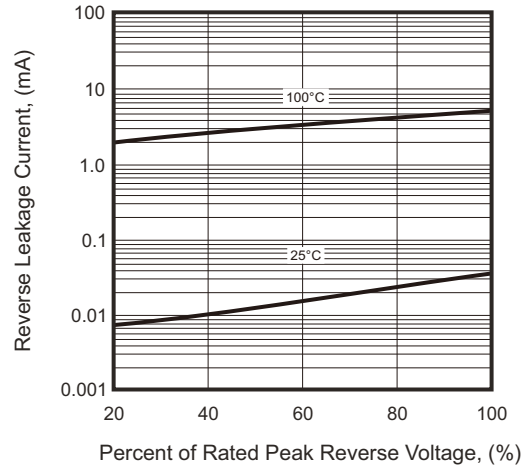
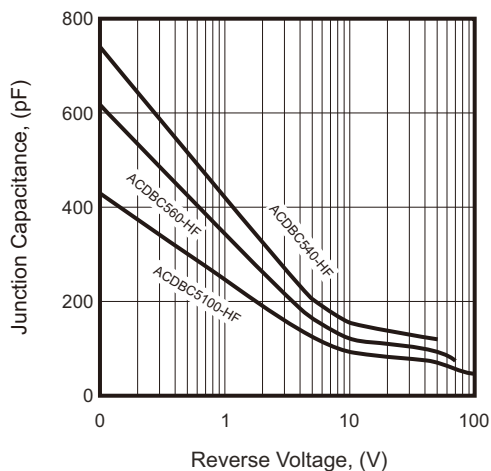
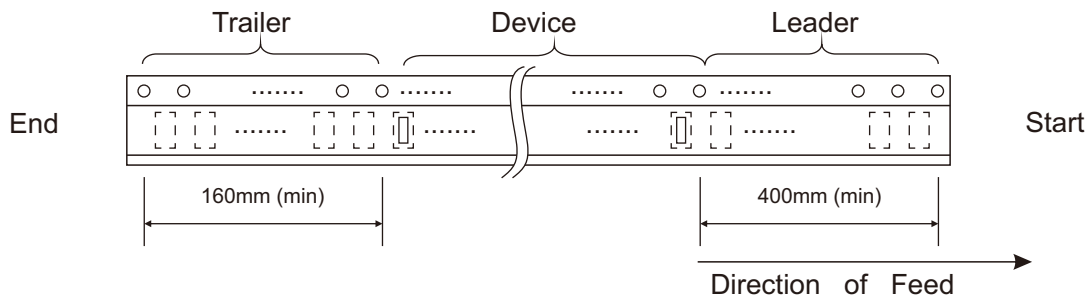
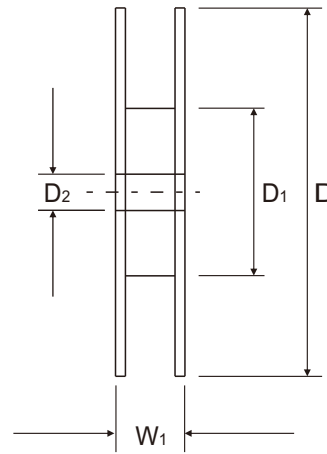
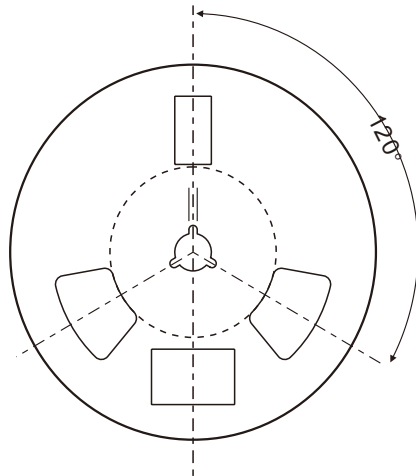
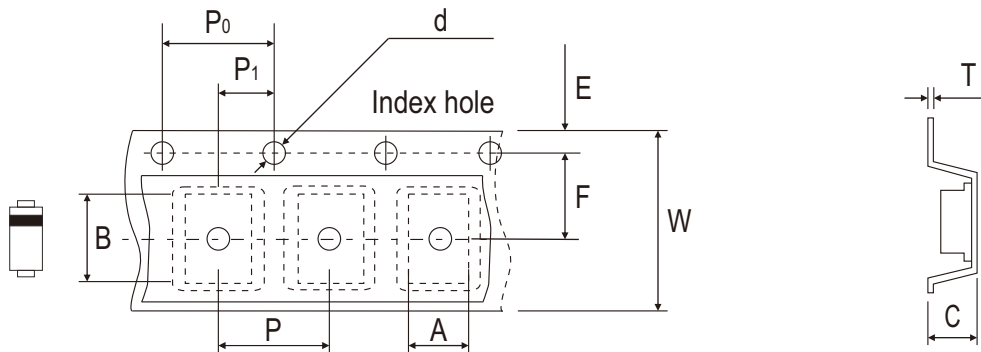


Fig.5 - Typical Junction Capacitance



## Reel Taping Specification



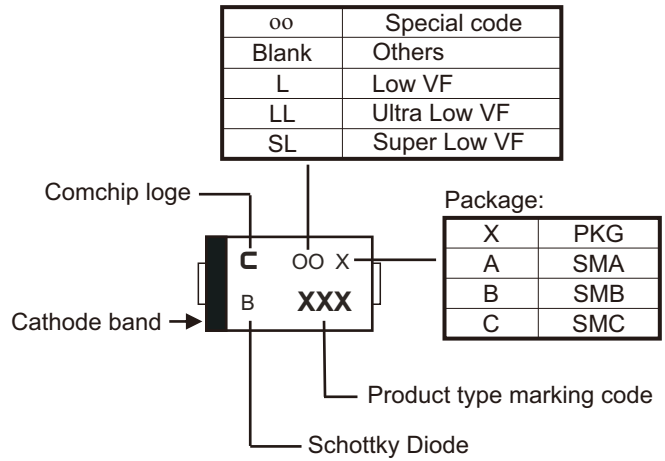
DO-214AB (SMC)	SYMBOL	A	B	C	d	D	D1	D2
	(mm)	6.30 MAX.	8.60 MAX.	2.90 MAX.	1.50 ± 0.10	330 ± 2.00	50 MIN.	13.50 ± 1.00
	(inch)	0.248 MAX.	0.339 MAX.	0.114 MAX.	0.059 ± 0.004	12.992 ± 0.079	1.969 MIN.	0.531 ± 0.039

DO-214AB (SMC)	SYMBOL	E	F	P	P0	P1	T	W	W1
	(mm)	1.75 ± 0.10	7.50 ± 0.10	8.00 ± 0.10	4.00 ± 0.10	2.00 ± 0.10	0.6 MAX.	16.00 ± 0.30	22.40 MAX.
	(inch)	0.069 ± 0.004	0.295 ± 0.004	0.315 ± 0.004	0.157 ± 0.004	0.079 ± 0.004	0.024 MAX.	0.630 ± 0.012	0.882 MAX.

Company reserves the right to improve product design, functions and reliability without notice. REV:B

## Marking Code

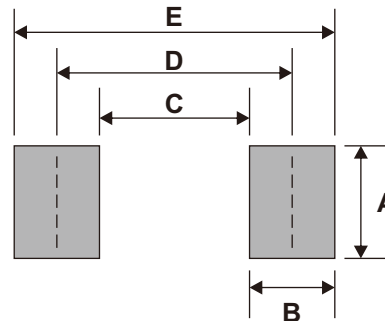
Part Number	Marking Code
ACDBC540-HF	540
ACDBC560-HF	560
ACDBC5100-HF	5100



xxx/xxxx = Product type marking code

## Suggested PAD Layout

SIZE	DO-214AB (SMC)	
	(mm)	(inch)
A	3.30	0.130
B	2.50	0.098
C	4.40	0.173
D	6.80	0.268
E	9.40	0.370



Note: 1. The pad layout is for reference purposes only.

## Standard Packaging

Case Type	REEL PACK	
	REEL ( pcs )	Reel Size (inch)
DO-214AB (SMC)	3,000	13