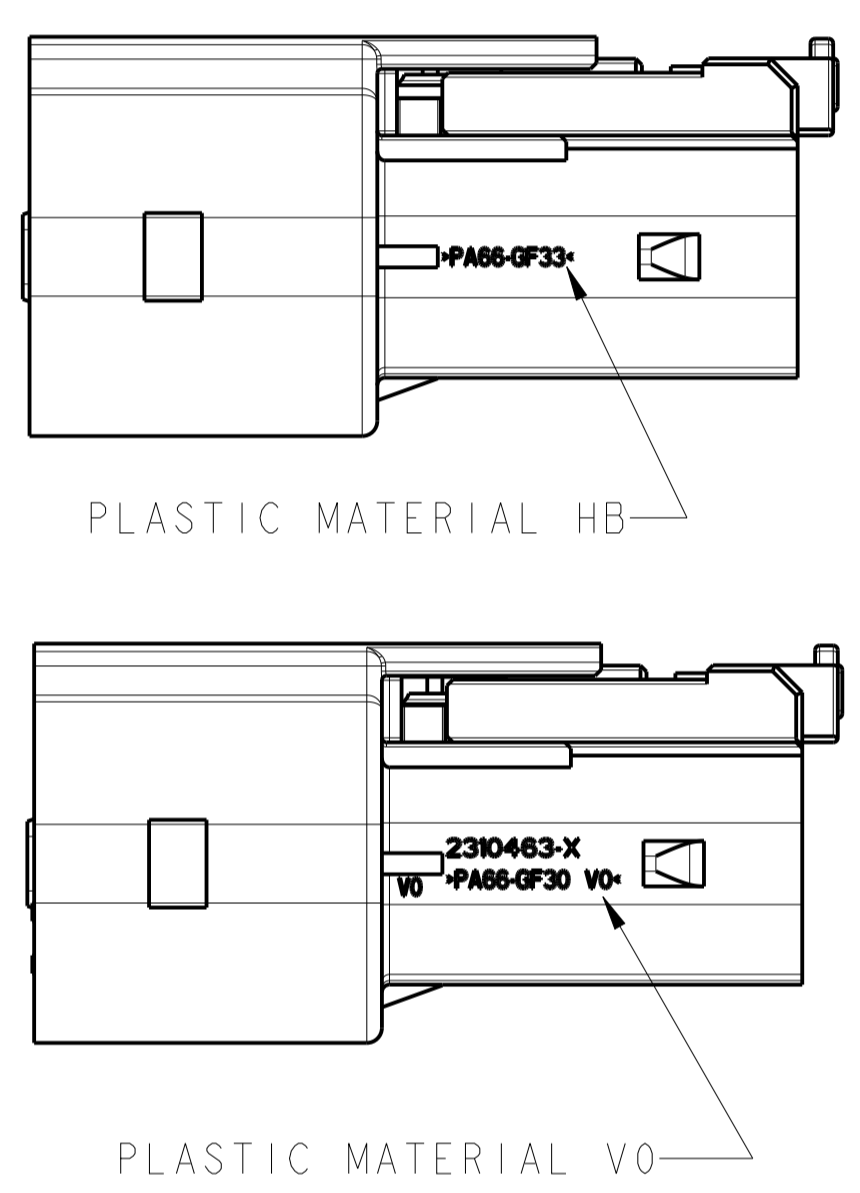
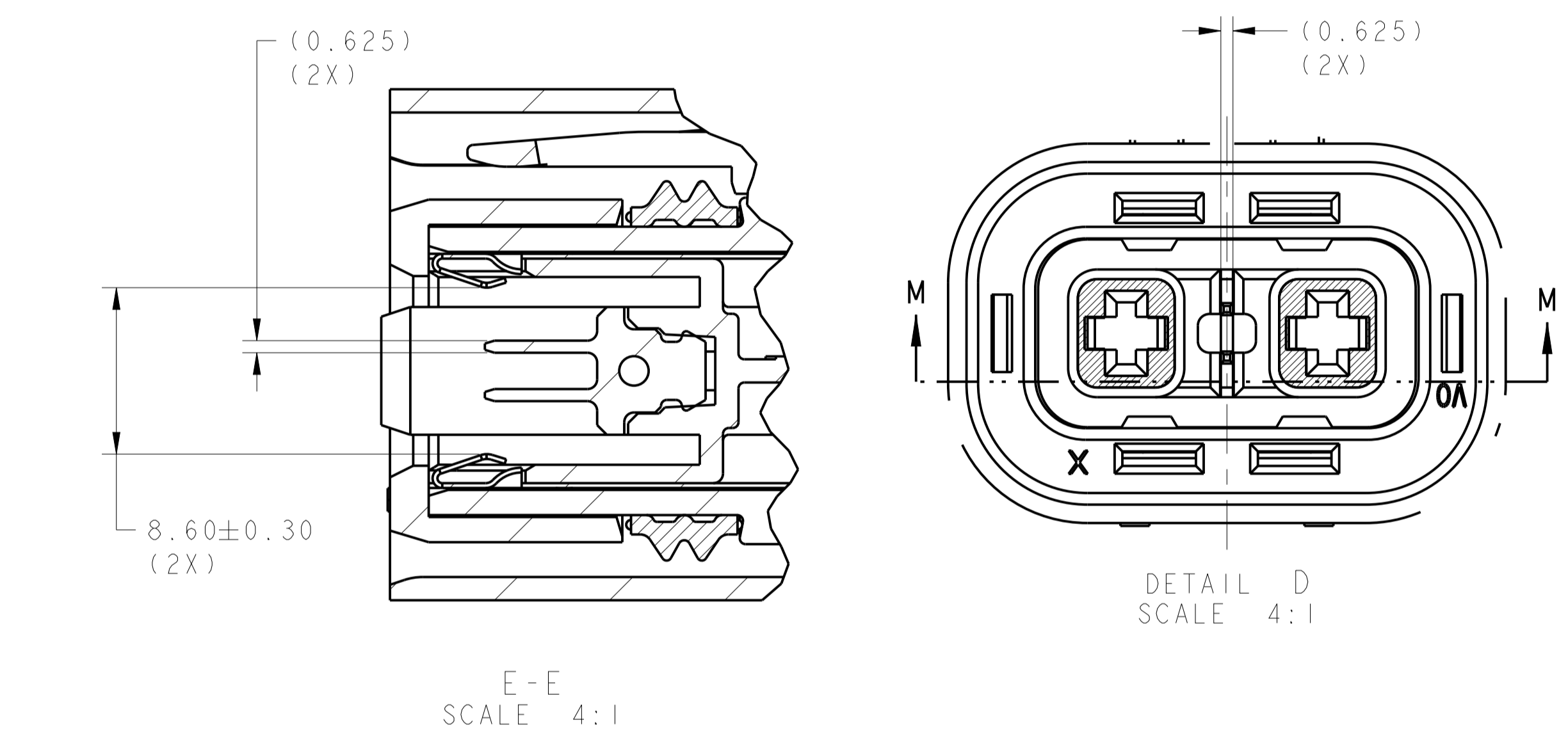
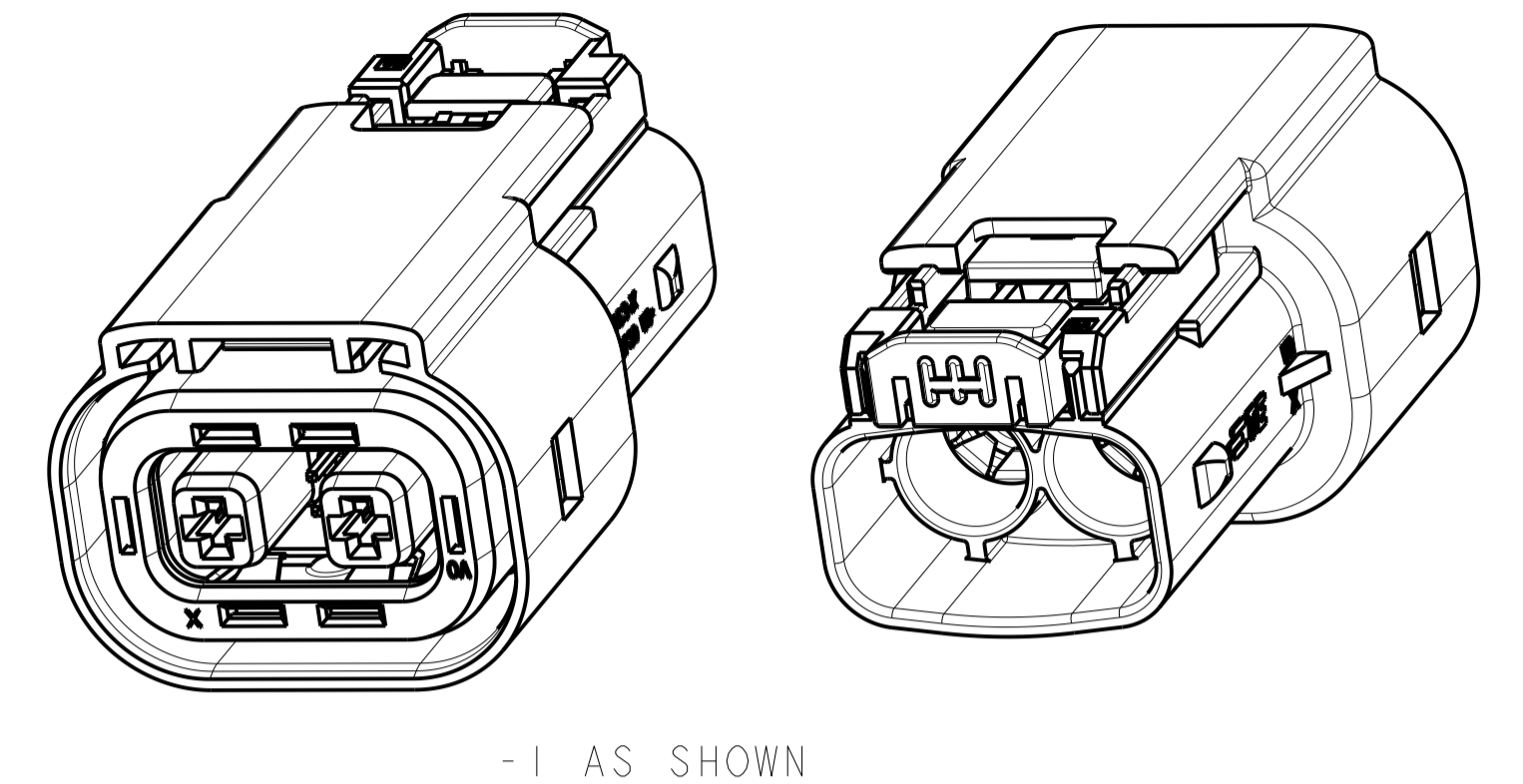
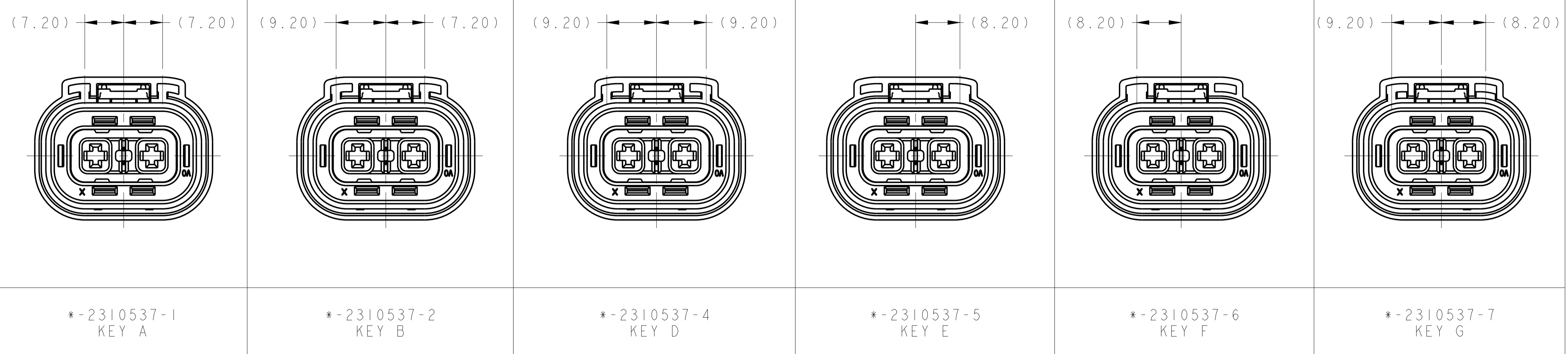
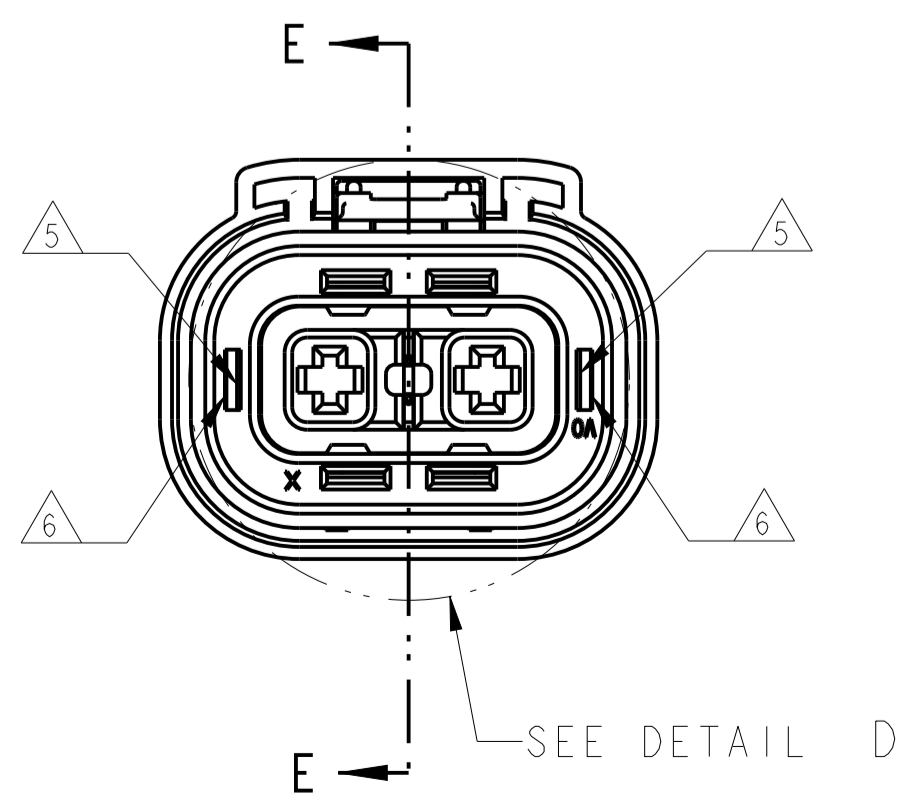
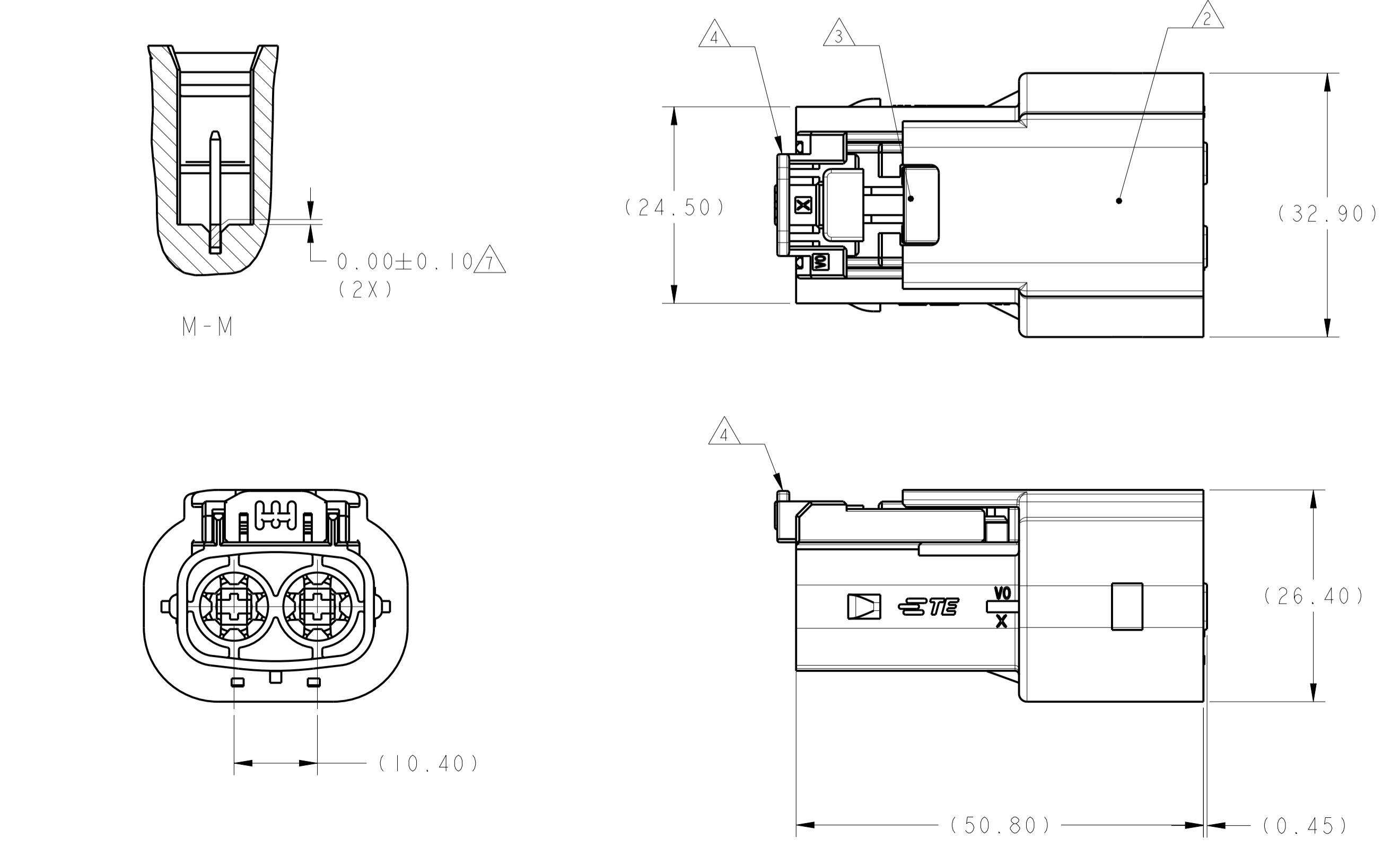


REVISIONS				
P.	LTN	DESCRIPTION	DATE	OWN APVD
B2		REVISION (ECR-19-005351)	17MAY19	R.Z E.J
B3		REVISION (ECR-19-018340)	25NOV19	R.Z E.J
B4		ADD NEW PN(ECO-20-010464)	27JUL20	C.C E.J
-	-	-	-	-



- CONNECTOR MUST BE FREE OF ANY MECHANICAL DEFECTS WHICH MAY AFFECT FIT, FORM, OR PERFORMANCE
- PART NUMBER AND ASSEMBLY DATE CODE MARKED IN THIS AREA
- FLOATING LATCH MUST BE FULLY INSTALLED AS SHOWN
- CPA, WHEN PRESENT MUST BE INSTALLED IN PRE-STAGE POSITION AS SHOWN
- INNER HOUSING SUB ASSEMBLY MUST BE FULLY LOCKED IN TWO LOCATIONS INTO OUTER HOUSING. INSPECTION PRIOR TO ASSEMBLY OF PERIPHERAL SEAL RETAINER PERMITTED
- PERIPHERAL SEAL RETAINER MUST BE FULLY LOCKED IN TWO LOCATIONS INTO OUTER HOUSING.
- MEASURE EACH STAMPING SHOULDER FLUSH CONDITION TO NEIGHBORING PLASTIC SURFACE
- SHIELDING INFORMATION AND FIRE RETARDANT CLASS FOR PLASTIC PART SEE BELOW TABLE.

P/N	SHIELDING INFO	FIRE RETARDANT CLASS OF PLASTIC MATERIAL	REFERENCE DRAWING (P/N) FOR MISSING DIMENSION
2310537-1	CuSn4 Sn PLATING OVER Ni	V0	4-2103177-1
2310537-2			4-2103177-2
2310537-4			4-2103177-4
2310537-5			4-2103177-5
2310537-6			4-2103177-6
2310537-7			4-2103177-7
2-2310537-1			CuSn4 Sn PLATING OVER Ni
2-2310537-2	4-2103177-2		
2-2310537-3	4-2103177-3		
2-2310537-4	4-2103177-4		
2-2310537-5	4-2103177-5		
2-2310537-6	4-2103177-6		
2-2310537-7	4-2103177-7		
3-2310537-4	CuSn4 Sn PLATING OVER Ni		4-2103177-4



THIS DRAWING IS A CONTROLLED DOCUMENT. OWN: R. ZHANG 14OCT2016
 CHK: S.Y. WANG 10JUL2017
 APVD: J. YIN 27JUL2017

DIMENSIONS: mm
 TOLERANCES UNLESS OTHERWISE SPECIFIED:
 1. PLC ±0.2
 2. PLC ±0.15
 3. PLC ±0.1
 4. PLES ±0.001

PRODUCT SPEC: Refer to 108-2394
 APPLICATION SPEC: Refer to 114-13259

NAME: PLUG ASSY HVA280-2PHI
 SIZE: A1
 CAGE CODE: -
 DRAWING NO: C=2310537
 RESTRICTED TO: B4

CUSTOMER DRAWING SCALE: 2:1 SHEET: 1 OF 1 REV: B4