

4

3

2

1

THIS DRAWING IS UNPUBLISHED.

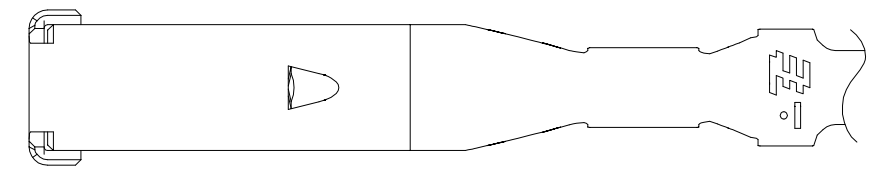
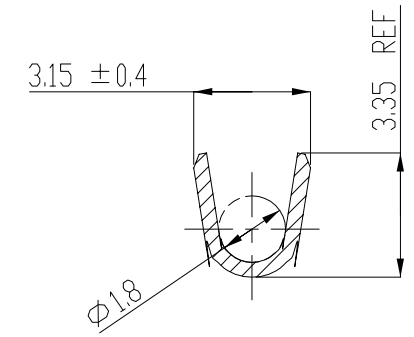
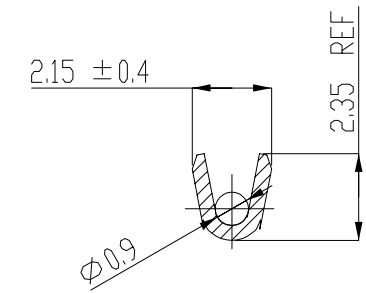
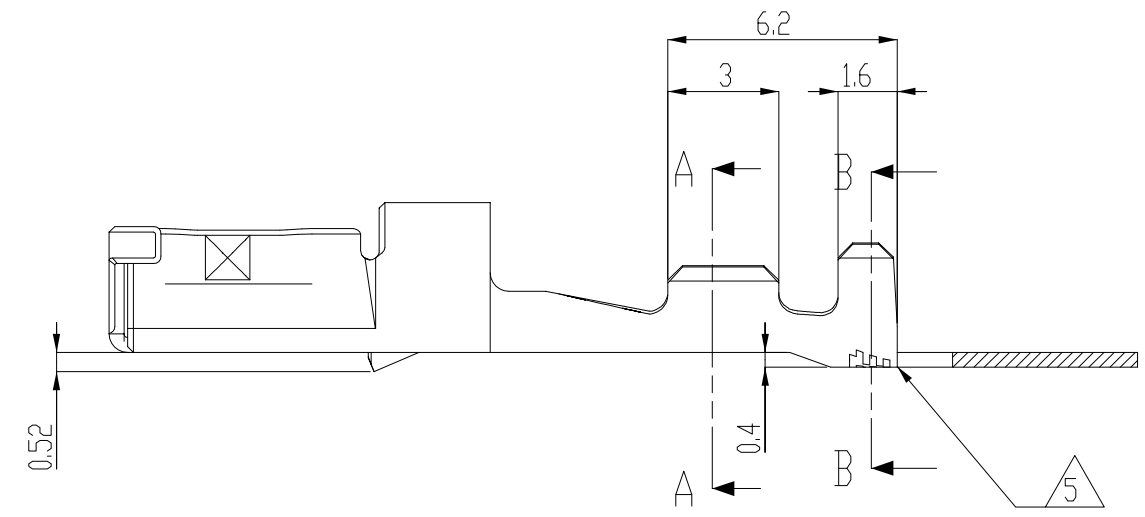
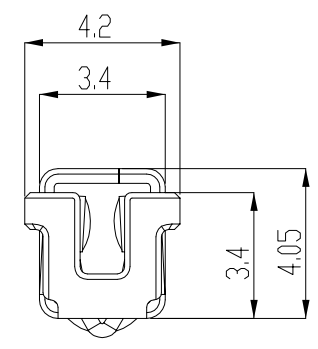
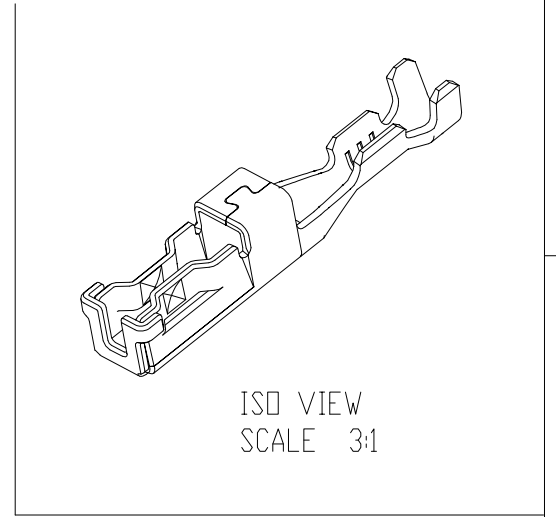
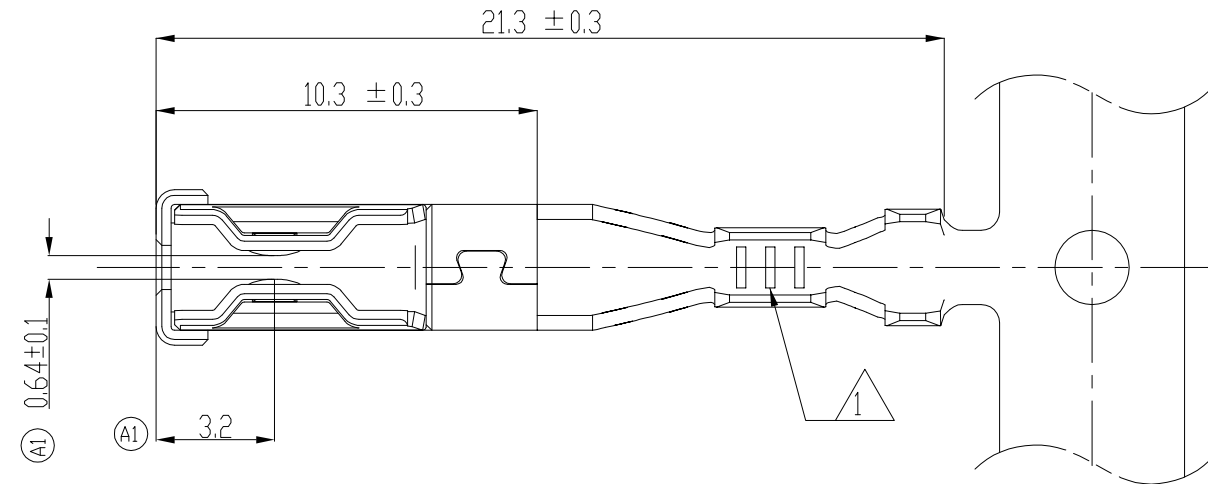
RELEASED FOR PUBLICATION

20

REVISIONS

© COPYRIGHT 20 BY TYCO ELECTRONICS CORPORATION. ALL RIGHTS RESERVED.

P	LTR	DESCRIPTION	DATE	DWN	APVD
	A	RELEASE	09APR'09	SH	JK
	A1	REVISED (ECR-14-004828)	01.APR.'14	JM	HG



NOTES;

- 1. THREE SERRATIONS WERE CENTERED IN WIRE BARREL
- 2. WIRE SIZE EQUIV AESSXF 0.3~ AEXF 0.5 sqmm
- 3. TOLERANCES UNLESS OTHERWISE SPECIFIED : ±0.2, ±3°
- 4. MUST BE REFERRED TO THE FOLLOWING TABLE 1 FOR CRIMPING OPERATION.
- 5. 0.5 Max Cutoff Tab, with 0.15 Max Burr

PRE-TINNED	CuNiSi Alloy 0.4THK	1897662-1
FINISH	MATERIAL	PART NUMBER
DWN JM JEON CHK JW JUNG APVD HG CHO PRODUCT SPEC 108-61109 APPLICATION SPEC 114-61027 WEIGHT -		NAME TE TE Connectivity LOW-PROFILE FUSE RECEPTACLE
SIZE A3	CAGE CODE 00779	DRAWING NO C-1897662
CUSTOMER DRAWING		RESTRICTED TO -
SCALE 5:1	SHEET 1 OF 2	REV A1

THIS DRAWING IS A CONTROLLED DOCUMENT FOR TYCO ELECTRONICS CORPORATION
IT IS SUBJECT TO CHANGE AND THE CONTROLLING ENGINEERING ORGANIZATION
SHOULD BE CONTACTED FOR THE LATEST REVISION.

DIMENSIONS: mm	TOLERANCES UNLESS OTHERWISE SPECIFIED:
	0 PLC ±-
	1 PLC ±-
	2 PLC ±-
	3 PLC ±-
	4 PLC ±-
	ANGLES ±-
MATERIAL -	FINISH -

THIS DRAWING IS UNPUBLISHED.

RELEASED FOR PUBLICATION

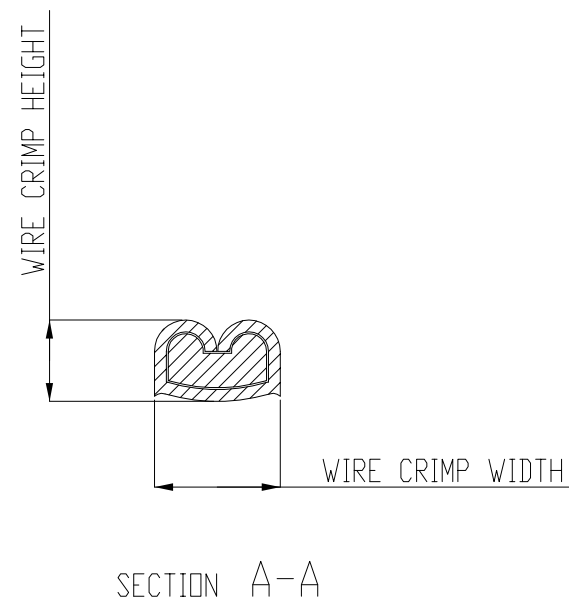
REVISIONS

© COPYRIGHT BY TYCO ELECTRONICS CORPORATION. ALL RIGHTS RESERVED.

P	LTR	DESCRIPTION	DATE	DWN	APVD
		SEE SHEET 1 OF 2			

TABLE 1

Wire Size(mm ²)	Wire Strip Length	Wire Crimp				Insulation Crimp	
		Width	Height	Form	Area index(%)	Width	Form
AVSF,AVXF,AEXF 0.3(0.3054)	4.3	1.58	1.28±0.03	F	76.17~84.22	3.5	F
AVSS,AVX,AEX 0.3(0.3716)							
AESSXF,AVSSF 0.3(0.382)							
TXL 0.35(0.324)							
FLR 0.35(0.4156)			1.36±0.03				
FLX,FLY 0.5(0.5027)							
TXL,AVSF,AEXF 0.5(0.5089)							
AESSXF,FLR,AVSSF 0.5(0.5389)							
AVSS, AEX, CAVS 0.5(0.563)							



THIS DRAWING IS A CONTROLLED DOCUMENT FOR TYCO ELECTRONICS CORPORATION IT IS SUBJECT TO CHANGE AND THE CONTROLLING ENGINEERING ORGANIZATION SHOULD BE CONTACTED FOR THE LATEST REVISION.		DWN	TE TE Connectivity		
DIMENSIONS:		CHK			
TOLERANCES UNLESS OTHERWISE SPECIFIED:		APVD	NAME		
0 PLC ±		PRODUCT SPEC	LOW-PROFILE FUSE RECEPTACLE		
1 PLC ±		APPLICATION SPEC			
2 PLC ±		SIZE	CAGE CODE	DRAWING NO	RESTRICTED TO
3 PLC ±		WEIGHT	A3	00779	1897662
4 PLC ±		CUSTOMER DRAWING		SCALE	SHEET 2 OF 2
ANGLES ±				REV	A1
FINISH					