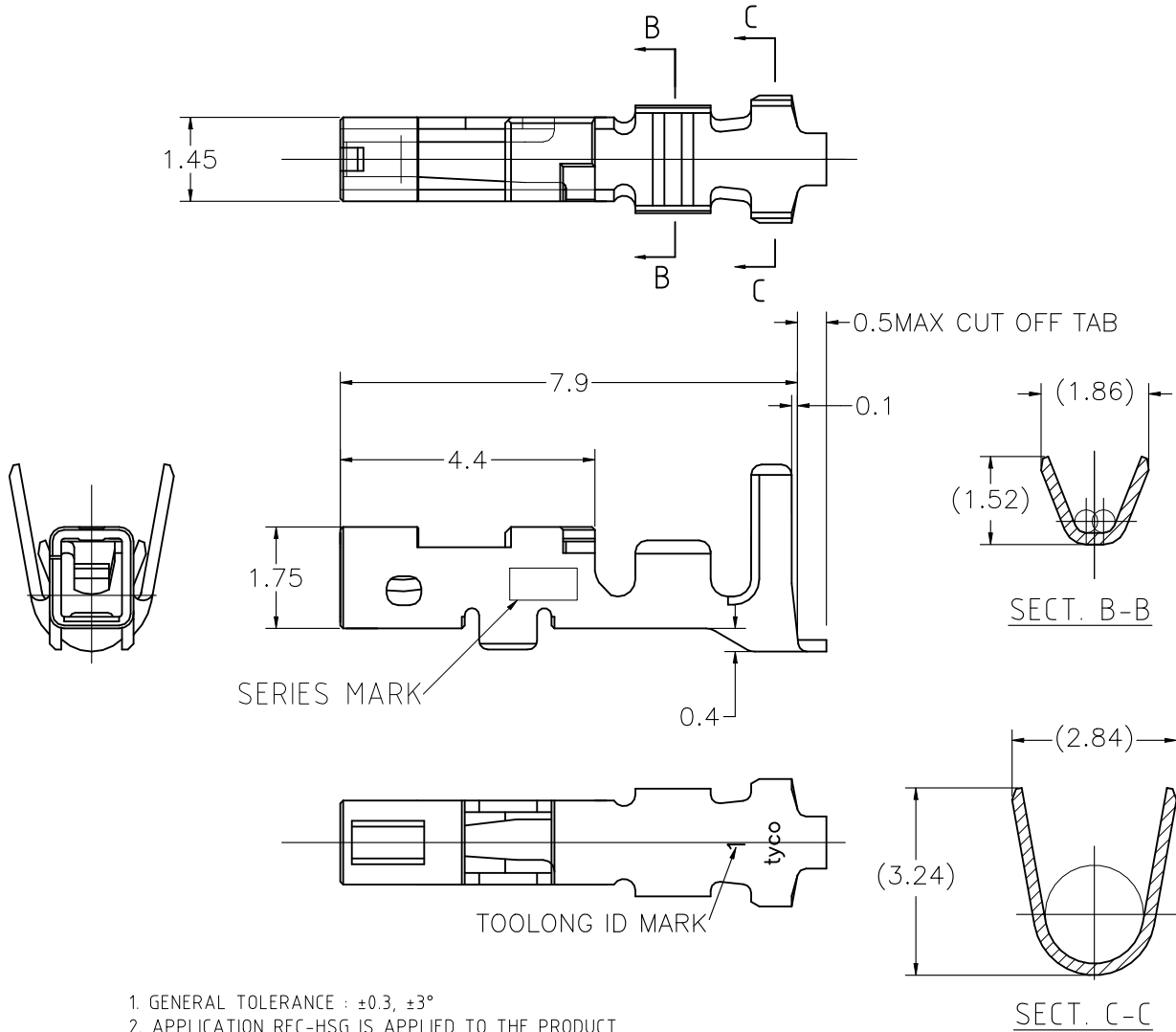


REVISIONS 変更					
P	LTR	DESCRIPTION	DATE	DWN	APVD
	C	REVISED PER ECR-22-142637	16JUN2022	RI	TS



- GENERAL TOLERANCE : ± 0.3 , $\pm 3^\circ$
- APPLICATION REC-HSG IS APPLIED TO THE PRODUCT OF 2.5mm PITCH OR MORE OF DYNAMIC D1000SERIES.
2.0mmPITCH CANNOT BE USED.
- 3 OVER Ni PL : 1.27um MIN
Au PL(CONTACT AREA): 0.38um MIN
- 4 OVER Ni PL : 1.27um MIN
Au PL(CONTACT AREA): 0.2um MIN

D L 4	1827588-4 Δ
D L	1827588-2 Δ
SERIES MARK	PART NUMBER

TE Connectivity. All Rights Reserved.

DIMENSIONS: 単位: 耗 mm	DWN T.KUDO	23MAR2005	MATERIAL 材料	COPPER ALLOY	FINISH 仕上	-
	CHK D.MITSUGI	23MAR2005	TE Connectivity			
TOLERANCES UNLESS OTHERWISE SPECIFIED: 一般公差	APVD D.MITSUGI	23MAR2005				
	0 PLC $\pm -$ 1 PLC $\pm -$ 2 PLC $\pm -$ 3 PLC $\pm -$ 4 PLC $\pm -$	PRODUCT SPEC 製品規格	108-78268	DYNAMIC D1000 SERIES REC CONTACT (L TYPE)(L/P)		
ANGLES $\pm -$	APPLICATION SPEC 取付適用規格	114-5377	SIZE	A4	CAGE CODE	00779
	WEIGHT	-	DRAWING NO 番号	G-1827588		RESTRICTED TO
	CUSTOMER DRAWING			SCALE 尺度	8:1	SHEET
					REV	C