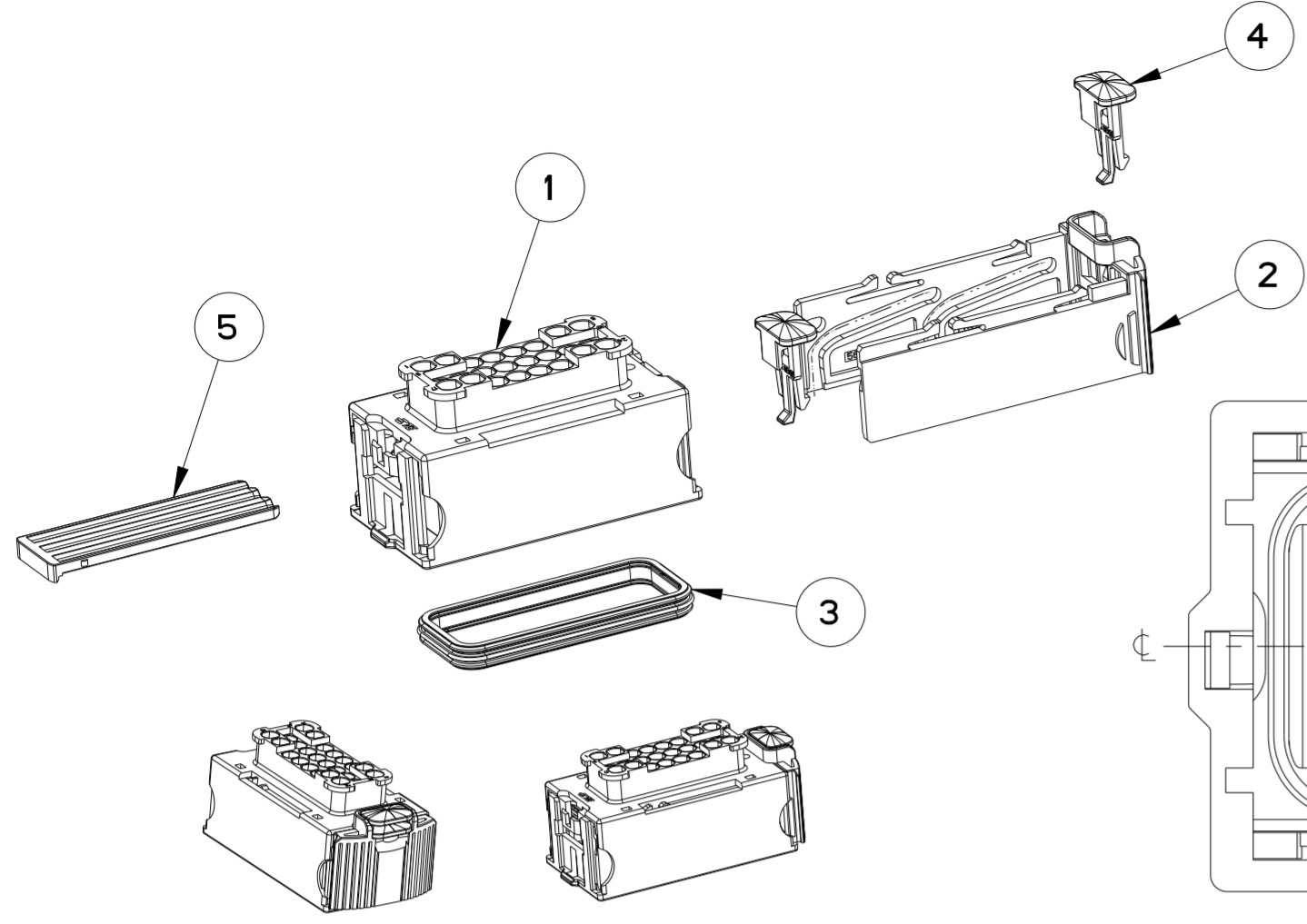
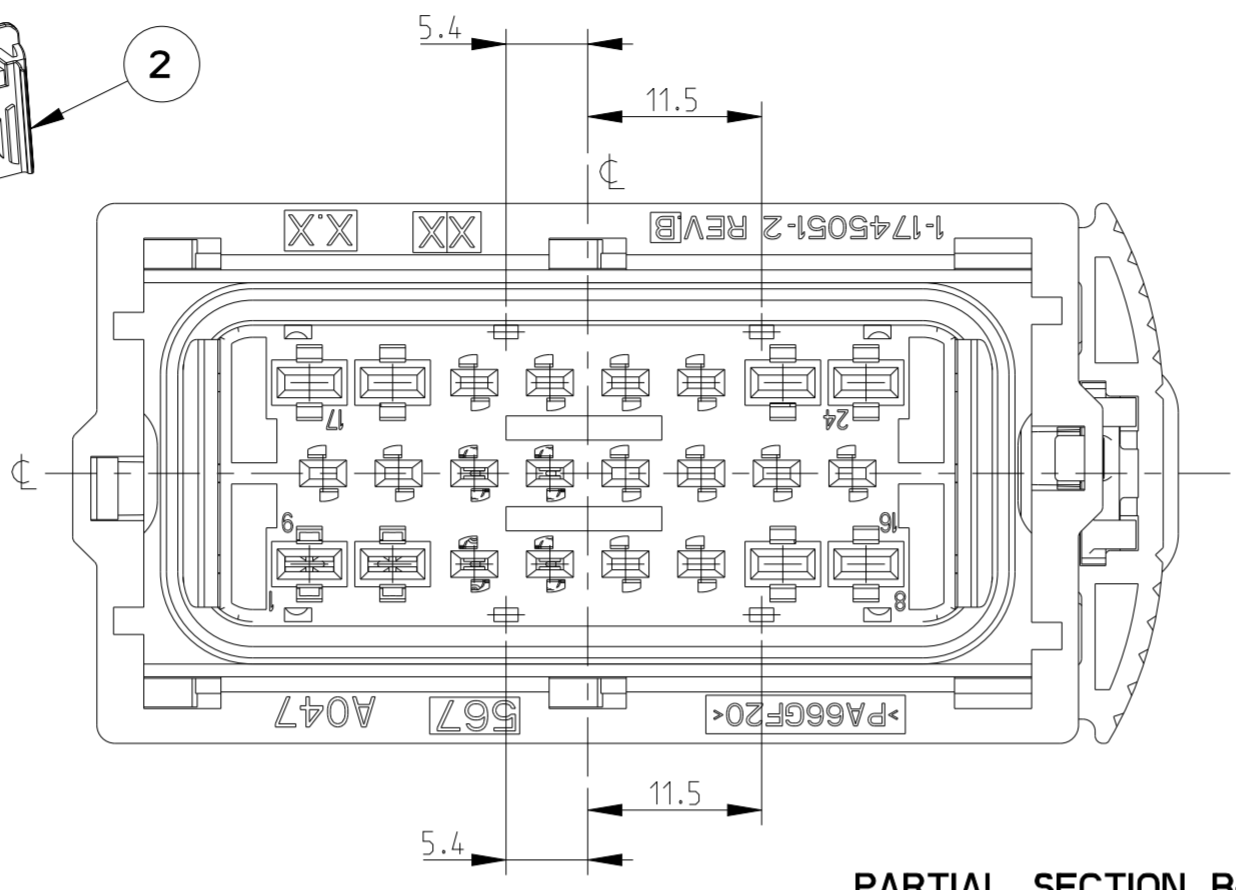


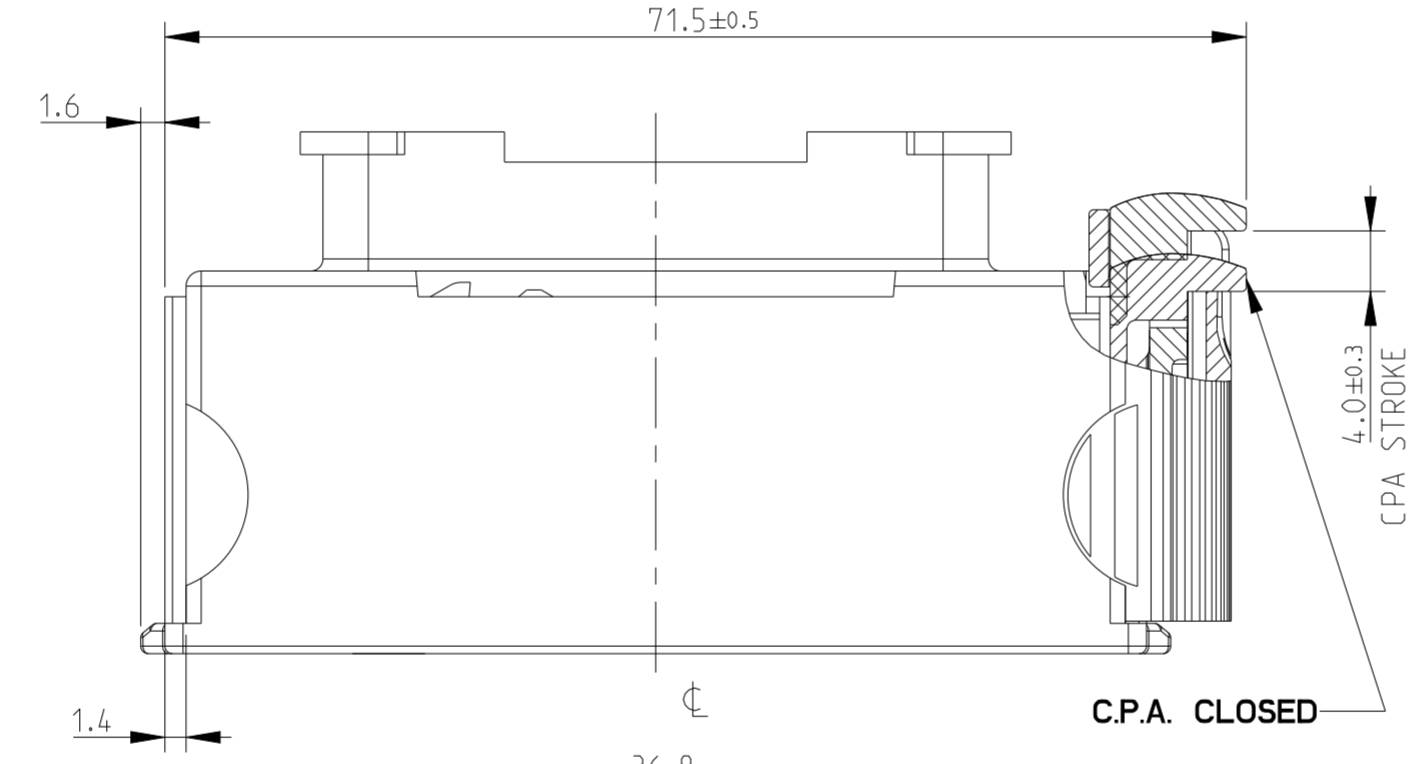
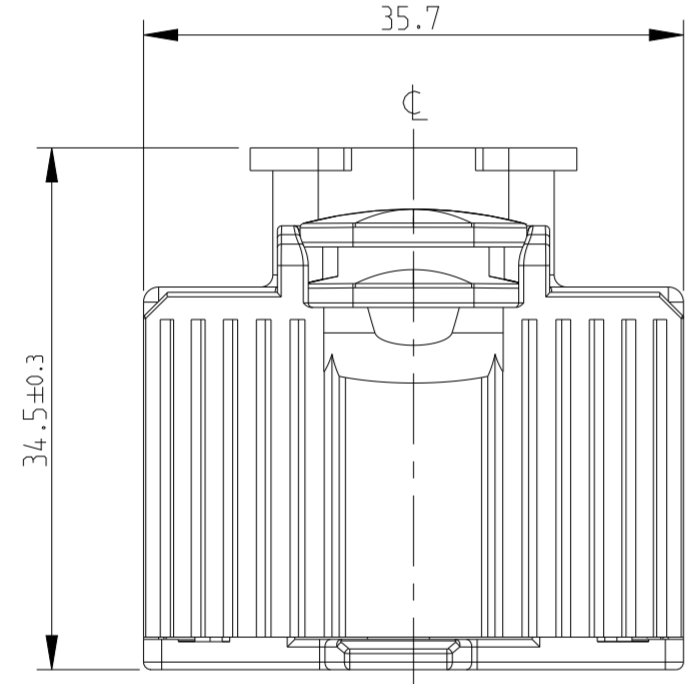
REVISIONS				
P	LTR	DESCRIPTION	DATE	APVD
B		NEW DRAWING	11AUG2021	AP VN



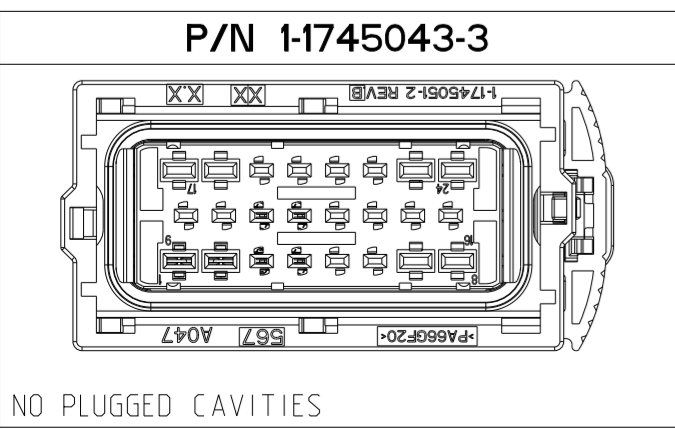
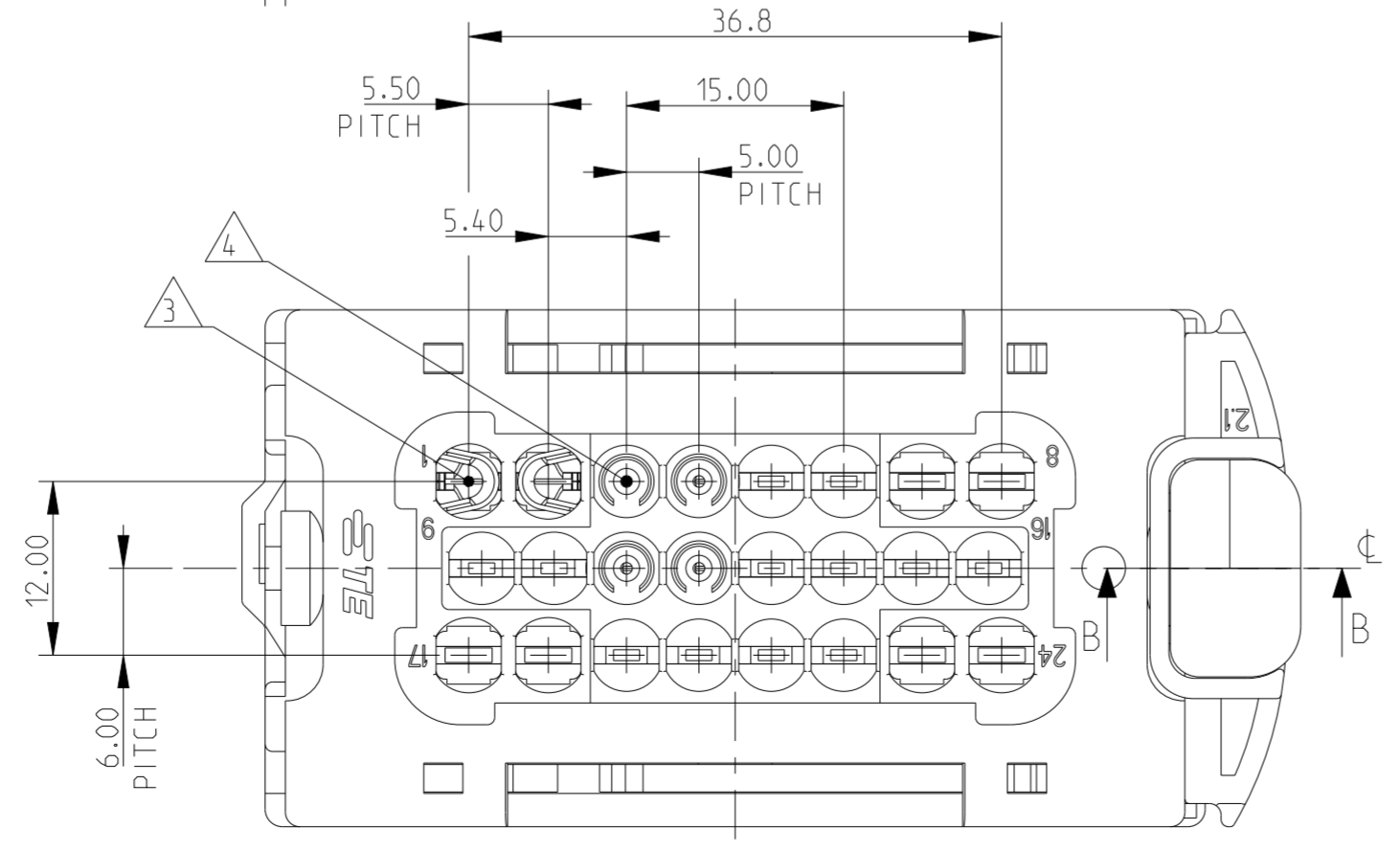
P/N 1-1745043-3 AS SHOWN



PARTIAL SECTION B-B



C.P.A. CLOSED



AVAILABLE ELECTRICAL WAY	
1-1745043-3	n*8 MCP 2.8K; n*16 MCP 1.5K

ITEM	DESCRIPTION	MATERIAL	COLOUR	Q.TY
			1-1745043-3	
1	24W FEMALE HOUSING	PA66 20%G.F.	GREY	1
2	SLIDE	PA66 30%G.F.	RED	1
3	PERIPHERAL SEAL	LSR	YELLOW	1
4	C.P.A.	PA66 13%G.F.	YELLOW	1
5	SECONDARY LOCK	PA66 30%G.F.	RED	1

1) INTERFACE COUNTERPART ACCORDING TO SPEC 114-20137

2) CONNECTOR SUPPLIED WITH CLOSED SLIDE AND C.P.A. PRE-ASSEMBLED, SECONDARY LOCK SUPPLIED IN KIT IN THE SAME BOX AND QUANTITY

8 CAVITIES SUITABLE FOR AMP MCP 2.8 RECEPTACLE CONTACT				
TIN PLTD P/N	GOLD PLTD P/N	WIRE RANGE [mm <sup>2</sup> ]	WIRE SEAL P/N	CAVITY PLUG P/N
1241392-1	1241392-2	0.35	963294-1	828922-1
1241394-1	1241394-2	0.5+1.0	963294-1	
1241396-1	1241396-2	> 1.0+1.5	963293-1	
1241396-1	1241396-2	2.5	963292-1	
16 CAVITIES SUITABLE FOR AMP MCP 15 RECEPTACLE CONTACT				
TIN PLTD P/N	GOLD PLTD P/N	WIRE RANGE [mm <sup>2</sup> ]	WIRE SEAL P/N	CAVITY PLUG P/N
1241378-1	1564324-2	0.35	284863-1	828906-2
1564324-1				
1241380-1	1241380-2	0.5+1.0	284863-1	

NOTE: FOR ELECTRICAL PERFORMANCE OF CONTACTS SEE PRODUCT SPEC. 108-20262

PRODUCT CHARACTERISTICS ACC. QMP 012

THIS DRAWING IS A CONTROLLED DOCUMENT.		DWN AJITH PAI 05 JUN 2020	TE Connectivity	
DIMENSIONS: mm		CHK VISHWANATH NAIK 05 JUN 2020		
TOLERANCES UNLESS OTHERWISE SPECIFIED:		APVD VISHWANATH NAIK 05 JUN 2020	NAME 24 POS. MCP1.5/2.8 FEMALE CONNECTOR SEALED	
0 PLC ±0.5		PRODUCT SPEC 108-20262	SIZE CAGE CODE DRAWING NO RESTRICTED TO	
1 PLC ±0.3		APPLICATION SPEC 411-20100	A2 00779 C-1745043	
2 PLC ±0.1		WEIGHT 46.1g	SCALE 2:1 SHEET 1 OF 2 REV B	
3 PLC ±		CUSTOMER DRAWING		
4 PLC ±				
ANGLES FINISH				
MATERIAL SEE TABLE				
SEE TABLE				

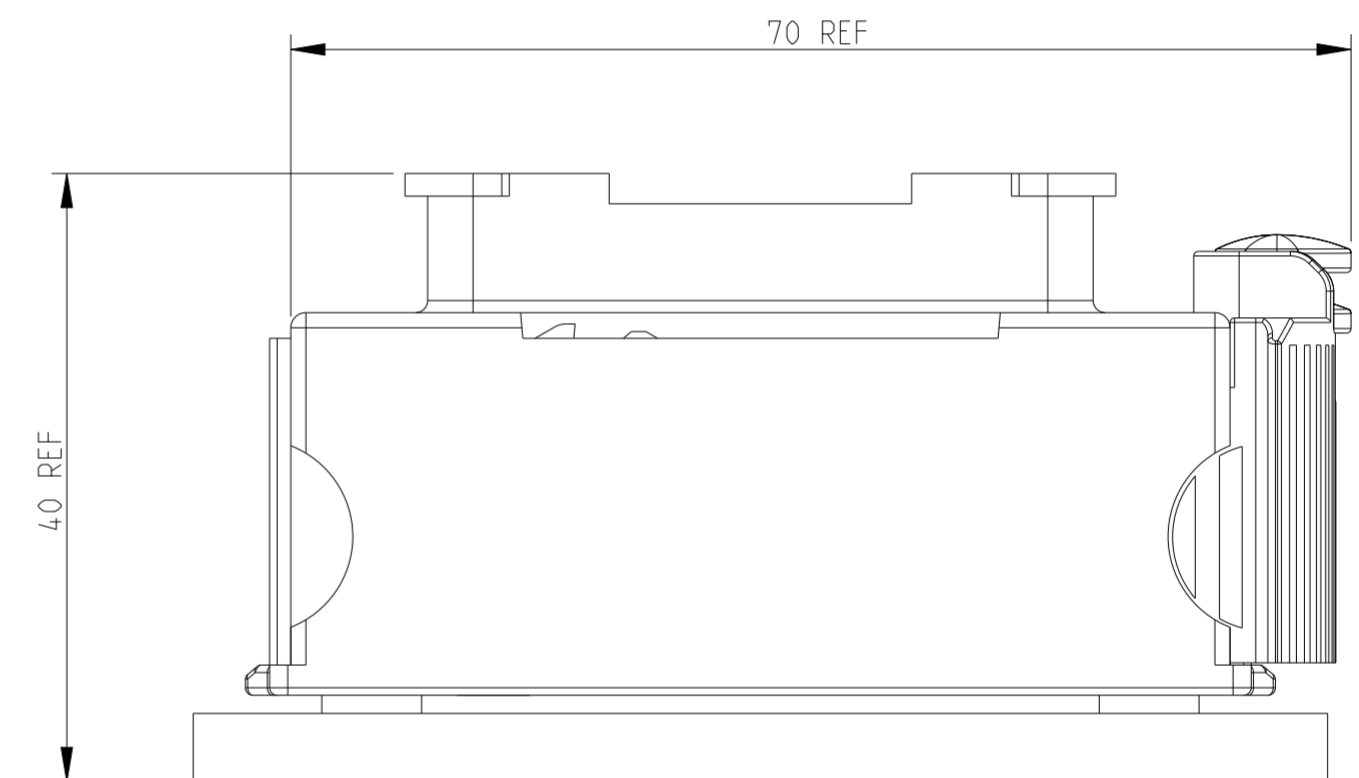
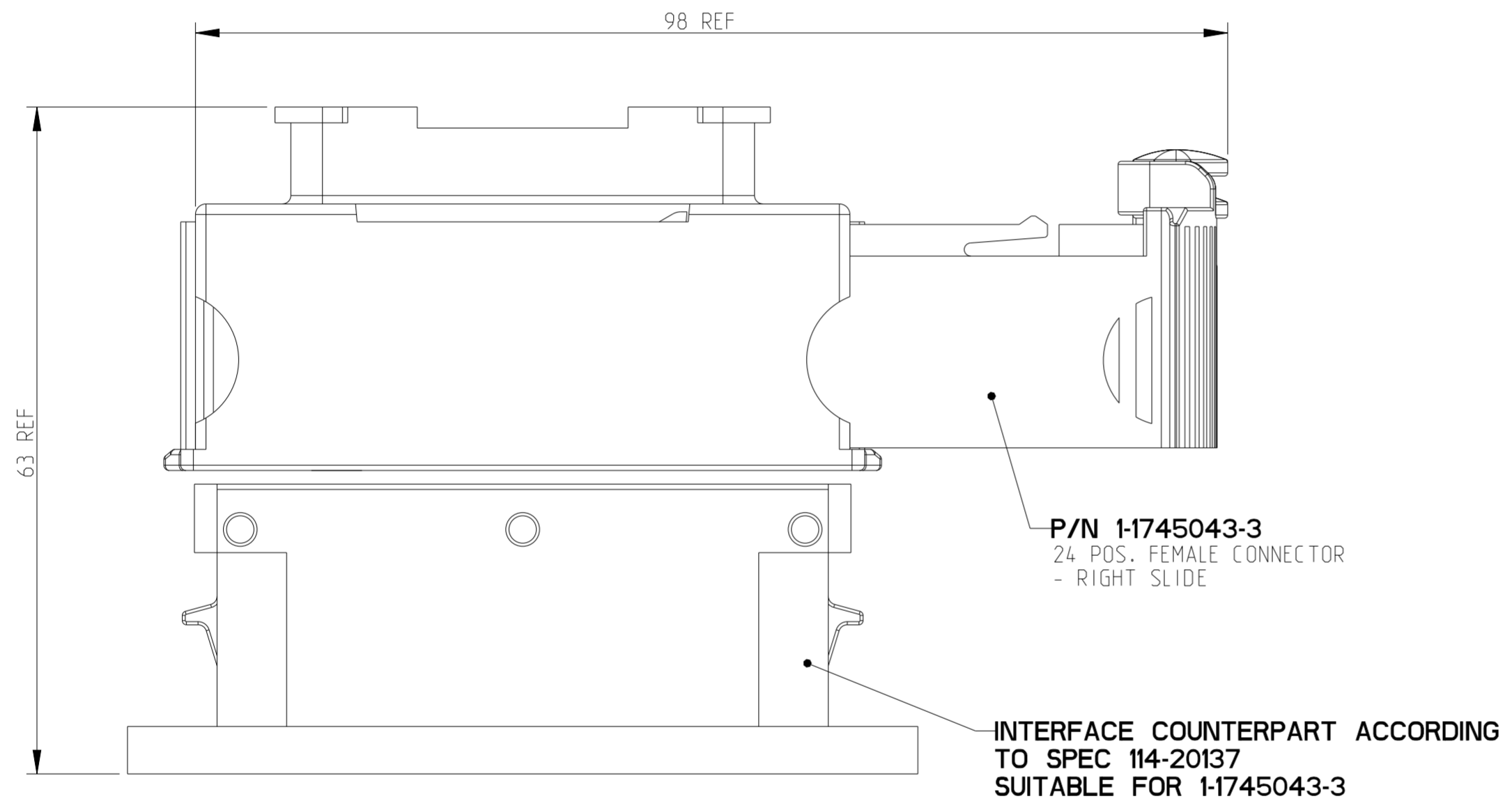
THIS DRAWING IS UNPUBLISHED. RELEASED FOR PUBLICATION 2002  
 © COPYRIGHT 2002 Tyco Electronics AMP GmbH ALL RIGHTS RESERVED.

REVISIONS				
P	LTR	DESCRIPTION	DATE	APVD
-		SEE SHEET 1	-	-

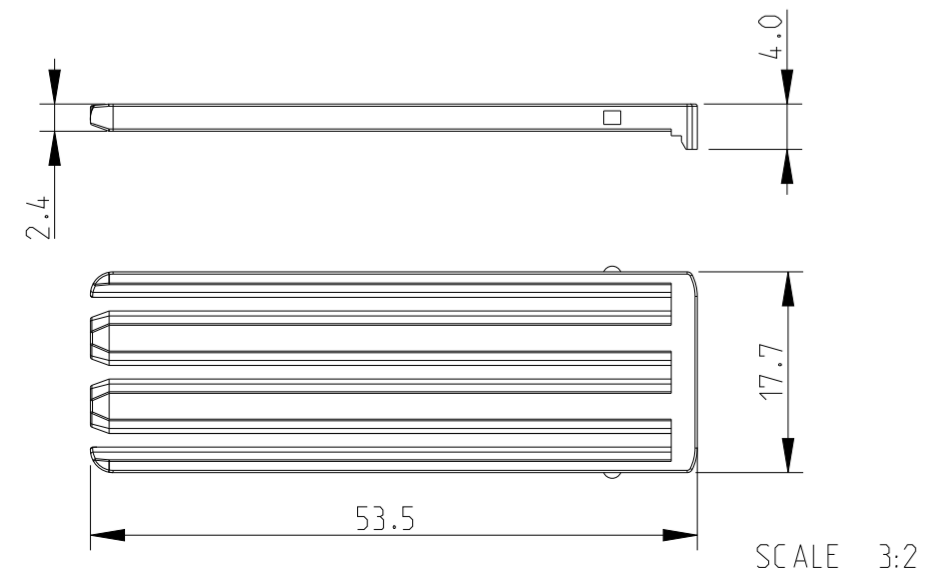
### SPACE NEEDED FOR COUNTERPART MATING

#### MATING PHASE CONNECTOR

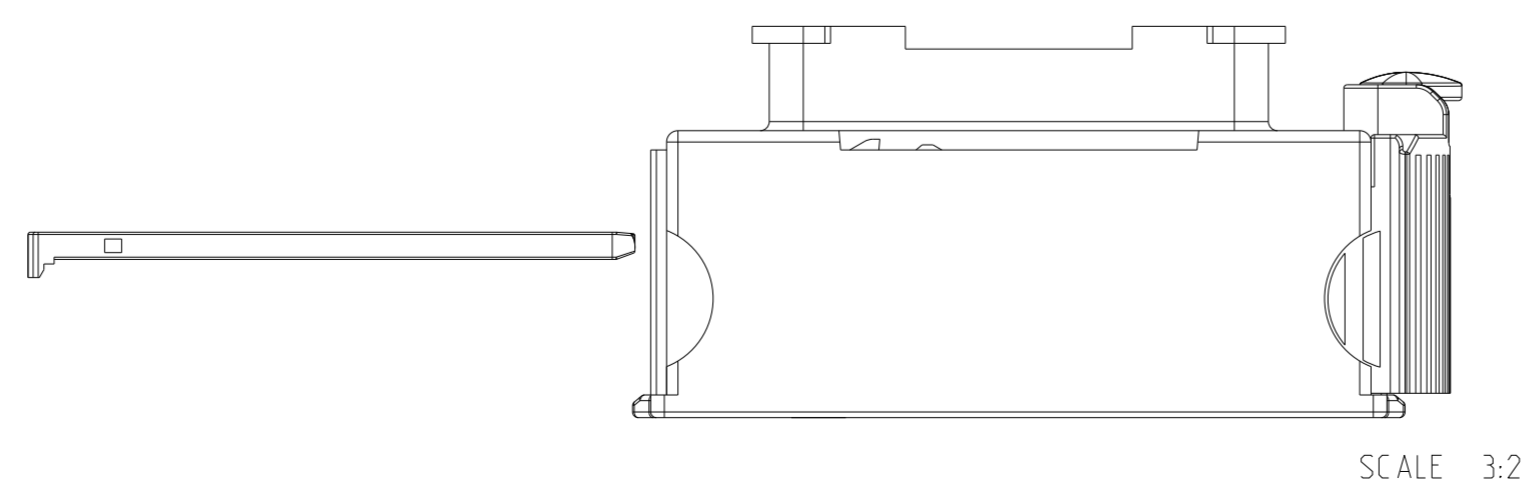
#### MATED CONNECTORS




#### SECONDARY LOCK



#### CONNECTOR AS SUPPLIED



THIS DRAWING IS A CONTROLLED DOCUMENT.		DWN AJITH PAI 05 JUN 2020	 TE Connectivity	
DIMENSIONS: mm		CHK VISHWANATH NAIK 05 JUN 2020		
TOLERANCES UNLESS OTHERWISE SPECIFIED:		APVD VISHWANATH NAIK 05 JUN 2020	PRODUCT SPEC 108-20262	RESTRICTED TO -
0 PLC ±0.5		APPLICATION SPEC 411-20100	SIZE A2	CAGE CODE 00779
1 PLC ±0.3		WEIGHT 46.1g	DRAWING NO C-1745043	SCALE 5:1
2 PLC ±0.1		CUSTOMER DRAWING	SHEET 2 OF 2	REV B
3 PLC ±				
4 PLC ±				
ANGLES ±°				
FINISH				
MATERIAL SEE TABLE				