

4

3

2

1

THIS DRAWING IS UNPUBLISHED.

RELEASED FOR PUBLICATION

AUG ,2006.

© COPYRIGHT 2009 BY TYCO ELECTRONICS CORPORATION. ALL RIGHTS RESERVED.

LOC DIST

REVISIONS

DW

P

LTR

DESCRIPTION

DATE

DWN

APVD

D

REVISED AS PER ECN-22-176158

27JUL2022

HS

SZ

NOTE:

1. MATERIAL:
 HOUSING: THERMOPLASTIC HIGH TEMPERATURE, UL 94V-0, COLOR: SEE PART TABLE.
 CONTACT: PHOSPHOR BRONZE, THICKNESS=0.25mm.
 SHELL: PHOSPHOR BRONZE, THICKNESS=0.30mm.
 REAR SHELL: STAINLESS, THICKNESS=0.30mm.

2. FINISH:
 CONTACT: \triangle GOLD FLASH OVER 30u" MIN. PALLADIUM-NICKEL OR ALTERNATIVE 30u" MIN. GOLD PLATED ON CONTACT AREA,
 \triangle GOLD FLASH ON CONTACT AREA,
 100u" MIN. MATTE-TIN PLATED ON SOLDER TAILS,
 50u" MIN. NICKEL UNDERPLATED ALL OVER.
 SHELL: 30u"~ 90u" NICKEL PLATED OVER ALL.

3. PANEL THICKNESS OF 2.67mm MAXIMUM IF RECEPTACLE CONNECTOR IS MOUNTED BEHIND A PANEL.

4. REFLOW SOLDER CAPABLE TO 260°C PER TE SPEC 109-201, CONDITION B.

\triangle PLEASE REMOVE POST HOLE ON PCB.
 \triangle NO EMBOSSED ON TOP SURFACE OF SHELL.
 \triangle OBSOLETE PARTS: OBSOLETE CIS STREAMLINING PER D.RENAUD/D.SINISI.

RECOMMENDED PCB LAYOUT

REAR SHELL	PACKAGE	POST	FINISH	HSG'S COLOR	PART NUMBER
w/o	REEL	w/o	\triangle	WHITE	2-1734346-8
			\triangle	BLACK	2-1734346-7
			\triangle	WHITE	2-1734346-6
			\triangle	BLACK	2-1734346-5
w/o	REEL	w/	\triangle	WHITE	2-1734346-4
			\triangle	BLACK	2-1734346-3
			\triangle	WHITE	2-1734346-2
			\triangle	BLACK	2-1734346-1
w/	REEL	w/o	\triangle	WHITE	1-1734346-8
			\triangle	BLACK	1-1734346-7
			\triangle	WHITE	1-1734346-6
			\triangle	BLACK	1-1734346-5
w/	REEL	w/	\triangle	WHITE	1-1734346-4
			\triangle	BLACK	1-1734346-3
			\triangle	WHITE	1-1734346-2
			\triangle	BLACK	1-1734346-1
w/	TRAY	w/o	\triangle	WHITE	1734346-8
			\triangle	BLACK	1734346-7
			\triangle	WHITE	1734346-6
			\triangle	BLACK	1734346-5
w/	TRAY	w/	\triangle	WHITE	1734346-4
			\triangle	BLACK	1734346-3
			\triangle	WHITE	1734346-2
			\triangle	BLACK	1734346-1

THIS DRAWING IS A CONTROLLED DOCUMENT.

DWN O. HU 26OCT2005

CHK S. HOU 26OCT2005

APVD W.J. KE 26OCT2005

PRODUCT SPEC

108-57538

APPLICATION SPEC

-

WEIGHT -

CUSTOMER DRAWING

DIMENSIONS:

MM

TOLERANCES UNLESS OTHERWISE SPECIFIED:

0 PLC	± 0.5
1 PLC	± 0.25
2 PLC	± 0.15
3 PLC	± 0.05
4 PLC	± -
ANGLES	± 3'

MATERIAL

SEE NOTE

FINISH

SEE NOTE

NAME

USB CONNECTOR, SERIES B, 4 POSITIONS, R/A, SMT TYPE, WITH REAR SHELL

SIZE

CAGE CODE

DRAWING NO

RESTRICTED TO

A3 00779 C=1734346

SCALE

SHEET

1 OF 3

REV

D

AMP 1470-19 REV 31MAR2000

4

3

2

1

THIS DRAWING IS UNPUBLISHED.

RELEASED FOR PUBLICATION

AUG ,2006.

© COPYRIGHT 2009 BY TYCO ELECTRONICS CORPORATION. ALL RIGHTS RESERVED.

LOC

DIST

REVISIONS

DW

P

LTR

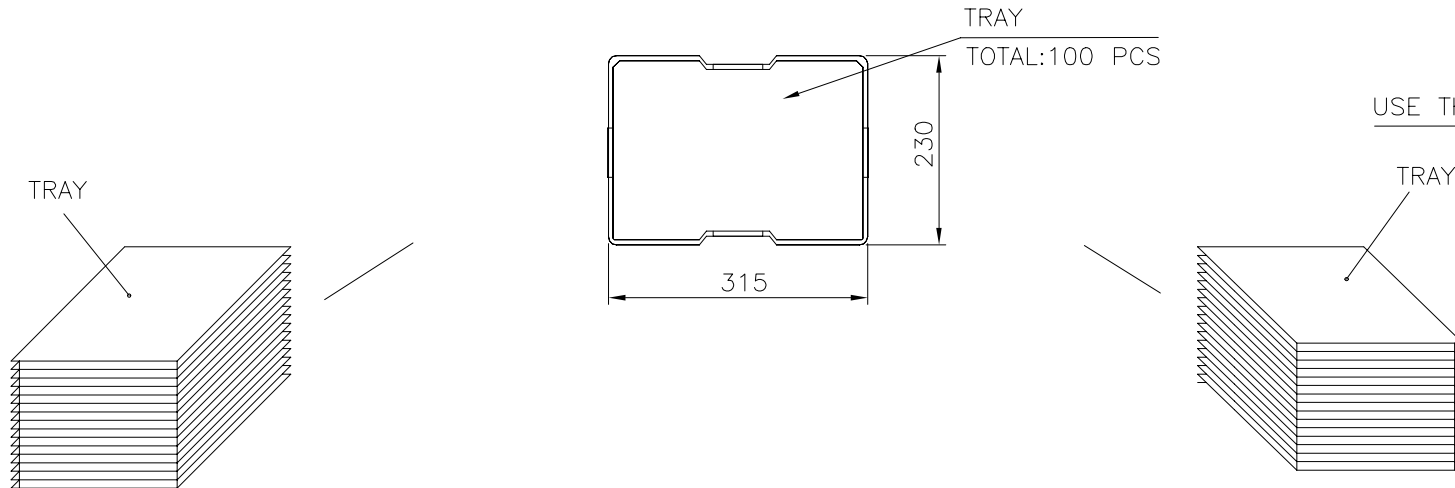
DESCRIPTION

DATE

DWN

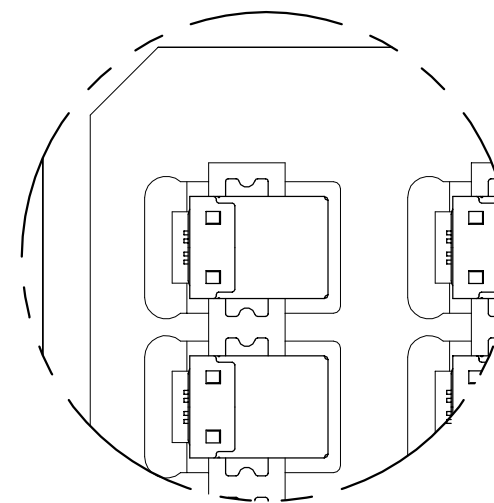
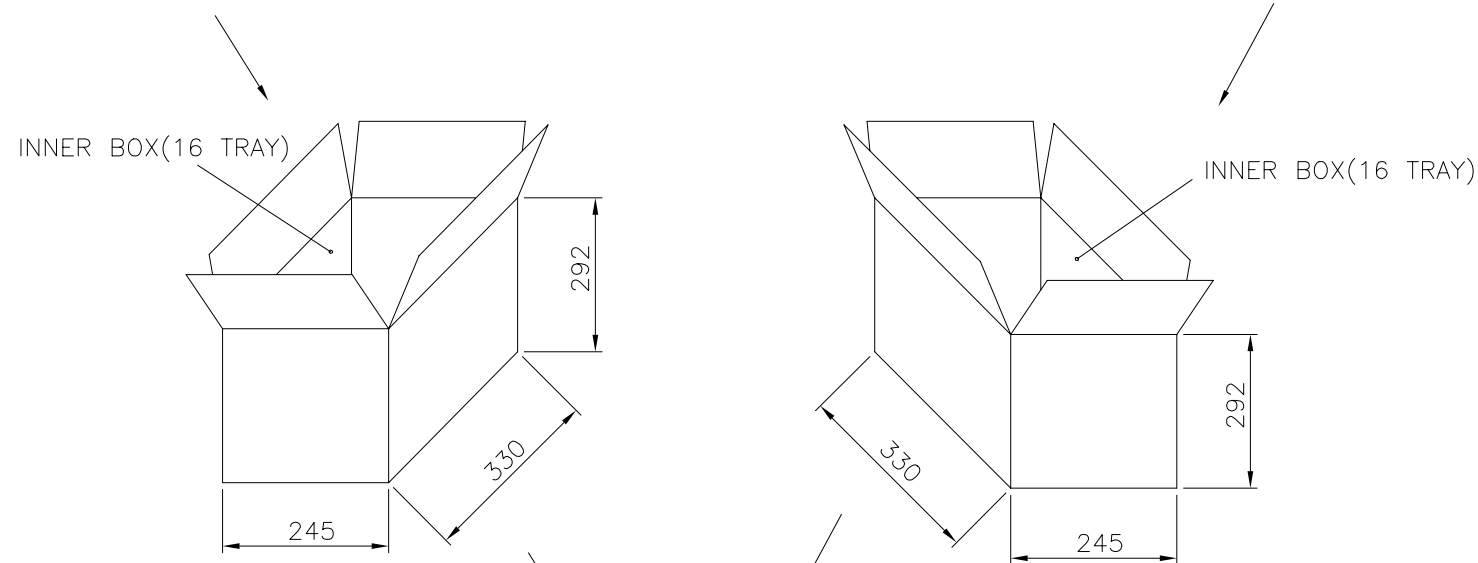
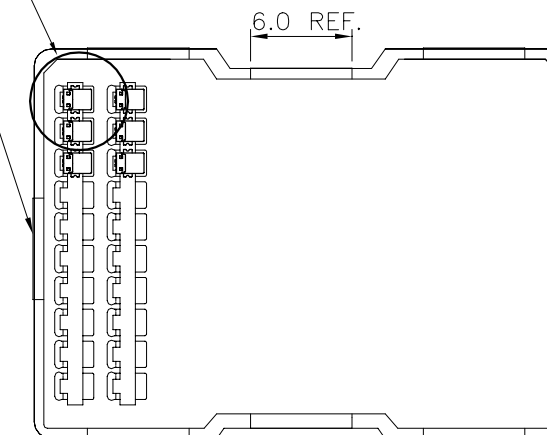
APVD

SEE SHEET 1.

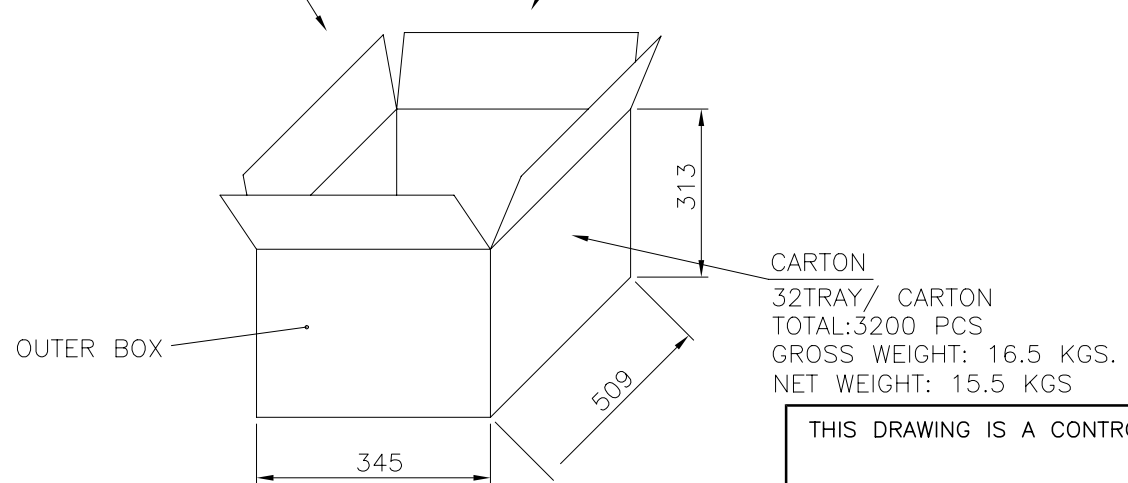


USE THE TAPE TO FIX THE TRAY
8 PLC

VIEW A



VIEW A



CARTON
32TRAY/ CARTON
TOTAL:3200 PCS
GROSS WEIGHT: 16.5 KGS.
NET WEIGHT: 15.5 KGS

THIS DRAWING IS A CONTROLLED DOCUMENT.		DWN	TE Connectivity	
		CHK		
DIMENSIONS: MM		APVD	NAME	
		PRODUCT SPEC	USB CONNECTOR, SERIES B, 4 POSITIONS, R/A, SMT TYPE, WITH REAR SHELL	
		APPLICATION SPEC		
MATERIAL		WEIGHT	SIZE	CAGE CODE
FINISH			A3	00779
		CUSTOMER DRAWING	DRAWING NO	RESTRICTED TO
			C=1734346	
		SCALE	SHEET	REV
			2 of 3	D

THIS DRAWING IS UNPUBLISHED.

RELEASED FOR PUBLICATION

AUG ,2006.

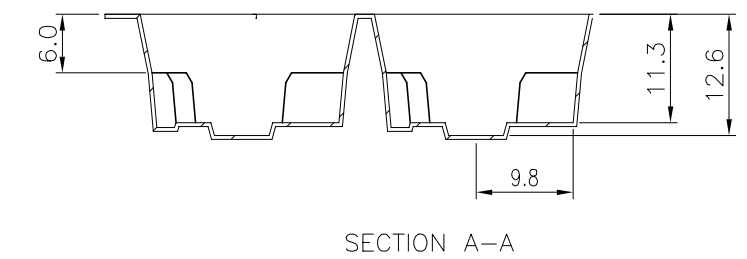
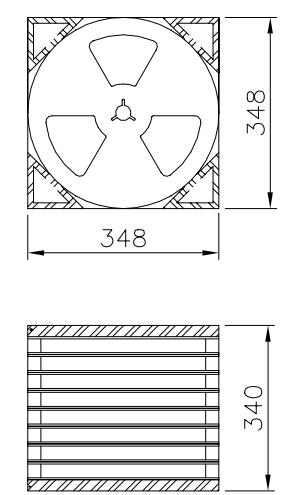
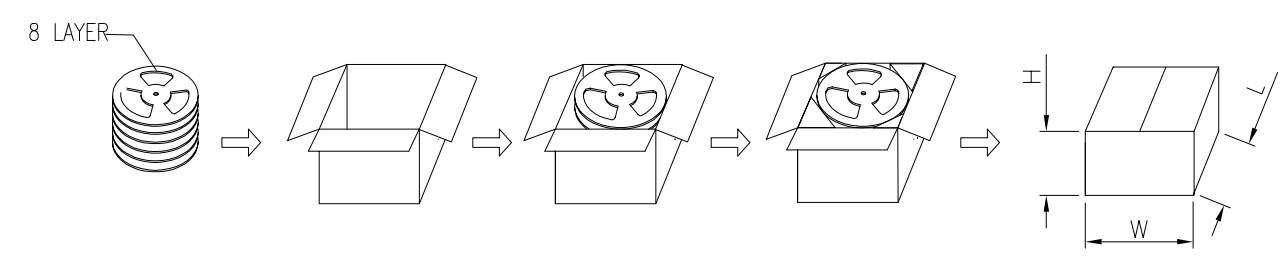
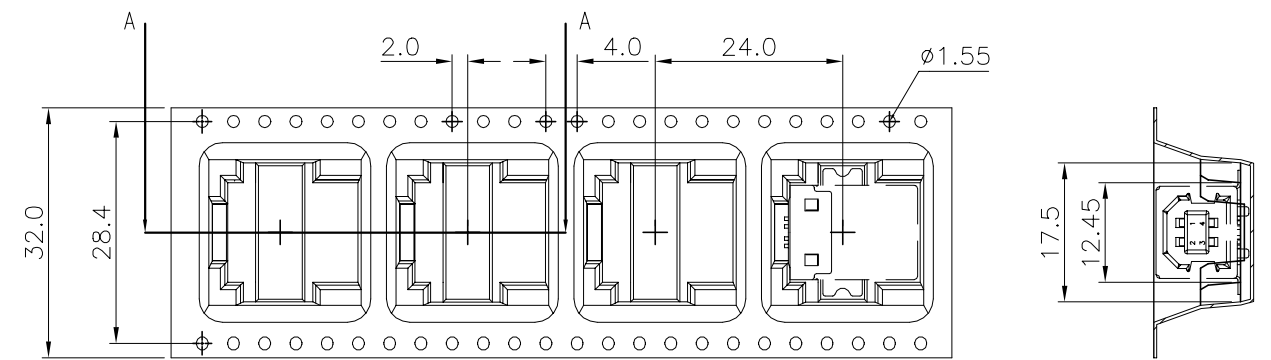
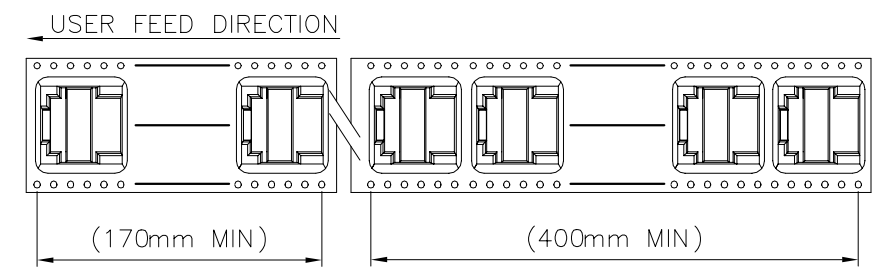
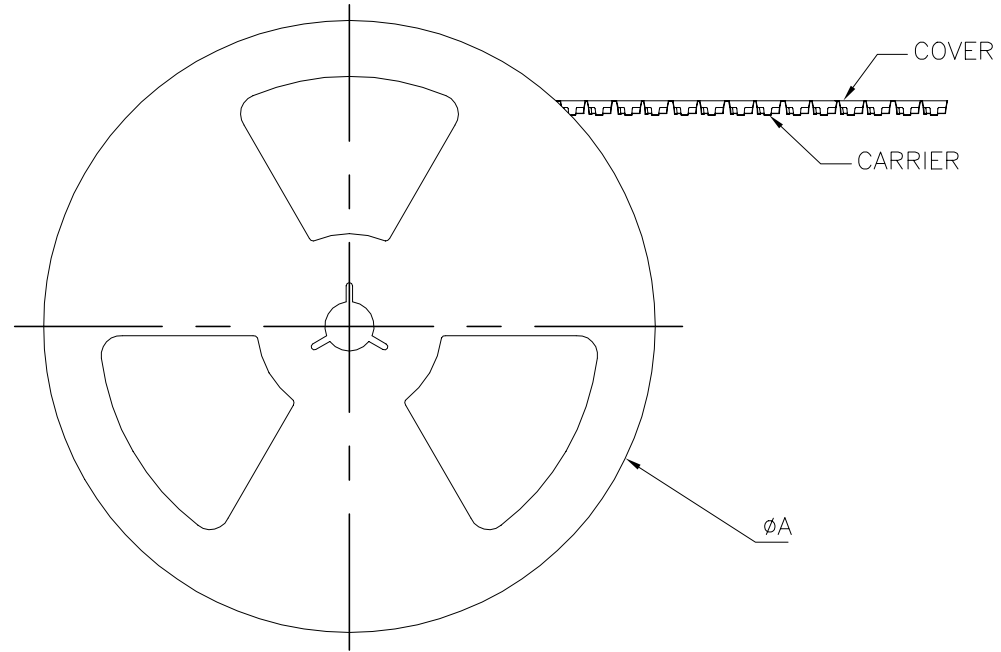
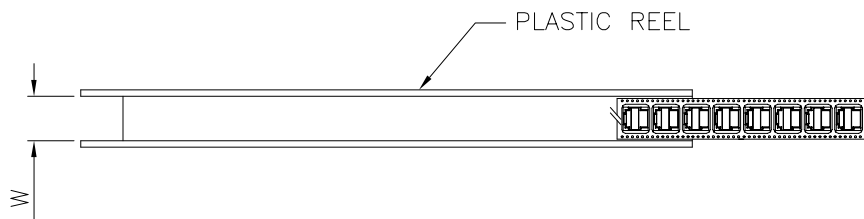
© COPYRIGHT 2009 BY TYCO ELECTRONICS CORPORATION. ALL RIGHTS RESERVED.

LOC DW

DIST

REVISIONS

P	LTR	DESCRIPTION	DATE	DWN	APVD
		SEE SHEET 1.			



- NOTE:
- MATERIAL:
EMBOSSED CARRIER :PS .
COVER TAPE :PET.
SHIPPING CARTON : CORRUGATED FIBERBOARD.
 - DIMENSION:
REEL : W=32, phi A=330mm.
SHIPPING CARTON : L=348, W=348, H=340mm.
 - QUANTITY:
PRIMARY PACKING : 200 PCS/REEL.
SECONDARY PACKING : 8 REEL/CARTON(1,600PCS).
 - WEIGHT:
NET WEIGHT : 9.5kg.
GROSS WEIGHT : 10.5kg.

THIS DRAWING IS A CONTROLLED DOCUMENT.		DWN																
		CHK																
DIMENSIONS: MM		APVD	NAME															
		PRODUCT SPEC	USB CONNECTOR, SERIES B, 4 POSITIONS, R/A, SMT TYPE, WITH REAR SHELL															
TOLERANCES UNLESS OTHERWISE SPECIFIED:		APPLICATION SPEC	SIZE	CAGE CODE	DRAWING NO	RESTRICTED TO												
<table border="0"> <tr><td>0 PLC</td><td>± -</td></tr> <tr><td>1 PLC</td><td>± -</td></tr> <tr><td>2 PLC</td><td>± -</td></tr> <tr><td>3 PLC</td><td>± -</td></tr> <tr><td>4 PLC</td><td>± -</td></tr> <tr><td>ANGLES</td><td>± -</td></tr> </table>		0 PLC	± -	1 PLC	± -	2 PLC	± -	3 PLC	± -	4 PLC	± -	ANGLES	± -	WEIGHT	A3	00779	C=1734346	
0 PLC	± -																	
1 PLC	± -																	
2 PLC	± -																	
3 PLC	± -																	
4 PLC	± -																	
ANGLES	± -																	
MATERIAL		CUSTOMER DRAWING	SCALE	SHEET	3 of 3	REV D												