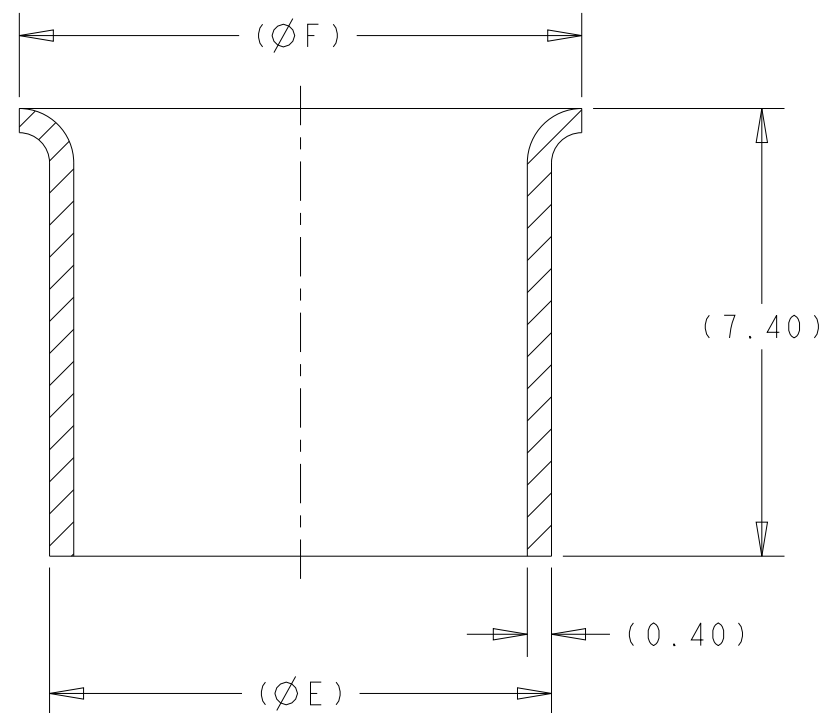
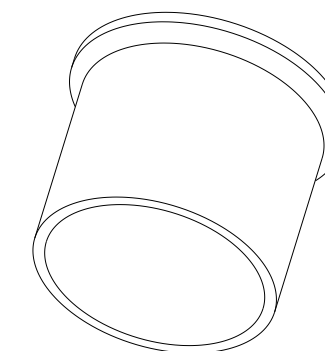


P	LTR	DESCRIPTION	DATE	DWN	APVD
A1		ECO-10-022743	05NOV2010	DR	DR
A2		ECO-11-024207	02DEC2011	DR	DR
A3		ECO-13-012771	08AUG2013	DR	DR
A4		ECR-22-148725	11AUG2022	SM	SS




- 1 MATERIAL 1:  
TYPE: COPPER ALLOY
- 2 MATERIAL 2:  
TYPE: ALTERNATE COPPER ALLOY, NO ANNEALING
- 3 FINISH:  
UNDERPLATE TYPE: NICKEL  
TOP PLATE TYPE: TIN
- 4 FINISH: BARE
- 5. PARTS MUST BE FREE OF EXCESSIVE BURRS, CRACKS, OR OTHER VISUAL IMPERFECTIONS THAT MAY AFFECT FIT FORM OR FUNCTION



SCALE 4:1

2	4	11.3	10.30	0.89g	A	1-1587723-3
1	3	11.3	10.30	0.89g	A	1587723-3
2	4	10.3	9.30	0.80g	A	1-1587723-2
1	3	10.3	9.30	0.80g	A	1587723-2
2	4	9.3	8.30	0.68g	A	1-1587723-1
1	3	9.3	8.30	0.68g	A	1587723-1
MATERIAL	FINISH	F	E	WEIGHT	REV	PART NO

THIS DRAWING IS A CONTROLLED DOCUMENT.		DWN D SIMPSON 02JUN2008	 TE Connectivity		
DIMENSIONS: mm		CHK A TYLER 05JUN2008			
TOLERANCES UNLESS OTHERWISE SPECIFIED:		APVD J. BOLEWITZ 05JUN2008	NAME INNER FERRULE HVA280 MULTI-CORE		
0 PLC ± 1 PLC ±0.15 2 PLC ±0.1 3 PLC ± 4 PLC ± ANGLES ±1°		PRODUCT SPEC	RESTRICTED TO		
MATERIAL		APPLICATION SPEC	SIZE	CAGE CODE	DRAWING NO
SEE TABLE		WEIGHT SEE TABLE	A3	00779	C-1587723
FINISH SEE TABLE		CUSTOMER DRAWING	SCALE 8:1	SHEET 1 OF 1	REV A4