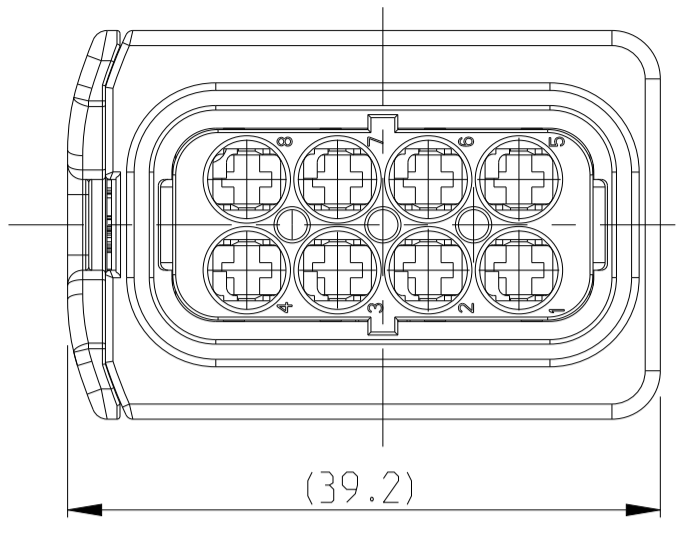


1-1670894-1 AS SHOWN
1-1670894-1 wie gezeigt

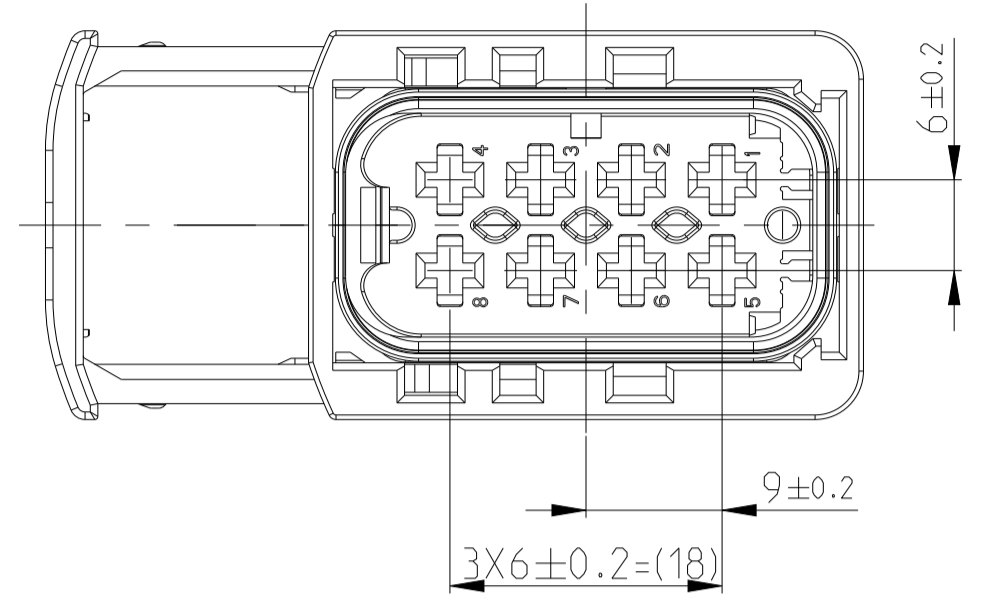
LOC	DIST	REV	LTN	DESCRIPTION	DATE	DMN	APVD
A1	-	J		DETAILS SEE PCN E-12-008813	24MAY2012	MN	SKR
		J1		ECR-15-007756	15MAY2015	SK	Krauss
		J2		DETAILS SEE PCN E-18-005554	17APR2018	HD	GILC
		J3		PCN-22-132727	16MAR2022	NS	AW

SLIDE IN LOCKED POSITION
Schieber in Verriegelungsposition

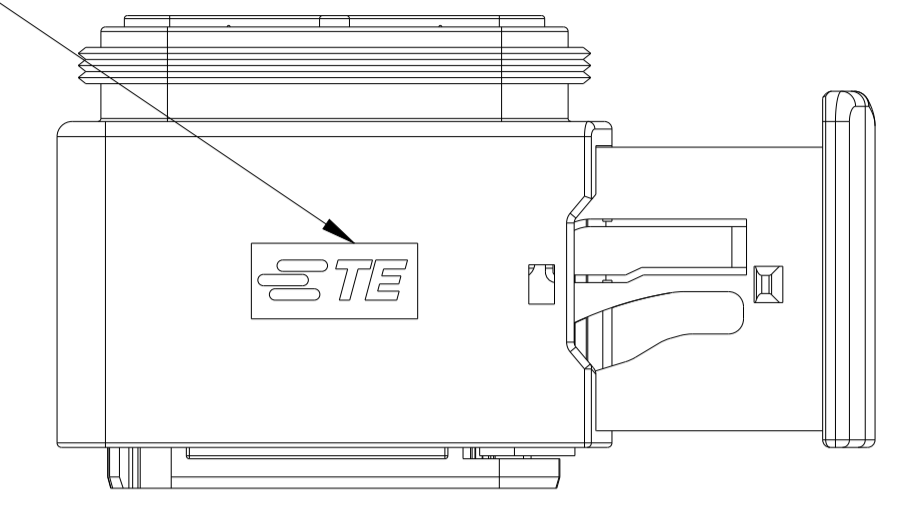
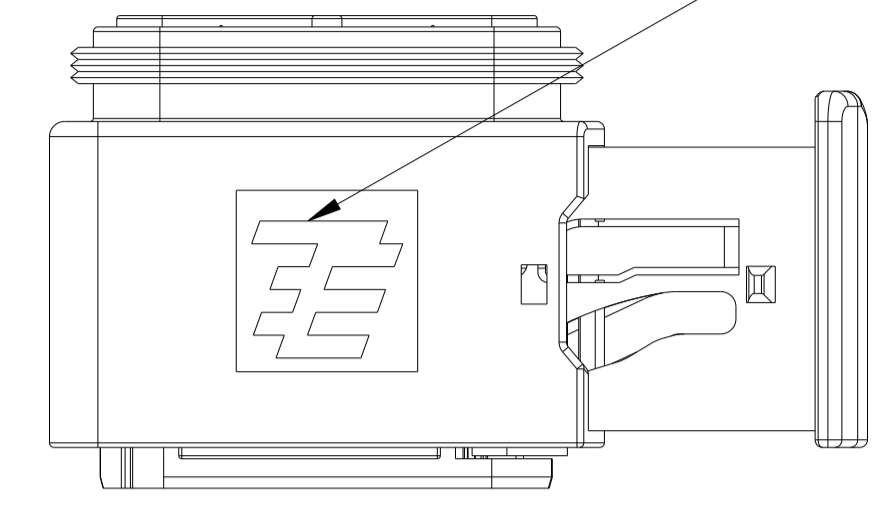


DELIVERY CONDITION:
Lieferzustand:

SECONDARY LOCKING AND SLIDE
IN PRE-LOCKED POSITION
2. Kontaktsicherung und Schieber
in Vorraststellung

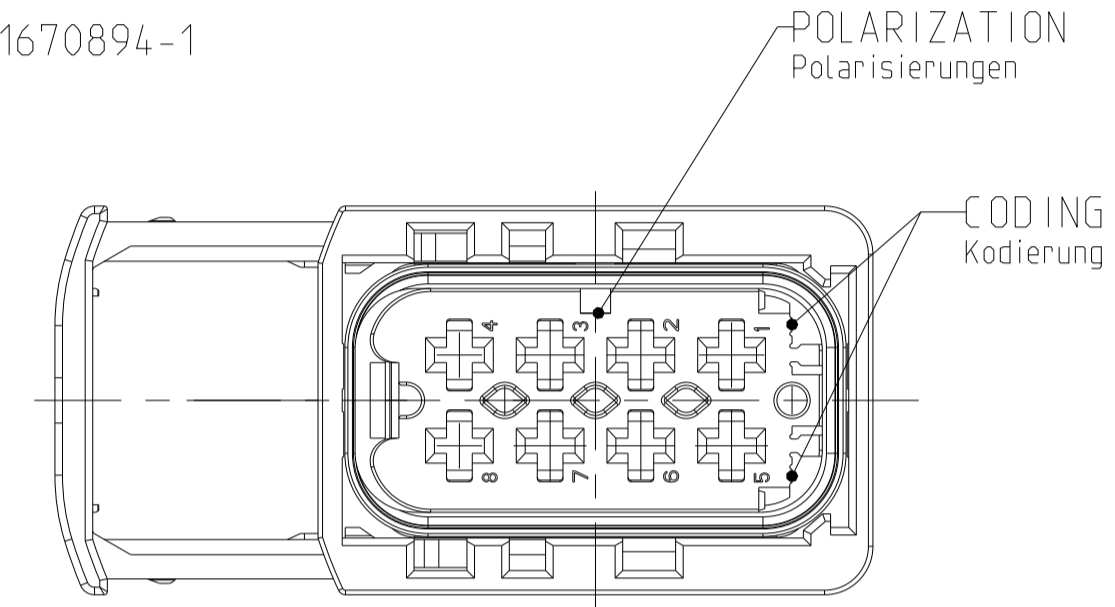


TE LOGO RELATED TO MOLDING TOOL
TE LOGO abhängig vom Spritzgusswerkzeug



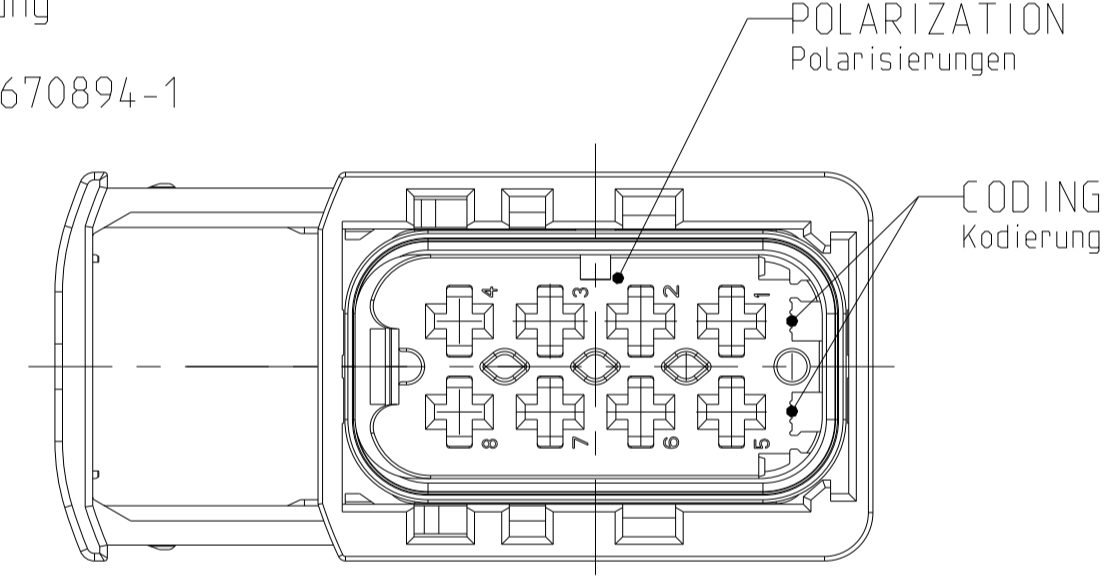
CODING A
Kodierung

PN 1-1670894-1



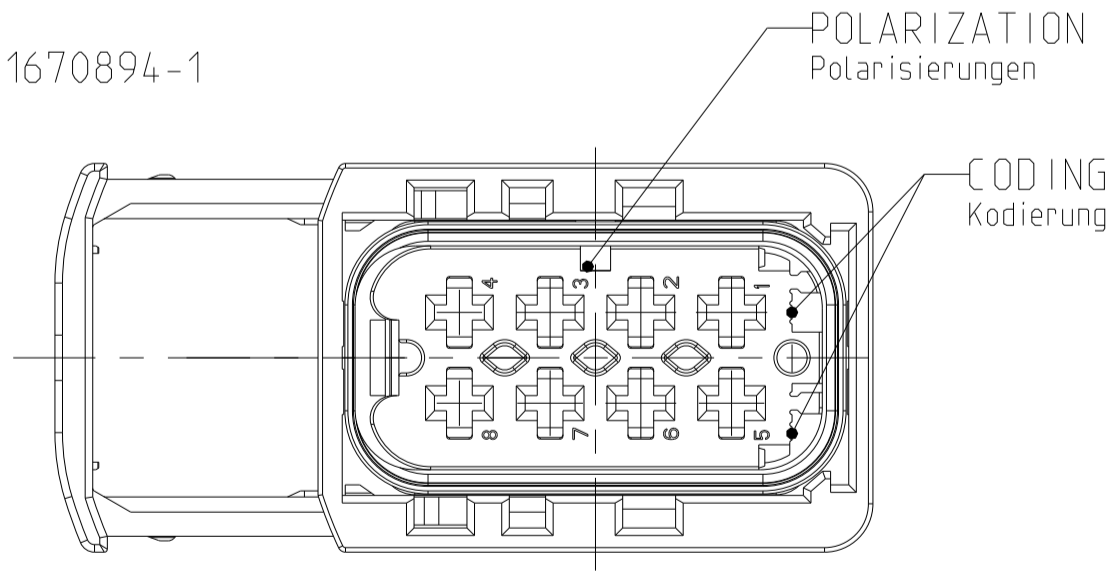
CODING B
Kodierung

PN 2-1670894-1



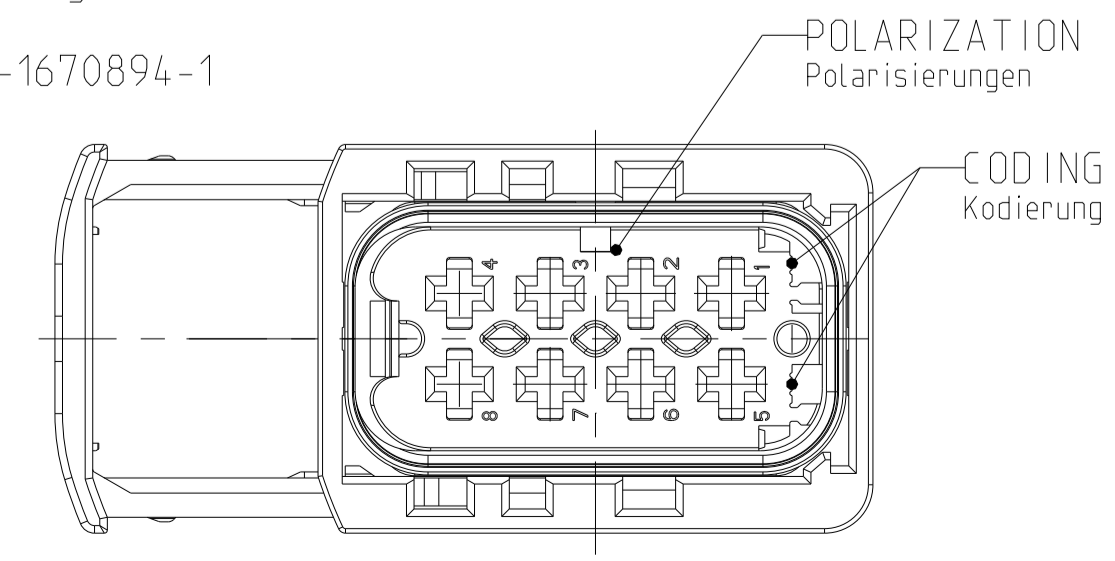
CODING C
Kodierung

PN 3-1670894-1

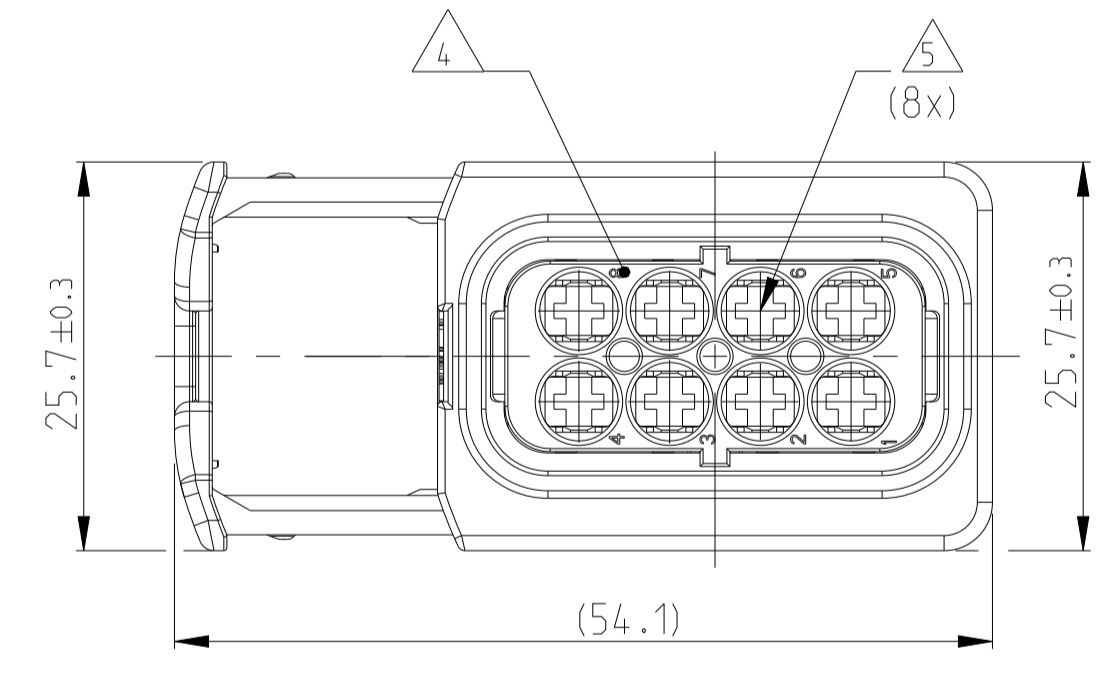
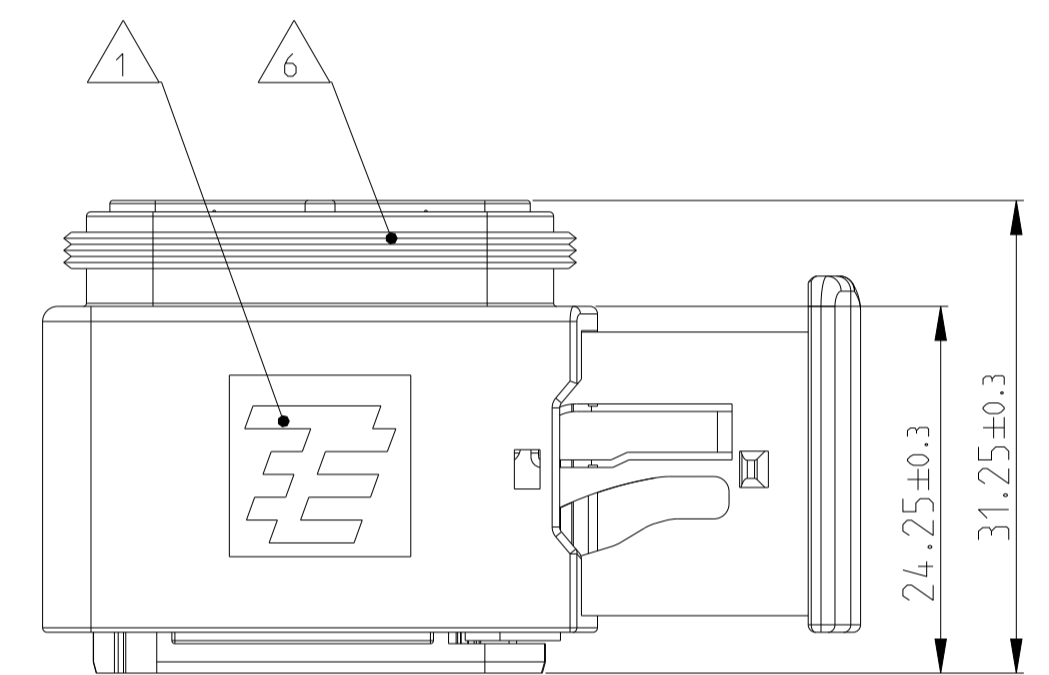
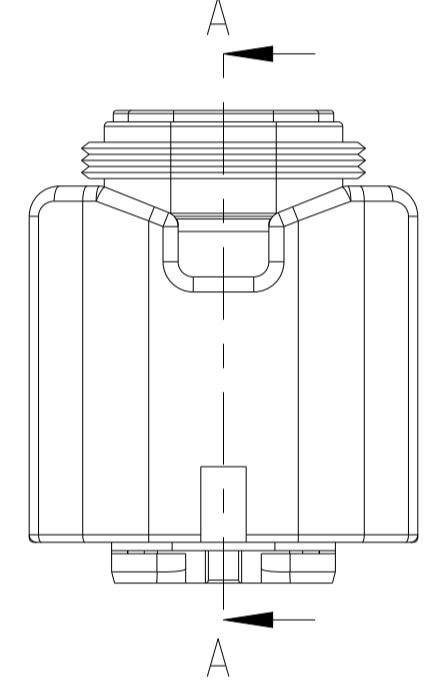
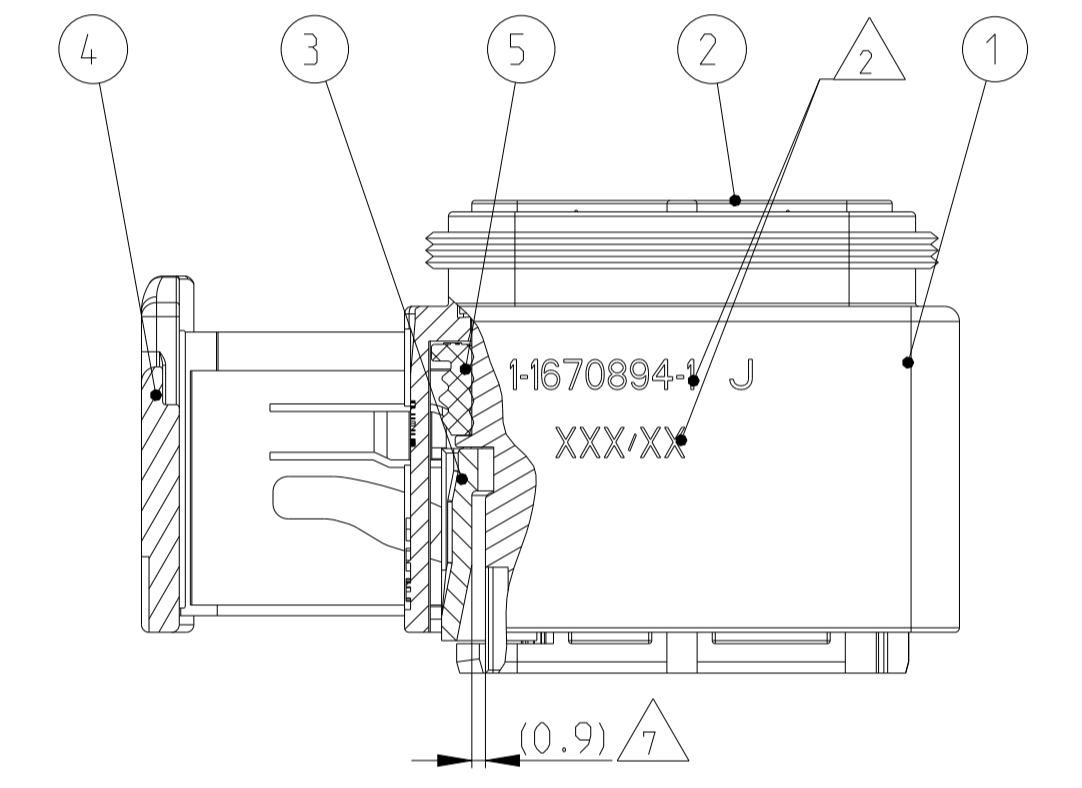


CODING D
Kodierung

PN 4-1670894-1



SECTION A-A
Schnitt



NOTES
Bemerkungen

- TE LOGO
TE Logo
- ASSY PN, PRODUCTION DATE (CALENDAR DAY/YEAR):
MARKING OPTIONAL AS LASER ENGRAVING OR
LASER WITH COLOR CHANGE
Assy PN, Produktionsdatum (Kalendertag/Jahr):
Beschriftung wahlweise als Lasergravur oder Laser mit Farbumschlag
- BULK PACKAGING IN CORRUGATED BOX
Schüttgut im Versandkarton
- CAVITY NUMBERING
Kammerbezeichnung
- CAVITIES MATED WITH AMP MCP 2.8
SEE PRODUCT GROUP DRAWING
TE NO: 1355036
MAX. WIRE SIZE: 2.5mm² FLR (AWG 12 TXL)
Kontaktkammern passend fuer AMP MCP 2.8
siehe Produktgruppenzeichnung
TE Nr: 1355036
max. Drahtgrößenbereich: 2.5mm² FLR (AWG 12 TXL)
- SUITABLE COVERS SEE DRAWING: 1563110, 1563111
Passende Kappen siehe Zeichnung: 1563110, 1563111
- SLIDING DISTANCE OF SECONDARY LOCKING
Verschiebeweg der 2. Kontaktsicherung
- FITS TO TE INTERFACE DRAWING 114-18807-1
Passend zur Ausfuhrungsvorschrift 114-18807-1
- SUITABLE COUNTERPART SEE DRAWING: 1564522
Passendes Gegenstueck siehe Zeichnung: 1564522
- MALFUNCTION CAUSED BY LACQUER IS NOT
COVERED BY TYCO ELECTRONICS WARRANTY.
Funktionsbeeinträchtigung durch Lackieren liegt nicht im
Einfluss und Gewährleistungsumfang von Tyco Electronics.

ITEM NO	DESCRIPTION	COLOUR	MATERIAL
1	RECEPTACLE HOUSING	BLACK	PBT-GF30 / V-0
2	BPSD. CAVITY BLOCK, CODE, 'A'	BLACK	PBT-GF30 / V-0
2	BPSD. CAVITY BLOCK, CODE, 'C'	GREEN	PBT-GF30 / V-0
2	BPSD. CAVITY BLOCK, CODE, 'C'	GREEN	PBT-GF30 / V-0
2	BPSD. CAVITY BLOCK, CODE, 'D'	BLUE	PBT-GF30 / V-0
3	BPSD. CAVITY BLOCK, CODE, 'D'	YELLOW	PBT-GF30 / V-0
4	U-SLIDE	YELLOW	PBT-GF30 / V-0
5	SEAL	WHITE	MVO

TE ORDER-NO.	REV.	NO.OF POS.	QTY	CODE	COLOR OF CAVITY BLOCK	QUANTITY	ITEM NO	DESCRIPTION
TE Bestell-Nr.		Polzahl	Stueck	Kodierung	Farbe des Kammerblocks	Stueck	NO ASSY	Beschreibung
1-1670894-1	J	8	1	D	BLUE	1	4	8POS. AMP MCP2.8 REC HSG. ASSY
3-1670894-1	J	8	1	C	GREEN	1	3	8pos. AMP MCP2.8 Buchsengehäuse
2-1670894-1	J	8	1	B	GREY	1	2	HEAVY DUTY SEALED CONNECTOR SERIES - GROUP D
1-1670894-1	J	8	1	A	BLACK	1	1	

THIS DRAWING IS A CONTROLLED DOCUMENT.		DMN	11FEB2009		TE Connectivity																						
OTHERS ARE UNCONTROLLED AND NOT TO BE USED FOR PRODUCTION.		CHK	12FEB2009																								
DIMENSIONS: MILLIMETERS		APVD	12FEB2009	NAME: J.Grandzow																							
TOLERANCES UNLESS OTHERWISE SPECIFIED:		<table border="1"> <tr> <td>1</td> <td>±0.1</td> </tr> <tr> <td>2</td> <td>±0.05</td> </tr> <tr> <td>3</td> <td>±0.02</td> </tr> <tr> <td>4</td> <td>±0.01</td> </tr> <tr> <td>5</td> <td>±0.005</td> </tr> </table>		1	±0.1	2	±0.05	3	±0.02	4	±0.01	5	±0.005	<table border="1"> <tr> <td>DATE</td> <td>11FEB2009</td> </tr> <tr> <td>BY</td> <td>J.Grandzow</td> </tr> <tr> <td>CHK</td> <td>J.Grandzow</td> </tr> <tr> <td>APVD</td> <td>J.Grandzow</td> </tr> </table>		DATE	11FEB2009	BY	J.Grandzow	CHK	J.Grandzow	APVD	J.Grandzow				
1	±0.1																										
2	±0.05																										
3	±0.02																										
4	±0.01																										
5	±0.005																										
DATE	11FEB2009																										
BY	J.Grandzow																										
CHK	J.Grandzow																										
APVD	J.Grandzow																										
FINISHES UNLESS OTHERWISE SPECIFIED:		<table border="1"> <tr> <td>1</td> <td>PLC</td> </tr> <tr> <td>2</td> <td>PLC</td> </tr> <tr> <td>3</td> <td>PLC</td> </tr> <tr> <td>4</td> <td>PLC</td> </tr> <tr> <td>5</td> <td>PLC</td> </tr> </table>		1	PLC	2	PLC	3	PLC	4	PLC	5	PLC	<table border="1"> <tr> <td>NAME</td> <td>8POS. AMP MCP2.8 REC HSG. ASSY</td> </tr> <tr> <td>PRODUCT SPEC</td> <td>8pos. AMP MCP2.8 Buchsengehäuse</td> </tr> <tr> <td>PRODUCT SPEC</td> <td>HEAVY DUTY SEALED CONNECTOR SERIES - GROUP D</td> </tr> <tr> <td>APPLICATION SPEC</td> <td></td> </tr> <tr> <td>VERARBEITUNGSPEZ.</td> <td></td> </tr> <tr> <td>ANLEGE/ANLEGE-NR.</td> <td>114-18756</td> </tr> </table>		NAME	8POS. AMP MCP2.8 REC HSG. ASSY	PRODUCT SPEC	8pos. AMP MCP2.8 Buchsengehäuse	PRODUCT SPEC	HEAVY DUTY SEALED CONNECTOR SERIES - GROUP D	APPLICATION SPEC		VERARBEITUNGSPEZ.		ANLEGE/ANLEGE-NR.	114-18756
1	PLC																										
2	PLC																										
3	PLC																										
4	PLC																										
5	PLC																										
NAME	8POS. AMP MCP2.8 REC HSG. ASSY																										
PRODUCT SPEC	8pos. AMP MCP2.8 Buchsengehäuse																										
PRODUCT SPEC	HEAVY DUTY SEALED CONNECTOR SERIES - GROUP D																										
APPLICATION SPEC																											
VERARBEITUNGSPEZ.																											
ANLEGE/ANLEGE-NR.	114-18756																										
MATERIAL: SEE TABLE		WEIGHT	23.5 g	<table border="1"> <tr> <td>SIZE</td> <td>A1</td> </tr> <tr> <td>CAGE CODE</td> <td>00779</td> </tr> <tr> <td>DRAWING NO.</td> <td>1-1670894</td> </tr> <tr> <td>SCALE</td> <td>2:1</td> </tr> <tr> <td>SHEET</td> <td>1</td> </tr> <tr> <td>OF</td> <td>1</td> </tr> <tr> <td>REV</td> <td>J3</td> </tr> </table>		SIZE	A1	CAGE CODE	00779	DRAWING NO.	1-1670894	SCALE	2:1	SHEET	1	OF	1	REV	J3								
SIZE	A1																										
CAGE CODE	00779																										
DRAWING NO.	1-1670894																										
SCALE	2:1																										
SHEET	1																										
OF	1																										
REV	J3																										

