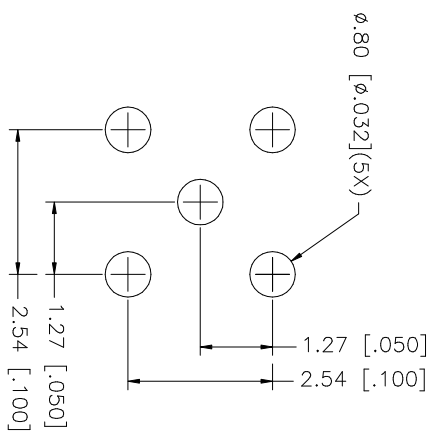
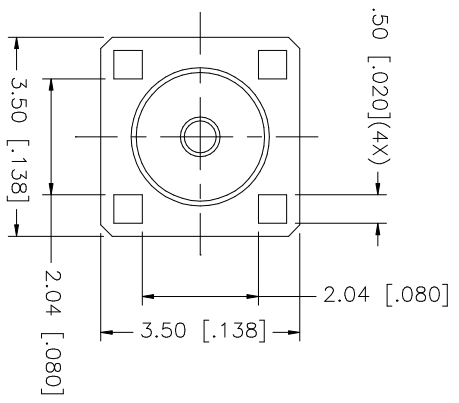
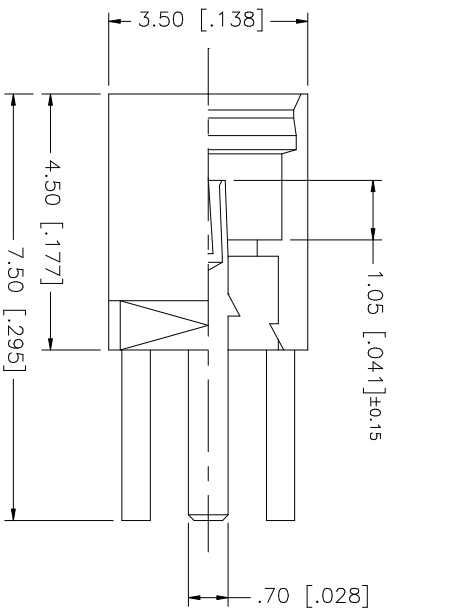


REV.	DATE	DESCRIPTION
NC	03/12/03	INITIAL RELEASE



PCB MOUNTING HOLES

8																			
7																			
6																			
5																			
4																			
3	CONTACT PIN	BER. COPPER	GOLD	1															
2	INSULATOR	TEFLON	NATURAL	1															
1	BODY	BRASS	GOLD	1															
DESCRIPTION		MATERIAL	FINISH	QTY															
					<p>UNLESS OTHERWISE SPECIFIED DIMENSIONS ARE IN MILLIMETERS; DIMENSIONS IN [] ARE IN INCHES AND FOR CUSTOMER REFERENCE ONLY.</p> <p>UNLESS OTHERWISE SPECIFIED TOLERANCES FOR MILLIMETERS ARE: 0.5 - 8mm ± 0.20mm 8 - 30mm ± 0.40mm 30 - 120mm ± 0.50mm</p> <p>UNLESS OTHERWISE SPECIFIED TOLERANCES FOR INCHES ARE: .020 - .315 = ± 0.007" .315 - 1.180 = ± 0.015" 1.180 - 4.1724 = ± 0.020"</p>														
					DO NOT SCALE DRAWING														
APPROVALS		DATE																	
DRAWN		G.R.S.		03/12/03															
CHECKED																			
ISSUED																			
SHEET		1 OF 1																	
CAD FILE		C:/262/262104.DWG																	
DWG. NO.		262104.DWG																	
REV.		NC																	
SIZE		A																	
SCALE		NA																	
MMCX P.C.B. JACK 262104																			