

修 订	标 记	修 改 描 述	签 名	日 期
REV NO	MARK	REVISION DESCRIPTION	SIGNATURE	DATE
		NEW DWG		2016-03-12

Specifications:
Electrical:

- Current Rating
1.5A/contact terminal
- Voltage Rating
30V DC
- Contact Resistance
30 milliohms MAX
- Dielectric Withstanding Voltage:
500 V AC AT Sea Level
- Insulation Resistance:
1000MEGA ohms MIN

Mechanical:

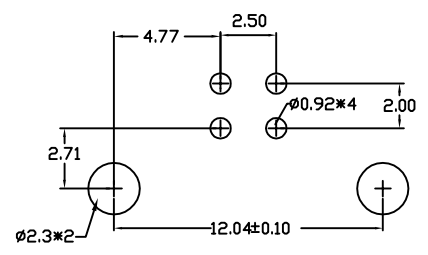
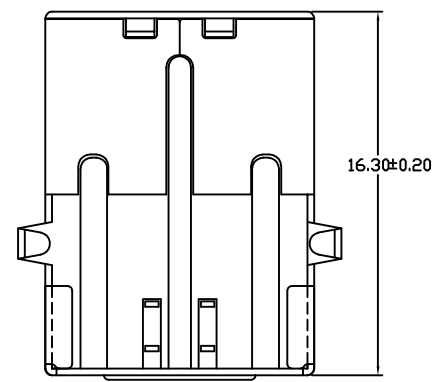
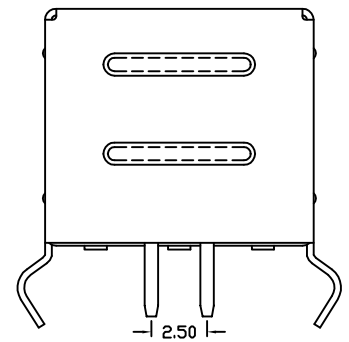
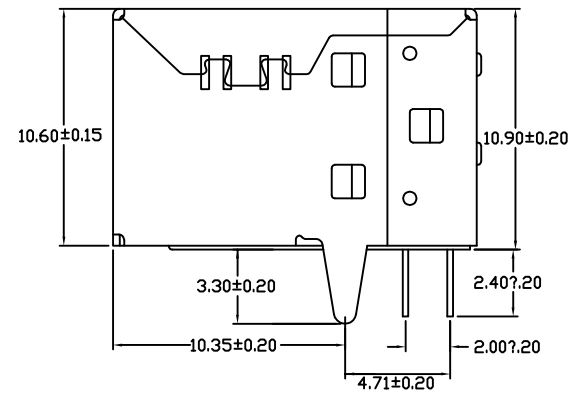
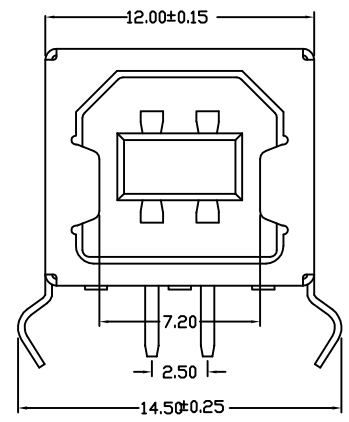
- Connector Mate and Unmate Force
Mate force:3.75kgf (MAX)
Unmate force:1.02kgf (MIN)
- Terminal Retention
1.2kgf (MIN)

Material:



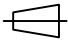
- Housing:
Hing Temperature Thermoplastics,
Ul 94V-0 PBT White
- Contact:Copper Alloy C2680
- Shell: Copper Alloy C2680/SPCC

Finish:

- Contact: Plated Gold in Mating Area;
Tin On Solder Talls
- Shell:
Nickel Plating



Recommended P.C.B Layout

		深圳市华德共创科技有限公司 Shenzhen Huade co-create Technology Co.,LTD 电话: 0755-23304126 传真: 0755-29940187						
-TOLERANCES- UNLESS OTHERWISE SPECIFIED 公差参数表		 		TITLE: 产品名称: USB BF90度弯脚黑胶				
X.X	±0.30	X.X*	±3°	APPD: 核准:	PART NO: 产品编号: USB-HXS-130DIP			
X.XX	±0.20	X.XX*	±2°	CHECK: 校对: 王建业	DATE	SCALE	UNIT	CODE NUMBER
X.XXX	±0.10	X.XXX*	±1°	DRAW: 绘图: 黄艳兰	2016-03-12	1:1	mm	A001

由 Autodesk 教育版产品制作

由 Autodesk 教育版产品制作