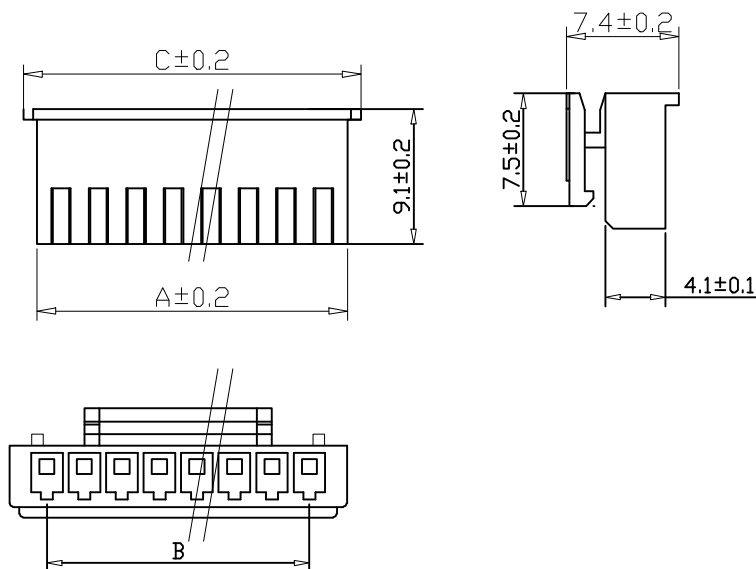


产品规格书

编号	PB131
版本号	17
产品名称	XHB-NY 线对板连接器
产品编号	

孔座



使用温度范围 (Ambient temperature Range): $-25^{\circ}\sim+85^{\circ}$

适用线规 (Applicable Wires): AWG 28#~22#

适用基板厚度 Applicable PCboard thickness): 1.6mm

额定电压 (Voltage rating): 250V AC, DC

额定电流 (Current rating): 3A

接触电阻 Contact Resistance): $<0.02\Omega$

绝缘电阻 (Insulation Resistance): $>1000M\Omega$

耐压 (Withstand Voltage): 1000V/min

材料 (Material)

1. 基座: PA66 FV2

2. 插针: 黄铜

孔位	A	B	C
2	5.7	2.5	7.5
3	8.2	5.0	10.0
4	10.7	7.5	12.5
5	13.2	10.0	15.0
6	15.7	12.5	17.5
7	18.2	15.0	20.0
8	20.7	17.5	22.5
9	23.2	20.0	25.0
10	25.7	22.5	27.5
11	28.2	25.0	30.0
12	30.7	27.5	32.5
13	33.2	30.0	35.0
14	35.7	32.5	37.5
15	38.2	35.0	40.0