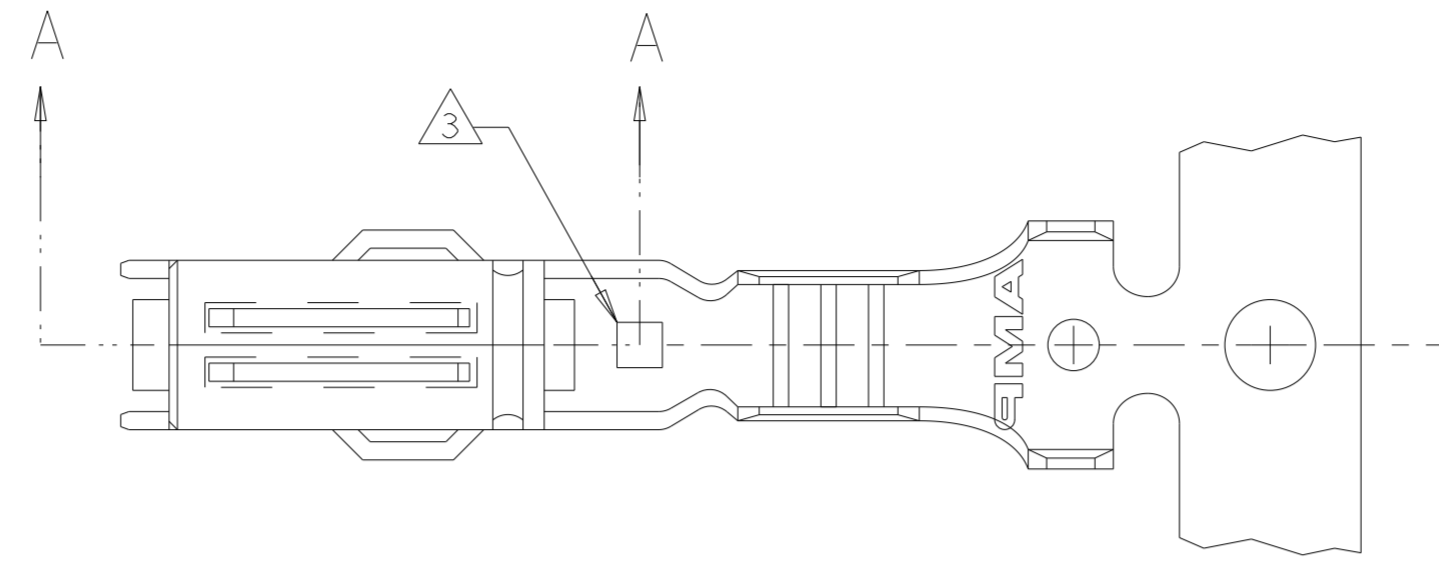
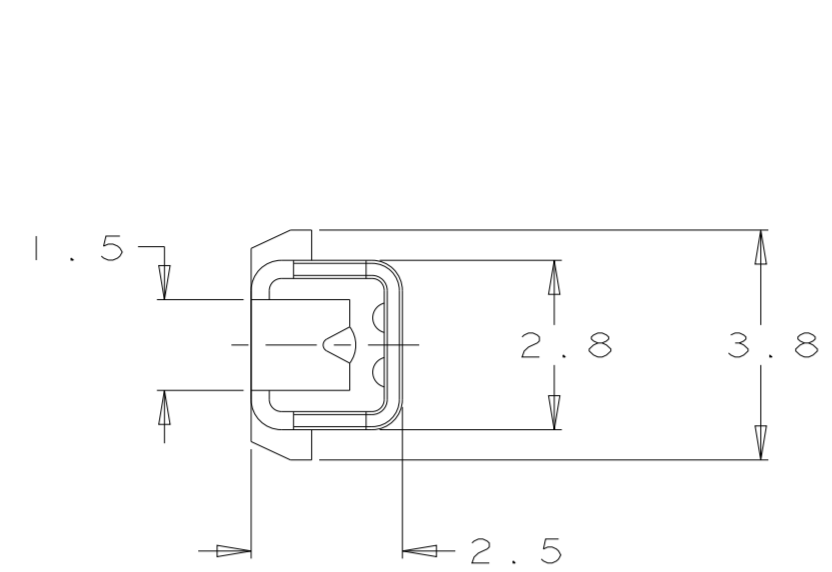


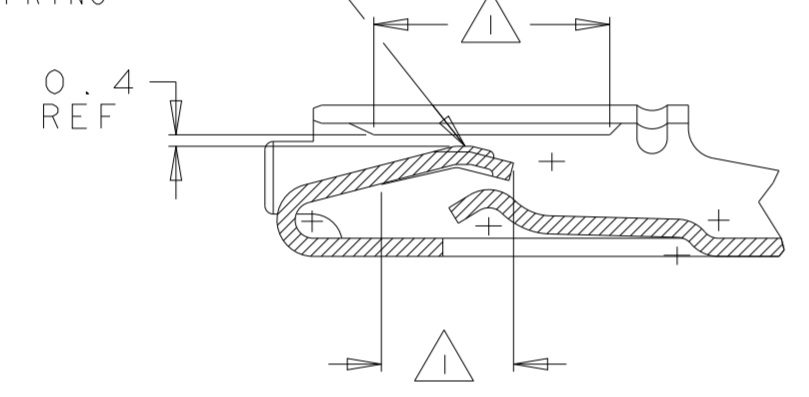
THIS DRAWING IS UNPUBLISHED. RELEASED FOR PUBLICATION
 © COPYRIGHT - BY - ALL RIGHTS RESERVED.

| REVISIONS | | | | |
|-----------|-----|---------------------------|-----------|--------|
| P | LTR | DESCRIPTION | DATE | APVD |
| H5 | | REVISED PER ECO-16-011163 | 08SEP2016 | DD AH |
| H6 | | REVISED PER ECO-17-014752 | 10OCT2017 | JMS AH |
| U | | REVISED PER ECO-21-002133 | 15APR2021 | SM AH |

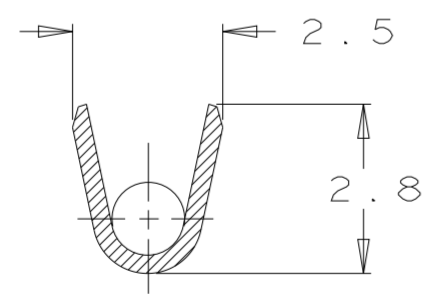
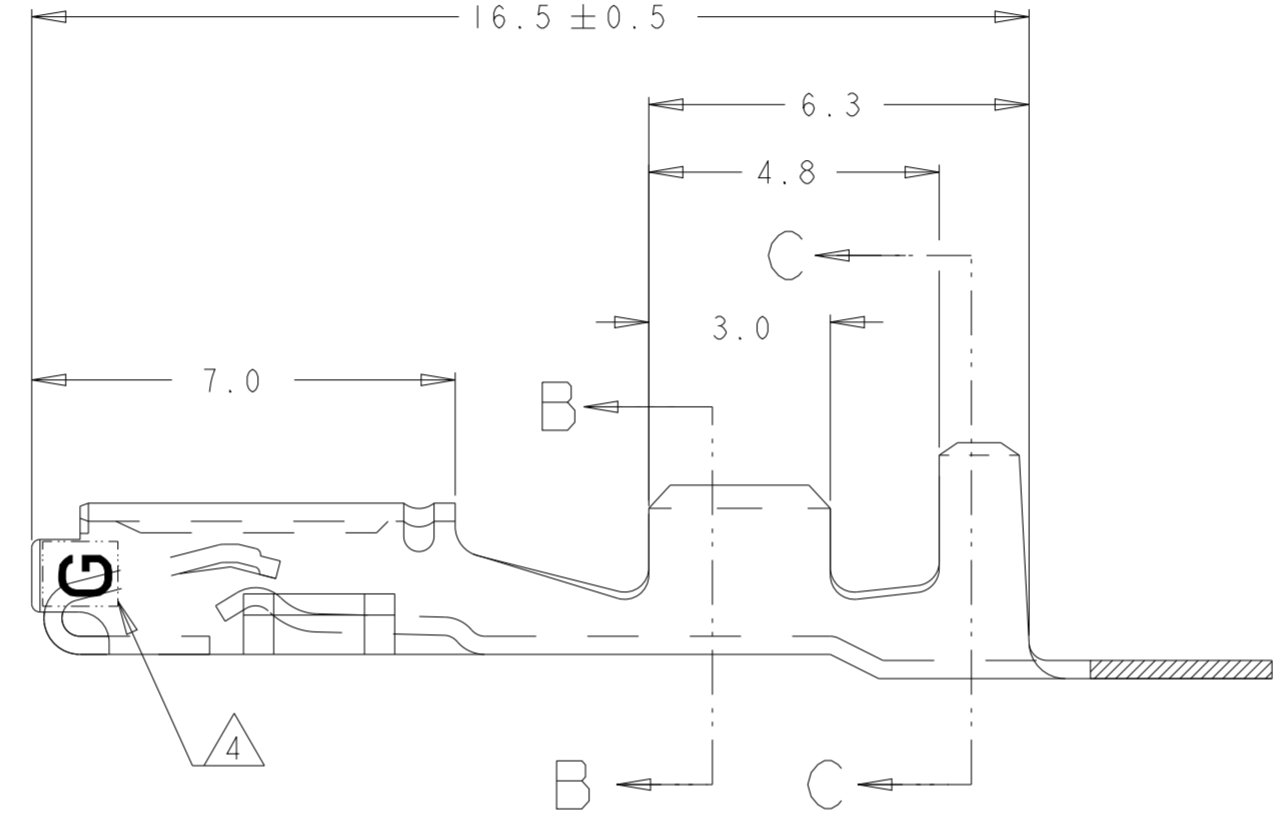


- ① 0.00076 MINIMUM THICK GOLD PLATE OVER 0.0013 MINIMUM NICKEL PLATE.
- ② 0.0008 MINIMUM THICK PRE-TIN.
- ③ 0.75 x 0.75 DIE IDENTIFICATION MARK.
- ④ FOR GOLD PLATED PART ONLY - AT LEAST ONE "G" INDICATOR MUST BE VISIBLE IN THIS LOCATION ON EITHER SIDE INDICATING GOLD PLATED CONTACT

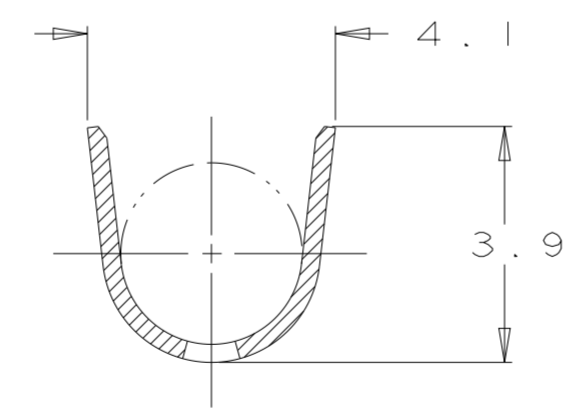
GOLD PLATING IDENTIFIED IS ON TOP SPRING



SECTION A-A



SECTION B-B



SECTION C-C

| | | | |
|--------|-------------------------------|-------------------------------|-------------|
| ② | 1.2-2.1 (SINGLE WIRE SEALING) | AVS 0.3 - 1.00mm ² | 184095-2 |
| ① | 1.2-2.1 (SINGLE WIRE SEALING) | AVS 0.3 - 1.00mm ² | 184095-1 |
| FINISH | INSULATION DIA | WIRE RANGE | PART NUMBER |

THIS DRAWING IS A CONTROLLED DOCUMENT.

| | | | |
|------------------------------|----------------------------------------|--------------------------|------------------------------------------------------------------|
| DIMENSIONS: mm | TOLERANCES UNLESS OTHERWISE SPECIFIED: | DWN: KD LYLE 9/20/94 | TE Connectivity CONTACT, RECEPTACLE, .070 TYPE (SCAT VERSION) |
| | 0 PLC ± | CHK: JP KUNKLE 9/23/94 | |
| | 1 PLC ±0.3 | APVD: JP KUNKLE 10/21/94 | |
| | 2 PLC ±0.3 | PRODUCT SPEC | |
| MATERIAL: PHOS BRZ (0.3 THK) | 3 PLC ± | APPLICATION SPEC | SIZE: A2 |
| | 4 PLC ± | WEIGHT | CAGE CODE: 00779 |
| | ANGLES ± | CUSTOMER DRAWING | DRAWING NO: C-184095 |
| | FINISH - | SCALE: 10:1 | SHEET: 1 OF 1 |
| | | | REV: U |