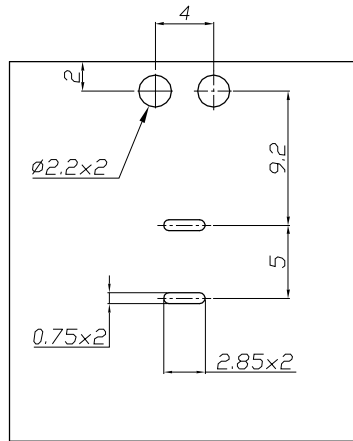
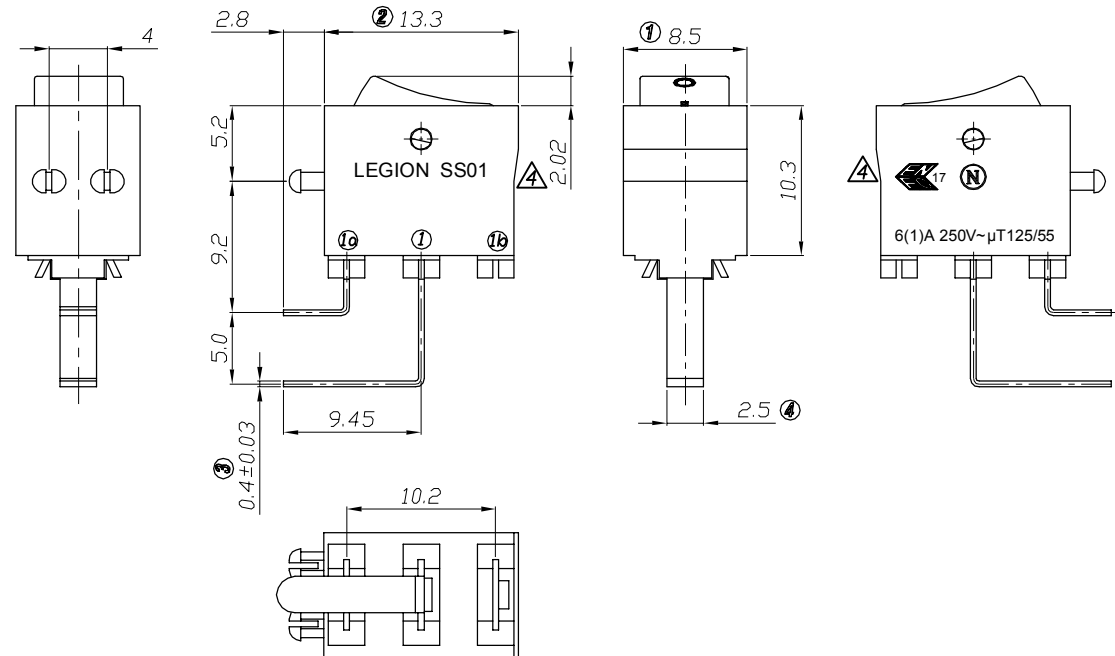
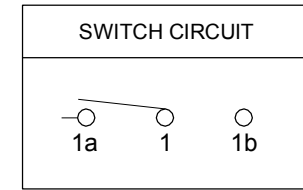
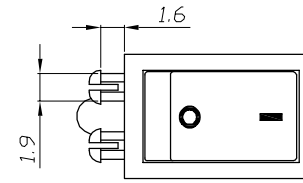


- 1.ROCKER SWITCH MODEL SS01-BBIWL-RP20-R
- 2.PCB CONNECTOR TYPE; SINGLE POLE SINGLE THROW)
- 3.RATING: 3A 125/250VAC  
6(1)A 250V~ T125/55(ENEC17;NEMKO) ⚠
- 4.CONTACT RESISTANT: <math>< 50\text{m}\Omega</math> (INITIAL)
- 5.INSULATION RESISTANCE: >100M $\Omega$   
(500VDC BETWEEN OPEN CONTACTS)
- 6.DIELECTRIC STRENGTH: 1500V 1MIN
- 7.MECHANICAL LIFE: >30000 CYCLES
- 8.ELECTRICAL LIFE: >10000 CYCLES
- 9.TEMPERATURE RISE AT THE TERMINAL: MAX. 30°C
- 10.SOLDER ABILITY OF TERMINAL: MAX350°C, 3S  
(NO PRESSURE MAY BE PLACED IN THE TERMINALS WHEN SOLDERING BY HAND)
- 11.ACTUATOR & HOUSING COLOR: BLACK
- 12.ACTUATOR PRINTING COLOR: WHITE
- 13.ALL MATERIALS ARE ROHS COMPLIANT
- 14.OPERATION FORCE:250 $\pm$ 100gf ⚠



HOUSING TYPE:PC IN PANEL



5	→	10	→	DIMENSIONAL TOLERANCES		APPROVED	CHECKED	DESIGN	DRAWN	ALL SIZE ARE IN	MM				
4	增加安规标识 2019.02.18	9	→	RANGE	TOLERANCE					SCALE	NO				
3	修改手感范围 2015.12.21	8	→	X	±0.30				LMC 2017.10.31	MAT'L	***	DRAWING NO. REV.			
2	修改开关接触电阻值范围 2015.11.27	7	→	X.X	±0.20					MATERIAL NO.	SS01-BBIWL-RP20-R			WIF119004	B0
1	修改安规额定 2014.02.20	6	→	X.XX	±0.10	LEGION ELECTRONIC & HARDWARE CO., LTD.				SS01-BBIWL-RP20-R		WIF119004		B0	
NO	DESCRIPTION	NO	DESCRIPTION	ANGLES	±1'										

4

3

2

1