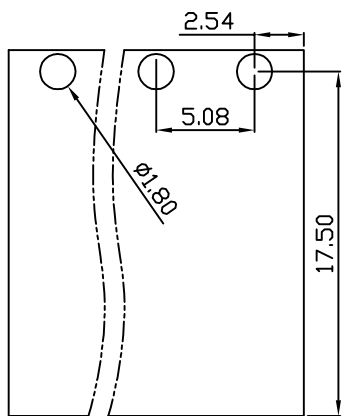
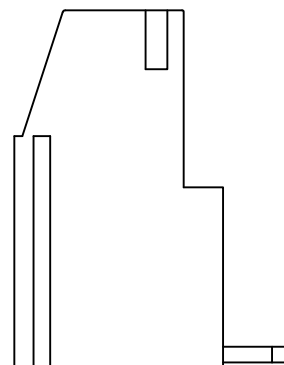
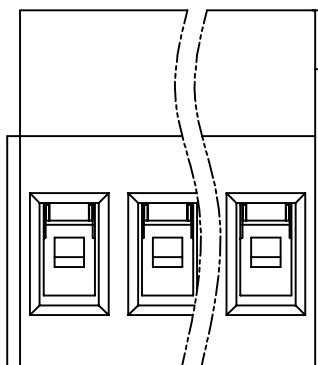
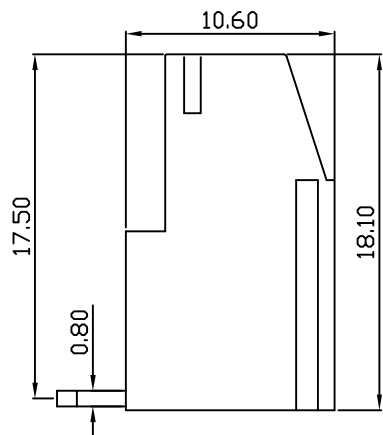
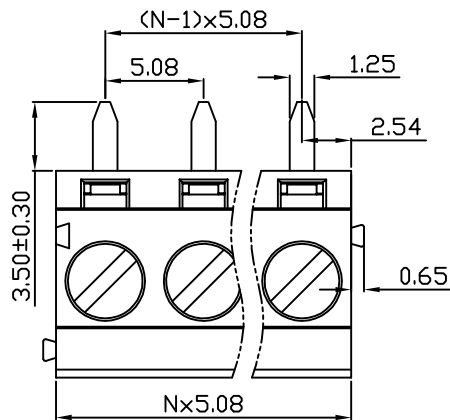


linear dimension(Tolerances Standard GB/T 14486-2008)								—	$\nabla$	$\perp$
variable range	to 6	over 6 to 10	over 10 to 30	over 30 to 60	over 60 to 100	over 100 to 160	over 160 to	to 10	over 10 to 100	over 100 to
tolerance	±0.20	±0.30	±0.50	±0.70	±1.00	±1.30	±1.60	0.10	0.30	0.60



PCB Layout



UL/CUL 技术参数	UL/CUL Technical Data			cRUus				
等级	Use Group	B	C	D				
额定电压	Rated Voltage [V]	300	-	300				
额定电流	Rated Current [A]	20	-	10				
接线范围	Wire Range	22-12						
单/多芯线	Solid/Stranded [AWG]							
耐电压	Withstanding Voltage	1600V/1Min						
IEC 技术参数	IEC Technical Data					DE		
过电压类别	Overvoltage Category	III	III	II				
污染等级	Contamination Class	3	2	2				
额定电压	Rated Voltage [V]	250	400	630				
额定电流	Rated Current [A]	24	24	24				
额定冲击电压	Impulse withstand voltagea [KV]	4	4	4				
导线截面积	Conductor cross section	2.5						
硬质/柔性导线	Solid/flexible [mm <sup>2</sup> ]							
材料	Material							
绝缘材料	Insulation Material	PA66						
阻燃等级	Imflamability	UL94V-0						
导体材料	Contact Material	铜合金 Copper alloy						
导体表面镀层	Contactive Coating	镀锡 Sn Plated						
一般参数	Other Data							
间距	Pitch [mm]	5.08						
极数	Poles [P]	02-24						
剥线长度	Stripping Length [mm]	6-7						
螺丝	Screw/扭矩 Torque(Max) [N.m]	M3/0.5						
工作温度	Operating temperatur [°C]	-40~+105						
引针尺寸	Pin Dimensions [mm]	0.80x1.10						
PCB板孔径	PCB Hole Diameter [mm]	1.80						

DB129R — 5.08 — XXP — C — S/P

(Series No.) (Pitch) (Poles)

Slotted/Phillips

(Color) : 1.(Green) 2.(Black) 3.(Blue) 4.(Clear) 5.(Gray)  
6.(Orange) 7.(Red) 8.(White) 9.(Yellow)

APPD: JTING Chen 2022.6.21  
CHKD: Duck Mao 2022.6.21  
DRFT: Steven Lu 2022.6.21

**DORABO**

宁波地博电气有限公司  
Ningbo Dorabo Electric CO., Ltd

NAME:

DB129R-5.08-XXP-C-S



SIZE: A4

mm  
(inch)

REV

T0-1

TYPE: CUSTOMER\_DRAWING

SCALE: 1:1

SHEET

1/1