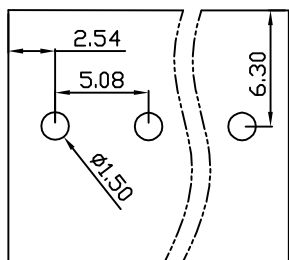
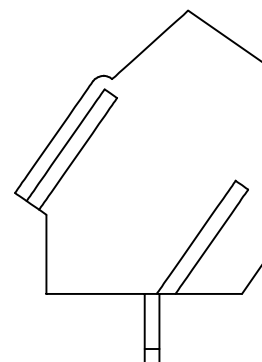
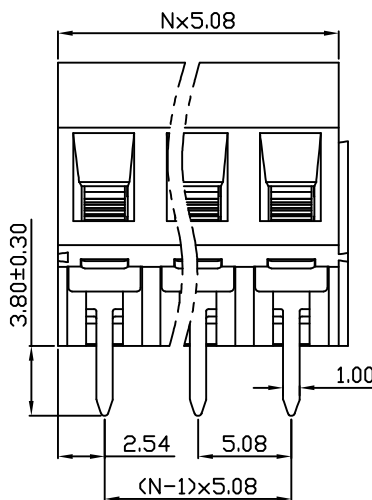
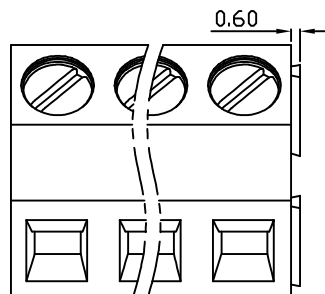
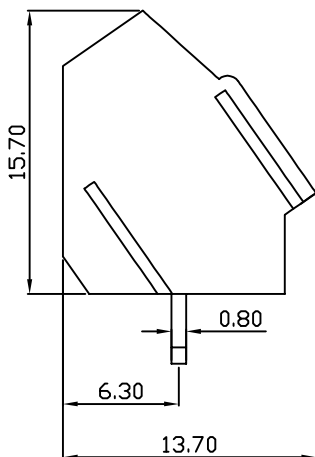


linear dimension(Tolerances Standard GB/T 14486-2008)								—	$\nabla$	$\perp$
variable range	to 6	over 6 to 10	over 10 to 30	over 30 to 60	over 60 to 100	over 100 to 160	over 160 to	to 10	over 10 to 100	over 100 to
tolerance	±0.20	±0.30	±0.50	±0.70	±1.00	±1.30	±1.60	0.10	0.30	0.60



PCB Layout



DB103 — 5.08 — XXP — C — S/P  
 (Series No.) (Pitch) (Poles) Slotted/Phillips  
 (Color) : 1.(Green) 2.(Black) 3.(Blue) 4.(Clear) 5.(Gray)  
 6.(Orange) 7.(Red) 8.(White) 9.(Yellow)

APPD: JTING Chen 2022.8.4  
 CHKD: Duck Mao 2022.8.4  
 DRFT: Steven Lu 2022.8.4

**DORABO** 宁波地博电气有限公司  
 Ningbo Dorabo Electric CO., Ltd

NAME: DB103-5.08-XXP-C-S

$\oplus$ $\triangleleft$	SIZE: A4	$\leftarrow$ mm (inch) $\rightarrow$	REV	T0-1
TYPE: CUSTOMER_DRAWING		SCALE: 1:1	SHEET	1/1

UL/CUL 技术参数	UL/CUL Technical Data					
等级 Use Group	B	C	D			
额定电压 Rated Voltage [V]	300	-	300			
额定电流 Rated Current [A]	16	-	10			
接线范围 Wire Range				24-12		
单/多芯线 Solid/Stranded [AWG]						
耐电压 Withstanding Voltage				1600V/1Min		
IEC 技术参数	IEC Technical Data					
过电压类别 Overvoltage Category	III	III	II			
污染等级 Contamination Class	3	2	2			
额定电压 Rated Voltage [V]	250	400	630			
额定电流 Rated Current [A]	24	24	24			
额定冲击电压 Impulse withstand voltagea [KV]	4	4	4			
导线截面积 Conductor cross section				2.5		
硬质/柔性导线 Solid/flexible [mm <sup>2</sup> ]						
材料 Material						
绝缘材料 Insulation Material				PA66		
阻燃等级 Inflammability				UL94V-0		
导体材料 Contact Material				铜合金 Copper alloy		
导体表面镀层 Contactive Coating				镀锡 Sn Plated		
一般参数 Other Data						
间距 Pitch [mm]				5.08		
极数 Poles [P]				02-24		
剥线长度 Stripping Length [mm]				6-7		
螺丝 Screw/扭矩 Torque(Max) [N.m]				M2.5/0.4		
工作温度 Operating temperatur [°C]				-40~+105		
引针尺寸 Pin Dimensions [mm]				0.80x1.00		
PCB板孔径 PCB Hole Diameter [mm]				1.50		