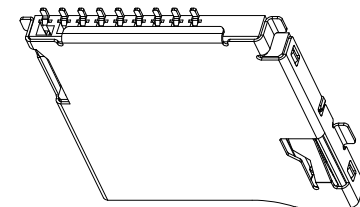
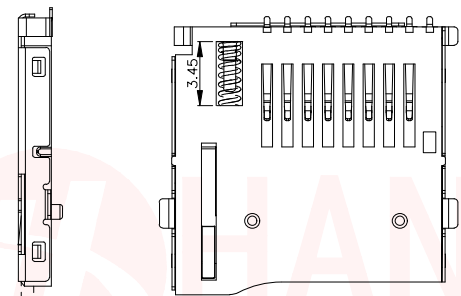
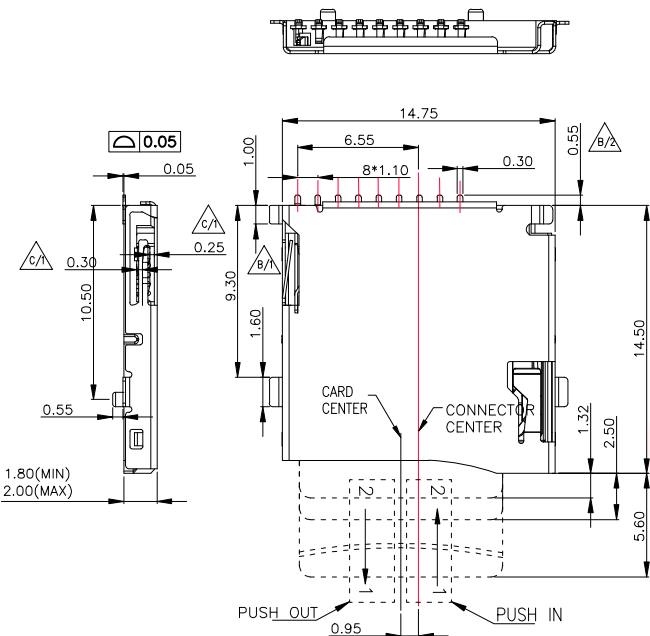
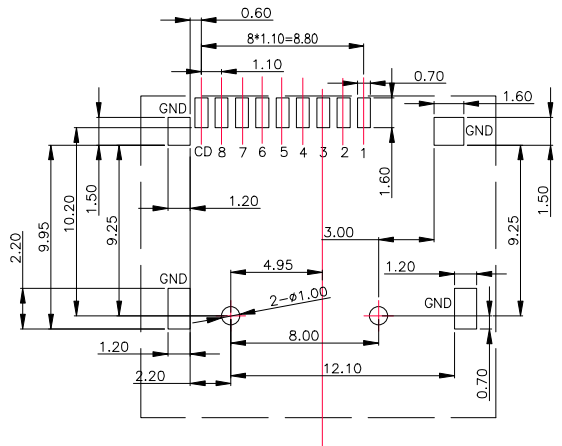




REV.	ECN NO OR DESCRIPTION	REVISED	DATE

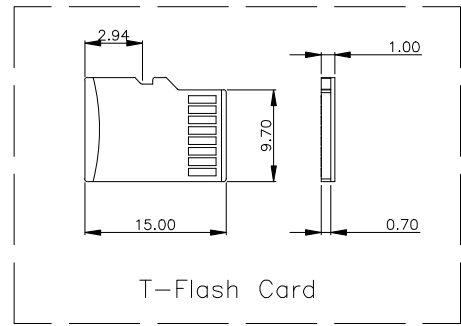


NOTES:
 1.MATERIAL:
 HOUSING: HIGH TEMPERATURE THERMOPLASTIC
 UL94V_0,COLOR:BLACK.
 CONTACT: COPPER ALLOYS.
 COVER: COPPER ALLOYS OR STEEL.
 2.PLATING:
 UNDERPLATE: NICKEL.
 CONTACT AREA: GOLD OVER NICKEL.
 SOLDER AREA: TIN OVER NICKEL.
 3.MULTIMEDIA CARD COMPATIBLE



RECOMMENDED P.C.B HOLE LAYOUT
 COMPONENT SIDE VIEW(TOLERANCE: +/-0.05)

PIN NO.	NAME	YTP E	DESCRIPTION
1	DAT2	I/O/PP	DATE LINE(BIT2)
2	CD/DAT3	I/O/PP	CARD DETECT DATE LIN(BIT3)
3	CMD	PP	COMMAND RESPONSE
4	VDD	S	SUPPLY VOLTAGE
5	CLX	I	CLOCK
6	VSS	S	SUPPLY VOLTAGE GROUND
7	DATO	I/O/PP	DATE LINE(BIT0)
8	DAT1	I/O/PP	DATE LINE(DIT1)
9	CD	CD	CD



T-Flash Card

UNLESS OTHERWISE SPECIFIED TOLERANCES

东莞市汉博电子科技有限公司
 DONGGUAN HANBO TECHNOLOGY CO., LTD

DECIMALS: X :±0.5
 X.X :±0.20
 X.XX :±0.10

TITLE T-FLASH 外焊 PUSH
 DWN xiong PART NO. TF-012-P9
 CHKD lee SCALE:1:1 UNIT: mm
 APVD wang SIZE: A4 SHEET:10F 1 REV: A4

CUSTOMER COPY